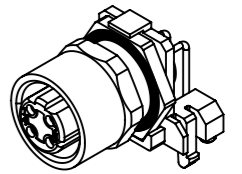
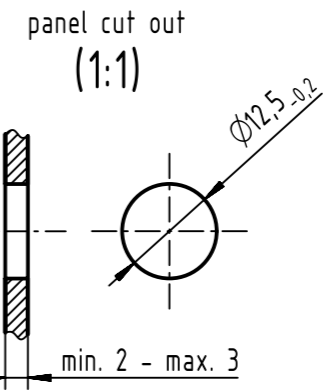
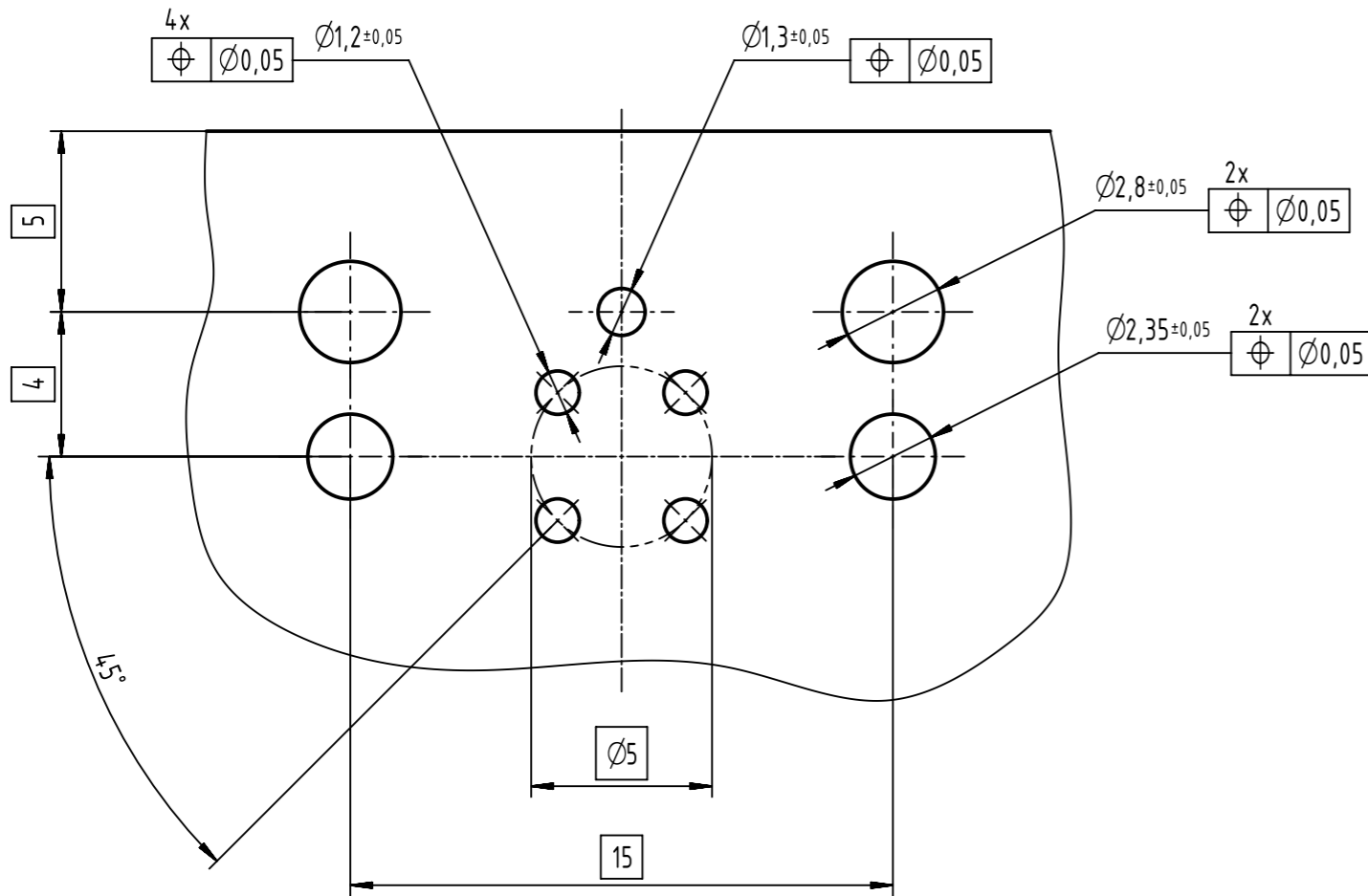


A(5:1)  
recommended PCB layout



recommended PCB thickness: 1.6mm

	All rights reserved Department EL PD	Created by EISFELD	Inspected by HAEMMERLING	Standardisation HOFFMANN	Date 2019-11-07	State Final Release	Ref. Sub.
	HARTING Electronics GmbH D-32339 Espelkamp	Title M12-PCB-THT-2PC-4P-DCOD-F-ANG		Doc-Key / ECM-Nr. 100651928/UGD/000/C 500000158906		Rev. C	Page 1/1