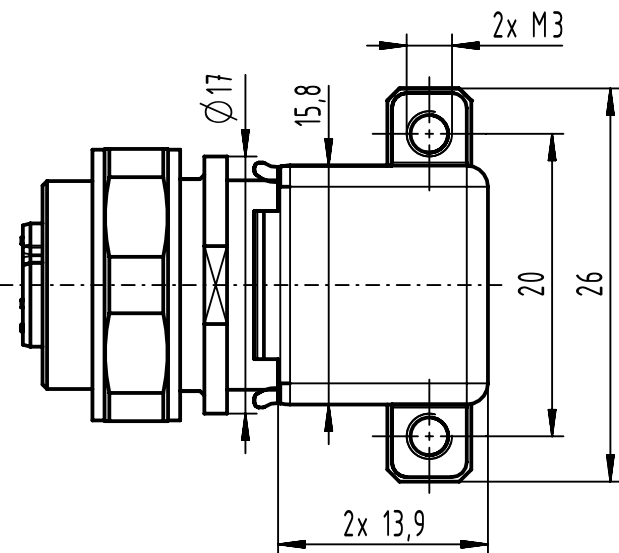


1 recommended PCB-thickness: 1.6mm



	All Dimensions in mm Original Size DIN A4	Scale 2:1	Free size tol.		Ref.
					Sub.
	All rights reserved	Created by BUSSMANN	Inspected by 104.122	Standardisation	Date 2021-09-16
	Department EL PD				State Final Release
HARTING		Title HARTING M12 PFT angled D-coded IP20			Doc-Key / ECM-Nr. 100219140/UGD/003/Q 500000202114
D-32339 Espelkamp		Type TB	Number 21033814412		Rev. Q
					Page 1/1