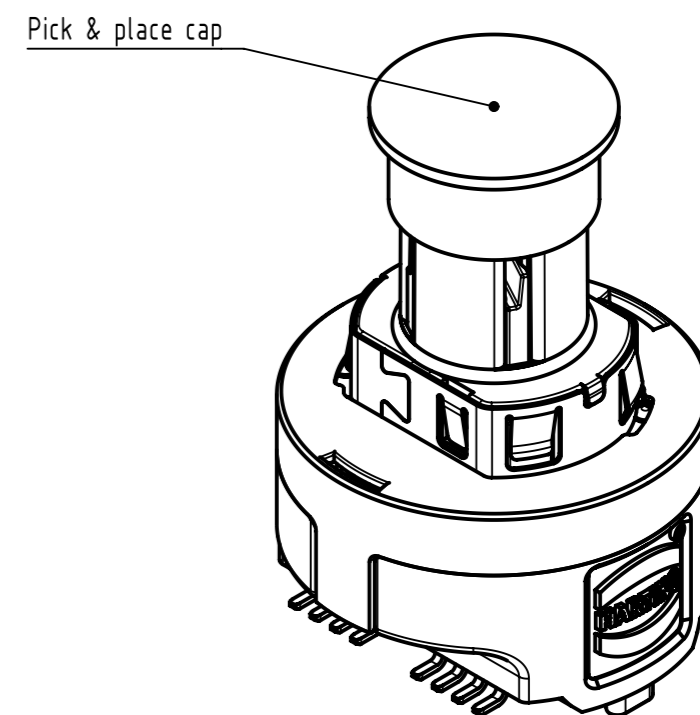
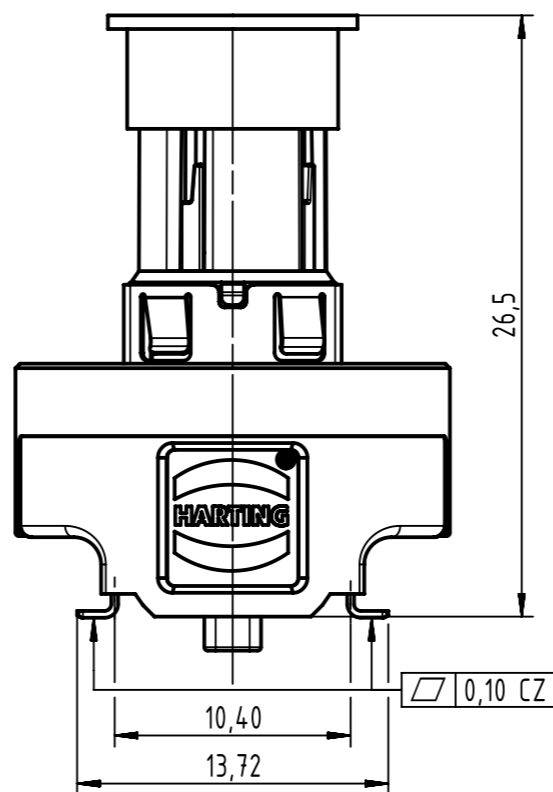
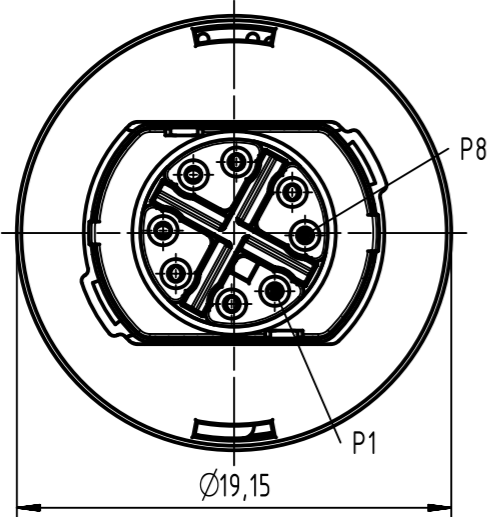


mating face based on  
IEC 61076-2-109



Further information see data sheet: 21033810103

	All Dimensions in mm Original Size DIN A3		Scale 2:1	Free size tol.		Ref.
						Sub.
	All rights reserved Department EL PD		Created by CHENSK	Inspected by CHENSK	Standardisation HOFFMANN	Date 2019-05-30
						State Final Release
HARTING Electronics GmbH D-32339 Espelkamp		Title M12 transformer recept X-coded 10G straight PoE+			Doc-Key / ECM-Nr. 100684225/UGD/002/C 500000152702	
		Type TB	Number 21033812823		Rev. C	Page 1/1