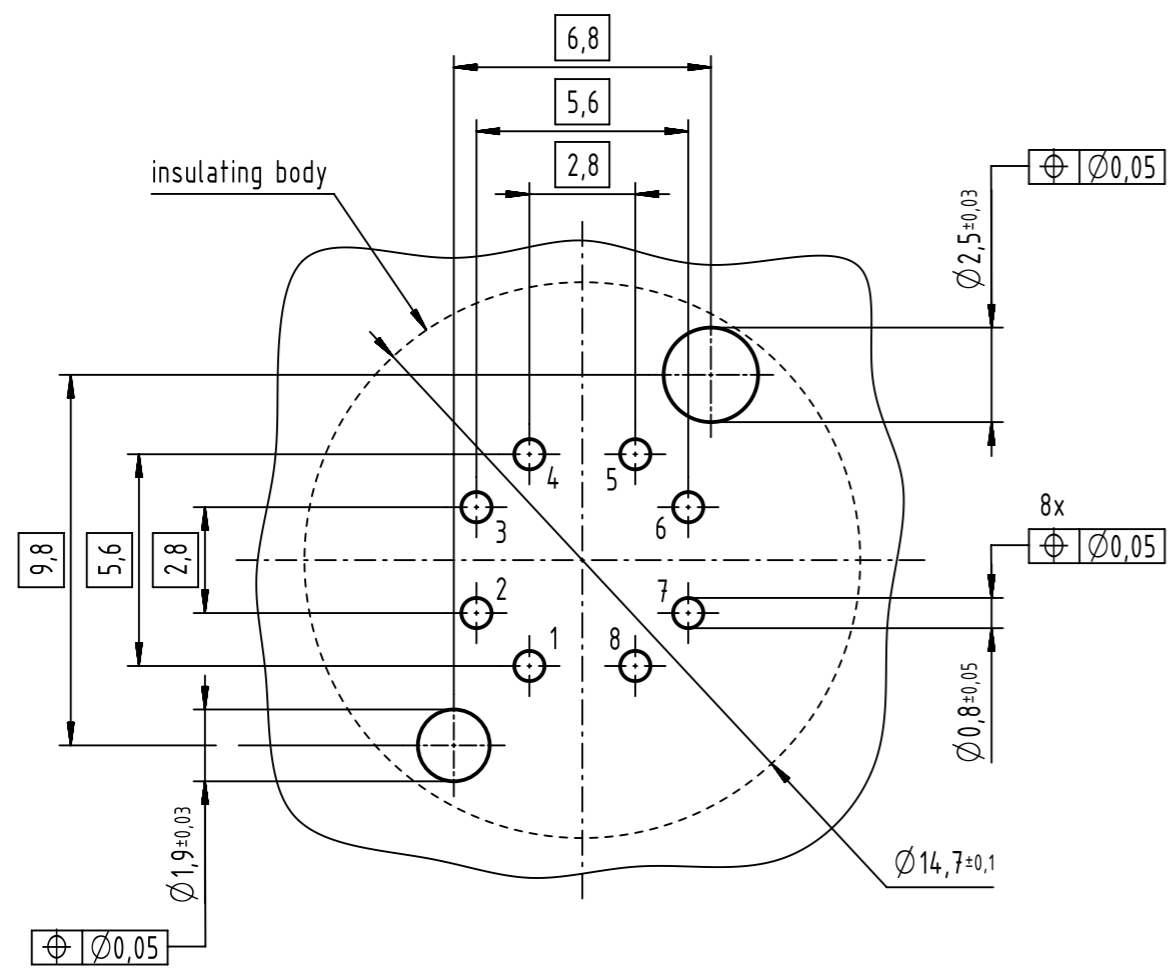
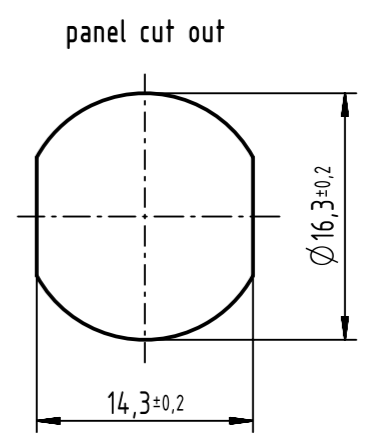
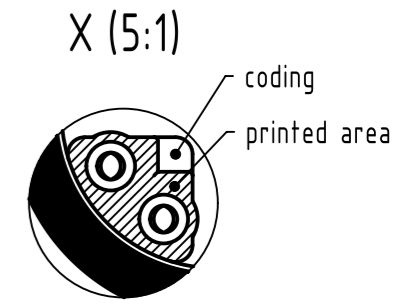
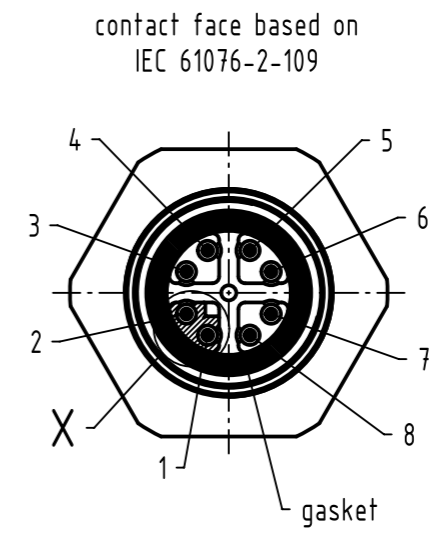
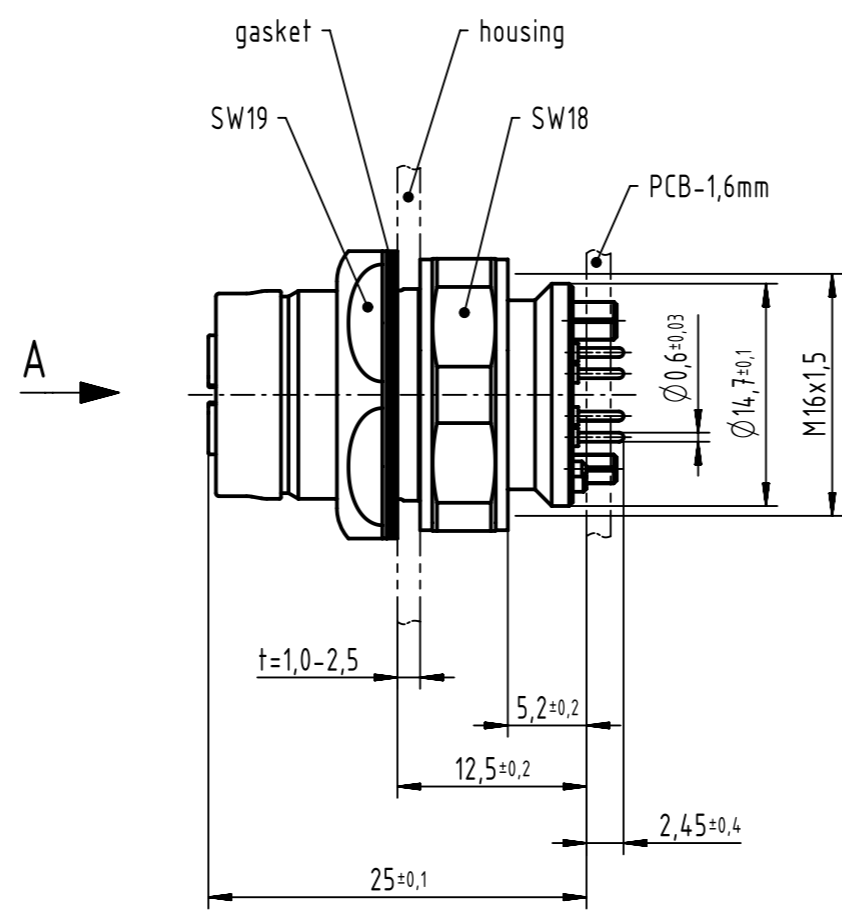
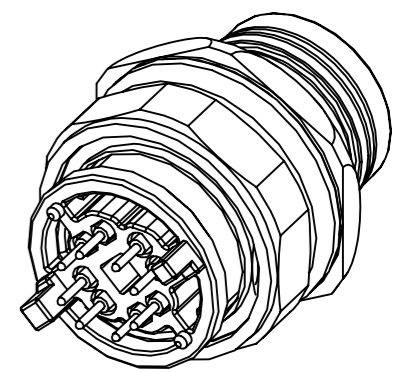


**A (5:1)**  
recommended PCB-layout



pin assignment		
pin	Signal	pair
1	TD1+	2
2	RD1-	2
3	TD2+	3
4	RD2-	3
5	TD4+	4
6	RD4-	4
7	RD3-	1
8	TD3+	1

- 500 mating cycles acc. to IEC 60512-9-1
- design for reflow soldering
- 1 pcs. single package
- packed with pick&place-cap



	All rights reserved		Scale 2:1	Free size tol.	Ref.
	Department EL PD		Created by DYCKC	Inspected by 104122	Sub.
HARTING Electronics GmbH		Title har-speed M12 PCB Cat5 receptacle straight front		Date 2020-06-02	State Final Release
D-32339 Espelkamp		Type TB	Number 21033812814		Doc-Key / ECM-Nr. 100230900/UGD/001/E 500000171486
					Rev. E
					Page 1/1