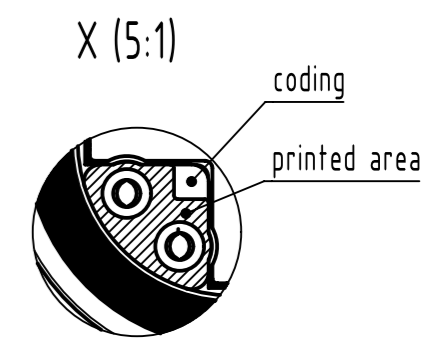
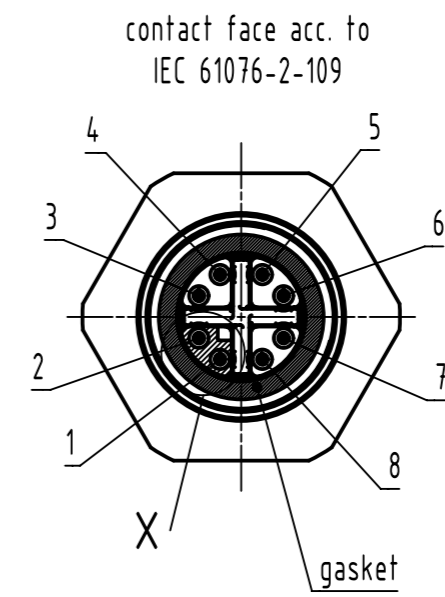
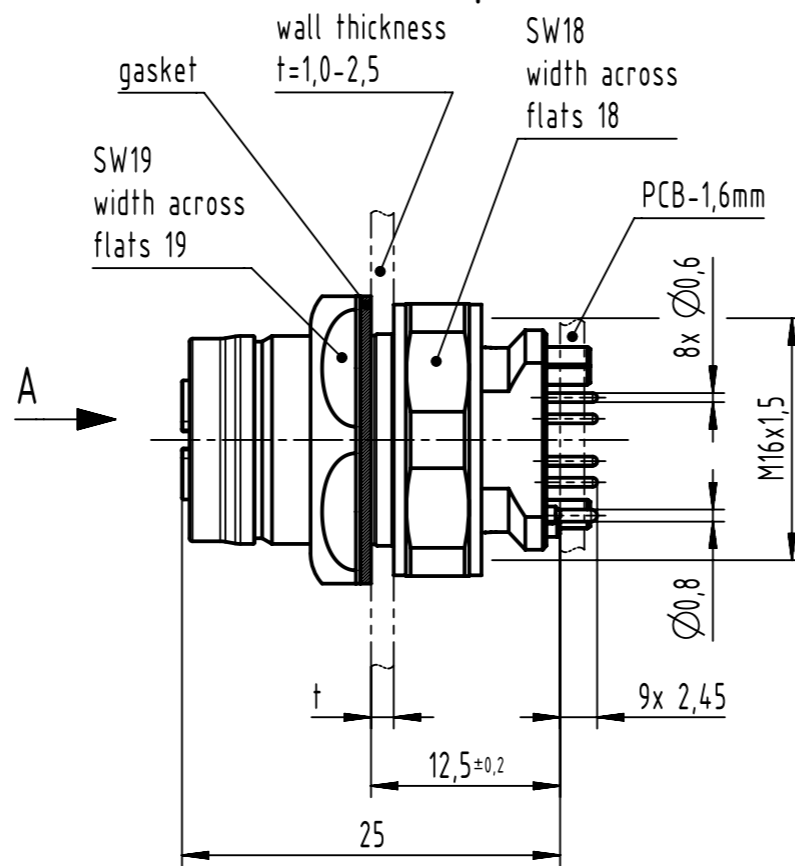
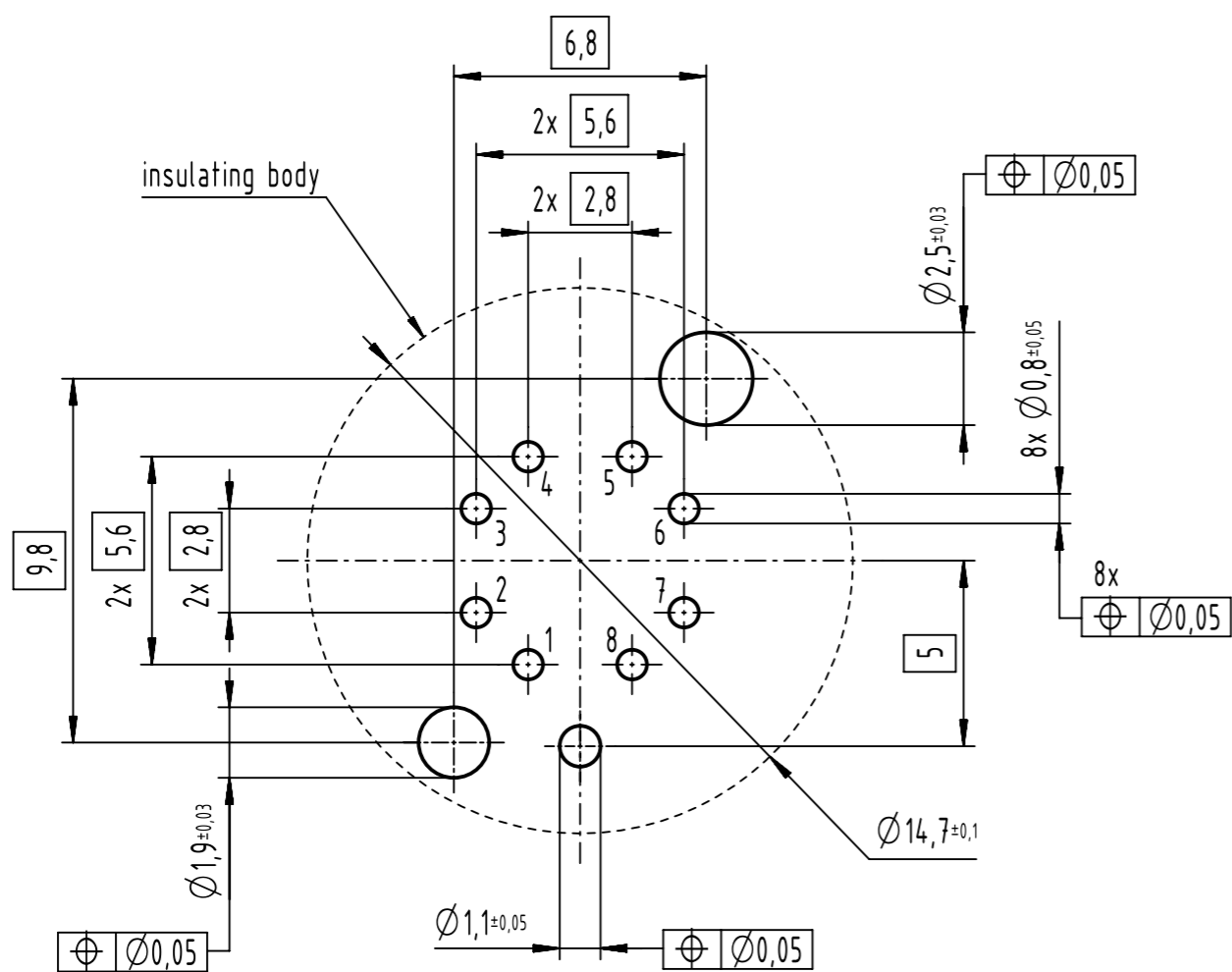
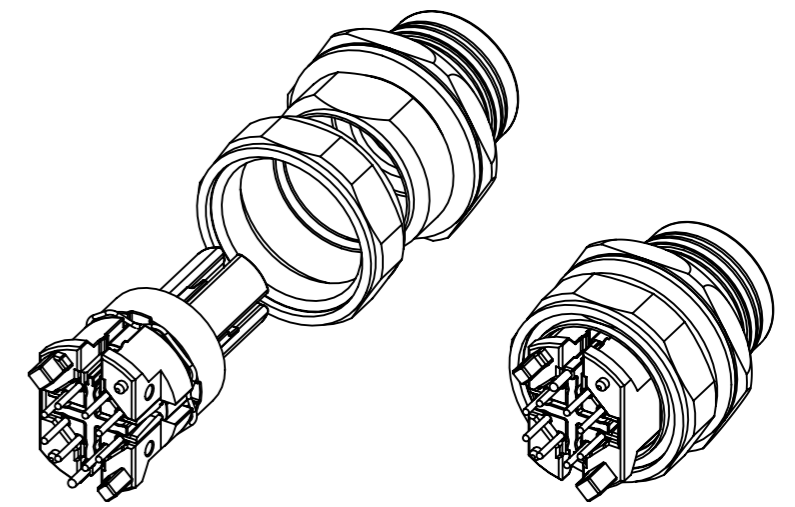
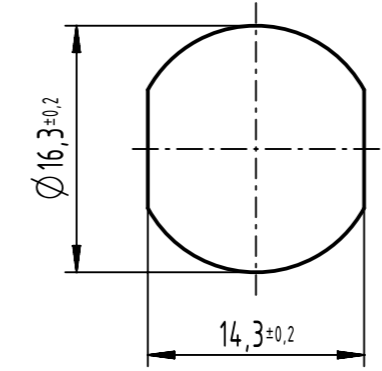


recommended PCB-layout
A (5:1)



panel cut out



| pin assignment | | |
|----------------|--------|------|
| pin | Signal | pair |
| 1 | TD1+ | 2 |
| 2 | RD1- | 2 |
| 3 | TD2+ | 3 |
| 4 | RD2- | 3 |
| 5 | TD4+ | 4 |
| 6 | RD4- | 4 |
| 7 | RD3- | 1 |
| 8 | TD3+ | 1 |

- 500 mating cycles acc. to IEC 60512-9-1
- design for reflow soldering
- 1 pcs. single package

| | | | | | |
|------------------------------|--|---|------------------------|------------------------------|---|
| | All Dimensions in mm Original Size DIN A3 | | Scale 2:1 | Free size tol. | Ref. |
| | All rights reserved Department EL PD | | Created by BUSSMANN | Inspected by 104122 | Standardisation |
| HARTING D-32339 Espelkamp | | Title M12-PP-PCB-THR-2PC-8P-XCOD-F-STR-SHLD | | | Date 2022-11-17 |
| | | Type TB | | Number 21033812813 | State Final Release |
| | | | | | Doc-Key / ECM-Nr. 100230885/UGD/003/F 50000228108 |
| | | | | | Rev. F |
| | | | | | Page 1/1 |