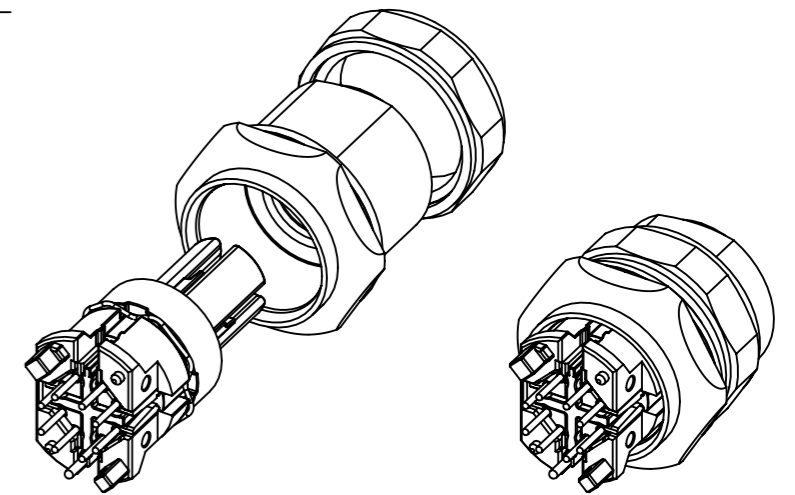
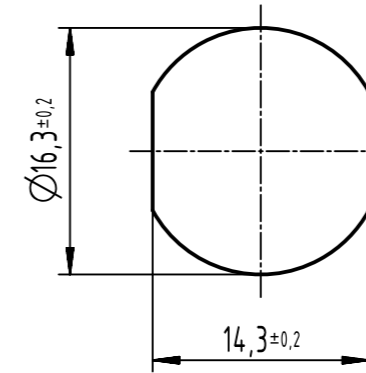
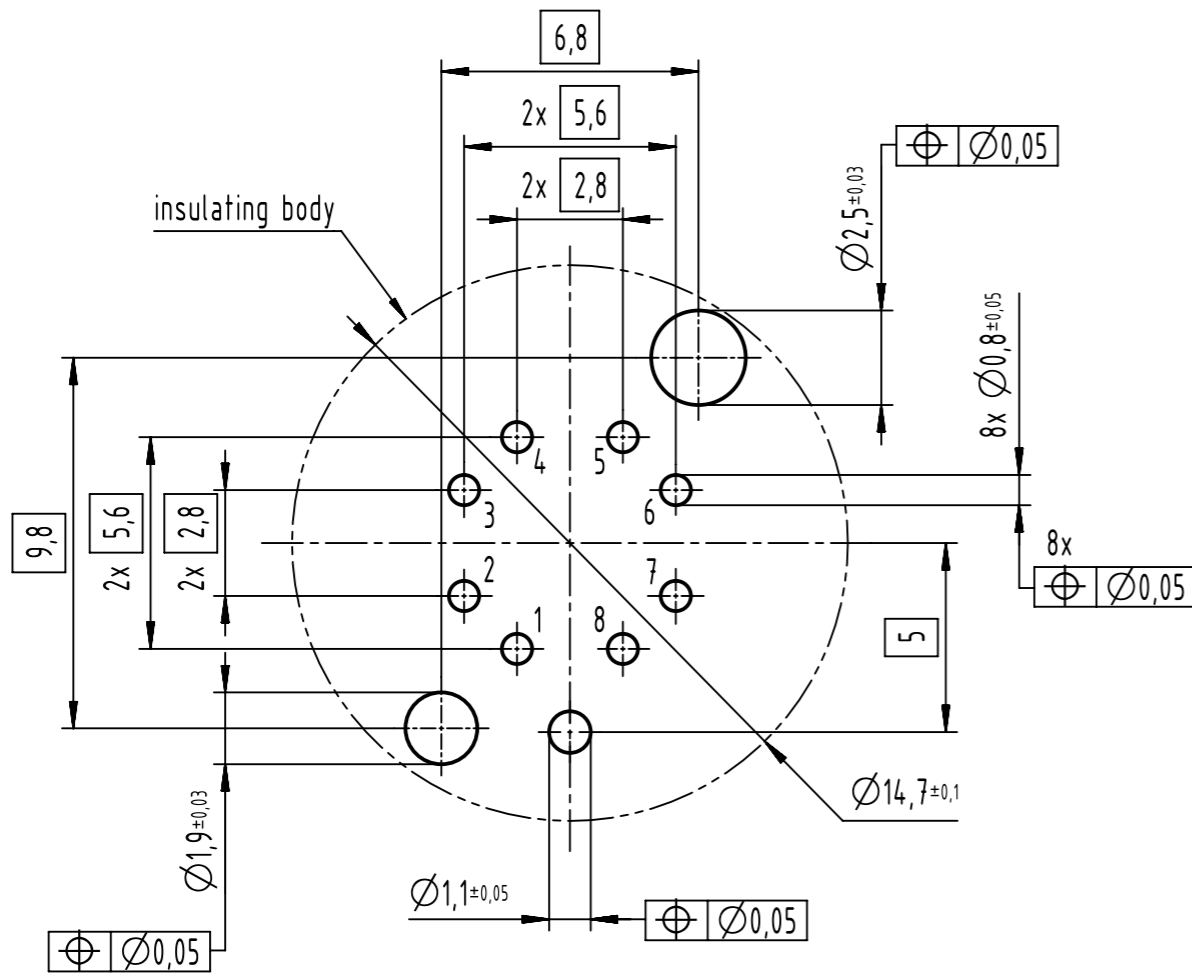


recommended PCB-layout
A (5:1)



pin assignment		
pin	signal	pair
1	TD1+	2
2	RD1-	2
3	TD2+	3
4	RD2-	3
5	TD4+	4
6	RD4-	4
7	RD3-	1
8	TD3+	1

- 500 mating cycles acc. to DIN EN 60512-9-1
- design for reflow soldering
- 60 pcs. tray package
- packed with pick&place-cap

	All rights reserved	Created by BUSSMANN	Inspected by 104122	Standardisation	Date 2022-11-17	State Final Release
	Department EL PD	Title M12-PCB-THR-2PC-8P-XCOD-F-STR-SHLD		Doc-Key / ECM-Nr. 100232902/UGD/003/J 500000228108		
HARTING D-32339 Espelkamp	Type TB	Number 21033812810		Rev. J	Page 1/1	