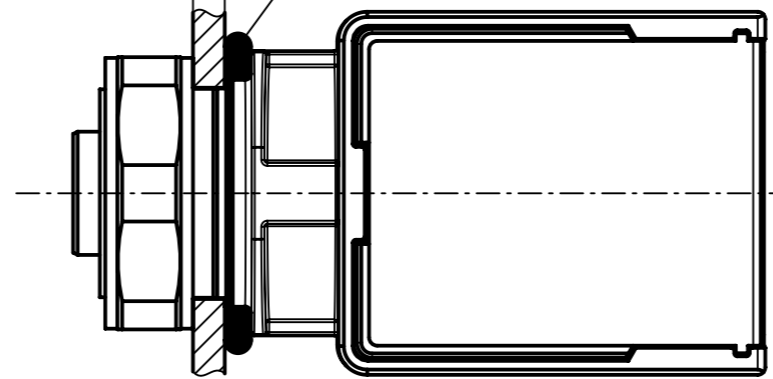


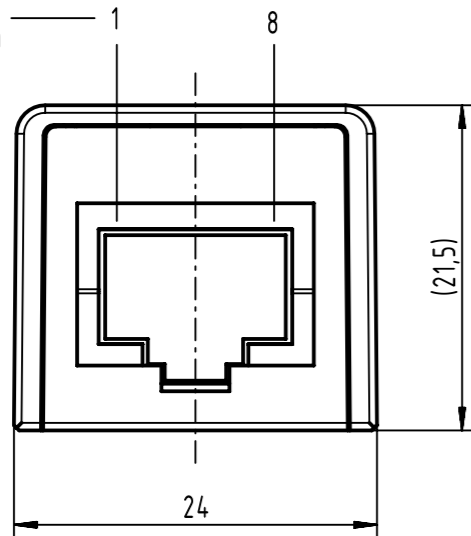
wall thickness 2,1-4,5

seal compressed



mating face acc. to IEC 60603-7

contact position

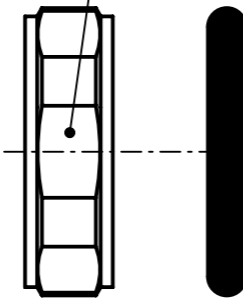


(21,5)

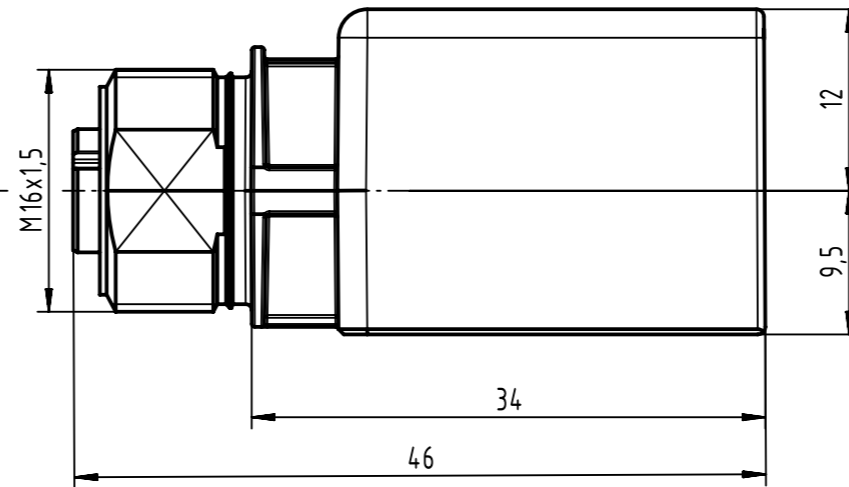
24

SW18

A



M16x1,5



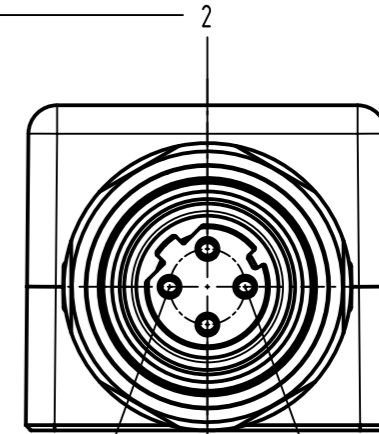
12

9,5

34

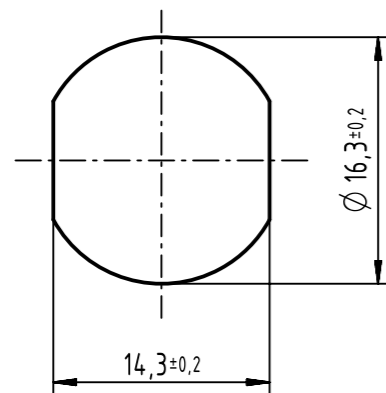
46

contact position



contact position

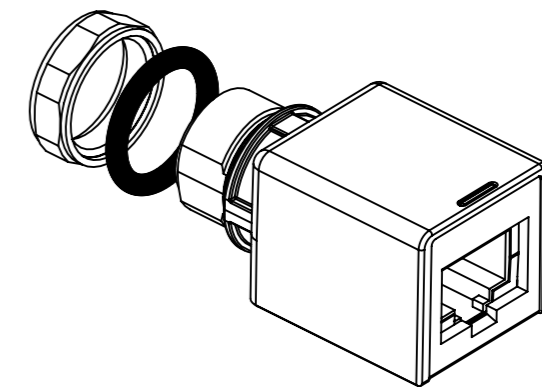
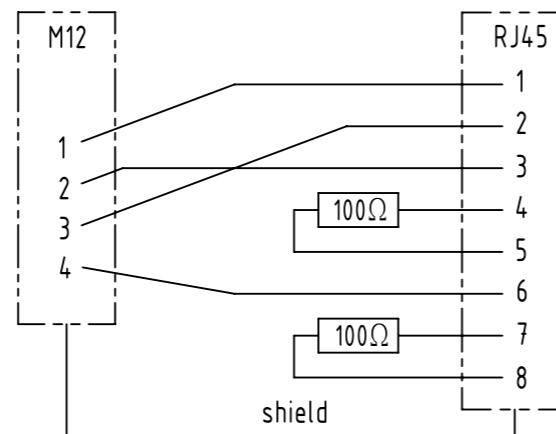
A
panel cut out



Ø 16,3±0,2

14,3±0,2

circuit diagram



	All rights reserved Department EL PD	All Dimensions in mm Original Size DIN A3	Scale 2:1	Free size tol.	Ref. Sub.
	HARTING D-32339 Espelkamp	Created by HASSEBROCKS	Inspected by EISFELD	Standardisation 302077	Date 2021-02-25
Title adapter M12-RJ45 straight				State Final Release	Doc-Key / ECM-Nr. 100513256/UGD/007/F 500000189929
Type TB	Number 21033812401	Rev. F	Page 1/1		