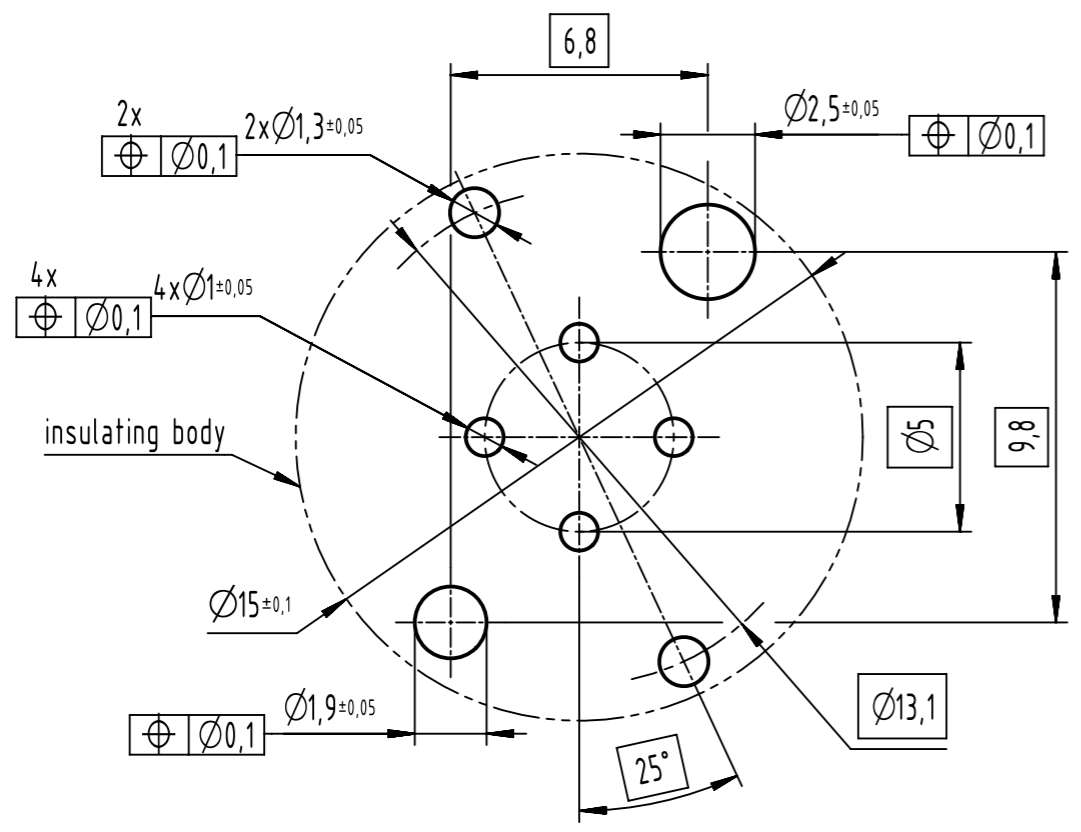
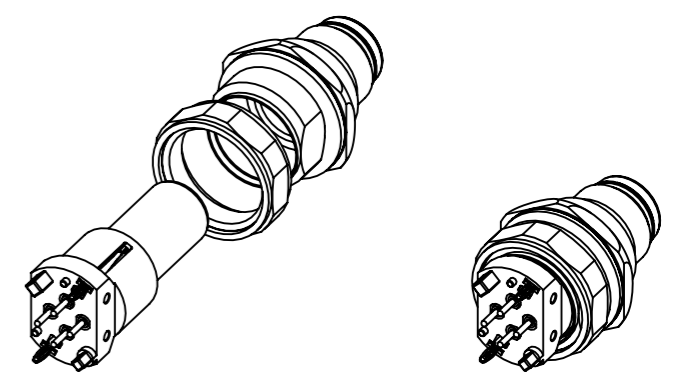
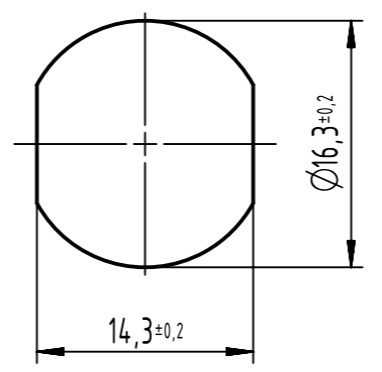


recommended PCB-layout  
A (5:1)



panel cut out



- 500 mating cycles acc.to IEC 60512-9-1
- design for reflow soldering
- 1 pcs. single package

	All Dimensions in mm Original Size DIN A3		Scale 2:1	Free size tol.		Ref.
	All rights reserved Department EL PD		Created by 407787	Inspected by 104122	Standardisation	Date 2022-11-25
HARTING D-32339 Espelkamp		Title M12-PCB-THR-2PC-4P-DCOD-M-STR-SHLD			Doc-Key / ECM-Nr. 100570011/UGD/000/D 50000229676	
		Type TB	Number 21033811431		Rev. D	Page 1/1