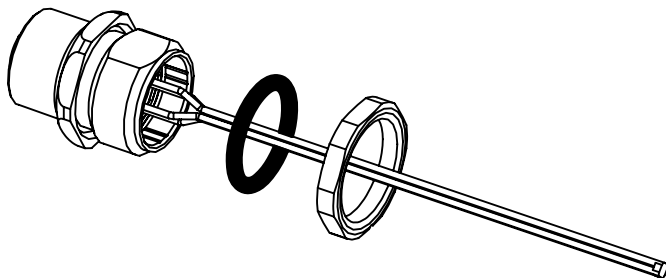
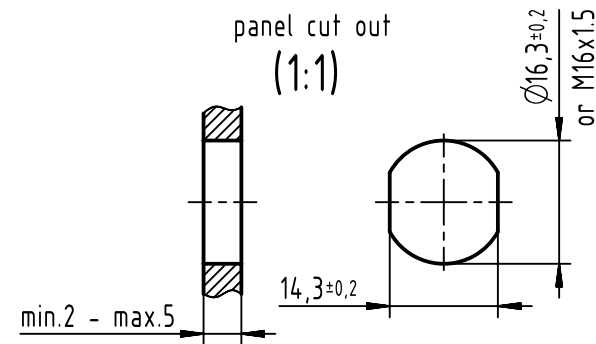
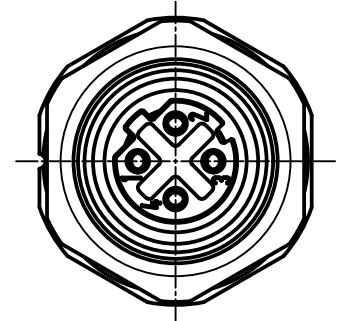
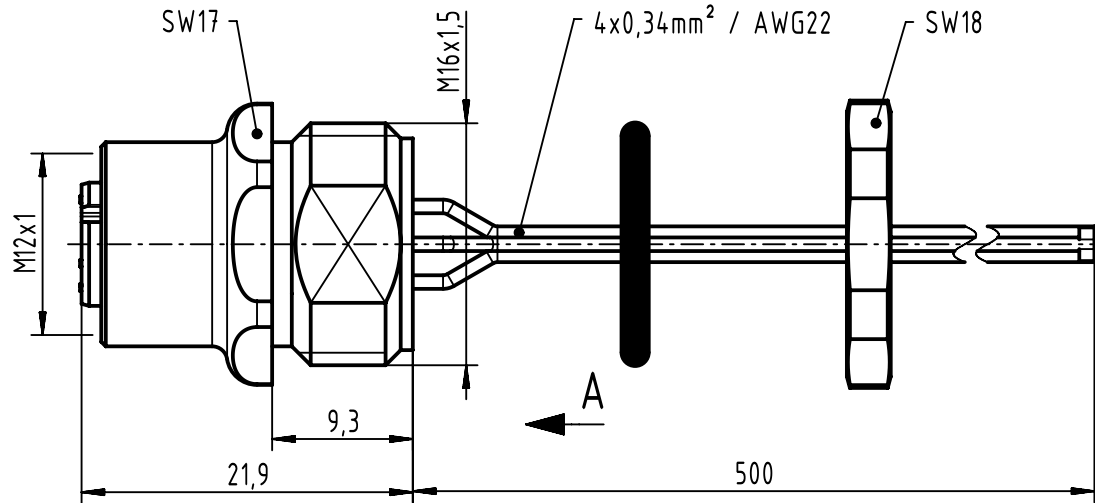
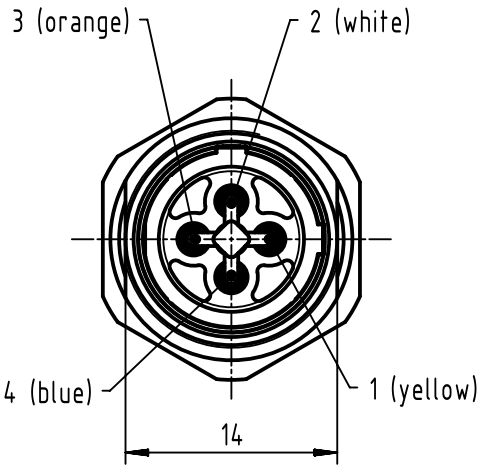


A

(view without locking nut and sealing)



	All rights reserved Department EL PD	All Dimensions in mm Original Size DIN A4		Scale 2:1	Free size tol.	Ref. Sub.
		Created by BUSSMANN	Inspected by 104.122	Standardisation SAP_WFRT	Date 2022-03-23	State Final Release
HARTING D-32339 Espelkamp		Title M12-PFT-CRIMP-4P-DCOD-F-0.5			Doc-Key / ECM-Nr. 100218678/UGD/008/H 500000213869	
		Type TB	Number 21033712403		Rev. H	Page 1/1