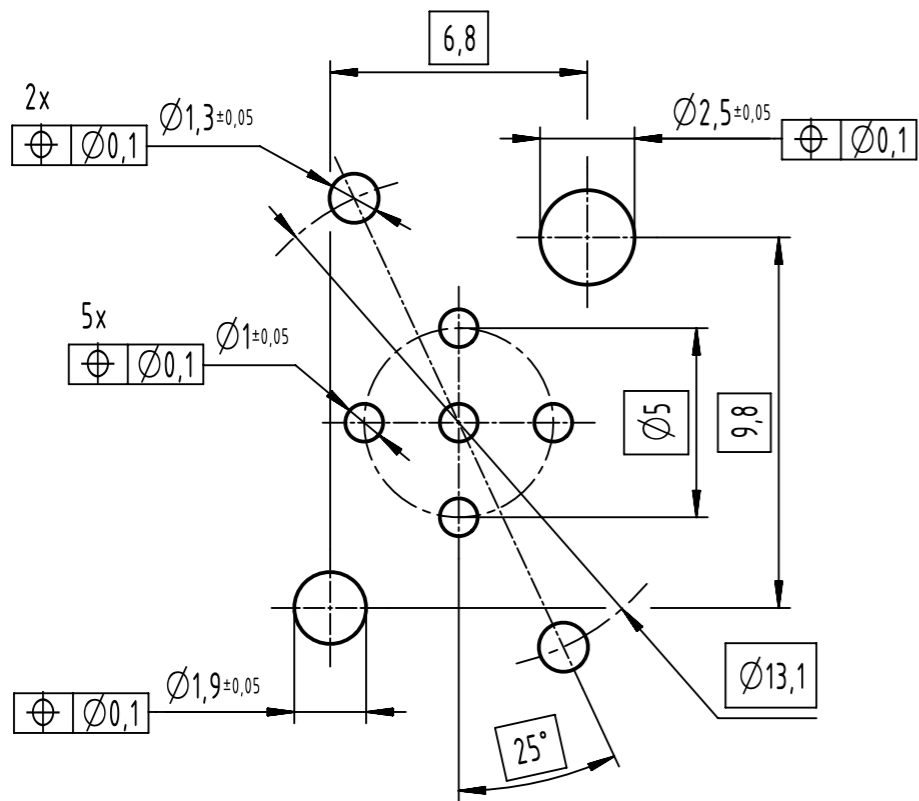
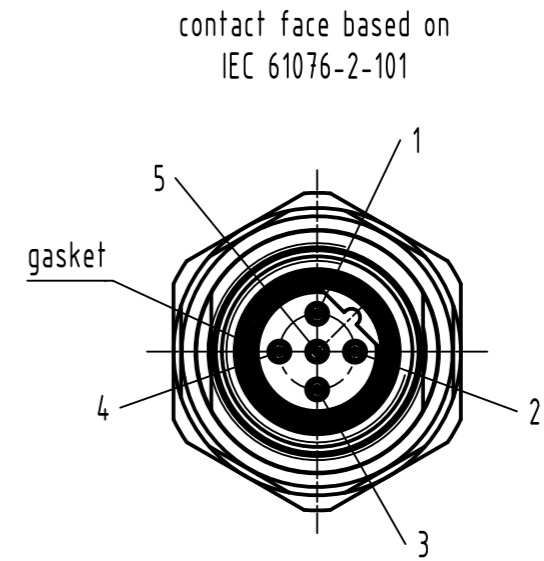
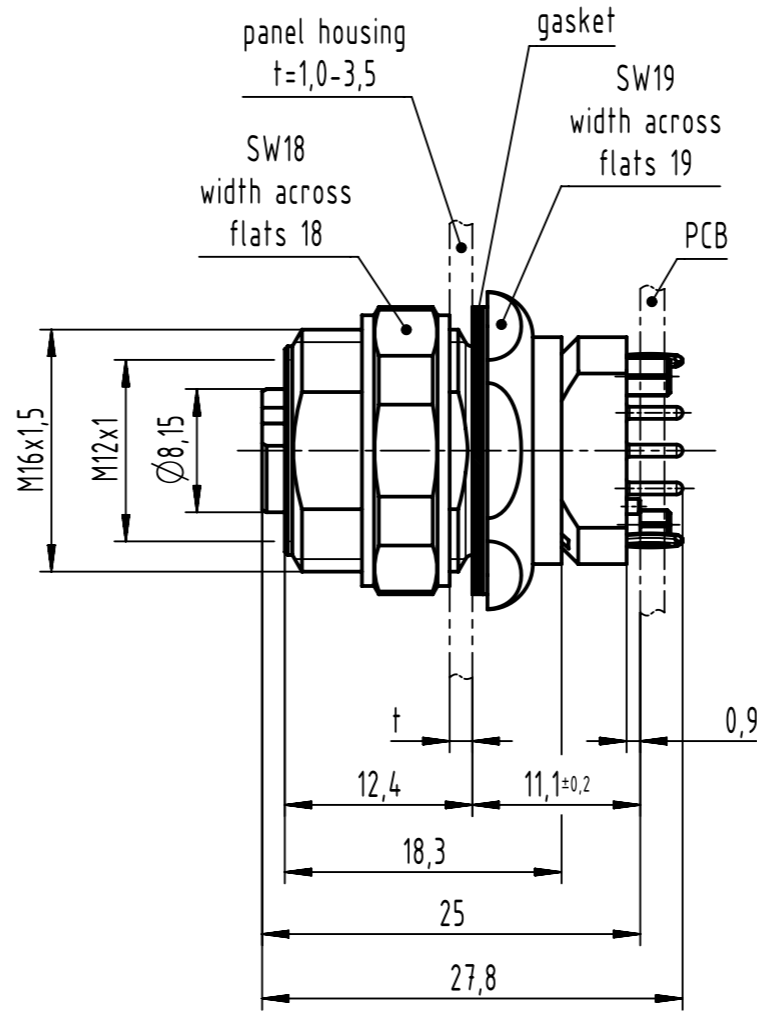


recommended PCB-layout

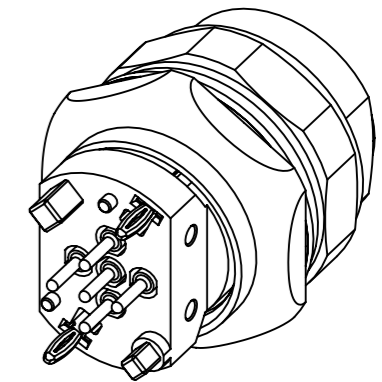
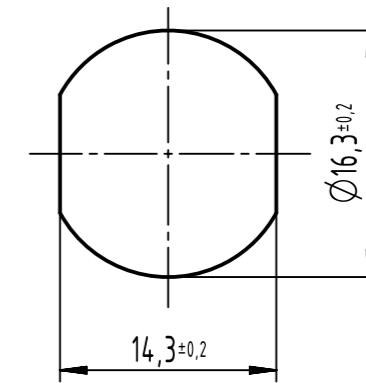
A (5:1)



A



panel cut out



- 1 pcs. single package

	All rights reserved		Created by HASSE		Inspected by 104122	Standardisation SAP_WFRT	Date 2021-10-22	State Final Release
	Department EL PD		Title M12-PCB-THR-2PC-5P-BCOD-F-STR		Doc-Key / ECM-Nr. 100568169/UGD/000/D 500000204328		Rev. D	Page 1/1
HARTING D-32339 Espelkamp		Type TB	Number 21033412530					