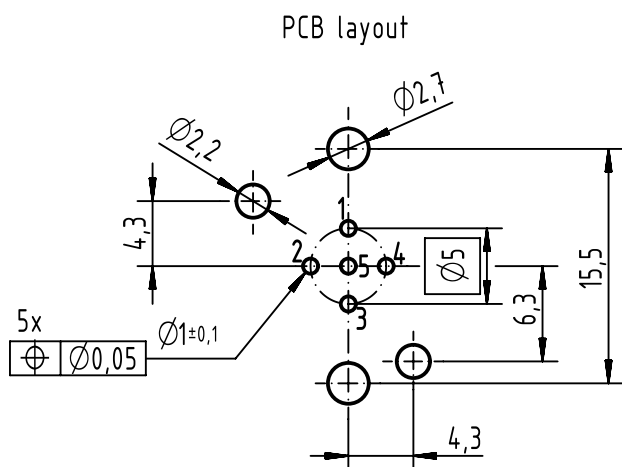
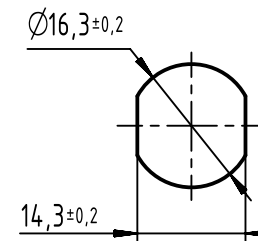
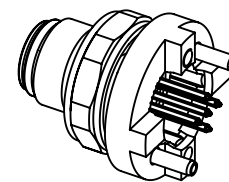


panel cut out  
(1:1)



1 top surface PCB

recommended PCB-thickness: 1,6mm

	All rights reserved Department EL PD	All Dimensions in mm Original Size DIN A4		Scale 2:1	Free size tol.	Ref. Sub. TB 21 03 341 1505 / Mod.EC04068 / 16.11.2011	
		Created by 104122	Inspected by WELLMANN	Standardisation HOFFMANN	Date 2019-12-02	State Final Release	
HARTING Electronics GmbH D-32339 Espelkamp		Title HARTING M12 PFT B-coded straight male 5-pole IP67				Doc-Key / ECM-Nr. 100215302/UGD/004/C 500000157713	
		Type TB	Number 21033411505			Rev. C	Page 1/1