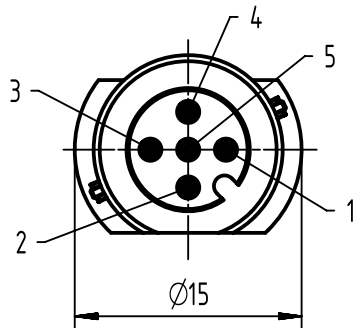
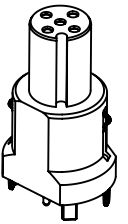
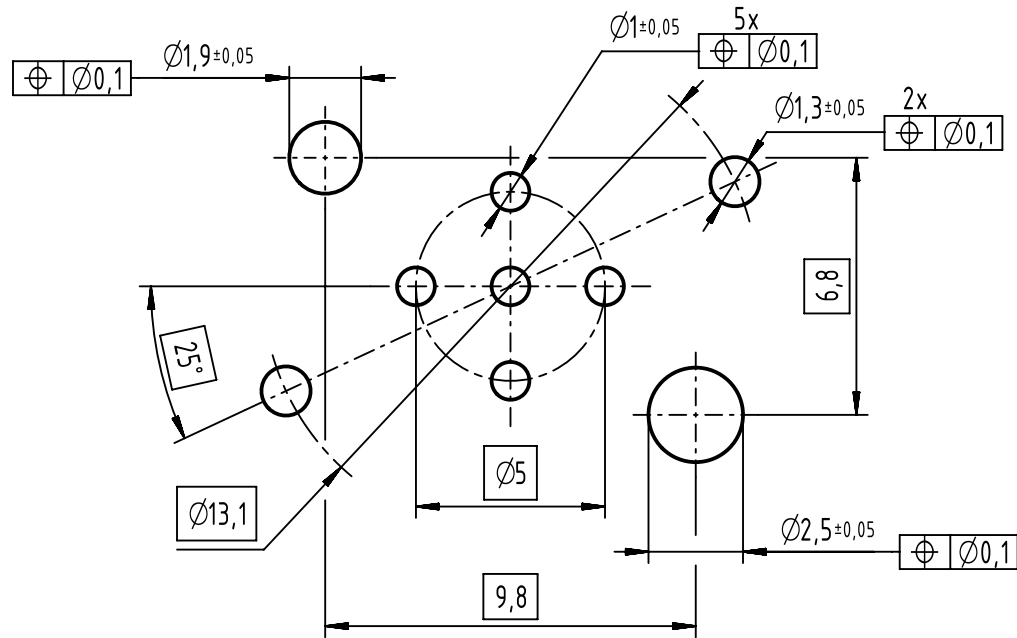


contact face based on
IEC 61076-2-101



A (5:1)
recommended PCB-layout



- 60 pcs. tray package

	All rights reserved Department EC PD - DE	All Dimensions in mm Original Size DIN A4			Scale 2:1	Free size tol.	Ref. Sub. TB 21033212518 B 500000081016 2014-10-30	
		Created by DYCKC	Inspected by EISFELD	Standardisation HOFFMANN	Date 2015-06-02	State Final Release	Title HARTING M12 PCB receptacle female A-coded 5-pole	
HARTING Electronics GmbH D-32339 Espelkamp		Type TB	Number 21033212518			Rev. C	Page 1/1	