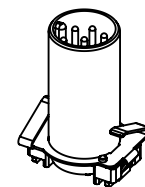
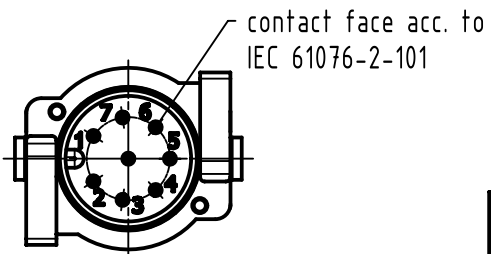
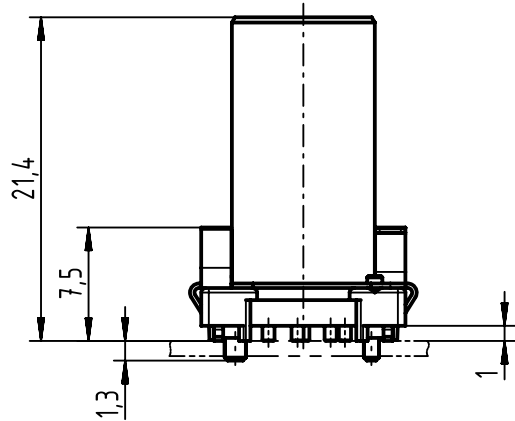
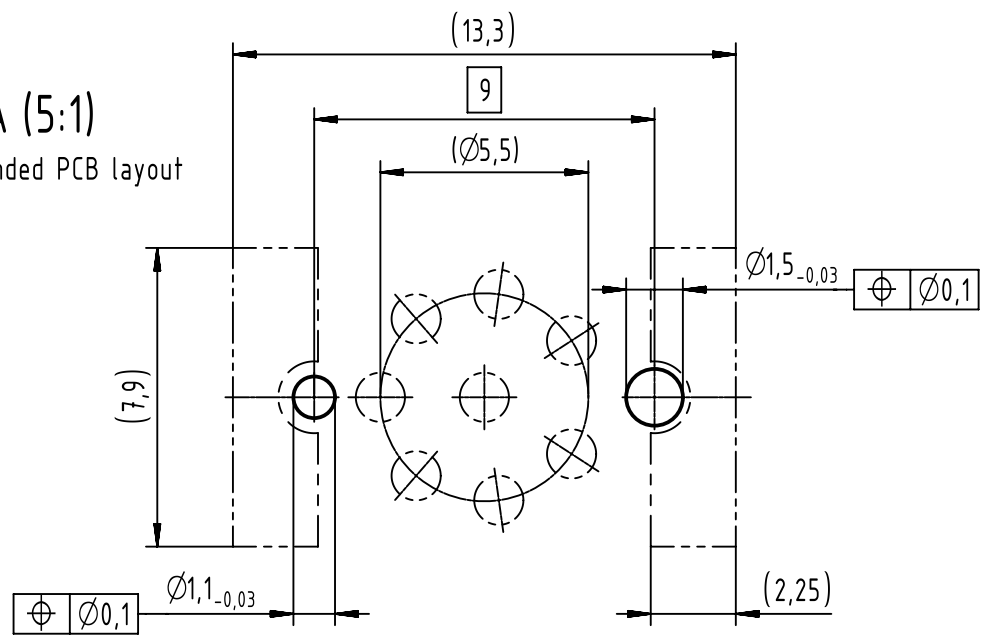


A (5:1)  
recommended PCB layout



- 75 pcs. Tape on Reel package

	All rights reserved Department EC PD - DE	All Dimensions in mm Original Size DIN A4		Scale 2:1	Free size tol.	Ref. Sub.	
		Created by HELLMANN	Inspected by EISFELD	Standardisation KOHLER	Date 2016-05-17	State Final Release	
HARTING Electronics GmbH D-32339 Espelkamp		Title HARTING M12 PCB recpt str 8-pole A-coded male shielded				Doc-Key / ECM-Nr. 100671214/UGD/001/A 500000104428	
		Type TB	Number 21033211803			Rev. A	Page 1/1