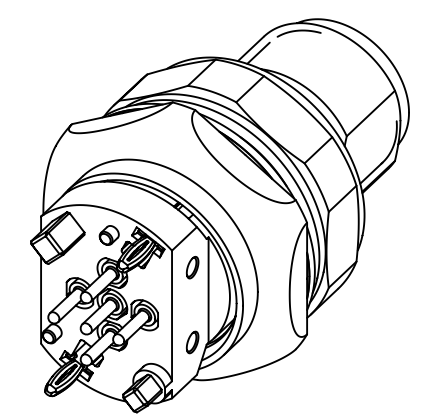
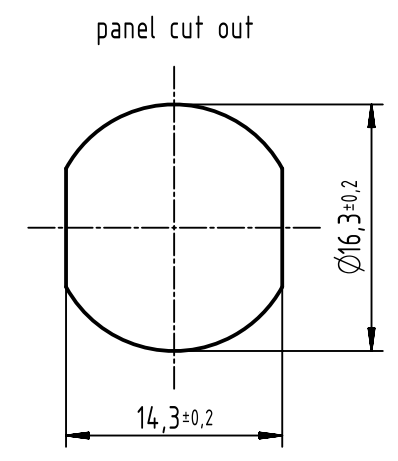
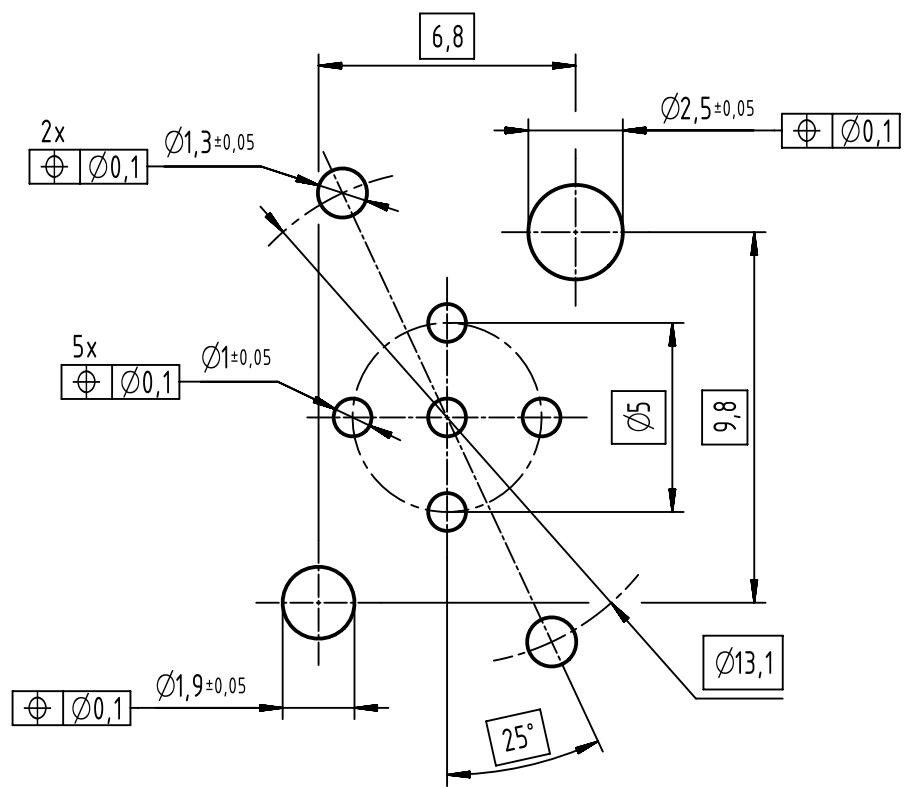
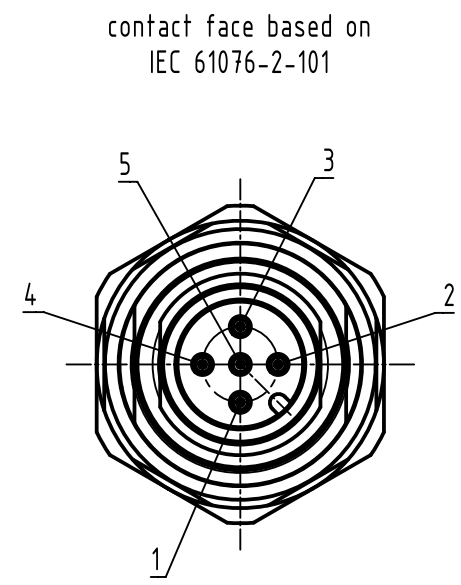
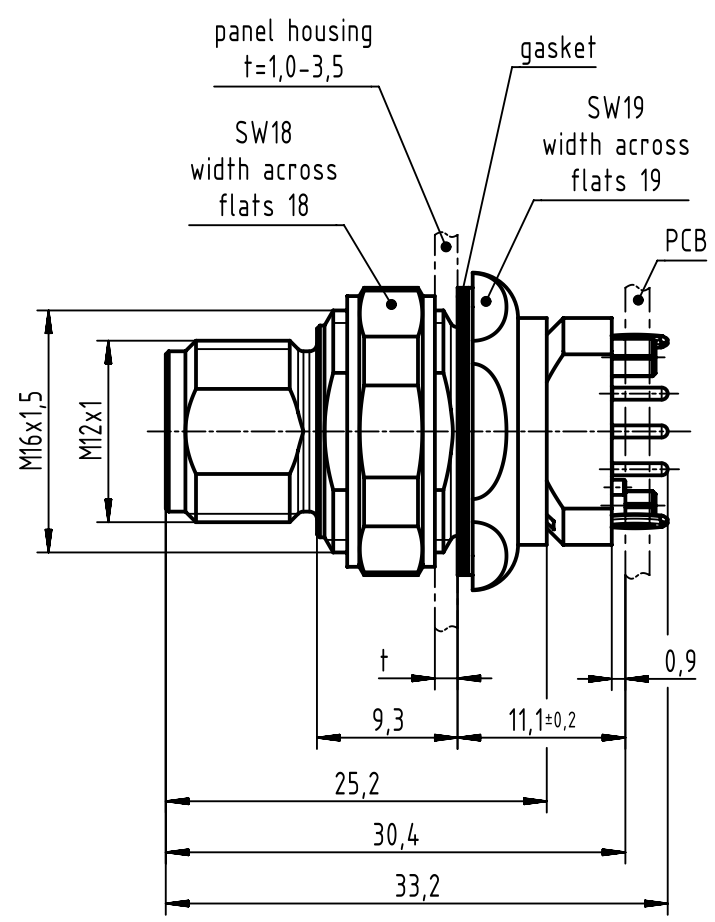


X (5:1)
recommended PCB-layout



- 1 pcs. single package

	All rights reserved		Created by		Inspected by		Standardisation		Date		State	
	Department EC PD - DE		STORCK		WELLMANN		KOHLER		2015-08-04		Final Release	
HARTING Electronics GmbH		Title HARTING M12 PCB receptacle male A-coded 5-pole back						Doc-Key / ECM-Nr.		Rev.		Page
D-32339 Espelkamp		Type TB		Number 21033211530		50000092599		C	1/1			