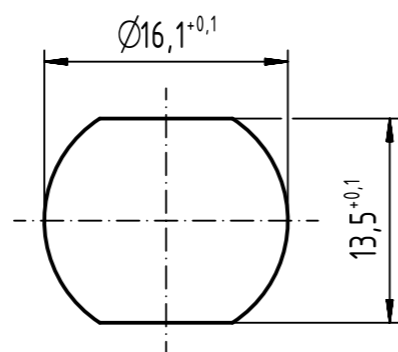


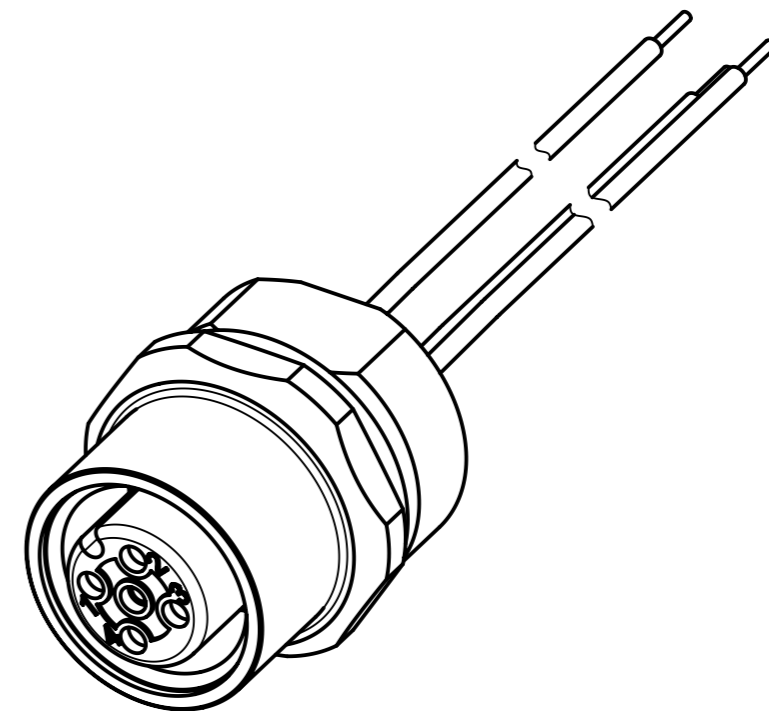
Loading-Plan:

- 1 — brown
- 3 — blue
- 4 — black

Recommended panel cut-out



Minimum wall thickness 1.5mm



- Protection level: IP67
- Temperature range: -30°C ... +80°C
- Order lock nut separately

1		2		3		4		5		6		7		8	
1		21033176305		AWG 24, PVC		0.5		All rights reserved Department EC PD - RO		Scale 2:1 Free size tol.		Ref. Sub.			
Cont. No.		Part - no.		Type of cable		Dim. a[m]		Created by TAMAS Inspected by AVRAM Standardisation SCHREIER Date 2017-07-28 State Final Release		Title M12 A-coded Cable Assembly Type TB Number 210331763XX		Doc-Key / ECM-Nr. 100580453/UGD/009/C 500000122985		Rev. C Page 1/1	