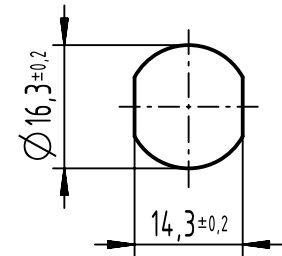
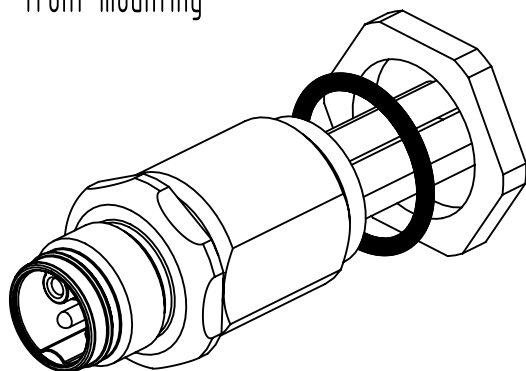


panel cut out  
(1:1)



front mounting



- recommended torque for the lock nut: 2.0Nm

	All Dimensions in mm Original Size DIN A4		Scale 2:1	Free size tol.		Ref. Sub.	
		All rights reserved	Created by HASSE	Inspected by FRIESENH	Standardisation	Date 2021-09-10	State Final Release
Department EL PD		Title M12-P-PFT-CRIMP-5P-KCOD-M-0,3				Doc-Key / ECM-Nr. 100765039/UGD/002/B 500000202414	
HARTING D-32339 Espelkamp		Type TB	Number 21033095503			Rev. B	Page 1/1