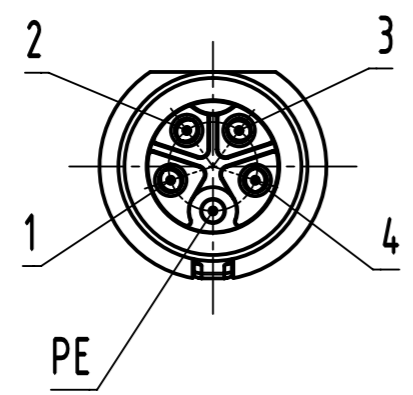
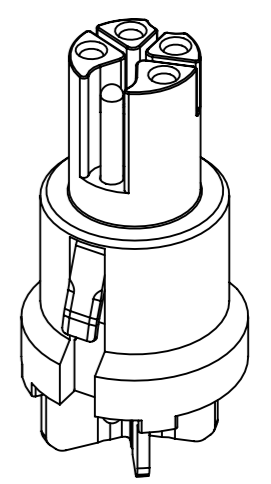
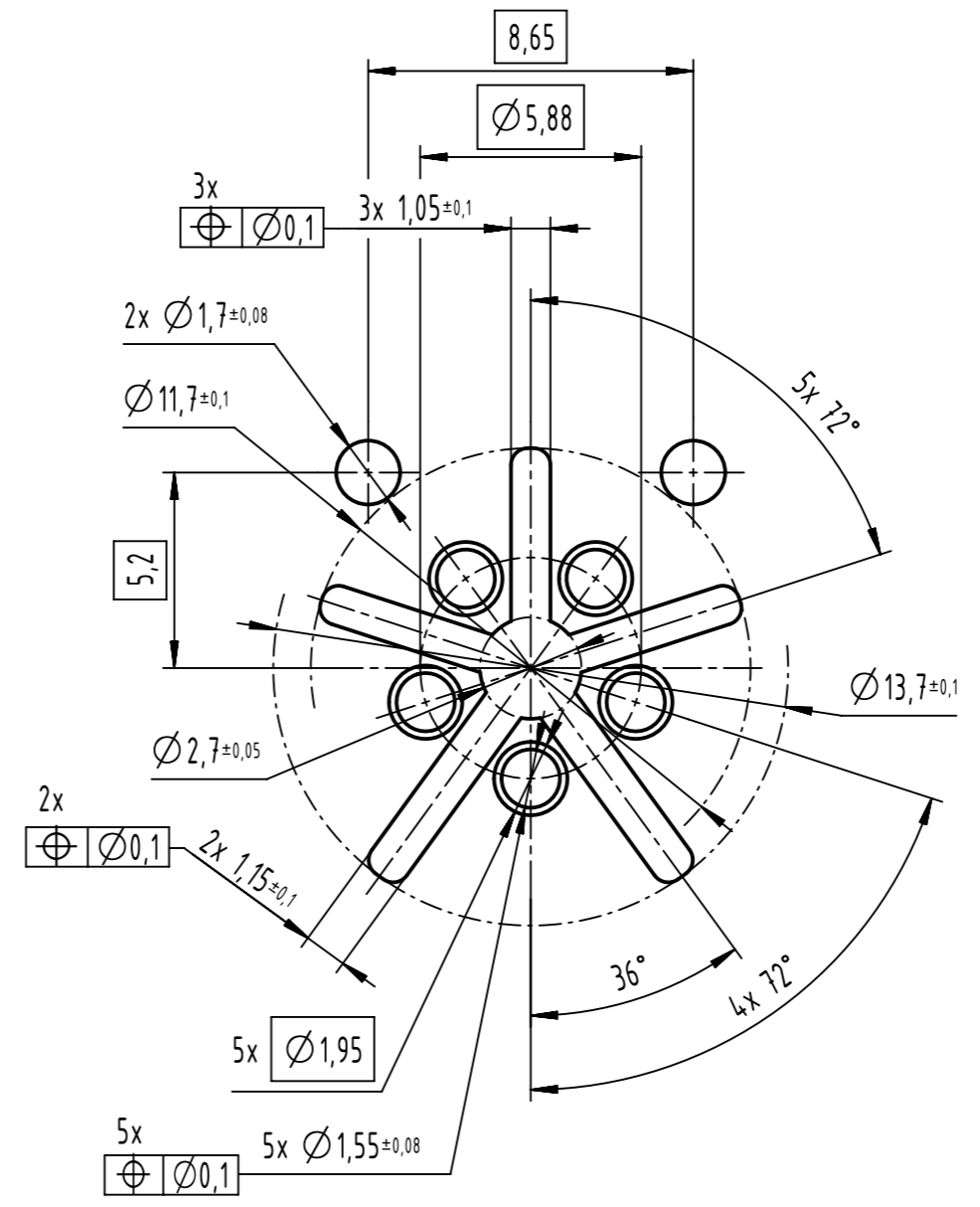


contact face based on
IEC 61076-2-111



recommended PCB-layout
A (5:1)



- recommended PCB: 1,6mm
- 30 pcs. carton box package

	All rights reserved		Created by HASSE		Inspected by FRIESENH		Standardisation		Date 2021-11-05		State Final Release	
	Department EL PD		Title M12-PCB-THR-2PC-5P-KCOD-F-STR-SHLD		Doc-Key / ECM-Nr. 100725547/UGD/005/B 500000205391		Type TB		Number 21033092505407		Rev. B Page 1/1	
All Dimensions in mm Original Size DIN A3			Scale 2:1		Free size tol.			Ref. Sub.				
HARTING D-32339 Espelkamp												