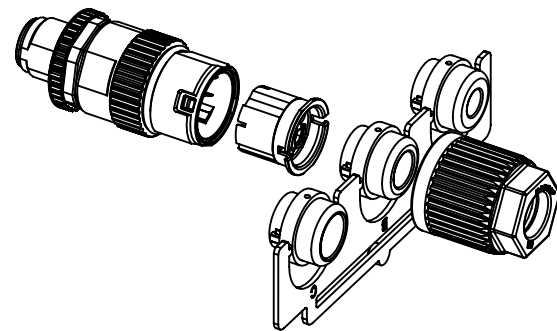
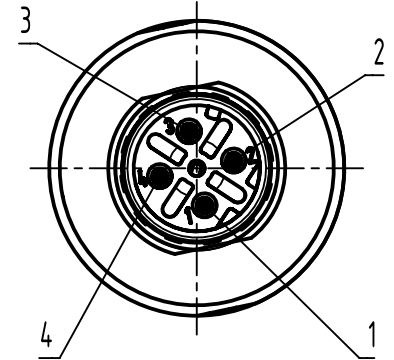


contact face based on
IEC 61076-2-101
A (2:1)



cable outside diameter	conductor cross section
4,5mm - 8,8mm	AWG26 - AWG22 0,14mm ² - 0,34mm ²

	All rights reserved Department EL PD	All Dimensions in mm Original Size DIN A4		Scale 1:1	Free size tol.	Ref. Sub.
		Created by HASSE	Inspected by 104.122	Standardisation SAP_WFRT	Date 2022-02-04	State Final Release
HARTING D-32339 Espelkamp		Title M12-L-CC-IDC-4P-DCOD-M-STR-SHLD			Doc-Key / ECM-Nr. 100195995/UGD/004/H 500000210890	
		Type TB	Number 21032811405		Rev. H	Page 1/1