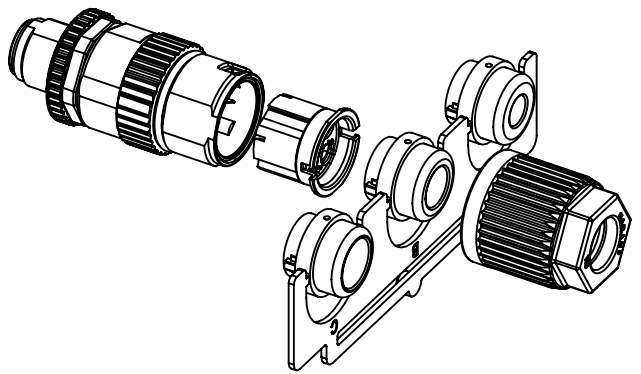
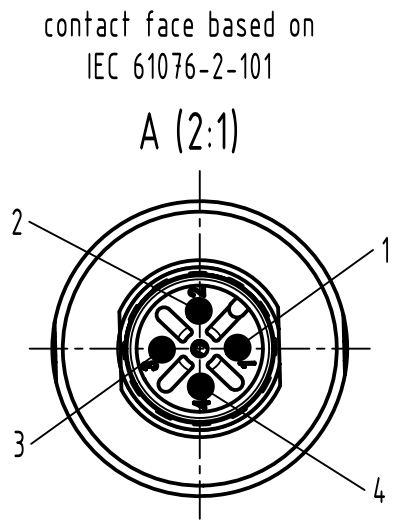
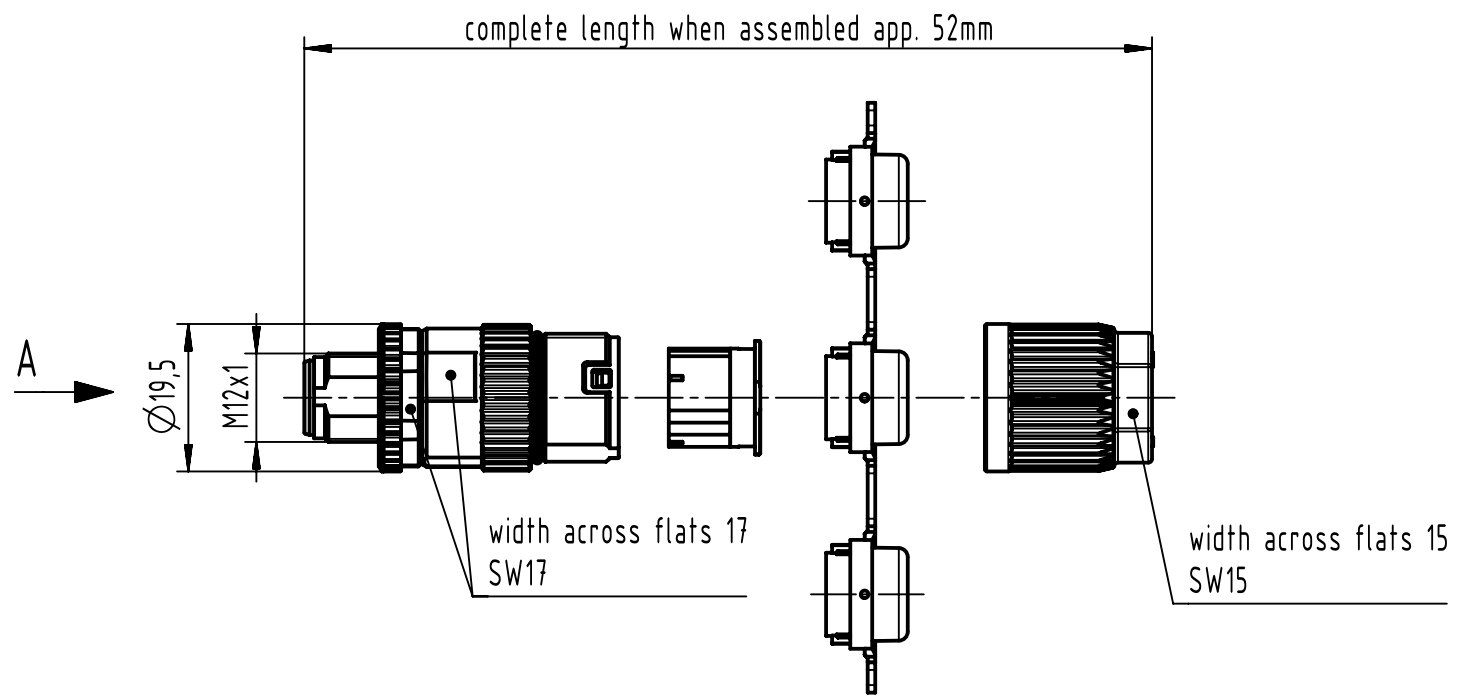


1 2 3 4 5 6

A
B
C
D



cable outside diameter	conductor cross section
4,5mm - 8,8mm	AWG26 - AWG22 0,14mm ² - 0,34mm ²

	All rights reserved Department EL PD	All Dimensions in mm Original Size DIN A4	Scale 1:1	Free size tol.	Ref. Sub.
		HARTING D-32339 Espelkamp	Created by HASSE	Inspected by 104.122	Standardisation SAP_WFRT
Title M12-L-CC-IDC-4P-ACOD-M-STR-SHLD					Doc-Key / ECM-Nr. 100197019/UGD/004/J 500000210890
			Type TB	Number 21032211405	Rev. J Page 1/1