

1 2 3 4 5 6

A

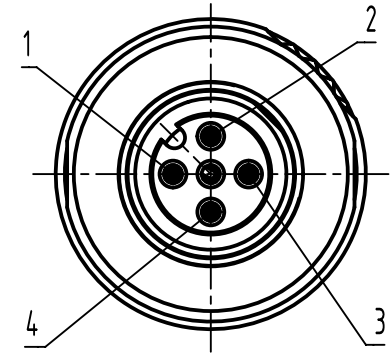
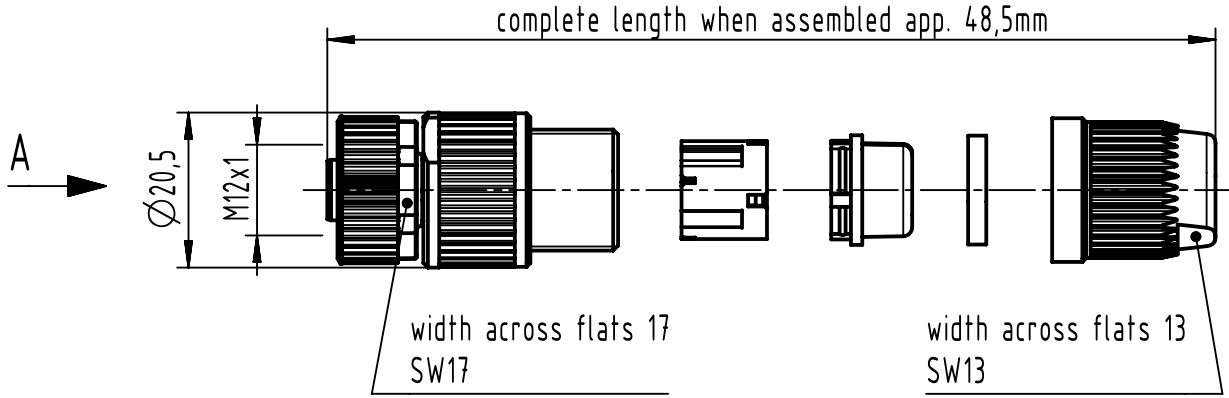
B

C

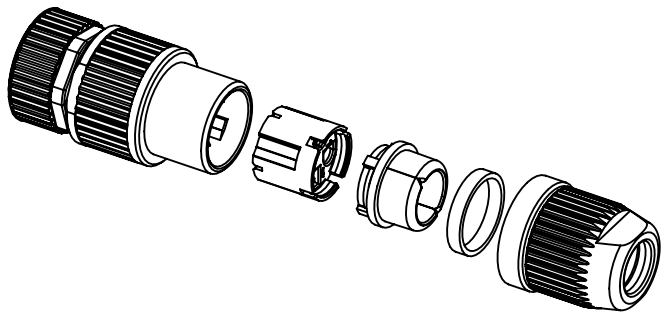
D

contact face based on
IEC 61076-2-101

A (2:1)



cable outside diameter	conductor cross section
7,0mm - 8,8mm	AWG22 - AWG18 0,34mm ² - 0,75mm ²



	All Dimensions in mm Original Size DIN A4	Scale 1:1	Free size tol.		Ref.
	All rights reserved Department EL PD	Created by BUSSMANN	Inspected by HASSEBROCKS	Standardisation	Sub.
HARTING D-32339 Espelkamp	Title M12-L-CC-IDC-4P-ACOD-F-STR			Date 2022-09-16	State Final Release
	Type TB	Number 21032122407		Doc-Key / ECM-Nr. 100191039/UGD/002/F 500000217565	Rev. F
					Page 1/1