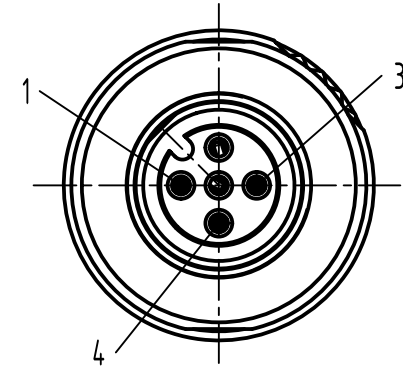
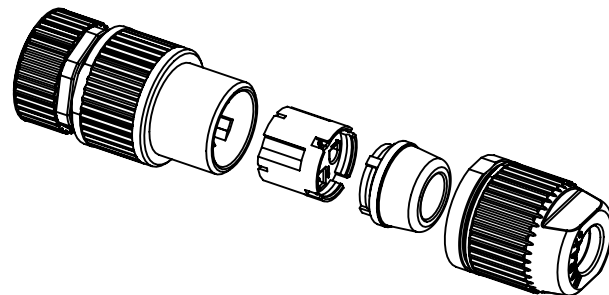


contact face based on
IEC 61076-2-101

A (2:1)



cable outside diameter	conductor cross section
6,0mm - 8,0mm	AWG22 - AWG18 0,34mm ² - 0,75mm ²



	All Dimensions in mm Original Size DIN A4	Scale 1:1	Free size tol.	Ref.
	All rights reserved Department EL PD	Created by HASSE	Inspected by 104.122	Standardisation
HARTING D-32339 Espelkamp	Title M12-L-CC-IDC-3P-ACOD-F-STR			Date 2021-12-15
	Type TB			Number 21032122306
				Doc-Key / ECM-Nr. 100190993/UGD/002/E 500000207119
				Rev. E
				Page 1/1