

# Lighting Controls

DATE:	LOCATION:
TYPE:	PROJECT:
CATALOG #:	

## WSPD SERIES

OCCUPANCY SENSORS AND CONTROLLERS

### FEATURES

- Digital Passive Infrared (PIR) sensor
- Controls 0-10V dimmable ballasts
- Daylight sensor for daylight harvesting applications
- End mount and surface mount versions
- Interchangeable high/low area detection lens options
- Low temperature/Watertight/Indoor-Outdoor versions
- UL and cUL listed
- 5 year warranty



### SPECIFICATIONS

#### CONSTRUCTION

- Sensor Module and Lens Assembly: high-impact, injection-molded plastic
- 7 oz. (198.45g)
- White, Black, Gray finishes available
- Ø4.0" x1.5" H (Ø 101.6MM x 38.1mm H)

#### ELECTRICAL

- Line Voltage sensors: 120-480VAC, 60Hz
- Low Voltage sensors: 24VDC "class 2" (uses UVPP or MP-series power - not included)
- 24VDC
- 120VAC: 10A Tungsten
- 120-347VAC: 5A Standard Ballast
- 120-277VAC: 5A Electronic Ballast
- 347VAC: 3A Electronic Ballast
- 480VAC: 3A Standard Ballast
- Capable of sinking up to 30mA
- 24VDC active high-logic control signal
- Relay: N/O + N/C contacts; 500mA rated @ 24VDC

#### OPERATION

- Indoor/Outdoor use
- Operating temperature: 32°F to 149°F (0°C to 65°C)

#### OPERATION (CONTINUED)

- Low-temperature/WaterTight/Indoor-Outdoor version: Operating temperature: -40° to 149°F (-40° to 65°C)
- Twelve pin dip switch for initial choice of functionality
- 8-second test mode - 4, 8, 16 and 30 minute timeouts
- Enabled: After 60 minutes in the Unoccupied low level state, sensor will turn lighting off
- Disabled: Sensor will maintain low level setting when there is no occupancy
- Dual element pyrometer and spherical Fresnel lens designed for robust detection of walking person (when used with program start ballasts, a 1-2 second delay from occupancy detection to lamp turn-on may occur)

#### DIMMING PRESETS

- Unoccupied: 70%, 60%, 50%, 20%

#### DAYLIGHT SENSOR

- Range: 1 to 50fc or 5 to 500fc
- End mount sensor: Downward and upward facing daylight sensor (direction selectable via dip switch)
- Surface mount sensor: Downward facing daylight sensor only

#### INTERCHANGEABLE LENS OPTIONS AND COVERAGE

- Lens options: (Lenses sold separately - not included with sensor module)
- Low Mount/High Mount
- Indoor/Outdoor
- Coverage: 360°, 180°, Aisle, Half Aisle

#### CERTIFICATIONS

- Conforms with UL STD 508, UL STD 244A
- LWO version conforms to IP65

#### WARRANTY

- 5 year limited

# Lighting Controls

## WSPD SERIES

OCCUPANCY SENSORS AND CONTROLLERS

### ORDERING GUIDE

Example: WSPDLWOEMUNV-BK

CATALOG #

WSPD		Environment		Mounting		Input Voltage		Color	
<b>Model</b>	0-10V Dimming WASP Sensor	<b>Blank</b>	Standard Version	<b>EM</b>	End Mount	<b>24V</b>	24VDC (Low Voltage)	<b>Blank</b>	White
		<b>LWO</b>	Low-Temp/Watertight/Indoor/Outdoor	<b>SM</b>	Surface Mount	<b>UNV</b>	120-480VAC	<b>BK</b>	Black
								<b>GY</b>	Gray

### Lens Ordering Guide

Example: WSPLWO-L360-LM-WH

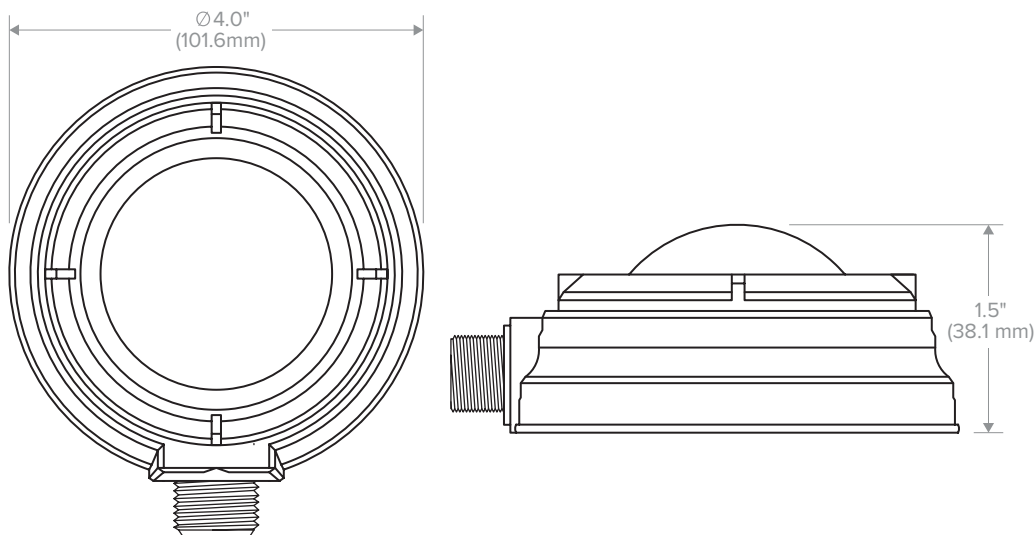
CATALOG #

WSP		Environment		Coverage		Mounting		Color	
<b>Sensor Lens</b>	WASP Sensor Lens	<b>Blank</b>	Indoor Version	<b>L360</b>	360° Area Lens	<b>Blank</b>	High Mount	<b>WH</b>	White
		<b>LWO</b>	Low-Temp/Watertight/Outdoor Only	<b>L180</b>	180° Area Lens	<b>LM</b>	Low Mount	<b>BK</b>	Black
				<b>LA</b>	Aisle Lens			<b>GY</b>	Gray
				<b>LHA</b>	Half Aisle Lens				

### Accessories

- WSPADAPTOR2** WASP End Mount Sensor Offset Adapter

### DIMENSIONS



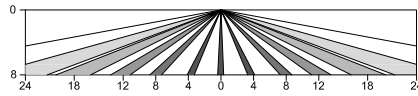
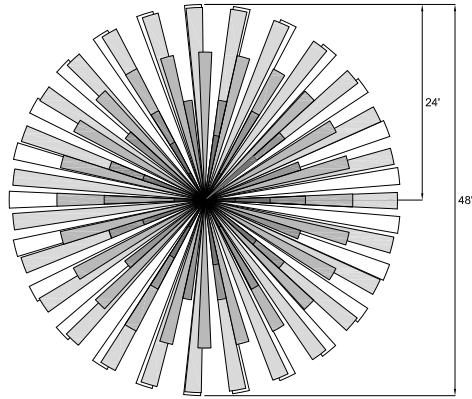
# Lighting Controls

## WSPD SERIES

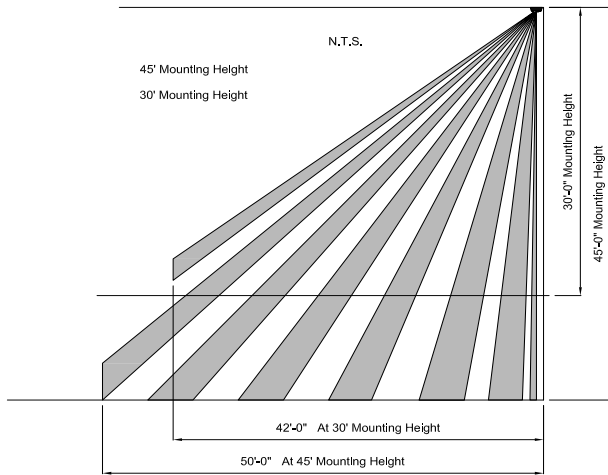
OCCUPANCY SENSORS AND CONTROLLERS

### ADDITIONAL INFORMATION

#### Coverage Patterns



Sensor Lens Coverage and Detection Patterns  
When Mounted at 8ft with Low Mount Lens



Sensor Lens Coverage and Detection Patterns  
When Mounted at 30ft and 45ft with Standard Lens

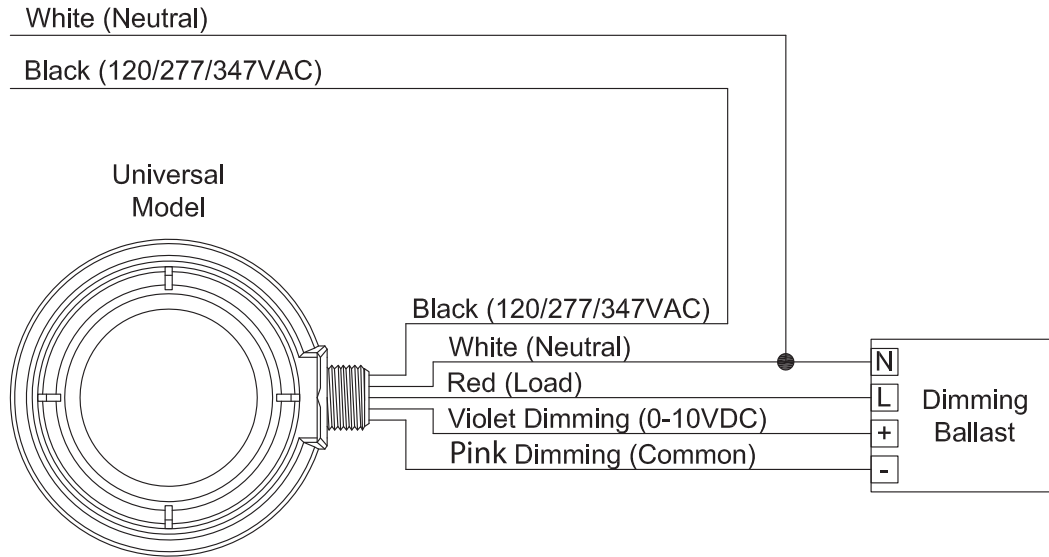
# Lighting Controls

## WSPD SERIES

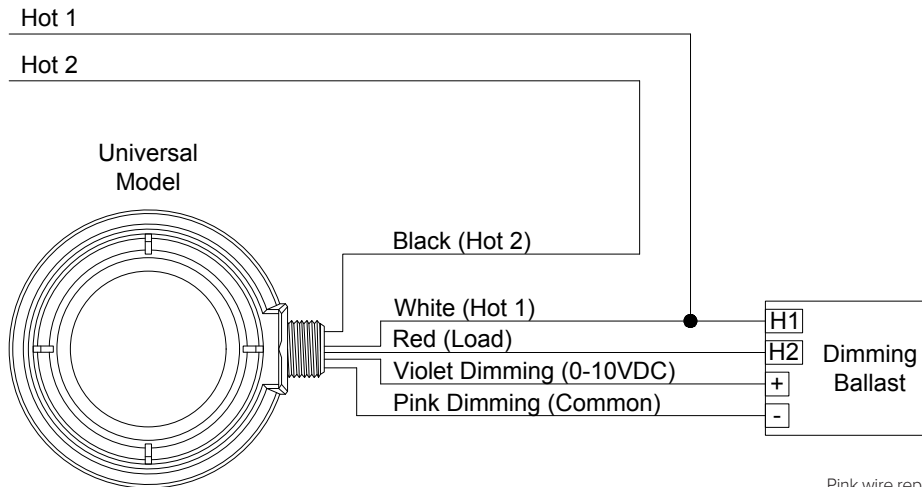
OCCUPANCY SENSORS AND CONTROLLERS

### ADDITIONAL INFORMATION CONTINUED

#### Wiring Diagrams



120/277/347VAC  
Wiring Diagram



208/240 & 480VAC  
Wiring Diagrams

Pink wire replaces previous gray wire. Units with a gray instead of pink wire should be wired as the pink wire shown in the diagram.

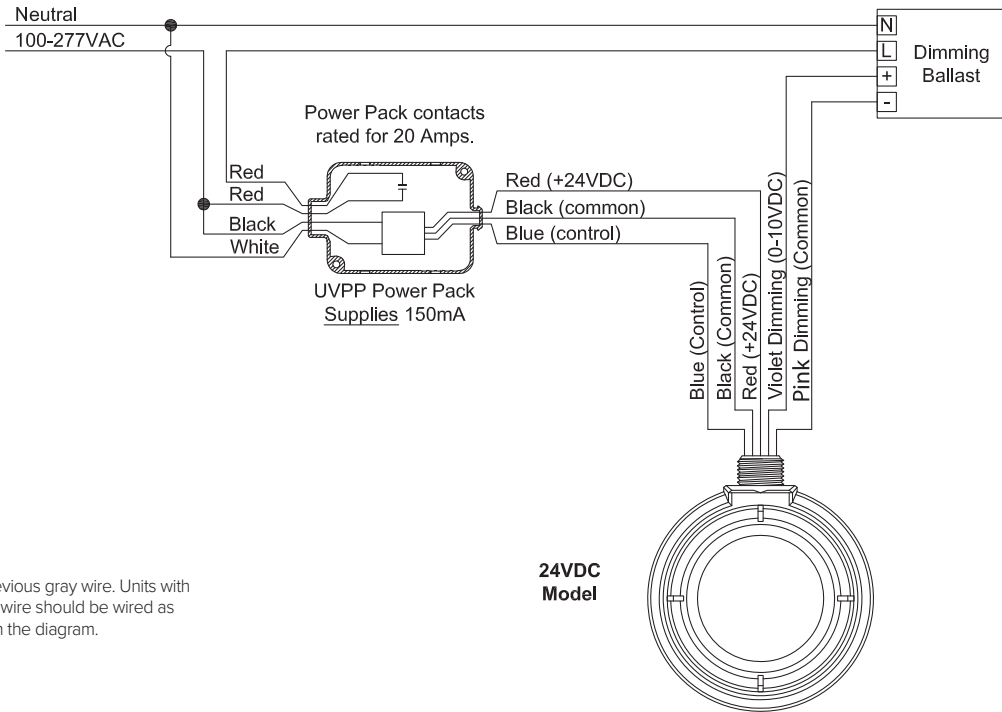
# Lighting Controls

## WSPD SERIES

OCCUPANCY SENSORS AND CONTROLLERS

### ADDITIONAL INFORMATION CONTINUED

#### Wiring Diagrams Continued

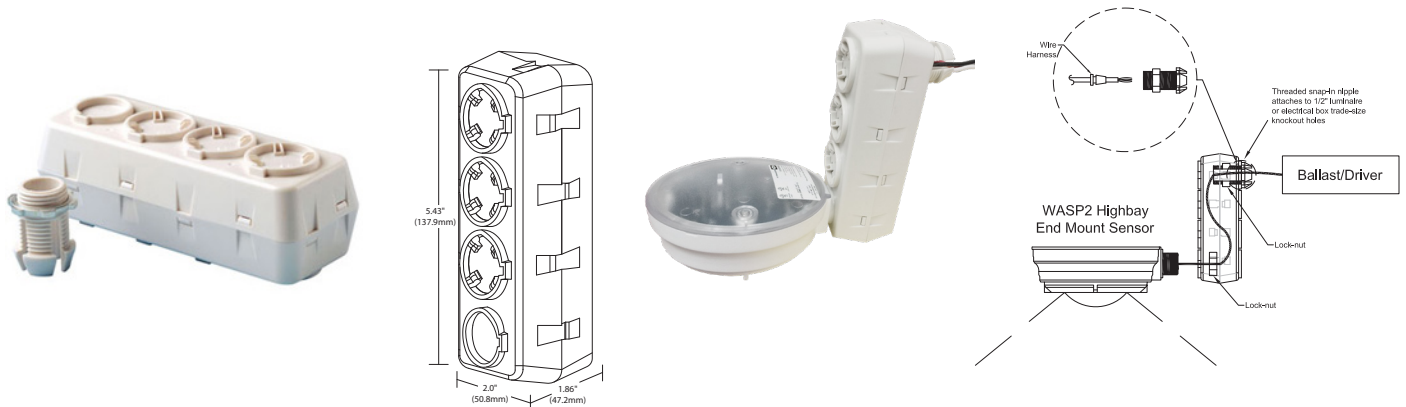


Pink wire replaces previous gray wire. Units with a gray instead of pink wire should be wired as the pink wire shown in the diagram.

24VDC Model

24V Dimming WSPD Wiring Diagram

#### Accessories



The Optional WSPADAPTOR2 offset adaptor can be used to improve the field of view for fixture mounted sensors where the geometry of the fixture might otherwise interfere with the sensor's performance. The adapter snaps into a standard 1/2" (12.7mm) knockout on the end of the fixture and provides several mounting position choices for the sensor.