

A

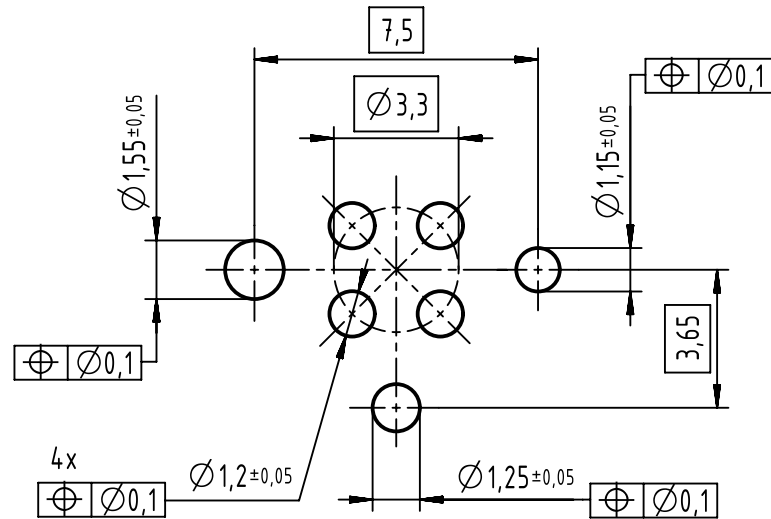
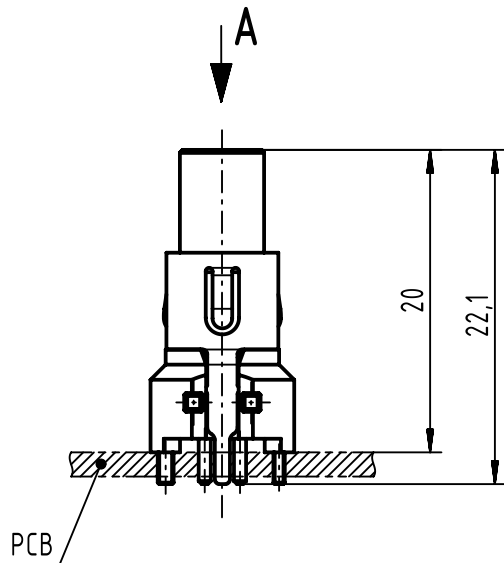
B

C

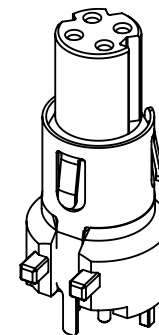
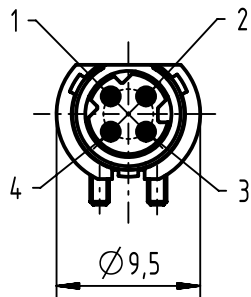
D

PCB-layout

A (5:1)



contact face acc. to IEC 61076-2-114



- recommended PCB: 1.6mm

- 25 pieces per package

	All rights reserved Department EL PD	All Dimensions in mm Original Size DIN A4		Scale 2:1	Free size tol.	Ref.
		HARTING Electronics GmbH D-32339 Espelkamp	Created by HASSE	Inspected by HAEMMERLING	Standardisation KOHLER	Date 2020-02-07
Title M8-PP-PCB-THR-2PC-4P-DCOD-F-STR						Doc-Key / ECM-Nr. 100766435/UGD/002/B 500000166241
Type TB				Number 21023812419		Rev. B
						Page 1/1