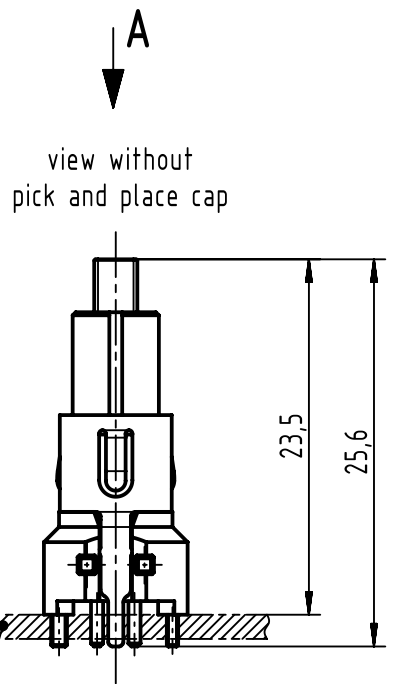
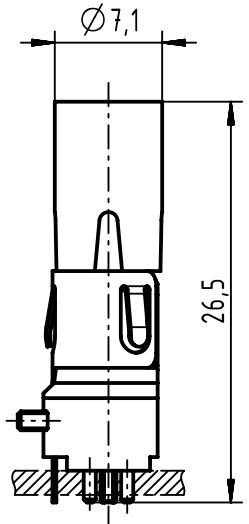
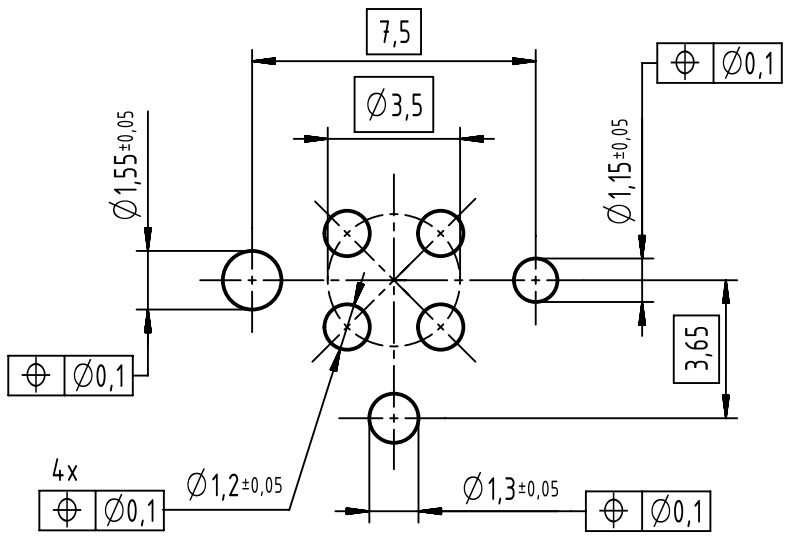


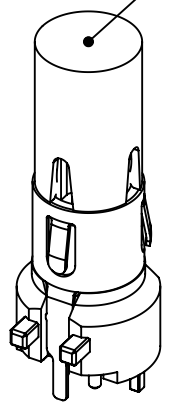
PCB-layout A (5:1)



PCB

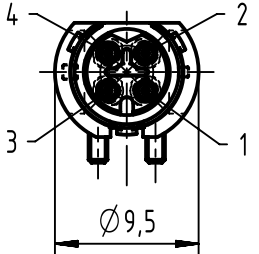


pick and place cap



contact face acc. to IEC 61076-2-114

- recommended PCB: 1.6mm
- 50 pieces per tray



	All rights reserved Department EL PD	All Dimensions in mm Original Size DIN A4		Scale 2:1	Free size tol.	Ref. Sub.
		HARTING Electronics GmbH D-32339 Espelkamp	Created by HASSE	Inspected by HAEMMERLING	Standardisation KOHLER	Date 2020-02-07
Title M8-PP-PCB-THR-2PC-4P-PCOD-F-STR					Doc-Key / ECM-Nr. 100752527/UGD/002/B 500000166241	
			Type TB	Number 21023412418	Rev. B	Page 1/1