

1 2 3 4 5 6

A

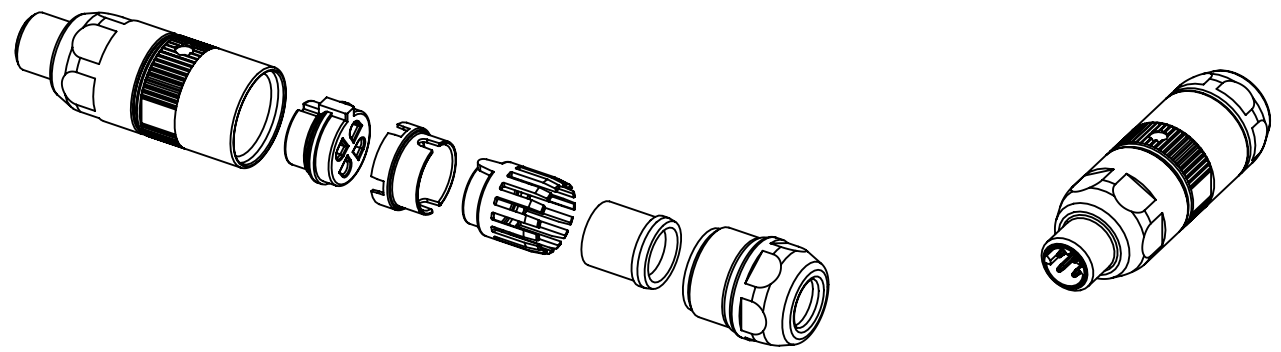
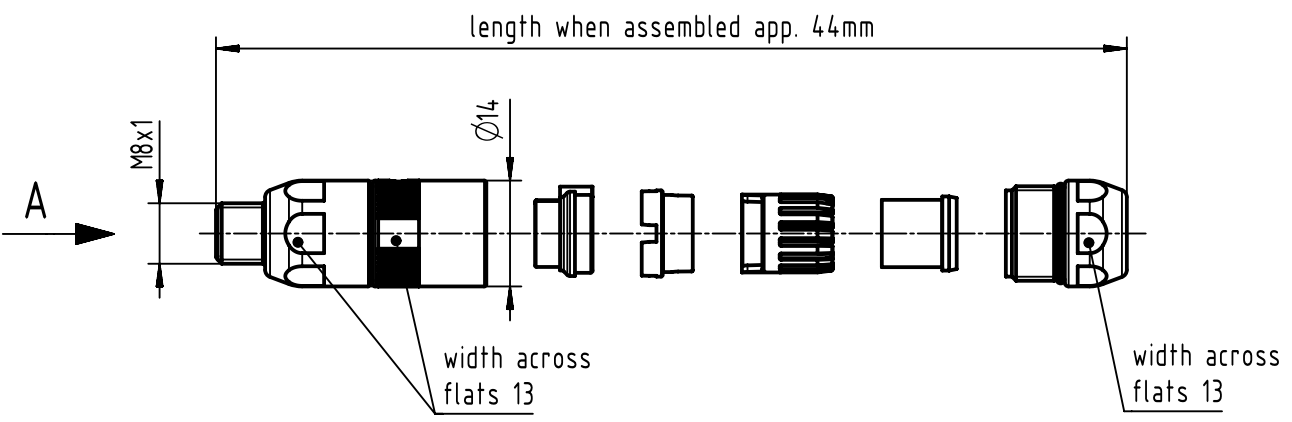
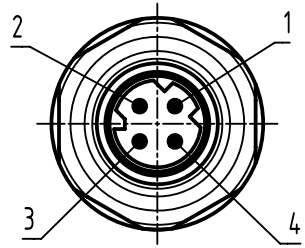
B

C

D

A (2:1)

contact face acc. to
IEC 61076-2-114



conductor cross section	AWG22
cable outside diameter	6.2 - 6.8mm

	All rights reserved Department EL PD HARTING Electronics GmbH D-32339 Espelkamp	All Dimensions in mm Original Size DIN A4	Scale 1:1	Free size tol.	Ref. Sub.
		Created by BUSSMANN	Inspected by FRIESENH	Standardisation 302077	Date 2020-12-04
Title M8-CC-IDC-4P-DCOD-M-STR-SHLD					Doc-Key / ECM-Nr. 100778426/UGD/001/B 500000184191
Type TB			Number 21021851405		Rev. B
					Page 1/1