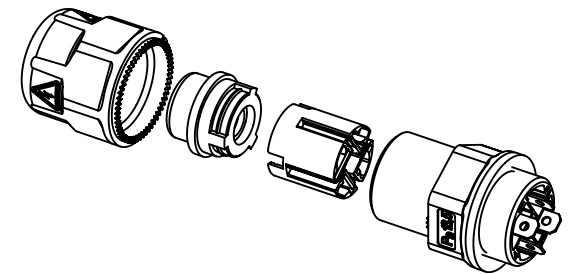
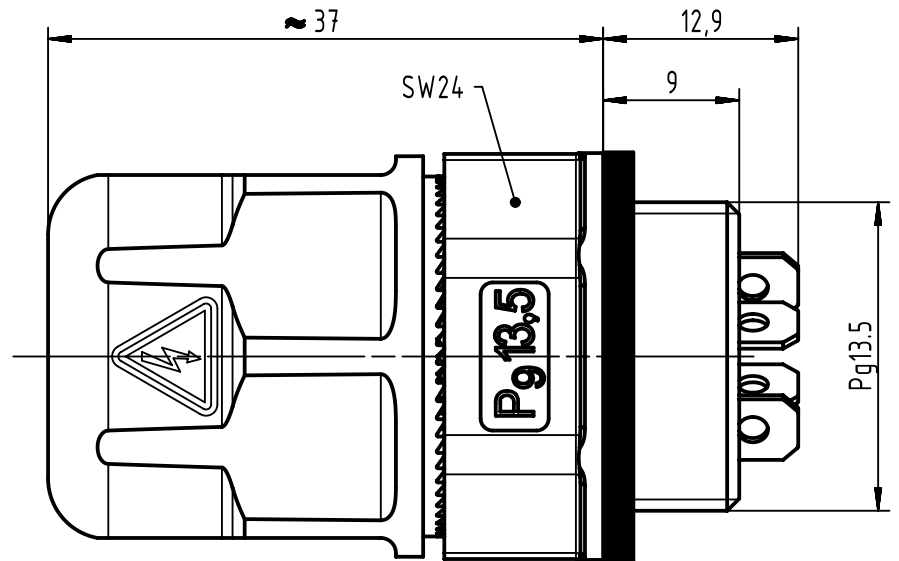
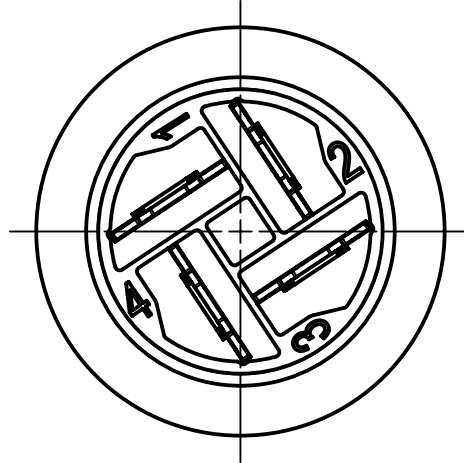
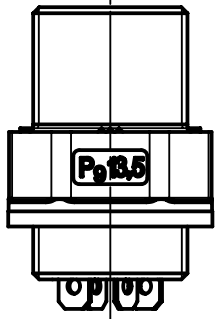
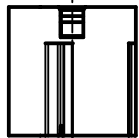
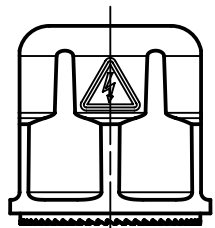


(1:1)



	All rights reserved Department EC PD - DE	All Dimensions in mm Original Size DIN A4		Scale 2:1	Free size tol.	Ref.	
		Created by DYCKC		Inspected by WELLMANN	Standardisation HOFFMANN	Date 2013-11-21	State Final Release
HARTING Electronics GmbH D-32339 Espelkamp		Title HARAX Pg13.5 PFT 4-pole				Doc-Key / ECM-Nr. 100092866/UGD/004/B 500000068402	
		Type TB	Number 21011401023			Rev. B	Page 1/1