

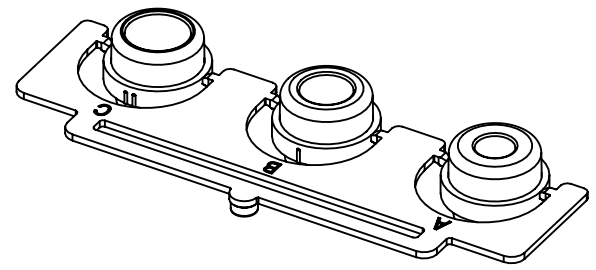
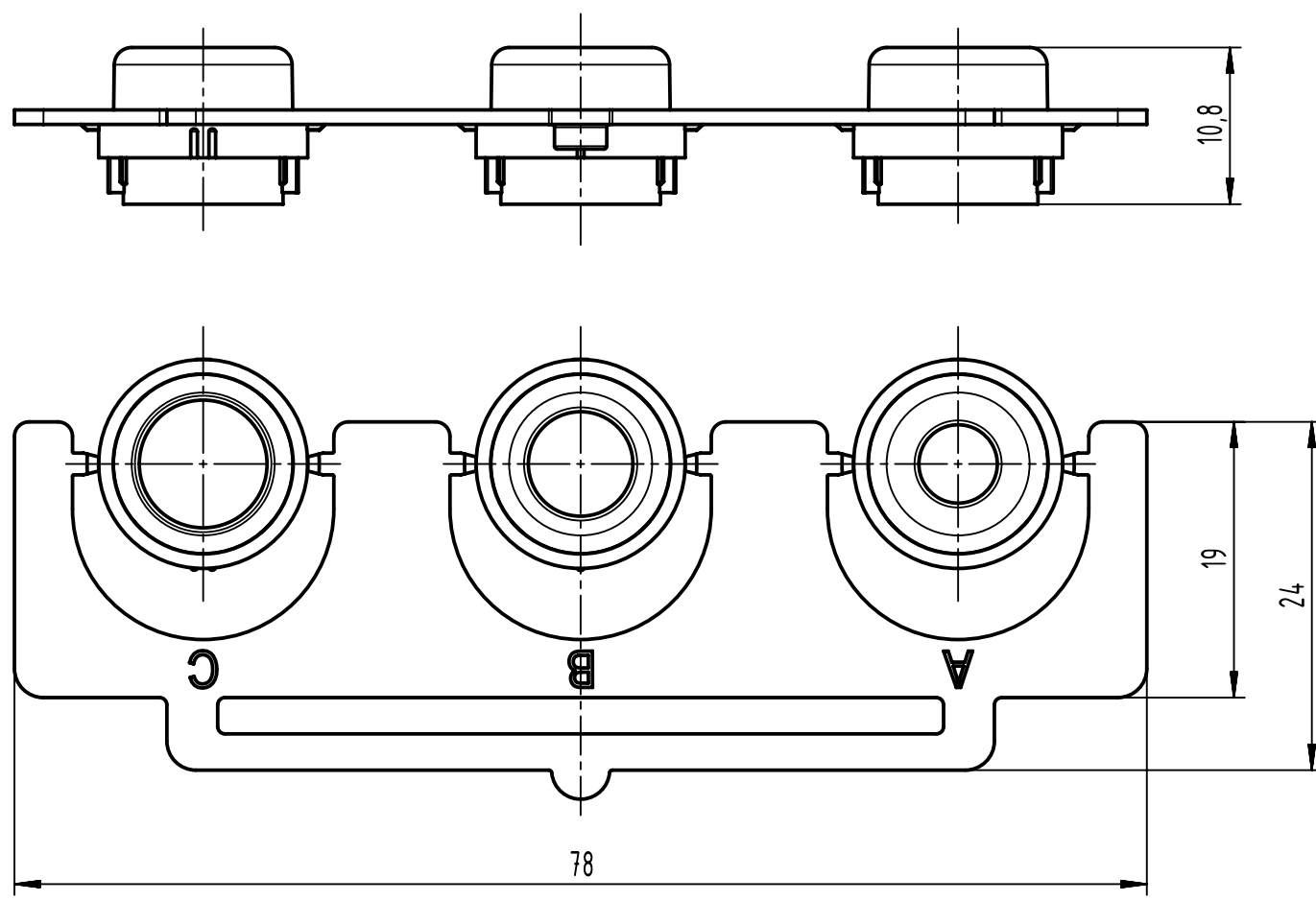
1 2 3 4 5 6


A

B

C

D



	All rights reserved		Scale 2:1	Free size tol.		Ref.	
	Department EL PD		Created by DYCKC	Inspected by EISFELD	Standardisation 302077	Date 2020-11-30	State Final Release
HARTING Electronics GmbH D-32339 Espelkamp			Title M12-L comb with seals			Doc-Key / ECM-Nr. 100183426/UGD/004/D 500000184066	
			Type TB	Number 21010102017		Rev. D	Page 1/1