

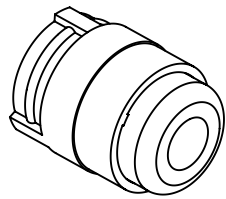
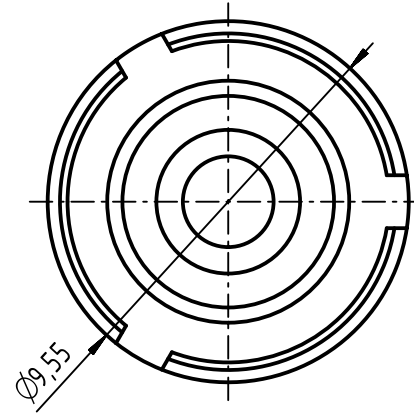
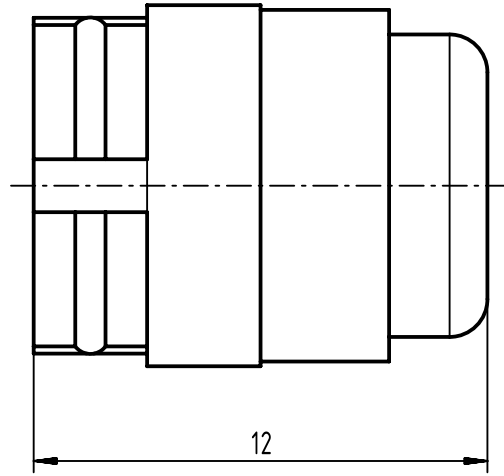
1 2 3 4 5 6

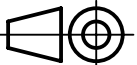

A

B

C

D



 All Dimensions in mm Original Size DIN A4	Scale	Free size tol.			Ref.
	5:1				Sub.
 All rights reserved Department EC PD - DE	Created by	Inspected by	Standardisation	Date	State
	EISFELD	HARLASS	SCHREIER	2017-08-01	Final Release
HARTING Electronics GmbH D-32339 Espelkamp	Title				Doc-Key / ECM-Nr.
	M12-S sealing insert 2.9-4.0mm				100126727/UGD/008/A 500000123018
Type		Number		Rev.	Page
TB		21010102011		A	1/1