

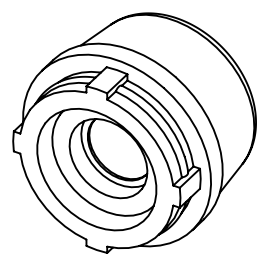
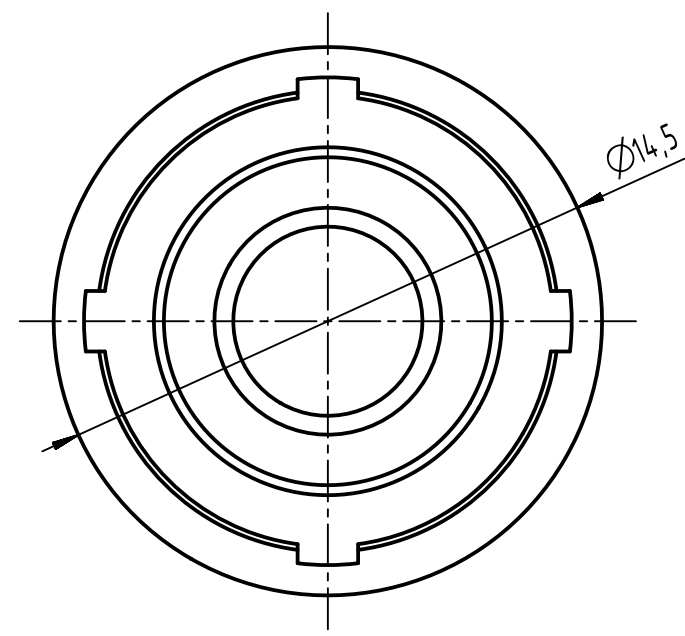
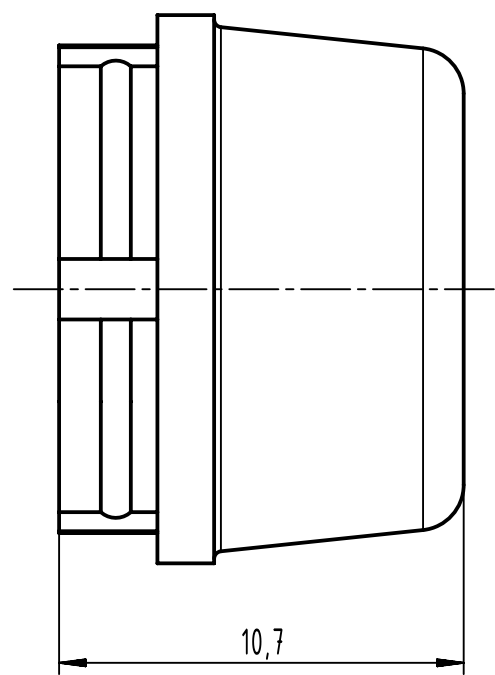
1 2 3 4 5 6


A

B

C

D



| | | | | | | |
|---|---|--|-------------------------|---------------------------|--|------------------------|
|  | All rights reserved Department EL PD | All Dimensions in mm Original Size DIN A4 | | Scale 5:1 | Free size tol. | Ref. |
| | | Created by DYCKC | Inspected by 104.122 | Standardisation 302077 | Date 2020-11-12 | State Final Release |
| HARTING Electronics GmbH D-32339 Espelkamp | | Title M12-L sealing insert 6-8mm | | | Doc-Key / ECM-Nr. 100092994/UGD/002/C 500000176326 | |
| | | Type TB | Number 21010102007 | | Rev. C | Page 1/1 |