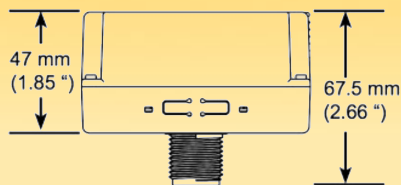
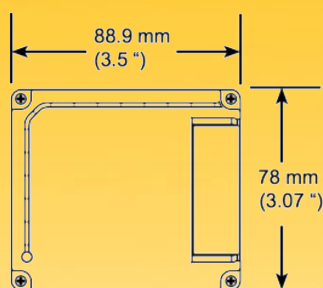


The ILLUMRA 600 W Phase Cut Dimming Controller supports forward or reverse phase dimming.

“The E9X-ER6CD is a phase adaptive line voltage lighting controller that automatically provides reverse or forward phase dimming based on the connected load type. The dimmer makes upgrading to a hybrid lighting system easy, by offering phase-adaptive, line voltage dimming for tungsten, two-wire fluorescent, line-voltage LED, and electronic low-voltage transformer loads (120V only).”

Use as part of a wireless control system to reduce energy consumption or to implement compliance with the latest energy regulations.

- Reverse or forward phase single-channel 600 Watt dimming
- Integrated daylight harvesting control with Photo Inhibit feature
- Easy installation on electrical junction boxes with 1/2 " mounting nipple
- Doubles as a telegram repeater



115 S State St, Suite B  
Lindon, UT 84042

T: (801) 349-1200  
F: (801) 614-7100  
Sales@ILLUMRA.com

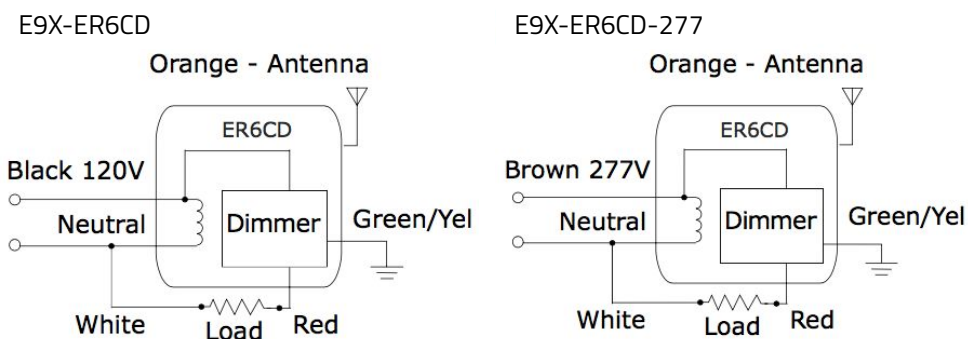
# 600W Phase Cut Dimming Controller

E9X-ER6CD or E9X-ER6CD-277

- **Phase adaptive dimming.** Provides reverse or forward dimming based on connected load type.
- **Central Command support.** For BACnet Management System control
- **Interoperable.** Communicates wirelessly with other devices using the EnOcean wireless standard.



## WIRING DIAGRAM



## SPECIFICATIONS

<b>Power Supply</b>	120 VAC (E9X-ER6C) or 277 VAC (E9X-ER6CD-277) @ 50/60Hz
<b>Power Consumption</b>	4.0 W Idle
<b>Output Load Types</b>	Min. 1 W load – Max. 600 W load <ul style="list-style-type: none"> <li>▪ Tungsten</li> <li>▪ 2-wire Fluorescent</li> <li>▪ Line voltage LED</li> <li>▪ Electric low voltage transformer (120V only)</li> </ul>
<b>RF Communications</b>	EnOcean® Protocol 902 MHz
<b>EEP (EnOcean Equipment Profile)</b>	F6-02-02 (Light and Blinds Control - US/Canada application) A5-06-02 (Light Sensor [range 0 - 1024 lux ]) A5-07-01 (Occupancy Sensor) A5-38-08 (Central command, switching, dimming and set point)
<b>Transmission Range</b>	50-150 feet (typical)
<b>Operational Temperature</b>	CSA: 32°F to 104°F (0°C to 40°C) UL: 32°F to 122°F (0°C to 50° C)
<b>Relative Humidity</b>	5% to 95% RH (non-condensing)
<b>Dimensions</b>	3.5 x 3.1 x 1.9 inches (89 x 78 x 47 mm)
<b>Agency Compliance</b>	ETL, UL, FCC, & IC compliant