

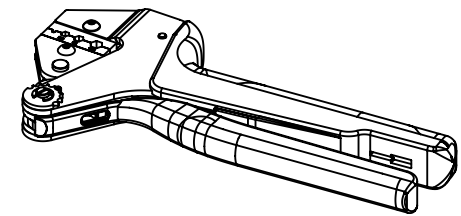
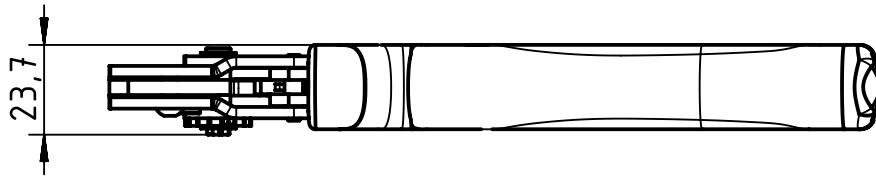
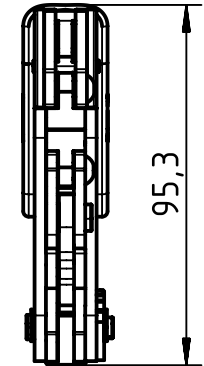
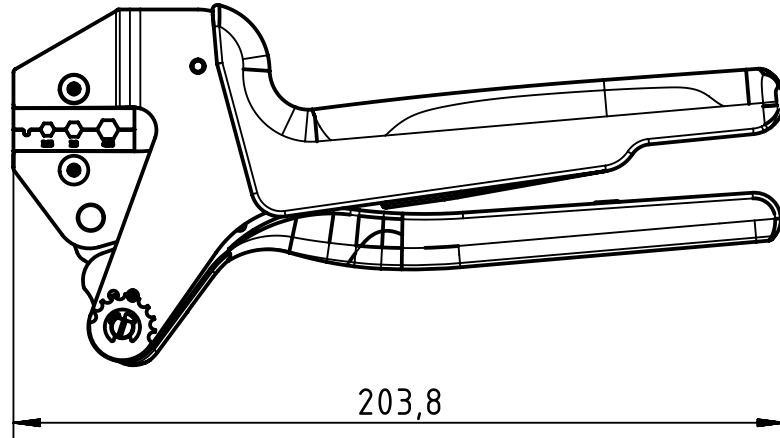
1 2 3 4 5 6

A

B



C

D



cross section range:

- profil 1 SW 3,25 mm
- profil 2 SW 3,8 mm
- profil 3 SW 4,95 mm

	 All Dimensions in mm Original Size DIN A4	Scale 1:2	Free size tol.		Ref.	
	All rights reserved Department EL PD - DE	Created by FINKEV	Inspected by RIEPE	Standardisation TIEMANNA	Date 2016-05-13	State Final Release
HARTING Electric GmbH & Co. KG D-32339 Espelkamp		Title Crimping tool for glass fibre			Doc-Key / ECM-Nr. 100642665/UGD/000/C 500000104470	
		Type TB	Number 20 99 000 1031		Rev. C	Page 1/1