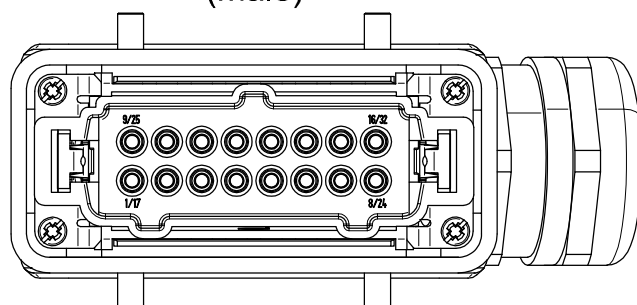


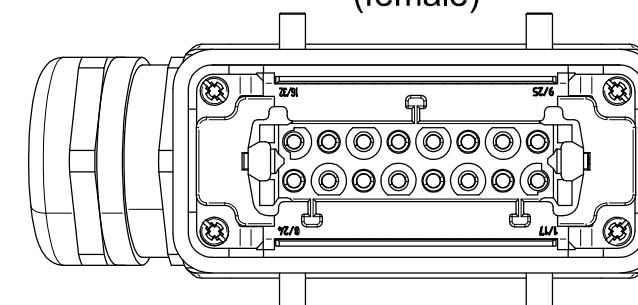
L = 1.0 m : 20 87 146 9002 100  
 L = 2.0 m : 20 87 146 9002 200

\* If a different length is required, contact your local HARTING office for part numbers and support.

MATING FACE  
(male)



MATING FACE  
(female)



PIN-OUT

MALE INSERT	CABLE	FEMALE INSERT
PIN 1	#1 (BLACK)	PIN 1
PIN 2	#2 (BLACK)	PIN 2
PIN 3	#3 (BLACK)	PIN 3
PIN 4	#4 (BLACK)	PIN 4
PIN 5	#5 (BLACK)	PIN 5
PIN 6	#6 (BLACK)	PIN 6
PIN 7	#7 (BLACK)	PIN 7
PIN 8	#8 (BLACK)	PIN 8
PIN 9	#9 (BLACK)	PIN 9
PIN 10	#10 (BLACK)	PIN 10
PIN 11	#11 (BLACK)	PIN 11
PIN 12	#12 (BLACK)	PIN 12
PIN 13	#13 (BLACK)	PIN 13
PIN 14	#14 (BLACK)	PIN 14
PIN 15	#15 (BLACK)	PIN 15
PIN 16	#16 (BLACK)	PIN 16
PE	GREEN/YELLOW	PE

Notes:  
 1. Contacts use crimp style termination.

DESCRIPTION	REV	DATE	NAME	HARTING PART NUMBER
				20 87 146 9002 L00
				DESCRIPTION
				UL2237 Cable Assembly Han 16 E, side-entry, 2-lever
				DRAWING NUMBER
				20871469002L00
				REVISION
				A
RELEASED FOR PRODUCTION	A	10/16/15	ERW	REFERENCE
PRELIMINARY RELEASE	-	08/03/15	WOODWORTH	UL2237 ASSEMBLIES
Standard HARTING tolerances apply unless otherwise specified.				SHEET
This drawing is property of HARTING Manufacturing Inc. No exploitation or transfer of information contained herein is permitted without written consent / agreement of HM.				1/1
HARTING INC. OF NORTH AMERICA 1370 BOWES ROAD ELGIN, IL 60123 PH: (847) 741-1500				

D  
C  
B  
A