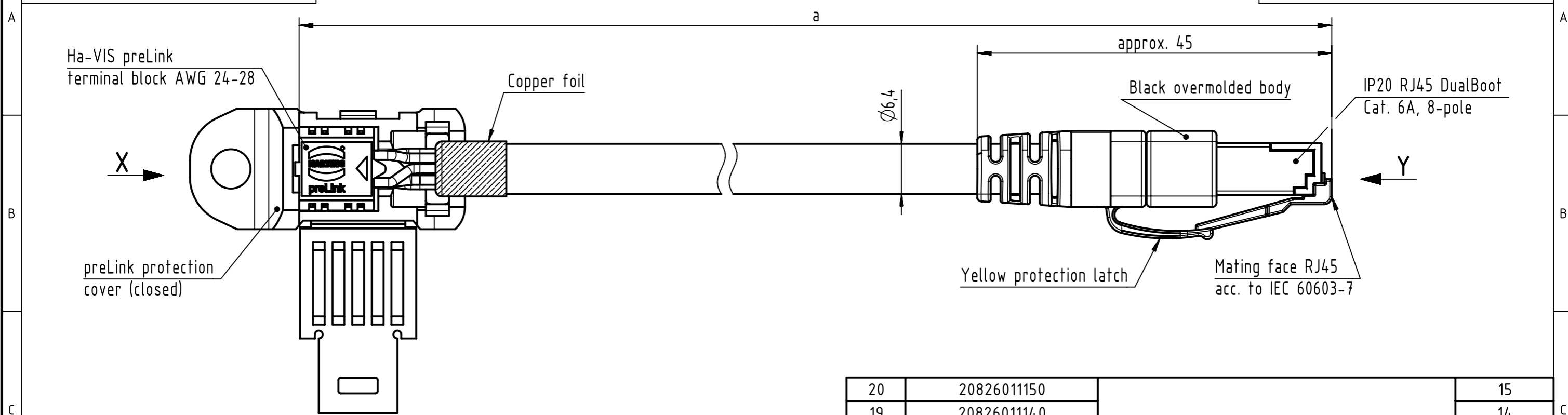
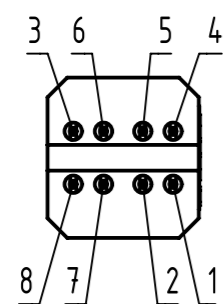


Connector Location A

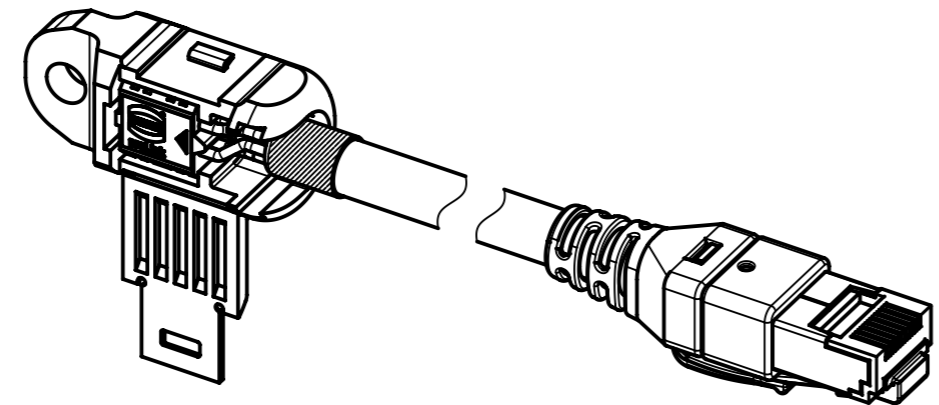
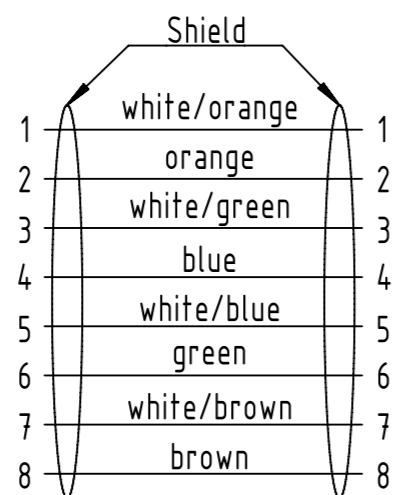
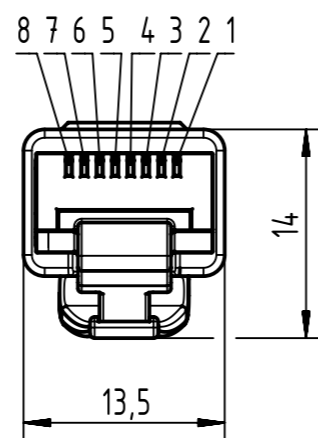
Connector Location B



**X**  
(without preLink protection cover)



**Y**  
male



20	20826011150		15
19	20826011140		14
18	20826011130		13
17	20826011120		12
16	20826011110		11
15	20826011100		10
14	20826011090		9
13	20826011080		8
12	20826011075		7.5
11	20826011070		7
10	20826011060		6
9	20826011050		5
8	20826011040		4
7	20826011030		3
6	20826011020		2
5	20826011010		1
4	20826011008		0.8
3	20826011006		0.6
2	20826011004		0.4
1	20826011002		0.2
Cont. no.	Part no.	Type of cable	Dim. a[m]
		4x2xAWG 26/7, S/FTP, PUR, Cat.7, yellow	

- Protection level: IP20  
 - Temperature range: - Fixed installation: -30°C ...+75°C  
 - Dynamic installation: -5°C ...+50°C

All Dimensions in mm

Tech. Character.

Free size tol.

According to production drawing

**HARTING** All rights reserved  
 Department HCS - RO

Created by BANIUD Banciu

Inspected by COSTEA Costea

Standardisation MUNTEANV Muntean

Date 2019-11-19

State Final Release

HARTING Customised Solutions  
 D-32339 Espelkamp

Title System cable preLink 1x terminal module and RJ45

Type TB

Number 20826011XXX

Doc-Key / ECM-Nr. 100209762/UGD/002/D 50000160481

Rev. D

Page 1/1