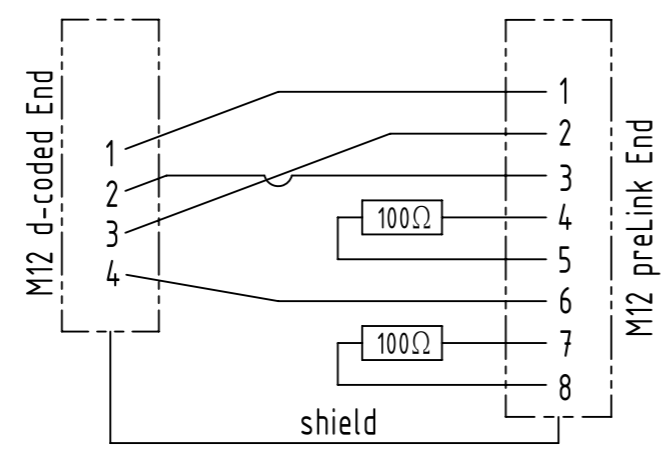
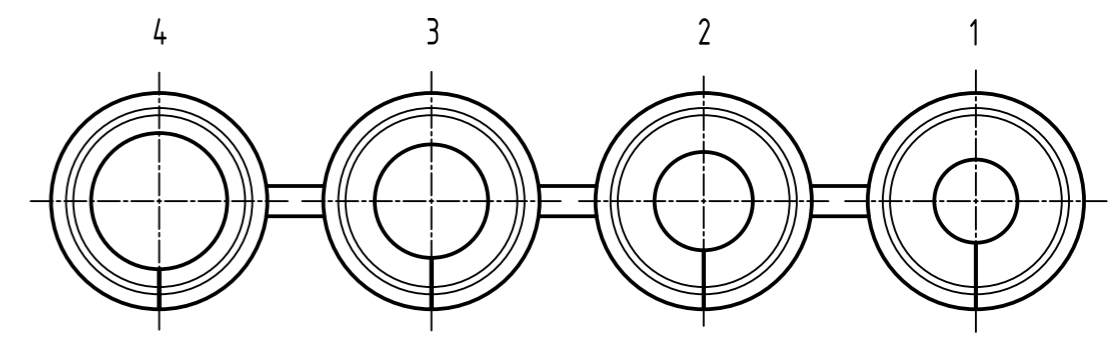
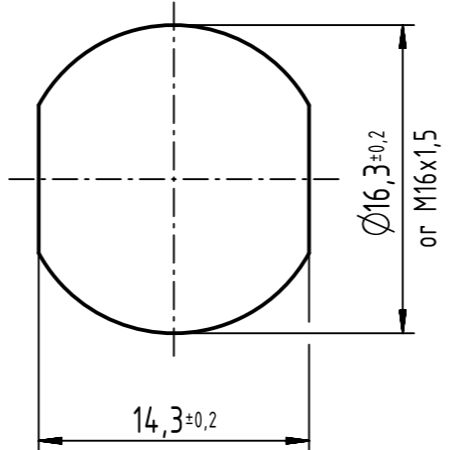


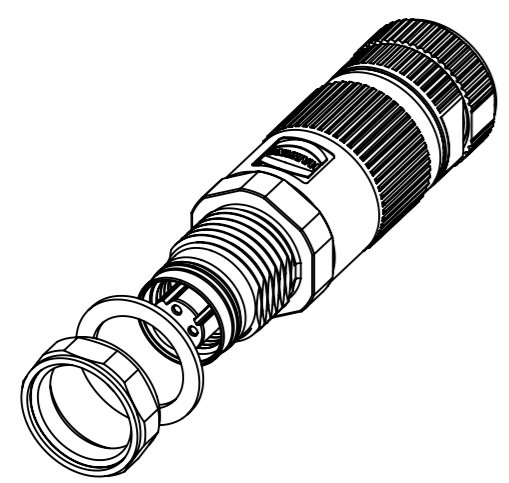
circuit diagram



panel cut out (1:1)



Sealing (1) - cable diameter 5.0-6.5 mm
 Sealing (2) - cable diameter 6.0-7.5 mm
 Sealing (3) - cable diameter 7.5-8.5 mm
 Sealing (4) - cable diameter 8.5-9.5 mm



This set includes the shown M12 enclosure parts and the M12 insert.
 Usable preLink termination blocks are:
 - 20 82 000 0001 (8-pole AWG 22/23, yellow)
 - 20 82 000 0003 (8-pole AWG 26/27, transparent)
 - 20 82 000 0005 (XL) (4-pole AWG 22/23, black)
 Depending of the used data cable the copper foil p/n 0945 800 0200 can be useful.

	All rights reserved Department EL PD HARTING Electronics GmbH D-32339 Espelkamp	All Dimensions in mm Original Size DIN A3		Scale 2:1	Free size tol.	Ref. Sub.
		Created by BALSAN	Inspected by PRIESTER	Standardisation HOFFMANN	Date 2019-05-14	State Final Release
Title preLink M12 cable jack D-cod. 4-pole		Type TB	Number 20820052001	Rev. D	Page 1/1	