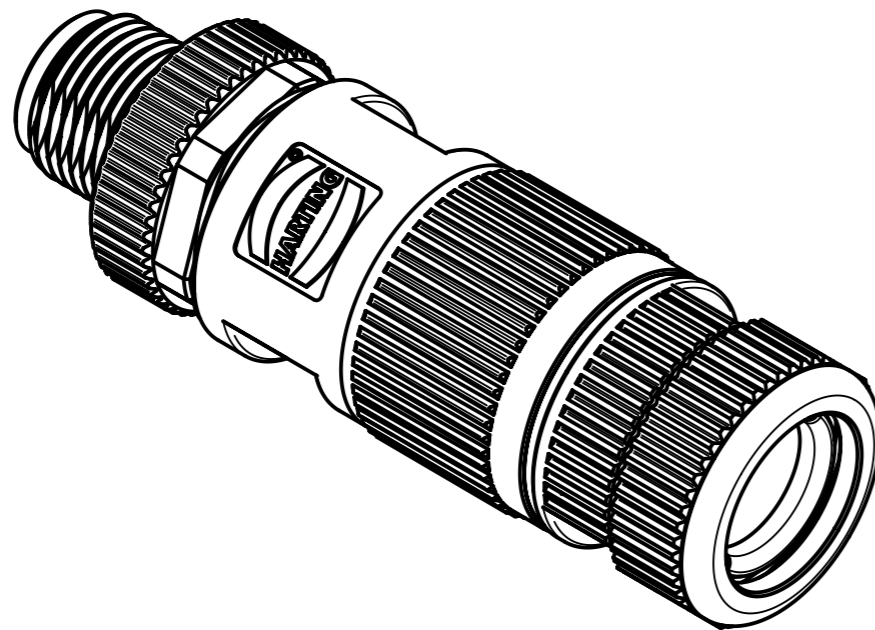



Sealing (1) - cable diameter 5.0-6.5 mm
 Sealing (2) - cable diameter 6.0-7.5 mm
 Sealing (3) - cable diameter 7.5-8.5 mm
 Sealing (4) - cable diameter 8.5-9.5 mm



	All rights reserved Department EC PD - RO	All Dimensions in mm Original Size DIN A3		Scale 2:1	Free size tol.	Ref. Sub.
		Created by TAMAS	Inspected by AVRAM	Standardisation HOFFMANN	Date 2016-03-08	State Final Release
HARTING Electronics GmbH D-32339 Espelkamp		Title hood preLink M12			Doc-Key / ECM-Nr. 100231432/UGD/002/C 500000101499	
		Type TB	Number 20820001210		Rev. C	Page 1/1