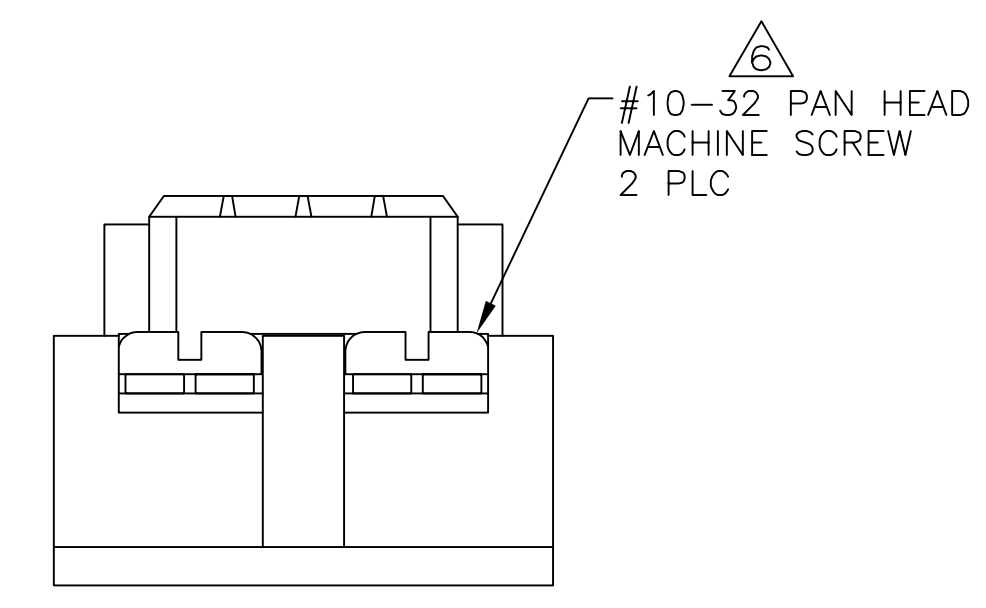
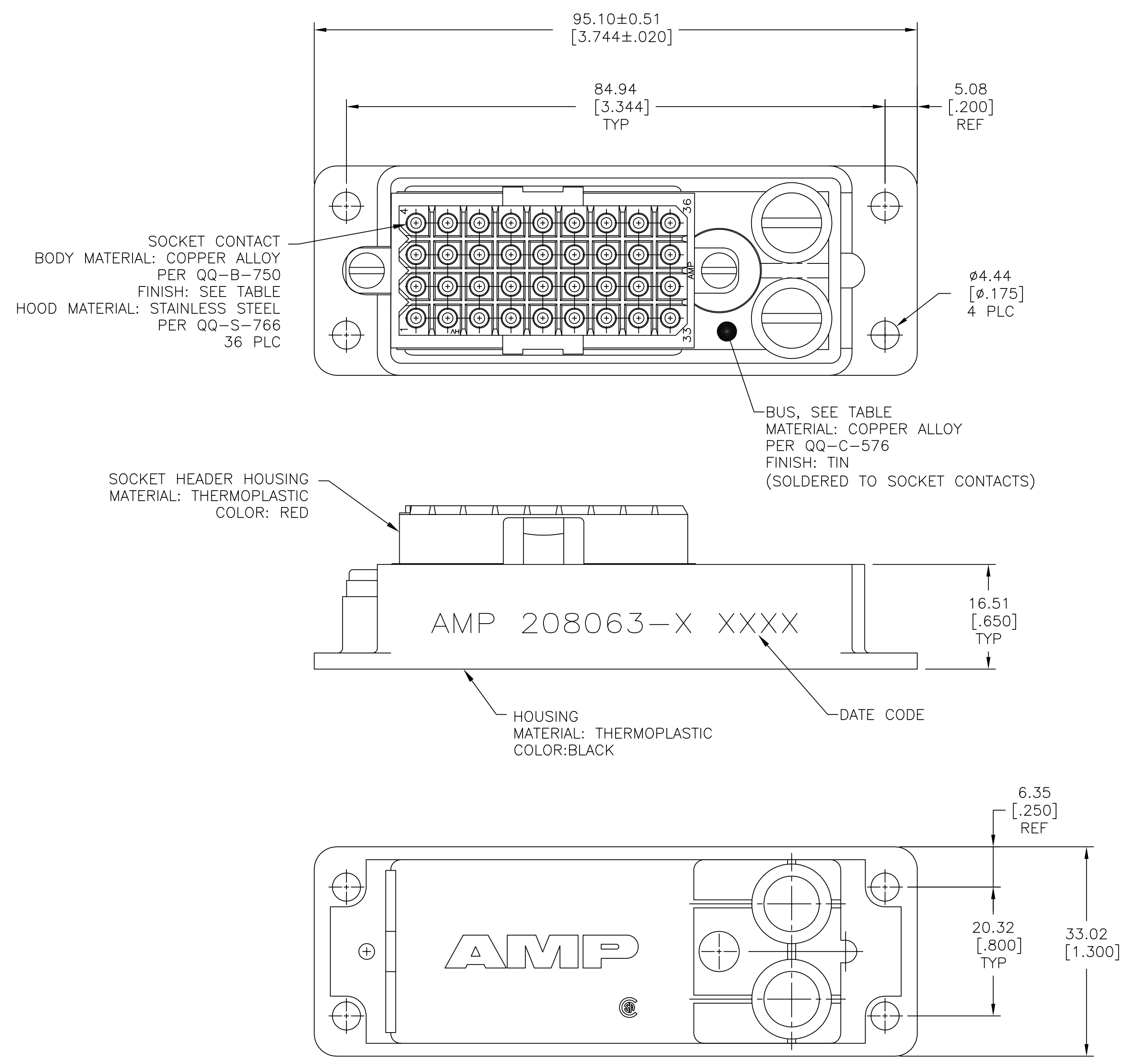


REVISIONS				
P	LTR	DESCRIPTION	DATE	OWN APVD
G		REVISED PER 0G3B-0188-05	4/22/05	SS GS
G1		REVISED PER ECO-09-020935	11SEP09	KK AEG
H		REVISED PER ECO-17-009310	28JUN2017	RS MZ



- MATES WITH RECEPTACLE 207020-1.
- TIN-LEAD OVER NICKEL PER QQ-N-290.
- GOLD FLASH PER MIL-G-45204 OVER 1.27um [.000050] MIN NICKEL PER QQ-N-290 ON ENTIRE CONTACT, WITH 0.76um [.000030] MIN GOLD PER MIL-G-45204 ON ELECTRICAL ENGAGEMENT AREA ONLY.
- ALL CIRCUITS COMMONED TO BUS.
- CONNECTOR IS DIVIDED LENGTHWISE WITH CIRCUITS 1, 2, 5, 6, 9, 10, 13, 14, 17, 18, 21, 22, 25, 26, 29, 30, 33 AND 34 COMMONED, AND CIRCUITS 3, 4, 7, 8, 11, 12, 15, 16, 19, 20, 23, 24, 27, 28, 31, 32, 35 AND 36 COMMONED.
- WILL ACCEPT RING TONGUE TERMINALS, STUD SIZE 10.
- TIN OVER NICKEL PER QQ-N-290.
- OBSELETE PARTS: OBSELETE CIS STREAMLINING PER D.RENAUD/D.SINISI

OBSOLETE	DUAL, 18 POSITION	5	7	3	208063-7
	DUAL, 18 POSITION	5	7	7	208063-6
	FULL, 36 POSITION	4	7	7	208063-5
OBSOLETE	DUAL, 18 POSITION	5	2	3	208063-4
	FULL, 36 POSITION	4	2	3	208063-3
	DUAL, 18 POSITION	5	2	2	208063-2
	FULL, 36 POSITION	4	2	2	208063-1
BUS TYPE		TAIL FINISH	POST FINISH	PART NO	

THIS DRAWING IS A CONTROLLED DOCUMENT.

DIN D.GELTZ 08/06/92
 CHK J.McCLINTON 8-27-92
 APVD A. TRAVIS 8-27-92

TE Connectivity

NAME COMMONING DEVICE ASSEMBLY, 36 POSITION, METRIMATE

SIZE A1 CAGE CODE 00779 DRAWING NO. 208063

RESTRICTED TO

CUSTOMER DRAWING SCALE 2:1 SHEET 1 OF 1 REV H