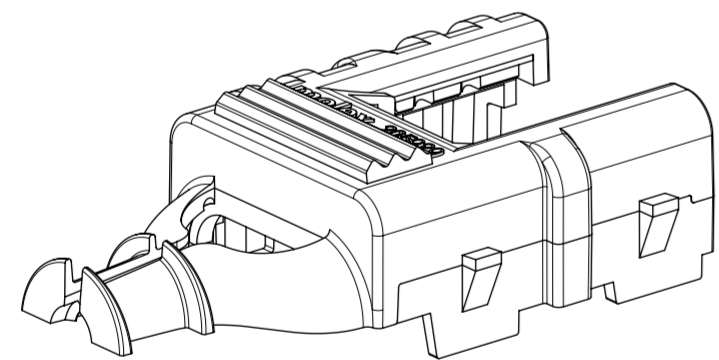
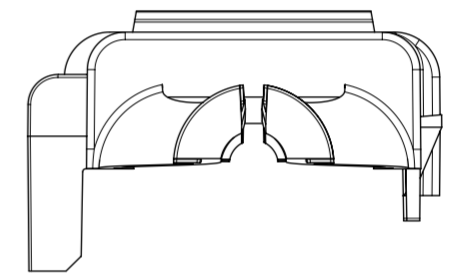
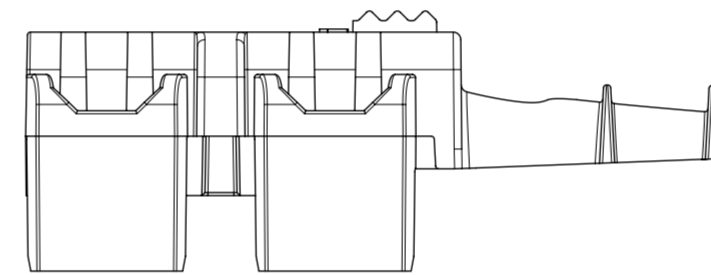
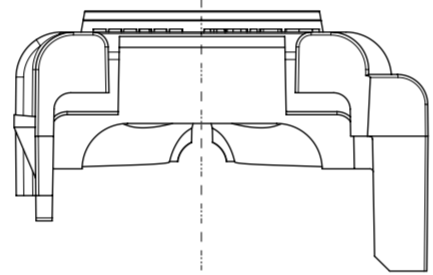
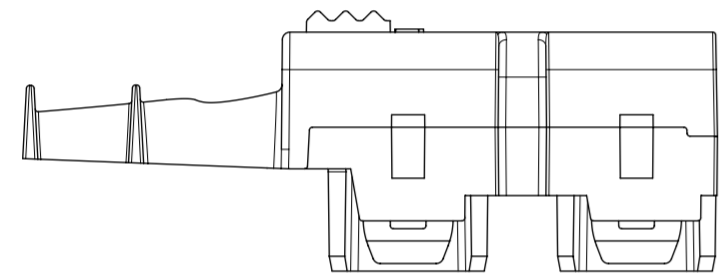
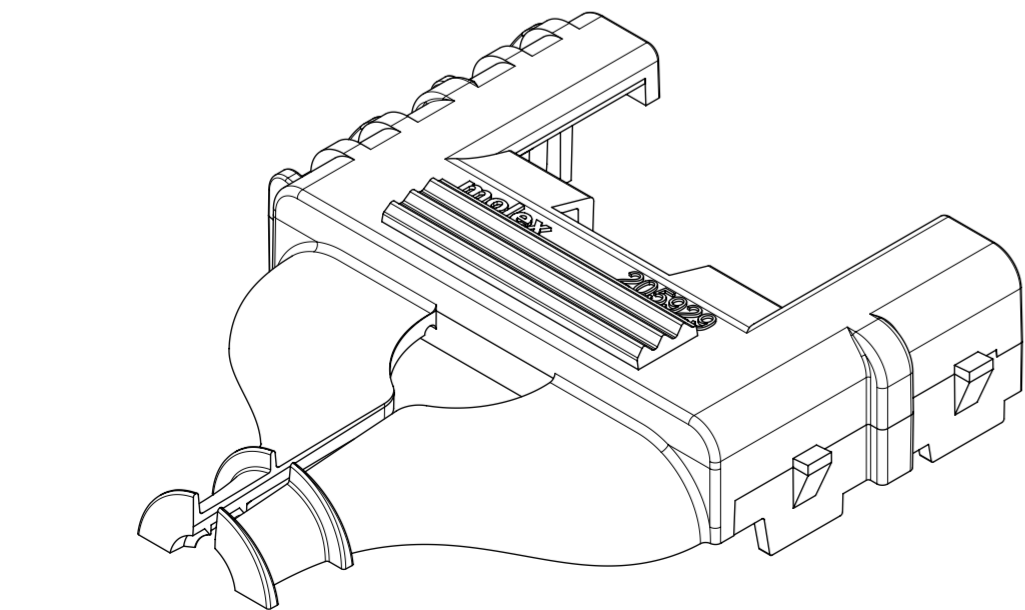
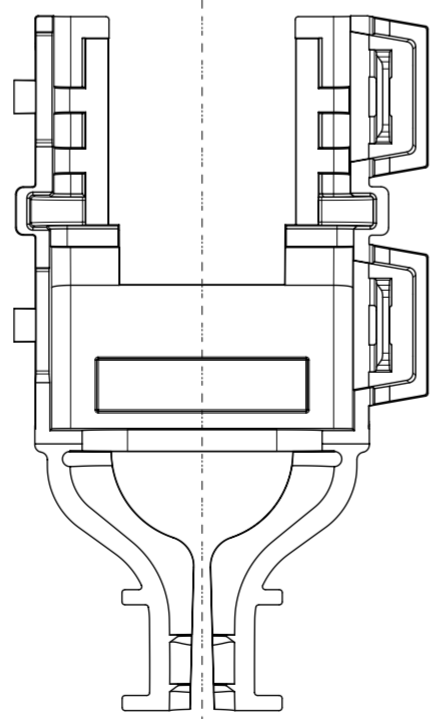


NOTES:

1. BACKSHELL MATERIAL:
PEI, UL RATED 94V-0
COLOR: SEE LEGEND
2. USE WITH PLUG/RECEPTACLE HOUSING SERIES (205925/205926)
3. 2 PARTS SNAP INTO EACH OTHER WITH 205925/205926 SERIES PARTS IN AN ASSEMBLY
4. PRODUCT SPECIFICATION: 2059250000-PS
5. APPLICATION SPECIFICATION : 2059250000-AS
6. TEST SUMMARY: 2059250000-TS
7. PACKAGING SPECIFICATION: 2059290000-PK
8. COSMETIC SPECIFICATION PS-45499-002 CLASS B



8 CIRCUIT



20 CIRCUIT

PN LEGEND
205929-0XXX

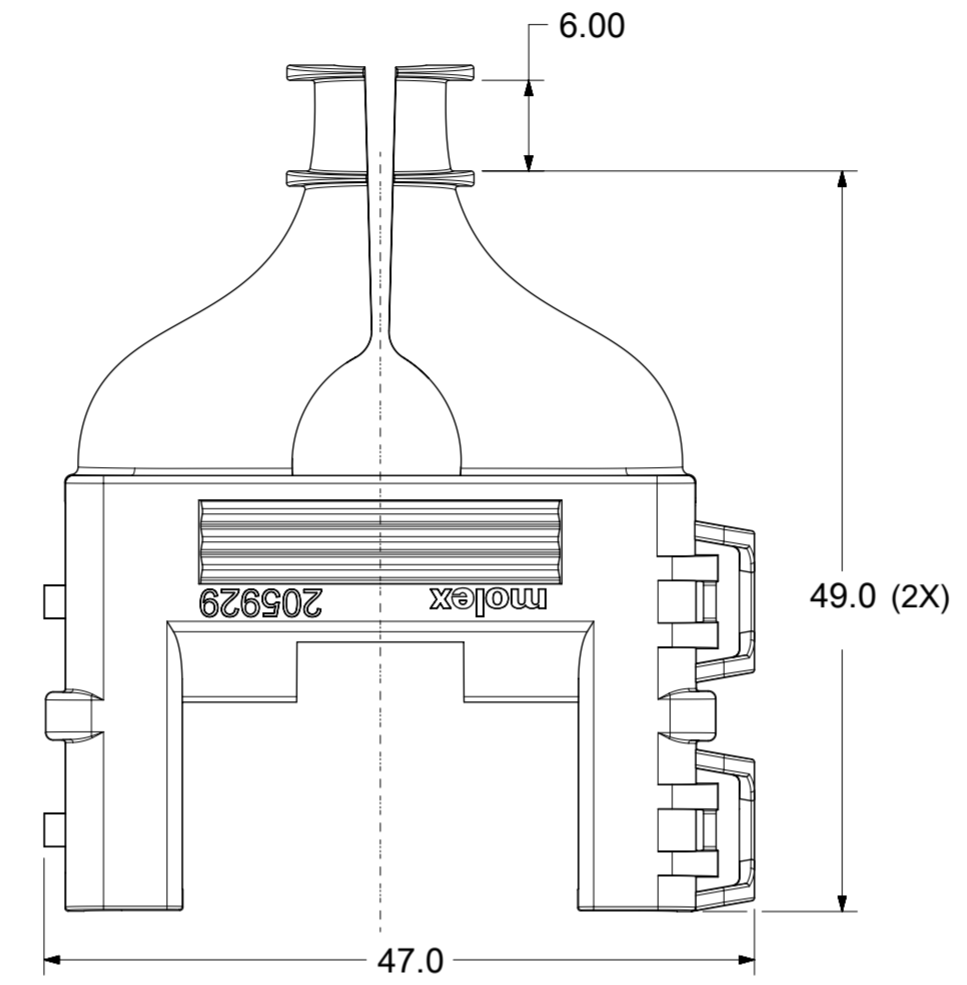
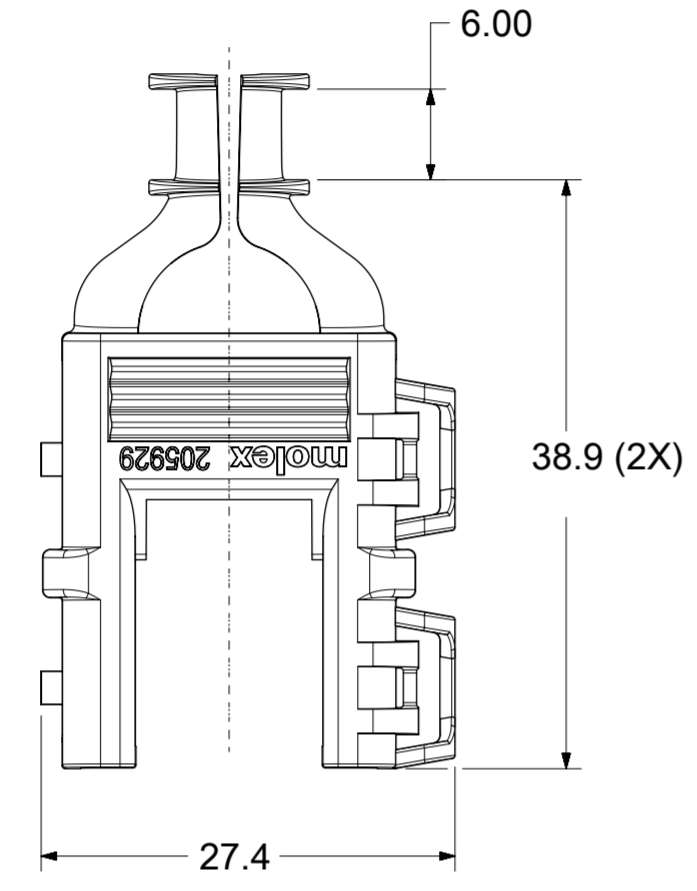
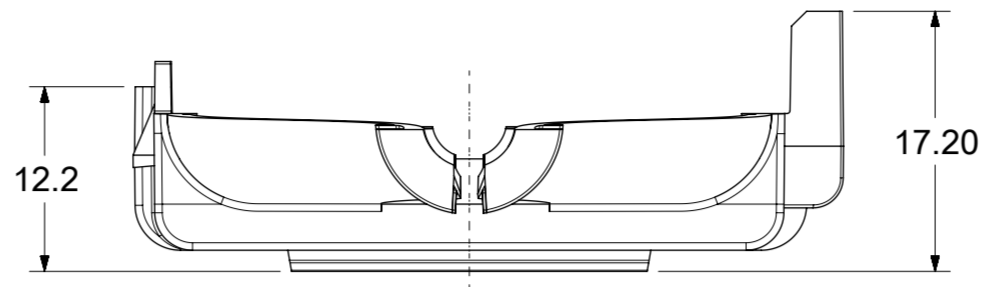
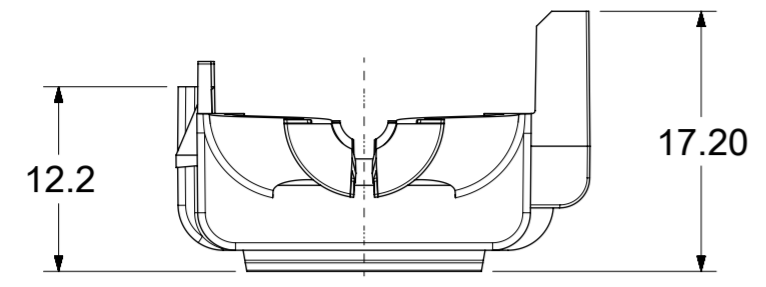
COLOUR
0 - BLACK
1 - NATURAL

CIRCUIT SIZE
08 - EIGHT CIRCUIT
20 - TWENTY CIRCUIT

THIS DRAWING CONTAINS INFORMATION THAT IS PROPRIETARY TO MOLEX ELECTRONIC TECHNOLOGIES, LLC AND SHOULD NOT BE USED WITHOUT WRITTEN PERMISSION

DIMENSION UNITS	SCALE	CURRENT REV DESC: INITIAL RELEASE		molex				
mm	2:1							
GENERAL TOLERANCES (UNLESS SPECIFIED)		EC NO: 612148		MULTICAT MID POWER BACKSHELL WTW				
ANGULAR TOL	± °	DRWN: NMANE02	2019/02/15					
4 PLACES	±	CHK'D: MRAMAKRISHNA	2019/02/25	PRODUCT CUSTOMER DRAWING				
3 PLACES	±	APPR: MRAMAKRISHNA	2019/02/25					
2 PLACES	± 0.25	INITIAL REVISION:		DOCUMENT NUMBER				
1 PLACE	± 0.4	DRWN: MRAMAKRISHNA	2018/02/08	2059290000-SD		DOC TYPE	DOC PART	REVISION
0 PLACES	±	APPR: ISHWARG	2019/02/11	See Sheet 2		PSD	000	A1
DRAFT WHERE APPLICABLE MUST REMAIN WITHIN DIMENSIONS		THIRD ANGLE PROJECTION	DRAWING	SERIES	MATERIAL NUMBER	CUSTOMER		SHEET NUMBER
			A2-SIZE	205929	See Sheet 2	GENERAL MARKET		1 OF 2

DOCUMENT STATUS	P1	RELEASE DATE	2019/02/25	14:52:51
-----------------	----	--------------	------------	----------



205929-0080/205929-0081

205929-0200/205929-0201

THIS DRAWING CONTAINS INFORMATION THAT IS PROPRIETARY TO MOLEX ELECTRONIC TECHNOLOGIES, LLC AND SHOULD NOT BE USED WITHOUT WRITTEN PERMISSION									
DIMENSION UNITS		SCALE		CURRENT REV DESC: INITIAL RELEASE					
mm		2:1							
GENERAL TOLERANCES (UNLESS SPECIFIED)				EC NO: 612148				MULTICAT MID POWER BACKSHELL WTW PRODUCT CUSTOMER DRAWING	
ANGULAR TOL ± °				DRWN: NMANE02 2019/02/15					
4 PLACES ±				CHK'D: MRAMAKRISHNA 2019/02/25					
3 PLACES ±				APPR: MRAMAKRISHNA 2019/02/25				DOCUMENT NUMBER 2059290000-SD	
2 PLACES ± 0.25				INITIAL REVISION:					
1 PLACE ± 0.4				DRWN: MRAMAKRISHNA 2018/02/08					
0 PLACES ±				APPR: ISHWARG 2019/02/11					
DRAFT WHERE APPLICABLE MUST REMAIN WITHIN DIMENSIONS		THIRD ANGLE PROJECTION		DRAWING		SERIES		MATERIAL NUMBER	
				A2-SIZE		205929		See Sheet 2	
DOCUMENT STATUS		RELEASE DATE		CUSTOMER		SHEET NUMBER		REVISION	
P1		2019/02/25 14:52:51		GENERAL MARKET		2 OF 2		A1	