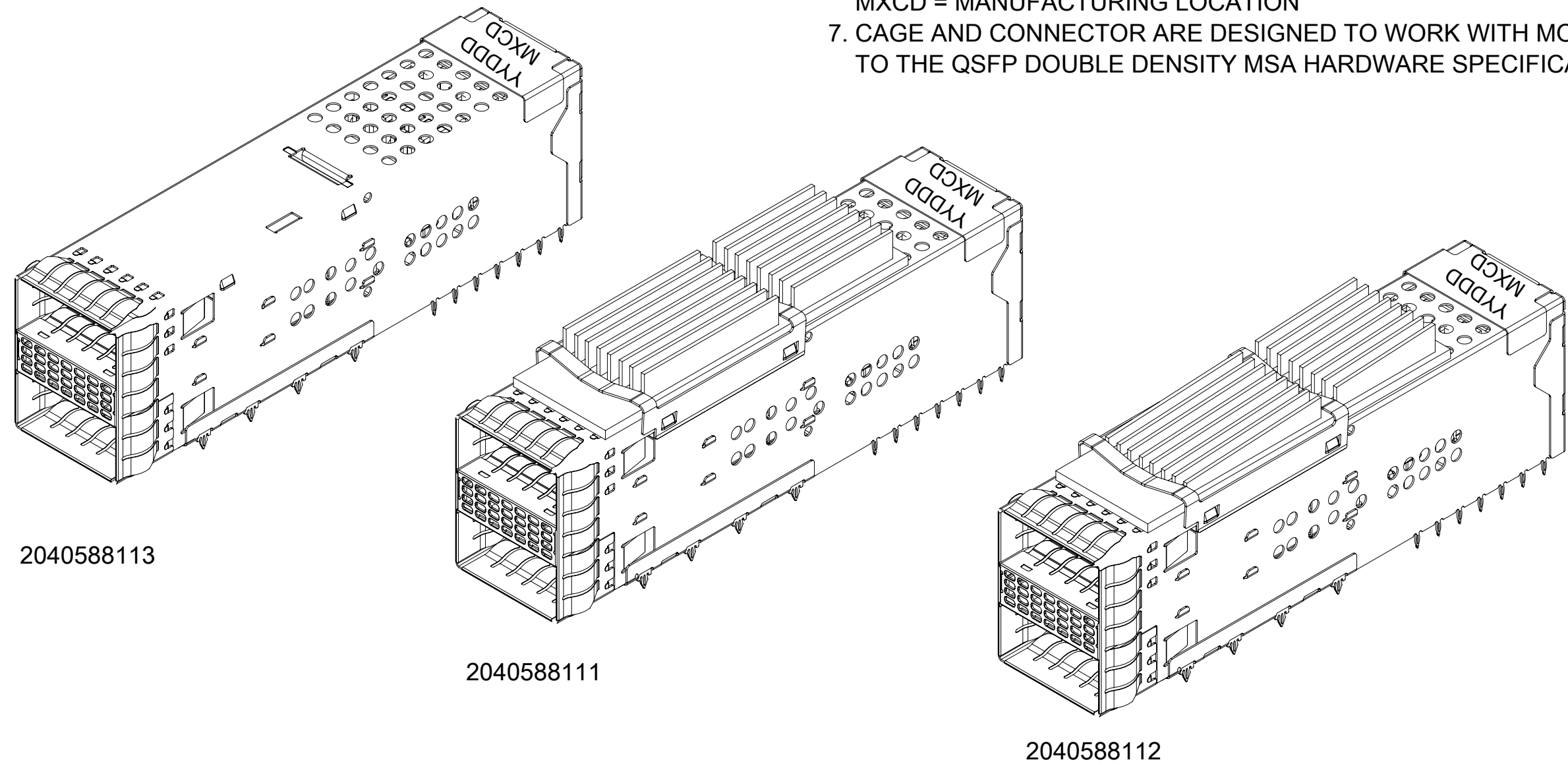
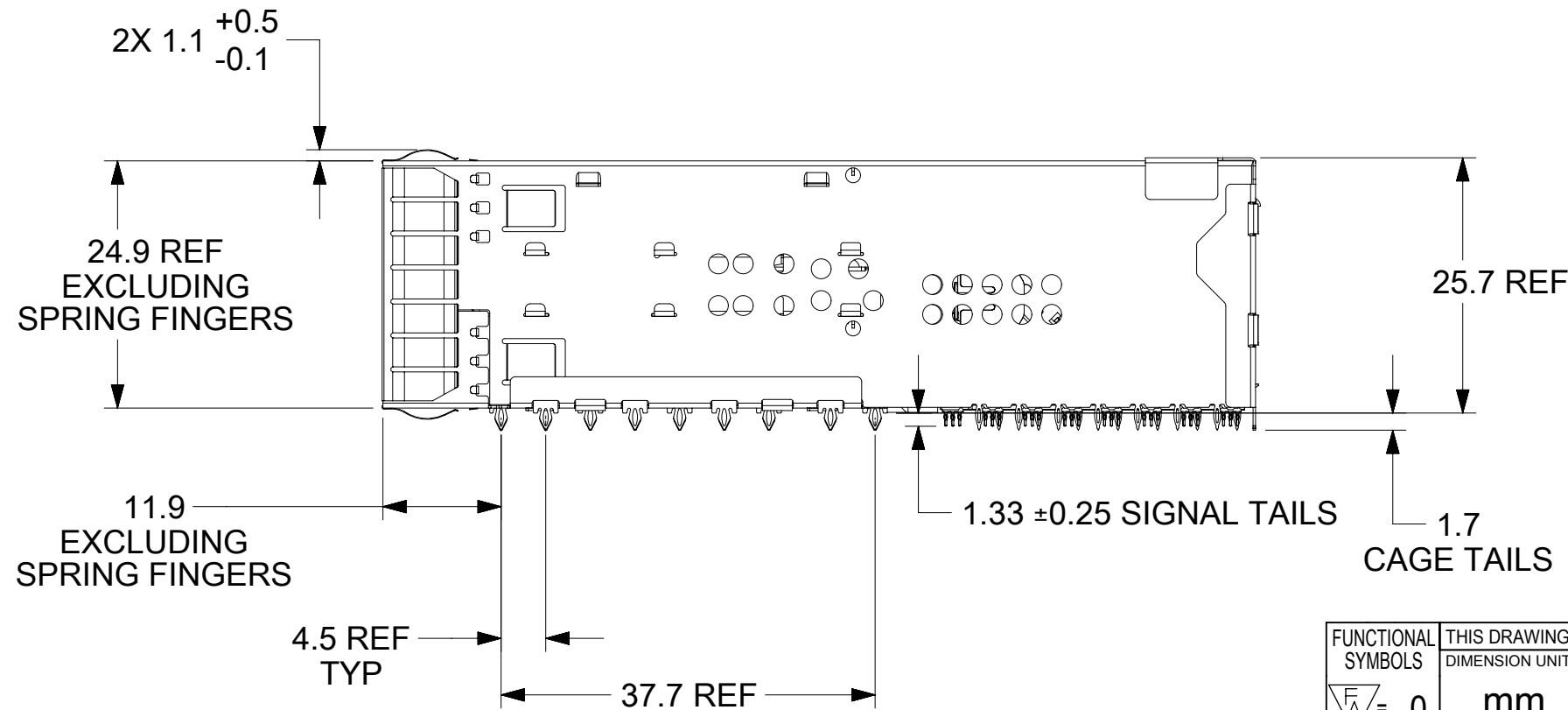
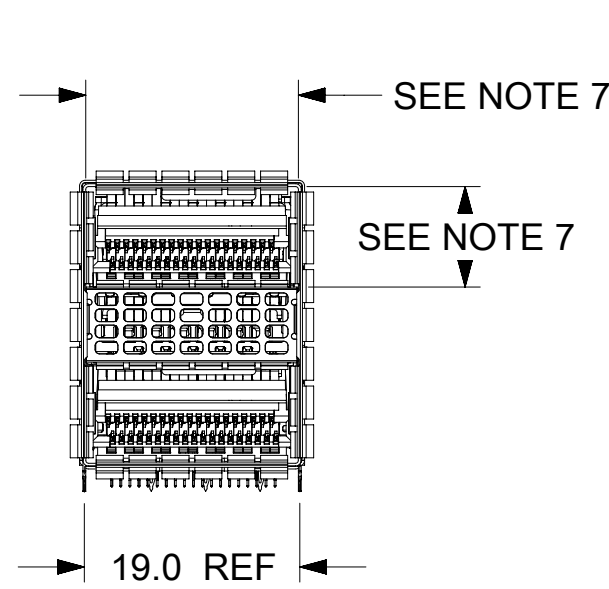
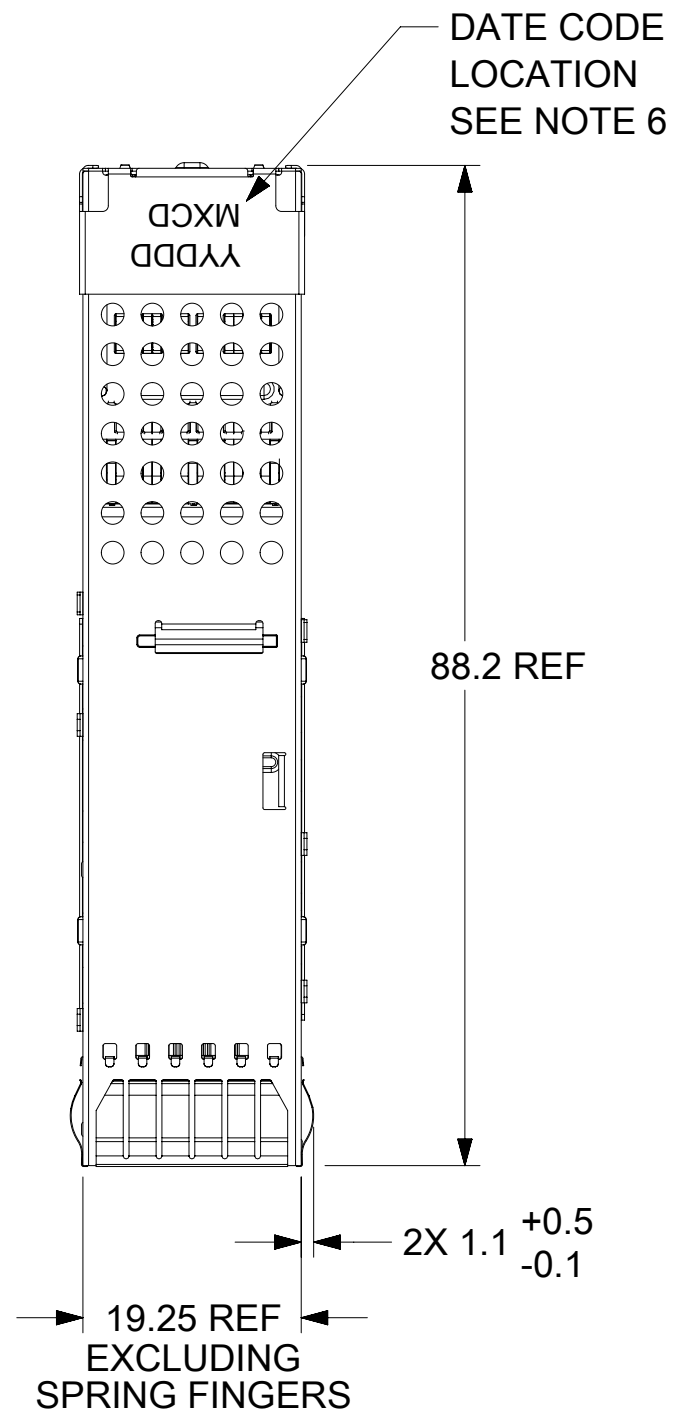


COMMON DIMENSIONS
2040588113 SHOWN



NOTES

1. MATERIALS

- CAGE: STAINLESS STEEL, 0.25 THICK
- SPRING FINGERS: COPPER ALLOY, 0.08 THICK
- CONNECTOR HOUSING: HIGH PERFORMANCE THERMOPLASTIC, 94V-0
- TERMINALS: HIGH PERFORMANCE COPPER ALLOY, 0.18 THICK

2. FINISH

- SPRING FINGERS: 0.5µm MIN NICKEL
- TERMINALS: CONTACT AREA: 0.76µm MIN GOLD OVER 3.8µm MIN NICKEL
- COMPLIANT AREA: 0.76-3.0µm MATTE TIN OVER 1.3µm MIN NICKEL

3. REFER TO 2040509101 FOR PACKAGING INFORMATION.

4. CONNECTOR INTENDED TO MATE WITH CABLE PLUG SERIES 74757, 74758 AND 201591.

5. ALL VISIBLE CAGE EXTERIOR SURFACES TO BE CLASS B, EXCEPT FOR THE UNDERSIDE OF THE CAGE AND SHOULD CONFORM TO THE MOLEX COSMETIC STANDARD ES-171233-0001.

6. DATE CODE LOCATION SHOWN. DATE CODE FORMAT: YYDDD

YY = YEAR, DDD = DAY OF THE YEAR

MXCD = MANUFACTURING LOCATION

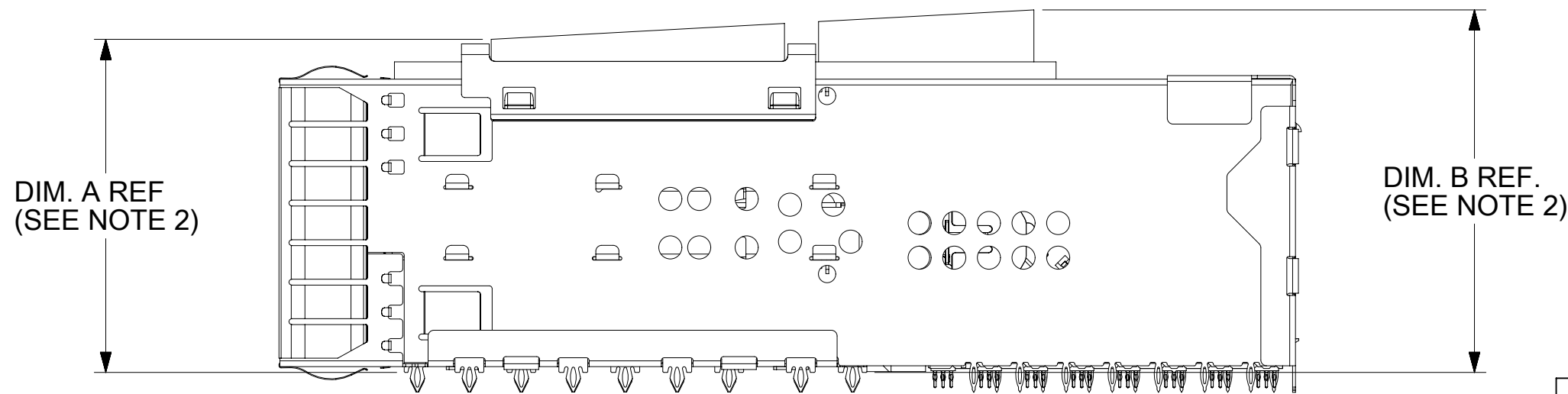
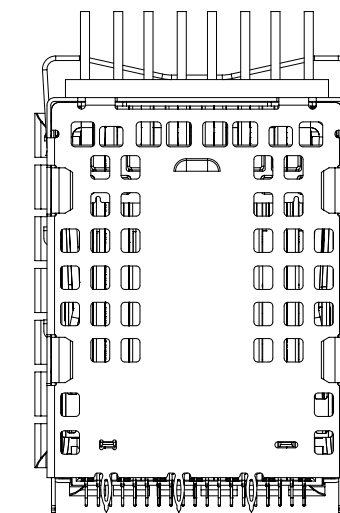
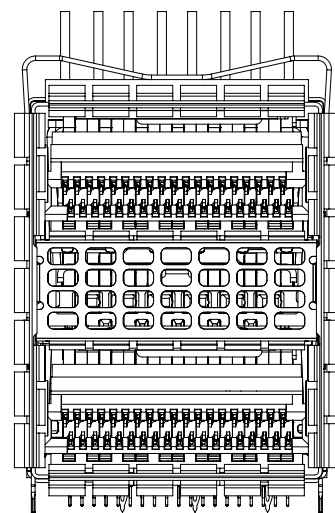
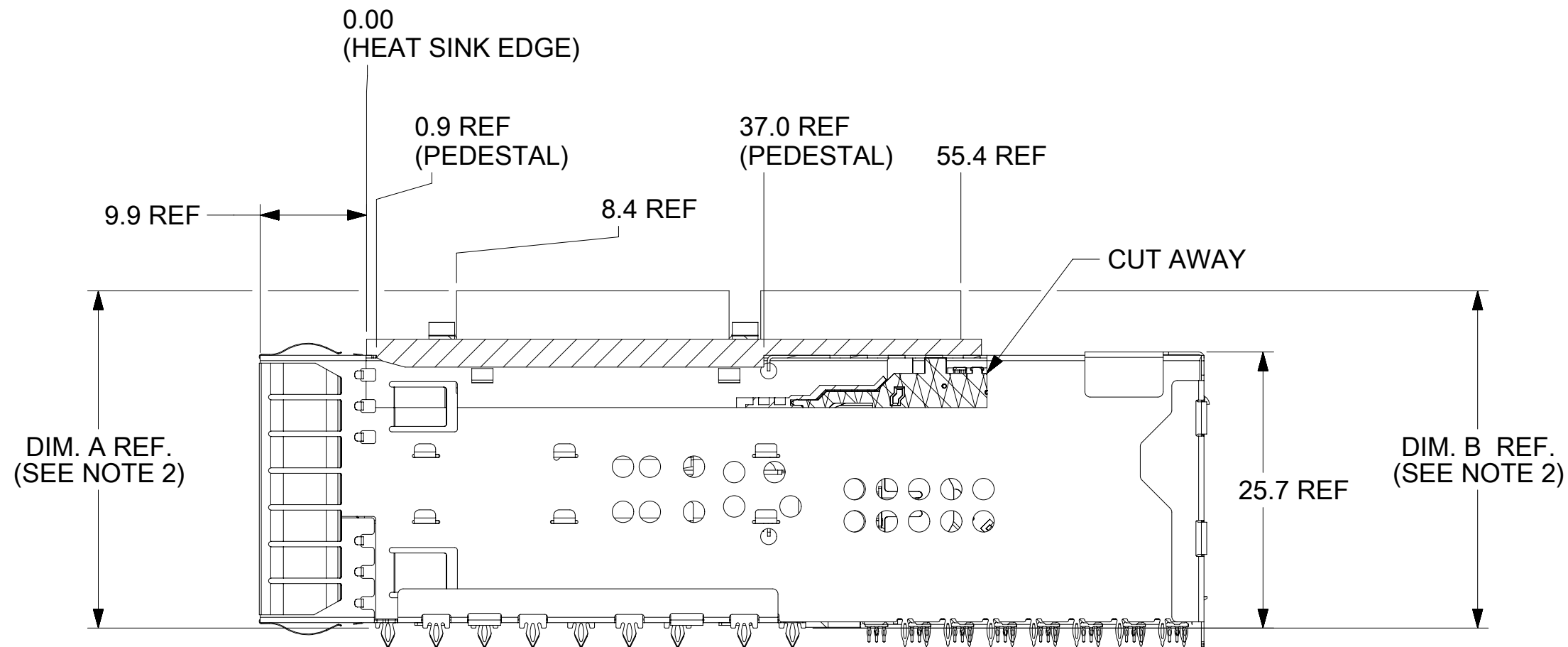
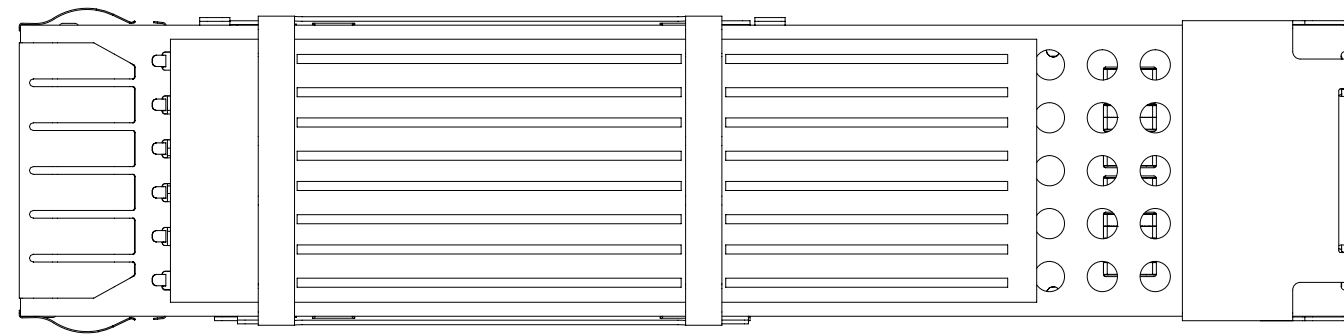
7. CAGE AND CONNECTOR ARE DESIGNED TO WORK WITH MODULES COMPLIANT TO THE QSFP DOUBLE DENSITY MSA HARDWARE SPECIFICATION.

PART NUMBER	DESCRIPTION	SHEET
2040588111	FLAT TOP EXTERNAL HEAT SINK	2
2040588112	ANGLED TOP EXTERNAL HEAT SINK	2
2040588113	NO HEAT EXTERNAL HEAT SINK	1

FUNCTIONAL SYMBOLS $\nabla_A = 0$ $\nabla_E = 0$ $\nabla_P = 0$	THIS DRAWING CONTAINS INFORMATION THAT IS PROPRIETARY TO MOLEX ELECTRONIC TECHNOLOGIES, LLC AND SHOULD NOT BE USED WITHOUT WRITTEN PERMISSION	SCALE	CURRENT REV DESC:		
	DIMENSION UNITS	mm	1.5:1		EC NO: 706838
	GENERAL TOLERANCES (UNLESS SPECIFIED)				DRWN: SSU09 2022/05/16
	ANGULAR TOL	± 2.0°			CHK'D: JKACHLIC 2022/05/31
DIVISIONAL SYMBOLS $\nabla_A = 0$ $\nabla_E = 0$ $\nabla_P = 0$	4 PLACES	±	APPR: JKACHLIC 2022/05/31	PRODUCT CUSTOMER DRAWING	
	3 PLACES	±	INITIAL REVISION:	DOCUMENT NUMBER	
	2 PLACES	± 0.13	DRWN: WZHAO21 2020/09/01	2040588113	
	1 PLACE	± 0.25	APPR: JKACHLIC 2021/01/12	DOC TYPE	
0 PLACES	±			DOC PART	
DRAFT WHERE APPLICABLE MUST REMAIN WITHIN DIMENSIONS	THIRD ANGLE PROJECTION	DRAWING	SERIES	MATERIAL NUMBER	
		C-SIZE	204058	SEE TABLE	
				CUSTOMER	
				GENERAL MARKET	
				SHEET NUMBER	
				1 OF 9	

DOCUMENT STATUS	P1	RELEASE DATE	2022/05/31	01:42:03
-----------------	----	--------------	------------	----------

2040588111 SHOWN



2040588112 SHOWN

PART NUMBER	DIM.A W/O MODULE	DIM.A WITH MODULE	DIM.B W/O MODULE	DIM.B WITH MODULE
2040588111	31.4 REF	32.65MAX.	31.4 REF	32.65MAX.
2040588112	28.85 REF	30.1MAX.	31.4 REF	32.65MAX.

NOTE:

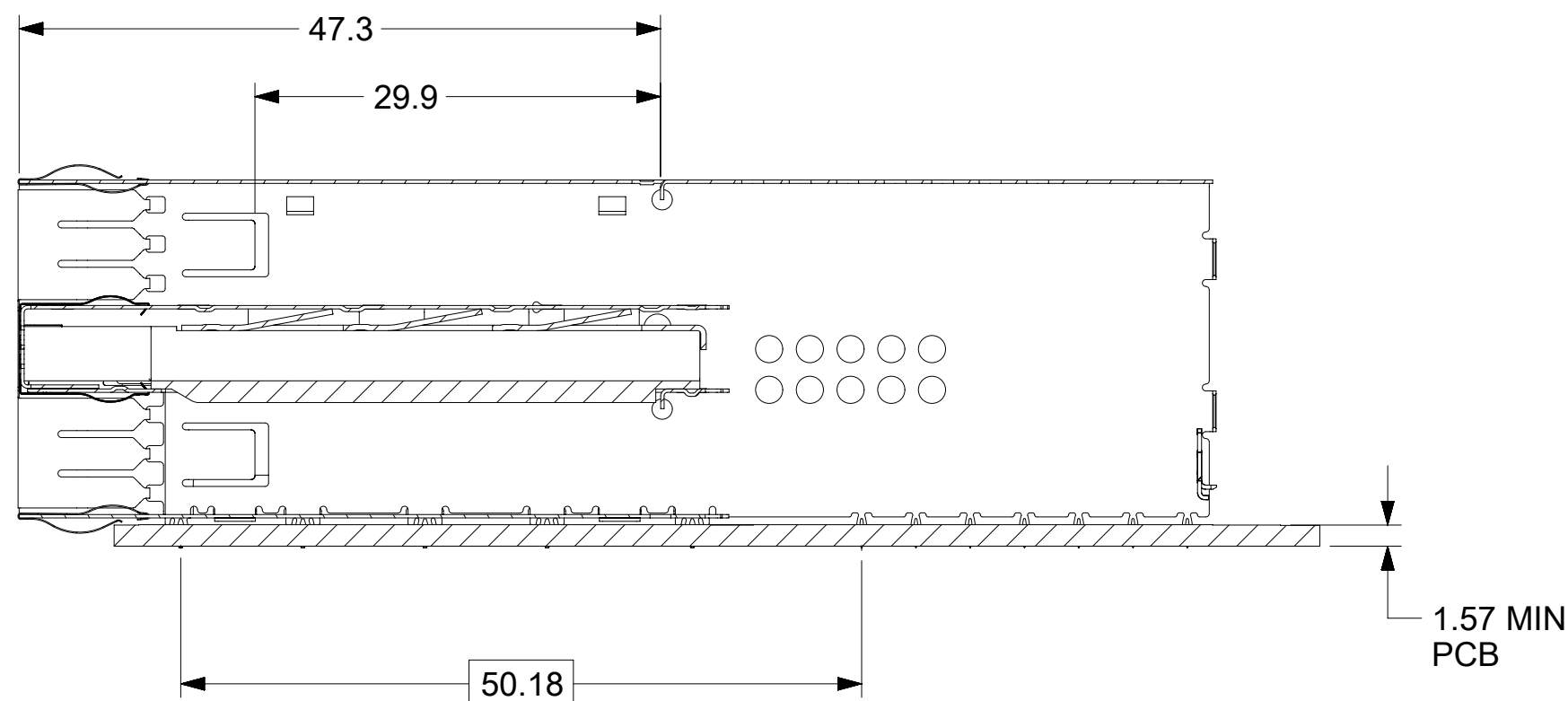
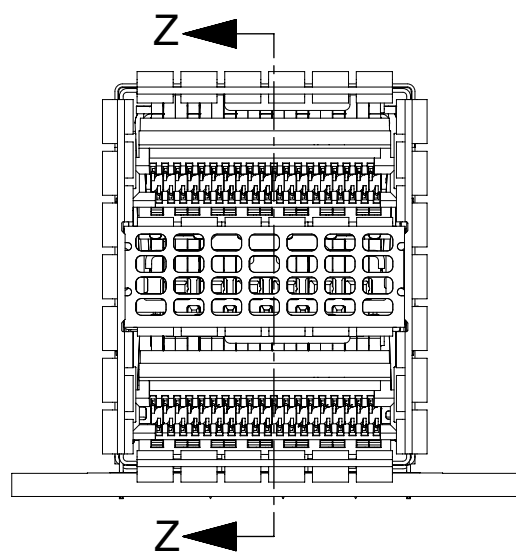
- REFER TO SHEET 1 FOR OTHER DIMENSIONS.
- THE HEIGHT OF HEAT SINK WITH MODULE INSERTED WILL INCREASE, DETAIL REFER THE TABLE.
- DIMENSIONS OF 2040588112 IS THE SAME AS 2040588111, EXCEPT DIM.A AND DIM.B.

FUNCTIONAL SYMBOLS $\nabla_A = 0$ $\nabla_C = 0$ $\nabla_P = 0$	THIS DRAWING CONTAINS INFORMATION THAT IS PROPRIETARY TO MOLEX ELECTRONIC TECHNOLOGIES, LLC AND SHOULD NOT BE USED WITHOUT WRITTEN PERMISSION		molex DDQ 2X1 FG, GENERAL MARKET, SALES DRAWING			
	DIMENSION UNITS	SCALE			CURRENT REV DESC:	
	mm	2:1	EC NO: 706838			
	GENERAL TOLERANCES (UNLESS SPECIFIED)		DRWN: SSU09 2022/05/16			
ANGULAR TOL $\pm 2.0^\circ$		CHK'D: JKACHLIC 2022/05/31				
4 PLACES \pm		APPR: JKACHLIC 2022/05/31				
3 PLACES \pm		INITIAL REVISION:				
2 PLACES ± 0.13		DRWN: WZHAO21 2020/09/01				
1 PLACE ± 0.25		APPR: JKACHLIC 2021/01/12				
0 PLACES \pm		THIRD ANGLE PROJECTION				
DRAFT WHERE APPLICABLE MUST REMAIN WITHIN DIMENSIONS		DRAWING	SERIES	MATERIAL NUMBER	CUSTOMER	SHEET NUMBER
		C-SIZE	204058	SEE TABLE	GENERAL MARKET	2 OF 9

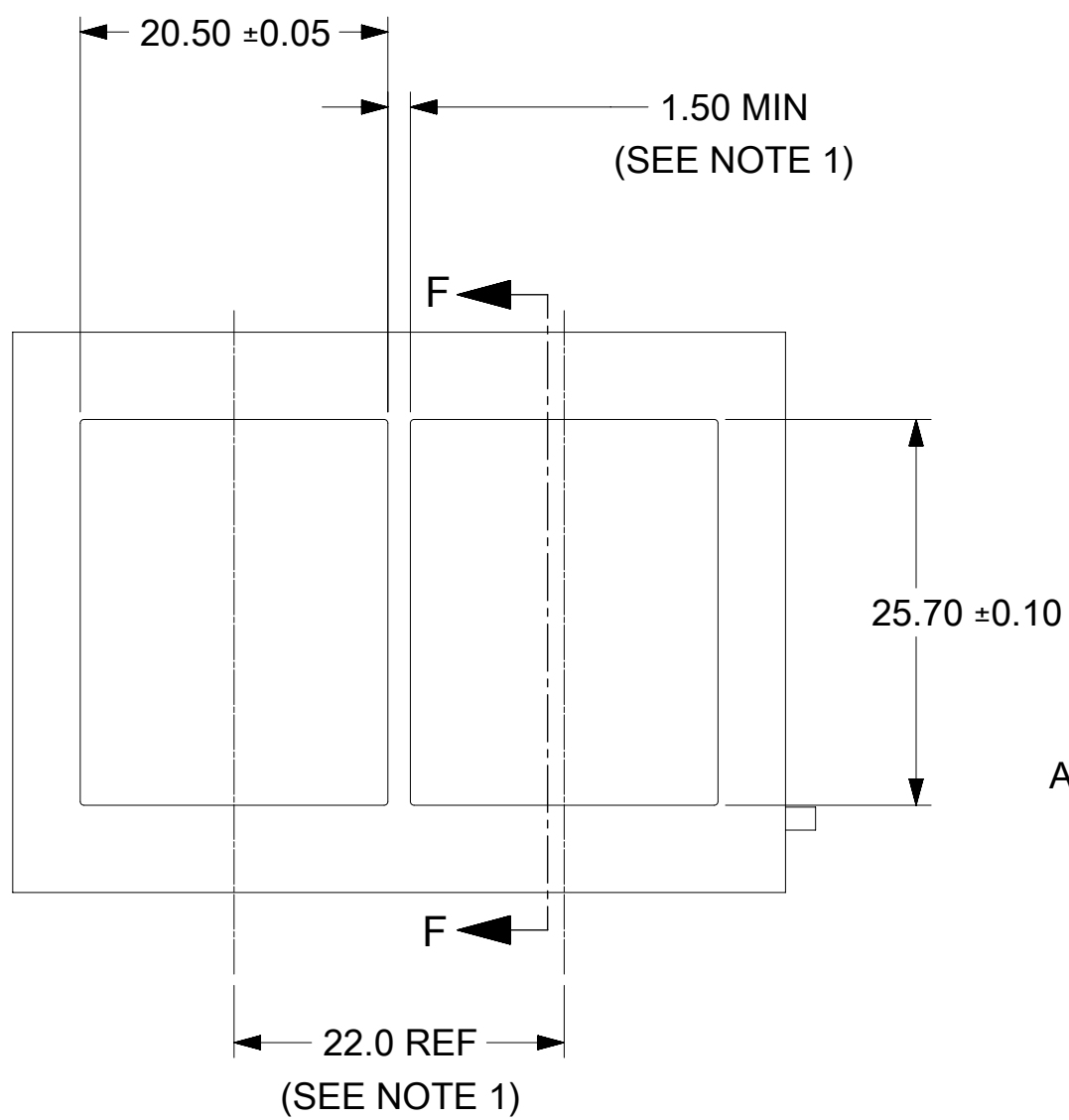
DOCUMENT NUMBER	DOC TYPE	DOC PART	REVISION
2040588113	PSD	002	A2

DOCUMENT STATUS	P1	RELEASE DATE	2022/05/31 01:42:03
-----------------	----	--------------	---------------------

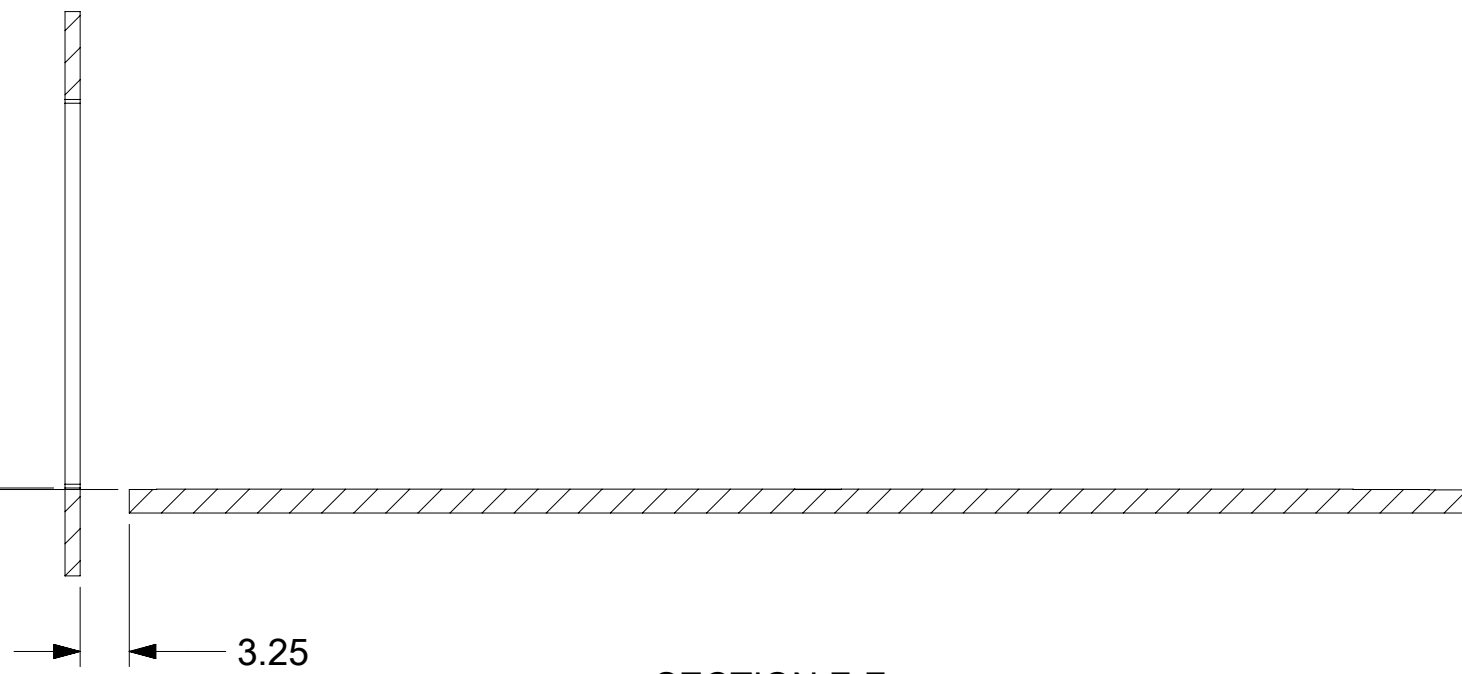
2040588113 SHOWN



SECTION Z-Z
(CONNECTOR IS NOT SHOWN)



0.10 ± 0.10
(BEZEL OPENING
ABOVE PCB PAD SURFACE)

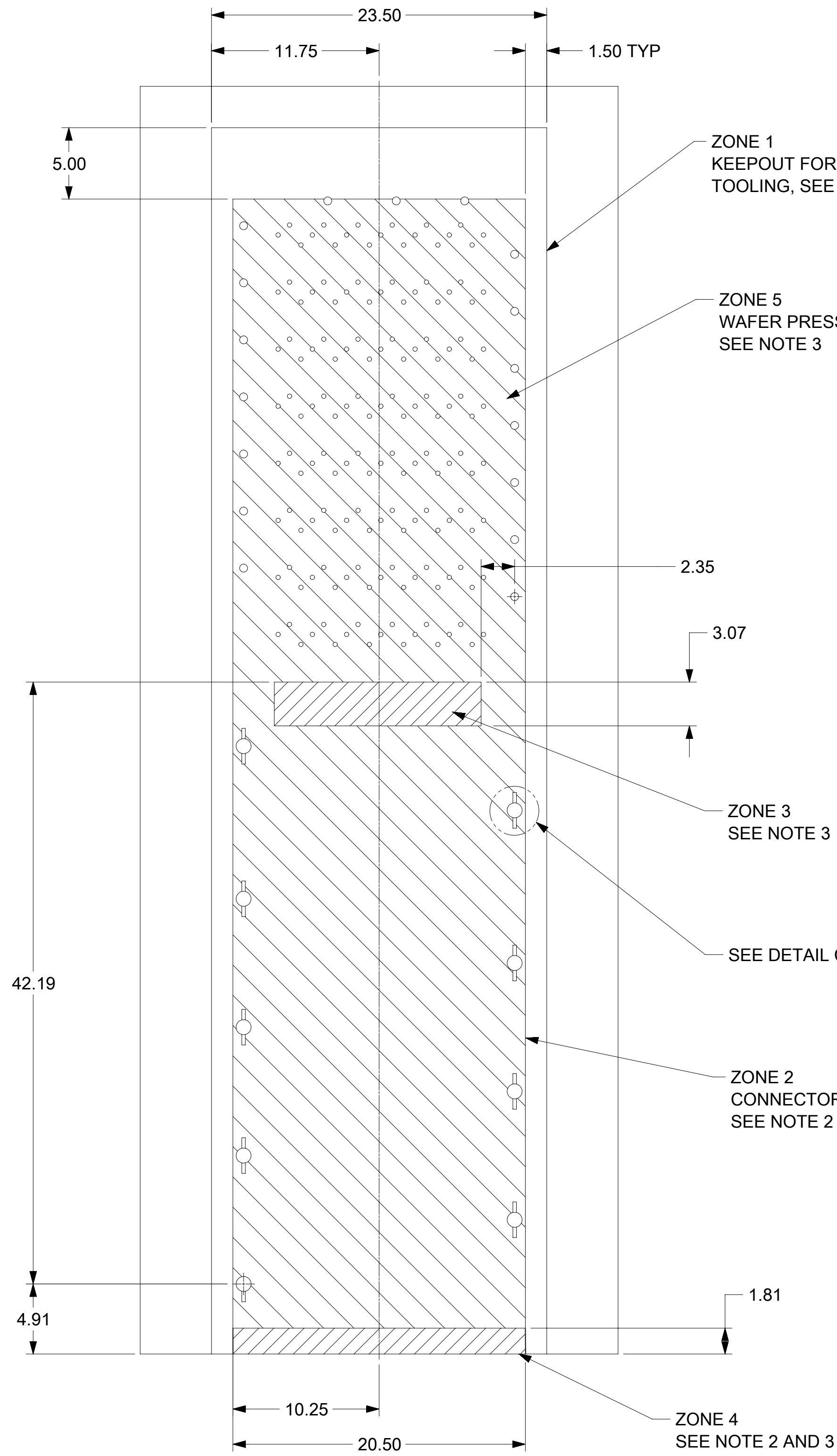


SECTION F-F

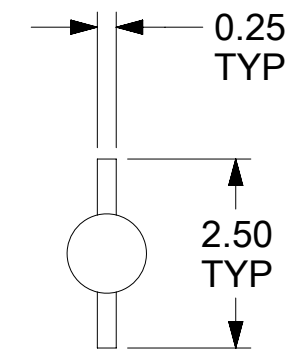
NOTE:
1. DIMENSIONS VARY BY PCB LAYOUT AND EXTRACTION TOOLING DESIGN.

FUNCTIONAL SYMBOLS $\frac{F}{A} = 0$ $\frac{F}{C} = 0$ $\frac{F}{P} = 0$	THIS DRAWING CONTAINS INFORMATION THAT IS PROPRIETARY TO MOLEX ELECTRONIC TECHNOLOGIES, LLC AND SHOULD NOT BE USED WITHOUT WRITTEN PERMISSION		molex DDQ 2X1 FG, GENERAL MARKET, SALES DRAWING		
	DIMENSION UNITS	SCALE			CURRENT REV DESC:
	mm	2:1	EC NO: 706838	2022/05/16	PRODUCT CUSTOMER DRAWING DOCUMENT NUMBER: 2040588113 DOC TYPE: PSD DOC PART: 002 REVISION: A2
	GENERAL TOLERANCES (UNLESS SPECIFIED)		DRWN: SSU09	2022/05/31	
ANGULAR TOL ± 2.0°		CHK'D: JKACHLIC	2022/05/31	MATERIAL NUMBER: SEE TABLE CUSTOMER: GENERAL MARKET SHEET NUMBER: 3 OF 9	
4 PLACES ±		APPR: JKACHLIC	2022/05/31		
3 PLACES ±		INITIAL REVISION:			
2 PLACES ± 0.13		DRWN: WZHAO21	2020/09/01		
1 PLACE ± 0.25		APPR: JKACHLIC	2021/01/12		
0 PLACES ±		THIRD ANGLE PROJECTION			
DRAFT WHERE APPLICABLE MUST REMAIN WITHIN DIMENSIONS		DRAWING: C-SIZE	SERIES: 204058		

DOCUMENT STATUS	P1	RELEASE DATE	2022/05/31	01:42:03
-----------------	----	--------------	------------	----------



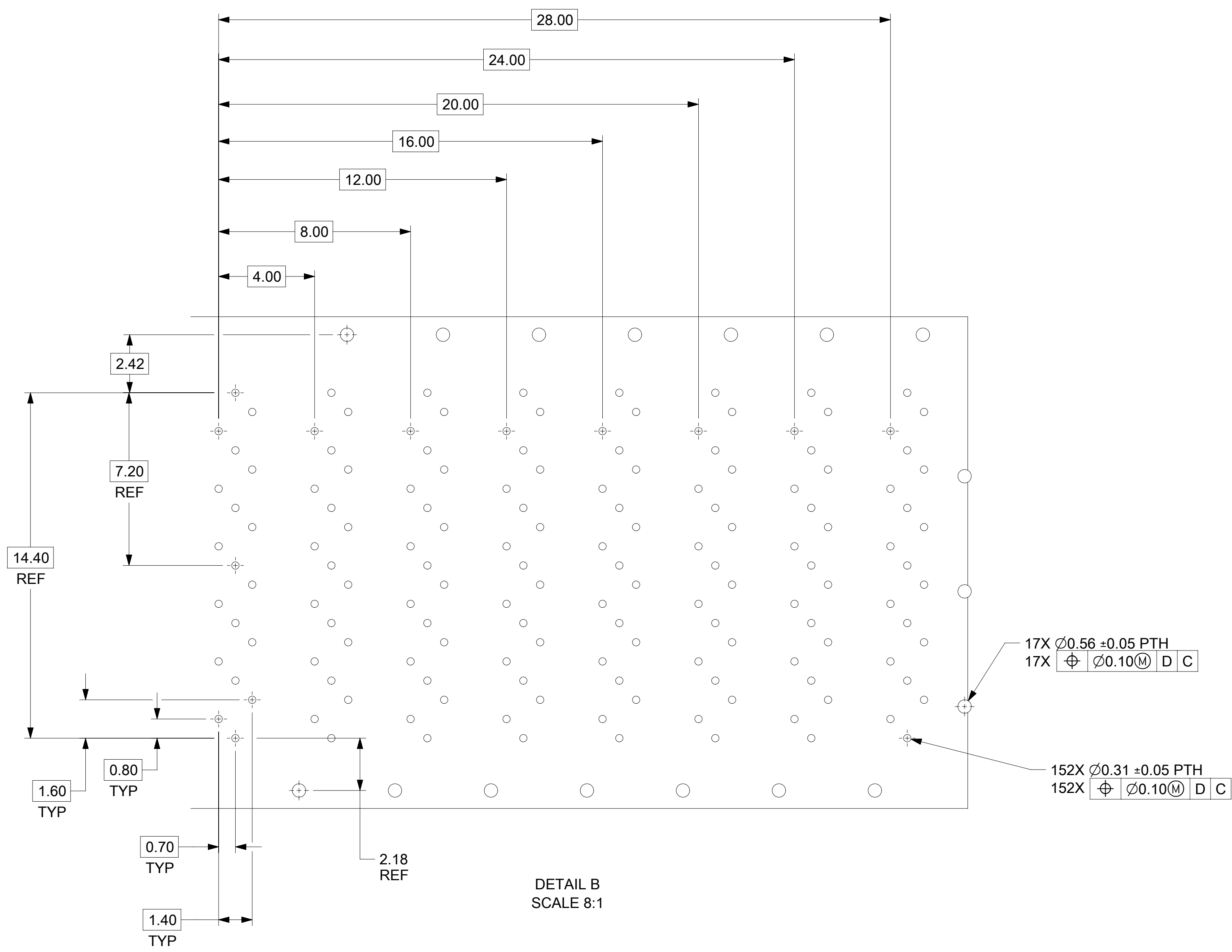
- NOTES**
1. THIS AREA TO BE CONSIDERED A KEEP OUT AREA FOR COMPONENTS.
 2. THE ENTIRE AREA UNDER THE CONNECTOR IS TO BE CONSIDERED A KEEP-OUT AREA FOR COMPONENTS.
 3. HATCHED AREAS REPRESENT ZONES ON THE PCB THAT COME IN CONTACT WITH OR BE IN CLOSE PROXIMITY TO THE PLASTIC HOUSING OR THE CONNECTOR CAGE. INDICATED AREAS TO BE CONSIDERED TRACE FREE.



DETAIL C
SCALE 10:1

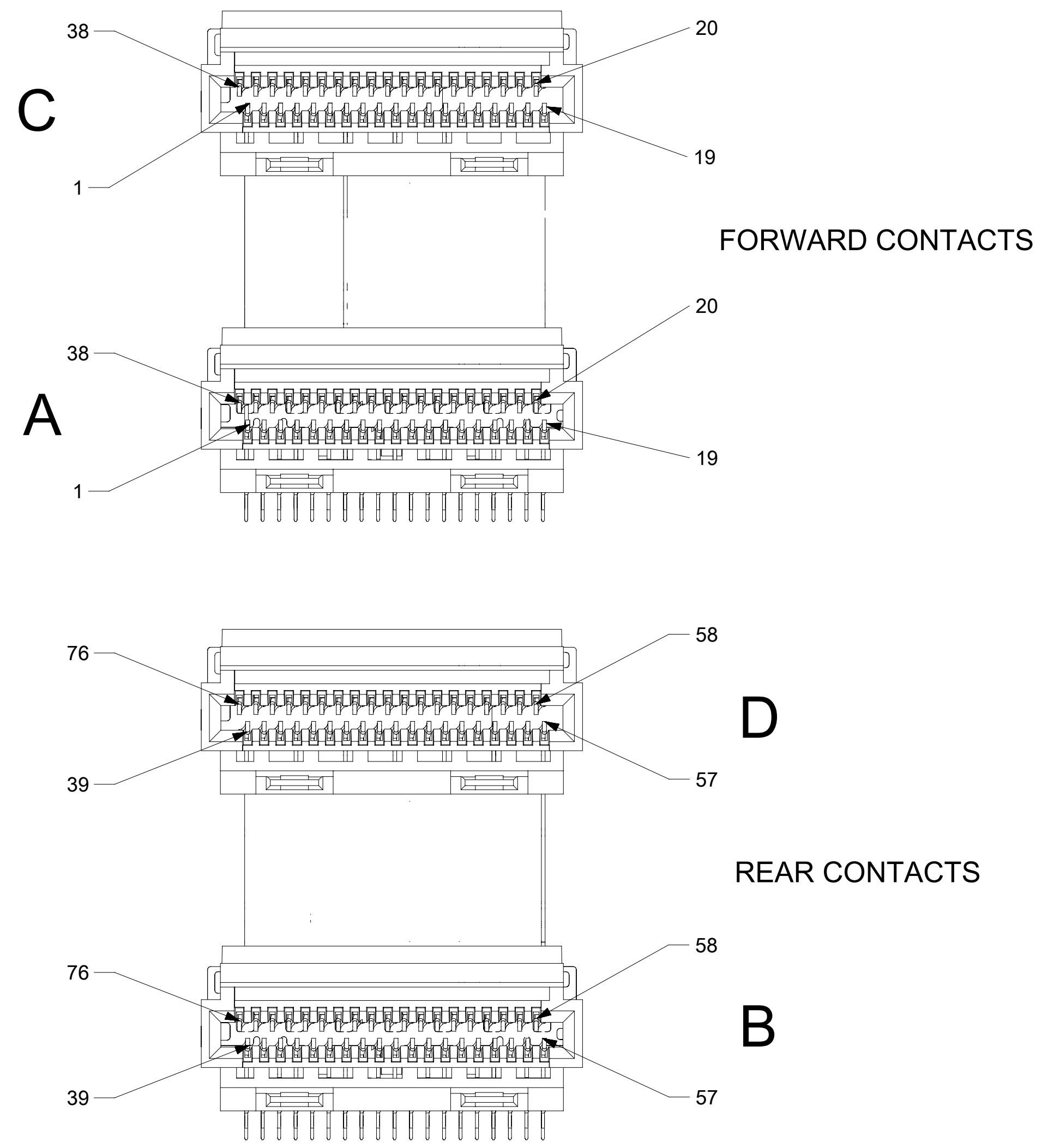
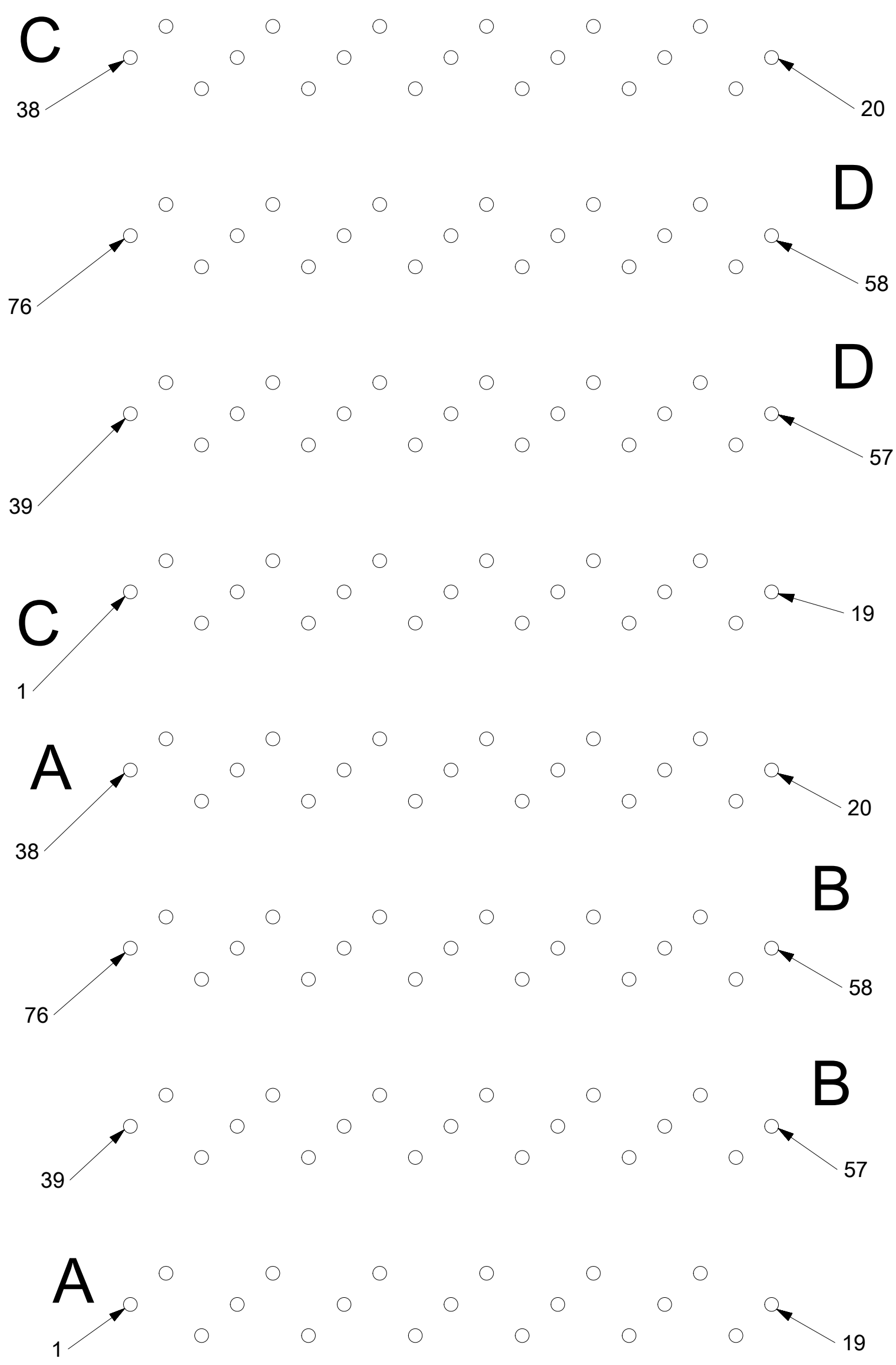
FUNCTIONAL SYMBOLS	THIS DRAWING CONTAINS INFORMATION THAT IS PROPRIETARY TO MOLEX ELECTRONIC TECHNOLOGIES, LLC AND SHOULD NOT BE USED WITHOUT WRITTEN PERMISSION		
	DIMENSION UNITS	SCALE	CURRENT REV DESC:
$\frac{F}{A} = 0$	mm	4:1	EC NO: 706838 DRWN: SSU09 2022/05/16 CHK'D: JKACHLIC 2022/05/31 APPR: JKACHLIC 2022/05/31
$\frac{F}{C} = 0$	GENERAL TOLERANCES (UNLESS SPECIFIED)		
$\frac{F}{P} = 0$	ANGULAR TOL $\pm 2.0^\circ$		INITIAL REVISION: DRWN: WZHAO21 2020/09/01 APPR: JKACHLIC 2021/01/12
DIVISIONAL SYMBOLS	4 PLACES \pm	3 PLACES \pm	
	2 PLACES ± 0.13	1 PLACE ± 0.25	DOCUMENT NUMBER
	0 PLACES \pm		2040588113
	DRAFT WHERE APPLICABLE MUST REMAIN WITHIN DIMENSIONS	THIRD ANGLE PROJECTION	DOC TYPE
		DRAWING	PSD
		SERIES	DOC PART
		C-SIZE	002
		204058	REVISION
			A2
			MATERIAL NUMBER
			SEE TABLE
			CUSTOMER
			GENERAL MARKET
			SHEET NUMBER
			4 OF 9

MODULE INSERTION
DIRECTION
→



DETAIL B
SCALE 8:1

FUNCTIONAL SYMBOLS $\frac{F}{A} = 0$ $\frac{F}{C} = 0$ $\frac{F}{P} = 0$	THIS DRAWING CONTAINS INFORMATION THAT IS PROPRIETARY TO MOLEX ELECTRONIC TECHNOLOGIES, LLC AND SHOULD NOT BE USED WITHOUT WRITTEN PERMISSION		CURRENT REV DESC:		
	DIMENSION UNITS	SCALE	EC NO: 706838		
	mm	1:1	DRWN: SSU09 2022/05/16		
	GENERAL TOLERANCES (UNLESS SPECIFIED)		CHK'D: JKACHLIC 2022/05/31		
DIVISIONAL SYMBOLS 4 PLACES ± 3 PLACES ± 2 PLACES ± 0.13 1 PLACE ± 0.25 0 PLACES ±	ANGULAR TOL ± 2.0°		APPR: JKACHLIC 2022/05/31		PRODUCT CUSTOMER DRAWING
	DRAFT WHERE APPLICABLE MUST REMAIN WITHIN DIMENSIONS		INITIAL REVISION:		DOCUMENT NUMBER
	THIRD ANGLE PROJECTION		DRWN: WZHAO21 2020/09/01		2040588113
	DRAWING		APPR: JKACHLIC 2021/01/12		DOC TYPE
C-SIZE		SERIES		MATERIAL NUMBER	DOC PART
SEE TABLE		204058		204058	002
GENERAL MARKET		SHEET NUMBER		REVISION	
6 OF 9		1		A2	



FUNCTIONAL SYMBOLS	THIS DRAWING CONTAINS INFORMATION THAT IS PROPRIETARY TO MOLEX ELECTRONIC TECHNOLOGIES, LLC AND SHOULD NOT BE USED WITHOUT WRITTEN PERMISSION														
	DIMENSION UNITS	SCALE	CURRENT REV DESC:												
$\frac{E}{A} = 0$	mm	4:1	molex DDQ 2X1 FG, GENERAL MARKET, SALES DRAWING PRODUCT CUSTOMER DRAWING												
$\frac{E}{C} = 0$	GENERAL TOLERANCES (UNLESS SPECIFIED)														
$\frac{E}{P} = 0$	ANGULAR TOL $\pm 2.0^\circ$		EC NO: 706838 DRWN: SSU09 2022/05/16 CHK'D: JKACHLIC 2022/05/31 APPR: JKACHLIC 2022/05/31												
DIVISIONAL SYMBOLS	4 PLACES \pm		INITIAL REVISION:												
	3 PLACES \pm		DRWN: WZHAO21 2020/09/01												
	2 PLACES ± 0.13		APPR: JKACHLIC 2021/01/12												
	1 PLACE ± 0.25		DOCUMENT NUMBER: 2040588113 DOC TYPE: PSD DOC PART: 002 REVISION: A2												
0 PLACES \pm		DRAFT WHERE APPLICABLE MUST REMAIN WITHIN DIMENSIONS		THIRD ANGLE PROJECTION		DRAWING		SERIES		MATERIAL NUMBER		CUSTOMER		SHEET NUMBER	
						C-SIZE		204058		SEE TABLE		GENERAL MARKET		7 OF 9	

DOCUMENT STATUS	P1	RELEASE DATE	2022/05/31 01:42:03
-----------------	----	--------------	---------------------

TOP OF BOARD

- A38
- A37
- A36
- A35
- A34
- A33
- A32
- A31
- A30
- A29
- A28
- A27
- A26
- A25
- A24
- A23
- A22
- A21
- A20

- B76
- B75
- B74
- B73
- B72
- B71
- B70
- B69
- B68
- B67
- B66
- B65
- B64
- B63
- B62
- B61
- B60
- B59
- B58

- B39
- B40
- B41
- B42
- B43
- B44
- B45
- B46
- B47
- B48
- B49
- B50
- B51
- B52
- B53
- B54
- B55
- B56
- B57

- A1
- A2
- A3
- A4
- A5
- A6
- A7
- A8
- A9
- A10
- A11
- A12
- A13
- A14
- A15
- A16
- A17
- A18
- A19

BOTTOM OF BOARD

FUNCTIONAL SYMBOLS	THIS DRAWING CONTAINS INFORMATION THAT IS PROPRIETARY TO MOLEX ELECTRONIC TECHNOLOGIES, LLC AND SHOULD NOT BE USED WITHOUT WRITTEN PERMISSION										
	DIMENSION UNITS	SCALE	CURRENT REV DESC:							molex	
$\frac{F}{A} = 0$	mm	4:1	EC NO: 706838								
$\frac{F}{C} = 0$	GENERAL TOLERANCES (UNLESS SPECIFIED)		DRWN: SSU09 2022/05/16							PRODUCT CUSTOMER DRAWING	
$\frac{F}{P} = 0$	ANGULAR TOL $\pm 2.0^\circ$		CHK'D: JKACHLIC 2022/05/31							DOCUMENT NUMBER	
DIVISIONAL SYMBOLS	4 PLACES \pm		APPR: JKACHLIC 2022/05/31							DOC TYPE	
	3 PLACES \pm		INITIAL REVISION:							DOC PART	
	2 PLACES ± 0.13		DRWN: WZHAO21 2020/09/01							REVISION	
1 PLACE ± 0.25		APPR: JKACHLIC 2021/01/12							2040588113		PSD
0 PLACES \pm		THIRD ANGLE PROJECTION		DRAWING		SERIES		MATERIAL NUMBER		CUSTOMER	
DRAFT WHERE APPLICABLE MUST REMAIN WITHIN DIMENSIONS				C-SIZE		204058		SEE TABLE		GENERAL MARKET	
								SHEET NUMBER		8 OF 9	

REV	DATE	DESCRIPTION
1	2020/09/01	INITIAL RELEASE .
A1	2021/06/25	UPDATED VIEWS IN SHEET 4 AND UPDATED NOTES @ SHEET 4/ H5
A2	2022/05/16	UPDATE A TYPING ERROR ON C9 AT SHEET 1:CHANGE SPRING FINGER TOLERANCE FROM 1.1+0.5/+0.1 TO 1.1+0.5/-0.1.

FUNCTIONAL SYMBOLS	THIS DRAWING CONTAINS INFORMATION THAT IS PROPRIETARY TO MOLEX ELECTRONIC TECHNOLOGIES, LLC AND SHOULD NOT BE USED WITHOUT WRITTEN PERMISSION													
	DIMENSION UNITS	SCALE	CURRENT REV DESC:							molex				
$\frac{F}{A} = 0$	mm	1:1	EC NO: 706838 DRWN: SSU09 2022/05/16 CHK'D: JKACHLIC 2022/05/31 APPR: JKACHLIC 2022/05/31 INITIAL REVISION: DRWN: WZHAO21 2020/09/01 APPR: JKACHLIC 2021/01/12									DOCUMENT NUMBER		DOC TYPE
$\frac{F}{C} = 0$	GENERAL TOLERANCES (UNLESS SPECIFIED)									2040588113		PSD	002	A2
$\frac{F}{P} = 0$	ANGULAR TOL \pm 2.0°									2040588113				
DIVISIONAL SYMBOLS	4 PLACES	\pm	PRODUCT CUSTOMER DRAWING											
	3 PLACES	\pm												
	2 PLACES	\pm 0.13												
	1 PLACE	\pm 0.25												
	0 PLACES	\pm												
	DRAFT WHERE APPLICABLE MUST REMAIN WITHIN DIMENSIONS		THIRD ANGLE PROJECTION	DRAWING	SERIES	MATERIAL NUMBER	CUSTOMER	SHEET NUMBER						
				C-SIZE	204058	SEE TABLE	GENERAL MARKET	9 OF 9						