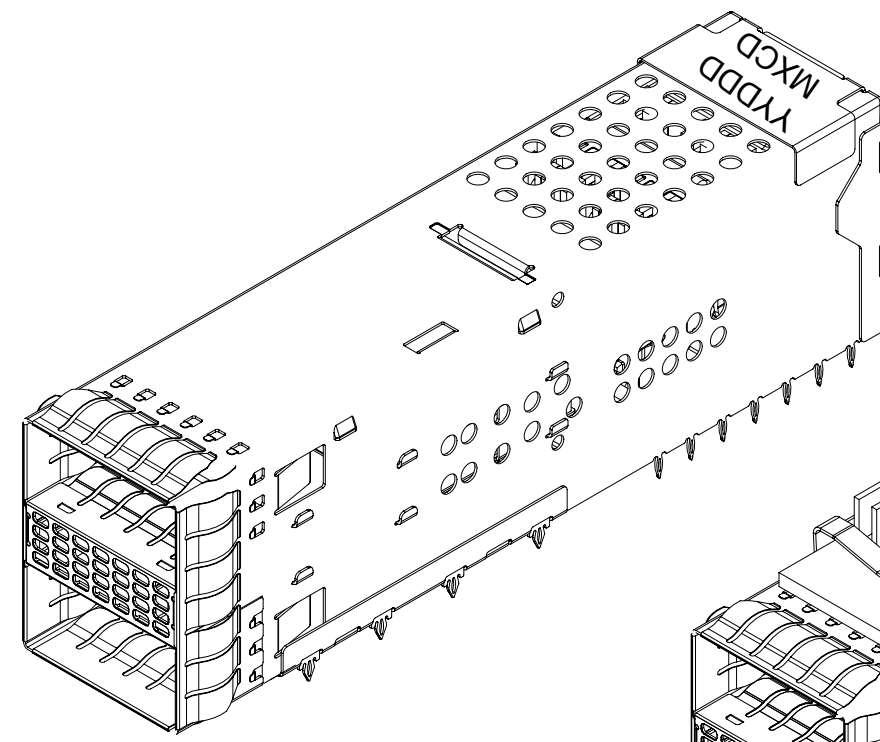
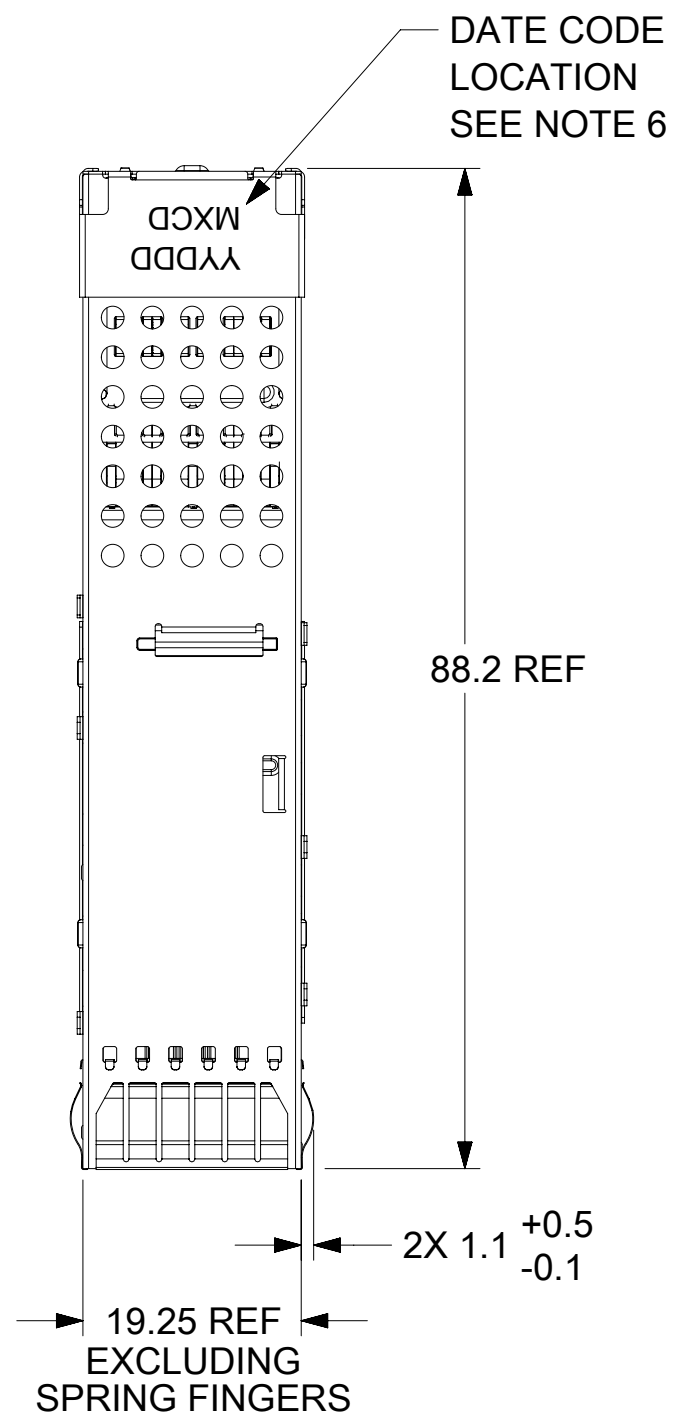
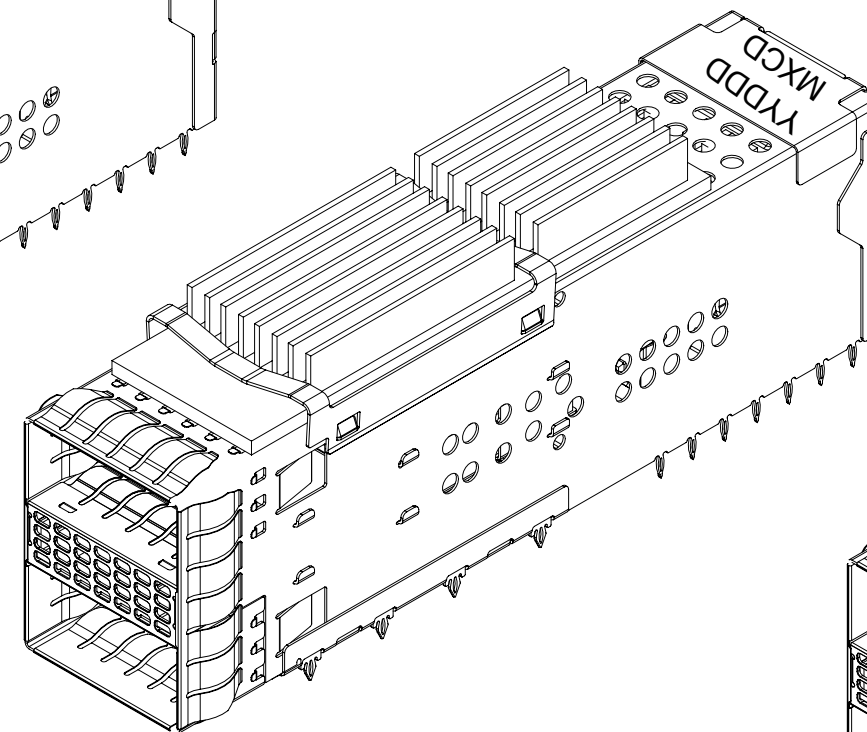


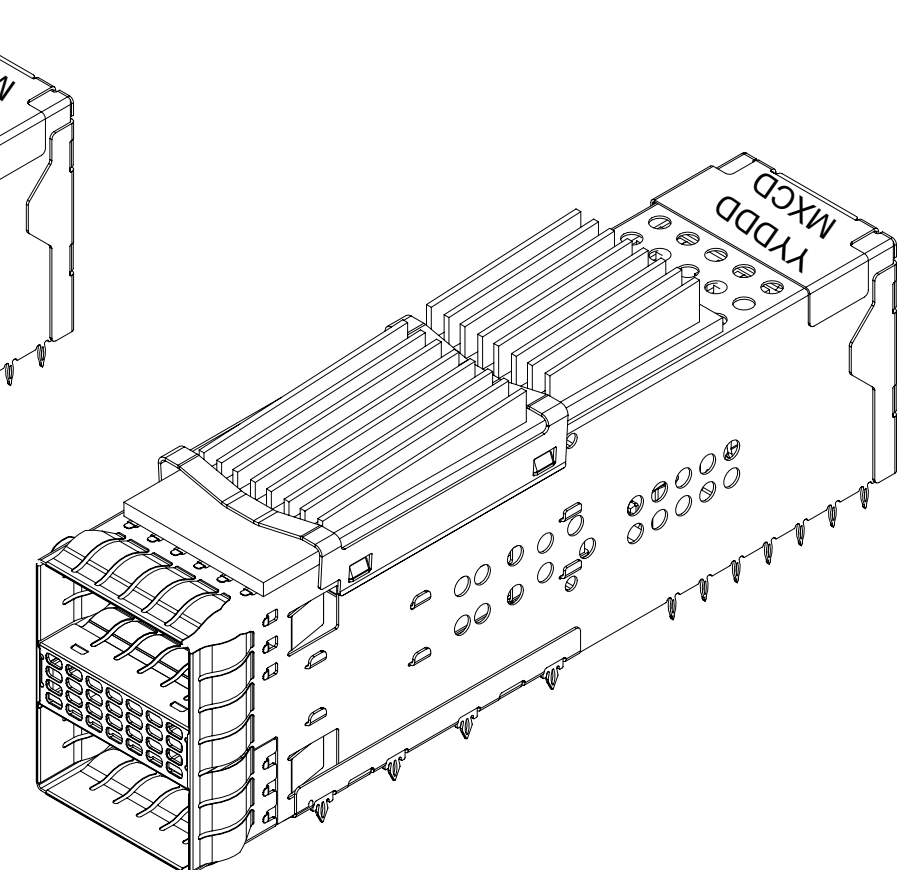
COMMON DIMENSIONS 2040588113 SHOWN



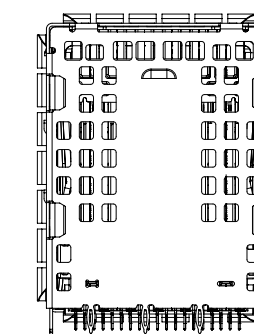
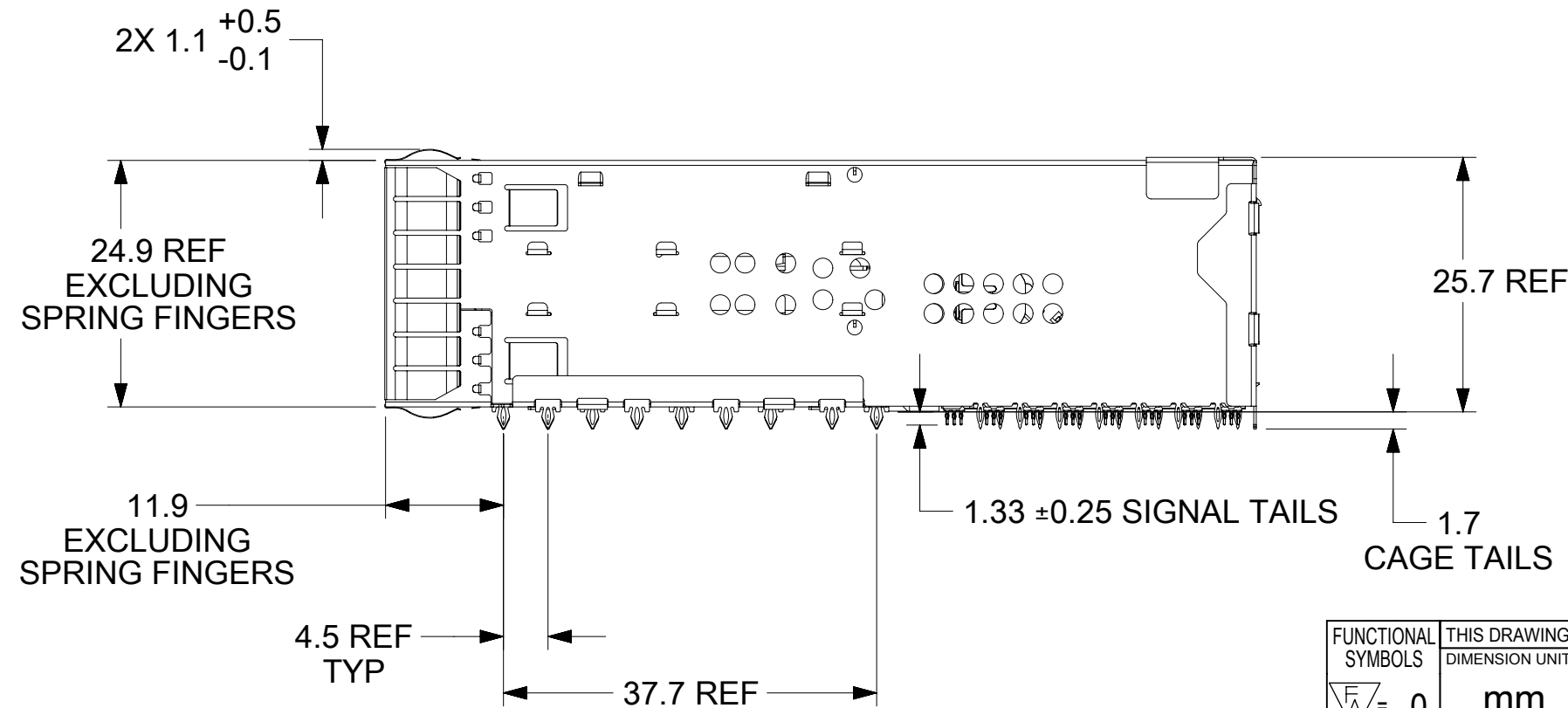
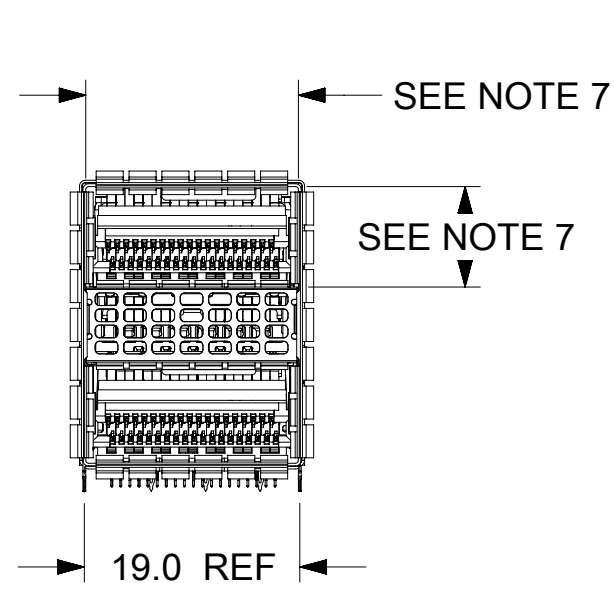
2040588113



2040588111



2040588112



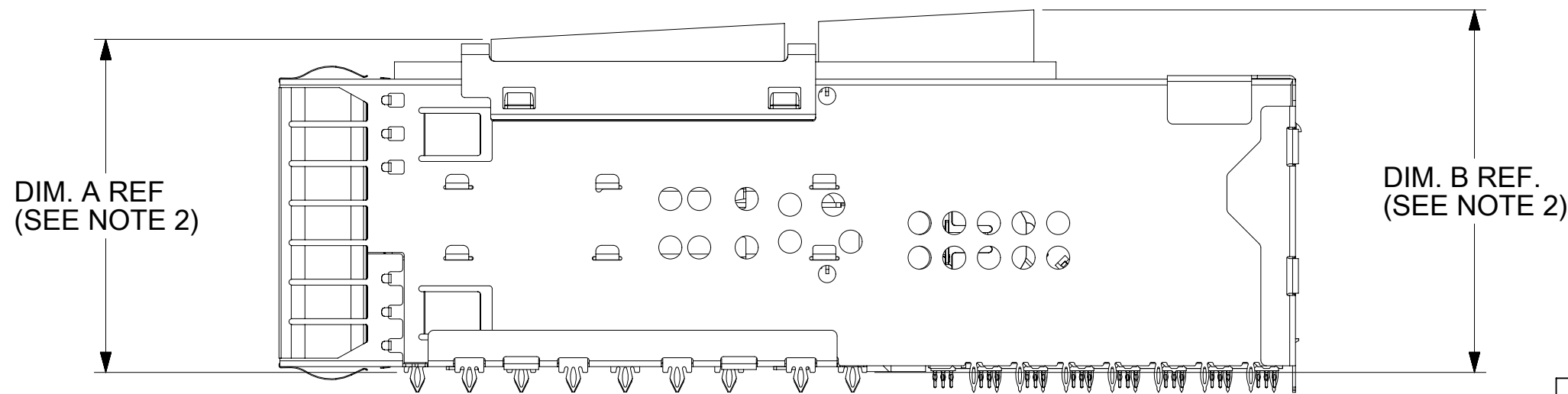
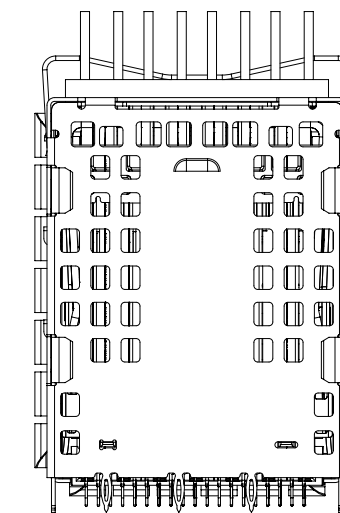
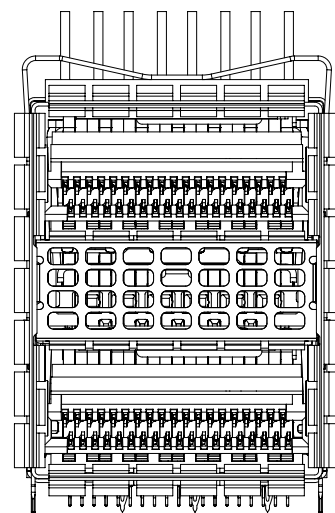
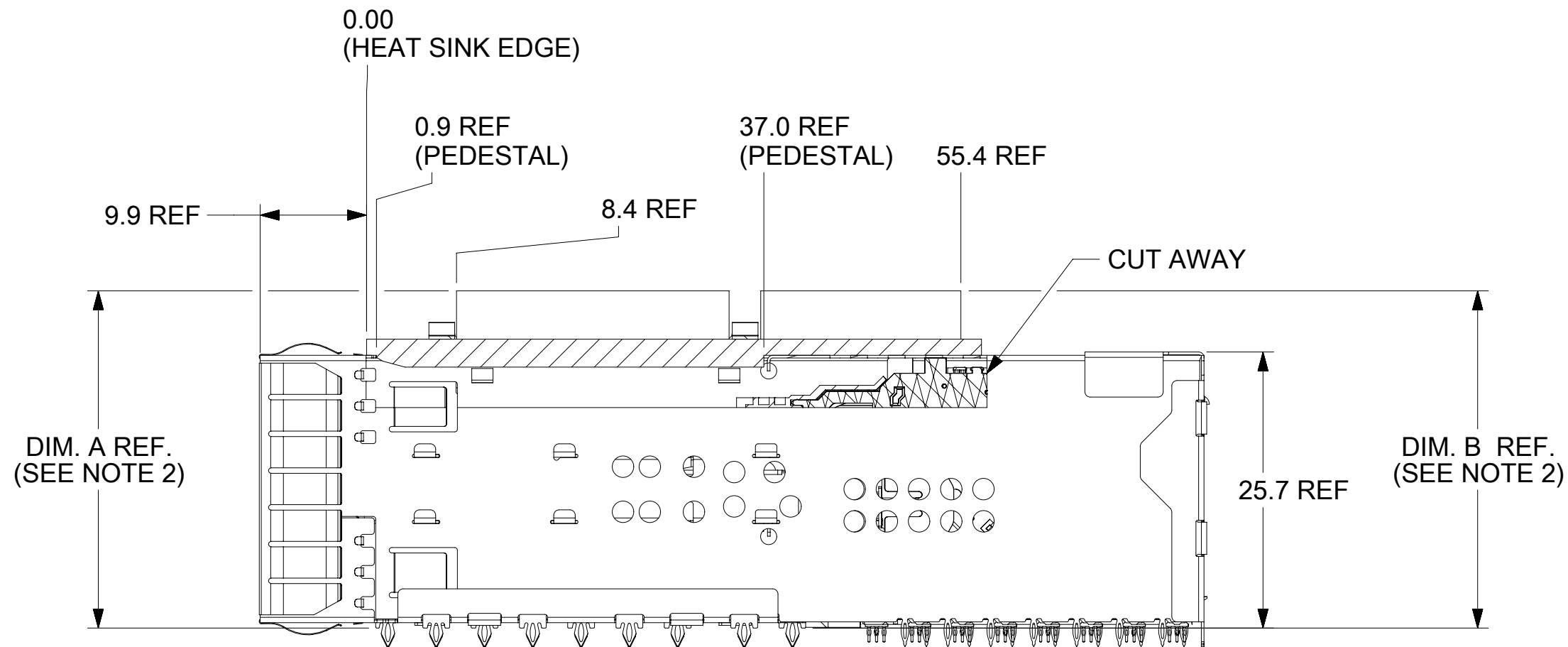
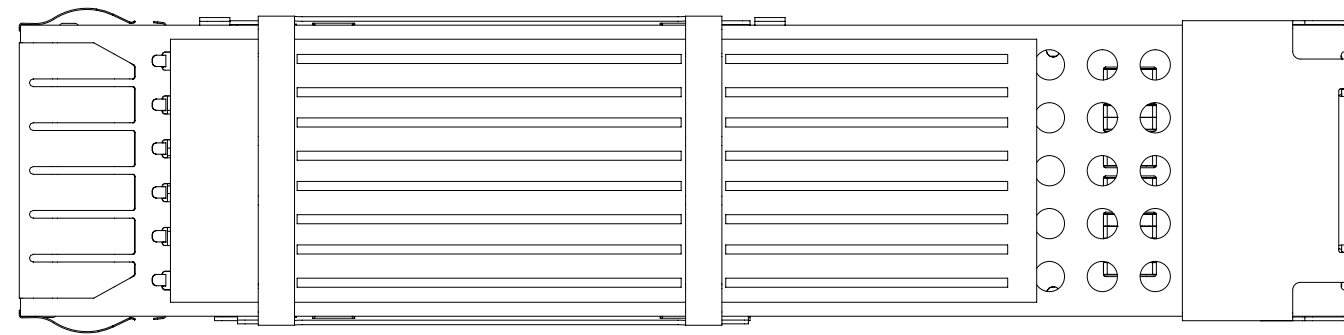
NOTES

1. MATERIALS
 CAGE: STAINLESS STEEL, 0.25 THICK
 SPRING FINGERS: COPPER ALLOY, 0.08 THICK
 CONNECTOR HOUSING: HIGH PERFORMANCE THERMOPLASTIC, 94V-0
 TERMINALS: HIGH PERFORMANCE COPPER ALLOY, 0.18 THICK
2. FINISH
 SPRING FINGERS: 0.5µm MIN NICKEL
 TERMINALS: CONTACT AREA: 0.76µm MIN GOLD OVER 3.8µm MIN NICKEL
 COMPLIANT AREA: 0.76-3.0µm MATTE TIN OVER 1.3µm MIN NICKEL
3. REFER TO 2040509101 FOR PACKAGING INFORMATION.
4. CONNECTOR INTENDED TO MATE WITH CABLE PLUG SERIES 74757,74758 AND 201591.
5. ALL VISIBLE CAGE EXTERIOR SURFACES TO BE CLASS B, EXCEPT FOR THE UNDERSIDE OF THE CAGE AND SHOULD CONFORM TO THE MOLEX COSMETIC STANDARD ES-171233-0001.
6. DATE CODE LOCATION SHOWN. DATE CODE FORMAT:YYDDD
 YY = YEAR, DDD = DAY OF THE YEAR
 MXCD = MANUFACTURING LOCATION
7. CAGE AND CONNECTOR ARE DESIGNED TO WORK WITH MODULES COMPLIANT TO THE QSFP DOUBLE DENSITY MSA HARDWARE SPECIFICATION.

PART NUMBER	DESCRIPTION	SHEET
2040588111	FLAT TOP EXTERNAL HEAT SINK	2
2040588112	ANGLED TOP EXTERNAL HEAT SINK	2
2040588113	NO HEAT EXTERNAL HEAT SINK	1

FUNCTIONAL SYMBOLS	THIS DRAWING CONTAINS INFORMATION THAT IS PROPRIETARY TO MOLEX ELECTRONIC TECHNOLOGIES, LLC AND SHOULD NOT BE USED WITHOUT WRITTEN PERMISSION		molex	
$\nabla_A = 0$	DIMENSION UNITS: mm	SCALE: 1.5:1		
$\nabla_C = 0$	GENERAL TOLERANCES (UNLESS SPECIFIED)		EC NO: 706838	
$\nabla_P = 0$	ANGULAR TOL $\pm 2.0^\circ$		DRWN: SSU09 2022/05/16	
DIVISIONAL SYMBOLS	4 PLACES \pm	INITIAL REVISION:	CHK'D: JKACHLIC 2022/05/31	
	3 PLACES \pm		APPR: JKACHLIC 2022/05/31	
	2 PLACES ± 0.13		DRWN: WZHAO21 2020/09/01	
	1 PLACE ± 0.25		APPR: JKACHLIC 2021/01/12	
0 PLACES \pm	DRAFT WHERE APPLICABLE MUST REMAIN WITHIN DIMENSIONS		DOCUMENT NUMBER: 2040588113	
THIRD ANGLE PROJECTION		DRAWING: C-SIZE	DOC TYPE: PSD	
		SERIES: 204058	DOC PART: 002	
		MATERIAL NUMBER: SEE TABLE	DOC PART REVISION: A2	
		CUSTOMER: GENERAL MARKET	SHEET NUMBER: 1 OF 9	

2040588111 SHOWN



2040588112 SHOWN

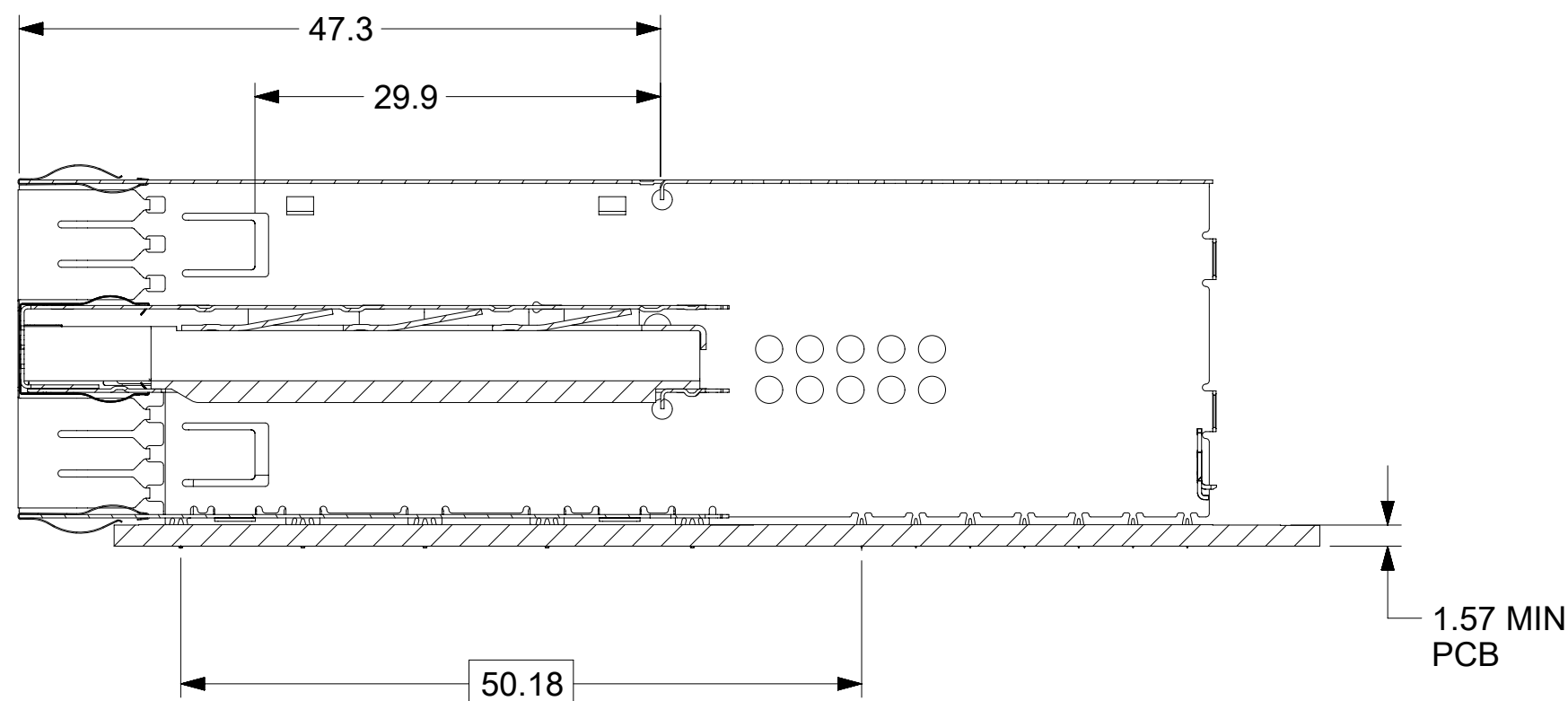
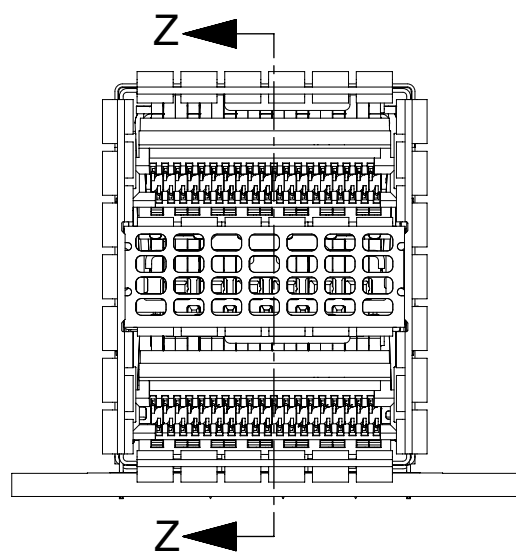
PART NUMBER	DIM.A W/O MODULE	DIM.A WITH MODULE	DIM.B W/O MODULE	DIM.B WITH MODULE
2040588111	31.4 REF	32.65MAX.	31.4 REF	32.65MAX.
2040588112	28.85 REF	30.1MAX.	31.4 REF	32.65MAX.

NOTE:

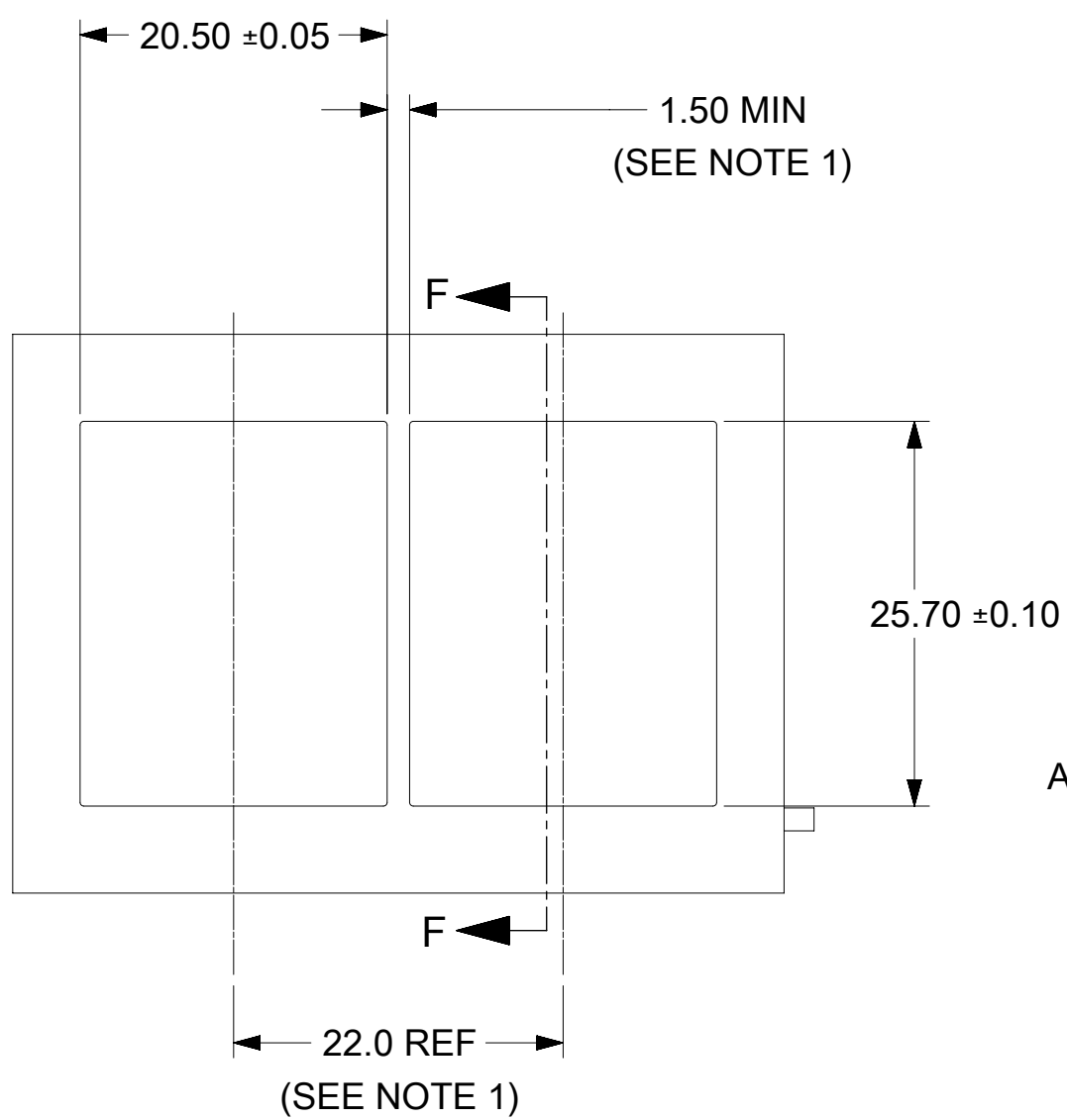
- REFER TO SHEET 1 FOR OTHER DIMENSIONS.
- THE HEIGHT OF HEAT SINK WITH MODULE INSERTED WILL INCREASE, DETAIL REFER THE TABLE.
- DIMENSIONS OF 2040588112 IS THE SAME AS 2040588111, EXCEPT DIM.A AND DIM.B.

FUNCTIONAL SYMBOLS $\nabla_A = 0$ $\nabla_C = 0$ $\nabla_P = 0$ DIVISIONAL SYMBOLS $\nabla = 0$ $\nabla = 0.13$ $\nabla = 0.25$ $\nabla = 0$	THIS DRAWING CONTAINS INFORMATION THAT IS PROPRIETARY TO MOLEX ELECTRONIC TECHNOLOGIES, LLC AND SHOULD NOT BE USED WITHOUT WRITTEN PERMISSION		CURRENT REV DESC:				
	DIMENSION UNITS: mm SCALE: 2:1	GENERAL TOLERANCES (UNLESS SPECIFIED) ANGULAR TOL $\pm 2.0^\circ$		EC NO: 706838 DRWN: SSU09 2022/05/16 CHK'D: JKACHLIC 2022/05/31 APPR: JKACHLIC 2022/05/31		DDQ 2X1 FG, GENERAL MARKET, SALES DRAWING	
	4 PLACES \pm 3 PLACES \pm 2 PLACES ± 0.13 1 PLACE ± 0.25 0 PLACES \pm	INITIAL REVISION: DRWN: WZHAO21 2020/09/01 APPR: JKACHLIC 2021/01/12		PRODUCT CUSTOMER DRAWING		DOCUMENT NUMBER: 2040588113	
	DRAFT WHERE APPLICABLE MUST REMAIN WITHIN DIMENSIONS	THIRD ANGLE PROJECTION	DRAWING: C-SIZE	SERIES: 204058		MATERIAL NUMBER: SEE TABLE CUSTOMER: GENERAL MARKET	DOC TYPE: PSD DOC PART: 002 REVISION: A2 SHEET NUMBER: 2 OF 9

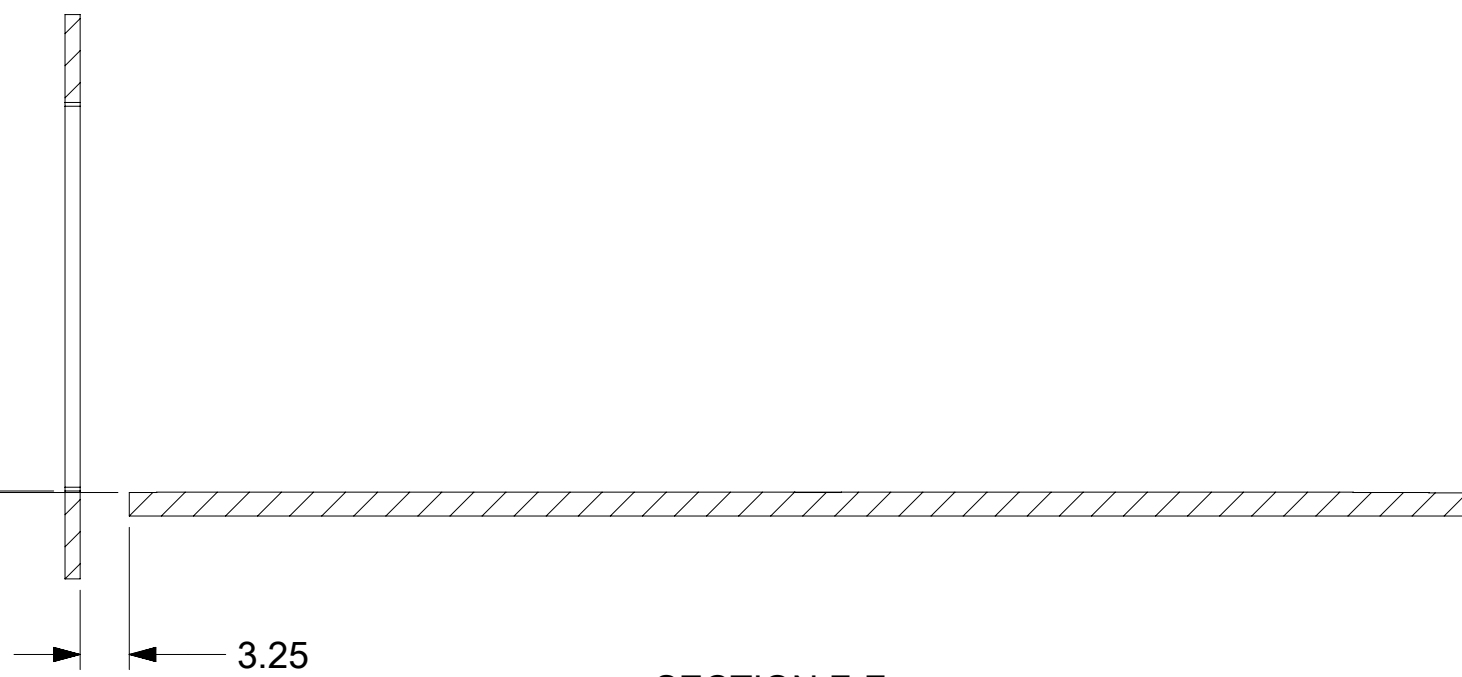
2040588113 SHOWN



SECTION Z-Z
(CONNECTOR IS NOT SHOWN)


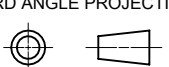


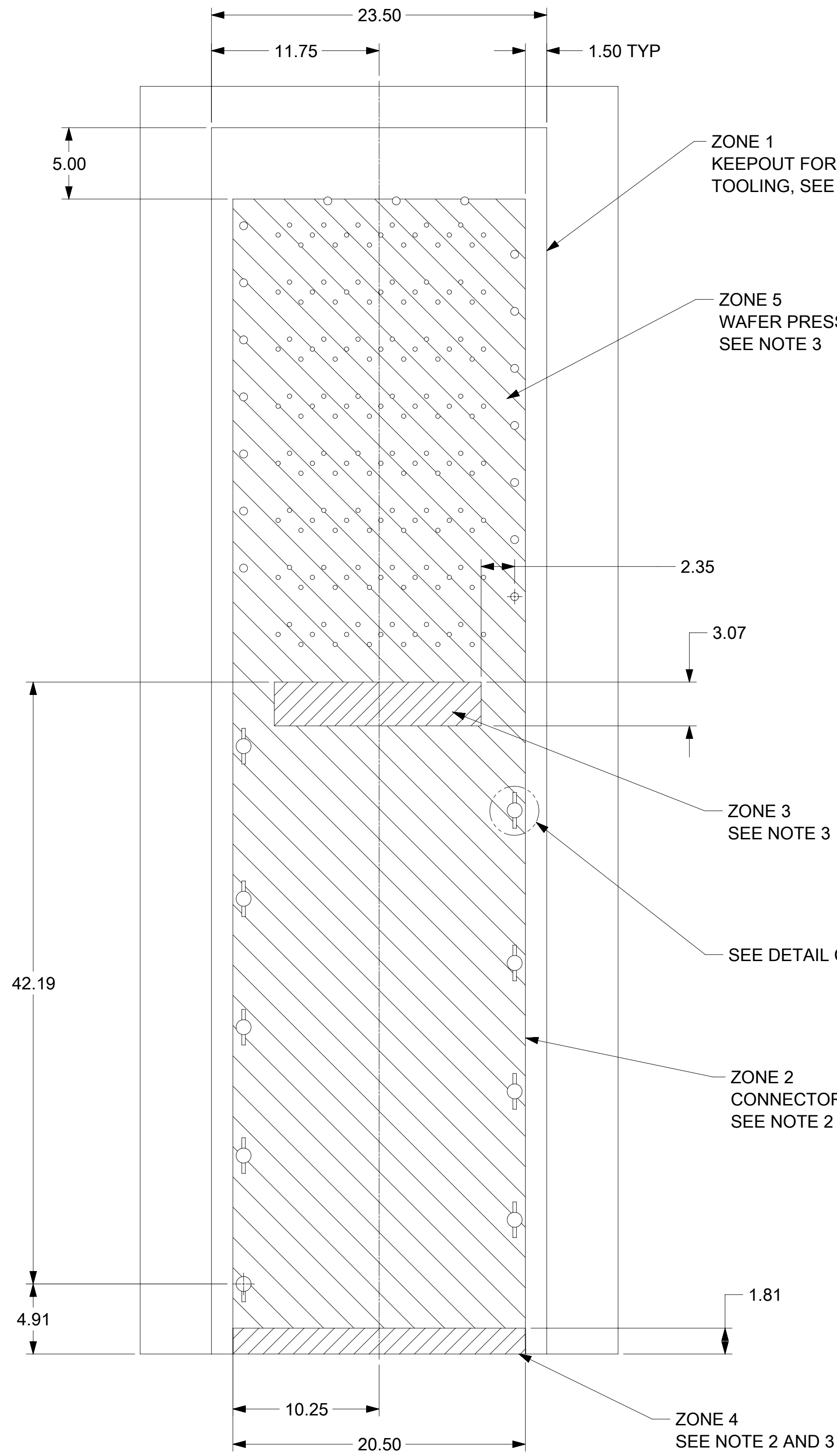
0.10 ± 0.10
(BEZEL OPENING
ABOVE PCB PAD SURFACE)



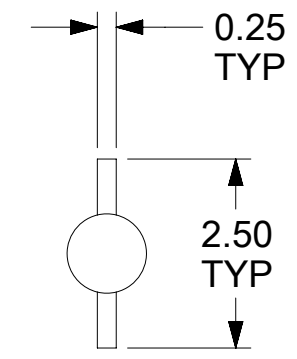
SECTION F-F

NOTE:
1. DIMENSIONS VARY BY PCB LAYOUT AND EXTRACTION TOOLING DESIGN.

FUNCTIONAL SYMBOLS	THIS DRAWING CONTAINS INFORMATION THAT IS PROPRIETARY TO MOLEX ELECTRONIC TECHNOLOGIES, LLC AND SHOULD NOT BE USED WITHOUT WRITTEN PERMISSION										
	DIMENSION UNITS	SCALE	CURRENT REV DESC:							 DDQ 2X1 FG, GENERAL MARKET, SALES DRAWING	
$\frac{F}{A} = 0$	mm	2:1	EC NO: 706838								
$\frac{F}{C} = 0$	GENERAL TOLERANCES (UNLESS SPECIFIED)		DRWN: SSU09							DOC TYPE	
$\frac{F}{P} = 0$	ANGULAR TOL ± 2.0°		2022/05/16							DOC PART	
DIVISIONAL SYMBOLS	4 PLACES ±		CHK'D: JKACHLIC							REVISION	
	3 PLACES ±		APPR: JKACHLIC							2022/05/31	
	2 PLACES ± 0.13		INITIAL REVISION:							2020/09/01	
	1 PLACE ± 0.25		DRWN: WZHAO21							2021/01/12	
0 PLACES ±		APPR: JKACHLIC							2021/01/12		
DRAFT WHERE APPLICABLE MUST REMAIN WITHIN DIMENSIONS			THIRD ANGLE PROJECTION	DRAWING	SERIES	MATERIAL NUMBER	CUSTOMER	SHEET NUMBER			
				C-SIZE	204058	SEE TABLE	GENERAL MARKET	3 OF 9			

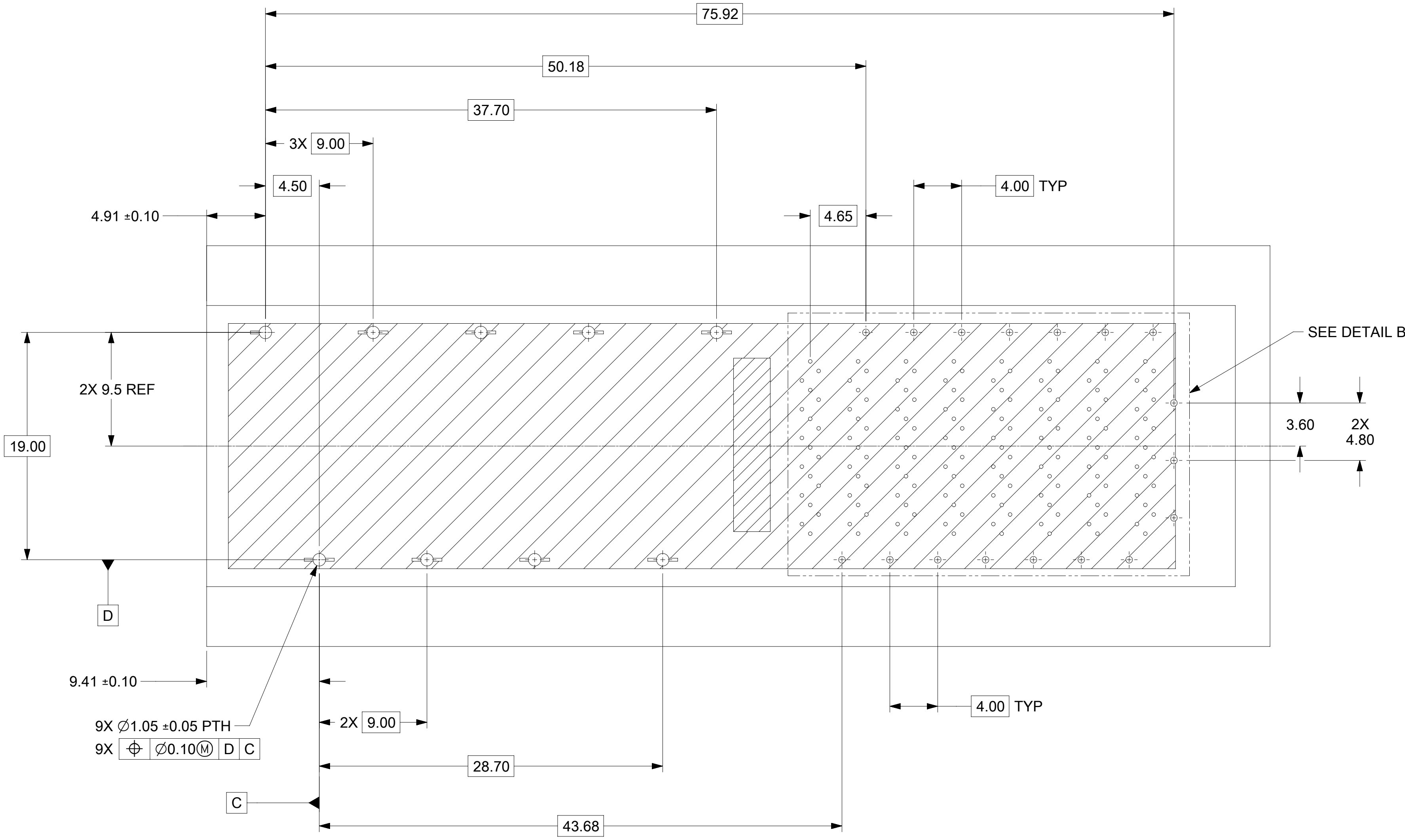


- NOTES**
1. THIS AREA TO BE CONSIDERED A KEEP OUT AREA FOR COMPONENTS.
 2. THE ENTIRE AREA UNDER THE CONNECTOR IS TO BE CONSIDERED A KEEP-OUT AREA FOR COMPONENTS.
 3. HATCHED AREAS REPRESENT ZONES ON THE PCB THAT COME IN CONTACT WITH OR BE IN CLOSE PROXIMITY TO THE PLASTIC HOUSING OR THE CONNECTOR CAGE. INDICATED AREAS TO BE CONSIDERED TRACE FREE.



DETAIL C
SCALE 10:1

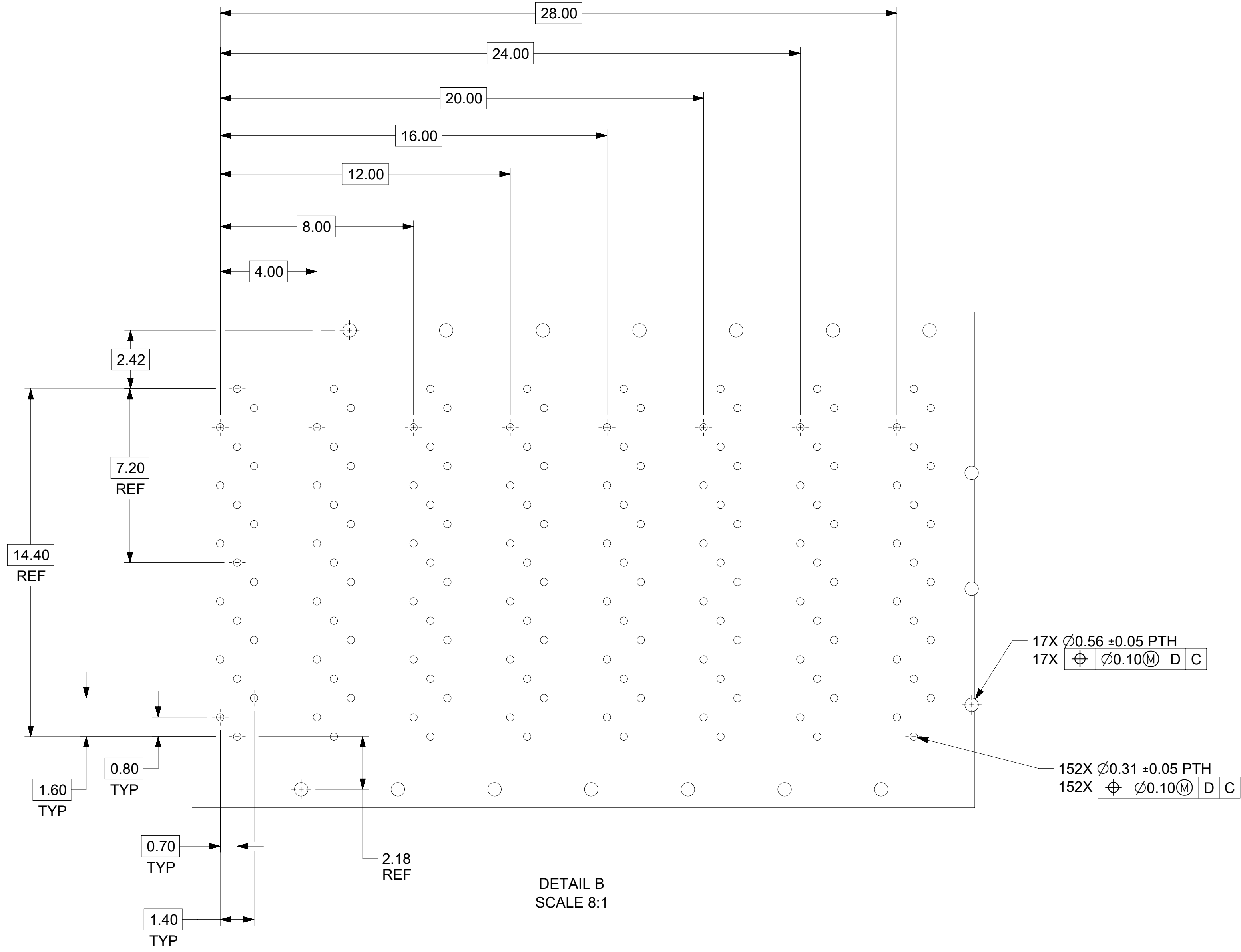
FUNCTIONAL SYMBOLS	THIS DRAWING CONTAINS INFORMATION THAT IS PROPRIETARY TO MOLEX ELECTRONIC TECHNOLOGIES, LLC AND SHOULD NOT BE USED WITHOUT WRITTEN PERMISSION		
	DIMENSION UNITS	SCALE	CURRENT REV DESC:
$F_A = 0$	mm	4:1	EC NO: 706838 DRWN: SSU09 2022/05/16 CHK'D: JKACHLIC 2022/05/31 APPR: JKACHLIC 2022/05/31
$F_C = 0$	GENERAL TOLERANCES (UNLESS SPECIFIED)		
$F_P = 0$	ANGULAR TOL $\pm 2.0^\circ$		INITIAL REVISION: DRWN: WZHAO21 2020/09/01 APPR: JKACHLIC 2021/01/12
DIVISIONAL SYMBOLS	4 PLACES \pm	3 PLACES \pm	
	2 PLACES ± 0.13	1 PLACE ± 0.25	DOCUMENT NUMBER
	0 PLACES \pm		2040588113
	DRAFT WHERE APPLICABLE MUST REMAIN WITHIN DIMENSIONS	THIRD ANGLE PROJECTION	DOC TYPE
		DRAWING	PSD
		SERIES	DOC PART
		C-SIZE	002
		204058	REVISION
			A2
		MATERIAL NUMBER	SHEET NUMBER
		SEE TABLE	4 OF 9
		CUSTOMER	
		GENERAL MARKET	



- NOTES:
- PIN NUMBERS ARE PER THE STANDARD. BOTH PORTS ARE IN THE SAME (UP-UP) MODULE ORIENTATION.
 - THE 17 HOLES AROUND THE PIN FIELD ARE FOR OPTIONAL GROUND PINS.
 - RECOMMENDED ANNULAR RING SIZE AROUND THE $\varnothing 0.31$ FINISHED PTH IS $\varnothing 0.66$.
 - RECOMMENDED DRILL SIZE FOR THE $0.31\varnothing$ PTH IS $\varnothing 0.4$ DRILL.

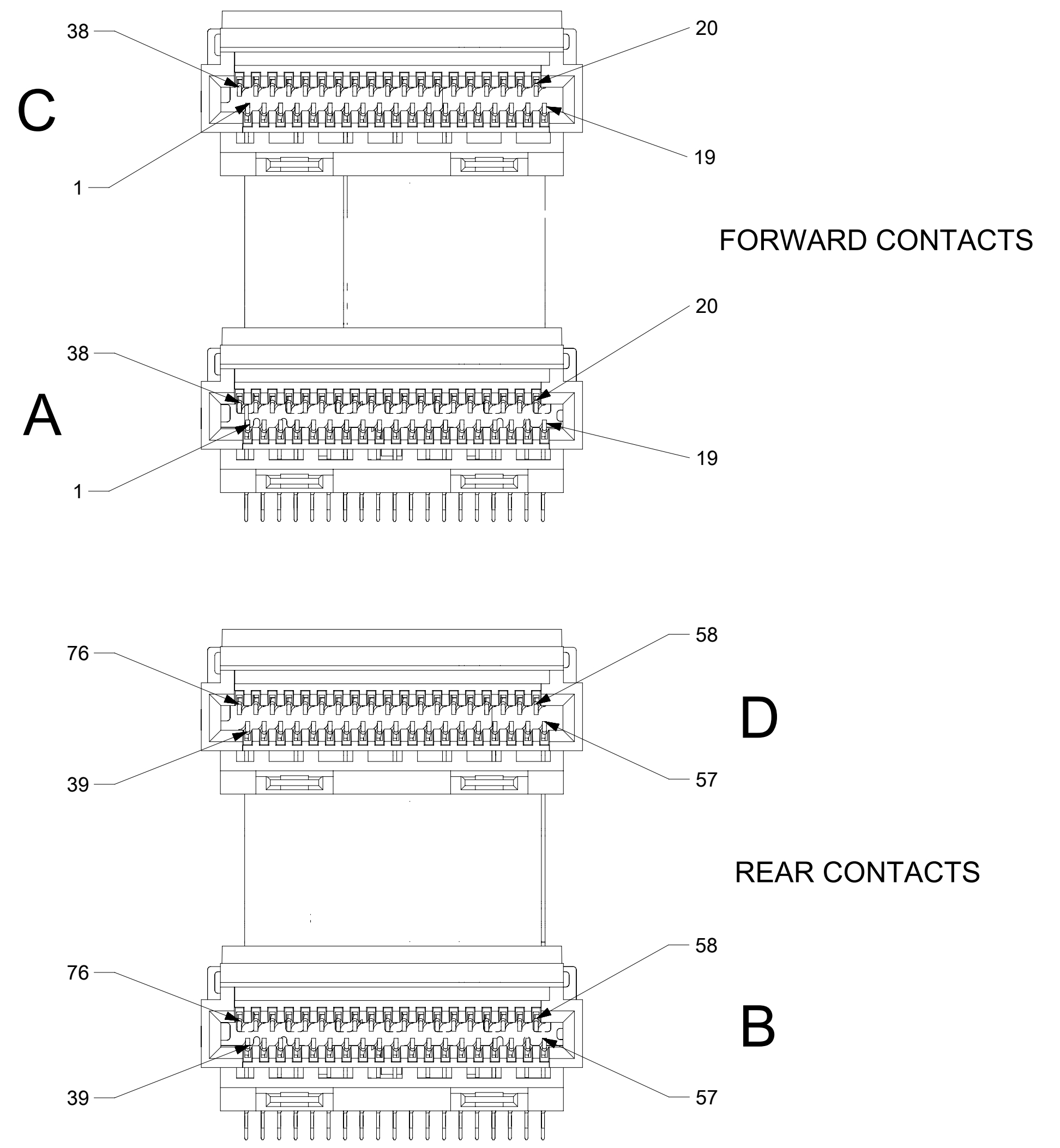
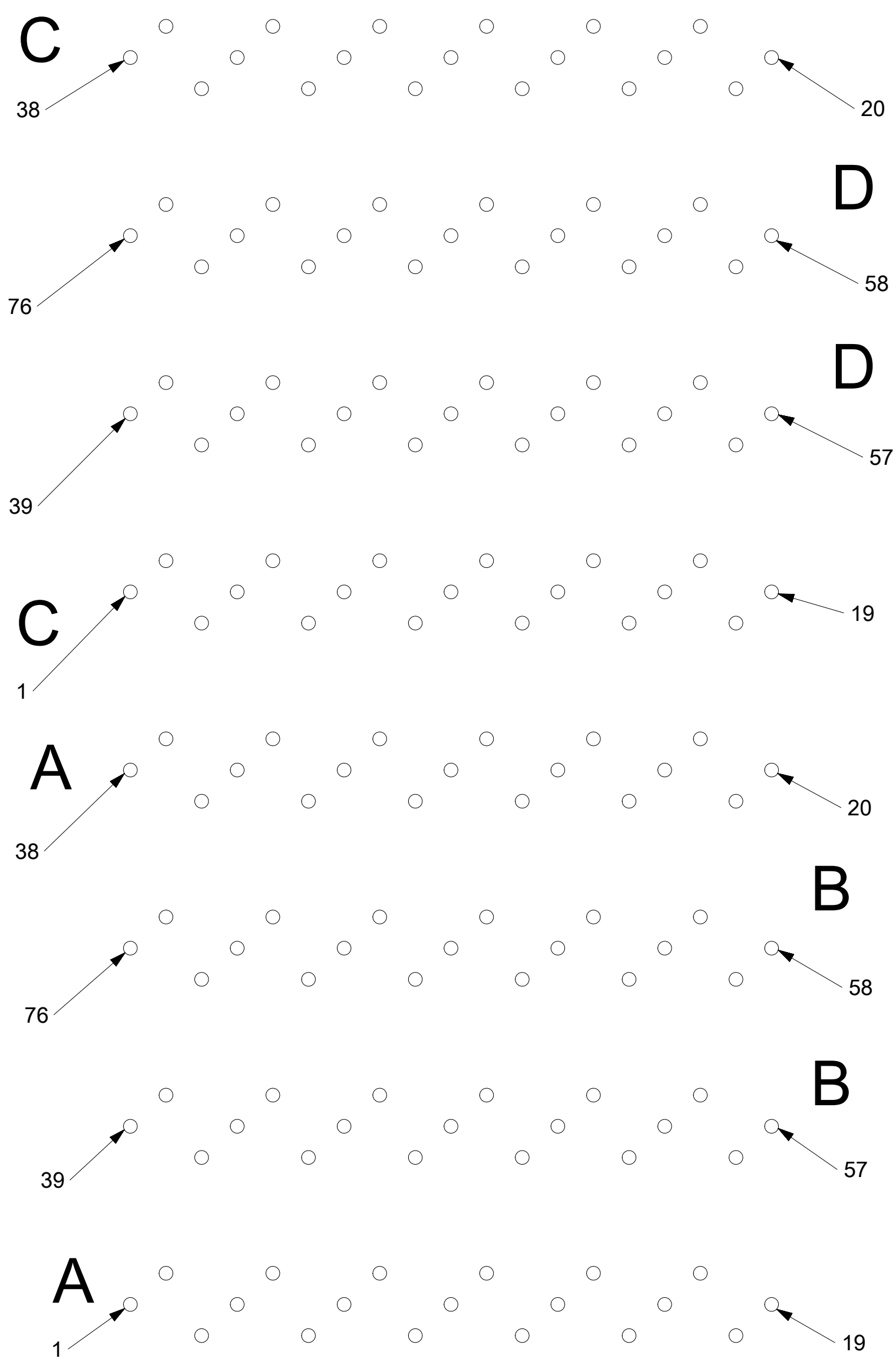
FUNCTIONAL SYMBOLS	THIS DRAWING CONTAINS INFORMATION THAT IS PROPRIETARY TO MOLEX ELECTRONIC TECHNOLOGIES, LLC AND SHOULD NOT BE USED WITHOUT WRITTEN PERMISSION		CURRENT REV DESC:	
	DIMENSION UNITS	SCALE		
$\frac{F}{A} = 0$	mm	4:1		
$\frac{E}{C} = 0$	GENERAL TOLERANCES (UNLESS SPECIFIED)			
	ANGULAR TOL $\pm 2.0^\circ$			
DIVISIONAL SYMBOLS	4 PLACES	\pm	EC NO: 706838	
	3 PLACES	\pm	DRWN: SSU09	2022/05/16
	2 PLACES	± 0.13	CHK'D: JKACHLIC	2022/05/31
	1 PLACE	± 0.25	APPR: JKACHLIC	2022/05/31
0 PLACES	\pm	INITIAL REVISION:		
DRAFT WHERE APPLICABLE MUST REMAIN WITHIN DIMENSIONS		THIRD ANGLE PROJECTION	DRAWING	SERIES
			C-SIZE	204058
DOCUMENT STATUS		P1	RELEASE DATE	2022/05/31 01:42:03
DOCUMENT NUMBER		CUSTOMER		SHEET NUMBER
2040588113		GENERAL MARKET		5 OF 9
DDQ 2X1 FG, GENERAL MARKET, SALES DRAWING		PRODUCT CUSTOMER DRAWING		REVISION
		DOC TYPE		DOC PART
		PSD 002		A2

MODULE INSERTION
DIRECTION
→



DETAIL B
SCALE 8:1

FUNCTIONAL SYMBOLS $\frac{F}{A} = 0$ $\frac{F}{C} = 0$ $\frac{F}{P} = 0$	THIS DRAWING CONTAINS INFORMATION THAT IS PROPRIETARY TO MOLEX ELECTRONIC TECHNOLOGIES, LLC AND SHOULD NOT BE USED WITHOUT WRITTEN PERMISSION		CURRENT REV DESC:		
	DIMENSION UNITS	SCALE	EC NO: 706838		
	mm	1:1	DRWN: SSU09 2022/05/16		
	GENERAL TOLERANCES (UNLESS SPECIFIED)		CHK'D: JKACHLIC 2022/05/31		
ANGULAR TOL ± 2.0°		APPR: JKACHLIC 2022/05/31		PRODUCT CUSTOMER DRAWING	
4 PLACES ±		INITIAL REVISION:		DOCUMENT NUMBER	DOC TYPE
3 PLACES ±		DRWN: WZHAO21 2020/09/01		2040588113	PSD
2 PLACES ± 0.13		APPR: JKACHLIC 2021/01/12		002	A2
1 PLACE ± 0.25		THIRD ANGLE PROJECTION		MATERIAL NUMBER	CUSTOMER
0 PLACES ±		DRAWING		SEE TABLE	GENERAL MARKET
DRAFT WHERE APPLICABLE MUST REMAIN WITHIN DIMENSIONS		SERIES		SHEET NUMBER	
		C-SIZE 204058		6 OF 9	



FUNCTIONAL SYMBOLS	THIS DRAWING CONTAINS INFORMATION THAT IS PROPRIETARY TO MOLEX ELECTRONIC TECHNOLOGIES, LLC AND SHOULD NOT BE USED WITHOUT WRITTEN PERMISSION		
	DIMENSION UNITS	SCALE	CURRENT REV DESC:
$\frac{E}{A} = 0$	mm	4:1	EC NO: 706838 DRWN: SSU09 2022/05/16 CHK'D: JKACHLIC 2022/05/31 APPR: JKACHLIC 2022/05/31
$\frac{E}{C} = 0$	GENERAL TOLERANCES (UNLESS SPECIFIED)		
$\frac{E}{P} = 0$	ANGULAR TOL $\pm 2.0^\circ$		INITIAL REVISION:
DIVISIONAL SYMBOLS	4 PLACES	\pm	DRWN: WZHAO21 2020/09/01
	3 PLACES	\pm	APPR: JKACHLIC 2021/01/12
	2 PLACES	± 0.13	
	1 PLACE	± 0.25	
	0 PLACES	\pm	
DRAFT WHERE APPLICABLE MUST REMAIN WITHIN DIMENSIONS		THIRD ANGLE PROJECTION	DRAWING SERIES
			C-SIZE 204058
DOCUMENT STATUS		DOC NUMBER	DOC TYPE DOC PART REVISION
P1	RELEASE DATE 2022/05/31 01:42:03	2040588113	PSD 002 A2
		MATERIAL NUMBER	CUSTOMER SHEET NUMBER
		SEE TABLE	GENERAL MARKET 7 OF 9

MODULE INSERTION DIRECTION

molex

DDQ 2X1 FG, GENERAL MARKET, SALES DRAWING

PRODUCT CUSTOMER DRAWING

TOP OF BOARD

- A38
- A37
- A36
- A35
- A34
- A33
- A32
- A31
- A30
- A29
- A28
- A27
- A26
- A25
- A24
- A23
- A22
- A21
- A20

- B76
- B75
- B74
- B73
- B72
- B71
- B70
- B69
- B68
- B67
- B66
- B65
- B64
- B63
- B62
- B61
- B60
- B59
- B58


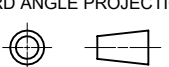
- B39
- B40
- B41
- B42
- B43
- B44
- B45
- B46
- B47
- B48
- B49
- B50
- B51
- B52
- B53
- B54
- B55
- B56
- B57

- A1
- A2
- A3
- A4
- A5
- A6
- A7
- A8
- A9
- A10
- A11
- A12
- A13
- A14
- A15
- A16
- A17
- A18
- A19

BOTTOM OF BOARD

FUNCTIONAL SYMBOLS	THIS DRAWING CONTAINS INFORMATION THAT IS PROPRIETARY TO MOLEX ELECTRONIC TECHNOLOGIES, LLC AND SHOULD NOT BE USED WITHOUT WRITTEN PERMISSION												
	DIMENSION UNITS	SCALE	CURRENT REV DESC:							molex			
$\frac{F}{A} = 0$	mm	4:1	EC NO: 706838									DDQ 2X1 FG, GENERAL MARKET, SALES DRAWING	
$\frac{F}{C} = 0$	GENERAL TOLERANCES (UNLESS SPECIFIED)		DRWN: SSU09 2022/05/16							PRODUCT CUSTOMER DRAWING			
$\frac{F}{P} = 0$	ANGULAR TOL $\pm 2.0^\circ$		CHK'D: JKACHLIC 2022/05/31							DOCUMENT NUMBER			
DIVISIONAL SYMBOLS	4 PLACES \pm		APPR: JKACHLIC 2022/05/31							DOC TYPE			
	3 PLACES \pm		INITIAL REVISION:							DOC PART			
	2 PLACES ± 0.13		DRWN: WZHAO21 2020/09/01							REVISION			
1 PLACE ± 0.25		APPR: JKACHLIC 2021/01/12							2040588113		PSD	002	A2
0 PLACES \pm		DRAFT WHERE APPLICABLE MUST REMAIN WITHIN DIMENSIONS		THIRD ANGLE PROJECTION		DRAWING	SERIES	MATERIAL NUMBER	CUSTOMER	SHEET NUMBER			
						C-SIZE	204058	SEE TABLE	GENERAL MARKET	8 OF 9			

REV	DATE	DESCRIPTION
1	2020/09/01	INITIAL RELEASE .
A1	2021/06/25	UPDATED VIEWS IN SHEET 4 AND UPDATED NOTES @ SHEET 4/ H5
A2	2022/05/16	UPDATE A TYPING ERROR ON C9 AT SHEET 1:CHANGE SPRING FINGER TOLERANCE FROM 1.1+0.5/+0.1 TO 1.1+0.5/-0.1.

FUNCTIONAL SYMBOLS	THIS DRAWING CONTAINS INFORMATION THAT IS PROPRIETARY TO MOLEX ELECTRONIC TECHNOLOGIES, LLC AND SHOULD NOT BE USED WITHOUT WRITTEN PERMISSION															
	DIMENSION UNITS	SCALE	CURRENT REV DESC:													
$\frac{F}{A} = 0$	mm	1:1	EC NO: 706838 DRWN: SSU09 2022/05/16 CHK'D: JKACHLIC 2022/05/31 APPR: JKACHLIC 2022/05/31 INITIAL REVISION: DRWN: WZHAO21 2020/09/01 APPR: JKACHLIC 2021/01/12									DOCUMENT NUMBER		DOC TYPE	DOC PART	REVISION
$\frac{F}{C} = 0$	GENERAL TOLERANCES (UNLESS SPECIFIED)									2040588113		PSD	002	A2		
$\frac{F}{P} = 0$	ANGULAR TOL ± 2.0°									2040588113						
DIVISIONAL SYMBOLS	4 PLACES	±	DRAFT WHERE APPLICABLE MUST REMAIN WITHIN DIMENSIONS							THIRD ANGLE PROJECTION		DRAWING	SERIES	MATERIAL NUMBER	CUSTOMER	SHEET NUMBER
	3 PLACES	±										C-SIZE	204058	SEE TABLE	GENERAL MARKET	9 OF 9
	2 PLACES	± 0.13														
	1 PLACE	± 0.25														
	0 PLACES	±														

DOCUMENT STATUS	P1	RELEASE DATE	2022/05/31 01:42:03
-----------------	----	--------------	---------------------