

A

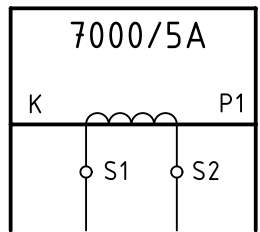
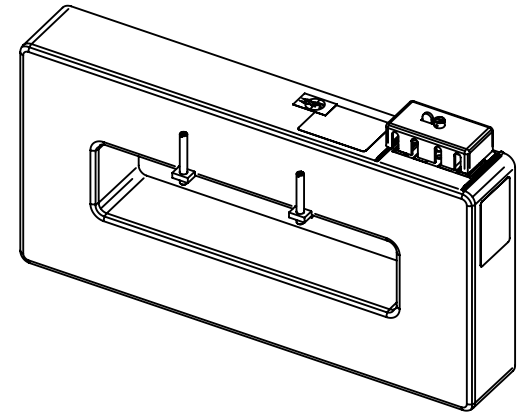
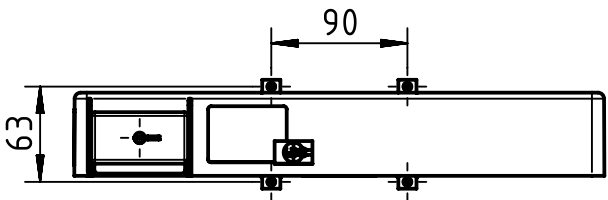
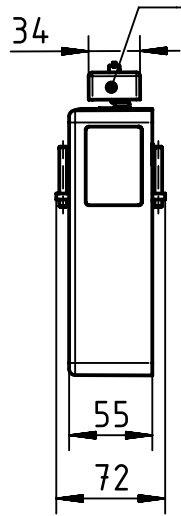
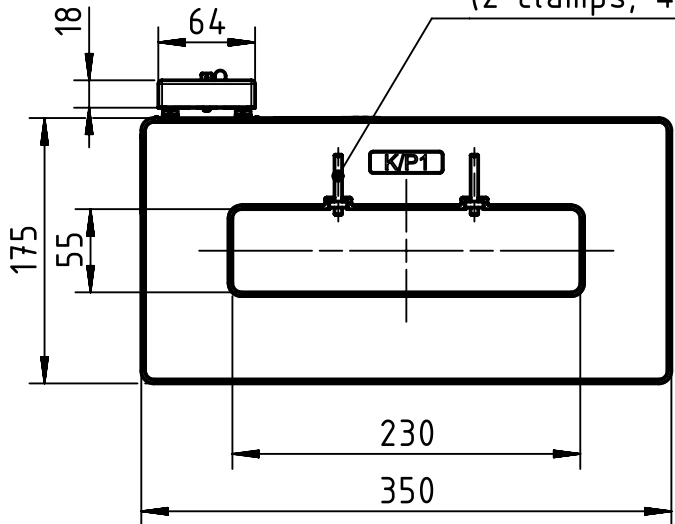
B

C

D

primary busbar clamp
separately enclosed
(2 clamps, 4 screws)

secondary connection cover
including screws
separately enclosed



	All rights reserved Department EL PD - DE	All Dimensions in mm Original Size DIN A4		Scale 1:1	Free size tol.	Ref.	
		Created by VOLAR	Inspected by MATAU	Standardisation SCHMIDTM	Date 2016-02-24	State Final Release	Sub.
HARTING Electric GmbH & Co. KG D-32339 Espelkamp		Title Current transformer 230 x 55mm, 7000/5 A				Doc-Key / ECM-Nr. 100507816/UGD/003/A 500000100665	
		Type TB	Number 20 32 700 0101			Rev. A	Page 1/1