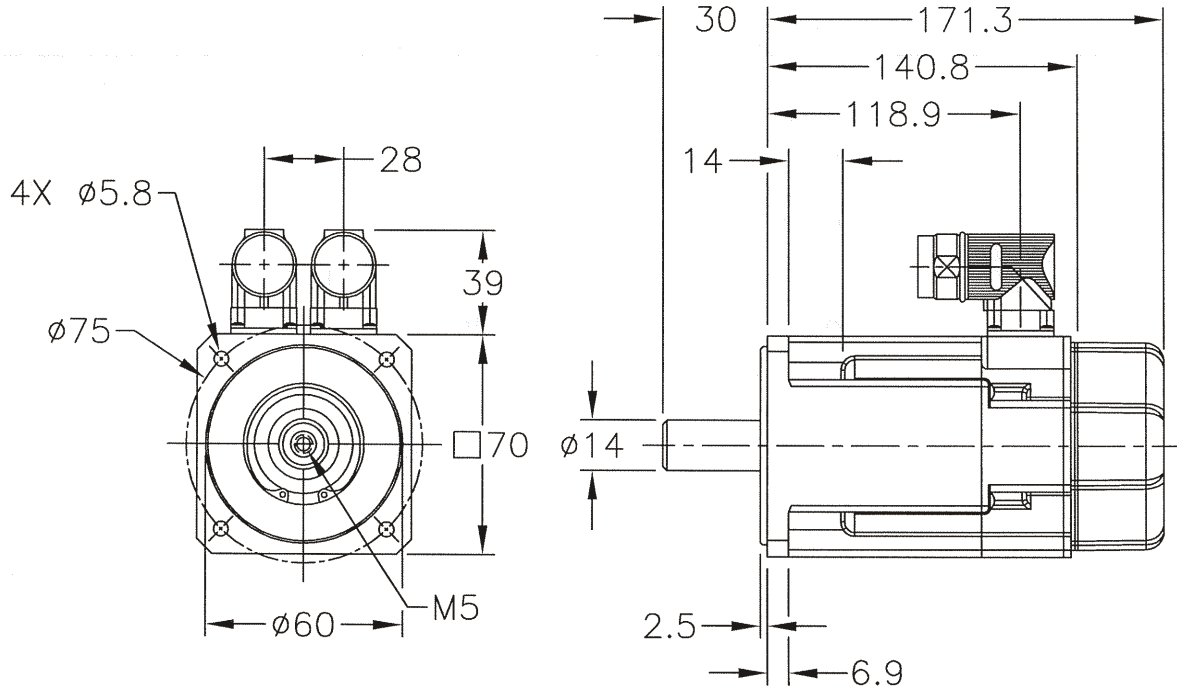


1. PART NUMBER AND CHARACTERISTICS



TE Part No	Rev	Motor Frame Size	Rotor Stack Length	Winding Type	Brake	Mfr Part No
2030884-1	A	3	2	D	24 VDC	AKM32D-ANC2R-00
2030884-2	B	3	2	D	None	AKM32D-ANCNR-00

- 1.1. All dimensions are nominal unless otherwise specified  
 2. RECOMMENDED MANUFACTURER  
 Danaher Motion  
[www.danahermotion.com](http://www.danahermotion.com)  
 or Tyco Electronics Engineering approved equivalent.

<b>COMMERCIAL ITEM SPECIFICATION</b>		MATERIAL						
		FINISH						
© 2008 Tyco Electronics Corporation, Harrisburg, PA All International Rights Reserved				DIMENSIONS IN mm	NO	REV	LOC	DIST
		SHEET 1 OF 1		<b>2030884</b> <b>B</b> <b>B</b> <b>31</b>				
B Add -2		JNB	26SEP08	<b>MOTOR, SERVO, BRUSHLESS, STANDARD MOUNT, SMOOTH SHAFT</b>				
REV	ENGINEERING CHANGE	CHK	DATE					