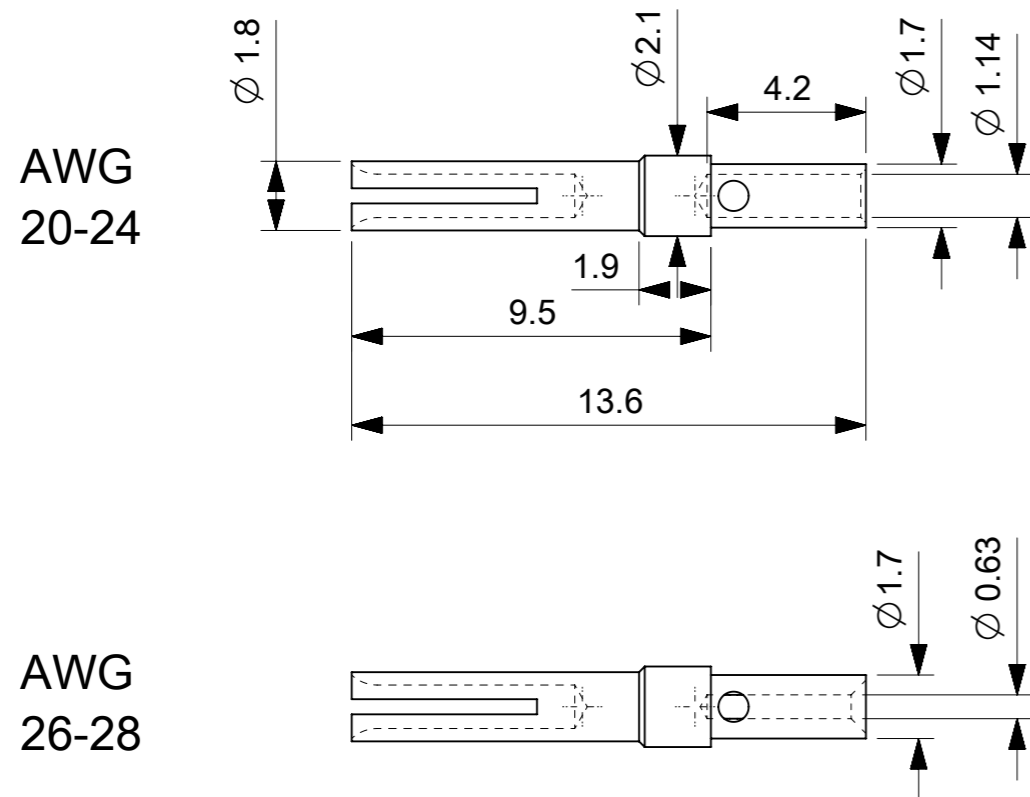
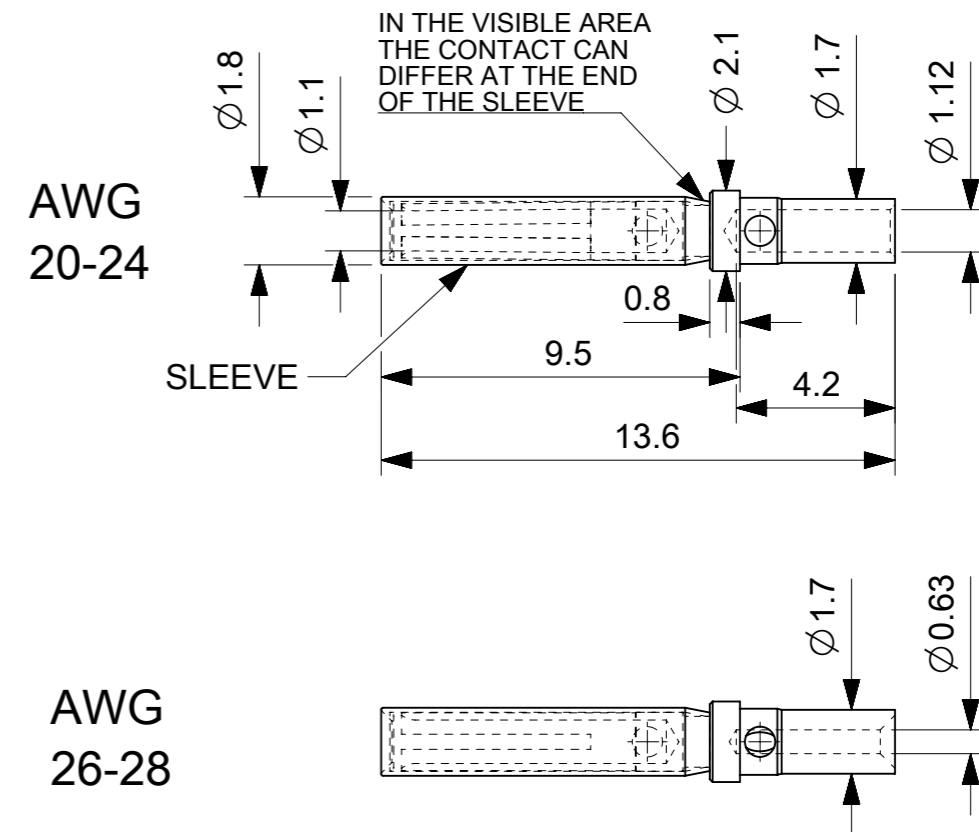


SL. No	PART NUMBER	PART DESCRIPTION	TYPE
1	202936-1000	MULTICAT MID POWER FEMALE CRP 20-24 AWG, 0.2 μm min Au over 2μm min ductile Ni	WITHOUT SLEEVE
2	202936-2000	MULTICAT MID POWER FEMALE CRP 26-28 AWG, 0.2 μm min Au over 2μm min ductile Ni	WITHOUT SLEEVE
3	202936-3000	MULTICAT MID POWER FEMALE CRP 20-24 AWG, 1.3 μm min Au over 2μm min ductile Ni	WITHOUT SLEEVE
4	202936-4000	MULTICAT MID POWER FEMALE CRP 26-28 AWG, 1.3 μm min Au over 2μm min ductile Ni	WITHOUT SLEEVE
5	202936-0100	MULTICAT MID POWER FEMALE CRP 20-24 AWG, 1.3 μm min Au over 2μm min ductile Ni	WITH SLEEVE
6	202936-0200	MULTICAT MID POWER FEMALE CRP 26-28 AWG, 1.3 μm min Au over 2μm min ductile Ni	WITH SLEEVE

WITHOUT SLEEVE



WITH SLEEVE



NOTE:

- MATERIAL: COPPER ALLOY
SLEEVE MADE OF STAINLESS STEEL
- PLATING: REFER TABLE
- PRODUCT SPECIFICATION : 2059250000-PS
- APPLICATION SPECIFICATION: 2059250000-AS
- TEST SUMMARY: 2059250000-TS
- PACKAGING SPECIFICATION: 2029350000-PK
- MATES WITH TERMINAL SERIES: 202935
- USED WITH HOUSING SERIES: 205926
- MAXIMUM ALLOWED WIRE DIAMETER IS 1.90mm FOR HOUSING.
- RECOMMENDED TO USE INSERTION TOOL FOR TERMINAL INSERTION IN TO HOUSING CAVITY

RoHS compliant by exemption 6(c)

THIS DRAWING CONTAINS INFORMATION THAT IS PROPRIETARY TO MOLEX ELECTRONIC TECHNOLOGIES, LLC AND SHOULD NOT BE USED WITHOUT WRITTEN PERMISSION									
DIMENSION UNITS		SCALE		CURRENT REV DESC:				molex	
mm		5:1							
GENERAL TOLERANCES (UNLESS SPECIFIED)				EC NO: 611853					
ANGULAR TOL ± °				DRWN: MRAMAKRISHNA		2018/12/24		MULTICAT MID POWER TERM FEMALE CRP	
4 PLACES ±				CHK'D: ISHWARG		2019/02/11		PRODUCT CUSTOMER DRAWING	
3 PLACES ±				APPR: ISHWARG		2019/02/11		DOCUMENT NUMBER	
2 PLACES ± 0.2				INITIAL REVISION:				2029360000-SD	
1 PLACE ± 0.2				DRWN: MRAMAKRISHNA		2018/12/24		DOC TYPE	
0 PLACES ±				APPR: ISHWARG		2019/02/11		PSD	
DRAFT WHERE APPLICABLE MUST REMAIN WITHIN DIMENSIONS		THIRD ANGLE PROJECTION		DRAWING		SERIES		MATERIAL NUMBER	
		A3-SIZE		202936		SEE TABLE		CUSTOMER	
				GENERAL MARKET		SHEET NUMBER		1 OF 1	