



CATALOGUE 2022-2023
OPTOELECTRONIC COMPONENTS

www.everlight.com

EVERLIGHT

EVERLIGHT

One Source For Every Need

EVERLIGHT Electronics Co., Ltd. was founded in 1983 in Taipei, Taiwan led by Chairman Robert Yeh. EVERLIGHT Electronics Co. has over 40 years of R&D experience for reliable capability. With immediate service and an excellent brand reputation, EVERLIGHT has taken top five in the competitive LED market. Our products are manufactured and packed in-house to guarantee maximum quality and service.

EVERLIGHT provides a diverse product portfolio consisting of High Power LEDs, SMD LEDs, Lamps, Lighting Components, LED Lighting Modules, Digital Displays, Opto-couplers and Infrared Components for various applications. Today, EVERLIGHT is a global company with over 6,400 employees based in China, Hong Kong, Japan, Korea, Singapore, Malaysia, India, Germany and U.S.A.

For more information, please visit our website :

www.everlight.com

CONTENTS

Alphanumeric Index		04			
Conditions of RoHS		15			
Application Notice		16			
Technical Data		17			
Visible LED					
Lighting		52			
Horticulture Lighting		66			
UV		69			
Flash LED		76			
SMD LED	Surface Mount PLCC LEDs (Reflector)	Top View LED	82		
		Top View Bi-Color	83		
		Reverse Mount LED Bi-Color	83		
		Top View PLCC2	84		
		Top View PLCC3	87		
		Top View PLCC4	88		
		Top View PLCC6	88		
		Side View LED	89		
		Surface Mount Chip LED (PCB)	Top View 0402 (0.2T~0.5T)	90	
	Top View 0603 (0.2T~0.8T)		92		
	Top View 0805		96		
	Top View 1206		97		
	Top View LED		100		
	Top View Bi-Color		100		
	Top View Full Color		104		
	Side View (0.2T~1.0T)		106		
	Side View Bi-Color		110		
	Side View Full Color		111		
	Reverse Mount		112		
	Reverse Mount Bi-color		114		
	Reverse Mount Full-color		115		
	Subminiature LED Lamps (Leadframe)			116	
			Surface Mount (RGB+IC)	117	
	LED Lamps		2mm Tower Type	119	
			3mm Round Type	119	
			5mm Round Type	124	
		3mm Cylindrical	129		
5mm Cylindrical		129			
5mm Square		129			
Rectangular		130			
3mm Assembly LED		132			
5mm Assembly LED		135			
LED Digital Displays	Chip On Board Display	Single Digit Display	136		
		Dual Digit Display	138		
		Three Digit Display	142		
		Four Digit Display	144		
		Dot Matrix Display	146		
		Light Bar Display	147		
	SMD Display	Single Digit Display	148		
		Dual Digit Display	151		
		Three Digit Display	152		
		Four Digit Display	153		
		Signage LED	Surface Mount PLCC LED (Reflector)	3mm Oval Type	154
				5mm Oval Type	159
5mm Round Type	159				
Automotive LED	161				
Automotive LED	Under 0.5W	161			
	0.5W-1W	167			
	Above 1W	170			
Backlighting LED	Direct	172			
	Edge	172			
	Side View	175			
	Automotive	178			
	Local Dimming	179			

Infrared LED, Sensors, Couplers

Infrared LED and Silicon Detector			182
Infrared Receiver Module	DIP		209
	SMD		211
Optic-Fiber Device (Photo Link)	Transmitter (PLT) Component		214
	Receiver (PLR) Component		215
Optical Switch	Transmissive Type		216
	Reflective Type		218
Optical Sensors	Ambient Light Sensor	Analog	220
		Digital	223
	Proximity Sensor	Digital	224
	Color Sensor	Digital	225
		Analog	226
Photo Coupler	Photo Transistor	4Pin SSOP-AC	227
		4Pin SSOP-DC	227
		16Pin SSOP-AC	228
		16Pin SSOP-DC	228
		4Pin SOP-AC	228
		4Pin SOP-DC	229
		8Pin SOP-DC	230
		4pin Long Creepage	231
		5pin Long Creepage	231
		4Pin DIP-AC	232
		4Pin DIP-DC	232
		6Pin DIP-AC	233
		6Pin DIP-DC	233
		8Pin DIP-DC	234
		16Pin DIP-DC	234
		4Pin High Isolation	235
	Photo Darlington	4Pin SOP-DC	236
		4Pin DIP-DC	236
		6Pin DIP-DC	237
		8Pin DIP-DC	237
	Schmitt Trigger	6Pin DIP-DC	238
	High Speed	5Pin SOP-DC	238
		6Pin SDIP-DC	240
		8Pin SOP-DC	240
		8pin DIP-DC	242
		8Pin Wide Body DIP-DC	244
		4pin SOP-DC	245
		4pin DIP-DC	246
	Triac Driver	5Pin DIP-DC	247
		6Pin DIP-DC	248
	Photo Power Triac Driver	7Pin DIP-DC	249
	Solid State Relay	4Pin SOP-DC	250
		8Pin SOP-DC	250
		4Pin DIP-DC	251
		6Pin DIP-DC	251
		8Pin DIP-DC	252
	IGBT Gate Driver	6Pin SDIP-DC	252
		8Pin DIP-DC	253
		8Pin Wide Body DIP-DC	253

ALPHANUMERIC INDEX

VISIBLE LED

1003SUBD/S400-A6	131	15-21/B6C-YR1S2B2/2T	99	17-215/B6C-YP2RN/3T	97
1003SUGD/S400-A4	131	15-21/B6C-ZQ1R1N/2T	99	17-215/BHC-AP1Q2/3T	97
1003SURD/S530-A3	131	15-21/BHC-AN1P2/2T	99	17-215/BHC-BP2Q2M/3T	97
1003SYGD/S530-E2	131	15-21/G6C-AN1P2/2T	99	17-215/G6C-BM1N2L/3T	97
103SURD/S530-A3	119	15-21/G6C-FM1N2B/2T	99	17-215/G6C-FN2P2B/3T	97
103SYGD/S530-E2	119	15-21/G6C-FP1Q1L/2T	99	17-215/R6C-AQ1R2B/3T	97
103UYD/S530-A3	119	15-21/GHC-XS1T1/2T	99	17-215/S2C-AQ1R2B/3T	97
11-21/BHC-AQ2S2/2T	97	15-21/GHC-YR2U1/3T	99	17-215/S2C-CP2R1B/3T	97
11-21/G6C-AR2S2B/2T	97	15-21/R6C-AN1P2/2T	99	17-223/BHR7C-C30/3C	110
11-21/R6C-AR2S2B/2T	97	15-21/R6C-FQ1R1B/2T	99	17-223/R6G6C-D30/3C	110
12-11/BHC-ZL1M2QY/2C	106	15-21/S2C-AQ2R2B/2T	99	18-038BT/BDGAR6S1-FM01/10T	156
12-11/T3D-CP1Q2B12Y/2C	106	15-21/S3C-AP1Q2/2T	99	18-039FBT/BDGAR6S1-FM02/38T	156
12-21/BHC-AN1P2/2C	106	15-21/T1D-CP1Q2TY/2T	99	18-225/B6R6C-C01/3T	101
12-21/BHC-ZL1M2RY/2C	106	15-21/T7D-JQ2S1PY/2T	99	18-225/R6G6C-A01/3T	101
12-21/GHC-YR2S2/2C	106	15-21/Y2C-AP1QB/2T	99	18-225/S2G6C-A01/3T	101
12-21/R8C-AN1P2B/2D	106	15-21/Y2C-CP1Q2B/2T	99	18-225A/R6GHW-B01/3T	101
12-21/T3D-AQ2S2M/2C	106	15-215/G7C-BN1P2B/2T	98	19-117/BHC-YJ2K2TX/3T	91
12-215/BHC-AP1Q2/3C	107	15-215/R6C-AM2P1VY/2T	98	19-117/BHC-ZL1M2RY/3T	91
12-215/G6C-BN2P2L/3C	107	15-215/R6C-AQ1R2L/2T	98	19-117/T1D-AP2Q2QY/3T	91
12-215/R6C-AR1S1B/3C	107	15-22/BHG6C-A31/2T	100	19-118/BHC-ZL1M2QY/3T	92
12-215/T1D-AQ2R1HY/3C	107	15-22/R6G6C-A32/2T	100	19-123/R6GHC-D01/2T	102
12-21C/BHC-AN1P2/2C	107	15-22/R8T1D-D30/2T	100	19-137/R6GHBHC-A01/2T	104
12-21C/R6C-AS1T1B/2C	107	1533SURD/S530-A3	131	19-21/B6C-AP2Q2M/3T	92
12-21C/T3D-CP1Q2B12Y/2C	107	1533UYD/S530-A3	131	19-21/BHC-AP1Q2/3T	92
12-22/BHR6C-A01/2C	110	1608-C70100H-AM	161	19-21/BHC-ZQ1R2N/3T	92
12-22/BHS2C-C30/2C	110	1608-C70100M-AM	161	19-21/G6C-AL1M2LY/3T	92
12-22/G6R8C-A30/2C	110	1608-IB0100M-AM	161	19-21/G6C-FM1N2B/3T	92
12-22/R6GHC-A30/2C	110	1608-UB0100M-AM	161	19-21/G6C-FP1Q1L/3T	92
12-22/R6T3D-C30/2C	110	1608-UG0100M-AM	161	19-21/GHC-YP1Q2TY/3T	92
12-22/R7G6C-A10/2C	110	1608-UR0100M-AM	161	19-21/GPC-FL1M2B/3T	92
12-22/Y2G6C-A30/2C	110	1608-UY0100M-AM	161	19-21/R6C-AL2N1VY/3T	92
12-23C/R6GHBHC-A01/2C	111	16-213/BHC-AN1P2/3T	90	19-21/R6C-FP1Q2L/3T	92
12-23C/RSGHBHW-5V01/2C	117	16-213/BHC-ZL1M2QY/3T	90	19-21/R7C-AK1L2BY/3T	92
12-23C/S2GHBHC-A01/2C	111	16-213/GHC-YR1S1/3T	90	19-21/R7C-AN2Q1B/3T	92
1224-10SURC/S530-A3	122	16-213/R6C-AQ2R2B/3T	90	19-21/R8C-FN2Q1L/3T	92
1224SDRC/S530-A4	122	16-213/T3D-AP1Q2QY/3T	90	19-21/S2C-AL2M2VY/3T	92
1224SUBC/C470/S400-A4	122	16-213/T7D-AQ1R1QY/3T	90	19-21/S2C-AQ1R2B/3T	92
1224SUGC/S400-A5	122	16-216/T3D-AQ1R2TY/3T	90	19-21/T1D-CPQTY/3T	92
1224SYGC/S530-E2	122	16-219A/T2D-AR2T1QY/3T	91	19-21/Y2C-AL1M2VY/3T	92
1224USOC/S530-A3	122	16-916/T1D-AP1Q2QY/3T	108	19-21/Y2C-CP1Q2B/3T	92
1224UTC/S400-A6	122	17-21/BHC-AP1Q2/3T	96	19-213/B7C-AQ2S1B2/3T	93
1254-10SDRD/S530-A3	122	17-21/BHC-XLMJY/3T	96	19-213/BHC-AP1Q2/3T	93
1254-10SDRT/S530-A3	122	17-21/G6C-AN1P1B/3T	96	19-213/G6C-AP1Q2/3T	93
1254-10SURD/S530-A3	122	17-21/G6C-AP1Q1B/3T	96	19-213/G6C-BM1N2B/3T	93
1254-10SURT/S530-A3	122	17-21/G6C-FM1N2B/3T	96	19-213/G6C-FN2Q1L/3T	93
1254-10SYGD/S530-E2	122	17-21/G6C-FN1P2B/3T	96	19-213/G6W-FN1P1B/3T	93
1254-10SYGT/S530-E2	122	17-21/G6C-FP1Q1B/3T	96	19-213/GHC-XS1T1N/3T	93
1254-10UYD/S530-A3	122	17-21/GHC-XS1T2M/3T	96	19-213/GHC-YP1Q2QY/3T	93
1254-10UYOT/S530-A3	122	17-21/GHC-YR1S2/3T	96	19-213/GHC-YR1S2/3T	93
1259-7SDRSYGW/S530-A3	123	17-21/GPC-AK0M1B/3T	96	19-213/R6C-AM2P1VY/3T	93
1259-7SRSYGW/S530-A3	123	17-21/GVC-AMPB/3T	96	19-213/R6C-AP1Q2B/3T	93
1259-7UYSYGW/S530-A3	123	17-21/R6C-AN2Q1B/3T	96	19-213/R6C-AQ1R2B/3T	93
1383-2SDRD/S530-A3	127	17-21/R6C-AP1Q2L/3T	96	19-213/R7C-AP1Q2L/3T	93
1383-2SURD/S530-A3	127	17-21/R7C-AN2Q1B/3T	96	19-213/R8C-FN1P2/3T	93
1383SDRD/S530-A3	127	17-21/S2C-AP1Q2B/3T	96	19-213/S2C-AP1Q2B/3T	93
1383SYGD/S530-E2	127	17-21/T1D-CP2R1TY/3T	96	19-213/S3C-AN2P2B/3T	93
1383UYD/S530-A3	127	17-21/T1D-KQ1R2B5Y/3T	96	19-213/T1D-KS1T1N/3T	93
15-11/BHC-ZL2N1QY/2T	98	17-21/Y2C-AN1P2/3T	96	19-213/Y2C-AP1Q2B/3T	93
15-11/T1D-AQRHY/2T	98	17-21/Y2C-CN1P2B/3T	96	19-213/Y2C-CN1P2/3T	93
15-13D/R6GHBHC-A01/2T	104	17-21/Y2C-CP2Q2B/3T	96	19-213/Y2C-CP1Q2L/3T	93

19-213/Y2C-CQ1R2/3T	93	209SURSYGC/S530-A3	120	313-2SURD/S530-A3	124
19-213/Y2C-CQ2R2L/3T	93	209UYOSUGC/S530-A3	120	313-2SYGC/S530-E2	124
19-217/B7C-ZL2N1B3X/3T	94	2214-C70201H-AM	162	313-2SYGD/S530-E2	124
19-217/BHC-AN1P2/3T	94	2214-C70301H-AM	162	313-2UYD/S530-A3	124
19-217/BHC-XK1L2B11X/3T	94	22-21/BHC-AN1P2/2C	108	323-2SDRD/S530-A3	124
19-217/BHC-ZL1M2RY/3T	94	22-21/GHC-YR1S2/2C	108	323-2SURD/S530-A3	124
19-217/G7C-AN1P2/3T	94	22-21/R6C-AJ2L1AX/2C	108	323-2SYGD/S530-E2	124
19-217/GHC-YR1S2/3T	94	22-21/Y2C-CP1Q1B/2C	108	3294-15SUBC/S400-A6	123
19-217/R6C-P1Q2/3T	94	22-23/R6GHBHC-A01/2C	111	3294-15SUGC/S400-A6	123
19-217/S2C-AL1M2VY/3T	94	23-21/BHC-AM1N2TY/2A	112	3294-15SURC/S400-A7	123
19-217/S3C-AL2N1VY/3T	94	23-21/G6C-AL2N1/2A	112	3294-15UBGC/S400-A6	123
19-217/T1D-CQ2R2TY/3T	94	23-21/R6C-AM1N2AY/2A	112	333/B1C1-ARUA/MS	159
19-217/T7D-CT2V1N/3T	94	23-215A/BHC-DN2P2E/5A	113	333/G1C1-AVYA/MS	159
19-217/Y5C-AM1N1VY/3T	94	23-21B/BHC-ZM1N2TY/2A	112	333/Y5C1-ATWB/MS	159
19-217/Y5C-AP1Q2/3T	94	23-21B/G6C-AM2P1/2A	112	333-2SDRC/S530-A4	125
19-217/Y5C-AQ2R2/3T	94	23-21B/S2C-AP1Q2B/2A	112	333-2SDRD/S530-A3	125
19-218/BHC-ZL1M2QY/3T	95	23-21B/T1D-CP2Q2TY/2A	112	333-2SUBC/C470/S400-A6	125
19-218/GHC-YR1S2M/3T	95	23-21C/T1D-CP2Q2TY/2A	113	333-2SUBD/S400-A4	125
19-218/R6C-FM2P1B7Y/3T	95	23-22B/R7G6C-A30/2A	114	333-2SUGC/S400-A5	125
19-218/T1D-CQ2R2TY/3T	95	23-22B/R7G6C-A30/2T	114	333-2SURC/S400-A8	125
19-219/R6C-AM1N2VY/3T	95	23-22B/T3S2D-C30/2A	114	333-2SURD/S530-A3	125
19-219/T3D-AQ2R2TY/3T	95	23-22C/S2BHC-B30/2A	115	333-2SYGC/S530-E2	125
19-219/T7D-AV1W1E/3T	95	23-23B/R6GHBHC-A01/2A	115	333-2SYGD/S530-E2	125
19-219/Y5C-AM1N2VY/3T	95	24-21/BHC-A1Q2/2A	113	333-2UTC/S400-A6	125
19-22/G6R6C-A31/2T	102	24-21/GHC-YR2U1/2A	113	333-2UYC/S400-A7	125
19-22/R6BHC-B01/2T	102	25-21/BHC-AR1S2E/2A	114	333-2UYC/S530-A3	125
19-22/R6G6C-A01/2T	102	25-21/GHC-YSU/2A	114	333-2UYD/S530-A3	125
19-22/R6GHC-C02/2T	102	264-7SDRC/S530-A3	120	333-2UYOC/S530-A3-L	125
19-22/Y2G6C-A14/2T	102	264-7SUGC/S400-A4	120	334-15/F1C1-1XZA	126
19-223/G6S2C-A01/2T	103	264-7SUGC/S400-A5	120	334-15/F1C2-7VXA	126
19-223/R6BHC-A05/2T	103	264-7SURC/S400-A8	120	334-15/F1C5-1RTA	126
19-223/R6G6C-A01/2T	103	264-7SURD/S530-A3	120	334-15/FNC1-4YZA	126
19-223/R7BHC-A30/2T	103	264-7SYGC/S530-E3	120	334-15/T1C1-4WYA	126
19-223/R7G6C-A01/2T	103	264-7SYGD/S530-E2	120	334-15/T1C3-2TVA	126
19-223/S2BHC-A01/2T	103	264-7UYC/S400-A9	120	334-15/T1C3-7TVA	126
19-223/S2T1D-C30/2T	103	264-7UYD/S530-A3	120	334-15/T1C5-7QSA	126
19-223/Y2G6C-A01/2T	103	27-21/BHC-AN1P2/3C	109	334-15/T2C3-2TVC	126
19-226/R6BHC-B01/2T	103	27-21/BHC-AP1Q2/3C	109	334-15/T2C5-1PSB	126
19-226/R6G7C-B02/2T	103	27-21/GHC-YR1S2M/3C	109	334-15/T2C5-1QSB	126
19-226/R6GHC-A03/2T	103	27-21/R6C-AP1Q2B/3C	109	334-15/X1C2-1UWA	126
19-237/R6GHBHC-A04/2T	104	27-21/T3D-AP2Q2HY/3C	109	334-15/X1C5-1QSA	126
19-237A/BHR6GHC-A01/2T	105	27-21/Y2C-CPQB/3D	109	334-15/X2C1-1WYB	126
19-237B/R6GHBHC-C01/2T	105	2820-SR2001M-AM	169	334-15/X2C3-1TVA	126
19-337/R6GHBHC-A01/2T	105	2820-SR3501H-AM	169	334-15/X2C5-1PSB	126
19-C47/RSGHBHC-5V01/2T	117	2820-UR2001M-AM	169	336SURSYGW/S530-A3	125
204-10SDRD/S530-A3	119	2820-UR3501H-AM	169	336SYGSYGD/S530-E2	125
204-10SUBC/S400-A4	119	2820-UY2001M-AM	169	336UYSYGW/S530-A3	125
204-10SUBD/S400-A4	119	2820-UY3501H-AM	169	339-1SURSYGW/S530-A3	126
204-10SUGC/S400-A5	119	28-21SDRC/S530-A3/TR8	116	339-1UYSYGW/S530-A3	126
204-10SURD/S530-A3	119	28-21SYGC/S530-E3/TR8	116	339-9SUGSURSUBW/S1182/MS	160
204-10SURD/S530-A3-L	119	28-21UYC/S530-A3/TR8	116	3474BABR/MS	157
204-10SURT/S530-A3	119	3011-C70201H-AM	166	3474BAGR/MS	157
204-10SYGC/S530-E2	119	3011-PYG0201H-AM	166	3474BARR/MS	157
204-10SYGD/S530-E3	119	3011-SR0201H-AM	166	3474BFBR/MS	157
204-10UYD/S530-A3	119	3011-UB0201H-AM	166	3474BFGR/MS	157
204-10UYOC/S530-A3	119	3011-UG0201H-AM	166	3474BFRR/MS	157
204-15/FNC2-2TVA	119	3011-UR0201H-AM	166	3474BKBR/MS	158
204-15UTC/S400-X9	119	3011-UY0201H-AM	166	3474BKGR/MS	158
209-3SURSYGW/S530-A3	120	3014-BUT-SBBBCAK1E-2T8-CS	85	3474BKRR/MS	158
209SDRSYGW/S530-A3	120	313-2SUBC/C470/S400-A4	124	3474DKBR/MS	158

ALPHANUMERIC INDEX

VISIBLE LED

3474DKGR/MS	158
3474DKRR/MS	158
3735-C8PA1510H-AM	168
3735-C8PA2501H-AM	168
3735-SRPA1501H-AM	168
383-2SDRC/S530-A3	127
383-2SUBC/C470/S400-A6	127
383-2SUGC/S400-A4	127
383-2SURC/S400-A6	127
383-2SURC/S530-A3	127

383-2SYGC/S530-E2	127
383-2SYGD/S530-E2	127
383-2USOC/S530-A6	127
383-2UYC/S530-A3	127
414-10SURD/S530-A3	129
414-10UYD/S530-A3	129
4204-10SUBC/C470/S400-X9-L	123
4204-10SURC/S530-A3	123
4204-10SYGC/S530-E4	123
42-21/BHC-AUW/1T	100

42-21A/BHC-ZV1W2N/1T	100
42-21AY2C-ATW/1T	100
42-21SURC/S530-A4/TR8	100
42-21SYGC/S530-E2/TR8	100
42-21UYC/S530-A2/TR8	100
423-2SUBC/S400-X9	129
423-2SURC/S530-A3	129
423-2UYC/S530-A6	129
423-2UYOC/S530-A6	129
48-213/BHC-ZM2P1QY/3C	109

48-213/R6C-AM1N2VY/3C	109
48-213/T2D-AQ2R2QY/3C	109
48-213/T7D-BQ1R2QY/3C	109
484-10SURT/S530-A3	121
484-10SYGT/S530-E2	121
484-10UYOC/S530-A3	121
484-10UYT/S530-A3	121
494-10SURT/S530-A3	121
494-10SYGT/S530-E2	121
494SUBC/C470/S400-A4	121

50-217S/KKE-B303032Z6/SZM/2T	60
50-217S/KKE-B353032Z6/SZM/2T	60
50-217S/KKE-B403232Z6/SZM/2T	60
50-217S/KKE-B433232Z6/SZM/2T	60
50-217S/KKE-B503232Z6/SZM/2T	60
50-217S/KKE-B633232Z6/SZM/2T	60
50-217S/KKE-B653232Z6/SZM/2T	60
50-217ST/KK5C-H275534Z15/2T	60
50-217ST/KK5C-H306034Z15/2T	60
50-217ST/KK5C-H406534Z15/2T	60

50-217ST/KK5C-H506534Z15/2T	60
50-217ST/KK5C-H576534Z15/2T	60
50-217ST/KK5C-H656534Z15/2T	60
513SURD/S530-A3	130
513SYGD/S530-E2	130
513UYD/S530-A3	130
519-1SURSYGW/S530-A3	130
523-2SDRD/S530-A3	130
523-2SUBD/C470/S400-A6	130
523-2SUGD/S400-A6	130

523-2SURD/S530-A3	130
523-2UYD/S530-A3	130
523SYGD/S530-E2	130
523UYD/S530-A3	130
5484BN/BADC-AGJA/P/MS	159
5484BN/GADC-AMNA/P/MS	159
5484BN/R7DC-AHJB/P/MS	159
57-11-C70200H-AM	163
57-11-IB0100L-AM	163
57-11-SB0100L-AM	163

57-11-UB0200H-AM	163
57-11UTC/S827-1/TR8	89
57-21/R6C-APIQ2B/BF	89
57-21SYGC/S530-E3/TR8	89
57-21-UR0200H-AM	163
57-21-UY0200H-AM	163
583SURD/S530-A3	129
583SYGD/S530-E2	129
583UYD/S530-A3	129
594SURD/S530-A3	131

594SYGD/S530-E2	131
594UYD/S530-A3	131
61-236-ICRQHGRBYC-A05-ET-CS	118
62-117D-G80650H-AM	164
62-127ET/KKX-M2727X5Y12529U6/2T	62
62-127ET/KKX-M3030X6Y22529U6/2T	62
62-127ET/KKX-M3535X6Y22529U6/2T	62
62-127ET/KKX-M4040X8Y42529U6/2T	62
62-127ET/KKX-M5050X8Y42529U6/2T	62
62-127ET/KKX-M5757X8Y42529U6/2T	62

62-127ET/KKX-M6565X8Y42529U6/2T	62
62-227ET/RK6C-M2727R3R52731Z15/2T	62
62-227ET/RK6C-M3030R4R52731Z15/2T	62
62-227ET/RK6C-M3535R4R52731Z15/2T	62
62-227ET/RK6C-M4040R4R52731Z15/2T	62
62-227ET/RK6C-M5050R5R62731Z15/2T	62
6324/F1C9-1LNA	128
6324-15SUBC/S400-X10	128
6324-15SUGC/S400-A6	128
6324-15SURC/S400-A9	128

6324-15UYC/S530-A6	128
65-11/BHC-AR1S2B2/2T	84
65-11/T2C-FV1W2E/2T	84
65-11-C70200H-AM	161
65-11-IB0100L-AM	161
65-11-SB0100L-AM	161
65-11-UB0200L-AM	161
65-11-UG0200H-AM	161
65-21/BHC-FS/T1B14/2T	84
65-21/G6C-AN2Q1/3T	84

65-21/R6C-AQ1R2B/2T	84
65-21/Y2SC-AR1S2B/2T	84
65-21-UR0200H-AM	161
65-21-UY0200H-AM	161
67-11/BHC-FQ2S1F/2T	85
67-11/W1C-ES1T2N/2T	85
67-11/W1C-FV1W2F/2T	85
67-11-C70100H-AM	162
67-11-C70200H-AM	162
67-11-IB0100L-AM	162

67-11-SB0100L-AM	162
67-11S-G81000H-AM	164
67-11-UB0200H-AM	162
67-11-UG0200H-AM	162
67-135-BYGRRTNW-M101520-2T8-CS	88
67-21/B7C-AS2U1N/2T	86
67-21/BHC-FQ1R2F/2T	86
67-21/GBC-YV2W2N/2T	86
67-21/GHC-AS2U1B17Z/2T	86
67-21/GHC-BV1/2T	86

67-21/R6C-AP2R1B/2T	86
67-21/R6C-FN2Q1BZ/2T	86
67-21/R6C-FR21B/2T	86
67-21/R6C-FS1U1B/2T	86
67-21/RSC-FT2V1B/2T	86
67-21/S2C-AQ2S1B/2T	86
67-21/S2C-FQ2R2B/2T	86
67-21/T2C-ZV1W2E/2T	86
67-21/Y2C-BR21B/2T	86
67-21/YSC-FU1V2B/2T	86

67-21S/B3C-D4555D5D72936Z6/2T	52
67-21S/DRK-P4060C4D12834Z15/2T(TJB)	68
67-21S/NB3C-D6575B8L52936Z15/2T	53
67-21S/NDR2C-P5080B2C12029Z6/2T	52
67-21S/NDR3C-P5080C1C51827Z15/2T	53
67-21S/NFR2C-P2050A3B21522Z6/2T	52
67-21S/NG3C-D2035N3PB2936Z15/2T	53
67-21S/NY3C-D9000L2L81828Z15/2T	53
67-21S/R2C-D2030B8L31926Z6/2T	52
67-21S/Y2C-D8595B7L32128Z6/2T	52

67-21ST/KK6C-H277096Z6/2T	54
67-21ST/KK6C-H307396Z6/2T	54
67-21ST/KK6C-H407696Z6/2T	54
67-21ST/KK6C-H507696Z6/2T	54
67-21ST/KK6C-H57696Z6/2T	54
67-21ST/KK6C-H657696Z6/2T	54
67-21-UR0200H-AM	162
67-21-UY0200H-AM	162
67-22/R6BHC-B07/2T	83
67-22/R6G6C-B09/2T	83

67-22/R6Y2C-B31/2T	83
67-22ST/KKE-N2710368Z15/SZM/2T	55
67-22ST/KKE-N2765200Z3/SZM/2T	54
67-22ST/KKE-N3010768Z15/SZM/2T	55
67-22ST/KKE-N3085200Z3/SZM/2T	54
67-22ST/KKE-N4011568Z15/SZM/2T	55
67-22ST/KKE-N4070200Z3/SZM/2T	54
67-22ST/KKE-N5011568Z15/SZM/2T	55
67-22ST/KKE-N5070200Z3/SZM/2T	54
67-22ST/KKE-N5711568Z15/SZM/2T	55

67-22ST/KKE-N6511568Z15/SZM/2T	55
67-22ST/KKE-N6570200Z3/SZM/2T	54
67-22ST/KKX-N277530Z15/2T	53
67-22ST/KKX-N308030Z15/2T	53
67-22ST/KKX-N358030Z15/2T	53
67-22ST/KKX-N408530Z15/2T	53
67-22ST/KKX-N508530Z15/2T	53
67-22ST/KKX-N578530Z15/2T	53
67-22ST/NFR3C-P2050C1C41827Z15/2T	53
67-22UYSYGC/S530-A5/TR8	83

67-23/R6GHBHC-B05/2T	82
67-235-BJRQGCC-A01E-2T8-CS	82
67-23-RSHGRBYC-M050505-ET1-CS	88
67-23S/KK9C-H272930Z6/2T	52
67-23S/KK9C-H303130Z6/2T	52
67-23S/KK9C-H403430Z6/2T	52
67-23S/KK9C-H503430Z6/2T	52
67-23S/KK9C-H573430Z6/2T	52
67-23S/KK9C-H653430Z6/2T	52
67-23SDRSYGUBC/TR8	82
67-23ST/KKE-N27120550Z2/SZM/2T	57
67-23ST/KKE-N2713596Z10/2T	55
67-23ST/KKE-N30125550Z2/SZM/2T	57
67-23ST/KKE-N3014096Z10/2T	55
67-23ST/KKE-N40130550Z2/SZM/2T	57
67-23ST/KKE-N4014596Z10/2T	55
67-23ST/KKE-N50130550Z2/SZM/2T	57
67-23ST/KKE-N5014596Z10/2T	55
67-23ST/KKE-N5714596Z10/2T	55
67-23ST/KKE-N65130550Z2/SZM/2T	57
67-23ST/KKE-N6514596Z10/2T	55
67-24ST/KKE-N20100190Z5/SZM/2T	56
67-24ST/KKE-N20100380J2/SZM/2T	57
67-24ST/KKE-N22105380J2/SZM/2T	57
67-24ST/KKE-N22110190Z5/SZM/2T	56
67-24ST/KKE-N27120380J2/SZM/2T	57
67-24ST/KKE-N27125190Z5/SZM/2T	56
67-24ST/KKE-N27130130Z8/SZM/2T	56
67-24ST/KKE-N30125380J2/SZM/2T	57
67-24ST/KKE-N30130190Z5/SZM/2T	56
67-24ST/KKE-N30135130Z8/SZM/2T	56
67-24ST/KKE-N35130190Z5/SZM/2T	56
67-24ST/KKE-N35135130Z8/SZM/2T	56
67-24ST/KKE-N40130380J2/SZM/2T	57
67-24ST/KKE-N40135190Z5/SZM/2T	56
67-24ST/KKE-N40140130Z8/SZM/2T	56
67-24ST/KKE-N50130380J2/SZM/2T	57
67-24ST/KKE-N50135190Z5/SZM/2T	56
67-24ST/KKE-N50140130Z8/SZM/2T	56
67-24ST/KKE-N65130380J2/SZM/2T	57
67-24ST/KKE-N65135190Z5/SZM/2T	56
67-24ST/KKE-N65140130Z8/SZM/2T	56
67-31A/B7C-AT1U2MZ3/2T	87
67-31A/GHC-YV1W2EZ3/2T	87
67-31A/SAC-AW1X2B9Z5/2T	87
67-31E/RSC-AV1W2B9Z5/2T	87
67-41-C70301H-AM	163
67-41-PA0600H-AM	163
67-41-SR0501H-AM	163
67-41-UR0501H-AM	163
67-41-UJ0501H-AM	163
67-63-RGB0201H-AM	164
7343/B1C2-APSA/MS	160
7343/R5C2-ASUB/MS	160
7343/Y5C2-ASUB/MS	160
7343-2SUGD/S400-X6	128
7343-2SURD/S530-A3	128
7343-2USOC/S530-A3	128
7343M/BAC3-ATVA/C5	128
7344/V7C2-ASVA/MS	160

7344-15SUBC/C470/S400-A6	128
7344-15SUGC/S400-A5	128
7344-15SUGC/S400-X6	128
7383/BAC3-ANQA/MS	160
7383/G1C3-ATVA/MS	160
7383/R7C3-ARUB/MS	160
7383/V7C3-ARTA/MS	160
7383/Y7C3-ARUB/MS	160
91-21SUGC/S400-A4/TR7	116
91-21SURC/S530-A6/TR7	116
91-21SYGC/S530-E4/TR7	116
91-21UYC/S530-A6/TR7	116
93-22SURSYGC/S530-A3/TR8	83
95-21SURC/S530-A6/TR7	116
95-21SYGC/S530-E3/TR9	116
95-21UYC/S530-A5/TR7	116
A09K-C71501H-AM	167
A09K-PA1501H-AM	167
A09K-SR1501H-AM	167
A09K-UR1501H-AM	167
A09K-UY1501H-AM	167
A1394B/3SUR/S530-A3	133
A1394B/3SYG/S530-E2	133
A1479-1B/SURSYGW/S530-A3	135
A1844B/4SYG/S530-E2	134
A203B/SUR/S530-A3	134
A203B/SYG/S530-E2	134
A203B/UY/S530-A3	134
A214B/SUG/S400-X6	132
A214B/UY/S530-A3	132
A253B/SUBC/S400-A6	135
A253B/SYG/S530-E2	135
A264B/SUB/S400-A4	132
A264B/SUR/S530-A3	132
A264B/SYG/S530-E2	132
A264B/UY/S530-A3	132
A274B/SYG/S530-E2	132
A694B/2SUR/S530-A3	133
A694B/2SYG/S530-E2	133
A694B/2UY/S530-A3	133
A694B/SURSYG/S530-A3	133
A694B/SYGUY/S530-A3	133
A93B/SUB/S400-A6	135
A93B/SUR/S530-A3	135
A93B/SYG/S530-E2	135
A93B/UY/S530-A3	135
ALFS1BD-C010001L1-AM	170
ALFS1E-C07001H-AM	171
ALFS1E-PA7001H-AM	171
ALFS1G-C010001H-AM	171
ALFS1G-PA10001H-AM	171
ALFS2BD-C010001H-AM	170
ALFS2BD-C0PA07001L1-AM	170
ALFS2G-C010001H-AM	171
ALFS3BD-C010001H-AM	170
B1001SDRWB/S530-A3	147
B1001SURWB/S530-A3	147
B1001SYGWA/S530-E2	147
B1001UBWA/C470	147
B1001USOWA/S530-A4	147

B1001UYWA/S530-A3	147
B1010SURD/S530-A3	147
B1010SYGD/S530-E2	147
B1010UYD/S530-A3	147
BL-2016NN1T	179
BL-2604DN1P	177
BL-2835SN1T	179
BL-3003LM2C	177
BL-3004TN1P	176
BL-3006NN1P	176
BL-3030GN2E	172
BL-3804GN1P	176
BL-3806NN1P	175
BL-3808Z1P	175
BL-4010NN1T	172
BL-4012NN1T	173
BL-4014Z1T	173
BL-4206SN2P	175
BL-7016NZ2T	174
BL-7020NZ1T	174
BLA-2810NZ1T	178
BLA-3014PZ1U	178
BLA-4014PZ1E	178
C4516SDWN3S1-RGBC0120-2H	118
CH1210E-C80401H-AM	165
CH1210E-N80401H-AM	165
CH1210E-PA0801H-AM	165
CH1210E-PR0801H-AM	165
CH1216-C8W80801H-AM	165
CH2525-RGBY0401H-AM	167
CH3535E-SR3501H-AM	169
CH3535E-UR3501L-AM	169
D305SDRWB/S530-A3	138
D305SURWA/S530-A3	138
D305SYGWA/E2/S660	138
D306SURWA/S530-A3	138
D306USOWA/S530-A3	138
D306UYWA/S530-A3	138
D425SDRWA/S530-A4	139
D425SDRWB/A3/S660	139
D425SURWA/S530-A3	139
D425SYGWA/S530-E2	139
D425USOWA/S530-A4	139
D426SURWB/S530-A3	139
D426SURWA/S530-A3	139
D426SYGWA/S530-E2	139
D426SYGWA/S530-E2	139
D426USOWA/S530-A3	139
D426UYOWB/S530-A3	139
D426UYOWB/S530-A3	139
D511SDRWB/A3/S982	140
D511SURWB/S530-A3	140
D511SYGWA/S530-E2	140
D511SYGWB/S530-E2	140
D511UBWA/C470	140
D511USOWA/S530-A4	140
D511UTWA/T5/S700/S1025	140
D512SDRWB/S530-A3	140
D512SURWB/S530-A3	140
D512SYGWB/E2/S962	140

ALPHANUMERIC INDEX

VISIBLE LED

D515SURWA/S530-A3	141	ELUA2835TG0-P9000R53040060-VA1D	70	FN111CF13DP-B192515252839E-3T	80
D525SURWA/S530-A3	141	ELUA2835TG0-P9000SC13040150-VA1D	70	FN1414BF14EP-D354523282839E-3T	80
D525SYGWA/S530-E2	141	ELUA3535NU3-P0010U736481K0-V41G	72	FN1414BF14EP-B20520352839E-3T	80
D525USOWA/S530-A3	141	ELUA3535NU3-P6070U23648700-V41G	72	FN1414BF14EP-B506026402839E-3T	80
D526SURWA/S530-A3	141	ELUA3535NU3-P8090U736481K0-V41G	72	FN1414BF14EP-F405028352839E-3T	80
D526USOWA/S530-A4	141	ELUA3535NU3-P9000U736481K0-V41G	72	FP1610JF13SA-J4555061127392-2T	78
ELSW-E91B1-OLPNM-CB7B8	67	ELUA3535NU6-P0010U736481K0-V41G	72	FP2016EF13SA-B506025402839E-2T	77
ELSW-F11B1-OLPNM-CB8B9	67	ELUA3535NU6-P6070U23648700-V41G	72	FP2216FF13LA-B506028382839E-2T	77
ELSW-F21B1-OLPNM-CBABB	67	ELUA3535NU6-P8090U736481K0-V41G	72	G67-12S/G2C-D1525L4L82934Z6/2T	52
ELSW-F61R1-OPPNM-AR5R6	67	ELUA3535NU6-P9000U736481K0-V41G	72	G67-21S/R3C-D1530L6M41829Z15/2T	53
ELSW-F61Y1-0EPNM-AA3A6	67	ELUA3535OG5-P0010U23240500-VD1M	71	GXI3030P/KK6C-M2020V4X026292U6/2T	58
ELSW-F91O1-0EPNM-AR3R4	67	ELUA3535OG5-P6070U13240500-VD1M	71	GXI3030P/KK6C-M2727X2X826292U6/2T	58
ELSWF-J61M1-6FPGS-C2700	64	ELUA3535OG5-P8090U23240500-VD1M	71	GXI3030P/KK6C-M3030X3X926292U6/2T	58
ELSWF-J61M1-6FPGS-C2700	64	ELUA3535OG5-P9000U23240500-VD1M	71	GXI3030P/KK6C-M3535X3X926292U6/2T	58
ELSWF-J61M1-6FPGS-C2700	65	ELUA3535OGB-P0010U23240500-VD1M	71	GXI3030P/KK6C-M5050X5Y126292U6/2T	58
ELSWF-J61M1-6FPGS-C3000	64	ELUA3535OGB-P6070U23240500-VD1M	71	GXI3030P/KK6C-M6262X4Y026292U6/2T	58
ELSWF-J61M1-6FPGS-C3000	64	ELUA3535OGB-P8090U23240500-VD1M	71	GXI3030P/KK6C-M6565X4Y026292U6/2T	58
ELSWF-J61M1-6FPGS-C3000	65	ELUA3535OGB-P9000U23240500-VD1M	71	HNB1515W-OS12	154
ELSWF-J61M1-6FPGS-C3500	64	ELUA4545OG3-P0010U23241500-VD1M	73	HNA2121W-IS01	155
ELSWF-J61M1-6FPGS-C3500	64	ELUA4545OG3-P6070U13241500-VD1M	73	HNB1921W-OS01	155
ELSWF-J61M1-6FPGS-C3500	65	ELUA4545OG3-P8090U23241500-VD1M	73	HNB2727W-OS01	154
ELSWF-J71N1-6FPGS-C4000	64	ELUA4545OG3-P9000U23241500-VD1M	73	HPNS3535CZ0112- NDR457570S1X24700- 4H	68
ELSWF-J71N1-6FPGS-C4000	64	ELUC3535NUB-P07085Q47090300-F23D	74	M2881SURWA/S530-A3	146
ELSWF-J71N1-6FPGS-C4000	65	ELUC3535NUB-P7085Q05075020-S41Q	74	M2881SYGWA/S530-E2	146
ELSWF-JJ1C1-6FPGS-C5000	64	ELUC3535NUB-P7085Q15070100-S22Q	74	M2881UYWA/S530-A3	146
ELSWF-JJ1C1-6FPGS-C5000	64	ELYU03-5060J5J7294310-N0	81	M2882SYGWA/S530-E2	146
ELSWF-JJ1C1-6FPGS-C5000	65	ELYU03-5070J5J7294310-N0	81	S1006SDRDB/A3/S660	136
ELSWF-JJ1C1-6FPGS-C5700	64	F415SURWA/S530-A3	144	S1006SURWA/S530-A3	136
ELSWF-JJ1C1-6FPGS-C5700	64	F415SURWB/S530-A3	144	S1006SYGWA/S530-E2	136
ELSWF-JJ1C1-6FPGS-C5700	65	F415UYOWB/S530-A3/S715	144	S2326SURWA/S530-A3	136
ELSWF-JJ1C1-6FPGS-C6500	64	F416SURWA/S530-A3	144	S2326SYGWA/S530-E2	136
ELSWF-JJ1C1-6FPGS-C6500	64	F416SURWB/S530-A3	144	S2326UBWA/C470	136
ELSWF-JJ1C1-6FPGS-C6500	65	F416SYGWA/S530-E3	144	S2326USOWA/S530-A4	136
ELSWF-R61L1-6FPNM-CB4B6	66	F416SURWA/S530-A3	144	S315SURWA/S530-A3	136
ELSWF-S41L2-6FPNM-DB4B6	66	F416UYWB/S530-A3/P53	144	S315SYGWA/S530-E2	136
ELSW-J31G1-OLPNM-CG1G2	67	F511SDRWB/S530-A3	145	S321SURWA/S530-A3	137
ELSW-J31G1-OLPNM-CG2G3	67	F511SURWA/S530-A3	145	S321USOWA/S530-A4	137
ELSWNS-S11E1-6VPNM-AD308	66	F511SURWB/S530-A3	145	S322SURWA/S530-A3	137
ELSW-Q91E1-OLPNM-AD3D8	66	F511SYGWA/S530-E2	145	S322SYGWA/S530-E2	137
ELSW-R21E1-0EPNM-AD3D8(OR)	66	F512SDRWB/S530-A3	145	SD405SDRWB/S530-A3/S968	151
ELUA2016OGB-P0010Q53040020-VA1M	69	F512SUBWB/X9/S800	145	SD405SURWA/S530-A3/S290	151
ELUA2016OGB-P0010R53040060-V21M	69	F512SURWA/S530-A3	145	SD405SYGWA/S530-E2	151
ELUA2016OGB-P0010T73240500-VD1M	69	F512SYGWA/S530-E2	145	SD406SURWA/S530-A4/S290	151
ELUA2016OGB-P6070Q43040020-VA1M	69	FC1414GF13SM-B20520302839E-3T	79	SD406SYGWA/S530-E2/S290	151
ELUA2016OGB-P6070R13040060-V21M	69	FC1414GF13SM-B253020302839E-3T	79	SD406UWWWA/S290	151
ELUA2016OGB-P6070T53240500-VD1M	69	FC1414GF13SM-B506022332839E-3T	79	SD511SYGWA/S530-E2/S290	151
ELUA2016OGB-P8090Q53040020-VA1M	69	FC1414GF1DHP-B506028402839E-2T	79	SF405SURWA/S530-A3/S290	153
ELUA2016OGB-P8090R43040060-V21M	69	FC1610HF13HP-B506024332839E-2T	78	SF405UYOWA/A3/S290	153
ELUA2016OGB-P8090T73240500-VD1M	69	FC1610HF13HP-F405024332839E-2T	78	SF511SURWA/S530-A3/S290	153
ELUA2016OGB-P9000Q53040020-VA1M	69	FC1610JF13HP-B455524352839E-2T	78	SF511SYGWA/S530-E2/S796	153
ELUA2016OGB-P9000R53040060-V21M	69	FC1717GF15HP-F405033452839E-2T	81	SF512SURWA/S530-A3/S290	153
ELUA2016OGB-P9000T73240500-VD1M	69	FC1717GF15HP-F506033452839E-2T	81	SF512SYGWA/S530-E2/S290	153
ELUA2835TG0-P0010Q53040020-VA1D	70	FC2016GF14HP-B506030422839E-2T	76	SS205SUBWA/S400-A3/S669	148
ELUA2835TG0-P0010R53040060-VA1D	70	FC2016GF14MP-B506025362839E-2T	76	SS205SURWA/S530-A3/S290	148
ELUA2835TG0-P6070Q53040020-VA1D	70	FC2016GF14MP-F405025402839E-2T	76	SS205SYGWA/S530-E2/S290	148
ELUA2835TG0-P6070R53040060-VA1D	70	FC2016GF14MP-F506026362839E-2T	76	SS205UYOWA/S530-A3/S290	148
ELUA2835TG0-P6070SC13040150-VA1D	70	FC2016GF1DHP-B506027402839E-2T	76	SS205UYWA/S530-A3/S290	148
ELUA2835TG0-P8090Q53040020-VA1D	70	FC2016GF1DHP-F506025402839E-2T	76	SS206SURWA/S530-A3/S290	148
ELUA2835TG0-P8090R53040060-VA1D	70	FC2016GF1DMP-B506028402839E-2T	76	SS206SYGWA/S530-E2/S290	148
ELUA2835TG0-P9000Q53040020-VA1D	70	FN111CF13EP-B506018282839E-3T	80	SS405SURWA/S530-A3/S290	149

ALPHANUMERIC INDEX

INFRARED LED, SENSORS, COUPLERS

4N25	233	EL0701	241	EL3033	248
4N26	233	EL083L	241	EL3033(P5)	247
4N27	233	EL086L	241	EL3041	248
4N28	233	EL1010-G	231	EL3041(P5)	247
4N29	237	EL1010H-G	231	EL3042	248
4N30	237	EL1012-G	231	EL3042(P5)	247
4N31	237	EL1013-G	231	EL3043	248
4N32	237	EL1014-G	231	EL3043(P5)	247
4N33	237	EL1017-G	231	EL3051	248
4N35	233	EL1018-G	231	EL3051(P5)	247
4N36	233	EL1019-G	231	EL3052	248
4N37	233	EL101L-G	231	EL3052(P5)	247
4N38	233	EL101U-G	231	EL3053	248
6N135	242	EL1110-G	231	EL3053(P5)	247
6N136	242	EL1112-G	231	EL3061	248
6N137	242	EL1113-G	231	EL3061(P5)	247
6N138	243	EL1114-G	231	EL3062	248
6N139	243	EL1116-G	231	EL3062(P5)	247
ALS-DPIC17-78C/L749/TR8	223	EL1117-G	231	EL3063	248
ALS-PDIC144-6C/L378	222	EL1118-G	231	EL3063(P5)	247
ALS-PDIC15-21C/L230/TR8	220	EL1119-G	231	EL3081	248
ALS-PDIC17-51B/L758/TR8	220	EL121N	229	EL3081(P5)	247
ALS-PDIC17-55C/TR8	220	EL205	230	EL3082	248
ALS-PDIC17-77B/TR8	221	EL206	230	EL3082(P5)	247
ALS-PDIC17-77C/TR8	221	EL207	230	EL3083	248
ALS-PDIC243-3B	223	EL208	230	EL3083(P5)	247
ALS-PDIC243-3B/L716	223	EL211	230	EL3120	253
ALS-PDT144-6C/L451	222	EL212	230	EL3140	253
ALS-PDT243-3C/L451	222	EL213	230	EL3150	253
ALS-PT19-315C/L177/TR8	221	EL215	230	EL354N-G	228
APM-16D24-310-DF8/TR8	224	EL216	230	EL357N-G	229
APM-16D24-U6E-DF8/TR8	224	EL217	230	EL357NH-G	229
BR15-22C/L586/R/TR8	193	EL2200	243	EL357NL-G	229
CLS15-22C/L213B/TR8	226	EL2201	243	EL357NU-G	229
CLS15-22C/L213G/TR8	226	EL2202	243	EL3H4-G	227
CLS15-22C/L213R/TR8	226	EL2514-G	232	EL3H7-G	227
CLS-16D24-44-DF8/TR8	225	EL2530	242	EL3H7H-G	227
CNY17-1	233	EL2531	242	EL3H7L-G	227
CNY17-2	233	EL2601	242	EL3H7U-G	227
CNY17-3	233	EL260L	242	EL406A	251
CNY17F-1	233	EL2611	242	EL425A	251
CNY17F-2	233	EL2630	242	EL440A	251
CNY17F-3	233	EL2631	242	EL4502	242
CNY17F-4	233	EL3010	248	EL4503	242
CNY64	235	EL3010(P5)	247	EL4504	242
CNY64S	235	EL3011	248	EL452-G	236
CNY65	235	EL3011(P5)	247	EL460A	251
EL0452	240	EL3012	248	EL606A	251
EL0453	240	EL3012(P5)	247	EL606A3	251
EL0500	240	EL3020	248	EL625A	251
EL0501	240	EL3021	248	EL640A	251
EL050L	240	EL3021(P5)	247	EL660A	251
EL0530	240	EL3022	248	EL814	232
EL0531	240	EL3022(P5)	247	EL815	236
EL0601	241	EL3023	248	EL816	232
EL060L	241	EL3023(P5)	247	EL8171	232
EL0611	241	EL3031	248	EL817-G	232
EL0630	241	EL3031(P5)	247	EL817H-G	232
EL0631	241	EL3032	248	EL817L-G	232
EL0700	241	EL3032(P5)	247	EL825	237

EL827	234	ELT3042	246	IR204/H60	184
EL840A	252	ELT3043	246	IR204-A	184
EL847	234	ELT3051	246	IR204C/H16/L10	184
EL851	232	ELT3052	246	IR204C-A	184
EL852	236	ELT3053	246	IR25-21C/TR8	187
EL860A	252	ELT3061	246	IR26-21C/L110/TR8	187
ELD205	230	ELT3062	246	IR26-21C/L447/CT	191
ELD206	230	ELT3063	246	IR26-51C/L110/TR8	187
ELD207	230	ELT3081	246	IR26-61C/L510/R/2G	192
ELD211	230	ELT3082	246	IR26-61C/L746/R/TR8	185
ELD213	230	ELT3083	246	IR26-71C/L447/S63/TR8	192
ELD217	230	ELW135	244	IR26-91C/L510/2D	192
ELM3022	245	ELW136	244	IR29-01C/L510/R/TR8	191
ELM3023	245	ELW137	244	IR333/H0	182
ELM3024	245	ELW2601	244	IR333/H0/L10	182
ELM3042	245	ELW2611	244	IR333-A	182
ELM3043	245	ELW3120	253	IR333C	182
ELM3044	245	ELW4503	244	IR333C/H0/L10	182
ELM3052	245	H11A1	233	IR333C/H2	182
ELM3053	245	H11A2	233	IR3494-30C/H80/L419	184
ELM3054	245	H11A3	233	IR383	183
ELM3062	245	H11A4	233	IR42-21C/TR8	188
ELM3063	245	H11A5	233	IR533C	183
ELM3064	245	H11AA1	233	IR67-21C/TR8	189
ELM3082	245	H11AA2	233	IR7373C	182
ELM3083	245	H11AA3	233	IR7393C	183
ELM3084	245	H11AA4	233	IR8353-14C	183
ELM440A	250	H11B1	237	IR908-7C-F	194
ELM452	238	H11B2	237	IR91-01C/L491/2R	190
ELM453	238	H11B255	237	IR91-21C	188
ELM453H	238	H11B3	237	IR91-21C/TR10	188
ELM453L	238	H11L1	238	IR91-21C/TR7	188
ELM456	238	H11L2	238	IR928-6C-F	194
ELM460A	250	H11L3	238	IR95-21C/TR7	188
ELM600	239	HIR11-21C/L11/TR8	185	IR968-8C	194
ELM601	239	HIR19-21C/L11/TR8	186	IRM-35xxJ15	209
ELM611	239	HIR204C	184	IRM-35xxT	209
ELM611H	239	HIR204C/H0	184	IRM-36xxJ11	209
ELM80L	239	HIR234C	184	IRM-36xxJ14	209
ELM81L	239	HIR25-21C/L289/2T	193	IRM-36xxJ15	209
ELM840A	250	HIR25-21C/L423/TR8	193	IRM-36xxJ2	209
ELQ3H4-G	228	HIR26-21C/L289/TR8	191	IRM-36xxJ7	209
ELQ3H7-G	228	HIR26-21C/L423/TR8	191	IRM-36xxJ8	209
ELR0213	249	HIR333/H0	182	IRM-36xxJ9	209
ELR0223	249	HIR333C/H0	182	IRM-36xxJF	209
ELR1213	249	HIR67-21C/L11/TR8	189	IRM-36xxM3	209
ELR1223	249	HIR7373C	182	IRM-36xxT	209
ELR2213	249	HIR7393C	183	IRM-37xxJ9	210
ELR2223	249	HIR83-01B/TR8	189	IRM-37xxT	210
ELR3213	249	HIR-C19D-1N150/L649-P03/TR	195	IRM-66xxM3	210
ELR3223	249	HIR-C19D-1N90/L649-P03/TR	195	IRM-66xxT	210
ELS3120	252	IR11-21C/L491/TR8	185	IRM-8601J10	210
ELS3150	252	IR11-21C/TR8	185	IRM-8601JF	210
ELS511	240	IR12-21C/TR8	185	IRM-8601M2	210
ELS611	240	IR15-21C/TR8	186	IRM-H2xxJ2/TR2	211
ELS680	240	IR16-213C/L510/TR8	193	IRM-H2xxT/TR2	211
ELT3021	246	IR17-21C/TR8	186	IRM-H3xxJ14/TR2	211
ELT3022	246	IR19-21C/TR8	186	IRM-H3xxM3/TR2	211
ELT3023	246	IR19-315C/TR8	189	IRM-H5xxJ15/TR2	211
ELT3041	246	IR204/H16/L10	184	IRM-H5xxM3/TR2	211

ALPHANUMERIC INDEX

INFRARED LED, SENSORS, COUPLERS

IRM-H5xxT/TR2	211	IPLR137	214	
IRM-H6xxJ15/TR2	212	PLR162	215	
IRM-H6xxJ7/TR2	212	PLT232/L5	214	
IRM-H6xxT/TR2	212	PLT237	214	
IRM-H8xxJ14-C/TR2	212	PT11-21C/L41/TR8	205	
IRM-H8xxJ15-C/TR2	212	PT12-21B/TR8	205	
IRM-H9xxJ15/TR2	212	PT12-21C/TR8	205	
IRM-H9xxM3/TR2	212	PT1504-6B	204	
IRM-H9xxT/TR2	212	PT15-21B/TR8	205	
IRM-V5xxJ14/TR1	213	PT15-21C/TR8	205	
IRM-V5xxJ15/TR1	213	PT17-21B/L41/TR8	206	
IRM-V5xxM3/TR1	213	PT17-21C/L41/TR8	206	
IRM-V5xxT/TR1	213	PT19-21B/L41/TR8	206	
IRM-V8xxJ14-C/TR1	213	PT19-21C/L41/TR8	206	
IRM-V8xxJ15-C/TR1	213	PT204-6B	202	
IRR15-22C/L491/TR8	193	PT204-6C	202	
IRR60-48C/L661/TR8	190	PT2559B/L2/H2-F	201	
IRR60-48C/TR8	190	PT2559B/L2-F	201	
IRRG25-16C/L491/TR8	191	PT26-21B/TR8	206	
IR-S06-P120/L741-P03/TR	195	PT26-21C/TR8	206	
ITR1502SR40A/TR8	219	PT26-51B/TR8	207	
ITR20001/T	218	PT333-3B	203	
ITR20002	219	PT333-3C	202	
ITR20403	216	PT334-6B	203	
ITR8102	216	PT334-6C	203	
ITR8104	216	PT42-21B/TR8	207	
ITR8307/F43	218	PT534-6B	204	
ITR8307/L24/F43	218	PT67-21B/C14/TR8	207	
ITR8307/L24/TR8	219	PT67-21C/L41/TR8	208	
ITR8307/TR8	219	PT908-7B-F	201	
ITR8402-F-A	217	PT908-7C-F	201	
ITR9606-F	217	PT91-21B	208	
ITR9707	217	PT91-21B/TR10	208	
ITR9909	218	PT91-21B/TR7	208	
PD15-21B/TR8	199	PT91-21B/TR9	208	
PD15-22C/TR8	199	PT91-21C	208	
PD204-6B	197	PT91-21C/TR10	208	
PD204-6B/L3	197	PT91-21C/TR7	208	
PD204-6C	197	PT928-6B-F	201	
PD204-6C/L3	197	PT928-6C-F	201	
PD333-3B/H0/L2	198	SIR12-21C/TR8	185	
PD333-3B/L1	198	SIR19-21C/TR8	186	
PD333-3B/L2	198	SIR19-315/TR8	189	
PD333-3B/L3	198	SIR204-A	184	
PD333-3B/L4	198	SIR204C	184	
PD333-3C/H0/L2	197	SIR234	184	
PD333-3C/H0/L811	197	SIR333-A	182	
PD333-3C/L793	197	SIR383C	183	
PD42-21B/TR8	199	SIR67-21C/TR8	189	
PD42-21C/TR8	199	TIL113	237	
PD438B	196			
PD438B/S46	196			
PD438C	196			
PD438C/S46	196			
PD638B	196			
PD70-01B/TR10	200			
PD70-01B/TR7	200			
PD70-01C/TR10	200			
PD70-01C/TR7	200			
PD95-21B/TR10	200			

[Redacted text block 1]

[Redacted text block 2]

[Redacted text block 3]

[Redacted text block 4]

[Redacted text block 5]

[Redacted text block 6]

[Redacted text block 7]

[Redacted text block 8]

[Redacted text block 9]

[Redacted text block 10]

[Redacted text block 11]

[Redacted text block 12]

[Redacted text block 13]

[Redacted text block 14]

[Redacted text block 15]

[Redacted text block 16]

[Redacted text block 17]

[Redacted text block 18]

CONDITIONS OF RoHS

From July 1st, 2006, RoHS requires that all electrical equipment should not contain lead, mercury, cadmium, hexavalent chromium, polybrominated biphenyls (PBBs) or poly brominated diphenyl ethers (PBDEs), and the elements are restricted to certain amount (such as mercury in a wound lighting tube <5 mg, lead in CRT glass, soldering tin, etc.). Before the date every member of European Union must obey of environment on chemical regulation.



- According to RoHS part, the norm of restrict and limit used substance adopted by EVERLIGHT.

Name	Description	Criteria
Cadmium	Cadmium and its compounds must not be present in parts, components, materials or products. Cadmium and its compounds must not used as stabilizers, coloring agent or as a surface coating treatment in parts, components, materials or products.	< 5 ppm (Plastics) < 75 ppm (Metals)
Lead restrictions	Lead and/or lead compounds shall not be present in hardware components or parts, however, except solder, electrical components and interconnect materials. Lead carbonates and sulfates must not be used in any paint applied to parts, component, or products.	< 100 ppm (Plastics) < 1000 ppm (Others)
Mercury restrictions	Mercury must not be contained in any part, material, components or product, including, but not limited to switches, relays or electrical contacts. This restriction does not apply to lamps with less than 10 mg if mercury.	< 5 ppm
Hexavalent chromium (chromium VI) and hexavalent chromium compounds	Hexavalent chromium (chromium VI) and hexavalent chromium compounds must not be present in parts, components, materials or products.	< 2 ppm
Polybrominated Biphenyls (PBBs)	Plastics parts, pomponents, materials and products must not contain Polybrominated Biphenyls as flame retardants, specific PBBs, but are not limited to those listed in attachment item.	< 5 ppm
Polybrominated Diphenyl Ethers (PBDEs)	Plastic parts, components, materials and products must not contain Polybrominated Biphenyl Ethers, known as flame retardants, specific PBBEs, including, but are not limited to, those listed in attachment item.	< 5 ppm

Compliant with the following condition :

- Please visit EVERLIGHT website for more updated information about third party test reports and RoHS declarations. (www.everlight.com)

APPLICATION NOTICE

Since we are continuously improving all of our products, the information listed in this Catalogue, which includes specifications, characteristics, data, materials used, structure, etc., are subject to change without prior notice. It is necessary that you request the newest specification sheet from EVERLIGHT when you place any inquiry or purchase order.

Please carefully read the specification sheet, and confirm your acceptance of the content. EVERLIGHT does not accept any liabilities for damages occurred due to the customer's lack of confirming the newest product specification.

It is important to strictly follow the maximum limit and other important instructions listed on the specifications sheet when using EVERLIGHT's products. The following is a list of special notes for products used in specific applications. It is recommended that customers read the instructions carefully before installing the products. Again, EVERLIGHT does not accept any liabilities for any improper use of EVERLIGHT's product or failure to follow the instructions listed herein:

Special Instruction:

1. Products listed in this Catalogue are designed primarily for the application listed below:
A : Calculators
B : Measurement equipment
C : AV machines
D : QA machines
E : Operating machines
F : Consumer electronics
G : Telecommunications

While products meet the application listed above, additional attention is required when products are to be utilized in the instruments listed under Special Instruction Notes 2 and 3.

2. When high reliability and safety concerns are required, it is very important that the design be made to focus on safety and long term reliability. Special care should be given to assure that EVERLIGHT's products integrate and function properly with all other parts of the instrument. Instruments fall into these categories include:

- A : Instruments attached to transportation tools
(aircraft, train, automobile)
- B : Traffic signs
- C : Gas leaking detectors and gas shutters
- D : Fire detectors
- E : Other safety detectors

3. When extremely high reliability and safety concerns are required, it is necessary that you contact EVERLIGHT for additional information before use. Instruments fall into these categories include:

- A : Aerospace instruments
- B : Telecommunication tools (main line)
- C : Nuclear weapon controls
- D : Medical instruments

4. Should you have any additional questions, please contact EVERLIGHT for details.

本資料所記載之製品的規格、特性、DATA、使用原料、構造...等，有時為了改良製品，無法事前通知，而逕行與予變更。因此請務必使用最新的規格書，並請針對內容加以確認。若因未確認規格書，導致使用次製品之機器或其他應用產品發生瑕疵時，敝公司將不負此責任。

使用本資料所記載之製品時，請遵守規格書所記載之絕對最大定格，使用上之注意事項，以及下列之注意點，若因不遵守規格書所記載之絕對最大定格，使用上之注意事項，以及下述之注意點，而導致發生損害問題時，敝公司將不負此責任。

注意項目：

1. 本資料所記載之製品，原則是為了下述之用途而製造出來的產品
A: 電算機
B: OA機器
C: 通信機器
D: 計測機器
E: 工作機器
F: AV機器
G: 家電製品

若雖合乎上述用途，但是屬於下述2或3所記載之機器時，則需遵守個別產品之使用注意事項。

2. 若本資料所記載之製品用於下述講求高信賴性與安全性之用途時，因牽涉到機能與精度方面，為了維持這類機器的信賴性與安全性，請務必注重安全設計與長期性設計，並且需考慮整體機構間的關係，依機器整體之安全設計來使用。

- A: 運送機器(飛機、火車、汽車)與控制安全性等相關之產品
- B: 交通信號機
- C: 瓦斯漏氣檢測關閉機
- D: 防災裝置
- E: 各種安全裝置

3. 若本資料所記載之製品用於下述講求高信賴性與安全性之用途時，因牽涉到機能與精度方面，請事先與敝公司聯絡。

- A: 太空機器(航太儀器)
- B: 通信機器(幹線)
- C: 原子彈控制機器
- D: 醫療機器

4. 涉及上述注意事項之任何一項時，如有疑問，請和敝公司業務人員聯絡。

TECHNICAL DATA

HIGH POWER LED (SHWO 燦, SHWO(N) 燦(N))

CIE BINNING RANKS

Cool-White Bin Coordinates

5000K				
Bin	50K-1	50K-2	50K-3	50K-4
CIE X	0.346	0.338	0.337	0.345
	0.345	0.337	0.337	0.344
	0.353	0.345	0.344	0.352
	0.355	0.346	0.345	0.353
CIE Y	0.369	0.362	0.349	0.356
	0.356	0.349	0.337	0.343
	0.362	0.356	0.343	0.349
	0.376	0.369	0.356	0.362

5700K				
Bin	57K-1	57K-2	57K-3	57K-4
CIE X	0.329	0.321	0.321	0.329
	0.329	0.321	0.322	0.329
	0.337	0.329	0.329	0.337
	0.338	0.329	0.329	0.337
CIE Y	0.354	0.346	0.335	0.342
	0.342	0.335	0.324	0.331
	0.349	0.342	0.331	0.337
	0.362	0.354	0.342	0.349

6500K				
Bin	65K-1	65K-2	65K-3	65K-4
CIE X	0.312	0.303	0.305	0.313
	0.313	0.305	0.307	0.315
	0.321	0.313	0.315	0.322
	0.321	0.312	0.313	0.321
CIE Y	0.339	0.330	0.321	0.329
	0.329	0.321	0.311	0.319
	0.337	0.329	0.319	0.326
	0.348	0.339	0.329	0.337

Warm-White Bin Coordinates

2700K				
Bin	27K-1	27K-2	27K-3	27K-4
CIE X	0.469	0.456	0.447	0.459
	0.459	0.447	0.437	0.448
	0.470	0.459	0.448	0.459
	0.481	0.469	0.459	0.470
CIE Y	0.429	0.426	0.408	0.410
	0.410	0.408	0.389	0.392
	0.413	0.410	0.392	0.394
	0.432	0.429	0.410	0.413

3000K				
Bin	30K-1	30K-2	30K-3	30K-4
CIE X	0.443	0.430	0.422	0.435
	0.435	0.422	0.415	0.426
	0.447	0.435	0.426	0.437
	0.456	0.443	0.435	0.447
CIE Y	0.421	0.417	0.399	0.403
	0.403	0.399	0.381	0.385
	0.408	0.403	0.385	0.389
	0.426	0.421	0.403	0.408

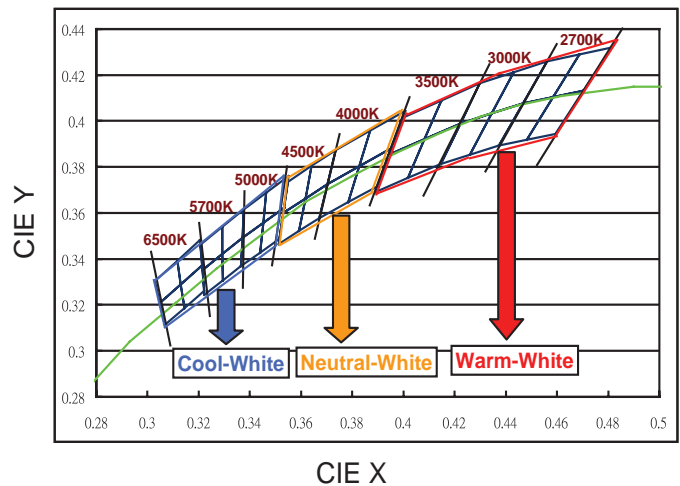
3500K				
Bin	35K-1	35K-2	35K-3	35K-4
CIE X	0.415	0.400	0.394	0.408
	0.408	0.394	0.389	0.402
	0.422	0.408	0.402	0.415
	0.430	0.415	0.408	0.422
CIE Y	0.409	0.402	0.385	0.392
	0.392	0.385	0.369	0.375
	0.399	0.392	0.375	0.381
	0.417	0.409	0.392	0.399

Natural-White Bin Coordinates

4000K				
Bin	40K-1	40K-2	40K-3	40K-4
CIE X	0.387	0.374	0.370	0.383
	0.383	0.370	0.367	0.378
	0.395	0.383	0.378	0.390
	0.401	0.387	0.383	0.395
CIE Y	0.396	0.387	0.373	0.380
	0.380	0.373	0.358	0.365
	0.388	0.380	0.365	0.372
	0.404	0.396	0.380	0.388

4500K				
Bin	45K-1	45K-2	45K-3	45K-4
CIE X	0.364	0.355	0.353	0.362
	0.362	0.353	0.351	0.359
	0.370	0.362	0.359	0.367
	0.374	0.364	0.362	0.370
CIE Y	0.381	0.374	0.360	0.366
	0.366	0.360	0.347	0.352
	0.373	0.366	0.352	0.358
	0.387	0.381	0.366	0.373

White Color Bin Structure



Chromaticity specification defined by ANSI

TECHNICAL DATA

HIGH POWER LED (SHWO 燦, SHWO(N) 燦(N))

BRIGHTNESS BINNING RANKS

Shwo

Brightness (lm)

Luminous Flux Bins

Group	Binning	Minimum Photometric Flux (lm)	Maximum Photometric Flux (lm)
E	1	4	5
	2	5	6
	3	6	8
	4	8	10
	5	10	13
	6	13	17
	7	17	20
	8	20	23
	9	23	27
F	1	27	33
	2	33	39
	3	39	45
	4	45	52
	5	52	60
	6	60	70
	7	70	80
	8	80	90
	9	90	100
J	1	100	110
	2	110	120
	3	120	130
	4	130	140
	5	140	150
	6	150	160
	7	160	180
	8	180	200
	9	200	225
K	1	225	250
	2	250	275
	3	275	300
	4	300	325
	5	325	350
	6	350	375
	7	375	400
	8	400	425
	9	425	450
N	1	450	475
	2	475	500
	3	500	525
	4	525	550

Shwo

Wavelength (nm)

Group	Binning	Minimum Dominant	Maximum Dominant
		Wavelength (nm)	Wavelength (nm)
B Blue/ Royal- Blue	1	430	435
	2	435	440
	3	440	445
	4	445	450
	5	450	455
	6	455	460
	7	460	465
	8	465	470
G Green	1	520	525
	2	525	530
	3	530	535
	4	535	540
	5	540	545
	6	545	550
A Amber	1	580	582.5
	2	582.5	585
	3	585	587.5
	4	587.5	590
	5	590	592.5
	6	592.5	595
R Red	3	610	615
	4	615	620
	5	620	625
	6	625	630
	7	630	635
	1	635	640
	2	640	645
D Deep- Red	3	645	650
	4	650	655
	5	655	660
	6	660	665
	7	665	670
	8	670	675
	1	700	710
	2	710	715
F Far- Red	3	715	720
	4	720	725
	5	725	730
	6	730	735
	7	735	740
	8	740	745

HIGH POWER LED (SHWO_樂, SHWO(N)_{樂(N)})

FORWARD VOLTAGE BINNING RANKS

Shwo

Forward Voltage Bins

Group Name	Bins	
A	U1+U2+U3	
B	U2+U3+U4	
C	V1+V2+V3	
D	V2+V3+V4	
E	V3+V4+V5	
F	V1+V2	
G	V1	
Bin	Minimum Forward Voltage (V)	Maximum Forward Voltage (V)
U1	1.75	2.05
U2	2.05	2.35
U3	2.35	2.65
U4	2.65	2.95
V1	2.95	3.25
V2	3.25	3.55
V3	3.55	3.85
V4	3.85	4.15
V5	4.15	4.45

TECHNICAL DATA

For Lighting Application Only

LOW MIDDLE POWER LED - SMD TYPE
CIE BINNING RANKS

Cool-White Bin Coordinates

5000K						
Bin	A	B	C	D	F	G
CIE X	0.3551	0.3464	0.3371	0.3533	0.3487	0.3482
	0.3464	0.3376	0.3366	0.3482	0.3425	0.3422
	0.3456	0.3371	0.3441	0.3477	0.3422	0.3418
	0.3487	0.3422	0.3448	0.3448	0.3482	0.3477
	0.3482	0.3425	0.3418	0.3441	--	--
CIE Y	0.3533	0.3456	0.3422	0.3515	--	--
	0.3760	0.3688	0.3493	0.3624	0.3629	0.3583
	0.3688	0.3616	0.3369	0.3583	0.3579	0.3533
	0.3604	0.3493	0.3428	0.3530	0.3533	0.3483
	0.3629	0.3533	0.3507	0.3507	0.3583	0.3530
	0.3583	0.3579	0.3483	0.3428	--	--
	0.3624	0.3604	0.3533	0.3487	--	--
5700K						
Bin	A	B	C	D	F	G
CIE X	0.3376	0.3292	0.3215	0.3371	0.3321	0.3321
	0.3292	0.3207	0.3222	0.3321	0.3261	0.3262
	0.3292	0.3215	0.3294	0.3320	0.3262	0.3263
	0.3321	0.3262	0.3293	0.3293	0.3321	0.3320
	0.3321	0.3261	0.3263	0.3294	--	--
CIE Y	0.3371	0.3292	0.3262	0.3366	--	--
	0.3616	0.3539	0.3353	0.3493	0.3490	0.3447
	0.3539	0.3462	0.3243	0.3447	0.3436	0.3395
	0.3464	0.3353	0.3306	0.3401	0.3395	0.3350
	0.3490	0.3395	0.3377	0.3377	0.3447	0.3401
	0.3447	0.3436	0.3350	0.3306	--	--
	0.3493	0.3464	0.3395	0.3369	--	--
6500K						
Bin	A	B	C	D	F	G
CIE X	0.3205	0.3117	0.3048	0.3213	0.3157	0.3161
	0.3117	0.3028	0.3068	0.3161	0.3093	0.3100
	0.3125	0.3048	0.3145	0.3166	0.3100	0.3106
	0.3157	0.3100	0.3136	0.3136	0.3161	0.3166
	0.3161	0.3093	0.3106	0.3145	--	--
CIE Y	0.3213	0.3125	0.3100	0.3221	--	--
	0.3481	0.3393	0.3209	0.3371	0.3360	0.3320
	0.3393	0.3304	0.3113	0.3320	0.3297	0.3259
	0.3328	0.3209	0.3187	0.3281	0.3259	0.3222
	0.3360	0.3259	0.3251	0.3251	0.3320	0.3281
	0.3320	0.3297	0.3222	0.3187	--	--
	0.3371	0.3328	0.3259	0.3261	--	--

Natural-White Bin Coordinates

4000K						
Bin	A	B	C	D	F	G
CIE X	0.4006	0.3871	0.3703	0.3952	0.3890	0.3873
	0.3871	0.3736	0.3670	0.3873	0.3793	0.3779
	0.3843	0.3703	0.3784	0.3854	0.3779	0.3764
	0.3890	0.3779	0.3810	0.3810	0.3873	0.3854
	0.3873	0.3793	0.3764	0.3784	--	--
CIE Y	0.3952	0.3843	0.3779	0.3898	--	--
	0.4044	0.3959	0.3726	0.3880	0.3887	0.3831
	0.3959	0.3874	0.3578	0.3831	0.3828	0.3773
	0.3858	0.3726	0.3647	0.3768	0.3773	0.3713
	0.3887	0.3773	0.3741	0.3741	0.3831	0.3768
	0.3831	0.3828	0.3713	0.3647	--	--
	0.3880	0.3858	0.3773	0.3716	--	--
4500K						
Bin	A	B	C	D	F	G
CIE X	0.3736	0.3642	0.3530	0.3703	0.3658	0.3648
	0.3642	0.3548	0.3512	0.3648	0.3592	0.3584
	0.3626	0.3530	0.3591	0.3637	0.3584	0.3575
	0.3658	0.3584	0.3607	0.3607	0.3648	0.3637
	0.3648	0.3592	0.3575	0.3591	--	--
CIE Y	0.3703	0.3626	0.3584	0.3670	--	--
	0.3874	0.3805	0.3601	0.3726	0.3738	0.3686
	0.3805	0.3736	0.3465	0.3686	0.3689	0.3640
	0.3714	0.3601	0.3522	0.3630	0.3640	0.3585
	0.3738	0.3640	0.3608	0.3608	0.3686	0.3630
	0.3686	0.3689	0.3585	0.3522	--	--
	0.3726	0.3714	0.3640	0.3578	--	--

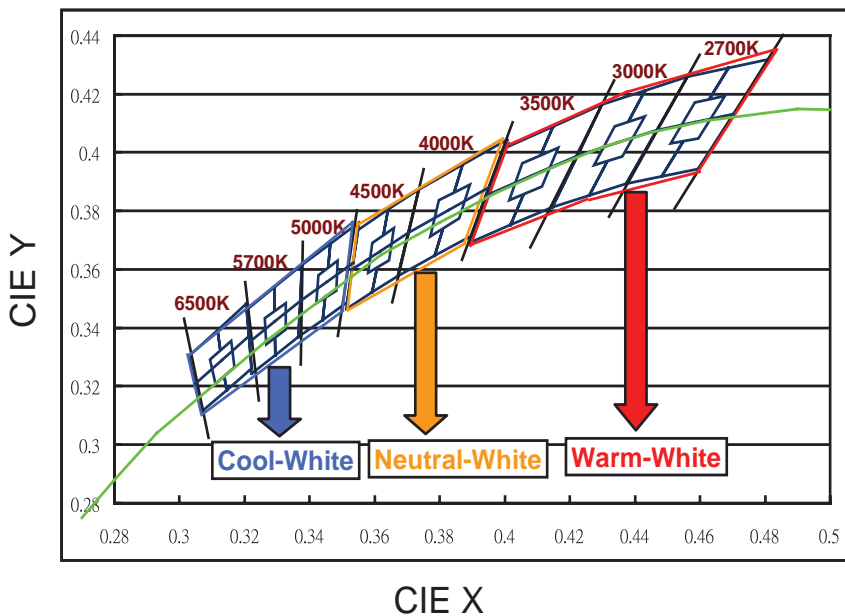
Warm-White Bin Coordinates

2700K						
Bin	A	B	C	D	F	G
CIE X	0.4813	0.4687	0.4465	0.4700	0.4667	0.4627
	0.4687	0.4562	0.4373	0.4627	0.4576	0.4539
	0.4621	0.4465	0.4483	0.4588	0.4539	0.4502
	0.4667	0.4539	0.4544	0.4544	0.4627	0.4588
	0.4627	0.4576	0.4502	0.4483	--	--
	0.4700	0.4621	0.4539	0.4593	--	--
CIE Y	0.4319	0.4289	0.4071	0.4126	0.4180	0.4109
	0.4289	0.4260	0.3893	0.4109	0.4158	0.4088
	0.4169	0.4071	0.3919	0.4041	0.4088	0.4020
	0.4180	0.4088	0.4030	0.4030	0.4109	0.4041
	0.4109	0.4158	0.4020	0.3919	--	--
	0.4126	0.4169	0.4088	0.3944	--	--

3000K						
Bin	A	B	C	D	F	G
CIE X	0.4562	0.4430	0.4221	0.4465	0.4422	0.4388
	0.4430	0.4299	0.4147	0.4388	0.4328	0.4297
	0.4375	0.4221	0.4259	0.4355	0.4297	0.4267
	0.4422	0.4297	0.4311	0.4311	0.4388	0.4355
	0.4388	0.4328	0.4267	0.4259	--	--
	0.4465	0.4375	0.4297	0.4373	--	--
CIE Y	0.4260	0.4212	0.3984	0.4071	0.4113	0.4043
	0.4212	0.4165	0.3814	0.4043	0.4079	0.4011
	0.4096	0.3984	0.3853	0.3977	0.4011	0.3946
	0.4113	0.4011	0.3962	0.3962	0.4043	0.3977
	0.4043	0.4079	0.3946	0.3853	--	--
	0.4071	0.4096	0.4011	0.3893	--	--

3500K						
Bin	A	B	C	D	F	G
CIE X	0.4299	0.4148	0.3943	0.4221	0.4159	0.4134
	0.4148	0.3996	0.3889	0.4134	0.4051	0.4029
	0.4106	0.3943	0.4018	0.4108	0.4029	0.4006
	0.4159	0.4029	0.4057	0.4057	0.4134	0.4108
	0.4134	0.4051	0.4006	0.4018	--	--
	0.4221	0.4106	0.4029	0.4147	--	--
CIE Y	0.4165	0.4090	0.3853	0.3984	0.4007	0.3943
	0.4090	0.4015	0.3690	0.3943	0.3954	0.3893
	0.3981	0.3853	0.3752	0.3878	0.3893	0.3829
	0.4007	0.3893	0.3853	0.3853	0.3943	0.3878
	0.3943	0.3954	0.3829	0.3752	--	--
	0.3984	0.3981	0.3893	0.3814	--	--

White Color Bin Structure



Chromaticity specification defined by ANSI

TECHNICAL DATA

For Lighting Application Only

LOW MIDDLE POWER LED - SURFACE MOUNT PLCC TYPE LED BRIGHTNESS BINNING RANKS

Luminous Flux Bins

Unit : lm

Bin code	Range	
	Min.	Max.
D1	0.5	1.0
D2	1.0	1.5
D3	1.5	2.0
D4	2.0	2.5
D5	2.5	3.0
D6	3.0	3.5
D7	3.5	4.0
D8	4.0	4.5
D9	4.5	5.0
BA	5.0	5.5
B1	5.5	6.0
B2	6.0	6.5
B3	6.5	7.0
B4	7.0	7.5
B5	7.5	8.0
B6	8.0	8.5
B7	8.5	9.0
B8	9.0	9.5
B9	9.5	10.0
L1	10.0	11.0
L2	11.0	12.0
L3	12.0	13.0
L4	13.0	14.0
L5	14.0	15.0
L6	15.0	16.0
L7	16.0	17.0
L8	17.0	18.0
L9	18.0	19.0
M3	19.0	21.0
M4	21.0	24.0
N3	24.0	27.0
N4	27.0	33.0
P3	33.0	39.0
P4	39.0	45.0
Q3	45.0	52.0
NB	32.0	36.0
PA	36.0	40.0
PB	40.0	45.0
QA	45.0	50.0
R1	50.0	55.0
R2	55.0	60.0
R3	60.0	65.0
R4	65.0	70.0
R5	70.0	76.0
R6	76.0	83.0
R7	83.0	90.0
R8	90.0	100.0
S1	100.0	110.0
S2	110.0	120.0
S3	120.0	130.0
S4	130.0	140.0
S5	140.0	150.0
S6	150.0	160.0
S7	160.0	170.0

VF Group Bin Code

Unit : V

Forward Voltage Group	Bin	Min.	Max.	
B2	B42	35	2.80	2.90
		36	2.90	3.00
		37	3.00	3.10
		38	3.10	3.20
		39	3.20	3.30
		40	3.30	3.40
		41	3.40	3.50
		42	3.50	3.60

Forward Voltage Group	Bin	Min.	Max.
5670	5#6	5.6	5.7
	5#7	5.7	5.8
	5#8	5.8	5.9
	5#9	5.9	6.0
	6#0	6.0	6.1
	6#1	6.1	6.2
	6#2	6.2	6.3
	6#3	6.3	6.4
	6#4	6.4	6.5
	6#5	6.5	6.6
	6#6	6.6	6.7
	6#7	6.7	6.8
	6#8	6.8	6.9
6#9	6.9	7.0	

Forward Voltage Group	Bin	Min.	Max.
8499	84C	8.4	8.7
	87C	8.7	9.0
	90C	9.0	9.3
	93C	9.3	9.6
	96C	9.6	9.9

SMD LED : SURFACE MOUNT CHIP LED (PCB TYPE) BRIGHTNESS BIN SELECTION

Luminous Intensity Groups

Unit : mcd

	C0: 0.28 ... 0.45	Q ▶	Q1: 72.0 ... 90.0
	D0: 0.45 ... 0.70		Q2: 90.0 ... 112
	E0: 0.70 ... 1.1	R ▶	R1: 112 ... 140
	F0: 1.1 ... 1.8		R2: 140 ... 180
	G0: 1.8 ... 2.8	S ▶	S1: 180 ... 225
	H0: 2.8 ... 4.5		S2: 225 ... 285
	J0: 4.5 ... 7.2	T ▶	T1: 285 ... 360
	K0: 7.2 ... 11.5		T2: 360 ... 450
L ▶	L1: 11.5 ... 14.5	U ▶	U1: 450 ... 565
	L2: 14.5 ... 18.0		U2: 565 ... 715
M ▶	M1: 18.0 ... 22.5		V0: 715 ... 1120
	M2: 22.5 ... 28.5		W0: 1120 ... 1800
N ▶	N1: 28.5 ... 36.0		X0: 1800 ... 2850
	N2: 36.0 ... 45.0		Y0: 2850 ... 4500
P ▶	P1: 45.0 ... 57.0		
	P2: 57.0 ... 72.0		

Note: The luminous intensity data did not include $\pm 15\%$ testing tolerance.

V_F (Forward Voltage Spec. Setup)

Unit : V

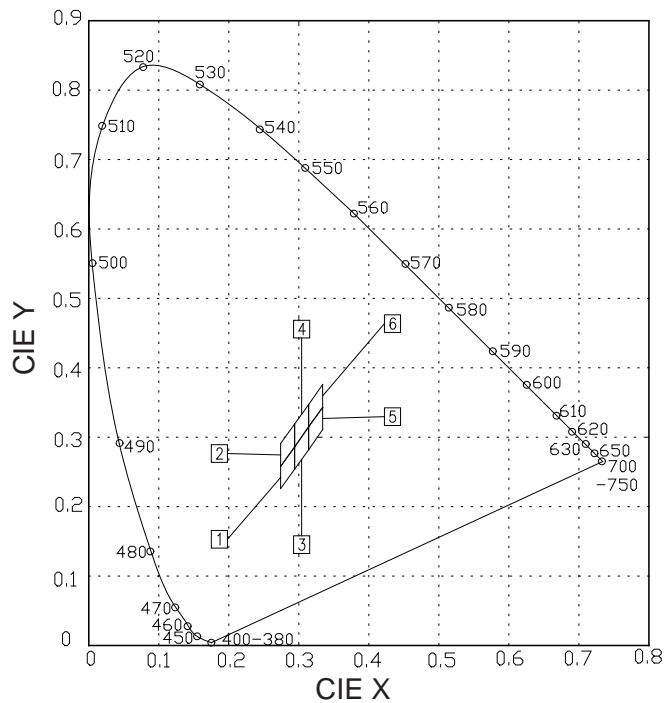
Forward Voltage Groups	Bin	Min.	Max.
	00	1.55	1.75
	0	1.75	1.95
	1	1.95	2.15
	2	2.15	2.35
	3	2.35	2.55
	4	2.55	2.75
	5	2.75	3.05
	6	3.05	3.35
	7	3.35	3.65
	8	3.65	3.95
	10	2.70	2.90
	11	2.90	3.10
	12	3.10	3.30
	13	3.30	3.50
	14	3.50	3.70
	15	2.70	2.85
	16	2.85	3.00
	17	3.00	3.15
	18	3.15	3.30

Note: The forward voltage data did not include $\pm 0.1V$ testing tolerance.

Bin Coordinate

Group	Bin Code	CIE_X	CIE_Y
A	1	0.274	0.226
		0.274	0.258
		0.294	0.286
		0.294	0.254
	2	0.274	0.258
		0.274	0.291
		0.294	0.319
		0.294	0.286
	3	0.294	0.254
		0.294	0.286
		0.314	0.315
		0.314	0.282
	4	0.294	0.286
		0.294	0.319
		0.314	0.347
		0.314	0.315
	5	0.314	0.282
		0.314	0.315
		0.334	0.343
		0.334	0.311
	6	0.314	0.315
		0.314	0.347
		0.334	0.376
		0.334	0.343

Bin Structure (White Light)



TECHNICAL DATA

For Lighting Application Only

SMD LED : SURFACE MOUNT PLCC LED (REFLECTOR) / LOW POWER LED
BRIGHTNESS BIN SELECTION

Luminous Intensity Groups

Unit : mcd

Bin Code	Min.	Max.	Bin Code	Min.	Max.
D1	0.5	1.0	NB	32.0	36.0
D2	1.0	1.5	PA	36.0	40.0
D3	1.5	2.0	PB	40.0	45.0
D4	2.0	2.5	QA	45.0	50.0
D5	2.5	3.0	R1	50.0	55.0
D6	3.0	3.5	R2	55.0	60.0
D7	3.5	4.0	R3	60.0	65.0
D8	4.0	4.5	R4	65.0	70.0
D9	4.5	5.0	R5	70.0	76.0
BA	5.0	5.5	R6	76.0	83.0
B1	5.5	6.0	R7	83.0	90.0
B2	6.0	6.5	R8	90.0	100.0
B3	6.5	7.0	S1	100.0	110.0
B4	7.0	7.5	S2	110.0	120.0
B5	7.5	8.0	S3	120.0	130.0
B6	8.0	8.5	S4	130.0	140.0
B7	8.5	9.0	S5	140.0	150.0
B8	9.0	9.5	S6	150.0	160.0
B9	9.5	10.0	S7	160.0	170.0
L1	10.0	11.0	T1	180.0	190.0
L2	11.0	12.0	T2	190.0	200.0
L3	12.0	13.0	T3	200.0	220.0
L4	13.0	14.0	T4	220.0	240.0
L5	14.0	15.0	T5	240.0	260.0
L6	15.0	16.0	T6	260.0	280.0
L7	16.0	17.0	T7	280.0	300.0
L8	17.0	18.0	T8	300.0	320.0
L9	18.0	19.0			
M3	19.0	21.0			
M4	21.0	24.0			
N3	24.0	27.0			
N4	27.0	33.0			
P3	33.0	39.0			
P4	39.0	45.0			
Q3	45.0	52.0			

V_F (Forward Voltage Spec. Setup)

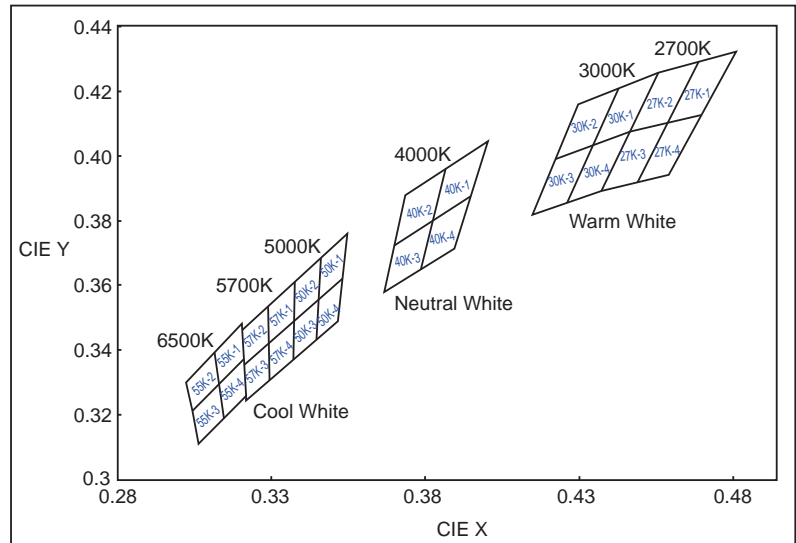
Unit : V (I_F=150mA)

Bin Group	Bin Code	Min.	Max.	
B42	B2	35	2.8	2.9
		36	2.9	3.0
		37	3.0	3.1
		38	3.1	3.2
		39	3.2	3.3
		40	3.3	3.4
		41	3.4	3.5
		42	3.5	3.6

Table of Color Rendering Index

Symbol	Description
M	CRI(Min.) : 60
N	CRI(Min.) : 65
L	CRI(Min.) : 70
Q	CRI(Min.) : 75
K	CRI(Min.) : 80
P	CRI(Min.) : 85
H	CRI(Min.) : 90

Bin Structure



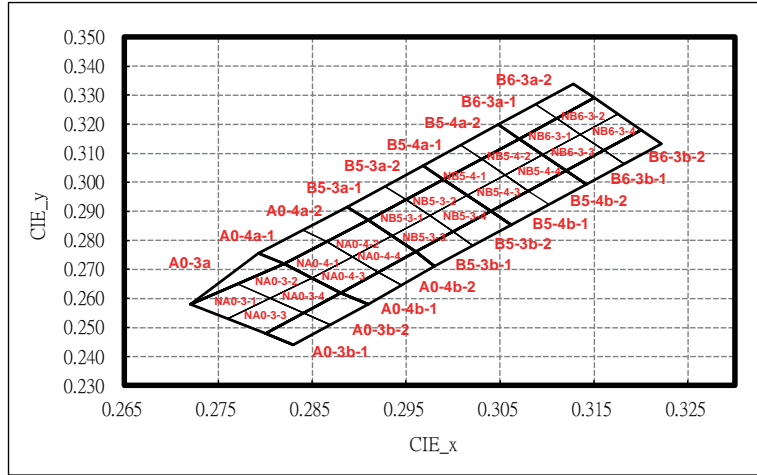
Bin Coordinate

CCT	Bin Code	CIE_x	CIE_y	Bin Code	CIE_x	CIE_y
6500K	65K-1	0.3205	0.3481	65K-3	0.3131	0.3290
		0.3117	0.3393		0.3048	0.3209
		0.3131	0.3290		0.3068	0.3113
		0.3213	0.3371		0.3145	0.3187
	65K-2	0.3117	0.3393	65K-4	0.3213	0.3371
		0.3028	0.3304		0.3131	0.3290
		0.3048	0.3209		0.3145	0.3187
		0.3131	0.3290		0.3221	0.3261
5700K	57K-1	0.3376	0.3616	57K-3	0.3293	0.3423
		0.3292	0.3539		0.3215	0.3353
		0.3293	0.3423		0.3222	0.3243
		0.3371	0.3493		0.3294	0.3306
	57K-2	0.3292	0.3539	57K-4	0.3371	0.3493
		0.3207	0.3462		0.3293	0.3423
		0.3215	0.3353		0.3294	0.3306
		0.3293	0.3423		0.3366	0.3369
5000K	50K-1	0.3551	0.3760	50K-3	0.3452	0.3558
		0.3464	0.3688		0.3371	0.3493
		0.3452	0.3558		0.3366	0.3369
		0.3533	0.3624		0.3441	0.3428
	50K-2	0.3464	0.3688	50K-4	0.3533	0.3624
		0.3376	0.3616		0.3452	0.3558
		0.3371	0.3493		0.3441	0.3428
		0.3452	0.3558		0.3515	0.3487
4000K	40K-1	0.4006	0.4044	40K-3	0.3828	0.3803
		0.3871	0.3959		0.3703	0.3726
		0.3828	0.3803		0.3670	0.3578
		0.3952	0.3880		0.3784	0.3647
	40K-2	0.3871	0.3959	40K-4	0.3952	0.3880
		0.3736	0.3874		0.3828	0.3803
		0.3703	0.3726		0.3784	0.3647
		0.3828	0.3803		0.3898	0.3716
3000K	30K-1	0.4562	0.4260	30K-3	0.4345	0.4033
		0.4431	0.4213		0.4223	0.3990
		0.4345	0.4033		0.4147	0.3814
		0.4468	0.4077		0.4260	0.3854
	30K-2	0.4431	0.4213	30K-4	0.4468	0.4077
		0.4299	0.4165		0.4345	0.4033
		0.4223	0.3990		0.4260	0.3854
		0.4345	0.4033		0.4373	0.3893
2700K	27K-1	0.4813	0.4319	27K-3	0.4585	0.4104
		0.4688	0.4290		0.4468	0.4077
		0.4585	0.4104		0.4373	0.3893
		0.4703	0.4132		0.4483	0.3919
	27K-2	0.4688	0.4290	27K-4	0.4703	0.4132
		0.4562	0.4260		0.4585	0.4104
		0.4468	0.4077		0.4483	0.3919
			0.4104			0.3944

TECHNICAL DATA

SMD LED (99 SERIES) BRIGHTNESS BIN SELECTION

Chromaticity Diagram



Bin Code of Chromaticity Coordinates

Bin Code	CIE_x	CIE_y	Bin Code	CIE_x	CIE_y	Bin Code	CIE_x	CIE_y	Bin Code	CIE_x	CIE_y		
NA0-3-1	0.2760	0.2530	NA0-3-2	0.2805	0.2600	NA0-4-1	0.2850	0.2670	NA0-4-2	0.2893	0.2743		
	0.2720	0.2580		0.2770	0.2650		0.2820	0.2720		0.2865	0.2795		
	0.2770	0.2650		0.2820	0.2720		0.2865	0.2795		0.2910	0.2870		
	0.2805	0.2600		0.2850	0.2670		0.2893	0.2743		0.2935	0.2815		
NA0-3-3	0.2800	0.2480	NA0-3-4	0.2840	0.2550	NA0-4-3	0.2880	0.2620	NA0-4-4	0.2920	0.2690		
	0.2760	0.2530		0.2805	0.2600		0.2850	0.2670		0.2893	0.2743	0.2893	0.2743
	0.2805	0.2600		0.2850	0.2670		0.2893	0.2743		0.2935	0.2815	0.2935	0.2815
	0.2840	0.2550		0.2880	0.2620		0.2920	0.2690		0.2960	0.2760	0.2960	0.2760
A0-3b-1	0.2830	0.2440	A0-3b-2	0.2870	0.2510	A0-4b-1	0.2910	0.2580	A0-4b-2	0.2945	0.2645		
	0.2800	0.2480		0.2840	0.2550		0.2880	0.2620		0.2920	0.2690	0.2920	0.2690
	0.2840	0.2550		0.2880	0.2620		0.2920	0.2690		0.2960	0.2760	0.2960	0.2760
	0.2870	0.2510		0.2910	0.2580		0.2945	0.2645		0.2980	0.2710	0.2980	0.2710
A0-4a-1	0.2820	0.2720	A0-4a-2	0.2865	0.2795	B5-3a-1	0.2910	0.2870	B5-3a-2	0.2950	0.2940		
	0.2793	0.2755		0.2840	0.2836		0.2887	0.2916		0.2928	0.2987	0.2928	0.2987
	0.2840	0.2836		0.2887	0.2916		0.2928	0.2987		0.2968	0.3058	0.2968	0.3058
	0.2865	0.2795		0.2910	0.2870		0.2950	0.2940		0.2990	0.3010	0.2990	0.3010
A0-3a	0.2720	0.2580	NB5-3-1	0.2935	0.2815	NB5-3-2	0.2910	0.2870	NB5-3-3	0.2975	0.2885		
	0.2793	0.2755		0.2910	0.2870		0.2910	0.2870		0.2950	0.2940	0.2950	0.2940
	0.2820	0.2720		0.2950	0.2940		0.2950	0.2940		0.2990	0.3010	0.2990	0.3010
	0.2720	0.2580		0.2975	0.2885		0.2975	0.2885		0.3015	0.2955	0.3015	0.2955
NB5-3-3	0.2960	0.2760	NB5-3-4	0.3000	0.2830	B5-4b-1	0.3062	0.2853	B5-4b-2	0.3102	0.2923		
	0.2935	0.2815		0.2975	0.2885		0.3040	0.2900		0.3080	0.2970	0.3080	0.2970
	0.2975	0.2885		0.3015	0.2955		0.3080	0.2970		0.3120	0.3040	0.3120	0.3040
	0.3000	0.2830		0.3040	0.2900		0.3102	0.2923		0.3142	0.2993	0.3142	0.2993
B5-3b-1	0.2980	0.2710	B5-3b-2	0.3021	0.2782	B6-3a-1	0.3070	0.3150	B6-3a-2	0.3110	0.3220		
	0.2960	0.2760		0.3000	0.2830		0.3048	0.3198		0.3088	0.3268	0.3088	0.3268
	0.3000	0.2830		0.3040	0.2900		0.3088	0.3268		0.3128	0.3338	0.3128	0.3338
	0.3021	0.2782		0.3062	0.2853		0.3110	0.3220		0.3150	0.3290	0.3150	0.3290
B5-4a-1	0.2990	0.3010	B5-4a-2	0.3030	0.3080	NB6-3-1	0.3095	0.3095	NB6-3-2	0.3135	0.3165		
	0.2968	0.3058		0.3008	0.3128		0.3070	0.3150		0.3110	0.3220	0.3110	0.3220
	0.3008	0.3128		0.3048	0.3198		0.3110	0.3220		0.3150	0.3290	0.3150	0.3290
	0.3030	0.3080		0.3070	0.3150		0.3135	0.3165		0.3175	0.3235	0.3175	0.3235
NB5-4-1	0.3015	0.2955	NB5-4-2	0.3055	0.3025	NB6-3-3	0.3120	0.3040	NB6-3-4	0.3160	0.3110		
	0.2990	0.3010		0.3030	0.3080		0.3095	0.3095		0.3135	0.3165	0.3135	0.3165
	0.3030	0.3080		0.3070	0.3150		0.3135	0.3165		0.3175	0.3235	0.3175	0.3235
	0.3055	0.3025		0.3095	0.3095		0.3160	0.3110		0.3200	0.3180	0.3200	0.3180
NB5-4-3	0.3040	0.2900	NB5-4-4	0.3080	0.2970	B6-3b-1	0.3142	0.2993	B6-3b-2	0.3182	0.3063		
	0.3015	0.2955		0.3055	0.3025		0.3120	0.3040		0.3160	0.3110	0.3160	0.3110
	0.3055	0.3025		0.3095	0.3095		0.3160	0.3110		0.3200	0.3180	0.3200	0.3180
	0.3080	0.2970		0.3120	0.3040		0.3182	0.3063		0.3222	0.3133	0.3222	0.3133

V_F (Forward Voltage Spec. Setup)

Unit : V

Bin	Unit: V	
	Min.	Max.
D26	2.60	2.70
D27	2.70	2.80
D28	2.80	2.90
D29	2.90	3.00
D30	3.00	3.10
D31	3.10	3.20
D32	3.20	3.30
D33	3.30	3.40
D34	3.40	3.50

Note: Tolerance of Forward Voltage: ±0.05V

Luminous Flux

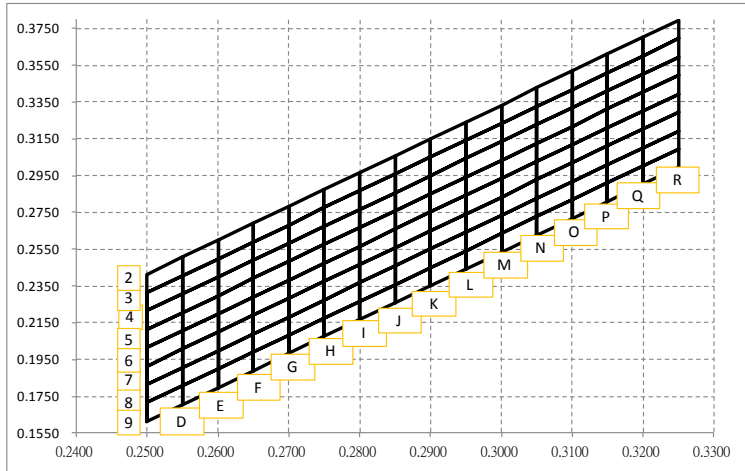
Bin	Unit: lm		Unit: mcd.	
	Min	Max	Min	Max
B45	4.50	4.75	1605	1695
B47	4.75	5.00	1695	1785
B50	5.00	5.25	1785	1875
B52	5.25	5.50	1875	1965
B55	5.50	5.75	1965	2055
B57	5.75	6.00	2055	2145
B60	6.00	6.25	2145	2235
B62	6.25	6.50	2235	2325
B65	6.50	6.75	2325	2415
B67	6.75	7.00	2415	2505
B70	7.00	7.25	2505	2595
B72	7.25	7.50	2595	2685
B75	7.50	7.75	2685	2775
B77	7.75	8.00	2775	2865
B80	8.00	8.25	2865	2955
B82	8.25	8.50	2955	3045
B85	8.50	8.75	3045	3135
B87	8.75	9.00	3135	3225
B90	9.00	9.25	3225	3315
B92	9.25	9.50	3315	3405
B95	9.50	9.75	3405	3495
B97	9.75	10.00	3495	3585

Note: Tolerance of Luminous Flux: ±7%.

TECHNICAL DATA

SMD LED (3003,3006 SERIES) BRIGHTNESS BIN SELECTION

Chromaticity Diagram



Bin code of Chromaticity Coordinates

Bin	CIE_x	CIE_y	Bin	CIE_x	CIE_y	Bin	CIE_x	CIE_y	Bin	CIE_x	CIE_y	Bin	CIE_x	CIE_y
D2	0.2500	0.2314	E2	0.2550	0.2406	F2	0.2600	0.2498	G2	0.2650	0.2590	H2	0.2700	0.2682
	0.2500	0.2414		0.2550	0.2506		0.2600	0.2598		0.2650	0.2690		0.2700	0.2782
	0.2550	0.2506		0.2600	0.2498		0.2650	0.2590		0.2700	0.2682		0.2750	0.2874
	0.2550	0.2406		0.2600	0.2498		0.2650	0.2590		0.2700	0.2682		0.2750	0.2774
D3	0.2500	0.2314	E3	0.2550	0.2406	F3	0.2600	0.2498	G3	0.2650	0.2590	H3	0.2700	0.2682
	0.2500	0.2214		0.2550	0.2306		0.2600	0.2398		0.2650	0.2490		0.2700	0.2582
	0.2550	0.2406		0.2600	0.2498		0.2650	0.2590		0.2700	0.2682		0.2750	0.2774
	0.2550	0.2306		0.2600	0.2398		0.2650	0.2490		0.2700	0.2582		0.2750	0.2674
D4	0.2500	0.2214	E4	0.2550	0.2306	F4	0.2600	0.2398	G4	0.2650	0.2490	H4	0.2700	0.2582
	0.2500	0.2114		0.2550	0.2206		0.2600	0.2298		0.2650	0.2390		0.2700	0.2482
	0.2550	0.2306		0.2600	0.2398		0.2650	0.2490		0.2700	0.2582		0.2750	0.2674
	0.2550	0.2206		0.2600	0.2298		0.2650	0.2390		0.2700	0.2482		0.2750	0.2574
D5	0.2500	0.2114	E5	0.2550	0.2206	F5	0.2600	0.2298	G5	0.2650	0.2390	H5	0.2700	0.2482
	0.2500	0.2014		0.2550	0.2106		0.2600	0.2198		0.2650	0.2290		0.2700	0.2382
	0.2550	0.2206		0.2600	0.2298		0.2650	0.2390		0.2700	0.2482		0.2750	0.2574
	0.2550	0.2106		0.2600	0.2198		0.2650	0.2290		0.2700	0.2382		0.2750	0.2474
D6	0.2500	0.2014	E6	0.2550	0.2106	F6	0.2600	0.2198	G6	0.2650	0.2290	H6	0.2700	0.2382
	0.2500	0.1914		0.2550	0.2006		0.2600	0.2098		0.2650	0.2190		0.2700	0.2282
	0.2550	0.2106		0.2600	0.2198		0.2650	0.2290		0.2700	0.2382		0.2750	0.2474
	0.2550	0.2006		0.2600	0.2098		0.2650	0.2190		0.2700	0.2282		0.2750	0.2374
D7	0.2500	0.1914	E7	0.2550	0.2006	F7	0.2600	0.2098	G7	0.2650	0.2190	H7	0.2700	0.2282
	0.2500	0.1814		0.2550	0.1906		0.2600	0.1998		0.2650	0.2090		0.2700	0.2182
	0.2550	0.2006		0.2600	0.2098		0.2650	0.2190		0.2700	0.2282		0.2750	0.2374
	0.2550	0.1906		0.2600	0.1998		0.2650	0.2090		0.2700	0.2182		0.2750	0.2274
D8	0.2500	0.1814	E8	0.2550	0.1906	F8	0.2600	0.1998	G8	0.2650	0.2090	H8	0.2700	0.2182
	0.2500	0.1714		0.2550	0.1806		0.2600	0.1898		0.2650	0.1990		0.2700	0.2082
	0.2550	0.1906		0.2600	0.1998		0.2650	0.2090		0.2700	0.2182		0.2750	0.2274
	0.2550	0.1806		0.2600	0.1898		0.2650	0.1990		0.2700	0.2082		0.2750	0.2174
D9	0.2500	0.1714	E9	0.2550	0.1806	F9	0.2600	0.1898	G9	0.2650	0.1990	H9	0.2700	0.2082
	0.2500	0.1614		0.2550	0.1706		0.2600	0.1798		0.2650	0.1890		0.2700	0.1982
	0.2550	0.1806		0.2600	0.1898		0.2650	0.1990		0.2700	0.2082		0.2750	0.2174
	0.2550	0.1706		0.2600	0.1798		0.2650	0.1890		0.2700	0.1982		0.2750	0.2074
	0.2500	0.1614		0.2550	0.1706		0.2600	0.1798		0.2650	0.1890		0.2700	0.1982

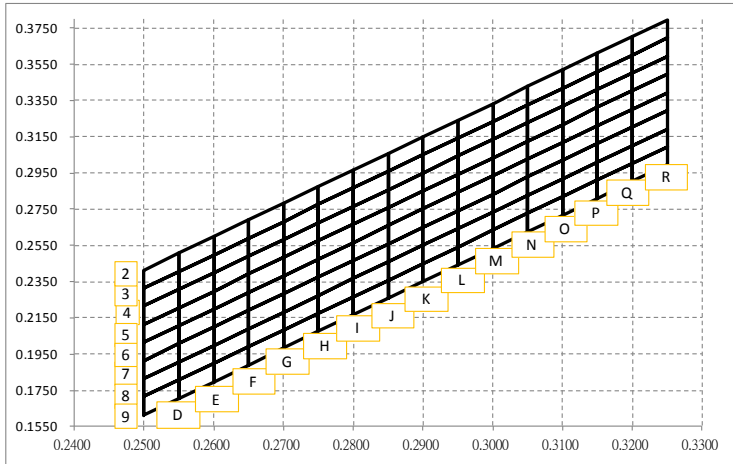
Bin code of Chromaticity Coordinates

Bin	CIE_x	CIE_y	Bin	CIE_x	CIE_y	Bin	CIE_x	CIE_y	Bin	CIE_x	CIE_y	Bin	CIE_x	CIE_y
I2	0.2750	0.2774	J2	0.2800	0.2866	K2	0.2850	0.2958	L2	0.2900	0.3050	M2	0.2950	0.3142
	0.2750	0.2874		0.2800	0.2966		0.2850	0.3058		0.2900	0.3150		0.2950	0.3242
	0.2800	0.2966		0.2850	0.2958		0.2900	0.3050		0.2950	0.3142		0.3000	0.3234
	0.2800	0.2866		0.2800	0.2866		0.2850	0.2958		0.2900	0.3050		0.2950	0.3142
I3	0.2750	0.2674	J3	0.2800	0.2766	K3	0.2850	0.2858	L3	0.2900	0.2950	M3	0.2950	0.3042
	0.2750	0.2774		0.2800	0.2866		0.2850	0.2958		0.2900	0.3050		0.2950	0.3142
	0.2800	0.2866		0.2850	0.2958		0.2900	0.3050		0.2950	0.3142		0.3000	0.3234
	0.2800	0.2766		0.2850	0.2858		0.2900	0.2950		0.2950	0.3042		0.3000	0.3134
I4	0.2750	0.2674	J4	0.2800	0.2766	K4	0.2850	0.2858	L4	0.2900	0.2950	M4	0.2950	0.3042
	0.2750	0.2574		0.2800	0.2666		0.2850	0.2758		0.2900	0.2850		0.2950	0.2942
	0.2750	0.2674		0.2800	0.2766		0.2850	0.2858		0.2900	0.2950		0.2950	0.3042
	0.2800	0.2766		0.2850	0.2858		0.2900	0.2950		0.2950	0.3042		0.3000	0.3134
I5	0.2800	0.2666	J5	0.2850	0.2758	K5	0.2900	0.2850	L5	0.2950	0.2942	M5	0.3000	0.3034
	0.2800	0.2574		0.2800	0.2666		0.2850	0.2758		0.2900	0.2850		0.2950	0.2842
	0.2800	0.2666		0.2850	0.2658		0.2900	0.2750		0.2950	0.2842		0.3000	0.2934
	0.2800	0.2474		0.2800	0.2566		0.2850	0.2658		0.2900	0.2750		0.2950	0.2842
I6	0.2750	0.2374	J6	0.2800	0.2466	K6	0.2850	0.2558	L6	0.2900	0.2650	M6	0.2950	0.2742
	0.2750	0.2474		0.2800	0.2566		0.2850	0.2658		0.2900	0.2750		0.2950	0.2842
	0.2800	0.2566		0.2850	0.2658		0.2900	0.2750		0.2950	0.2842		0.3000	0.2934
	0.2800	0.2466		0.2850	0.2558		0.2900	0.2650		0.2950	0.2742		0.3000	0.2834
I7	0.2750	0.2374	J7	0.2800	0.2466	K7	0.2850	0.2558	L7	0.2900	0.2650	M7	0.2950	0.2742
	0.2800	0.2466		0.2800	0.2366		0.2850	0.2458		0.2900	0.2550		0.2950	0.2642
	0.2800	0.2274		0.2850	0.2558		0.2900	0.2650		0.2950	0.2742		0.3000	0.2834
	0.2800	0.2366		0.2850	0.2458		0.2900	0.2550		0.2950	0.2642		0.3000	0.2734
I8	0.2750	0.2274	J8	0.2800	0.2366	K8	0.2850	0.2458	L8	0.2900	0.2550	M8	0.2950	0.2642
	0.2750	0.2174		0.2800	0.2266		0.2850	0.2358		0.2900	0.2450		0.2950	0.2542
	0.2800	0.2366		0.2850	0.2458		0.2900	0.2550		0.2950	0.2642		0.3000	0.2734
	0.2800	0.2266		0.2850	0.2358		0.2900	0.2450		0.2950	0.2542		0.3000	0.2634
I9	0.2750	0.2174	J9	0.2800	0.2266	K9	0.2850	0.2358	L9	0.2900	0.2450	M9	0.2950	0.2542
	0.2750	0.2074		0.2800	0.2166		0.2850	0.2258		0.2900	0.2350		0.2950	0.2442
	0.2800	0.2266		0.2800	0.2166		0.2850	0.2258		0.2900	0.2350		0.2950	0.2442
	0.2800	0.2074		0.2850	0.2166		0.2850	0.2166		0.2900	0.2258		0.2950	0.2350

TECHNICAL DATA

SMD LED (3003,3006 SERIES) BRIGHTNESS BIN SELECTION

Chromaticity Diagram



Bin code of Chromaticity Coordinates

Bin	CIE_x	CIE_y	Bin	CIE_x	CIE_y	Bin	CIE_x	CIE_y	Bin	CIE_x	CIE_y	Bin	CIE_x	CIE_y		
N2	0.3000	0.3234	O2	0.3050	0.3326	P2	0.3100	0.3418	Q2	0.3150	0.3510	R2	0.3200	0.3602		
	0.3000	0.3334		0.3050	0.3426		0.3100	0.3518		0.3150	0.3610		0.3200	0.3702	0.3250	0.3794
	0.3050	0.3426		0.3100	0.3418		0.3150	0.3510		0.3200	0.3602		0.3250	0.3694	0.3200	0.3602
	0.3050	0.3326		0.3100	0.3418		0.3150	0.3510		0.3200	0.3602		0.3250	0.3694	0.3200	0.3602
N3	0.3000	0.3134	O3	0.3050	0.3226	P3	0.3100	0.3318	Q3	0.3150	0.3410	R3	0.3200	0.3502		
	0.3000	0.3234		0.3050	0.3326		0.3100	0.3418		0.3150	0.3510		0.3200	0.3602	0.3250	0.3694
	0.3050	0.3326		0.3100	0.3418		0.3150	0.3510		0.3200	0.3602		0.3250	0.3694	0.3200	0.3602
	0.3050	0.3226		0.3100	0.3318		0.3150	0.3410		0.3200	0.3502		0.3250	0.3594	0.3200	0.3502
N4	0.3000	0.3134	O4	0.3050	0.3226	P4	0.3100	0.3318	Q4	0.3150	0.3410	R4	0.3200	0.3502		
	0.3000	0.3034		0.3050	0.3126		0.3100	0.3218		0.3150	0.3310		0.3200	0.3402	0.3250	0.3494
	0.3000	0.3134		0.3050	0.3226		0.3100	0.3318		0.3150	0.3410		0.3200	0.3502	0.3250	0.3594
	0.3050	0.3226		0.3100	0.3318		0.3150	0.3410		0.3200	0.3502		0.3250	0.3494	0.3200	0.3402
N5	0.3000	0.2934	O5	0.3050	0.3026	P5	0.3100	0.3118	Q5	0.3150	0.3210	R5	0.3200	0.3302		
	0.3000	0.3034		0.3050	0.3126		0.3100	0.3218		0.3150	0.3310		0.3200	0.3402	0.3250	0.3494
	0.3050	0.3126		0.3100	0.3218		0.3150	0.3310		0.3200	0.3402		0.3250	0.3494	0.3200	0.3402
	0.3050	0.3026		0.3100	0.3118		0.3150	0.3210		0.3200	0.3302		0.3250	0.3394	0.3200	0.3302
N6	0.3000	0.2834	O6	0.3050	0.2926	P6	0.3100	0.3018	Q6	0.3150	0.3110	R6	0.3200	0.3202		
	0.3000	0.2934		0.3050	0.3026		0.3100	0.3118		0.3150	0.3210		0.3200	0.3302	0.3250	0.3394
	0.3050	0.3026		0.3100	0.3118		0.3150	0.3210		0.3200	0.3302		0.3250	0.3394	0.3200	0.3302
	0.3050	0.2926		0.3100	0.3018		0.3150	0.3110		0.3200	0.3202		0.3250	0.3294	0.3200	0.3202
N7	0.3000	0.2734	O7	0.3050	0.2826	P7	0.3100	0.2918	Q7	0.3150	0.3010	R7	0.3200	0.3102		
	0.3000	0.2834		0.3050	0.2926		0.3100	0.3018		0.3150	0.3110		0.3200	0.3202	0.3250	0.3294
	0.3050	0.2926		0.3100	0.3018		0.3150	0.3110		0.3200	0.3202		0.3250	0.3294	0.3200	0.3202
	0.3050	0.2826		0.3100	0.2918		0.3150	0.3010		0.3200	0.3102		0.3250	0.3194	0.3200	0.3102
N8	0.3000	0.2634	O8	0.3050	0.2726	P8	0.3100	0.2818	Q8	0.3150	0.2910	R8	0.3200	0.3002		
	0.3000	0.2734		0.3050	0.2826		0.3100	0.2918		0.3150	0.3010		0.3200	0.3102	0.3250	0.3194
	0.3050	0.2826		0.3100	0.2918		0.3150	0.3010		0.3200	0.3102		0.3250	0.3194	0.3200	0.3102
	0.3050	0.2726		0.3100	0.2818		0.3150	0.2910		0.3200	0.3002		0.3250	0.3094	0.3200	0.3002
N9	0.3000	0.2534	O9	0.3050	0.2626	P9	0.3100	0.2718	Q9	0.3150	0.2810	R9	0.3200	0.2902		
	0.3000	0.2634		0.3050	0.2726		0.3100	0.2818		0.3150	0.2910		0.3200	0.3002	0.3250	0.3094
	0.3050	0.2726		0.3100	0.2818		0.3150	0.2910		0.3200	0.2902		0.3250	0.2994	0.3200	0.2902
	0.3050	0.2626		0.3100	0.2718		0.3150	0.2810		0.3200	0.2902		0.3250	0.2994	0.3200	0.2902

Luminous Flux

Bin	Unit: lm		Unit: mcd	
	Min.	Max.	Min.	Max.
B45	4.50	4.75	1605	1695
B47	4.75	5.00	1695	1785
B50	5.00	5.25	1785	1875
B52	5.25	5.50	1875	1965
B55	5.50	5.75	1965	2055
B57	5.75	6.00	2055	2145
B60	6.00	6.25	2145	2235
B62	6.25	6.50	2235	2325
B65	6.50	6.75	2325	2415
B67	6.75	7.00	2415	2505
B70	7.00	7.25	2505	2595
B72	7.25	7.50	2595	2685
B75	7.50	7.75	2685	2775
B77	7.75	8.00	2775	2865
B80	8.00	8.25	2865	2955
B82	8.25	8.50	2955	3045
B85	8.50	8.75	3045	3135
B87	8.75	9.00	3135	3225
B90	9.00	9.25	3225	3315
B92	9.25	9.50	3315	3405
B95	9.50	9.75	3405	3495
B97	9.75	10.00	3495	3585

Note: Tolerance of Luminous Flux: $\pm 7\%$

V_F (Forward Voltage Spec. Setup)

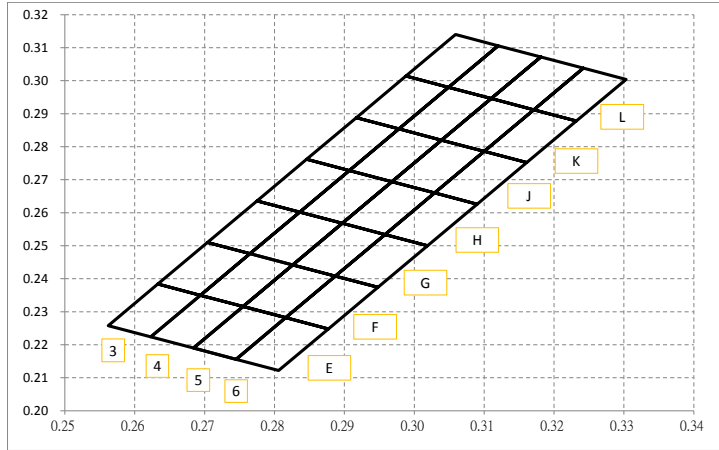
Bin	Unit: V	
	Min.	Max.
D26	2.60	2.70
D27	2.70	2.80
D28	2.80	2.90
D29	2.90	3.00
D30	3.00	3.10
D31	3.10	3.20
D32	3.20	3.30
D33	3.30	3.40
D34	3.40	3.50

Note: Tolerance of Forward Voltage: $\pm 0.05V$.

TECHNICAL DATA

SMD LED (2604/3004 SERIES) BRIGHTNESS BIN SELECTION

Chromaticity Diagram



Bin code of Chromaticity Coordinates

Bin	CIE_x	CIE_y	Bin	CIE_x	CIE_y	Bin	CIE_x	CIE_y	Bin	CIE_x	CIE_y
E5	0.2755	0.2316	E4	0.2755	0.2316	E3	0.2694	0.2350	E6	0.2816	0.2282
	0.2684	0.2190		0.2684	0.2190		0.2623	0.2224		0.2745	0.2156
	0.2745	0.2156		0.2623	0.2224		0.2562	0.2258		0.2806	0.2122
	0.2816	0.2282		0.2694	0.2350		0.2633	0.2384		0.2877	0.2248
F5	0.2755	0.2316	F4	0.2755	0.2316	F3	0.2694	0.2350	F6	0.2816	0.2282
	0.2826	0.2442		0.2826	0.2442		0.2765	0.2476		0.2887	0.2408
	0.2755	0.2316		0.2755	0.2316		0.2694	0.2350		0.2816	0.2282
	0.2816	0.2282		0.2694	0.2350		0.2633	0.2384		0.2877	0.2248
G5	0.2887	0.2408	G4	0.2765	0.2476	G3	0.2704	0.2510	G6	0.2948	0.2374
	0.2826	0.2442		0.2826	0.2442		0.2765	0.2476		0.2887	0.2408
	0.2897	0.2568		0.2897	0.2568		0.2836	0.2602		0.2958	0.2534
	0.2826	0.2442		0.2826	0.2442		0.2765	0.2476		0.2887	0.2408
H5	0.2887	0.2408	H4	0.2765	0.2476	H3	0.2704	0.2510	H6	0.2948	0.2374
	0.2958	0.2534		0.2836	0.2602		0.2775	0.2636		0.3019	0.2500
	0.2897	0.2568		0.2897	0.2568		0.2836	0.2602		0.2958	0.2534
	0.2968	0.2694		0.2968	0.2694		0.2907	0.2728		0.3029	0.2660
J5	0.2897	0.2568	J4	0.2897	0.2568	J3	0.2836	0.2602	J6	0.2958	0.2534
	0.2958	0.2534		0.2836	0.2602		0.2775	0.2636		0.3019	0.2500
	0.3029	0.2660		0.2907	0.2728		0.2846	0.2762		0.3090	0.2626
	0.2968	0.2694		0.2968	0.2694		0.2907	0.2728		0.3029	0.2660
K5	0.3039	0.2820	K4	0.3039	0.2820	K3	0.2978	0.2854	K6	0.3100	0.2786
	0.2968	0.2694		0.2968	0.2694		0.2907	0.2728		0.3029	0.2660
	0.3029	0.2660		0.2907	0.2728		0.2846	0.2762		0.3090	0.2626
	0.3100	0.2786		0.2978	0.2854		0.2917	0.2888		0.3161	0.2752
L5	0.3039	0.2820	L4	0.3039	0.2820	L3	0.2978	0.2854	L6	0.3100	0.2786
	0.3110	0.2946		0.3110	0.2946		0.2917	0.2888		0.3161	0.2752
	0.3039	0.2820		0.3049	0.2980		0.2988	0.3014		0.3232	0.2878
	0.3100	0.2786		0.3110	0.2946		0.3049	0.2980		0.3171	0.2912
L5	0.3171	0.2912	L4	0.3110	0.2946	L3	0.3120	0.3106	L6	0.3242	0.3038
	0.3242	0.3038		0.3110	0.2946		0.3049	0.2980		0.3171	0.2912
	0.3181	0.3072		0.3110	0.2946		0.3120	0.3106		0.3242	0.3038
	0.3110	0.2946		0.3049	0.2980		0.3049	0.2980		0.3171	0.2912
L5	0.3171	0.2912	L4	0.3110	0.2946	L3	0.3120	0.3106	L6	0.3242	0.3038
	0.3242	0.3038		0.3120	0.3106		0.3059	0.3140		0.3303	0.3004
	0.3181	0.3072		0.3181	0.3072		0.3120	0.3106		0.3242	0.3038
	0.3110	0.2946		0.3110	0.2946		0.3120	0.3106		0.3242	0.3038

Luminous Flux

Bin	Unit: lm		Unit: mcd	
	Min.	Max.	Min.	Max.
B45	4.50	4.75	1605	1695
B47	4.75	5.00	1695	1785
B50	5.00	5.25	1785	1875
B52	5.25	5.50	1875	1965
B55	5.50	5.75	1965	2055
B57	5.75	6.00	2055	2145
B60	6.00	6.25	2145	2235
B62	6.25	6.50	2235	2325
B65	6.50	6.75	2325	2415
B67	6.75	7.00	2415	2505
B70	7.00	7.25	2505	2595
B72	7.25	7.50	2595	2685
B75	7.50	7.75	2685	2775
B77	7.75	8.00	2775	2865
B80	8.00	8.25	2865	2955
B82	8.25	8.50	2955	3045
B85	8.50	8.75	3045	3135
B87	8.75	9.00	3135	3225
B90	9.00	9.25	3225	3315
B92	9.25	9.50	3315	3405
B95	9.50	9.75	3405	3495
B97	9.75	10.00	3495	3585

Note: Tolerance of Luminous Flux: $\pm 7\%$

V_F (Forward Voltage Spec. Setup)

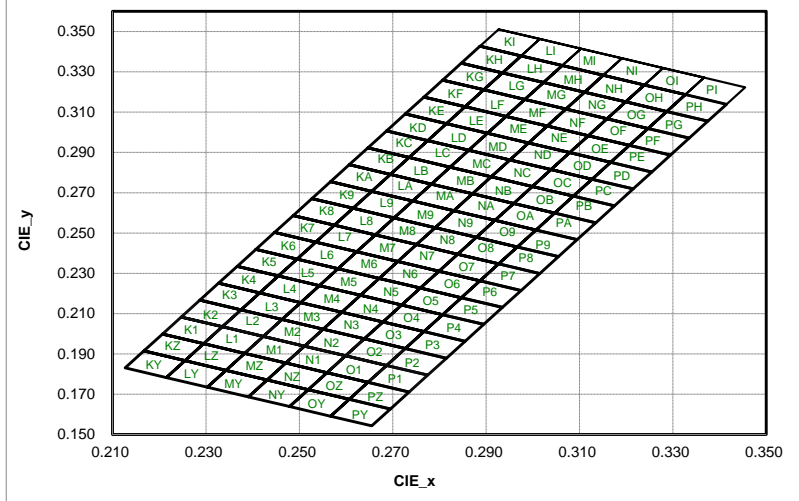
Bin	Unit: V	
	Min.	Max.
D26	2.60	2.70
D27	2.70	2.80
D28	2.80	2.90
D29	2.90	3.00
D30	3.00	3.10
D31	3.10	3.20
D32	3.20	3.30
D33	3.30	3.40
D34	3.40	3.50

Note: Tolerance of Forward Voltage: $\pm 0.05V$.

TECHNICAL DATA

SMD LED (3030/50/62 SERIES) BRIGHTNESS BIN SELECTION

Chromaticity Diagram



Bin Code of Chromaticity Coordinates

Bin	CIE_x	CIE_y	Bin	CIE_x	CIE_y
KY	0.2167	0.1915	KZ	0.2207	0.1999
	0.2255	0.1867		0.2295	0.1951
	0.2215	0.1783		0.2255	0.1867
	0.2127	0.1831		0.2167	0.1915
KE	0.2767	0.3175	KF	0.2807	0.3259
	0.2855	0.3127		0.2895	0.3211
	0.2815	0.3043		0.2855	0.3127
L9	0.2727	0.3091	LA	0.2767	0.3175
	0.2655	0.2707		0.2695	0.2791
	0.2743	0.2659		0.2783	0.2743
	0.2703	0.2575		0.2743	0.2659
M4	0.2615	0.2623	M5	0.2655	0.2707
	0.2543	0.2239		0.2583	0.2323
	0.2631	0.2191		0.2671	0.2275
	0.2591	0.2107		0.2631	0.2191
NY	0.2503	0.2155	NZ	0.2543	0.2239
	0.2431	0.1771		0.2471	0.1855
	0.2519	0.1723		0.2559	0.1807
	0.2479	0.1639		0.2519	0.1723
NE	0.2391	0.1687	NF	0.2431	0.1771
	0.3031	0.3031		0.3071	0.3115
	0.3119	0.2983		0.3159	0.3067
	0.3079	0.2899		0.3119	0.2983
O9	0.2991	0.2947	OA	0.3031	0.3031
	0.2919	0.2563		0.2959	0.2647
	0.3007	0.2515		0.3047	0.2599
	0.2967	0.2431		0.3007	0.2515
P4	0.2879	0.2479	P5	0.2919	0.2563
	0.2807	0.2095		0.2847	0.2179
	0.2895	0.2047		0.2935	0.2131
	0.2855	0.1963		0.2895	0.2047
	0.2767	0.2011		0.2807	0.2095

Bin Code of Chromaticity Coordinates

Bin	CIE_x	CIE_y	Bin	CIE_x	CIE_y	Bin	CIE_x	CIE_y	Bin	CIE_x	CIE_y	Bin	CIE_x	CIE_y	Bin	CIE_x	CIE_y			
K1	0.2247	0.2083	K2	0.2287	0.2167	K3	0.2327	0.2251	K4	0.2367	0.2335	K5	0.2407	0.2419	K6	0.2447	0.2503	K7	0.2487	0.2587
	0.2335	0.2035		0.2375	0.2119		0.2415	0.2203		0.2455	0.2287		0.2495	0.2371		0.2535	0.2455		0.2575	0.2539
	0.2295	0.1951		0.2335	0.2035		0.2375	0.2119		0.2415	0.2203		0.2455	0.2287		0.2495	0.2371		0.2535	0.2455
	0.2207	0.1999		0.2247	0.2083		0.2287	0.2167		0.2327	0.2251		0.2367	0.2335		0.2407	0.2419		0.2447	0.2503
KG	0.2847	0.3343	KH	0.2887	0.3427	KI	0.2927	0.3511	LY	0.2255	0.1867	LZ	0.2295	0.1951	L1	0.2335	0.2035	L2	0.2375	0.2119
	0.2935	0.3295		0.2975	0.3379		0.3015	0.3463		0.2343	0.1819		0.2383	0.1903		0.2423	0.1987		0.2463	0.2071
	0.2895	0.3211		0.2935	0.3295		0.2975	0.3379		0.2303	0.1735		0.2343	0.1819		0.2383	0.1903		0.2423	0.1987
	0.2807	0.3259		0.2847	0.3343		0.2887	0.3427		0.2215	0.1783		0.2255	0.1867		0.2295	0.1951		0.2335	0.2035
LB	0.2735	0.2875	LC	0.2775	0.2959	LD	0.2815	0.3043	LE	0.2855	0.3127	LF	0.2895	0.3211	LG	0.2935	0.3295	LH	0.2975	0.3379
	0.2823	0.2827		0.2863	0.2911		0.2903	0.2995		0.2943	0.3079		0.2983	0.3163		0.3023	0.3247		0.3063	0.3331
	0.2783	0.2743		0.2823	0.2827		0.2863	0.2911		0.2903	0.2995		0.2943	0.3079		0.2983	0.3163		0.3023	0.3247
	0.2695	0.2791		0.2735	0.2875		0.2775	0.2959		0.2815	0.3043		0.2855	0.3127		0.2895	0.3211		0.2935	0.3295
M6	0.2623	0.2407	M7	0.2663	0.2491	M8	0.2703	0.2575	M9	0.2743	0.2659	MA	0.2783	0.2743	MB	0.2823	0.2827	MC	0.2863	0.2911
	0.2711	0.2359		0.2751	0.2443		0.2791	0.2527		0.2831	0.2611		0.2871	0.2695		0.2911	0.2779		0.2951	0.2863
	0.2671	0.2275		0.2711	0.2359		0.2751	0.2443		0.2791	0.2527		0.2831	0.2611		0.2871	0.2695		0.2911	0.2779
	0.2583	0.2323		0.2623	0.2407		0.2663	0.2491		0.2703	0.2575		0.2743	0.2659		0.2783	0.2743		0.2823	0.2827
N1	0.2511	0.1939	0.2551	0.2023	0.2591	0.2107	0.2631	0.2191	0.2671	0.2275	0.2711	0.2359	0.2751	0.2443						
	0.2599	0.1891	0.2639	0.1975	0.2679	0.2059	0.2719	0.2143	0.2759	0.2227	0.2799	0.2311	0.2839	0.2395						
	0.2559	0.1807	0.2599	0.1891	0.2639	0.1975	0.2679	0.2059	0.2719	0.2143	0.2759	0.2227	0.2799	0.2311						
	0.2471	0.1855	0.2511	0.1939	0.2551	0.2023	0.2591	0.2107	0.2631	0.2191	0.2671	0.2275	0.2711	0.2359						
NG	0.3111	0.3199	NH	0.3151	0.3283	NI	0.3191	0.3367	OY	0.2519	0.1723	OZ	0.2559	0.1807	O1	0.2599	0.1891	O2	0.2639	0.1975
	0.3199	0.3151		0.3239	0.3235		0.3279	0.3319		0.2607	0.1675		0.2647	0.1759		0.2687	0.1843		0.2727	0.1927
	0.3159	0.3067		0.3199	0.3151		0.3239	0.3235		0.3279	0.3319		0.2567	0.1591		0.2607	0.1675		0.2647	0.1759
	0.3071	0.3115		0.3111	0.3199		0.3151	0.3283		0.3191	0.3367		0.2479	0.1639		0.2519	0.1723		0.2559	0.1807
OB	0.2999	0.2731	OC	0.3039	0.2815	OD	0.3079	0.2899	OE	0.3119	0.2983	OF	0.3159	0.3067	OG	0.3199	0.3151	OH	0.3239	0.3235
	0.3087	0.2683		0.3127	0.2767		0.3167	0.2851		0.3207	0.2935		0.3247	0.3019		0.3287	0.3103		0.3327	0.3187
	0.3047	0.2599		0.3087	0.2683		0.3127	0.2767		0.3167	0.2851		0.3207	0.2935		0.3247	0.3019		0.3287	0.3103
	0.2959	0.2647		0.2999	0.2731		0.3039	0.2815		0.3079	0.2899		0.3119	0.2983		0.3159	0.3067		0.3199	0.3151
P6	0.2887	0.2263	P7	0.2927	0.2347	P8	0.2967	0.2431	P9	0.3007	0.2515	PA	0.3047	0.2599	PB	0.3087	0.2683	PC	0.3127	0.2767
	0.2975	0.2215		0.3015	0.2299		0.3055	0.2383		0.3095	0.2467		0.3135	0.2551		0.3175	0.2635		0.3215	0.2719
	0.2935	0.2131		0.2975	0.2215		0.3015	0.2299		0.3055	0.2383		0.3095	0.2467		0.3135	0.2551		0.3175	0.2635
	0.2847	0.2179		0.2887	0.2263		0.2927	0.2347		0.2967	0.2431		0.3007	0.2515		0.3047	0.2599		0.3087	0.2683

Bin Code of Chromaticity Coordinates

Bin	CIE_x	CIE_y	Bin	CIE_x	CIE_y	Bin	CIE_x	CIE_y	Bin	CIE_x	CIE_y	Bin	CIE_x	CIE_y	Bin	CIE_x	CIE_y
K8	0.2527	0.2671	K9	0.2567	0.2755	KA	0.2607	0.2839	KB	0.2647	0.2923	KC	0.2687	0.3007	KD	0.2727	0.3091
	0.2615	0.2623		0.2655	0.2707		0.2695	0.2791		0.2735	0.2875		0.2775	0.2959		0.2815	0.3043
	0.2575	0.2539		0.2615	0.2623		0.2655	0.2707		0.2695	0.2791		0.2735	0.2875		0.2775	0.2959
	0.2487	0.2587		0.2527	0.2671		0.2567	0.2755		0.2607	0.2839		0.2647	0.2923		0.2687	0.3007
L3	0.2415	0.2203	L4	0.2455	0.2287	L5	0.2495	0.2371	L6	0.2535	0.2455	L7	0.2575	0.2539	L8	0.2615	0.2623
	0.2503	0.2155		0.2543	0.2239		0.2583	0.2323		0.2623	0.2407		0.2663	0.2491		0.2703	0.2575
	0.2463	0.2071		0.2503	0.2155		0.2543	0.2239		0.2583	0.2323		0.2623	0.2407		0.2663	0.2491
	0.2375	0.2119		0.2415	0.2203		0.2455	0.2287		0.2495	0.2371		0.2535	0.2455		0.2575	0.2539
LI	0.3015	0.3463	MY	0.2343	0.1819	MZ	0.2383	0.1903	M1	0.2423	0.1987	M2	0.2463	0.2071	M3	0.2503	0.2155
	0.3103	0.3415		0.2431	0.1771		0.2471	0.1855		0.2511	0.1939		0.2551	0.2023		0.2591	0.2107
	0.3063	0.3331		0.2391	0.1687		0.2431	0.1771		0.2471	0.1855		0.2511	0.1939		0.2551	0.2023
	0.2975	0.3379		0.2303	0.1735		0.2343	0.1819		0.2383	0.1903		0.2423	0.1987		0.2463	0.2071
MD	0.2903	0.2995	ME	0.2943	0.3079	MF	0.2983	0.3163	MG	0.3023	0.3247	MH	0.3063	0.3331	MI	0.3103	0.3415
	0.2991	0.2947		0.3031	0.3031		0.3071	0.3115		0.3111	0.3199		0.3151	0.3283		0.3191	0.3367
	0.2951	0.2863		0.2991	0.2947		0.3031	0.3031		0.3071	0.3115		0.3111	0.3199		0.3151	0.3283
	0.2863	0.2911		0.2903	0.2995		0.2943	0.3079		0.2983	0.3163		0.3023	0.3247		0.3063	0.3331
N8	0.2791	0.2527	N9	0.2831	0.2611	NA	0.2871	0.2695	NB	0.2911	0.2779	NC	0.2951	0.2863	ND	0.2991	0.2947
	0.2879	0.2479		0.2919	0.2563		0.2959	0.2647		0.2999	0.2731		0.3039	0.2815		0.3079	0.2899
	0.2839	0.2395		0.2879	0.2479		0.2919	0.2563		0.2959	0.2647		0.2999	0.2731		0.3039	0.2815
	0.2751	0.2443		0.2791	0.2527		0.2831	0.2611		0.2871	0.2695		0.2911	0.2779		0.2951	0.2863
O3	0.2679	0.2059	O4	0.2719	0.2143	O5	0.2759	0.2227	O6	0.2799	0.2311	O7	0.2839	0.2395	O8	0.2879	0.2479
	0.2767	0.2011		0.2807	0.2095		0.2847	0.2179		0.2887	0.2263		0.2927	0.2347		0.2967	0.2431
	0.2727	0.1927		0.2767	0.2011		0.2807	0.2095		0.2847	0.2179		0.2887	0.2263		0.2927	0.2347
	0.2639	0.1975		0.2679	0.2059		0.2719	0.2143		0.2759	0.2227		0.2799	0.2311		0.2839	0.2395
OI	0.3279	0.3319	PY	0.2607	0.1675	PZ	0.2647	0.1759	P1	0.2687	0.1843	P2	0.2727	0.1927	P3	0.2767	0.2011
	0.3367	0.3271		0.2695	0.1627		0.2735	0.1711		0.2775	0.1795		0.2815	0.1879		0.2855	0.1963
	0.3327	0.3187		0.2655	0.1543		0.2695	0.1627		0.2735	0.1711		0.2775	0.1795		0.2815	0.1879
	0.3239	0.3235		0.2567	0.1591		0.2607	0.1675		0.2647	0.1759		0.2687	0.1843		0.2727	0.1927
PD	0.3167	0.2851	PE	0.3207	0.2935	PF	0.3247	0.3019	PG	0.3287	0.3103	PH	0.3327	0.3187	PI	0.3367	0.3271
	0.3255	0.2803		0.3295	0.2887		0.3335	0.2971		0.3375	0.3055		0.3415	0.3139		0.3455	0.3223
	0.3215	0.2719		0.3255	0.2803		0.3295	0.2887		0.3335	0.2971		0.3375	0.3055		0.3415	0.3139
	0.3127	0.2767		0.3167	0.2851		0.3207	0.2935		0.3247	0.3019		0.3287	0.3103		0.3327	0.3187

Luminous Flux

Bin	Unit: lm		Bin	Unit: lm		Bin	Unit: lm	
	Min.	Max.		Min.	Max.		Min.	Max.
H85	85	90	D10	10	11	E20	20	22
H90	90	95	D11	11	12	E22	22	24
H95	95	100	D12	12	13	E24	24	26
H100	100	105	D13	13	14	E26	26	28
H105	105	110	D14	14	15	E28	28	30
H110	110	115	D15	15	16	E30	30	32
H115	115	120	D16	16	17	E32	32	34
H120	120	125	D17	17	18	E34	34	36
H125	125	130	D18	18	19	E36	36	38
H130	130	135	D19	19	20	E38	38	40
H135	135	140	D20	20	21	E40	40	42
H140	140	145	D21	21	22	E42	42	44
H145	145	150	D22	22	23	E44	44	46
H150	150	155	D23	23	24	E46	46	48
H155	155	160	D24	24	25	E48	48	50
H160	160	165	D25	25	26	E50	50	52
H165	165	170	D26	26	27	E52	52	54
H170	170	175	D27	27	28	E54	54	56
H175	175	180	D28	28	29	E56	56	58
H180	180	185	D29	29	30	E58	58	60
H185	185	190	D30	30	31	E60	60	62
H190	190	195	D31	31	32	E62	62	64
H195	195	200	-	-	-	-	-	-

Note: Tolerance of Luminous Intensity: $\pm 7\%$.

V_F (Forward Voltage Spec. Setup)

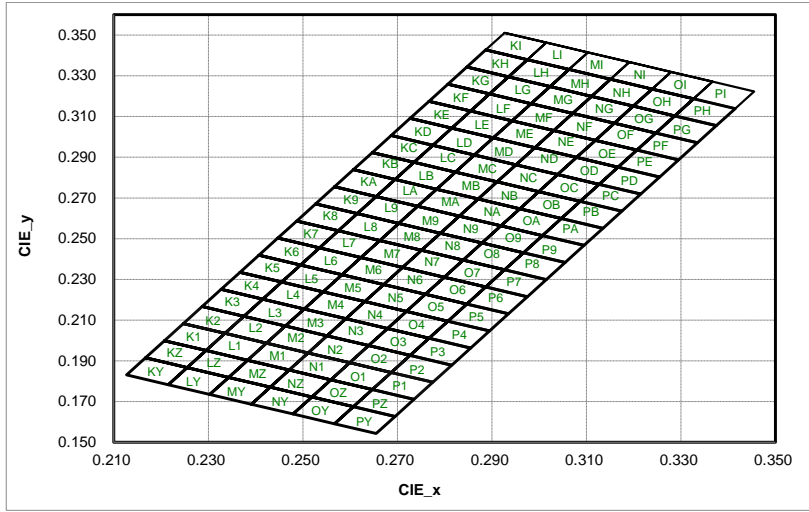
Bin	Unit: lm	
	Min.	Max.
E28	2.8	3
E30	3	3.2
E32	3.2	3.4
E34	3.4	3.6
E36	3.6	3.8
E38	3.8	4.0
D28	2.8	2.9
D29	2.9	3
D30	3	3.1
D31	3.1	3.2
D32	3.2	3.3
D33	3.3	3.4
D34	3.4	3.5
D35	3.5	3.6

Note: Tolerance of Forward Voltage: $\pm 0.05V$.

TECHNICAL DATA

SMD LED (Local Dimming) BRIGHTNESS BIN SELECTION

Chromaticity Diagram



Bin Code of Chromaticity Coordinates

Bin	CIE_x	CIE_y	Bin	CIE_x	CIE_y
KY	0.2167	0.1915	KZ	0.2207	0.1999
	0.2255	0.1867		0.2295	0.1951
	0.2215	0.1783		0.2255	0.1867
KE	0.2127	0.1831	KF	0.2167	0.1915
	0.2767	0.3175		0.2807	0.3259
	0.2855	0.3127		0.2895	0.3211
L9	0.2815	0.3043	LA	0.2855	0.3127
	0.2727	0.3091		0.2767	0.3175
	0.2655	0.2707		0.2695	0.2791
M4	0.2743	0.2659	M5	0.2783	0.2743
	0.2703	0.2575		0.2743	0.2659
	0.2615	0.2623		0.2655	0.2707
NY	0.2543	0.2239	NZ	0.2583	0.2323
	0.2631	0.2191		0.2671	0.2275
	0.2591	0.2107		0.2631	0.2191
NE	0.2503	0.2155	NF	0.2543	0.2239
	0.2431	0.1771		0.2471	0.1855
	0.2519	0.1723		0.2559	0.1807
O9	0.2479	0.1639	OA	0.2431	0.1771
	0.2391	0.1687		0.2471	0.1723
	0.3031	0.3031		0.3071	0.3115
P4	0.3119	0.2983	P5	0.3159	0.3067
	0.3079	0.2899		0.3119	0.2983
	0.2991	0.2947		0.3031	0.3031
P6	0.2919	0.2563	P7	0.2959	0.2647
	0.3007	0.2515		0.3047	0.2599
	0.2967	0.2431		0.3007	0.2515
P6	0.2879	0.2479	P8	0.2919	0.2563
	0.2807	0.2095		0.2847	0.2179
	0.2895	0.2047		0.2935	0.2131
P6	0.2855	0.1963	P9	0.2895	0.2047
	0.2767	0.2011		0.2807	0.2095

Bin Code of Chromaticity Coordinates

Bin	CIE_x	CIE_y	Bin	CIE_x	CIE_y	Bin	CIE_x	CIE_y	Bin	CIE_x	CIE_y	Bin	CIE_x	CIE_y	Bin	CIE_x	CIE_y			
K1	0.2247	0.2083	K2	0.2287	0.2167	K3	0.2327	0.2251	K4	0.2367	0.2335	K5	0.2407	0.2419	K6	0.2447	0.2503	K7	0.2487	0.2587
	0.2335	0.2035		0.2375	0.2119		0.2415	0.2203		0.2455	0.2287		0.2495	0.2371		0.2535	0.2455		0.2575	0.2539
	0.2295	0.1951		0.2335	0.2035		0.2375	0.2119		0.2415	0.2203		0.2455	0.2287		0.2495	0.2371		0.2535	0.2455
	0.2207	0.1999		0.2247	0.2083		0.2287	0.2167		0.2327	0.2251		0.2367	0.2335		0.2407	0.2419		0.2447	0.2503
KG	0.2847	0.3343	KH	0.2887	0.3427	KI	0.2927	0.3511	LY	0.2255	0.1867	LZ	0.2295	0.1951	L1	0.2335	0.2035	L2	0.2375	0.2119
	0.2935	0.3295		0.2975	0.3379		0.3015	0.3463		0.2343	0.1819		0.2383	0.1903		0.2423	0.1987		0.2463	0.2071
	0.2895	0.3211		0.2935	0.3295		0.2975	0.3379		0.2303	0.1735		0.2343	0.1819		0.2383	0.1903		0.2423	0.1987
	0.2807	0.3259		0.2847	0.3343		0.2887	0.3427		0.2215	0.1783		0.2255	0.1867		0.2295	0.1951		0.2335	0.2035
LB	0.2735	0.2875	LC	0.2775	0.2959	LD	0.2815	0.3043	LE	0.2855	0.3127	LF	0.2895	0.3211	LG	0.2935	0.3295	LH	0.2975	0.3379
	0.2823	0.2827		0.2863	0.2911		0.2903	0.2995		0.2943	0.3079		0.2983	0.3163		0.3023	0.3247		0.3063	0.3331
	0.2783	0.2743		0.2823	0.2827		0.2863	0.2911		0.2903	0.2995		0.2943	0.3079		0.2983	0.3163		0.3023	0.3247
	0.2695	0.2791		0.2735	0.2875		0.2775	0.2959		0.2815	0.3043		0.2855	0.3127		0.2895	0.3211		0.2935	0.3295
M6	0.2623	0.2407	M7	0.2663	0.2491	M8	0.2703	0.2575	M9	0.2743	0.2659	MA	0.2783	0.2743	MB	0.2823	0.2827	MC	0.2863	0.2911
	0.2711	0.2359		0.2751	0.2443		0.2791	0.2527		0.2831	0.2611		0.2871	0.2695		0.2911	0.2779		0.2951	0.2863
	0.2671	0.2275		0.2711	0.2359		0.2751	0.2443		0.2791	0.2527		0.2831	0.2611		0.2871	0.2695		0.2911	0.2779
	0.2583	0.2323		0.2623	0.2407		0.2663	0.2491		0.2703	0.2575		0.2743	0.2659		0.2783	0.2743		0.2823	0.2827
N1	0.2511	0.1939	N2	0.2551	0.2023	N3	0.2591	0.2107	N4	0.2631	0.2191	N5	0.2671	0.2275	N6	0.2711	0.2359	N7	0.2751	0.2443
	0.2599	0.1891		0.2639	0.1975		0.2679	0.2059		0.2719	0.2143		0.2759	0.2227		0.2799	0.2311		0.2839	0.2395
	0.2559	0.1807		0.2599	0.1891		0.2639	0.1975		0.2679	0.2059		0.2719	0.2143		0.2759	0.2227		0.2799	0.2311
	0.2471	0.1855		0.2511	0.1939		0.2551	0.2023		0.2591	0.2107		0.2631	0.2191		0.2671	0.2275		0.2711	0.2359
NG	0.3111	0.3199	NH	0.3151	0.3283	NI	0.3191	0.3367	OY	0.2519	0.1723	OZ	0.2559	0.1807	O1	0.2599	0.1891	O2	0.2639	0.1975
	0.3199	0.3151		0.3239	0.3235		0.3279	0.3319		0.2607	0.1675		0.2647	0.1759		0.2687	0.1843		0.2727	0.1927
	0.3159	0.3067		0.3199	0.3151		0.3239	0.3235		0.2567	0.1591		0.2607	0.1675		0.2647	0.1759		0.2687	0.1843
	0.3071	0.3115		0.3111	0.3199		0.3151	0.3283		0.2479	0.1639		0.2519	0.1723		0.2559	0.1807		0.2599	0.1891
OB	0.2999	0.2731	OC	0.3039	0.2815	OD	0.3079	0.2899	OE	0.3119	0.2983	OF	0.3159	0.3067	OG	0.3199	0.3151	OH	0.3239	0.3235
	0.3087	0.2683		0.3127	0.2767		0.3167	0.2851		0.3207	0.2935		0.3247	0.3019		0.3287	0.3103		0.3327	0.3187
	0.3047	0.2599		0.3087	0.2683		0.3127	0.2767		0.3167	0.2851		0.3207	0.2935		0.3247	0.3019		0.3287	0.3103
	0.2959	0.2647		0.2999	0.2731		0.3039	0.2815		0.3079	0.2899		0.3119	0.2983		0.3159	0.3067		0.3199	0.3151
P6	0.2887	0.2263	P7	0.2927	0.2347	P8	0.2967	0.2431	P9	0.3007	0.2515	PA	0.3047	0.2599	PB	0.3087	0.2683	PC	0.3127	0.2767
	0.2975	0.2215		0.3015	0.2299		0.3055	0.2383		0.3095	0.2467		0.3135	0.2551		0.3175	0.2635		0.3215	0.2719
	0.2935	0.2131		0.2975	0.2215		0.3015	0.2299		0.3055	0.2383		0.3095	0.2467		0.3135	0.2551		0.3175	0.2635
	0.2847	0.2179		0.2887	0.2263		0.2927	0.2347		0.2967	0.2431		0.3007	0.2515		0.3047	0.2599		0.3087	0.2683

Bin Code of Chromaticity Coordinates

Bin	CIE_x	CIE_y	Bin	CIE_x	CIE_y	Bin	CIE_x	CIE_y	Bin	CIE_x	CIE_y	Bin	CIE_x	CIE_y	Bin	CIE_x	CIE_y
K8	0.2527	0.2671	K9	0.2567	0.2755	KA	0.2607	0.2839	KB	0.2647	0.2923	KC	0.2687	0.3007	KD	0.2727	0.3091
	0.2615	0.2623		0.2655	0.2707		0.2695	0.2791		0.2735	0.2875		0.2775	0.2959		0.2815	0.3043
	0.2575	0.2539		0.2615	0.2623		0.2655	0.2707		0.2695	0.2791		0.2735	0.2875		0.2775	0.2959
	0.2487	0.2587		0.2527	0.2671		0.2567	0.2755		0.2607	0.2839		0.2647	0.2923		0.2687	0.3007
L3	0.2415	0.2203	L4	0.2455	0.2287	L5	0.2495	0.2371	L6	0.2535	0.2455	L7	0.2575	0.2539	L8	0.2615	0.2623
	0.2503	0.2155		0.2543	0.2239		0.2583	0.2323		0.2623	0.2407		0.2663	0.2491		0.2703	0.2575
	0.2463	0.2071		0.2503	0.2155		0.2543	0.2239		0.2583	0.2323		0.2623	0.2407		0.2663	0.2491
	0.2375	0.2119		0.2415	0.2203		0.2455	0.2287		0.2495	0.2371		0.2535	0.2455		0.2575	0.2539
LI	0.3015	0.3463	MY	0.2343	0.1819	MZ	0.2383	0.1903	M1	0.2423	0.1987	M2	0.2463	0.2071	M3	0.2503	0.2155
	0.3103	0.3415		0.2431	0.1771		0.2471	0.1855		0.2511	0.1939		0.2551	0.2023		0.2591	0.2107
	0.3063	0.3331		0.2391	0.1687		0.2431	0.1771		0.2471	0.1855		0.2511	0.1939		0.2551	0.2023
	0.2975	0.3379		0.2303	0.1735		0.2343	0.1819		0.2383	0.1903		0.2423	0.1987		0.2463	0.2071
MD	0.2903	0.2995	ME	0.2943	0.3079	MF	0.2983	0.3163	MG	0.3023	0.3247	MH	0.3063	0.3331	MI	0.3103	0.3415
	0.2991	0.2947		0.3031	0.3031		0.3071	0.3115		0.3111	0.3199		0.3151	0.3283		0.3191	0.3367
	0.2951	0.2863		0.2991	0.2947		0.3031	0.3031		0.3071	0.3115		0.3111	0.3199		0.3151	0.3283
	0.2863	0.2911		0.2903	0.2995		0.2943	0.3079		0.2983	0.3163		0.3023	0.3247		0.3063	0.3331
N8	0.2791	0.2527	N9	0.2831	0.2611	NA	0.2871	0.2695	NB	0.2911	0.2779	NC	0.2951	0.2863	ND	0.2991	0.2947
	0.2879	0.2479		0.2919	0.2563		0.2959	0.2647		0.2999	0.2731		0.3039	0.2815		0.3079	0.2899
	0.2839	0.2395		0.2879	0.2479		0.2919	0.2563		0.2959	0.2647		0.2999	0.2731		0.3039	0.2815
	0.2751	0.2443		0.2791	0.2527		0.2831	0.2611		0.2871	0.2695		0.2911	0.2779		0.2951	0.2863
O3	0.2679	0.2059	O4	0.2719	0.2143	O5	0.2759	0.2227	O6	0.2799	0.2311	O7	0.2839	0.2395	O8	0.2879	0.2479
	0.2767	0.2011		0.2807	0.2095		0.2847	0.2179		0.2887	0.2263		0.2927	0.2347		0.2967	0.2431
	0.2727	0.1927		0.2767	0.2011		0.2807	0.2095		0.2847	0.2179		0.2887	0.2263		0.2927	0.2347
	0.2639	0.1975		0.2679	0.2059		0.2719	0.2143		0.2759	0.2227		0.2799	0.2311		0.2839	0.2395
OI	0.3279	0.3319	PY	0.2607	0.1675	PZ	0.2647	0.1759	P1	0.2687	0.1843	P2	0.2727	0.1927	P3	0.2767	0.2011
	0.3367	0.3271		0.2695	0.1627		0.2735	0.1711		0.2775	0.1795		0.2815	0.1879		0.2855	0.1963
	0.3327	0.3187		0.2655	0.1543		0.2695	0.1627		0.2735	0.1711		0.2775	0.1795		0.2815	0.1879
	0.3239	0.3235		0.2567	0.1591		0.2607	0.1675		0.2647	0.1759		0.2687	0.1843		0.2727	0.1927
PD	0.3167	0.2851	PE	0.3207	0.2935	PF	0.3247	0.3019	PG	0.3287	0.3103	PH	0.3327	0.3187	PI	0.3367	0.3271
	0.3255	0.2803		0.3295	0.2887		0.3335	0.2971		0.3375	0.3055		0.3415	0.3139		0.3455	0.3223
	0.3215	0.2719		0.3255	0.2803		0.3295	0.2887		0.3335	0.2971		0.3375	0.3055		0.3415	0.3223
	0.3127	0.2767		0.3167	0.2851		0.3207	0.2935		0.3247	0.3019		0.3287	0.3103		0.3327	0.3187

Luminous Flux

Bin	Unit: lm	
	Min.	Max.
C0	0.00	0.50
C5	0.50	1.00
C10	1.00	1.50
C15	1.50	2.00
C20	2.00	2.50
C25	2.50	3.00
C30	3.00	3.50
C35	3.50	4.00
C40	4.00	4.50
C45	4.50	5.00
C50	5.00	5.50
C55	5.50	6.00
C60	6.00	6.50
C65	6.50	7.00
C70	7.00	7.50
C75	7.50	8.00
C80	8.00	8.50

Note: Tolerance of Luminous Intensity: ±7%.

Radiant Power

Bin	Unit: lm	
	Min.	Max.
E0	0.00	2.00
E2	2.00	4.00
E4	4.00	6.00
E6	6.00	8.00
E8	8.00	10.00
E10	10.00	12.00
E12	12.00	14.00
E14	14.00	16.00
E16	16.00	18.00
E18	18.00	20.00
E20	20.00	22.00
E22	22.00	24.00
E24	24.00	26.00
E26	26.00	28.00
E28	28.00	30.00

Note: Tolerance of Luminous Intensity: ±7%.

V_F (Forward Voltage Spec. Setup)

Bin	Unit: lm	
	Min.	Max.
D28	2.80	2.90
D29	2.90	3.00
D30	3.00	3.10
D31	3.10	3.20
D32	3.20	3.30
C270	2.70	2.75
C275	2.75	2.80
C280	2.80	2.85
C285	2.85	2.90
C290	2.90	2.95

Note: Tolerance of Forward Voltage: ±0.05

TECHNICAL DATA

LED LAMPs BRIGHTNESS BIN SELECTION

Brightness Bin Selection

Unit : mcd

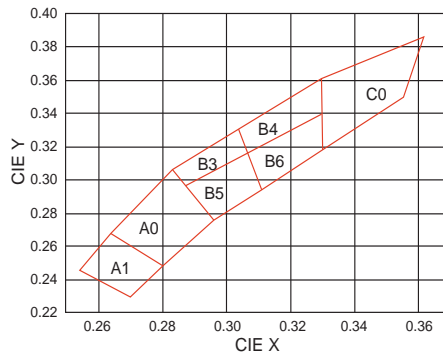
Item	Intensity I _v (mcd)	
Bin Code	Min.	Max.
a7	6.0	8.0
a6	8.0	10.0
a5	10.0	12.0
a4	12.0	15.0
a3	15.0	18.0
a2	18.0	22.0
a1	22.0	28.0
0	28.0	35.0
1	35.0	42.0
2	42.0	50.0
3	50.0	60.0
4	60.0	70.0
5	70.0	85.0
6	85.0	100
7	100	120
8	120	140
9	140	170
A	170	200
B	200	240
C	240	285
D	285	360
E	360	450
F	450	565
G	565	715
H	715	900
J	900	1,125
K	1,125	1,425
L	1,425	1,800
M	1,800	2,250
N	2,250	2,850
P	2,850	3,600
Q	3,600	4,500
R	4,500	5,650
S	5,650	7,150
T	7,150	9,000
U	9,000	11,250
V	11,250	14,250
W	14,250	18,000
X	18,000	22,500
Y	22,500	28,500
Z	28,500	36,000

Cool White / CIE Chromaticity Diagram

(I_F=20mA / T_a=25°C)

Color Ranks	CIE				
A1	X	0.255	0.264	0.280	0.270
	Y	0.245	0.267	0.248	0.230
A0	X	0.264	0.283	0.296	0.280
	Y	0.267	0.305	0.267	0.248
B3	X	0.283	0.304	0.307	0.287
	Y	0.305	0.330	0.315	0.295
B4	X	0.304	0.330	0.330	0.307
	Y	0.330	0.360	0.339	0.315
B5	X	0.287	0.307	0.311	0.296
	Y	0.295	0.315	0.294	0.276
B6	X	0.307	0.330	0.330	0.311
	Y	0.315	0.339	0.318	0.294
C0	X	0.330	0.361	0.355	0.330
	Y	0.360	0.385	0.350	0.318

Note: Measurement uncertainty of the color coordinates ±0.01.



DIGITAL DISPLAY BRIGHTNESS BIN SELECTION

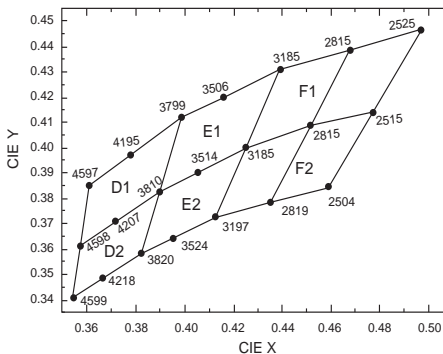
Bin Code	Brightness Range (μcd)	
	Min.	Max.
C	70	140
D	110	220
E	180	360
F	280	560
G	450	900
H	750	1200
J	1050	1680
K	1400	2300
L	2000	3200
M	2800	4500
N	4000	6400
P	5600	8900
Q	7800	12500
R	11000	17600
S	15000	24000
T	21000	34000
U	30000	48000
V	42000	67000
W	59000	94000
X	83000	133000
Y	116000	186000
Z	158800	254000

Warm White / CIE Chromaticity Diagram

(I_F=20mA / T_a=25°C)

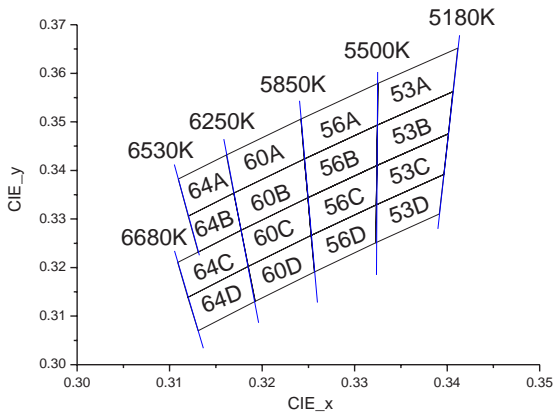
Color Ranks	CIE				
D1	X	0.357	0.361	0.398	0.389
	Y	0.361	0.385	0.411	0.382
D2	X	0.354	0.357	0.389	0.382
	Y	0.340	0.361	0.382	0.358
E1	X	0.389	0.398	0.439	0.425
	Y	0.382	0.411	0.431	0.400
E2	X	0.382	0.389	0.425	0.412
	Y	0.358	0.382	0.400	0.372
F1	X	0.425	0.439	0.497	0.477
	Y	0.400	0.431	0.466	0.413
F2	X	0.412	0.425	0.477	0.458
	Y	0.372	0.400	0.413	0.383

Note: Measurement uncertainty of the color coordinates ±0.01.

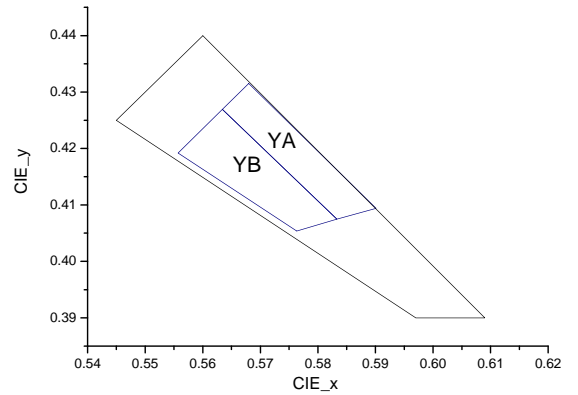


AUTOMOTIVE BIN SELECTION

Exterior White / Cool-White Bin Structure



Amber Bin Structure



Cool-White Bin Coordinates

Bin	CIE X	CIE Y	Bin	CIE X	CIE Y	Bin	CIE X	CIE Y
64A	0.3109	0.3382	60C	0.3177	0.3277	53A	0.3325	0.3579
	0.3161	0.3432		0.3249	0.3344		0.3412	0.3652
	0.3169	0.3353		0.3253	0.3266		0.3406	0.3562
	0.3120	0.3306		0.3185	0.3203		0.3325	0.3493
Reference Range: 6240~6530K			Reference Range: 5850~6240K			Reference Range: 5180~5500K		
64B	0.3120	0.3306	60D	0.3185	0.3203	53B	0.3325	0.3493
	0.3169	0.3353		0.3253	0.3266		0.3406	0.3562
	0.3177	0.3277		0.3256	0.3191		0.3401	0.3476
	0.3131	0.3232		0.3192	0.3131		0.3324	0.3410
Reference Range: 6240~6530K			Reference Range: 5850~6240K			Reference Range: 5180~5500K		
64C	0.3109	0.3211	56A	0.3242	0.3506	53C	0.3324	0.3410
	0.3177	0.3277		0.3325	0.3579		0.3401	0.3476
	0.3185	0.3203		0.3325	0.3493		0.3396	0.3392
	0.3120	0.3139		0.3246	0.3424		0.3323	0.3329
Reference Range: 6240~6680K			Reference Range: 5500~5850K			Reference Range: 5180~5500K		
64D	0.3120	0.3139	56B	0.3246	0.3424	53D	0.3323	0.3329
	0.3185	0.3203		0.3325	0.3493		0.3396	0.3392
	0.3192	0.3131		0.3324	0.3410		0.3392	0.3310
	0.3131	0.3070		0.3249	0.3344		0.3323	0.3251
Reference Range: 6240~6680K			Reference Range: 5500~5850K			Reference Range: 5180~5500K		
60A	0.3161	0.3432	56C	0.3249	0.3344			
	0.3242	0.3506		0.3324	0.3410			
	0.3246	0.3424		0.3323	0.3329			
	0.3169	0.3353		0.3253	0.3266			
Reference Range: 5850~6240K			Reference Range: 5500~5850K					
60B	0.3169	0.3353	56D	0.3253	0.3266			
	0.3246	0.3424		0.3323	0.3329			
	0.3249	0.3344		0.3323	0.3251			
	0.3177	0.3277		0.3256	0.3191			
Reference Range: 5850~6240K			Reference Range: 5500~5850K					

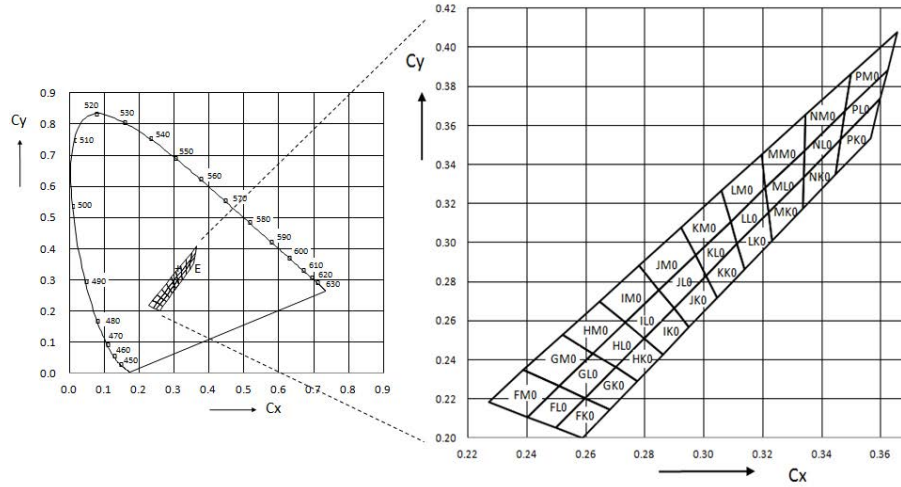
Amber Bin Coordinates

Bin	CIE X	CIE Y
YA	0.5680	0.4315
	0.5634	0.4269
	0.5833	0.4075
	0.5901	0.4094
YB	0.5763	0.4054
	0.5833	0.4075
	0.5634	0.4269
	0.5557	0.4192

TECHNICAL DATA

AUTOMOTIVE BIN SELECTION

Interior / White



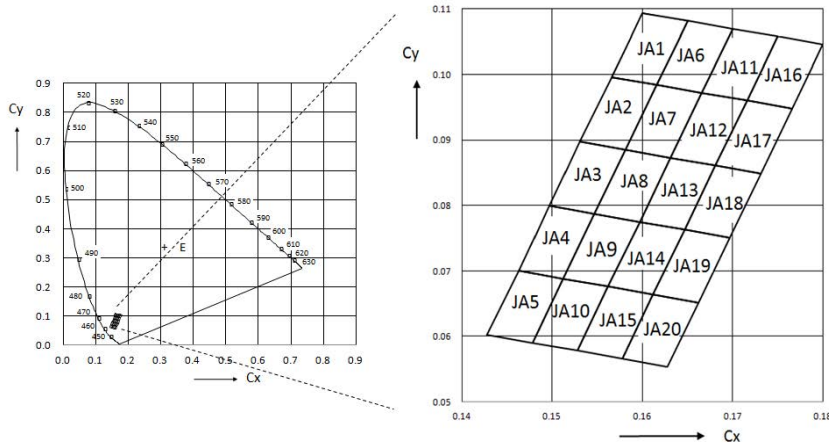
Bin Range of Chromaticity Coordinates Specifications

Bin Code	CIE X	CIE Y	Bin Code	CIE X	CIE Y	Bin Code	CIE X	CIE Y	Bin Code	CIE X	CIE Y
FK0	0.2589	0.2000	NK0	0.3339	0.3336	LL0	0.3113	0.2992	JM0	0.2848	0.2757
	0.2498	0.2053		0.3335	0.3172		0.3090	0.3108		0.2780	0.2883
	0.2597	0.2204		0.3447	0.3347		0.3209	0.3281		0.2922	0.3077
	0.2682	0.2146		0.3465	0.3530		0.3219	0.3154		0.2971	0.2935
GK0	0.2682	0.2146	PK0	0.3465	0.3530	ML0	0.3341	0.3472	KM0	0.2971	0.2935
	0.2597	0.2204		0.3447	0.3347		0.3209	0.3281		0.2922	0.3077
	0.2700	0.2361		0.3567	0.3535		0.3219	0.3154		0.3060	0.3266
	0.2775	0.2292		0.3599	0.3735		0.3339	0.3336		0.3090	0.3108
HK0	0.2775	0.2292	FL0	0.2498	0.2053	NL0	0.3341	0.3472	LM0	0.3090	0.3108
	0.2700	0.2361		0.2402	0.2108		0.3339	0.3336		0.3060	0.3266
	0.2797	0.2509		0.2509	0.2264		0.3465	0.3530		0.3196	0.3451
	0.2861	0.2427		0.2597	0.2204		0.3479	0.3673		0.3209	0.3281
IK0	0.2861	0.2427	GL0	0.2597	0.2204	PL0	0.3479	0.3673	MM0	0.3345	0.3654
	0.2797	0.2509		0.2509	0.2264		0.3465	0.3530		0.3196	0.3451
	0.2898	0.2664		0.2624	0.2431		0.3599	0.3735		0.3209	0.3281
	0.2950	0.2568		0.2700	0.2361		0.3623	0.3882		0.3341	0.3472
JK0	0.2950	0.2568	HLO	0.2700	0.2361	FM0	0.2388	0.2348	NM0	0.3345	0.3654
	0.2898	0.2664		0.2624	0.2431		0.2269	0.2185		0.3341	0.3472
	0.3007	0.2830		0.2733	0.2590		0.2402	0.2108		0.3479	0.3673
	0.3045	0.2717		0.2797	0.2509		0.2509	0.2264		0.3498	0.3863
KK0	0.3045	0.2717	ILO	0.2797	0.2509	GM0	0.2509	0.2264	PM0	0.3498	0.3863
	0.3007	0.2830		0.2733	0.2590		0.2388	0.2348		0.3479	0.3673
	0.3113	0.2992		0.2848	0.2757		0.2520	0.2527		0.3623	0.3882
	0.3138	0.2862		0.2898	0.2664		0.2624	0.2431		0.3655	0.4079
LK0	0.3138	0.2862	JLO	0.2898	0.2664	HMO	0.2624	0.2431			
	0.3113	0.2992		0.2848	0.2757		0.2530	0.2527			
	0.3219	0.3154		0.2971	0.2935		0.2646	0.2700			
	0.3231	0.3008		0.3007	0.2830		0.2733	0.2590			
MK0	0.3339	0.3336	KLO	0.3007	0.2830	IMO	0.2733	0.2590			
	0.3219	0.3154		0.2971	0.2935		0.2646	0.2700			
	0.3231	0.3008		0.3090	0.3108		0.2780	0.2883			
	0.3335	0.3172		0.3113	0.2992		0.2848	0.2757			

Notes: Tolerance of Chromaticity Coordinates: ±0.01

AUTOMOTIVE BIN SELECTION

Interior / Sky Blue

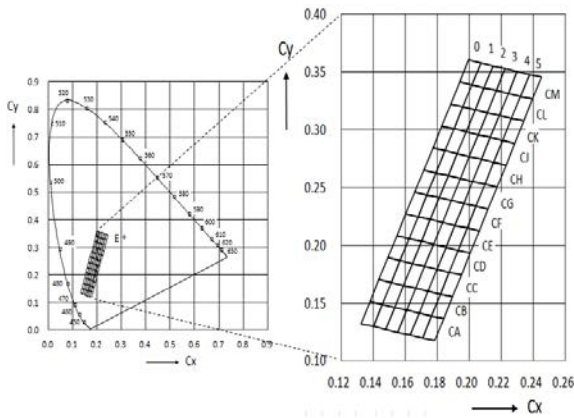


Bin Range of Chromaticity Coordinates Specifications

Bin Code	CIE X	CIE Y	Bin Code	CIE X	CIE Y	Bin Code	CIE X	CIE Y
JA1	0.1600	0.1094	JA9	0.1547	0.0787	JA17	0.1716	0.0960
	0.1650	0.1082		0.1597	0.0775		0.1766	0.0948
	0.1616	0.0984		0.1562	0.0676		0.1731	0.0849
	0.1566	0.0996		0.1512	0.0688		0.1681	0.0861
JA2	0.1566	0.0996	JA10	0.1512	0.0688	JA18	0.1681	0.0861
	0.1616	0.0984		0.1562	0.0676		0.1731	0.0849
	0.1581	0.0885		0.1528	0.0578		0.1697	0.0751
	0.1531	0.0897		0.1478	0.0590		0.1647	0.0763
JA3	0.1531	0.0897	JA11	0.1700	0.1070	JA19	0.1647	0.0763
	0.1581	0.0885		0.1750	0.1058		0.1697	0.0751
	0.1547	0.0787		0.1716	0.0960		0.1662	0.0652
	0.1497	0.0799		0.1666	0.0972		0.1612	0.0664
JA4	0.1497	0.0799	JA12	0.1666	0.0972	JA20	0.1612	0.0664
	0.1547	0.0787		0.1716	0.0960		0.1662	0.0652
	0.1512	0.0688		0.1681	0.0861		0.1628	0.0554
	0.1463	0.0700		0.1631	0.0873		0.1578	0.0566
JA5	0.1463	0.0700	JA13	0.1631	0.0873			
	0.1512	0.0688		0.1681	0.0861			
	0.1478	0.0590		0.1647	0.0763			
	0.1428	0.0602		0.1597	0.0775			
JA6	0.1650	0.1082	JA14	0.1597	0.0775			
	0.1700	0.1070		0.1647	0.0763			
	0.1666	0.0972		0.1612	0.0664			
	0.1616	0.0984		0.1562	0.0676			
JA7	0.1616	0.0984	JA15	0.1562	0.0676			
	0.1666	0.0972		0.1612	0.0664			
	0.1631	0.0873		0.1578	0.0566			
	0.1581	0.0885		0.1528	0.0578			
JA8	0.1581	0.0885	JA16	0.1750	0.1058			
	0.1631	0.0873		0.1800	0.1046			
	0.1597	0.0775		0.1766	0.0948			
	0.1547	0.0787		0.1716	0.0960			

AUTOMOTIVE BIN SELECTION

Interior / Ice Blue



Bin Range of Chromaticity Coordinates Specifications

Bin Code	CIE X	CIE Y	Bin Code	CIE X	CIE Y
CM0	0.1940	0.3415	CL1	0.1960	0.3200
	0.1996	0.3605		0.2016	0.3390
	0.2072	0.3580		0.2092	0.3366
	0.2016	0.3390		0.2036	0.3176
CM1	0.2016	0.3390	CL2	0.2036	0.3176
	0.2072	0.3580		0.2092	0.3366
	0.2148	0.3556		0.2168	0.3341
	0.2092	0.3366		0.2112	0.3151
CM2	0.2092	0.3366	CL3	0.2112	0.3151
	0.2148	0.3556		0.2168	0.3341
	0.2224	0.3531		0.2244	0.3316
	0.2168	0.3341		0.2188	0.3126
CM3	0.2168	0.3341	CL4	0.2188	0.3126
	0.2224	0.3531		0.2244	0.3316
	0.2299	0.3506		0.2319	0.3291
	0.2244	0.3316		0.2264	0.3101
CM4	0.2244	0.3316	CL5	0.2264	0.3101
	0.2299	0.3506		0.2319	0.3291
	0.2375	0.3481		0.2395	0.3267
	0.2319	0.3291		0.2340	0.3077
CM5	0.2319	0.3291	CK0	0.1828	0.3035
	0.2375	0.3481		0.1884	0.3225
	0.2451	0.3457		0.1960	0.3200
	0.2395	0.3267		0.1904	0.3010
CL0	0.1884	0.3225	CK1	0.1904	0.3010
	0.1940	0.3415		0.1960	0.3200
	0.2016	0.3390		0.2036	0.3176
	0.1960	0.3200		0.1980	0.2986

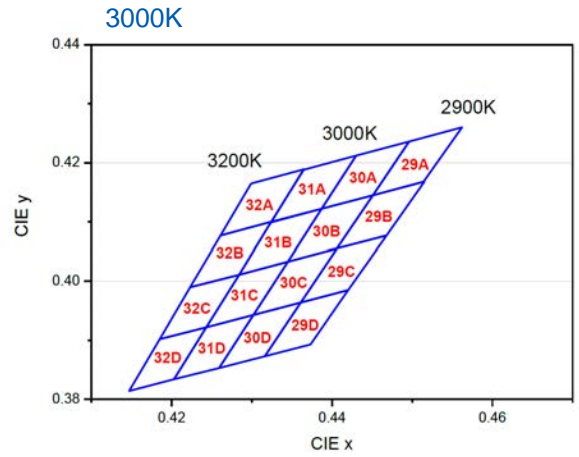
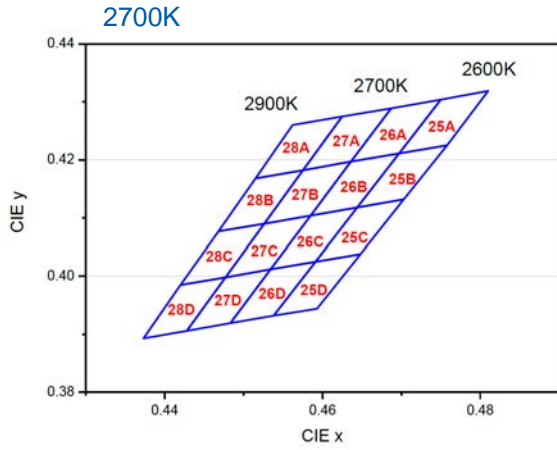
Bin Code	CIE X	CIE Y	Bin Code	CIE X	CIE Y
CK2	0.1980	0.2986	CH1	0.1792	0.2630
	0.2036	0.3176		0.1848	0.2820
	0.2112	0.3151		0.1924	0.2796
	0.2056	0.2961		0.1869	0.2606
CK3	0.2056	0.2961	CH2	0.1869	0.2606
	0.2112	0.3151		0.1924	0.2796
	0.2188	0.3126		0.2000	0.2771
	0.2132	0.2936		0.1945	0.2581
CK4	0.2132	0.2936	CH3	0.1945	0.2581
	0.2188	0.3126		0.2000	0.2771
	0.2264	0.3101		0.2077	0.2746
	0.2208	0.2911		0.2021	0.2556
CK5	0.2208	0.2911	CH4	0.2021	0.2556
	0.2264	0.3101		0.2077	0.2746
	0.2340	0.3077		0.2153	0.2721
	0.2284	0.2887		0.2097	0.2531
CJ0	0.1772	0.2845	CH5	0.2097	0.2531
	0.1828	0.3035		0.2153	0.2721
	0.1904	0.3010		0.2229	0.2697
	0.1848	0.2820		0.2173	0.2507
CJ1	0.1848	0.2820	CG0	0.1660	0.2465
	0.1904	0.3010		0.1716	0.2655
	0.1980	0.2986		0.1792	0.2630
	0.1924	0.2796		0.1736	0.2440
CJ2	0.1924	0.2796	CG1	0.1736	0.2440
	0.1980	0.2986		0.1792	0.2630
	0.2056	0.2961		0.1869	0.2606
	0.2000	0.2771		0.1813	0.2416
CJ3	0.2000	0.2771	CG2	0.1813	0.2416
	0.2056	0.2961		0.1869	0.2606
	0.2132	0.2936		0.1945	0.2581
	0.2077	0.2746		0.1889	0.2391
CJ4	0.2077	0.2746	CG3	0.1889	0.2391
	0.2132	0.2936		0.1945	0.2581
	0.2208	0.2911		0.2021	0.2556
	0.2153	0.2721		0.1965	0.2366
CJ5	0.2153	0.2721	CG4	0.1965	0.2366
	0.2208	0.2911		0.2021	0.2556
	0.2284	0.2887		0.2097	0.2531
	0.2229	0.2697		0.2043	0.2341
CH0	0.1716	0.2655	CG5	0.2043	0.2341
	0.1772	0.2845		0.2097	0.2531
	0.1848	0.2820		0.2173	0.2507
	0.1792	0.2630		0.2118	0.2317

Bin Code	CIE X	CIE Y	Bin Code	CIE X	CIE Y
CF0	0.1604	0.2275	CE5	0.1930	0.1961
	0.1660	0.2465		0.1986	0.2151
	0.1736	0.2440		0.2062	0.2127
	0.1680	0.2250		0.2007	0.1937
CF1	0.1680	0.2250	CD0	0.1492	0.1895
	0.1736	0.2440		0.1548	0.2085
	0.1813	0.2416		0.1624	0.2060
	0.1757	0.2226		0.1568	0.1870
CF2	0.1757	0.2226	CD1	0.1568	0.1870
	0.1813	0.2416		0.1624	0.2060
	0.1889	0.2391		0.1701	0.2036
	0.1833	0.2201		0.1645	0.1846
CF3	0.1833	0.2201	CD2	0.1645	0.1846
	0.1889	0.2391		0.1701	0.2036
	0.1965	0.2366		0.1777	0.2011
	0.1909	0.2176		0.1721	0.1821
CF4	0.1909	0.2176	CD3	0.1721	0.1821
	0.1965	0.2366		0.1777	0.2011
	0.2043	0.2341		0.1854	0.1986
	0.1986	0.2151		0.1798	0.1796
CF5	0.1986	0.2151	CD4	0.1798	0.1796
	0.2043	0.2341		0.1854	0.1986
	0.2118	0.2317		0.1930	0.1961
	0.2062	0.2127		0.1875	0.1771
CE0	0.1548	0.2085	CD5	0.1875	0.1771
	0.1604	0.2275		0.1930	0.1961
	0.1680	0.2250		0.2007	0.1937
	0.1624	0.2060		0.1951	0.1747
CE1	0.1624	0.2060	CC0	0.1436	0.1705
	0.1680	0.2250		0.1492	0.1895
	0.1757	0.2226		0.1568	0.1870
	0.1701	0.2036		0.1513	0.1680
CE2	0.1701	0.2036	CC1	0.1513	0.1680
	0.1757	0.2226		0.1568	0.1870
	0.1833	0.2201		0.1645	0.1846
	0.1777	0.2011		0.1589	0.1656
CE3	0.1777	0.2011	CC2	0.1589	0.1656
	0.1833	0.2201		0.1645	0.1846
	0.1909	0.2176		0.1721	0.1821
	0.1854	0.1986		0.1666	0.1631
CE4	0.1854	0.1986	CC3	0.1666	0.1631
	0.1909	0.2176		0.1721	0.1821
	0.1986	0.2151		0.1798	0.1796
	0.1930	0.1961		0.1742	0.1606

Bin Code	CIE X	CIE Y	Bin Code	CIE X	CIE Y
CC4	0.1742	0.1606	CB5	0.1764	0.1391
	0.1798	0.1796		0.1819	0.1581
	0.1875	0.1771		0.1896	0.1557
	0.1819	0.1581		0.1840	0.1367
CC5	0.1819	0.1581	CA0	0.1324	0.1325
	0.1875	0.1771		0.1380	0.1515
	0.1951	0.1747		0.1457	0.1490
	0.1896	0.1557		0.1401	0.1300
CB0	0.1380	0.1515	CA1	0.1401	0.1300
	0.1436	0.1705		0.1457	0.1490
	0.1513	0.1680		0.1533	0.1466
	0.1457	0.1490		0.1477	0.1276
CB1	0.1457	0.1490	CA2	0.1477	0.1276
	0.1513	0.1680		0.1533	0.1466
	0.1589	0.1656		0.1610	0.1441
	0.1533	0.1466		0.1554	0.1251
CB2	0.1533	0.1466	CA3	0.1554	0.1251
	0.1589	0.1656		0.1610	0.1441
	0.1666	0.1631		0.1687	0.1416
	0.1610	0.1441		0.1631	0.1226
CB3	0.1610	0.1441	CA4	0.1631	0.1226
	0.1666	0.1631		0.1687	0.1416
	0.1742	0.1606		0.1764	0.1391
	0.1687	0.1416		0.1708	0.1201
CB4	0.1687	0.1416	CA5	0.1708	0.1201
	0.1742	0.1606		0.1764	0.1391
	0.1819	0.1581		0.1840	0.1367
	0.1764	0.1391		0.1785	0.1177

AUTOMOTIVE BIN SELECTION

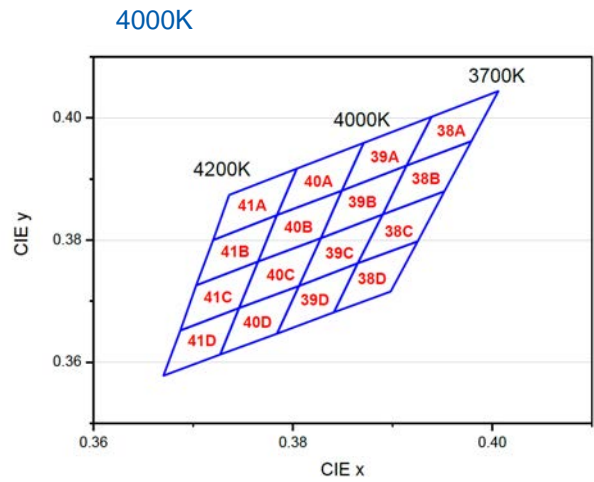
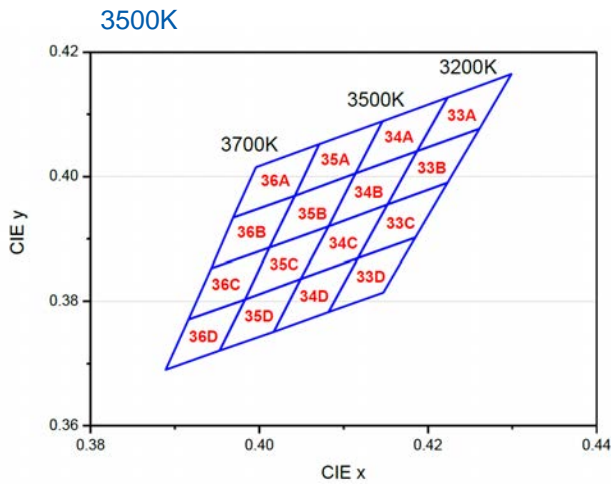
Interior / 5630/2835



Bin Range of Chromaticity Coordinates Specifications

CCT	Bin Code	CIE X	CIE Y	Bin Code	CIE X	CIE Y
2700K	25A	0.4750	0.4304	25B	0.4697	0.4211
		0.4697	0.4211		0.4644	0.4118
		0.4758	0.4225		0.4703	0.4132
		0.4810	0.4319		0.4758	0.4225
	25C	0.4644	0.4118	25D	0.4591	0.4025
		0.4591	0.4025		0.4538	0.3932
		0.4648	0.4038		0.4593	0.3944
		0.4703	0.4132		0.4648	0.4038
	26A	0.4687	0.4289	26B	0.4636	0.4197
		0.4636	0.4197		0.4585	0.4104
		0.4697	0.4211		0.4644	0.4118
		0.4750	0.4304		0.4697	0.4211
	26C	0.4585	0.4104	26D	0.4534	0.4012
		0.4534	0.4012		0.4483	0.3919
		0.4591	0.4025		0.4538	0.3932
		0.4644	0.4118		0.4591	0.4025
	27A	0.4625	0.4275	27B	0.4575	0.4182
		0.4575	0.4182		0.4526	0.4090
		0.4636	0.4197		0.4585	0.4104
		0.4687	0.4289		0.4636	0.4197
	27C	0.4526	0.4090	27D	0.4477	0.3998
		0.4477	0.3998		0.4428	0.3906
		0.4534	0.4012		0.4483	0.3919
		0.4585	0.4104		0.4534	0.4012
	28A	0.4562	0.4260	28B	0.4515	0.4168
		0.4515	0.4168		0.4468	0.4077
		0.4575	0.4182		0.4526	0.4090
		0.4625	0.4275		0.4575	0.4182
28C	0.4468	0.4077	28D	0.4420	0.3985	
	0.4420	0.3985		0.4373	0.3893	
	0.4477	0.3998		0.4428	0.3906	
	0.4526	0.4090		0.4477	0.3998	

CCT	Bin Code	CIE X	CIE Y	Bin Code	CIE X	CIE Y
3000K	29A	0.4496	0.4236	29B	0.4451	0.4145
		0.4451	0.4145		0.4406	0.4055
		0.4514	0.4168		0.4468	0.4077
		0.4562	0.4260		0.4515	0.4168
	29C	0.4406	0.4055	29D	0.4361	0.3964
		0.4361	0.3964		0.4316	0.3873
		0.4420	0.3985		0.4373	0.3893
		0.4468	0.4077		0.4420	0.3985
	30A	0.4430	0.4212	30B	0.4387	0.4122
		0.4387	0.4122		0.4345	0.4033
		0.4451	0.4145		0.4406	0.4055
		0.4496	0.4236		0.4451	0.4145
	30C	0.4345	0.4033	30D	0.4302	0.3943
		0.4302	0.3943		0.4259	0.3853
		0.4361	0.3964		0.4316	0.3873
		0.4406	0.4055		0.4361	0.3964
	31A	0.4364	0.4188	31B	0.4324	0.4100
		0.4324	0.4099		0.4284	0.4011
		0.4387	0.4122		0.4345	0.4033
		0.4430	0.4212		0.4387	0.4122
	31C	0.4284	0.4011	31D	0.4302	0.3943
		0.4243	0.3922		0.4259	0.3853
		0.4302	0.3943		0.4203	0.3834
		0.4345	0.4033		0.4243	0.3922
	32A	0.4299	0.4165	32B	0.4261	0.4077
		0.4261	0.4077		0.4223	0.3990
		0.4324	0.4100		0.4284	0.4011
		0.4365	0.4189		0.4324	0.4100
	32C	0.4223	0.3990	32D	0.4243	0.3922
		0.4185	0.3902		0.4203	0.3834
		0.4243	0.3922		0.4147	0.3814
		0.4284	0.4011		0.4185	0.3902



Bin Range of Chromaticity Coordinates Specifications

Bin Range of Chromaticity Coordinates Specifications

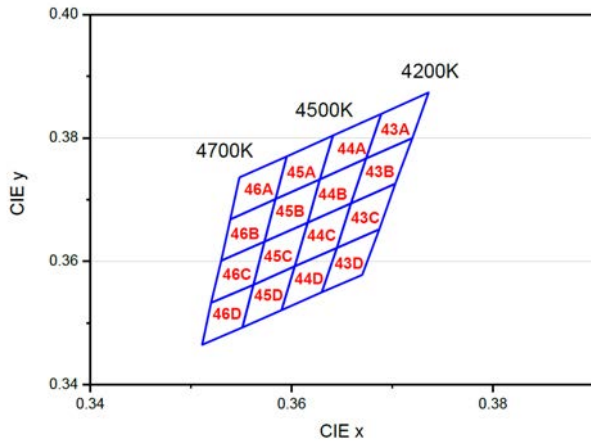
CCT	Bin Code	CIE X	CIE Y	Bin Code	CIE X	CIE Y
3500K	33A	0.4223	0.4127	33B	0.4187	0.4041
		0.4187	0.4041		0.4152	0.3955
		0.4261	0.4077		0.4223	0.3990
		0.4299	0.4165		0.4261	0.4077
	33C	0.4152	0.3955	33D	0.4117	0.3869
		0.4117	0.3869		0.4082	0.3783
		0.4185	0.3902		0.4147	0.3814
		0.4223	0.3990		0.4185	0.3902
	34A	0.4146	0.4089	34B	0.4114	0.4005
		0.4114	0.4005		0.4082	0.3920
		0.4187	0.4041		0.4152	0.3955
		0.4223	0.4127		0.4187	0.4041
	34C	0.4082	0.3920	34D	0.4049	0.3836
		0.4049	0.3836		0.4017	0.3751
		0.4117	0.3869		0.4082	0.3783
		0.4152	0.3955		0.4117	0.3869
	35A	0.4071	0.4052	35B	0.4042	0.3969
		0.4042	0.3969		0.4012	0.3886
		0.4114	0.4005		0.4082	0.3920
		0.4146	0.4089		0.4114	0.4005
	35C	0.4012	0.3886	35D	0.3983	0.3803
		0.3983	0.3803		0.3953	0.3721
		0.4049	0.3836		0.4017	0.3751
		0.4082	0.3920		0.4049	0.3836
36A	0.3996	0.4015	36B	0.3969	0.3934	
	0.3969	0.3934		0.3943	0.3853	
	0.4042	0.3969		0.4012	0.3886	
	0.4071	0.4052		0.4042	0.3969	
36C	0.3943	0.3853	36D	0.3916	0.3771	
	0.3916	0.3771		0.3889	0.3690	
	0.3983	0.3803		0.3953	0.3721	
	0.4012	0.3886		0.3983	0.3803	

CCT	Bin Code	CIE X	CIE Y	Bin Code	CIE X	CIE Y
4000K	38A	0.3939	0.4002	38B	0.3914	0.3922
		0.3914	0.3922		0.3890	0.3842
		0.3979	0.3962		0.3952	0.3880
		0.4006	0.4044		0.3979	0.3962
	38C	0.3890	0.3842	38D	0.3865	0.3762
		0.3865	0.3762		0.3841	0.3682
		0.3925	0.3798		0.3898	0.3716
		0.3952	0.3880		0.3925	0.3798
	39A	0.3871	0.3959	39B	0.3849	0.3881
		0.3849	0.3881		0.3828	0.3803
		0.3914	0.3922		0.3890	0.3842
		0.3939	0.4002		0.3914	0.3922
	39C	0.3828	0.3803	39D	0.3806	0.3725
		0.3806	0.3725		0.3784	0.3647
		0.3865	0.3762		0.3841	0.3682
		0.3890	0.3842		0.3865	0.3762
	40A	0.3804	0.3917	40B	0.3784	0.3841
		0.3784	0.3841		0.3765	0.3765
		0.3849	0.3881		0.3828	0.3803
		0.3871	0.3959		0.3849	0.3881
	40C	0.3765	0.3765	40D	0.3746	0.3689
		0.3746	0.3689		0.3727	0.3613
		0.3806	0.3725		0.3784	0.3647
		0.3828	0.3803		0.3806	0.3725
41A	0.3736	0.3874	41B	0.3720	0.3800	
	0.3720	0.3800		0.3703	0.3726	
	0.3784	0.3841		0.3765	0.3765	
	0.3804	0.3917		0.3784	0.3841	
41C	0.3703	0.3726	41D	0.3687	0.3652	
	0.3687	0.3652		0.3670	0.3578	
	0.3746	0.3689		0.3727	0.3613	
	0.3765	0.3765		0.3746	0.3689	

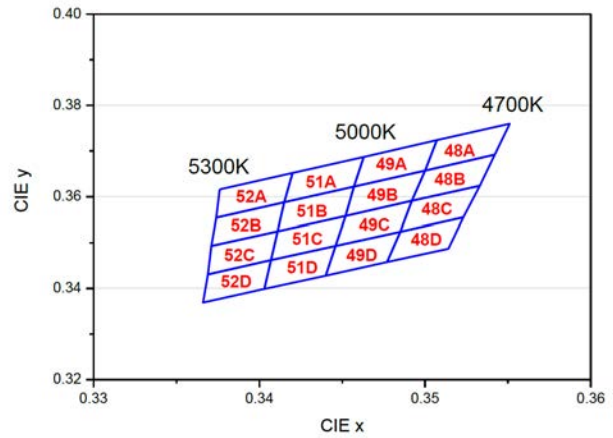
AUTOMOTIVE BIN SELECTION

Interior / 5630/2835

4500K

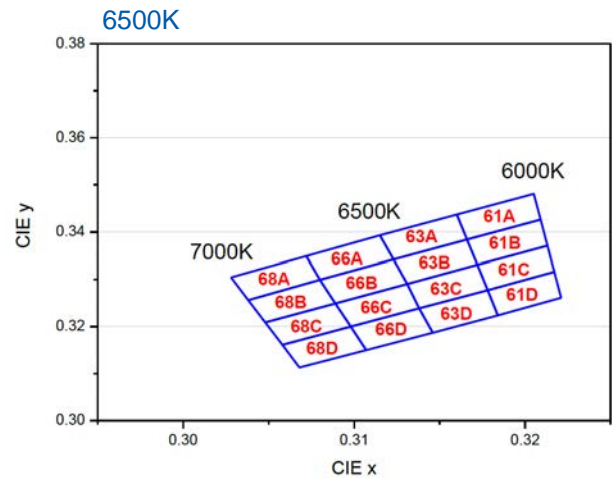
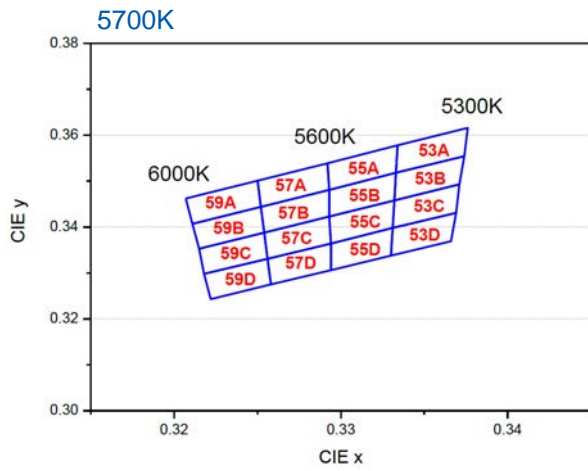


5000K



CCT	Bin Code	CIE X	CIE Y	Bin Code	CIE X	CIE Y
4500K	43A	0.3689	0.3839	43B	0.3674	0.3767
		0.3674	0.3767		0.3659	0.3694
		0.3720	0.3800		0.3703	0.3726
		0.3736	0.3874		0.3720	0.3800
	43C	0.3659	0.3694	43D	0.3645	0.3622
		0.3645	0.3622		0.3630	0.3550
		0.3687	0.3652		0.3670	0.3578
		0.3703	0.3726		0.3687	0.3652
	44A	0.3641	0.3804	44B	0.3628	0.3733
		0.3628	0.3733		0.3616	0.3663
		0.3674	0.3767		0.3659	0.3694
		0.3689	0.3839		0.3674	0.3767
	44C	0.3616	0.3663	44D	0.3603	0.3592
		0.3603	0.3592		0.3590	0.3521
		0.3645	0.3622		0.3630	0.3550
		0.3659	0.3694		0.3645	0.3622
	45A	0.3595	0.3770	45B	0.3584	0.3701
		0.3584	0.3701		0.3573	0.3632
		0.3628	0.3733		0.3616	0.3663
		0.3641	0.3804		0.3628	0.3733
	45C	0.3573	0.3632	45D	0.3562	0.3562
		0.3562	0.3562		0.3551	0.3493
		0.3603	0.3592		0.3590	0.3521
		0.3616	0.3663		0.3603	0.3592
46A	0.3548	0.3736	46B	0.3539	0.3668	
	0.3539	0.3668		0.3530	0.3601	
	0.3584	0.3701		0.3573	0.3632	
	0.3595	0.3770		0.3584	0.3701	
46C	0.3530	0.3601	46D	0.3520	0.3533	
	0.3520	0.3533		0.3511	0.3465	
	0.3562	0.3562		0.3551	0.3493	
	0.3573	0.3632		0.3562	0.3562	

CCT	Bin Code	CIE X	CIE Y	Bin Code	CIE X	CIE Y
5000K	48A	0.3507	0.3724	48B	0.3500	0.3657
		0.3500	0.3657		0.3492	0.3591
		0.3542	0.3692		0.3533	0.3624
		0.3551	0.3760		0.3542	0.3692
	48C	0.3492	0.3591	48D	0.3485	0.3524
		0.3485	0.3524		0.3477	0.3458
		0.3523	0.3555		0.3514	0.3487
		0.3533	0.3624		0.3523	0.3555
	49A	0.3463	0.3687	49B	0.3457	0.3622
		0.3457	0.3622		0.3452	0.3558
		0.3500	0.3657		0.3492	0.3591
		0.3507	0.3724		0.3500	0.3657
	49C	0.3452	0.3558	49D	0.3446	0.3493
		0.3446	0.3493		0.3440	0.3428
		0.3485	0.3524		0.3477	0.3458
		0.3492	0.3591		0.3485	0.3524
	51A	0.3420	0.3652	51B	0.3415	0.3588
		0.3415	0.3588		0.3411	0.3525
		0.3457	0.3622		0.3452	0.3558
		0.3463	0.3687		0.3457	0.3622
	51C	0.3411	0.3525	51D	0.3407	0.3462
		0.3407	0.3462		0.3403	0.3399
		0.3446	0.3493		0.3440	0.3428
		0.3452	0.3558		0.3446	0.3493
52A	0.3376	0.3616	52B	0.3374	0.3554	
	0.3374	0.3554		0.3371	0.3493	
	0.3415	0.3588		0.3411	0.3525	
	0.3420	0.3652		0.3415	0.3588	
52C	0.3371	0.3493	52D	0.3369	0.3431	
	0.3369	0.3431		0.3366	0.3369	
	0.3407	0.3462		0.3403	0.3399	
	0.3411	0.3525		0.3407	0.3462	



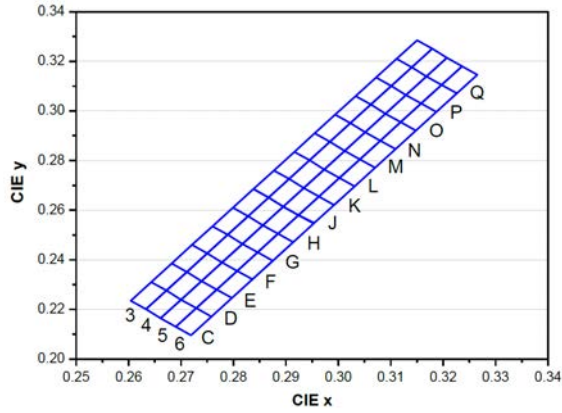
Bin Range of Chromaticity Coordinates Specifications

CCT	Bin Code	CIE X	CIE Y	Bin Code	CIE X	CIE Y
5700K	53A	0.3334	0.3578	53B	0.3333	0.3518
		0.3333	0.3518		0.3332	0.3458
		0.3374	0.3554		0.3371	0.3493
		0.3376	0.3616		0.3374	0.3554
	53C	0.3332	0.3458	53D	0.3331	0.3398
		0.3331	0.3398		0.3330	0.3338
		0.3369	0.3431		0.3366	0.3369
		0.3371	0.3493		0.3369	0.3431
	55A	0.3292	0.3539	55B	0.3293	0.3481
		0.3293	0.3481		0.3293	0.3423
		0.3333	0.3518		0.3332	0.3458
		0.3334	0.3578		0.3333	0.3518
	55C	0.3293	0.3423	55D	0.3294	0.3364
		0.3294	0.3364		0.3294	0.3306
		0.3331	0.3398		0.3330	0.3338
		0.3332	0.3458		0.3331	0.3398
	57A	0.3250	0.3501	57B	0.3252	0.3444
		0.3252	0.3444		0.3254	0.3388
		0.3293	0.3481		0.3293	0.3423
		0.3292	0.3539		0.3293	0.3481
	57C	0.3254	0.3388	57D	0.3256	0.3331
		0.3256	0.3331		0.3258	0.3275
		0.3294	0.3364		0.3294	0.3306
		0.3293	0.3423		0.3294	0.3364
	59A	0.3207	0.3462	59B	0.3211	0.3407
		0.3211	0.3407		0.3215	0.3353
		0.3252	0.3444		0.3254	0.3388
		0.3250	0.3501		0.3252	0.3444
	59C	0.3215	0.3353	59D	0.3218	0.3298
		0.3218	0.3298		0.3222	0.3243
		0.3256	0.3331		0.3258	0.3275
		0.3254	0.3388		0.3256	0.3331

CCT	Bin Code	CIE X	CIE Y	Bin Code	CIE X	CIE Y
6500K	61A	0.3160	0.3437	61B	0.3166	0.3384
		0.3166	0.3384		0.3172	0.3331
		0.3209	0.3426		0.3213	0.3371
		0.3205	0.3481		0.3209	0.3426
		0.3172	0.3331		0.3178	0.3277
	61C	0.3178	0.3277	61D	0.3184	0.3224
		0.3217	0.3316		0.3221	0.3261
		0.3213	0.3371		0.3217	0.3316
		0.3115	0.3393		0.3123	0.3342
	63A	0.3123	0.3342	63B	0.3131	0.3290
		0.3166	0.3384		0.3172	0.3331
		0.3160	0.3437		0.3166	0.3384
		0.3131	0.3290		0.3138	0.3239
	63C	0.3138	0.3239	63D	0.3146	0.3187
		0.3178	0.3277		0.3184	0.3224
		0.3172	0.3331		0.3178	0.3277
		0.3072	0.3349		0.3080	0.3299
	66A	0.3080	0.3299	66B	0.3089	0.3249
		0.3123	0.3342		0.3131	0.3290
		0.3115	0.3393		0.3123	0.3342
		0.3089	0.3249		0.3098	0.3200
	66C	0.3098	0.3200	66D	0.3107	0.3150
		0.3138	0.3239		0.3146	0.3187
		0.3131	0.3290		0.3138	0.3239
		0.3028	0.3304		0.3038	0.3256
	68A	0.3038	0.3256	68B	0.3048	0.3209
		0.3080	0.3299		0.3089	0.3249
		0.3072	0.3349		0.3080	0.3299
		0.3048	0.3209		0.3058	0.3161
	68C	0.3058	0.3161	68D	0.3068	0.3113
		0.3098	0.3200		0.3107	0.3150
		0.3089	0.3249		0.3098	0.3200

AUTOMOTIVE BIN SELECTION

Interior / Backlight



Bin Range of Chromaticity Coordinates Specifications

Bin Code	CIE X	CIE Y	Bin Code	CIE X	CIE Y
Q3	0.3140	0.3176	J3	0.2867	0.2651
	0.3111	0.3210		0.2838	0.2685
	0.3150	0.3285		0.2877	0.2760
	0.3179	0.3251		0.2906	0.2726
P3	0.3101	0.3101	Q4	0.3168	0.3139
	0.3072	0.3135		0.3140	0.3176
	0.3111	0.3210		0.3179	0.3251
	0.3140	0.3176		0.3207	0.3214
O3	0.3062	0.3026	P4	0.3129	0.3064
	0.3033	0.3060		0.3101	0.3101
	0.3072	0.3135		0.3140	0.3176
	0.3101	0.3101		0.3168	0.3139
N3	0.3023	0.2951	O4	0.3090	0.2989
	0.2994	0.2985		0.3062	0.3026
	0.3033	0.3060		0.3101	0.3101
	0.3062	0.3026		0.3129	0.3064
M3	0.2984	0.2876	N4	0.3051	0.2914
	0.2955	0.2910		0.3023	0.2951
	0.2994	0.2985		0.3062	0.3026
	0.3023	0.2951		0.3090	0.2989
L3	0.2945	0.2801	M4	0.3012	0.2839
	0.2916	0.2835		0.2984	0.2876
	0.2955	0.2910		0.3023	0.2951
	0.2984	0.2876		0.3051	0.2914
K3	0.2906	0.2726	L4	0.2973	0.2764
	0.2877	0.2760		0.2945	0.2801
	0.2916	0.2835		0.2984	0.2876
	0.2945	0.2801		0.3012	0.2839

Bin Code	CIE X	CIE Y	Bin Code	CIE X	CIE Y
K4	0.2934	0.2689	P6	0.3187	0.2996
	0.2906	0.2726		0.3158	0.3030
	0.2945	0.2801		0.3197	0.3105
	0.2973	0.2764		0.3226	0.3071
J4	0.2895	0.2614	O6	0.3148	0.2921
	0.2867	0.2651		0.3119	0.2955
	0.2906	0.2726		0.3158	0.3030
	0.2934	0.2689		0.3187	0.2996
Q5	0.3197	0.3105	N6	0.3109	0.2846
	0.3168	0.3139		0.3080	0.2880
	0.3207	0.3214		0.3119	0.2955
	0.3236	0.3180		0.3148	0.2921
P5	0.3158	0.3030	M6	0.3070	0.2771
	0.3129	0.3064		0.3041	0.2805
	0.3168	0.3139		0.3080	0.2880
	0.3197	0.3105		0.3109	0.2846
O5	0.3119	0.2955	L6	0.3031	0.2696
	0.3090	0.2989		0.3002	0.2730
	0.3129	0.3064		0.3041	0.2805
	0.3158	0.3030		0.3070	0.2771
N5	0.3080	0.2880	K6	0.2992	0.2621
	0.3051	0.2914		0.2963	0.2655
	0.3090	0.2989		0.3002	0.2730
	0.3119	0.2955		0.3031	0.2696
M5	0.3041	0.2805	J6	0.2953	0.2546
	0.3012	0.2839		0.2924	0.2580
	0.3051	0.2914		0.2963	0.2655
	0.3080	0.2880		0.2992	0.2621
L5	0.3002	0.2730	H3	0.2828	0.2576
	0.2973	0.2764		0.2799	0.2610
	0.3012	0.2839		0.2838	0.2685
	0.3041	0.2805		0.2867	0.2651
K5	0.2963	0.2655	G3	0.2789	0.2501
	0.2934	0.2689		0.2760	0.2535
	0.2973	0.2764		0.2799	0.2610
	0.3002	0.2730		0.2828	0.2576
J5	0.2924	0.2580	F3	0.2750	0.2426
	0.2895	0.2614		0.2721	0.2460
	0.2934	0.2689		0.2760	0.2535
	0.2963	0.2655		0.2789	0.2501
Q6	0.3226	0.3071	E3	0.2711	0.2351
	0.3197	0.3105		0.2682	0.2385
	0.3236	0.3180		0.2721	0.2460
	0.3265	0.3146		0.2750	0.2426

Bin Code	CIE X	CIE Y	Bin Code	CIE X	CIE Y
D3	0.2672	0.2276	E5	0.2768	0.2280
	0.2643	0.2310		0.2739	0.2314
	0.2682	0.2385		0.2778	0.2389
	0.2711	0.2351		0.2807	0.2355
C3	0.2633	0.2201	D5	0.2729	0.2205
	0.2604	0.2235		0.2700	0.2239
	0.2643	0.2310		0.2739	0.2314
	0.2672	0.2276		0.2768	0.2280
H4	0.2856	0.2539	C5	0.2690	0.2130
	0.2828	0.2576		0.2661	0.2164
	0.2867	0.2651		0.2700	0.2239
	0.2895	0.2614		0.2729	0.2205
G4	0.2817	0.2464	H6	0.2914	0.2471
	0.2789	0.2501		0.2885	0.2505
	0.2828	0.2576		0.2924	0.2580
	0.2856	0.2539		0.2953	0.2546
F4	0.2778	0.2389	G6	0.2875	0.2396
	0.2750	0.2426		0.2846	0.2430
	0.2789	0.2501		0.2885	0.2505
	0.2817	0.2464		0.2914	0.2471
E4	0.2739	0.2314	F6	0.2836	0.2321
	0.2711	0.2351		0.2807	0.2355
	0.2750	0.2426		0.2846	0.2430
	0.2778	0.2389		0.2875	0.2396
D4	0.2700	0.2239	E6	0.2797	0.2246
	0.2672	0.2276		0.2768	0.2280
	0.2711	0.2351		0.2807	0.2355
	0.2739	0.2314		0.2836	0.2321
C4	0.2661	0.2164	D6	0.2758	0.2171
	0.2633	0.2201		0.2729	0.2205
	0.2672	0.2276		0.2768	0.2280
	0.2700	0.2239		0.2797	0.2246
H5	0.2885	0.2505	C6	0.2719	0.2096
	0.2856	0.2539		0.2690	0.2130
	0.2895	0.2614		0.2729	0.2205
	0.2924	0.2580		0.2758	0.2171
G5	0.2846	0.2430			
	0.2817	0.2464			
	0.2856	0.2539			
	0.2885	0.2505			
F5	0.2807	0.2355			
	0.2778	0.2389			
	0.2817	0.2464			
	0.2846	0.2430			

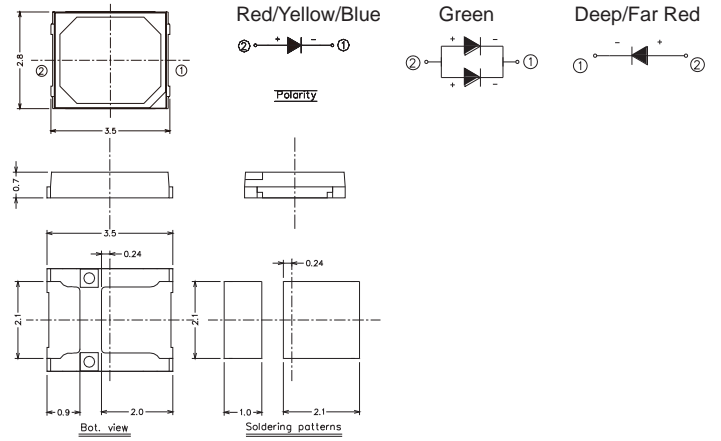
VISIBLE LED

- 52** Lighting LED
- 66** Horticulture Lighting LED
- 69** UV
- 76** Flash LED
- 82** SMD LED
- 119** LED Lamps
- 136** LED Digital Displays
- 154** Signage LED
- 161** Automotive LED
- 172** Backlighting LED

Lighting | 2835(67-xxS)



UNIT : mm

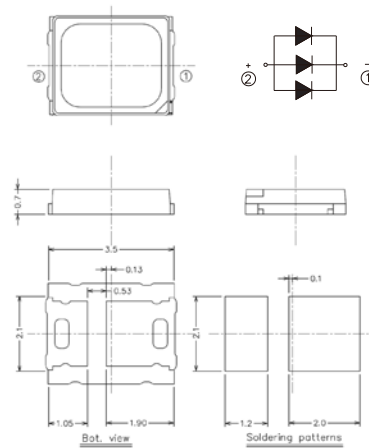


0.2W / 3V

Product	Dimension (mm)	Forward Voltage (V)	Forward Current (mA)	Color	CCT (K)	Luminous Flux(Min.)	Luminous Flux(Typ.)
67-21S/B3C-D4555D5D72936Z6/2T	2.8x3.5x0.7	2.9~3.6	60	Blue	445~455nm	2.5lm	3.25lm
G67-12S/G2C-D1525L4L82934Z6/2T	2.8x3.5x0.7	2.9~3.4	60	Green	515~525nm	13lm	15.5lm
67-21S/R2C-D2030B8L31926Z6/2T	2.8x3.5x0.7	1.9~2.6	60	Red	620~630nm	9lm	11lm
67-21S/Y2C-D8595B7L32128Z6/2T	2.8x3.5x0.7	2.1~2.8	60	Yellow	585~595nm	8.5lm	10.75lm
67-21S/NDR2C-P5080B2C12029Z6/2T	2.8x3.5x0.7	2.0~2.9	60	Deep Red	650~680nm	40mW	70mW
67-21S/NFR2C-P2050A3B21522Z6/2T	2.8x3.5x0.7	1.5~2.2	60	FarRed	720~750nm	15mW	32.5mW



UNIT : mm



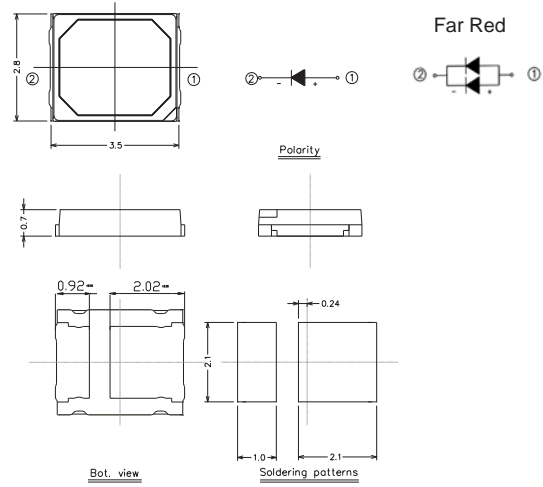
0.2W / 3V

Product	Dimension (mm)	Forward Voltage (V)	Forward Current (mA)	Color	CCT (K)	Luminous Flux(Min.)	Luminous Flux(Typ.)	CRI (Min)	Luminous Efficacy (lm/W)
67-23S/KK9C-H272930Z6/2T	2.8x3.5x0.7	2.6~3.0	60	Warm White	2700	29	31	80	190
67-23S/KK9C-H303130Z6/2T	2.8x3.5x0.7	2.6~3.0	60	Warm White	3000	31	33	80	202
67-23S/KK9C-H403430Z6/2T	2.8x3.5x0.7	2.6~3.0	60	Neutral White	4000	34	36	80	221
67-23S/KK9C-H503430Z6/2T	2.8x3.5x0.7	2.6~3.0	60	Cool White	5000	34	36	80	221
67-23S/KK9C-H573430Z6/2T	2.8x3.5x0.7	2.6~3.0	60	Cool White	5700	34	36	80	221
67-23S/KK9C-H653430Z6/2T	2.8x3.5x0.7	2.6~3.0	60	Cool White	6500	34	36	80	221

Lighting | 2835(67-xxS)



UNIT : mm

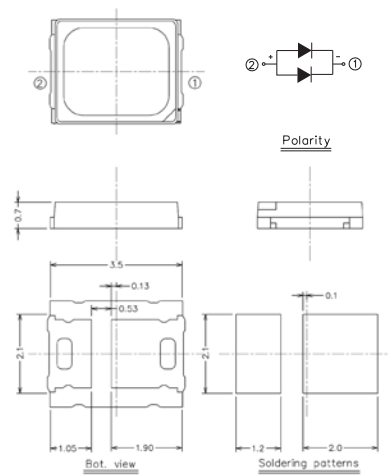


0.5W / 3V

Product	Dimension (mm)	Forward Voltage (V)	Forward Current (mA)	Color	CCT (K)	Luminous Flux(Min.)	Luminous Flux(Typ.)
67-21S/NB3C-D6575B8L52936Z15/2T	2.8x3.5x0.7	2.9~3.6	150	Blue	465~475nm	9lm	12lm
67-21S/NG3C-D2035N3PB2936Z15/2T	2.8x3.5x0.7	2.9~3.6	150	Green	520~535nm	24lm	34.5lm
G67-21S/R3C-D1530L6M41829Z15/2T	2.8x3.5x0.7	1.8~2.9	150	Red	615~630nm	15lm	19.5lm
67-21S/NY3C-D9000L2L81828Z15/2T	2.8x3.5x0.7	1.8~2.8	150	Yellow	590~600nm	11lm	19lm
67-21S/NDR3C-P5080C1C51827Z15/2T	2.8x3.5x0.7	1.8~2.7	150	Deep Red	650~680nm	80mW	130mW
67-22ST/NFR3C-P2050C1C41827Z15/2T	2.8x3.5x0.7	1.8~2.7	150	FarRed	720~750nm	80mW	130mW



UNIT : mm



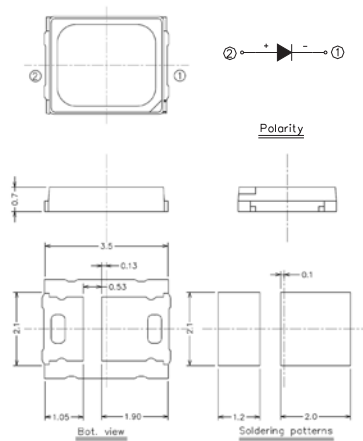
0.5W / 3V

Product	Dimension (mm)	Forward Voltage (V)	Forward Current (mA)	Color	CCT (K)	Luminous Flux (Min.)	Luminous Flux (Typ.)	CRI (Min.)	Luminous Efficacy (lm/W)
67-22ST/KKX-N277530Z15/2T	2.8x3.5x0.7	2.7~3.0	150	Warm White	2700	75	79	80	192
67-22ST/KKX-N308030Z15/2T	2.8x3.5x0.7	2.7~3.0	150	Warm White	3000	80	84	80	204
67-22ST/KKX-N358030Z15/2T	2.8x3.5x0.7	2.7~3.0	150	Warm White	3500	80	84	80	204
67-22ST/KKX-N408530Z15/2T	2.8x3.5x0.7	2.7~3.0	150	Neutral White	4000	85	89	80	216
67-22ST/KKX-N508530Z15/2T	2.8x3.5x0.7	2.7~3.0	150	Cool White	5000	85	89	80	216
67-22ST/KKX-N578530Z15/2T	2.8x3.5x0.7	2.7~3.0	150	Cool White	5700	85	89	80	216

Lighting | 2835(67-xxS)



UNIT : mm

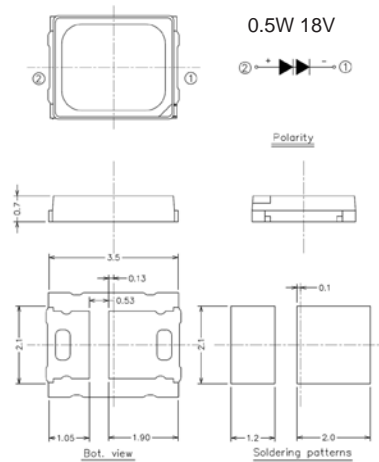


0.5W / 9V

Product	Size (LxWxHmm)	Forward Voltage (V)	Forward Current (mA)	Color	CCT (K)	Luminous Flux (Min.)	Luminous Flux (Typ.)	CRI (min.)	Luminous Efficacy (lm/W)
67-21ST/KK6C-H277096Z6/2T	2.8x3.5x0.7	8.7~9.6	60	● Warm White	2700	70	74	80	133
67-21ST/KK6C-H307396Z6/2T	2.8x3.5x0.7	8.7~9.6	60	● Warm White	3000	73	77	80	138
67-21ST/KK6C-H407696Z6/2T	2.8x3.5x0.7	8.7~9.6	60	○ Neutral White	4000	76	80	80	143
67-21ST/KK6C-H507696Z6/2T	2.8x3.5x0.7	8.7~9.6	60	○ Cool White	5000	76	80	80	143
67-21ST/KK6C-H577696Z6/2T	2.8x3.5x0.7	8.7~9.6	60	○ Cool White	5700	76	80	80	143
67-21ST/KK6C-H657696Z6/2T	2.8x3.5x0.7	8.7~9.6	60	○ Cool White	6500	76	80	80	143



UNIT : mm



0.5W 18V

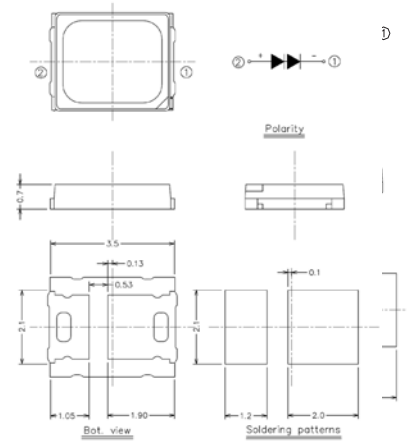
0.5W / 18V

Product	Size (LxWxHmm)	Forward Voltage (V)	Forward Current (mA)	Color	CCT (K)	Luminous Flux (Min.)	Luminous Flux (Typ.)	CRI (min.)	Luminous Efficacy (lm/W)
67-22ST/KKE-N2765200Z3/SZM/2T	2.8x3.5x0.7	17~19	30	● Warm White	2700	65	71	80	128
67-22ST/KKE-N3065200Z3/SZM/2T	2.8x3.5x0.7	17~19	30	● Warm White	3000	65	71	80	128
67-22ST/KKE-N4070200Z3/SZM/2T	2.8x3.5x0.7	17~19	30	○ Neutral White	4000	70	76	80	137
67-22ST/KKE-N5070200Z3/SZM/2T	2.8x3.5x0.7	17~19	30	○ Cool White	5000	70	76	80	137
67-22ST/KKE-N6570200Z3/SZM/2T	2.8x3.5x0.7	17~19	30	○ Cool White	6500	70	76	80	137

Lighting | 2835(67-xxS)



UNIT : mm

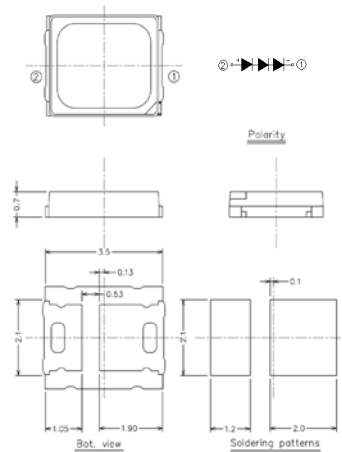


1W / 6V

Product	Size (LxWxHmm)	Forward Voltage (V)	Forward Current (mA)	Color	CCT (K)	Luminous Flux (Min.)	Luminous Flux (Typ.)	CRI (min.)	Luminous Efficacy (lm/W)
67-22ST/KKE-N2710368Z15/SZM/2T	2.8x3.5x0.7	6.0~6.8	100	● Warm White	2700	103	109	80	114
67-22ST/KKE-N3010768Z15/SZM/2T	2.8x3.5x0.7	6.0~6.8	100	● Warm White	3000	107	113	80	118
67-22ST/KKE-N4011568Z15/SZM/2T	2.8x3.5x0.7	6.0~6.8	100	○ Neutral White	4000	115	121	80	126
67-22ST/KKE-N5011568Z15/SZM/2T	2.8x3.5x0.7	6.0~6.8	100	○ Cool White	5000	115	121	80	126
67-22ST/KKE-N5711568Z15/SZM/2T	2.8x3.5x0.7	6.0~6.8	150	○ Cool White	5700	115	121	80	126
67-22ST/KKE-N6511568Z15/SZM/2T	2.8x3.5x0.7	6.0~6.8	100	○ Cool White	6500	115	121	80	126



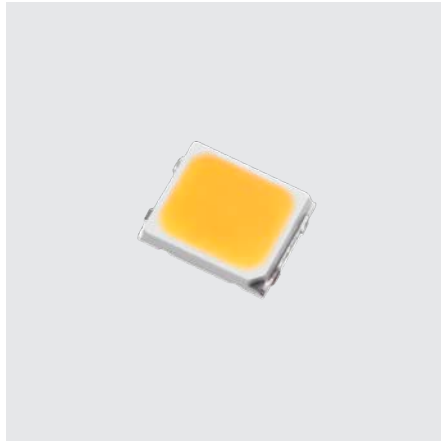
UNIT : mm



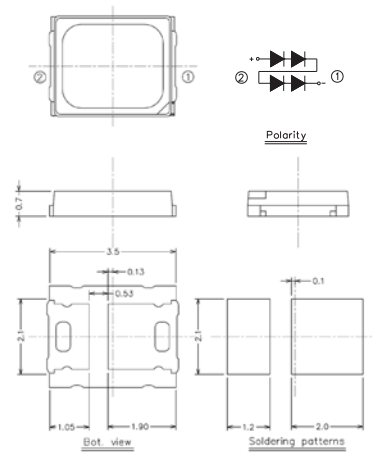
1W / 9V

Product	Size (LxWxHmm)	Forward Voltage (V)	Forward Current (mA)	Color	CCT (K)	Luminous Flux (Min.)	Luminous Flux (Typ.)	CRI (min.)	Luminous Efficacy (lm/W)
67-23ST/KKE-N2713596Z10/2T	2.8x3.5x0.7	8.7~9.6	100	● Warm White	2700K	135	141	80	152
67-23ST/KKE-N3014096Z10/2T	2.8x3.5x0.7	8.7~9.6	100	● Warm White	3000K	140	146	80	157
67-23ST/KKE-N4014596Z10/2T	2.8x3.5x0.7	8.7~9.6	100	○ Neutral White	4000K	145	151	80	162
67-23ST/KKE-N5014596Z10/2T	2.8x3.5x0.7	8.7~9.6	100	○ Cool White	5000K	145	151	80	162
67-23ST/KKE-N5714596Z10/2T	2.8x3.5x0.7	8.7~9.6	100	○ Cool White	5700K	145	151	80	162
67-23ST/KKE-N6514596Z10/2T	2.8x3.5x0.7	8.7~9.6	100	○ Cool White	6500K	145	151	80	162

Lighting | 2835(67-xxS)



UNIT : mm

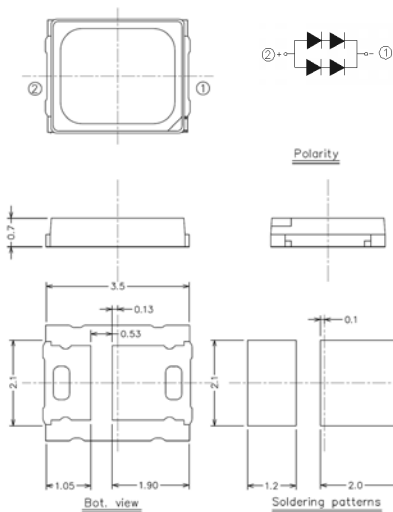


1W / 12V

Product	Size (LxWxHmm)	Forward Voltage (V)	Forward Current (mA)	Color	CCT (K)	Luminous Flux (Min.)	Luminous Flux (Typ.)	CRI (min.)	Luminous Efficacy (lm/W)
67-24ST/KKE-N27130130Z8/SZM/2T	2.8x3.5x0.7	11.0~13.0	80	● Warm White	2700K	130	136	80	142
67-24ST/KKE-N30135130Z8/SZM/2T	2.8x3.5x0.7	11.0~13.0	80	● Warm White	3000K	135	141	80	147
67-24ST/KKE-N35135130Z8/SZM/2T	2.8x3.5x0.7	11.0~13.0	80	● Warm White	3500K	135	141	80	147
67-24ST/KKE-N40140130Z8/SZM/2T	2.8x3.5x0.7	11.0~13.0	80	○ Neutral White	4000K	140	146	80	152
67-24ST/KKE-N50140130Z8/SZM/2T	2.8x3.5x0.7	11.0~13.0	80	○ Cool White	5000K	140	146	80	152
67-24ST/KKE-N65140130Z8/SZM/2T	2.8x3.5x0.7	11.0~13.0	80	○ Cool White	6500K	140	146	80	152



UNIT : mm



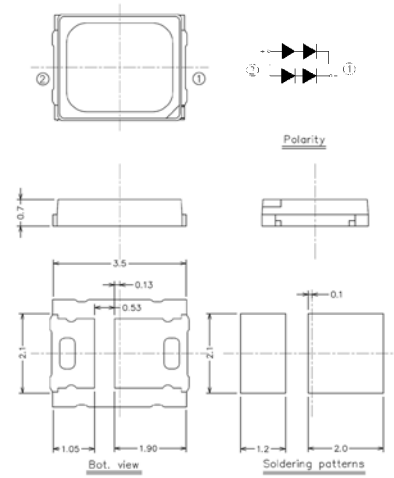
1W / 18V

Product	Size (LxWxHmm)	Forward Voltage (V)	Forward Current (mA)	Color	CCT (K)	Luminous Flux (Min.)	Luminous Flux (Typ.)	CRI (min.)	Luminous Efficacy (lm/W)
67-24ST/KKE-N20100190Z5/SZM/2T	2.8x3.5x0.7	17~19	50	● Warm White	2000	100	106	80	121
67-24ST/KKE-N22110190Z5/SZM/2T	2.8x3.5x0.7	17~19	50	● Warm White	2200	110	116	80	133
67-24ST/KKE-N27125190Z5/SZM/2T	2.8x3.5x0.7	17~19	50	● Warm White	2700	125	131	80	150
67-24ST/KKE-N30130190Z5/SZM/2T	2.8x3.5x0.7	17~19	50	● Warm White	3000	130	136	80	155
67-24ST/KKE-N35130190Z5/SZM/2T	2.8x3.5x0.7	17~19	50	○ Neutral White	4000	130	136	80	155
67-24ST/KKE-N40135190Z5/SZM/2T	2.8x3.5x0.7	17~19	50	○ Cool White	5000	135	141	80	161
67-24ST/KKE-N50135190Z5/SZM/2T	2.8x3.5x0.7	17~19	50	○ Cool White	5700	135	141	80	161
67-24ST/KKE-N65135190Z5/SZM/2T	2.8x3.5x0.7	17~19	50	○ Cool White	6500	135	141	80	161

Lighting | 2835(67-xxS)



UNIT : mm

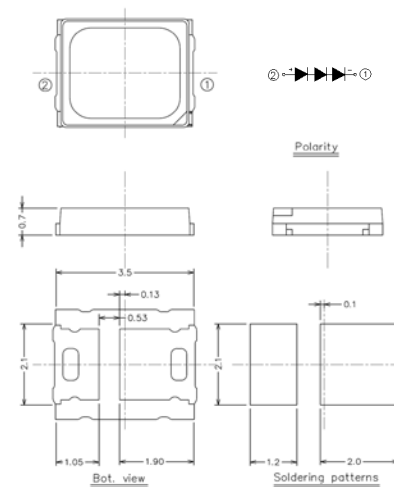


1W / 36V

Product	Size (LxWxHmm)	Forward Voltage (V)	Forward Current (mA)	Color	CCT (K)	Luminous Flux (Min.)	Luminous Flux (Typ.)	CRI (min.)	Luminous Efficacy (lm/W)
67-24ST/KKE-N20100380U2/SZM/2T	2.8x3.5x0.7	34~38	25	● Warm White	2000	100	106	80	123
67-24ST/KKE-N22105380U2/SZM/2T	2.8x3.5x0.7	34~38	25	● Warm White	2200	105	111	80	129
67-24ST/KKE-N27120380U2/SZM/2T	2.8x3.5x0.7	34~38	25	● Warm White	2700	120	126	80	146
67-24ST/KKE-N30125380U2/SZM/2T	2.8x3.5x0.7	34~38	25	● Warm White	3000	125	131	80	152
67-24ST/KKE-N40130380U2/SZM/2T	2.8x3.5x0.7	34~38	25	○ Neutral White	4000	130	136	80	158
67-24ST/KKE-N50130380U2/SZM/2T	2.8x3.5x0.7	34~38	25	○ Cool White	5000	130	136	80	158
67-24ST/KKE-N65130380U2/SZM/2T	2.8x3.5x0.7	34~38	25	○ Cool White	5700	130	136	80	158



UNIT : mm



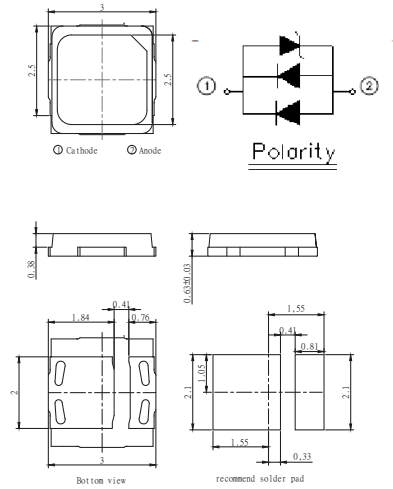
1W / 54V

Product	Size (LxWxHmm)	Forward Voltage (V)	Forward Current (mA)	Color	CCT (K)	Luminous Flux (Min.)	Luminous Flux (Typ.)	CRI (min.)	Luminous Efficacy (lm/W)
67-23ST/KKE-N27120550Z2/SZM/2T	2.8x3.5x0.7	50~55	20	● Warm White	2700	120	126	80	117
67-23ST/KKE-N30125550Z2/SZM/2T	2.8x3.5x0.7	50~55	20	● Warm White	3000	125	131	80	121
67-23ST/KKE-N40130550Z2/SZM/2T	2.8x3.5x0.7	50~55	20	○ Neutral White	4000	130	136	80	126
67-23ST/KKE-N50130550Z2/SZM/2T	2.8x3.5x0.7	50~55	20	○ Cool White	5000	130	136	80	126
67-23ST/KKE-N65130550Z2/SZM/2T	2.8x3.5x0.7	50~55	20	○ Cool White	6500	130	136	80	126

Lighting | 3030(XI3030)



UNIT : mm

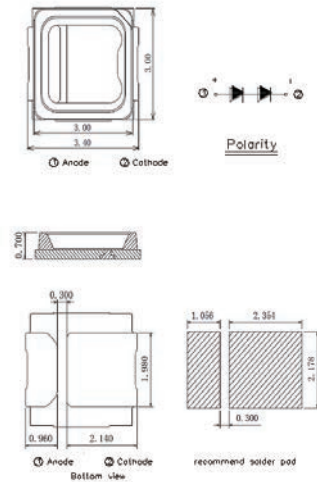


0.2W / 3V

Product	Size (LxWxHmm)	Forward Voltage (V)	Forward Current (mA)	Color	CCT (K)	Luminous Flux (Min.)	Luminous Flux (Typ.)	CRI (min.)	Luminous Efficacy (lm/W)
GXI3030P/KK6C-M2020V4X026292U6/2T	3.0x3.0x0.63	2.8~3.2	65	● Warm White	2000	24	26	80	146
GXI3030P/KK6C-M2727X2X826292U6/2T	3.0x3.0x0.63	2.8~3.2	65	● Warm White	2700	32	34	80	190
GXI3030P/KK6C-M3030X3X926292U6/2T	3.0x3.0x0.63	2.8~3.2	65	● Warm White	3000	33	35	80	196
GXI3030P/KK6C-M3535X3X926292U6/2T	3.0x3.0x0.63	2.8~3.2	65	● Warm White	3500	33	35	80	196
GXI3030P/KK6C-M5050X5Y126292U6/2T	3.0x3.0x0.63	2.8~3.2	65	○ Cool White	5000	35	37	80	208
GXI3030P/KK6C-M6262X4Y026292U6/2T	3.0x3.0x0.63	2.8~3.2	65	○ Cool White	6200	34	36	80	202
GXI3030P/KK6C-M6565X4Y026292U6/2T	3.0x3.0x0.63	2.8~3.2	65	○ Cool White	6500	34	36	80	202



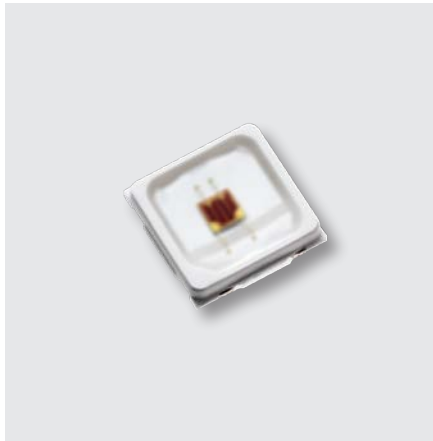
UNIT : mm



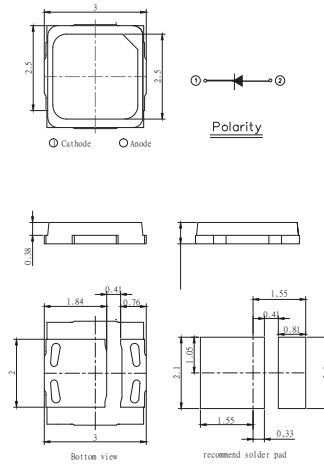
1W / 6V

Product	Size (LxWxHmm)	Forward Voltage (V)	Forward Current (mA)	Color	CCT (K)	Luminous Flux (Min.)	Luminous Flux (Typ.)	CRI (min.)	Luminous Efficacy (lm/W)
XI3030P/KK7C-H2713566Z15/2N	3.0x3.0x0.63	5.6~6.6	150	● Warm White	2700	133	139	80	148
XI3030P/KK7C-H3014066Z15/2N	3.0x3.0x0.63	5.6~6.6	150	● Warm White	3000	138	145	80	153
XI3030P/KK7C-H4014566Z15/2N	3.0x3.0x0.63	5.6~6.6	150	○ Neutral White	4000	143	150	80	158
XI3030P/KK7C-H5014566Z15/2N	3.0x3.0x0.63	5.6~6.6	150	○ Cool White	5000	143	150	80	158
XI3030P/KK7C-H5714566Z15/2N	3.0x3.0x0.63	5.6~6.6	150	○ Cool White	5700	143	150	80	158
XI3030P/KK7C-H6514566Z15/2N	3.0x3.0x0.63	5.6~6.6	150	○ Cool White	6500	143	150	80	158

Lighting | 3030(XI3030)



UNIT : mm



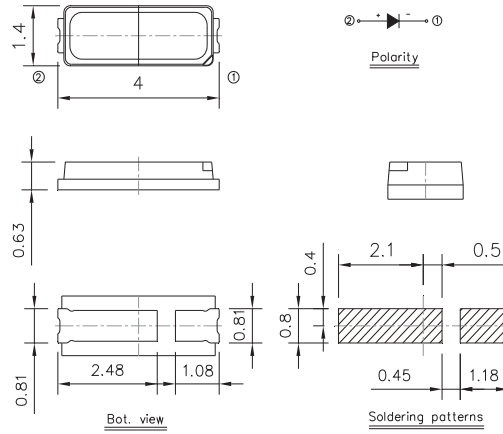
0.5W

Product	Size (LxWxHmm)	Forward Voltage (V)	Forward Current (mA)	Color	Peak Wavelength (nm)	Min. Luminous Flux(lm) Radiometric Power(mW)
XI3030P/G3C-D1530P3R128371Z15/2N	3.0x3.0x0.63	2.8-3.7	150	● Green	515-530	33 lm
XI3030P/O3C-D0520N3PB15281Z15/2N	3.0x3.0x0.63	1.5-2.8	150	● Orange	605-620	24 lm
XI3030P/R3C-D1530L7N315281Z15/2N	3.0x3.0x0.63	1.5-2.8	150	● Red	615-630	16 lm
XI3030P/B3C-D5060T2T625312Z15/2N	3.0x3.0x0.63	2.5-3.1	150	● Royal Blue	450-460	190 mW
XI3030P/D3C-P4575S1S621271Z15/2N	3.0x3.0x0.63	2.1-2.7	150	● Deep Red	645-675	100 mW
XI3030P/F3C-P1545R5S115251Z15/2N	3.0x3.0x0.63	1.4-2.5	150	● Far Red	715-745	70 mW

Lighting | 4014(50-217S)



UNIT : mm

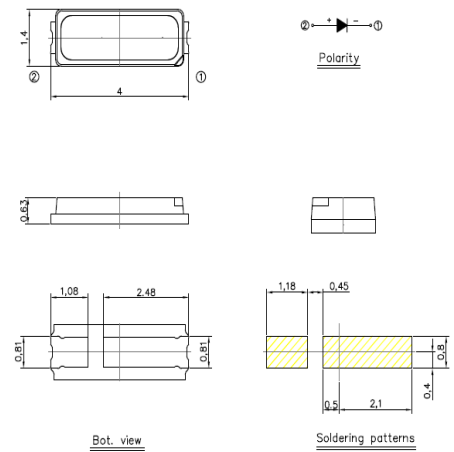


0.2W / 3V

Product	Size (LxWxHmm)	Forward Voltage (V)	Forward Current (mA)	Color	CCT (K)	Luminous Flux (Min.)	Luminous Flux (Typ.)	CRI (min.)	Luminous Efficacy (lm/W)
50-217S/KKE-B303032Z6/SZM/2T	4.0x1.4x0.63	2.8~3.2	60	● Warm White	3000	30	32	80	172
50-217S/KKE-B353032Z6/SZM/2T	4.0x1.4x0.63	2.8~3.2	60	● Warm White	3500	30	32	80	172
50-217S/KKE-B403232Z6/SZM/2T	4.0x1.4x0.63	2.8~3.2	60	○ Neutral White	4000	32	34	80	183
50-217S/KKE-B433232Z6/SZM/2T	4.0x1.4x0.63	2.8~3.2	60	○ Neutral White	4300	32	34	80	183
50-217S/KKE-B503232Z6/SZM/2T	4.0x1.4x0.63	2.8~3.2	60	○ Cool White	5000	32	34	80	183
50-217S/KKE-B633232Z6/SZM/2T	4.0x1.4x0.63	2.8~3.2	60	○ Cool White	5700	32	34	80	183
50-217S/KKE-B653232Z6/SZM/2T	4.0x1.4x0.63	2.8~3.2	60	○ Cool White	6500	32	34	80	183



UNIT : mm



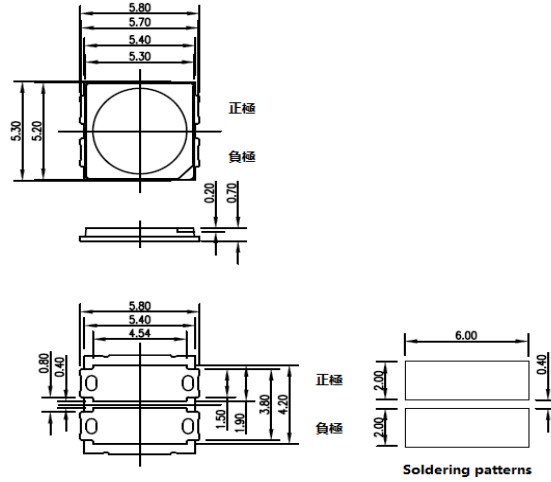
0.5W / 3V

Product	Size (LxWxHmm)	Forward Voltage (V)	Forward Current (mA)	Color	CCT (K)	Luminous Flux (Min.)	Luminous Flux (Typ.)	CRI (min.)	Luminous Efficacy (lm/W)
50-217ST/KK5C-H275534Z15/2T	4.0x1.4x0.63	2.8~3.4	150	● Warm White	2700K	55	57	80	127
50-217ST/KK5C-H306034Z15/2T	4.0x1.4x0.63	2.8~3.4	150	● Warm White	3000K	60	62	80	138
50-217ST/KK5C-H406534Z15/2T	4.0x1.4x0.63	2.8~3.4	150	○ Neutral White	4000K	65	67	80	149
50-217ST/KK5C-H506534Z15/2T	4.0x1.4x0.63	2.8~3.4	150	○ Cool White	5000K	65	67	80	149
50-217ST/KK5C-H576534Z15/2T	4.0x1.4x0.63	2.8~3.4	150	○ Cool White	5700K	65	67	80	149
50-217ST/KK5C-H656534Z15/2T	4.0x1.4x0.63	2.8~3.4	150	○ Cool White	6500K	65	67	80	149

Lighting | 5050(XI5050)



UNIT : mm



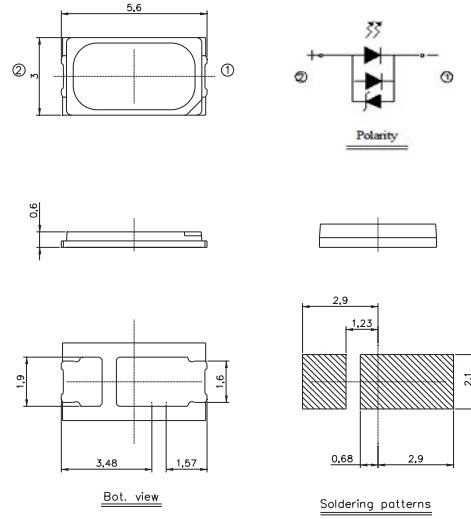
5W / 6V

Product	Size (LxWxHmm)	Forward Voltage (V)	Forward Current (mA)	Color	CCT (K)	Luminous Flux (Min.)	Luminous Flux (Typ.)	CRI (min.)	Luminous Efficacy (lm/W)
XI5050/LK5C-H4069072Z75/2N	5.3x5.8x0.7	6.0~7.2	750	○Neutral White	4000	690	740	70	145
XI5050/LK5C-H5069072Z75/2N	5.3x5.8x0.7	6.0~7.2	750	○Cool White	5000	690	740	70	145
XI5050/LK5C-H6569072Z75/2N	5.3x5.8x0.7	6.0~7.2	750	○Cool White	6500	690	740	70	145

Lighting | 5630(62-xx7)



UNIT : mm

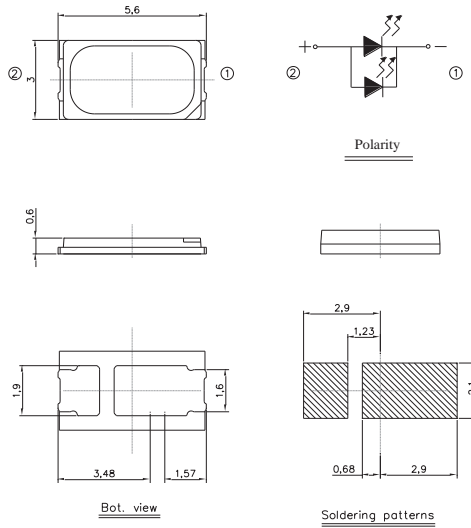


0.2W / 3V

Product	Size (LxWxHmm)	Forward Voltage (V)	Forward Current (mA)	Color	CCT (K)	Luminous Flux (Min.)	Luminous Flux (Typ.)	CRI (min.)	Luminous Efficacy (lm/W)
62-127ET/KKX-M2727X5Y12529U6/2T	5.6x3.0x0.6	2.5~2.9	65	● Warm White	2700	35	37	80	208
62-127ET/KKX-M3030X6Y22529U6/2T	5.6x3.0x0.6	2.5~2.9	65	● Warm White	3000	36	38	80	213
62-127ET/KKX-M3535X6Y22529U6/2T	5.6x3.0x0.6	2.5~2.9	65	● Warm White	3500	36	38	80	213
62-127ET/KKX-M4040X8Y42529U6/2T	5.6x3.0x0.6	2.5~2.9	65	○ Neutral White	4000	38	40	80	225
62-127ET/KKX-M5050X8Y42529U6/2T	5.6x3.0x0.6	2.5~2.9	65	○ Cool White	5000	38	40	80	225
62-127ET/KKX-M5757X8Y42529U6/2T	5.6x3.0x0.6	2.5~2.9	65	○ Cool White	5700	38	40	80	225
62-127ET/KKX-M6565X8Y42529U6/2T	5.6x3.0x0.6	2.5~2.9	65	○ Cool White	6500	38	40	80	225



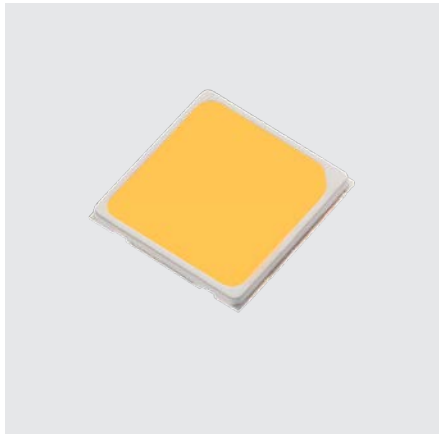
UNIT : mm



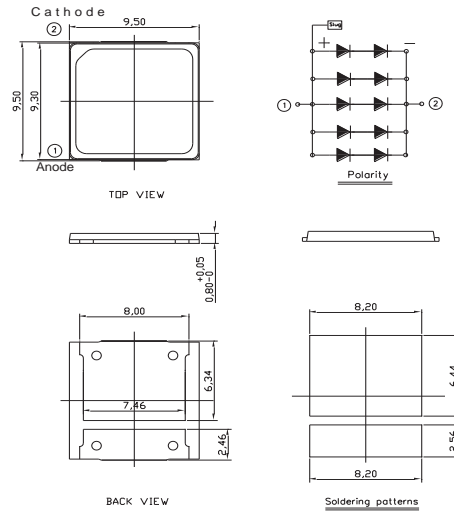
0.5W / 3V

Product	Size (LxWxHmm)	Forward Voltage (V)	Forward Current (mA)	Color	CCT (K)	Luminous Flux (Min.)	Luminous Flux (Typ.)	CRI (min.)	Luminous Efficacy (lm/W)
62-227ET/RK6C-M2727R3R52731Z15/2T	5.6x3.0x0.6	2.7~3.1	150	● Warm White	2700	60	62	90	143
62-227ET/RK6C-M3030R4R52731Z15/2T	5.6x3.0x0.6	2.7~3.1	150	● Warm White	3000	65	67	90	154
62-227ET/RK6C-M3535R4R52731Z15/2T	5.6x3.0x0.6	2.7~3.1	150	● Warm White	3500	65	67	90	154
62-227ET/RK6C-M4040R4R52731Z15/2T	5.6x3.0x0.6	2.7~3.1	150	○ Neutral White	4000	65	67	90	154
62-227ET/RK6C-M5050R5R62731Z15/2T	5.6x3.0x0.6	2.7~3.1	150	○ Cool White	5000	70	72	90	166

Lighting | 9595(XI9595)



UNIT : mm



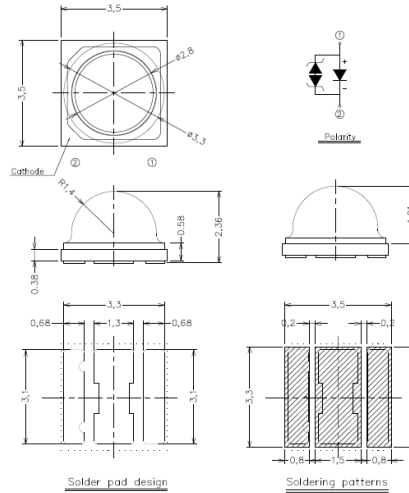
3W / 20V

Product	Size (LxWxHmm)	Forward Voltage (V)	Forward Current (mA)	Color	CCT (K)	Luminous Flux (Min.)	Luminous Flux (Typ.)	CRI (min.)	Luminous Efficacy (lm/W)
XI9595-LM307N3-18303-000P(ELRD)	9.5x9.5x0.8	15~20	183	● Warm White	3000	500	525	70	187
XI9595-GT507N3-18303-000P(ELRD)	9.5x9.5x0.8	15~20	183	○ Cool White	5000	500	550	70	187

Lighting | 3535



UNIT : mm



1W / 3V

Product	Size (LxWxHmm)	Forward Voltage(V)	Forward Current(mA)	Color	CCT (K)	Luminous Flux (Min.)	Luminous Flux (Typ.)	CRI (min.)
ELSWF-JJ1C1-6FPGS-C6500	3.5x3.5x2.36	2.65~3.55	350	○ Cool White	6500	158	169	70
ELSWF-JJ1C1-6FPGS-C5700	3.5x3.5x2.36	2.65~3.55	350	○ Cool White	5700	158	169	70
ELSWF-JJ1C1-6FPGS-C5000	3.5x3.5x2.36	2.65~3.55	350	○ Cool White	5000	158	169	70
ELSWF-J71N1-6FPGS-C4000	3.5x3.5x2.36	2.65~3.55	350	○ Neutral White	4000	145	155	70
ELSWF-J61M1-6FPGS-C3500	3.5x3.5x2.36	2.65~3.55	350	● Warm White	3500	135	146	70
ELSWF-J61M1-6FPGS-C3000	3.5x3.5x2.36	2.65~3.55	350	● Warm White	3000	135	146	70
ELSWF-J61M1-6FPGS-C2700	3.5x3.5x2.36	2.65~3.55	350	● Warm White	2700	135	146	70

• Above spec is based on 85°C

3W / 3V

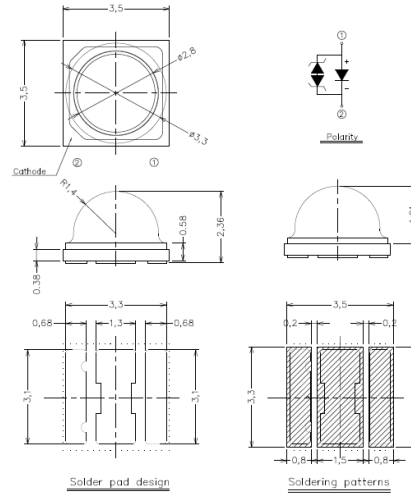
Product	Size (LxWxHmm)	Forward Voltage(V)	Forward Current(mA)	Color	CCT (K)	Luminous Flux (Min.)	Luminous Flux (Typ.)	CRI (min.)
ELSWF-JJ1C1-6FPGS-C6500	3.5x3.5x2.36	2.65~3.85	700	○ Cool White	6500	283	304	70
ELSWF-JJ1C1-6FPGS-C5700	3.5x3.5x2.36	2.65~3.85	700	○ Cool White	5700	283	304	70
ELSWF-JJ1C1-6FPGS-C5000	3.5x3.5x2.36	2.65~3.85	700	○ Cool White	5000	283	304	70
ELSWF-J71N1-6FPGS-C4000	3.5x3.5x2.36	2.65~3.85	700	○ Neutral White	4000	260	278	70
ELSWF-J61M1-6FPGS-C3500	3.5x3.5x2.36	2.65~3.85	700	● Warm White	3500	243	262	70
ELSWF-J61M1-6FPGS-C3000	3.5x3.5x2.36	2.65~3.85	700	● Warm White	3000	243	262	70
ELSWF-J61M1-6FPGS-C2700	3.5x3.5x2.36	2.65~3.85	700	● Warm White	2700	243	262	70

• Above spec is based on 85°C

Lighting | 3535



UNIT : mm

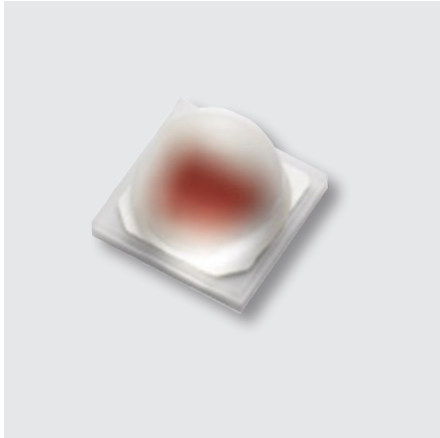


4W / 3V

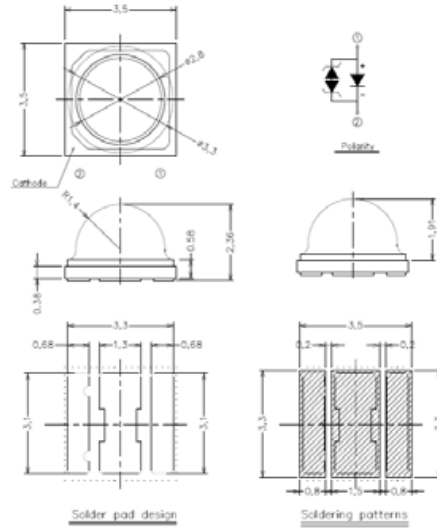
Product	Size (LxWxHmm)	Forward Voltage(V)	Forward Current(mA)	Color	CCT (K)	Luminous Flux (Min.)	Luminous Flux (Typ.)	CRI (min.)
ELSWF-JJ1C1-6FPGS-C6500	3.5x3.5x2.36	2.95~4.15	1000	○ Cool White	6500	378	406	70
ELSWF-JJ1C1-6FPGS-C5700	3.5x3.5x2.36	2.95~4.15	1000	○ Cool White	5700	378	406	70
ELSWF-JJ1C1-6FPGS-C5000	3.5x3.5x2.36	2.95~4.15	1000	○ Cool White	5000	378	406	70
ELSWF-J71N1-6FPGS-C4000	3.5x3.5x2.36	2.95~4.15	1000	○ Neutral White	4000	345	371	70
ELSWF-J61M1-6FPGS-C3500	3.5x3.5x2.36	2.95~4.15	1000	● Warm White	3500	323	348	70
ELSWF-J61M1-6FPGS-C3000	3.5x3.5x2.36	2.95~4.15	1000	● Warm White	3000	323	348	70
ELSWF-J61M1-6FPGS-C2700	3.5x3.5x2.36	2.95~4.15	1000	● Warm White	2700	323	348	70

• Above spec is based on 85°C

Horticulture Lighting | Ceramics



UNIT : mm



3535

Product	Dimension (mm)	Power (W)	Forward Voltage (V)	Forward Current (mA)	View Angle	Color	Peak Wavelength (nm)	Radiometric Power (mW) Typ.	PPF (umol/s)	PPE (umol/J)
ELSW-Q91E1-0LPNM-AD3D8	3.5x3.5x2.03	1	1.75~2.95	350	120°	● Far Red	715~745	275	1.51	2.1
ELSW-R21E1-0EPNM-AD3D8(OR)	3.5x3.5x2.03	1	1.75~2.95	350	120°	● Deep Red	645~675	430	2.53	3.21
ELSWF-R61L1-6FPNM-CB4B6	3.5x3.5x2.03	1	2.65~3.85	350	120°	● Royal Blue	445~460	600	2.47	2.20

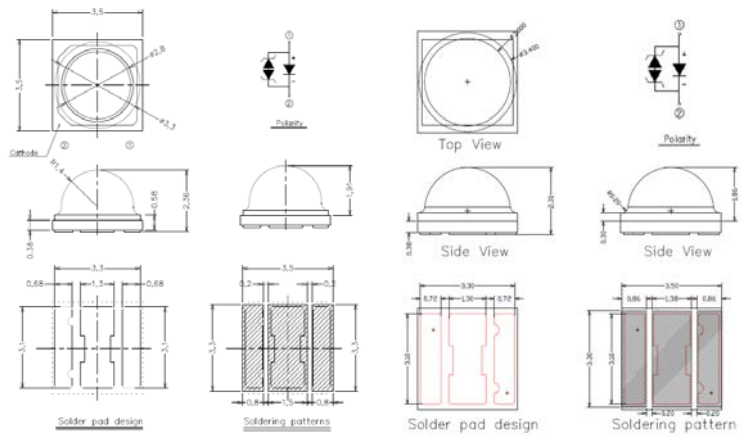
• Above spec is based on 85°C



UNIT : mm

ELSWF

ELSWNS



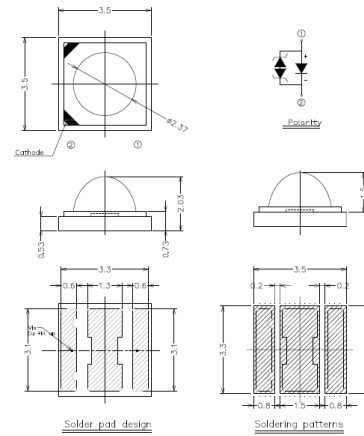
3535

Product	Dimension (mm)	Power (W)	Forward Voltage (V)	Forward Current (mA)	View Angle	Color	Peak Wavelength (nm)	Radiometric Power (mW) Typ.	PPF (umol/s)	PPE (umol/J)
ELSWF-S41L2-6FPNM-DB4B6	35x35x23.6	2	3.25	700	120°	● Royal Blue	445~460	1500	5.28	2.51
ELSWNS-S11E2-6VPNM-AD308	35x35x23.1	2	2.22	700	120°	● Deep Red	645~675	1070	5.98	3.85

Horticulture Lighting | Ceramics



UNIT : mm

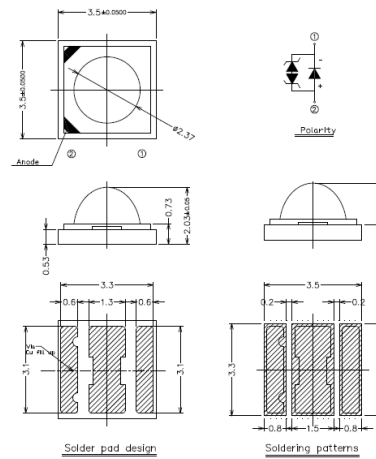


3535

Product	Dimension (mm)	Power (W)	Forward Voltage (V)	Forward Current (mA)	View Angle	Color	Peak Wavelength (nm)	Radiometric Power (mW) Typ.
ELSW-J31G1-0LPNM-CG1G2	3.5x3.5x2.03	1	2.65-3.85	350	120°	● Green	520~530	120
ELSW-J31G1-0LPNM-CG2G3	3.5x3.5x2.03	1	2.65-3.85	350	120°	● Green	525~535	120
ELSW-E91B1-0LPNM-CB7B8	3.5x3.5x2.03	1	2.65-3.85	350	120°	● Blue	460~470	23
ELSW-F11B1-0LPNM-CB8B9	3.5x3.5x2.03	1	2.65-3.85	350	120°	● Blue	465~475	27
ELSW-F21B1-0LPNM-CBABB	3.5x3.5x2.03	1	2.65-3.85	350	120°	● Blue	475~485	33



UNIT : mm

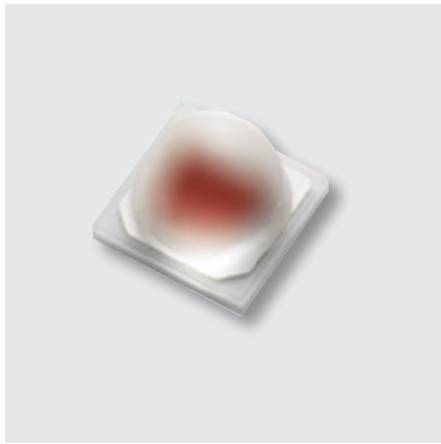


3535

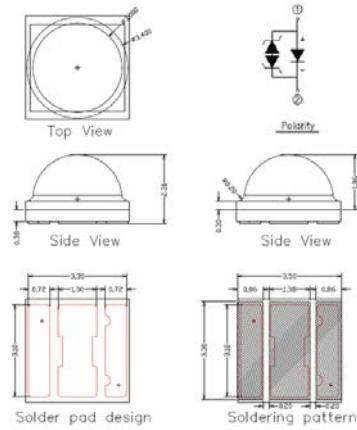
Product	Dimension (mm)	Power (W)	Forward Voltage (V)	Forward Current (mA)	View Angle	Color	Peak Wavelength (nm)	Radiometric Power (mW) Typ.
ELSW-F61R1-0PPNM-AR5R6	3.5x3.5x2.03	1	1.75-2.95	350	120°	● Red	620~630	60
ELSW-F91O1-0EPNM-AR3R4	3.5x3.5x2.03	1	1.75-2.95	350	120°	● Orange	610~620	90
ELSW-F61Y1-0EPNM-AA3A6	3.5x3.5x2.03	1	1.75-2.95	350	120°	● Amber	585~595	60

Horticulture Lighting

Horticulture Lighting | Ceramics



UNIT : mm



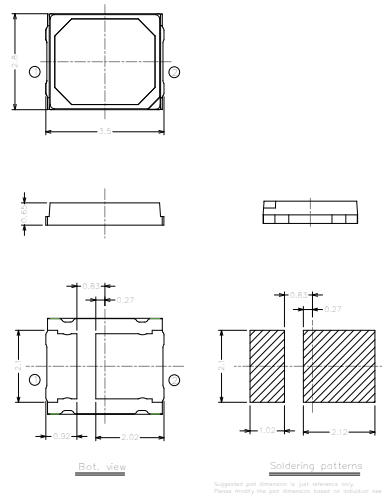
3535

Product	Dimension (mm)	Power (W)	Forward Voltage (V)	Forward Current (mA)	View Angle	Color	Peak Wavelength (nm)	Radiometric Power (mW) Typ.	PPF (umol/s)	PPE (umol/J)
HPNS3535CZ0112- NDR457570S1X24700- 4H	3.5x3.5x2.3	2	2.15	700	120°	● Deep Red	655~665	1250	6.1	4.1

Horticulture Lighting | PC Red 2835



UNIT : mm



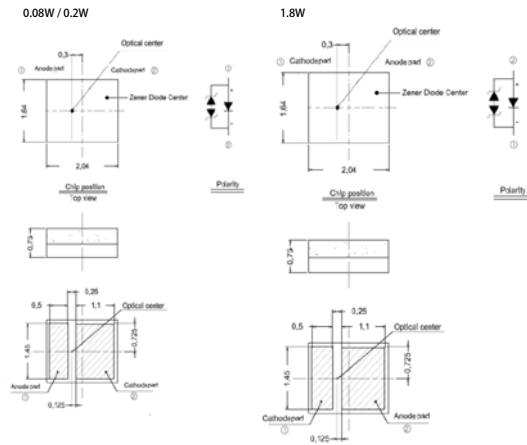
2835

Product	Dimension (mm)	Power (W)	Forward Voltage (V)	Forward Current (mA)	View Angle	Color	Peak Wavelength (nm)	Radiometric Power (mW) Typ.	PPF (umol/s)	PPE (umol/J)
67-21S/DRKC-P4060C4D12834Z15/2T(TJB)	2.8x3.5x0.7	0.5	3	150	120°	● Deep Red	640~660	163	0.88	1.81

UV | UVA



UNIT : mm



2016

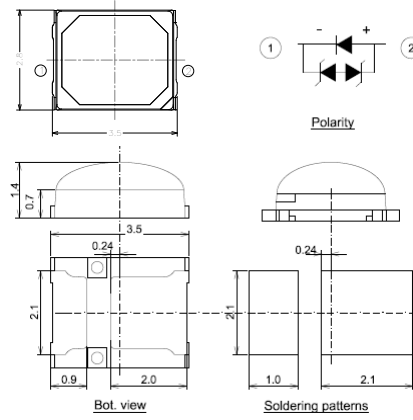
Product	Dimension (mm)	Power (W)	Forward Voltage (V)	View Angle	Forward Current (mA)	Peak Wavelength (nm)	Radiant Flux(mW) Typ.
ELUA2016OGB-P6070Q43040020-VA1M	2.04x1.64x0.75	0.08	3.0~4.0	120°	20	360~370	20
ELUA2016OGB-P8090Q53040020-VA1M	2.04x1.64x0.75	0.08	3.0~4.0	120°	20	380~390	25
ELUA2016OGB-P9000Q53040020-VA1M	2.04x1.64x0.75	0.08	3.0~4.0	120°	20	390~400	25
ELUA2016OGB-P0010Q53040020-VA1M	2.04x1.64x0.75	0.08	3.0~4.0	120°	20	400~410	25
ELUA2016OGB-P6070R13040060-V21M	2.04x1.64x0.75	0.2	3.0~4.0	120°	60	360~370	70
ELUA2016OGB-P8090R43040060-V21M	2.04x1.64x0.75	0.2	3.0~4.0	120°	60	380~390	70
ELUA2016OGB-P9000R53040060-V21M	2.04x1.64x0.75	0.2	3.0~4.0	120°	60	390~400	70
ELUA2016OGB-P0010R53040060-V21M	2.04x1.64x0.75	0.2	3.0~4.0	120°	60	400~410	65
ELUA2016OGB-P6070T53240500-VD1M	2.04x1.64x0.75	1.8	3.2~4.0	120°	500	360~370	500
ELUA2016OGB-P8090T73240500-VD1M	2.04x1.64x0.75	1.8	3.2~4.0	120°	500	380~390	600
ELUA2016OGB-P9000T73240500-VD1M	2.04x1.64x0.75	1.8	3.2~4.0	120°	500	390~400	600
ELUA2016OGB-P0010T73240500-VD1M	2.04x1.64x0.75	1.8	3.2~4.0	120°	500	400~410	600



UV | UVA



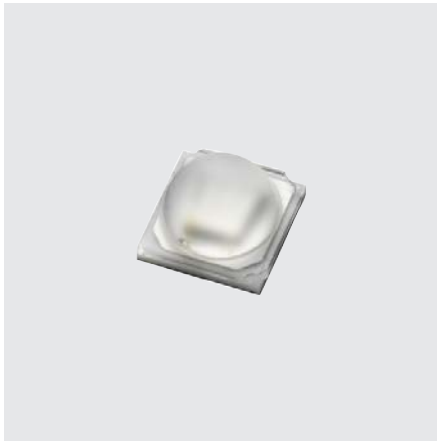
UNIT : mm



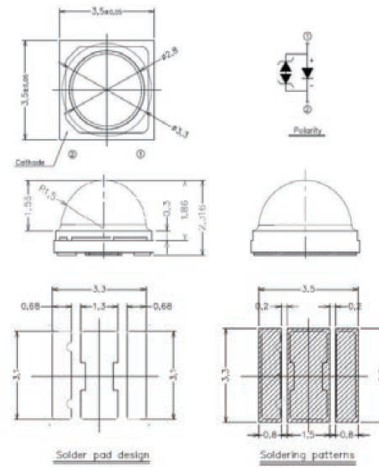
2835

Product	Dimension (mm)	Power (W)	Forward Voltage (V)	View Angle	Forward Current (mA)	Peak Wavelength (nm)	Radiant Flux(mW) Typ.
ELUA2835TG0-P6070Q53040020-VA1D	2.8 x 3.4 x 1.4	0.07	3.0~4.0	100°	20	360~370	35
ELUA2835TG0-P8090Q53040020-VA1D	2.8 x 3.4 x 1.4	0.07	3.0~4.0	100°	20	380~390	35
ELUA2835TG0-P9000Q53040020-VA1D	2.8 x 3.4 x 1.4	0.07	3.0~4.0	100°	20	390~400	35
ELUA2835TG0-P0010Q53040020-VA1D	2.8 x 3.4 x 1.4	0.07	3.0~4.0	100°	20	400~410	35
ELUA2835TG0-P6070R53040060-VA1D	2.8 x 3.4 x 1.4	0.2	3.0~4.0	100°	60	360~370	90
ELUA2835TG0-P8090R53040060-VA1D	2.8 x 3.4 x 1.4	0.2	3.0~4.0	100°	60	380~390	90
ELUA2835TG0-P9000R53040060-VA1D	2.8 x 3.4 x 1.4	0.2	3.0~4.0	100°	60	390~400	90
ELUA2835TG0-P0010R53040060-VA1D	2.8 x 3.4 x 1.4	0.2	3.0~4.0	100°	60	400~410	90
ELUA2835TG0-P6070SC13040150-VA1D	2.8 x 3.4 x 1.4	0.5	3.0~4.0	100°	150	360~370	230
ELUA2835TG0-P9000SC13040150-VA1D	2.8 x 3.4 x 1.4	0.5	3.0~4.0	100°	150	390~400	230

UV | UVA



UNIT : mm



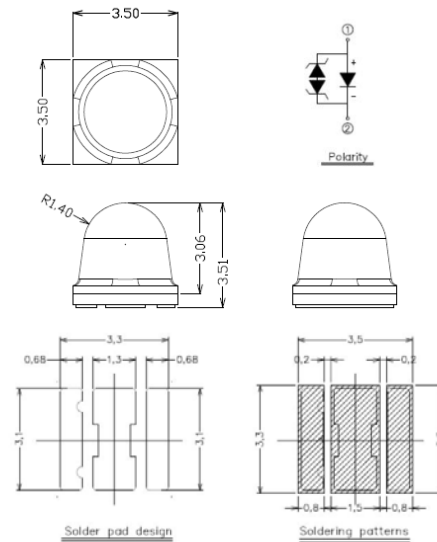
3535

Product	Dimension (mm)	Power (W)	Forward Voltage (V)	View Angle	Forward Current (mA)	Peak Wavelength (nm)	Radiant Flux(mW) Typ.
ELUA3535OGB-P6070U23240500-VD1M	3.5x3.5x2.35	1.8	3.5	120°	500	360~370	1000
ELUA3535OGB-P8090U23240500-VD1M	3.5x3.5x2.35	1.8	3.5	120°	500	380~390	1000
ELUA3535OGB-P9000U23240500-VD1M	3.5x3.5x2.35	1.8	3.5	120°	500	390~400	1000
ELUA3535OGB-P0010U23240500-VD1M	3.5x3.5x2.35	1.8	3.5	120°	500	400~410	1000

UV



UNIT : mm



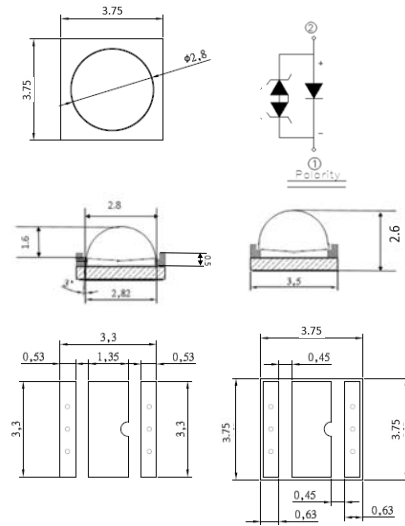
3535

Product	Dimension (mm)	Power (W)	Forward Voltage (V)	View Angle	Forward Current (mA)	Peak Wavelength (nm)	Radiant Flux(mW) Typ.
ELUA3535OG5-P6070U13240500-VD1M	3.5x3.5x3.51	4	3.2~4.0	50°	500	360~370	900
ELUA3535OG5-P8090U23240500-VD1M	3.5x3.5x3.51	4	3.2~4.0	50°	500	380~390	1000
ELUA3535OG5-P9000U23240500-VD1M	3.5x3.5x3.51	4	3.2~4.0	50°	500	390~400	1000
ELUA3535OG5-P0010U23240500-VD1M	3.5x3.5x3.51	4	3.2~4.0	50°	500	400~410	1000

UV | UVA



UNIT : mm



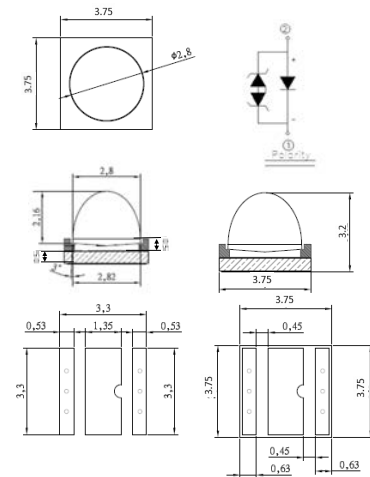
3535

Product	Dimension (mm)	Power (W)	Forward Voltage (V)	View Angle	Forward Current (mA)	Peak Wavelength (nm)	Radiant Flux(mW) Typ.
ELUA3535NU6-P6070U23648700-V41G	3.75x3.75x2.6	4	4	60°	700	360~370	900
ELUA3535NU6-P8090U736481K0-V41G	3.75x3.75x2.6	4	4	60°	1000	380~390	1350
ELUA3535NU6-P9000U736481K0-V41G	3.75x3.75x2.6	4	4	60°	1000	390~400	1350
ELUA3535NU6-P0010U736481K0-V41G	3.75x3.75x2.6	4	4	60°	1000	400~410	1350

UV



UNIT : mm



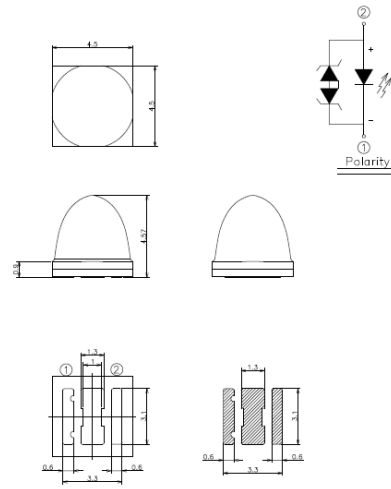
3535

Product	Dimension (mm)	Power (W)	Forward Voltage (V)	View Angle	Forward Current (mA)	Peak Wavelength (nm)	Radiant Flux(mW) Typ.
ELUA3535NU3-P6070U23648700-V41G	3.75x3.75x3.2	4	4	30°	700	360~370	900
ELUA3535NU3-P8090U736481K0-V41G	3.75x3.75x3.2	4	4	30°	1000	380~390	1350
ELUA3535NU3-P9000U736481K0-V41G	3.75x3.75x3.2	4	4	30°	1000	390~400	1350
ELUA3535NU3-P0010U736481K0-V41G	3.75x3.75x3.2	4	4	30°	1000	400~410	1350

UV | UVA



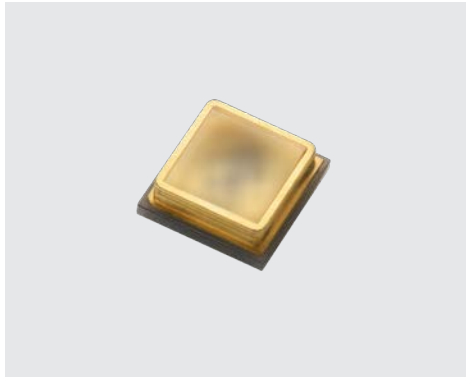
UNIT : mm



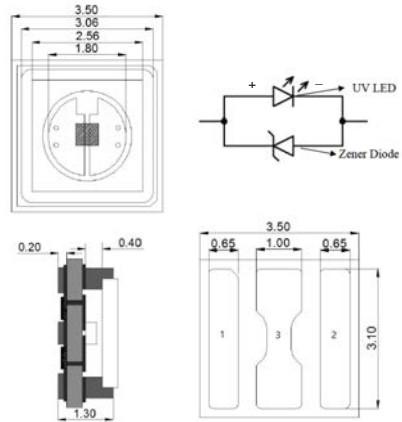
4545

Product	Dimension (mm)	Power (W)	Forward Voltage (V)	View Angle	Forward Current (mA)	Peak Wavelength (nm)	Radiant Flux(mW) Typ.
ELUA4545OG3-P6070U13241500-VD1M	4.5x4.5x4.57	1.8	3.5	30°	500	360~370	900
ELUA4545OG3-P8090U23241500-VD1M	4.5x4.5x4.57	1.8	3.5	30°	500	380~390	1000
ELUA4545OG3-P9000U23241500-VD1M	4.5x4.5x4.57	1.8	3.5	30°	500	390~400	1000
ELUA4545OG3-P0010U23241500-VD1M	4.5x4.5x4.57	1.8	3.5	30°	500	400~410	1000

UV | UVC

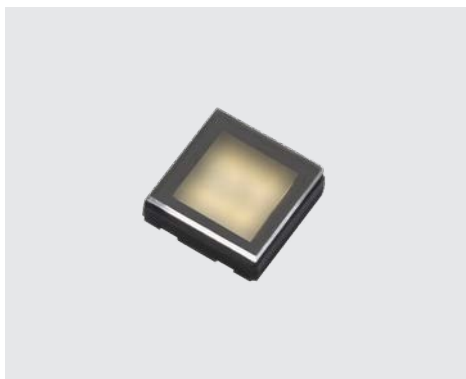


UNIT : mm

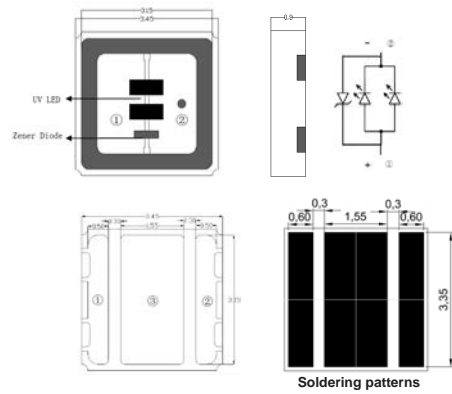


2mW

Product	Dimension (mm)	Power (W)	Forward Voltage (V)	View Angle	Forward Current (mA)	Peak Wavelength (nm)	Radiant Flux(mW) Typ.
ELUC3535NUB-P7085Q05075020-S41Q	3.5x3.5x1.3	0.13	5~7.5	120°	20	270-285	2



UNIT : mm

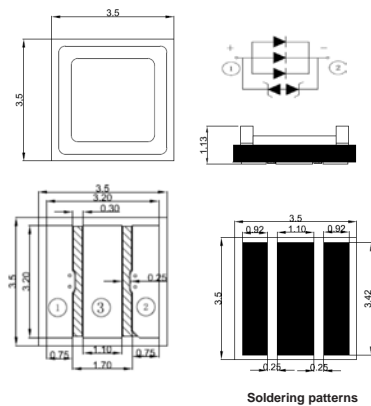


10mW

Product	Dimension (mm)	Power (W)	Forward Voltage (V)	View Angle	Forward Current (mA)	Peak Wavelength (nm)	Radiant Flux(mW) Typ.
ELUC3535NUB-P7085Q15070100-S22Q	3.45x3.45x1.1	0.7	5~7	120°	100	270-285	10



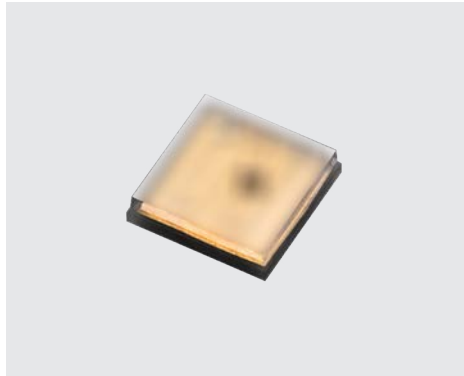
UNIT : mm



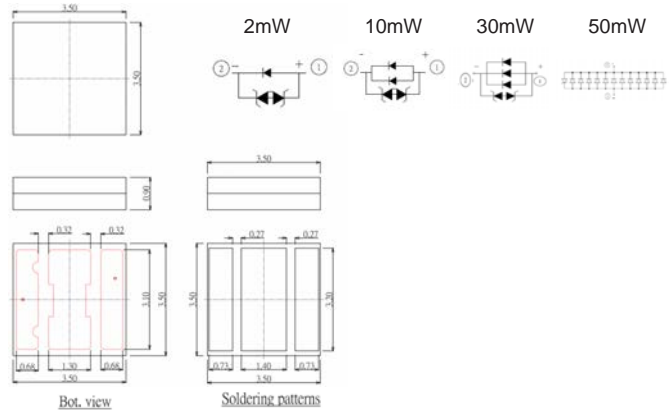
30mW

Product	Dimension (mm)	Power (W)	Forward Voltage (V)	View Angle	Forward Current (mA)	Peak Wavelength (nm)	Radiant Flux(mW) Typ.
ELUC3535NUB-P07085Q47090300-F23D	3.5x3.5x1.13	2.4	7~9	120°	300	270-285	30

UV | UVC



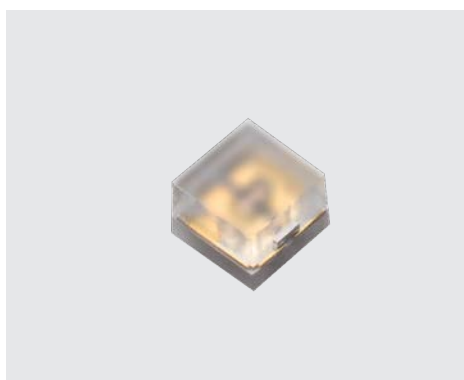
UNIT : mm



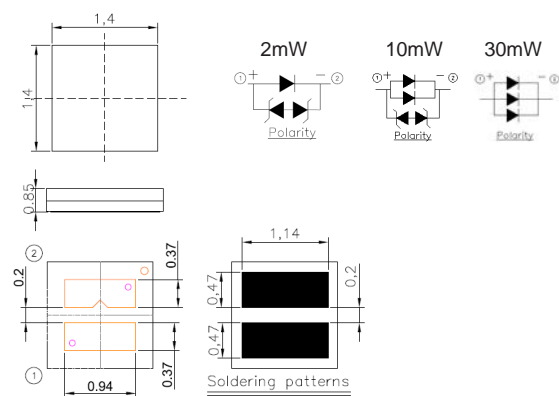
3535

Product	Dimension (mm)	Forward Voltage (V)	View Angle	Forward Current (mA)	Peak Wavelength (nm)	Radiant Flux(mW) Typ.
UVC3535CZ0115-HUC7085001X80020-1T	3.5x3.5x0.99	5.5-9.0	150°	20	270-285	2
UVC3535CZ0215-HUC7085008X80100-1T	3.5x3.5x0.99	5.0-7.5	150°	100	270-285	10
UVC3535CZ0315-HUC7085020X80300-1T	3.5x3.5x0.99	7.0-9.0	150°	300	270-285	30
UVC3535CZ1215-HUC7085040X80500-1T	3.5x3.5x0.99	5.5-9.0	150°	500	270-285	50

UV



UNIT : mm



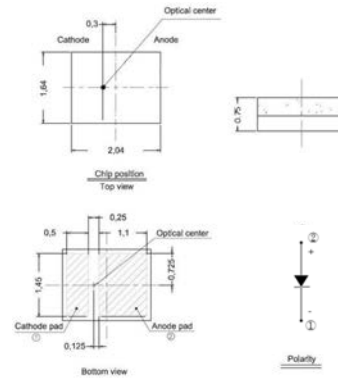
1414

Product	Dimension (mm)	Forward Voltage (V)	View Angle	Forward Current (mA)	Peak Wavelength (nm)	Radiant Flux(mW) Typ.
UVC1414CZ0115-HUC7080004X70040-2T	1.4x1.4x0.85	5.5-7.0	150°	20	270-280	2
UVC1414CZ0215-HUC7080008X70100-2T	1.4x1.4x0.85	5.5-7.0	150°	100	270-280	10
UVC1414CZ0315-HUC7080020X80300-2T	1.4x1.4x0.85	5.5-7.0	150°	300	270-280	30

Flash LED | 2016 series | Ceramic

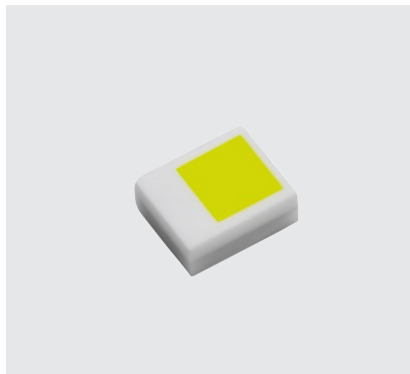


UNIT : mm

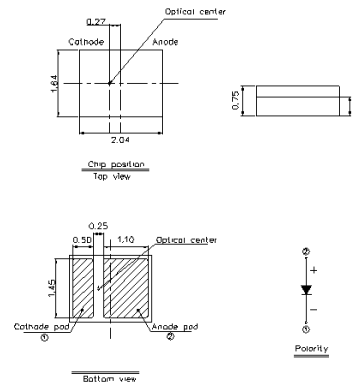


Product	Dimension (mm)	Color	CCT	Luminous Flux(Typ.)	Forward Voltage (V)	IF (mA)	CRI
FC2016GF14HP-B506030422839E-2T	2.04x1.64x0.75	○ White	5000~6000	330	2.85~3.95	1000	-
FC2016GF1DHP-B506027402839E-2T	2.04x1.64x0.75	○ White	5000~6000	310	2.85~3.95	1000	-
FC2016GF1DHP-F506025402839E-2T	2.04x1.64x0.75	○ White	5000~6000	280	2.85~3.95	1000	>80

Flash LED



UNIT : mm

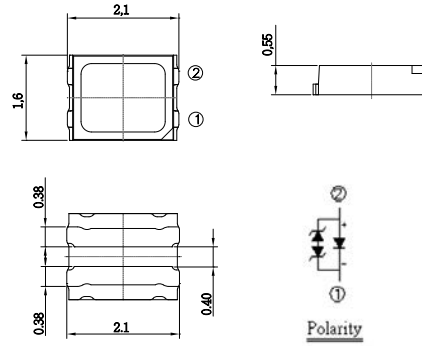


Product	Dimension (mm)	Color	CCT	Luminous Flux(Typ.)	Forward Voltage (V)	IF (mA)	CRI
FC2016GF14MP-B506025362839E-2T	2.04x1.64x0.75	○ White	5000~6000	310	2.85~3.95	1000	-
FC2016GF1DMP-B506028402839E-2T	2.04x1.64x0.75	○ White	5000~6000	290	2.85~3.95	1000	-
FC2016GF14MP-F506026362839E-2T	2.04x1.64x0.75	○ White	5000~6000	290	2.85~3.95	1000	>80
FC2016GF14MP-F405025402839E-2T	2.04x1.64x0.75	○ White	4000~5000	280	2.85~3.95	1000	>80

Flash LED | 2016 series | PLCC



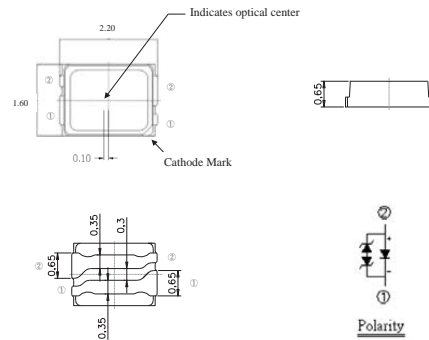
UNIT : mm



Product	Dimension (mm)	Color	CCT	Luminous Flux(Typ.)	Forward Voltage (V)	IF (mA)	CRI
FP2016EF13SA-B506025402839E-2T	2.1x1.6x0.55	○ White	5000~6000	320	2.85~3.95	1000	-



UNIT : mm



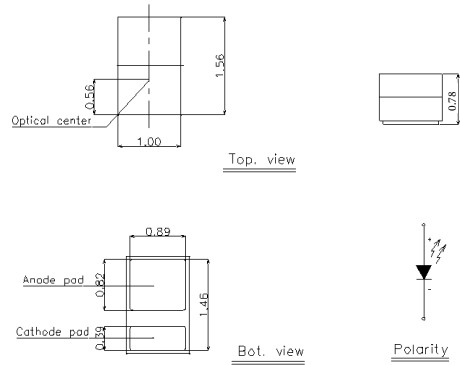
Product	Dimension (mm)	Color	CCT	Luminous Flux(Typ.)	Forward Voltage (V)	IF (mA)	CRI
FP2216FF13LA-B506028382839E-2T	2.2x1.6x0.65	○ White	5000~6000	310	2.85~3.95	1000	-

Flash LED

Flash LED | 1610 series | Ceramic



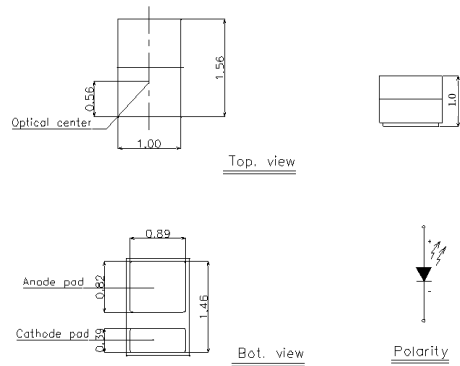
UNIT : mm



Product	Dimension (mm)	Color	CCT	Luminous Flux(Typ.)	Forward Voltage (V)	IF (mA)	CRI
FC1610HF13HP-B506024332839E-2T	1.56x1.0x0.78	○White	5000~6000	270	2.85~3.95	1000	-
FC1610HF13HP-F405024332839E-2T	1.56x1.0x0.78	○White	4000~5000	260	2.85~3.95	1000	>80



UNIT : mm

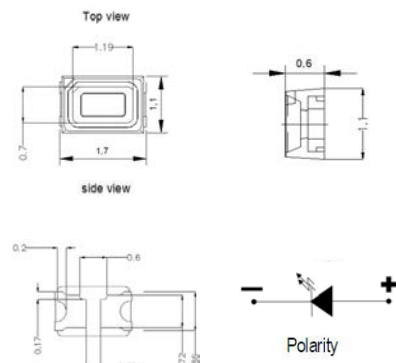


Product	Dimension (mm)	Color	CCT	Luminous Flux(Typ.)	Forward Voltage (V)	IF (mA)	CRI
FC1610JF13HP-B455524352839E-2T	1.56x1.0x1.0	○White	4500~5500	270	2.85~3.95	1000	-

Flash LED | 1610 series | PLCC



UNIT : mm

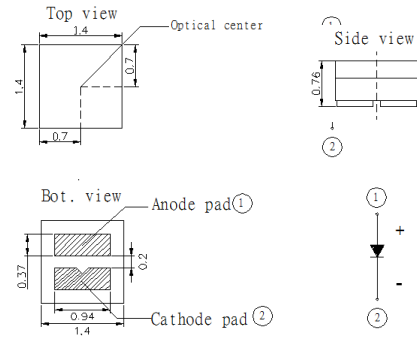


Product	Dimension (mm)	Color	CCT	Luminous Flux(Typ.)	Forward Voltage (V)	IF (mA)	CRI
FP1610JF13SA-J4555061127392-2T	1.6x1.1x0.6	○White	4500~5500	85	2.75~3.95	250	>65

Flash LED | 1414 series | Ceramic



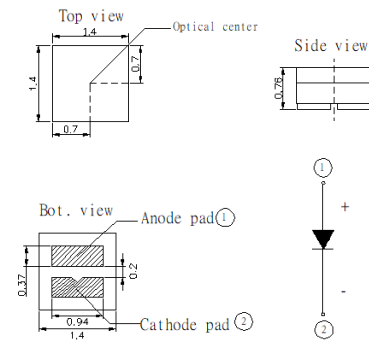
UNIT : mm



Product	Dimension (mm)	Color	CCT	Luminous Flux(Typ.)	Forward Voltage (V)	IF (mA)	CRI
FC1414GF13SM-B506022332839E-3T	1.4x1.4x0.76	○ White	5000~6000	245	2.85~3.95	1000	-
FC1414GF13SM-B253020302839E-3T	1.4x1.4x0.76	○ White	2500~3000	220	2.85~3.95	1000	-
FC1414GF13SM-B202520302839E-3T	1.4x1.4x0.76	○ White	2000~2500	220	2.85~3.95	1000	-



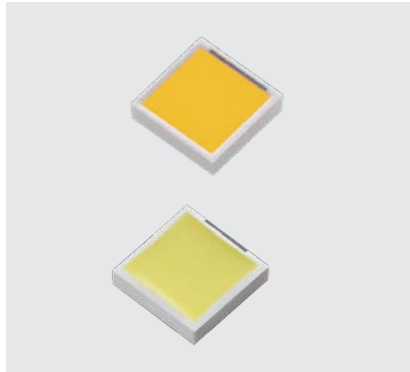
UNIT : mm



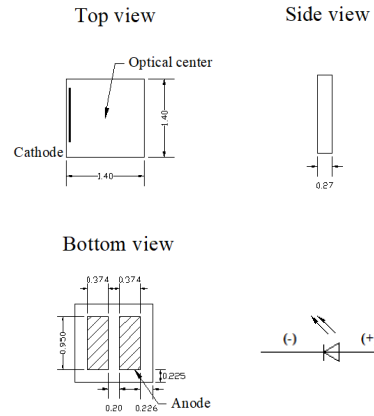
Product	Dimension (mm)	Color	CCT	Luminous Flux(Typ.)	Forward Voltage (V)	IF (mA)	CRI
FC1414GF1DHP-B506028402839E-2T	1.4x1.4x0.76	○ White	5000~6000	300	2.85~3.95	1000	-

Flash LED

Flash LED | 1414 series | CSP

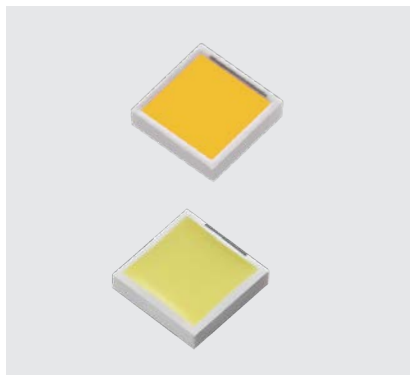


UNIT : mm

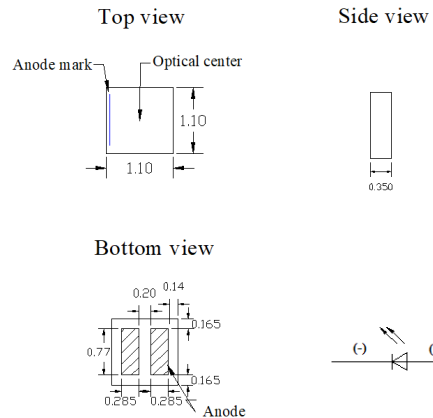


Product	Dimension (mm)	Color	CCT	Luminous Flux(Typ.)	Forward Voltage (V)	IF (mA)	CRI
FN1414BF14EP-B506026402839E-3T	1.4x1.4x0.27	○White	5000~6000	300	2.85~3.95	1000	-
FN1414BF14EP-F405028352839E-3T	1.4x1.4x0.27	○White	4000~5000	310	2.85~3.95	1000	>80
FN1414BF14EP-D354523282839E-3T	1.4x1.4x0.27	○White	3500~4500	240	2.85~3.95	1000	>90
FN1414BF14EP-B202520352839E-3T	1.4x1.4x0.27	○White	2000~2500	230	2.85~3.95	1000	-

Flash LED | 1111 series | CSP

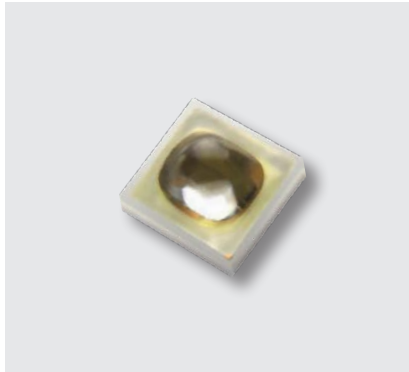


UNIT : mm

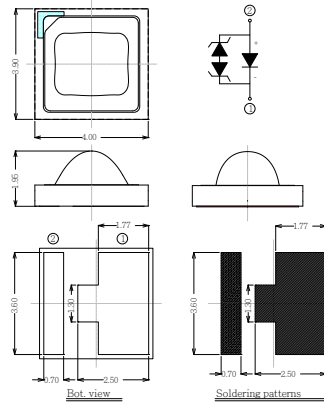


Product	Dimension (mm)	Color	CCT	Luminous Flux(Typ.)	Forward Voltage (V)	IF (mA)	CRI
FN111CF13DP-B192515252839E-3T	1.1x1.1x0.35	○White	1900~2500	175	2.85~3.95	1000	-
FN111CF13EP-B506018282839E-3T	1.1x1.1x0.35	○White	5000~6000	230	2.85~3.95	1000	-

Flash LED | Module series | Add Lens



UNIT : mm

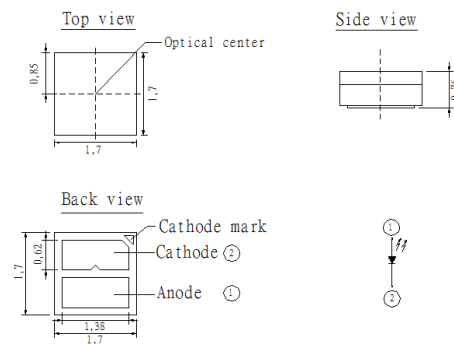


Product	Dimension (mm)	Color	CCT	Luminous Flux(Typ.)	Forward Voltage (V)	IF (mA)	CRI
ELYU03-5070J5J7294310-N0	4.0x3.9x1.95	○White	5000~7000	198	2.95~4.35	1000	-
ELYU03-5060J5J7294310-N0	4.0x3.9x1.95	○White	5000~6000	198	2.95~4.35	1000	-

Flash LED | 1717series | Ceramic



UNIT : mm



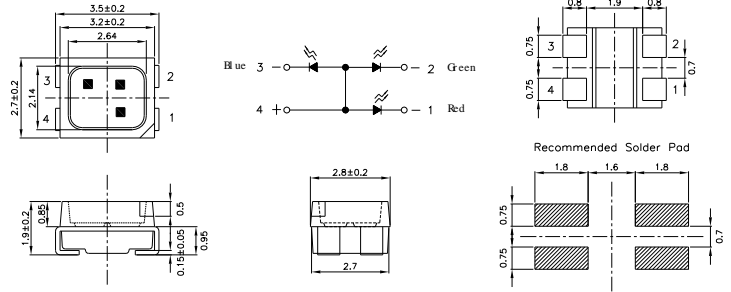
Product	Dimension (mm)	Color	CCT	Luminous Flux(Typ.)	Forward Voltage (V)	IF (mA)	CRI
FC1717GF15HP-F506033452839E-2T	1.7x1.7x0.76	○White	5000~6000	370	2.85~3.95	1000	-
FC1717GF15HP-F405033452839E-2T	1.7x1.7x0.76	○White	4000~5000	360	2.85~3.95	1000	>80

Flash LED

SMD LED | Surface Mount PLCC LEDs (Reflector) | Top View LED



UNIT : mm

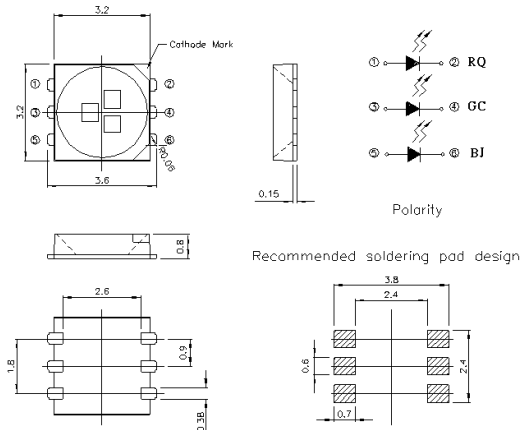


Product	Size (LxWxHmm)	Color		I _v		V _F (V)		IF (mA)
		Color	Wavelength nm / CIE	I _v (mcd) min.	I _v (mcd) max.	V _F (V) typ.	V _F (V) max.	
67-23/R6GHBHC-B05/2T	3.5x2.8x1.9	R6: ● Brilliant Red GH: ● Brilliant Green BH: ● Blue	R6 : 621~631 GH : 520~530 BH : 465~475	R6 : 112 GH : 180 BH : 72	R6 : 285 GH : 715 BH : 285	R6 : 2.0 GH : 3.4 BH : 3.4	R6 : 2.4 GH : 3.95 BH : 3.95	20
67-23SDRSYGUBC/TR8	3.5x2.8x1.9	SDR: ● Deep Red SYG: ● Brilliant Yellow Green UB: ● Blue	SDR : 639 SYG : 573 UB : 470	SDR : 63 / 112 SYG : 13 / 20 UB : 11 / 18	-	SDR : 2.0 SYG : 2.0 UB : 3.5	SDR : 2.4 SYG : 2.4 UB : 4.0	20

SMD LED



UNIT : mm

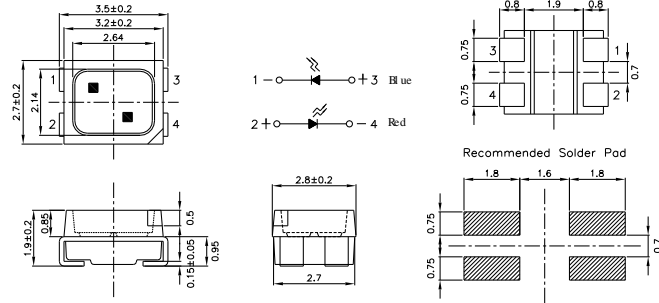


Product	Size (LxWxHmm)	Color		I _v		V _F (V)		IF (mA)
		Color	Wavelength nm / CIE	I _v (mcd) min.	I _v (mcd) max.	V _F (V) min./typ.	V _F (V) max.	
67-235-BJRQGCC-A01E-2T8-CS	3.2x3.2x0.8	● BQ:Super-Red ● GC:Brilliant Green ● BJ:Blue	BQ:617.5-629.5 GC:525-535 BJ:465-475	BQ:450 GC:1120 BJ:225	BQ:900 GC:1800 BJ:450	BQ:1.75 GC:2.75 BJ:2.75	BQ:2.75 GC:3.65 BJ:3.65	20

SMD LED | Surface Mount PLCC LEDs (Reflector) | Top View LED Bi-Color



UNIT : mm

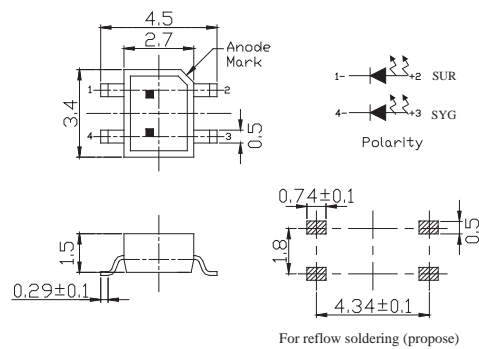


Product	Size (LxWxHmm)	Color		I _v			V _F		IF (mA)
		Color	Wavelength nm / CIE	I _v (mcd) min.	I _v (mcd) typ.	I _v (mcd) max.	V _F (V) min.	V _F (V) max.	
67-22/R6BHC-B07/2T	3.5x2.8x1.9	● Brilliant Red ● Blue	R6:621-631 BH:466.5-471.5	R6:90 BH:90	-	R6:225 BH:225	R6:1.75 BH:2.9	R6:2.35 BH:3.7	20
67-22/R6G6C-B09/2T	3.5x2.8x1.9	● Brilliant Red ● Brilliant Yellow	R6:621-277 SYG:570-574	R6:57 SYG:36	-	R6:140 SYG:90	R6:1.75 SYG:1.75	R6:2.35 SYG:2.35	20
67-22/R6Y2C-B31/2T	3.5x2.8x1.9	● Brilliant Red ● Brilliant Yellow	R6:621-631 SYG:586-594	R6:72 SYG:72	-	R6:285 SYG:285	R6:1.75 SYG:1.75	R6:2.35 SYG:2.35	20
67-22UYSYGC/S530-A5/TR8	3.5x2.8x1.9	● Brilliant Yellow ● Brilliant Yellow Green	UY:589 SYG:573	UY:80 SYG:50	UY:120 SYG:80	-	UY:1.7/2.0 SYG:1.7/2.0	UY:2.4 SYG:2.4	20

SMD LED | Surface Mount PLCC LEDs (Reflector) | Reverse Mount LED Bi-Color



UNIT : mm



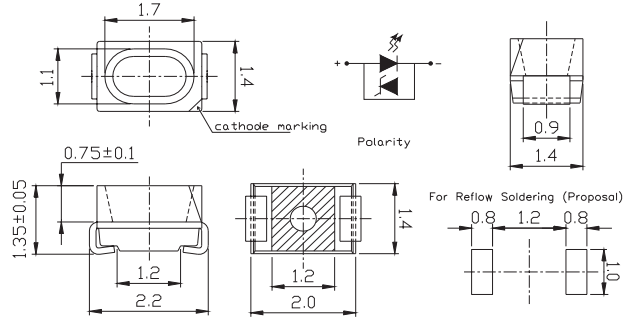
Product	Size (LxWxHmm)	Color		I _v		V _F		IF (mA)
		Color	Wavelength nm / CIE	I _v (mcd) min.	I _v (mcd) typ.	V _F (V) typ.	V _F (V) max.	
93-22SURSYGC/S530-A3/TR8	3.4x2.7x1.5	● Brilliant Red	624	17	41	2.0	2.4	20
	3.4x2.7x1.5	● Brilliant Yellow Green	573	11	17	2.0	2.4	20

SMD LED

SMD LED | Surface Mount PLCC LEDs (Reflector) | Top View PLCC2



UNIT : mm

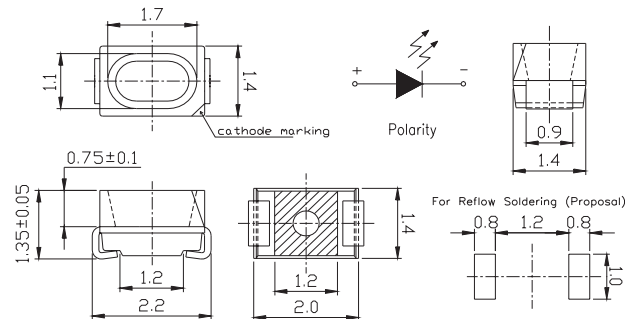


Product	Size (LxWxHmm)	Color		I _v		V _F		IF (mA)
		Color	Wavelength nm / CIE	I _v (mcd) min.	I _v (mcd) max.	V _F (V) min.	V _F (V) max.	
65-11/BHC-AR1S2B2/2T	2.2x1.4x1.35	● Blue	464.5~476.5	112	285	2.9	3.6	20
65-11/T2C-FV1W2E/2T	2.2x1.4x1.35	○ Pure White	x=0.283~0.33 y=0.276~0.36	715	1800	2.75	3.65	20

SMD LED



UNIT : mm

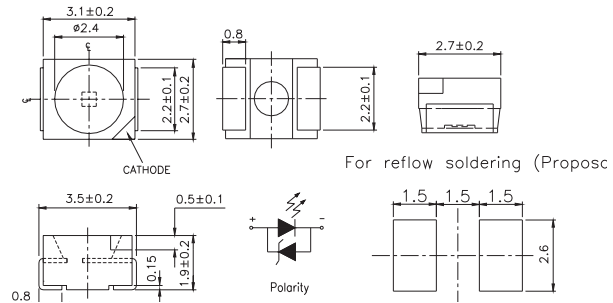


Product	Size (LxWxHmm)	Color		I _v		V _F (V) typ.	V _F (V) max.	IF (mA)
		Color	Wavelength nm / CIE	I _v (mcd) min.	I _v (mcd) typ.			
65-21/G6C-AN2Q1/3T	2.2x1.4x1.35	● Brilliant Yellow Green	569.5~577.5	36	90	1.75	2.35	20
65-21/BHC-FS/T1B14/2T	2.2x1.4x1.35	● Blue	464~472	180	360	2.7	3.5	20
65-21/Y2SC-AR1S2B/2T	2.2x1.4x1.35	● Brilliant Yellow	585.5~594.5	112	285	1.75	2.35	20
65-21/R6C-AQ1R2B/2T	2.2x1.4x1.35	● Brilliant Red	616.5~634.5	72	180	1.75	2.35	20

SMD LED | Surface Mount PLCC LEDs (Reflector) | Top View PLCC2



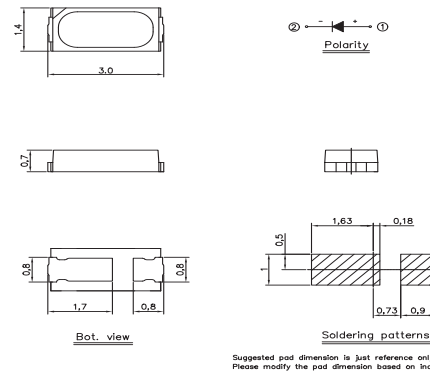
UNIT : mm



Product	Size (LxWxHmm)	Color		I _v		V _F		IF (mA)
		Color	Wavelength nm / CIE	I _v (mcd) min.	I _v (mcd) max.	V _F (V) min.	V _F (V) max.	
67-11/BHC-FQ2S1F/2T	3.5 x 2.7 x 1.9	● Blue	464 - 472	90	285	2.7	3.5	25
67-11/W1C-ES1T2N/2T	3.5 x 2.7 x 1.9	● Warm White	x: 0.264 - 0.33 y: 0.248 - 0.36	180	450	2.7	3.7	25
67-11/W1C-FV1W2F/2T	3.5 x 2.7 x 1.9	○ White	x: 0.283 - 0.33 y: 0.276 - 0.36	715	1800	2.7	3.5	25



UNIT : mm

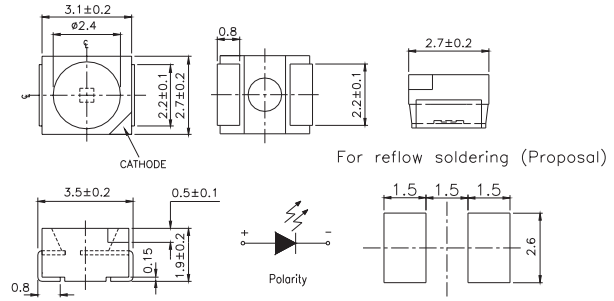


Product	Size (LxWxHmm)	Color		I _v		V _F		IF(mA)	View Angle(°)
		Color	Wavelength nm / CIE	I _v (mcd) min.	I _v (mcd) max.	V _F (V) min.	V _F (V) max.		
3014-BUT-SBBBCAK1E-2T8-CS	3.0x1.4x0.7	○ White	x: 0.28 - 0.30 y: 0.2466-0.3034	2240	3550	2.4	3.6	20	120

SMD LED | Surface Mount PLCC LEDs (Reflector) | Top View PLCC2



UNIT : mm

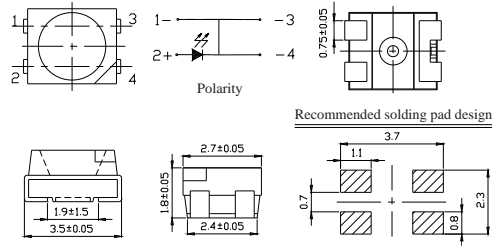


Product	Size (LxWxHmm)	Color		I_V		V_F		IF (mA)
		Color	Wavelength nm / CIE	I_V (mcd) min.	I_V (mcd) max.	V_F (V) min.	V_F (V) max.	
67-21/BHC-FQ1R2F/2T	3.5x2.7x1.9	● Blue	462~472	72	180	2.7	3.7	20
67-21/B7C-AS2U1N/2T	3.5x2.7x1.9	● Blue	464.5~476.5	225	565	2.7	3.7	20
67-21/GBC-YV2W2N/2T	3.5x2.7x1.9	● Brilliant Green	520~535	900	1800	2.7	3.7	20
67-21/GHC-AS2U1B17Z/2T	3.5x2.7x1.9	● Brilliant Green	517.5~535.5	225	565	2.5	3.5	10
67-21/GHC-BV1/2T	3.5x2.7x1.9	● Brilliant Green	523.5~533.5	715	900	2.7	4.3	20
67-21/R6C-AP2R1B/2T	3.5x2.7x1.9	● Brilliant Red	617.5~633.5	57	140	1.75	2.35	20
67-21/R6C-FN2Q1BZ/2T	3.5x2.7x1.9	● Brilliant Red	621~631	36	90	1.75	2.35	10
67-21/R6C-FR2T1B/2T	3.5x2.7x1.9	● Brilliant Red	621~631	140	360	1.75	2.35	20
67-21/R6C-FS1U1B/2T	3.5x2.7x1.9	● Brilliant Red	621~631	180	565	1.75	2.35	20
67-21/RSC-FT2V1B/2T	3.5x2.7x1.9	● Brilliant Red	621~631	360	900	1.75	2.35	20
67-21/S2C-FQ2R2B/2T	3.5x2.7x1.9	● Brilliant Orange	603~609	90	180	1.75 / 2	2.35	20
67-21/S2C-AQ2S1B/2T	3.5x2.7x1.9	● Brilliant Orange	600.5~612.5	90	225	1.75	2.35	20
67-21/T2C-ZV1W2E/2T	3.5x2.7x1.9	○ White	x=0.2498~0.296 y=0.2185~0.2950	715	1800	2.75	3.65	20
67-21/Y2C-BR2T1B/2T	3.5x2.7x1.9	● Brilliant Yellow	588.5~594.5	140	360	1.75	2.35	20
67-21/YSC-FU1V2B/2T	3.5x2.7x1.9	● Brilliant Yellow	586~594	450	1120	1.75	2.35	20

SMD LED | Surface Mount PLCC LEDs (Reflector) | Top View PLCC3



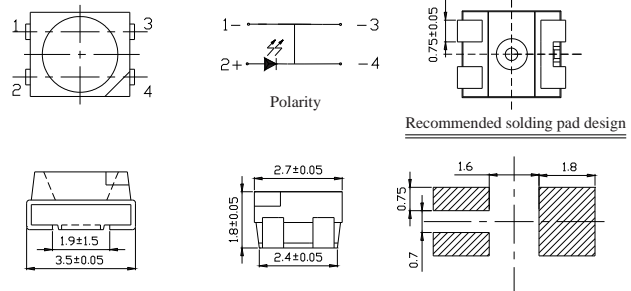
UNIT : mm



Product	Size (LxWxHmm)	Color		I _v			V _F			IF (mA)
		Color	Wavelength nm / CIE	I _v (mcd) min.	I _v (mcd) typ.	I _v (mcd) max.	V _F (V) min.	V _F (V) typ.	V _F (V) max.	
67-31A/SAC-AW1X2B9Z5/2T	3.5x2.7x1.8	● Reddish Orange	605.5-625.5	1120	-	2850	1.95	-	2.75	50
67-31A/GHC-YV1W2EZ3/2T	3.5x2.7x1.8	● Green	520-535	715	-	1800	2.75	-	3.65	30
67-31A/B7C-AT1U2MZ3/2T	3.5x2.7x1.8	● Blue	464.5-476.5	285	-	715	2.75	-	3.95	50



UNIT : mm



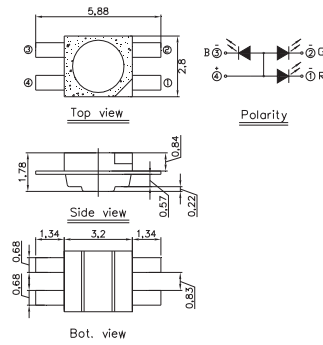
Product	Size (LxWxHmm)	Color		I _v			V _F			IF (mA)
		Color	Wavelength nm / CIE	I _v (mcd) min.	I _v (mcd) typ.	I _v (mcd) max.	V _F (V) min.	V _F (V) typ.	V _F (V) max.	
67-31E/RSC-AV1W2B9Z5/2T	3.5x2.7x1.8	● Brilliant Red	617.5-633.5	715	-	1800	2.15	-	2.75	50

SMD LED

SMD LED | Surface Mount PLCC LEDs (Reflector) | Top View PLCC4



UNIT : mm

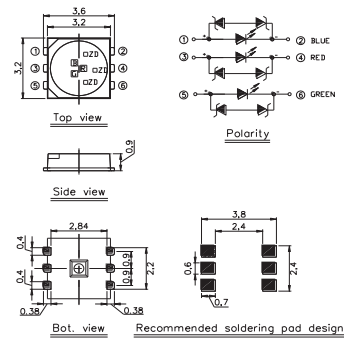


Product	Size (LxWxHmm)	Color		I _v		V _F		IF (mA)	View Angle(°)
		Color	Wavelength nm / CIE	I _v (mcd) min.	I _v (mcd) max.	V _F (V) min.	V _F (V) max.		
67-23-RSHGRBYC-M050505-ET1-CS	3.2x2.8x1.78	● Red	617.5-629.5	140	355	1.5	2.3	5	120
	3.2x2.8x1.78	● Green	520-535	355	900	2.4	3.1	5	120
	3.2x2.8x1.78	● Blue	464.5-476.5	71	180	2.4	3.1	5	120
	3.2x2.8x1.78	○ White	CIE_X:0.219-0.279 CIE_Y:0.231-0.291	560	1800	-	-	5	120

SMD LED | Surface Mount PLCC LEDs (Reflector) | Top View PLCC6



UNIT : mm

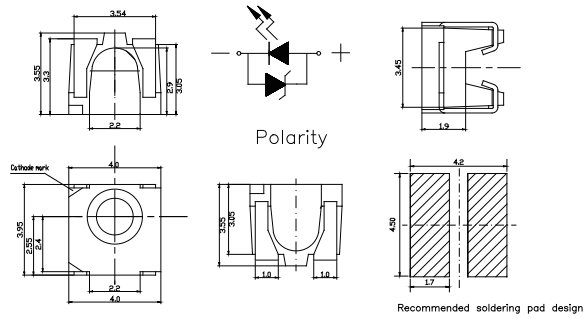


Product	Size (LxWxHmm)	Color		I _v		V _F		IF(mA)	View Angle(°)
		Color	Wavelength nm / CIE	I _v (mcd) min.	I _v (mcd) max.	V _F (V) min.	V _F (V) max.		
67-135-BYGRRTNW-M101520-2T8-CS	3.6x3.2x0.9	● Red	617.5-629.5	450	1120	1.75	2.75	20	120
	3.6x3.2x0.9	● Green	520-535	900	2240	2.4	3.4	15	120
	3.6x3.2x0.9	● Blue	460-475	140	355	2.4	3.4	10	120
	3.6x3.2x0.9	○ White	CIE_X:0.264-0.324 CIE_Y:0.256-0.316	1400	3550	-	-	-	120

SMD LED | Surface Mount PLCC LEDs (Reflector) | Side View LED



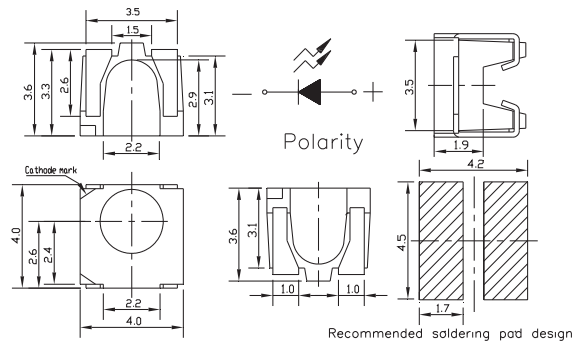
UNIT : mm



Product	Size (LxWxHmm)	Color		I_V		V_F			IF (mA)
		Color	Wavelength nm / CIE	I_V (mcd) min.	I_V (mcd) max.	V_F (V) min.	V_F (V) typ.	V_F (V) max.	
57-11UTC/S827-1/TR8	4.0x4.0x3.6	○White	x=0.3070~0.3520 y=0.2840~0.3710	900	1800	2.75	-	3.95	20



UNIT : mm



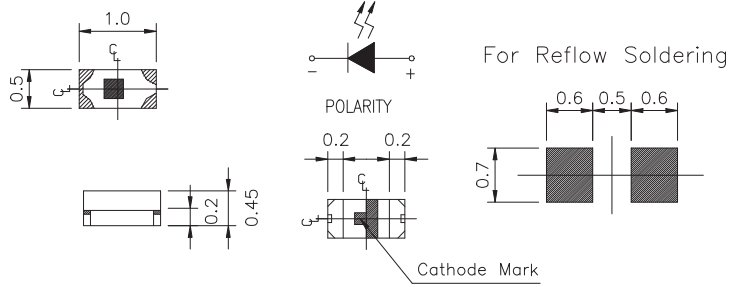
Product	Size (LxWxHmm)	Color		I_V		V_F			IF (mA)
		Color	Wavelength nm / CIE	I_V (mcd) min.	I_V (mcd) max.	V_F (V) min.	V_F (V) typ.	V_F (V) max.	
57-21/R6C-AP1Q2B/BF	4.0x4.0x3.6	●Brilliant Red	617.5-633.5	45	112	1.75	-	2.35	10
57-21SYGC/S530-E3/TR8	4.0x4.0x3.6	●Brilliant Yellow Green	573	32	-	1.7	2	2.4	20

SMD LED

SMD LED | Surface Mount Chip LED (PCB) | Top View 0402 (0.2T~0.5T)



UNIT : mm

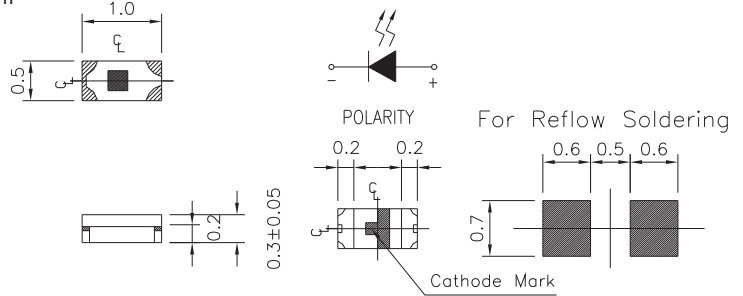


Product	Size (LxWxHmm)	Color		I _v		V _F		IF (mA)
		Color	Wavelength nm / CIE	I _v (mcd) min.	I _v (mcd) max.	V _F (V) min.	V _F (V) max.	
16-213/BHC-AN1P2/3T	1.0x0.5x0.45	● Blue	470	28.5	72	2.7 / 3.3	3.7	20
16-213/BHC-ZL1M2QY/3T	1.0x0.5x0.45	● Blue	470	11.5	28.5	2.7	3.2	5
16-213/GHC-YR1S1/3T	1.0x0.5x0.45	● Brilliant Green	525	112	225	2.7 / 3.3	3.7	20
16-213/R6C-AQ2R2B/3T	1.0x0.5x0.45	● Brilliant Red	617.5~633.5	90	180	1.75	2.35	20
16-213/T3D-AP1Q2QY/3T	1.0x0.5x0.45	○ Pure White	x=0.29, y=0.30	45	112	2.7	3.2	5
16-213/T7D-AQ1R1QY/3T	1.0x0.5x0.45	○ Pure White	x=0.29, y=0.30	72	140	2.7	3.2	5

SMD LED



UNIT : mm

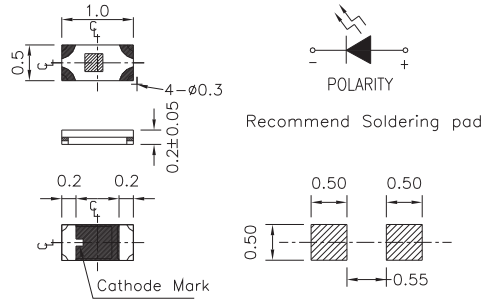


Product	Size (LxWxHmm)	Color		I _v			V _F			IF (mA)
		Color	Wavelength nm / CIE	I _v (mcd) min.	I _v (mcd) typ.	I _v (mcd) max.	V _F (V) min.	V _F (V) typ.	V _F (V) max.	
16-216/T3D-AQ1R2TY/3T	1.0x0.5x0.3	○ Pure White	CIE_X:0.274-0.334 CIE_Y:0.226-0.376	72	-	180	2.6	-	3	5

SMD LED | Surface Mount Chip LED (PCB) | Top View 0402 (0.2T~0.5T)

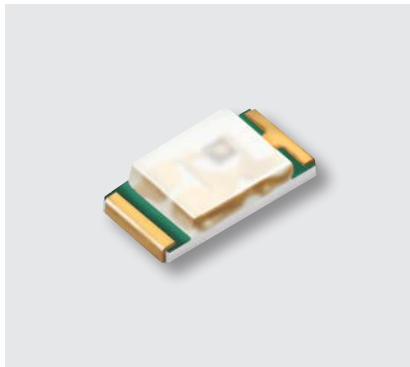


UNIT : mm

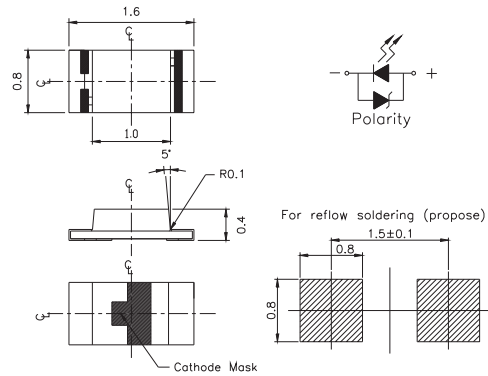


Product	Size (LxWxHmm)	Color		I_V			V_F			IF (mA)
		Color	Wavelength nm / CIE	I_V (mcd) min.	I_V (mcd) typ.	I_V (mcd) max.	V_F (V) min.	V_F (V) typ.	V_F (V) max.	
16-219A/T2D-AR2T1QY/3T	1.0x0.5x0.2	○ Pure White	CIE_X:0.274-0.334 CIE_Y:0.226-0.376	140	-	360	2.7	-	3.2	5

SMD LED



UNIT : mm

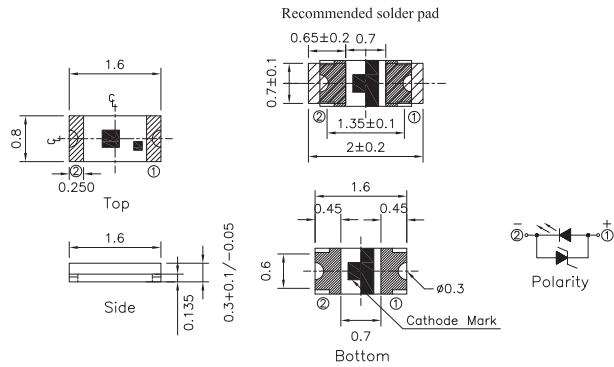


Product	Size (LxWxHmm)	Color		I_V		V_F		IF (mA)
		Color	Wavelength nm / CIE	I_V (mcd) min.	I_V (mcd) max.	V_F (V) min.	V_F (V) max.	
19-117/BHC-YJ2K2TX/3T	1.6x0.8x0.4	● Blue	465-475	18	45	2.7	3.2	5
19-117/BHC-ZL1M2RY/3T	1.6x0.8x0.4	● Brilliant Green	520-540	72	180	2.5	3.2	5
19-117/T1D-AP2Q2QY/3T	1.6x0.8x0.4	○ Pure White	x=0.274, y=0.226	18	45	2.5	2.9	2

SMD LED | Surface Mount Chip LED (PCB) | Top View 0603 (0.2T~0.8T)



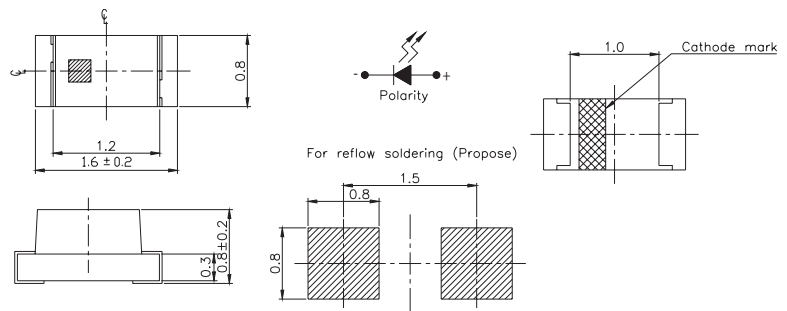
UNIT : mm



Product	Size (LxWxHmm)	Color		I _v			V _F			IF (mA)
		Color	Wavelength nm / CIE	I _v (mcd) min.	I _v (mcd) typ.	I _v (mcd) max.	V _F (V) min.	V _F (V) typ.	V _F (V) max.	
19-118/BHC-ZL1M2QY/3T	1.6x0.8x0.3	● Blue	465-475	11.5	-	28.5	2.7	-	3.2	5



UNIT : mm

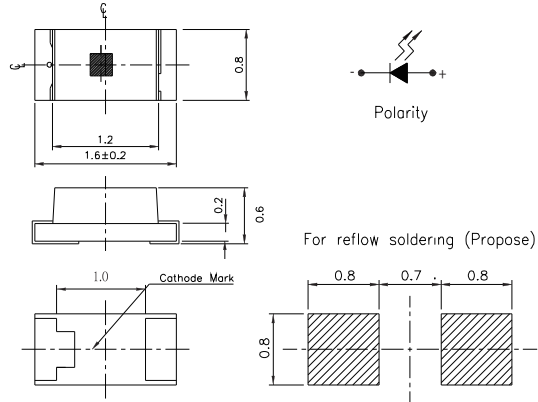


Product	Size (LxWxHmm)	Color		I _v		V _F		IF (mA)
		Color	Wavelength nm / CIE	I _v (mcd) min.	I _v (mcd) max.	V _F (V) min.	V _F (V) max.	
19-21/B6C-AP2Q2M/3T	1.6x0.8x0.8	● Blue	470	57	112	2.75	3.95	20
19-21/BHC-AP1Q2/3T	1.6x0.8x0.8	● Blue	470	45	112	2.7 / 3.3	3.7	20
19-21/BHC-ZQ1R2N/3T	1.6x0.8x0.8	● Blue	470	72	180	2.7	3.7	20
19-21/G6C-AL1M2LY/3T	1.6x0.8x0.8	● Brilliant Yellow Green	573	11.5	28.5	1.7	2.3	5
19-21/G6C-FM1N2B/3T	1.6x0.8x0.8	● Brilliant Yellow Green	573	18	45	1.75	2.35	20
19-21/G6C-FP1Q1L/3T	1.6x0.8x0.8	● Brilliant Yellow Green	573	45	90	1.7	2.3	20
19-21/GHC-YP1Q2TY/3T	1.6x0.8x0.8	● Brilliant Green	525	45	112	2.6	3.0	5
19-21/GPC-FL1M2B/3T	1.6x0.8x0.8	● Green	562	11.5	28.5	1.75	2.35	20
19-21/R6C-AL2N1VY/3T	1.6x0.8x0.8	● Brilliant Red	624	14.5	36	1.7	2.2	5
19-21/R6C-FP1Q2L/3T	1.6x0.8x0.8	● Brilliant Red	624	45	112	1.7	2.3	20
19-21/R7C-AK1L2BY/3T	1.6x0.8x0.8	● Deep Red	631	7.2	18	1.75	2.35	5
19-21/R7C-AN2Q1B/3T	1.6x0.8x0.8	● Deep Red	631	36	90	1.75	2.35	20
19-21/R8C-FN2Q1L/3T	1.6x0.8x0.8	● Deep Red	639	36	90	1.7	2.3	20
19-21/S2C-AL2M2VY/3T	1.6x0.8x0.8	● Brilliant Orange	605	14.5	28.5	1.7	2.2	5
19-21/S2C-AQ1R2B/3T	1.6x0.8x0.8	● Brilliant Orange	605	72	180	1.75	2.35	20
19-21/T1D-CPQTY/3T	1.6x0.8x0.8	○ Pure White	x=0.274, y=0.226	45	112	2.6	3	5
19-21/Y2C-AL1M2VY/3T	1.6x0.8x0.8	● Brilliant Yellow	589	11.5	28.5	1.7	2.2	5
19-21/Y2C-CP1Q2B/3T	1.6x0.8x0.8	● Brilliant Yellow	589	45	112	1.75	2.35	20

SMD LED | Surface Mount Chip LED (Reflector) | Top View 0603 (0.2T~0.8T)



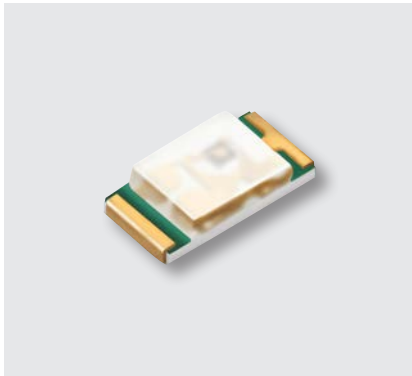
UNIT : mm



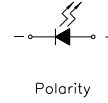
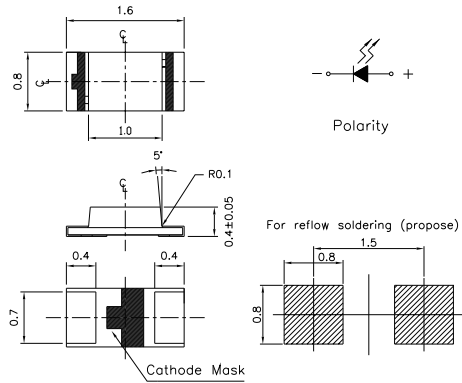
Product	Size (LxWxHmm)	Color		I _V		V _F		IF (mA)
		Color	Wavelength nm / CIE	I _V (mcd) min.	I _V (mcd) max.	V _F (V) min.	V _F (V) max.	
19-213/Y2C-CQ1R2/3T	1.6x0.8x0.6	● Brilliant Yellow	589	72	180	1.7 / 2	2.4	20
19-213/B7C-AQ2S1B2/3T	1.6x0.8x0.6	● Blue	470	90	225	2.9	3.6	20
19-213/BHC-AP1Q2/3T	1.6x0.8x0.6	● Blue	470	45	112	2.7	3.7	20
19-213/G6C-AP1Q2/3T	1.6x0.8x0.6	● Brilliant Yellow Green	573	45	112	2	2.4	20
19-213/G6C-BM1N2B/3T	1.6x0.8x0.6	● Brilliant Yellow Green	573	18	45	1.75	2.35	20
19-213/G6C-FN2Q1L/3T	1.6x0.8x0.6	● Brilliant Yellow Green	573	36	90	1.7	2.3	20
19-213/G6W-FN1P1B/3T	1.6x0.8x0.6	● Brilliant Yellow Green	573	28.5	57	1.75	2.35	20
19-213/GHC-XS1T1N/3T	1.6x0.8x0.6	● Brilliant Green	525	180	360	2.7	3.7	20
19-213/GHC-YP1Q2QY/3T	1.6x0.8x0.6	● Brilliant Green	525	45	112	2.7	3.2	5
19-213/GHC-YR1S2/3T	1.6x0.8x0.6	● Brilliant Green	525	112	285	3.5	4	20
19-213/R6C-AM2P1VY/3T	1.6x0.8x0.6	● Brilliant Red	624	22.5	57	1.7	2.2	5
19-213/R7C-AP1Q2L/3T	1.6x0.8x0.6	● Deep Red	639	45	112	1.7	2.3	20
19-213/R6C-AP1Q2B/3T	1.6x0.8x0.6	● Brilliant Red	624	45	112	1.75	2.35	20
19-213/R6C-AQ1R2B/3T	1.6x0.8x0.6	● Brilliant Red	624	72	180	1.75	2.35	20
19-213/R8C-FN1P2/3T	1.6x0.8x0.6	● Deep Red	639	28.5	72	1.7 / 2	2.4	20
19-213/S2C-AP1Q2B/3T	1.6x0.8x0.6	● Brilliant Orange	605	45	112	1.75	2.35	20
19-213/S3C-AN2P2B/3T	1.6x0.8x0.6	● Reddish Orange	615	36	72	1.75	2.35	20
19-213/T1D-KS1T1N/3T	1.6x0.8x0.6	○ Pure White	x=0.294, y=0.254	180	360	2.7	3.7	20
19-213/Y2C-AP1Q2B/3T	1.6x0.8x0.6	● Brilliant Yellow	589	45	112	1.75	2.35	20
19-213/Y2C-CN1P2/3T	1.6x0.8x0.6	● Brilliant Yellow	589	28.5	72	1.7 / 2	2.4	20
19-213/Y2C-CP1Q2L/3T	1.6x0.8x0.6	● Brilliant Yellow	589	45	112	1.7	2.3	20
19-213/Y2C-CQ2R2L/3T	1.6x0.8x0.6	● Brilliant Yellow	589	90	180	1.7	2.3	20

SMD LED

SMD LED | Surface Mount Chip LED (PCB) | Top View 0603 (0.2T~0.8T)



UNIT : mm

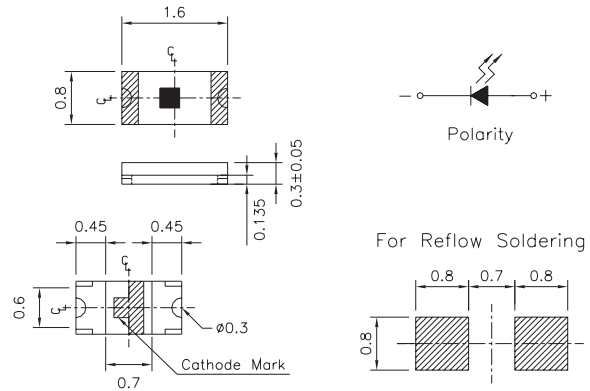


Product	Size (LxWxHmm)	Color		I _V		V _F		IF (mA)
		Color	Wavelength nm / CIE	I _V (mcd) min.	I _V (mcd) max.	V _F (V) min.	V _F (V) max.	
19-217/B7C-ZL2N1B3X/3T	1.6x0.8x0.4	Blue	470	14.5	35	2.5	2.9	2
19-217/BHC-AN1P2/3T	1.6x0.8x0.4	Blue	470	28.5	72	2.7 / 3.3	3.7	20
19-217/BHC-XK1L2B11X/3T	1.6x0.8x0.4	Blue	470	7.2	18	2.6	2.9	2
19-217/BHC-ZL1M2RY/3T	1.6x0.8x0.4	Blue	470	11.5	28.5	2.5	3.1	5
19-217/G7C-AN1P2/3T	1.6x0.8x0.4	Brilliant Yellow Green	573	28.5	72	1.7/2.0	2.4	20
19-217/GHC-YR1S2/3T	1.6x0.8x0.4	Brilliant Green	525	112	285	2.7 / 3.3	3.7	20
19-217/R6C-P1Q2/3T	1.6x0.8x0.4	Brilliant Red	624	45	112	1.7 / 2	2.4	20
19-217/S2C-AL1M2VY/3T	1.6x0.8x0.4	Brilliant Orange	605	11.5	28.5	1.7	2.2	5
19-217/S3C-AL2N1VY/3T	1.6x0.8x0.4	Reddish Orange	615	14.5	36	1.7	2.2	5
19-217/T1D-CQ2R2TY/3T	1.6x0.8x0.4	Pure White	x=0.274,y=0.226	90	180	2.6	3.0	5
19-217/T7D-CT2V1N/3T	1.6x0.8x0.4	Pure White	x=0.274,y=0.226	360	900	2.7	3.7	20
19-217/Y5C-AM1N1VY/3T	1.6x0.8x0.4	Brilliant Yellow	589	18	36	1.7	2.2	5
19-217/Y5C-AP1Q2/3T	1.6x0.8x0.4	Brilliant Yellow	589	45	112	1.7/2.0	2.4	20
19-217/Y5C-AQ2R2/3T	1.6x0.8x0.4	Brilliant Yellow	589	90	180	1.7 / 2	2.4	20

SMD LED | Surface Mount Chip LED (Reflector) | Top View 0603 (0.2T~0.8T)



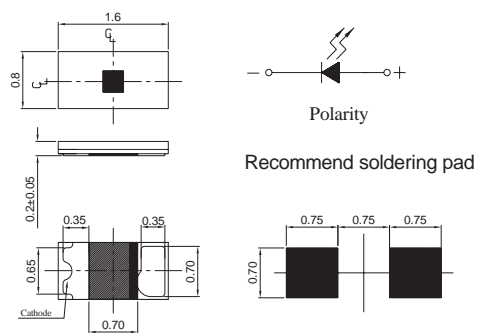
UNIT : mm



Product	Size (LxWxHmm)	Color		I _v		V _F		IF (mA)
		Color	Wavelength nm / CIE	I _v (mcd) min.	I _v (mcd) max.	V _F (V) min.	V _F (V) max.	
19-218/BHC-ZL1M2QY/3T	1.6x0.8x0.3	● Blue	470	11.5	28.5	2.7	3.2	5
19-218/GHC-YR1S2M/3T	1.6x0.8x0.3	● Brilliant Green	525	112	285	2.75	3.95	20
19-218/R6C-FM2P1B7Y/3T	1.6x0.8x0.3	● Brilliant Red	624	22.5	57	1.7	2	5
19-218/T1D-CQ2R2TY/3T	1.6x0.8x0.3	○ Pure White	x=0.274, y=0.226	90	180	2.6	3	5



UNIT : mm

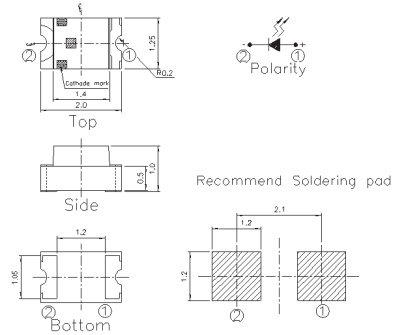


Product	Size (LxWxHmm)	Color		I _v		V _F		IF (mA)
		Color	Wavelength nm / CIE	I _v (mcd) min.	I _v (mcd) max.	V _F (V) min.	V _F (V) max.	
19-219/T3D-AQ2R2TY/3T	1.6x0.8x0.2	○ Pure White	x=0.274, y=0.226	90	180	2.6	3	5
19-219/T7D-AV1W1E/3T	1.6x0.8x0.2	○ Pure White	x=0.274, y=0.226	715	1420	2.75	3.65	20
19-219/Y5C-AM1N2VY/3T	1.6x0.8x0.2	● Brilliant Yellow	589	18	45	1.7	2.2	5
19-219/R6C-AM1N2VY/3T	1.6x0.8x0.2	● Brilliant Red	617.5~633.5	18	45	1.7	2.2	5

SMD LED | Surface Mount Chip LED (PCB) | Top View 0805

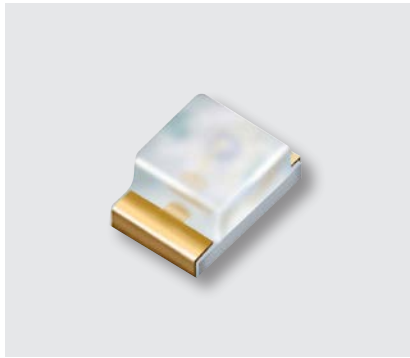


UNIT : mm

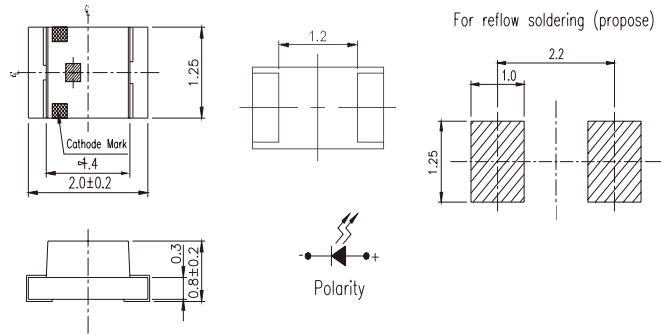


Product	Size (LxWxHmm)	Color		I _V		V _F		IF (mA)
		Color	Wavelength nm / CIE	I _V (mcd) min.	I _V (mcd) max.	V _F (V) min.	V _F (V) max.	
17-21/BHC-AP1Q2/3T	2.0x1.25x1	● Blue	470	45	112	2.7 / 3.3	3.7	20
17-21/BHC-XLMJY/3T	2.0x1.25x1	● Blue	470	11.5	28.5	2.7	3.1	5
17-21/G6C-AN1P1B/3T	2.0x1.25x1	● Brilliant Yellow Green	573	28.5	57	1.75	2.35	20
17-21/G6C-AP1Q1B/3T	2.0x1.25x1	● Brilliant Yellow Green	573	45	90	1.75	2.35	20
17-21/G6C-FM1N2B/3T	2.0x1.25x1	● Brilliant Yellow Green	573	18	45	1.75	2.35	20
17-21/G6C-FN1P2B/3T	2.0x1.25x1	● Brilliant Yellow Green	573	28.5	72	1.75	2.35	20
17-21/G6C-FP1Q1B/3T	2.0x1.25x1	● Brilliant Yellow Green	573	45	90	1.75	2.35	20
17-21/GHC-XS1T2M/3T	2.0x1.25x1	● Brilliant Green	525	180	450	2.75	3.95	20
17-21/GHC-YR1S2/3T	2.0x1.25x1	● Brilliant Green	525	112	285	3.5	4	20
17-21/GPC-AK0M1B/3T	2.0x1.25x1	● Green	562	7.2	22.5	1.75	2.35	20
17-21/GVC-AMPB/3T	2.0x1.25x1	● Green	565	18	72	1.75	2.35	20
17-21/R6C-AN2Q1B/3T	2.0x1.25x1	● Brilliant Red	624	36	90	1.75	2.35	20
17-21/R6C-AP1Q2L/3T	2.0x1.25x1	● Brilliant Red	624	45	112	1.7	2.3	20
17-21/R7C-AN2Q1B/3T	2.0x1.25x1	● Deep Red	631	36	90	1.75	2.35	20
17-21/S2C-AP1Q2B/3T	2.0x1.25x1	● Brilliant Orange	605	45	112	1.75	2.35	20
17-21/T1D-CP2R1TY/3T	2.0x1.25x1	○ Pure White	x=0.274, y=0.226	57	140	2.6	3	5
17-21/T1D-KQ1R2B5Y/3T	2.0x1.25x1	○ Pure White	x=0.294, y=0.254	72	180	2.7	3.1	5
17-21/Y2C-AN1P2/3T	2.0x1.25x1	● Brilliant Yellow	589	28.5	72	1.7 / 2	2.4	20
17-21/Y2C-CN1P2B/3T	2.0x1.25x1	● Brilliant Yellow	589	28.5	72	1.75	2.35	20
17-21/Y2C-CP2Q2B/3T	2.0x1.25x1	● Brilliant Yellow	589	57	112	1.75	2.35	20

SMD LED | Surface Mount Chip LED (PCB) | Top View 0805

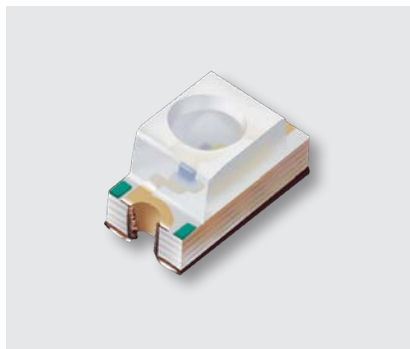


UNIT : mm

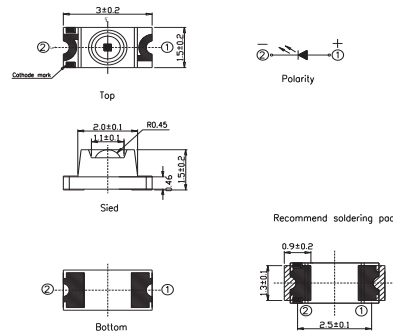


Product	Size (LxWxHmm)	Color		I _V			V _F		IF (mA)
		Color	Wavelength nm / CIE	I _V (mcd) min.	I _V (mcd) max.	V _F (V) min.	V _F (V) max.		
17-215/B6C-YP2RN/3T	2.0x1.25x0.8	Blue	470	57	180	2.7	3.7	20	
17-215/BHC-AP1Q2/3T	2.0x1.25x0.8	Blue	470	45	112	2.7 / 3.3	3.7	20	
17-215/BHC-BP2Q2M/3T	2.0x1.25x0.8	Blue	470	57	112	2.75	3.95	20	
17-215/G6C-BM1N2L/3T	2.0x1.25x0.8	Brilliant Yellow Green	573	18	45	1.7	2.3	20	
17-215/G6C-FN2P2B/3T	2.0x1.25x0.8	Brilliant Yellow Green	573	36	72	1.75	2.35	20	
17-215/R6C-AQ1R2B/3T	2.0x1.25x0.8	Brilliant Red	624	72	180	1.75	2.35	20	
17-215/S2C-AQ1R2B/3T	2.0x1.25x0.8	Brilliant Orange	605	72	180	1.75	2.35	20	
17-215/S2C-CP2R1B/3T	2.0x1.25x0.8	Brilliant Orange	605	57	140	1.75	2.35	20	

SMD LED | Surface Mount Chip LED (PCB) | Top View 1206



UNIT : mm



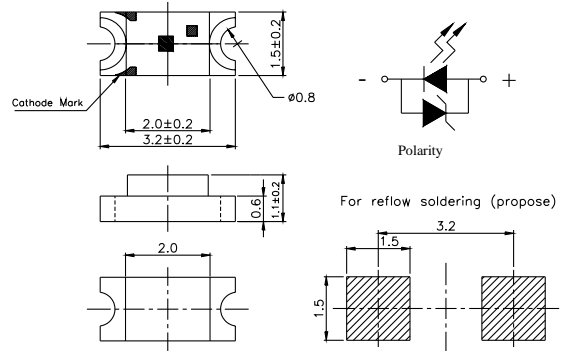
Product	Size (LxWxHmm)	Color		I _V			V _F			IF (mA)
		Color	Wavelength nm / CIE	I _V (mcd) min.	I _V (mcd) typ.	I _V (mcd) max.	V _F (V) min.	V _F (V) typ.	V _F (V) max.	
11-21/R6C-AR2S2B/2T	3.0x1.5x1.5	Brilliant Red	617.5-633.5	140	-	285	1.75	-	2.35	20
11-21/G6C-AR2S2B/2T	3.0x1.5x1.5	Brilliant Yellow Green	569.5-577.5	140	-	285	1.75	-	2.35	20
11-21/BHC-AQ2S2/2T	3.0x1.5x1.5	Blue	464.5-476.5	90	-	285	2.7	3.3	3.7	20

SMD LED

SMD LED | Surface Mount Chip LED (PCB) | Top View 1206



UNIT : mm

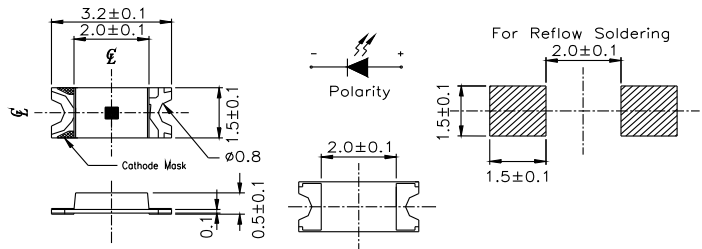


Product	Size (LxWxHmm)	Color		I _v			V _F			IF (mA)
		Color	Wavelength nm / CIE	I _v (mcd) min.	I _v (mcd) typ.	I _v (mcd) max.	V _F (V) min.	V _F (V) typ.	V _F (V) max.	
15-11/BHC-ZL2N1QY/2T	3.2x1.5x1.0	● Blue	470	14.5	—	36	2.7	—	3.2	5
15-11/T1D-AQRHY/2T	3.2x1.5x1.0	○ Pure White	x=0.274, y=0.226	72	—	180	2.7	—	3.15	5

SMD LED



UNIT : mm

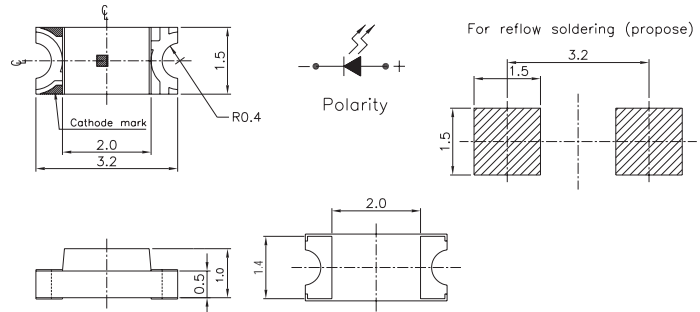


Product	Size (LxWxHmm)	Color		I _v		V _F		IF (mA)
		Color	Wavelength nm / CIE	I _v (mcd) min.	I _v (mcd) max.	V _F (V) min.	V _F (V) max.	
15-215/G7C-BN1P2B/2T	3.2x1.5x0.5	● Brilliant Yellow Green	573	28.5	72	1.75	2.35	20
15-215/R6C-AM2P1VY/2T	3.2x1.5x0.5	● Brilliant Red	624	22.5	57	1.7	2.2	5
15-215/R6C-AQ1R2L/2T	3.2x1.5x0.5	● Brilliant Red	624	72	180	1.7	2.3	20

SMD LED | Surface Mount Chip LED (PCB) | Top View 1206

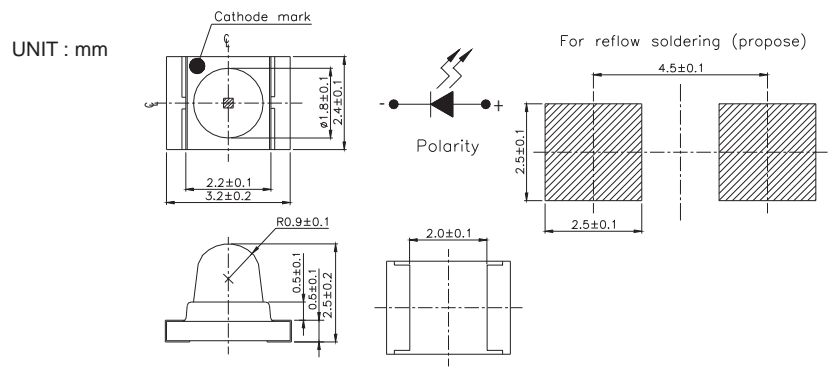


UNIT : mm



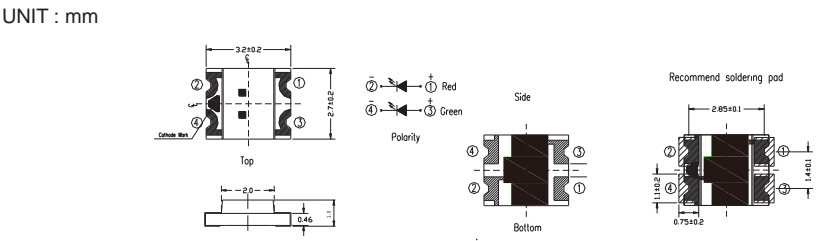
Product	Size (LxWxHmm)	Color		I _V		V _F		IF (mA)
		Color	Wavelength nm / CIE	I _V (mcd) min.	I _V (mcd) max.	V _F (V) min.	V _F (V) max.	
15-21/B6C-YR1S2B2/2T	3.2x1.5x1.0	● Blue	470	112	285	2.9	3.6	20
15-21/B6C-ZQ1R1N/2T	3.2x1.5x1.0	● Blue	470	72	140	2.7	3.7	20
15-21/BHC-AN1P2/2T	3.2x1.5x1.0	● Blue	470	28.5	72	2.7 / 3.3	3.7	20
15-21/G6C-AN1P2/2T	3.2x1.5x1.0	● Brilliant Yellow Green	573	28.5	72	1.7/2.0	2.4	20
15-21/G6C-FM1N2B/2T	3.2x1.5x1.0	● Brilliant Yellow Green	573	18	45	1.75	2.35	20
15-21/G6C-FP1Q1L/2T	3.2x1.5x1.0	● Brilliant Yellow Green	573	45	90	1.7	2.3	20
15-21/GHC-XS1T1/2T	3.2x1.5x1.0	● Brilliant Green	525	180	360	2.7 / 3.3	3.7	20
15-21/GHC-YR2U1/3T	3.2x1.5x1.0	● Brilliant Green	525	140	565	2.7 / 3.3	3.7	20
15-21/R6C-AN1P2/2T	3.2x1.5x1.0	● Brilliant Red	624	28.5	72	1.7 / 2	2.4	20
15-21/R6C-FQ1R1B/2T	3.2x1.5x1.0	● Brilliant Red	624	72	140	1.75	2.35	20
15-21/S2C-AQ2R2B/2T	3.2x1.5x1.0	● Brilliant Orange	605	90	180	1.75	2.35	20
15-21/S3C-AP1Q2/2T	3.2x1.5x1.0	● Reddish Orange	615	45	112	1.7 / 2.0	2.4	20
15-21/T1D-CP1Q2TY/2T	3.2x1.5x1.0	○ Pure White	x=0.274, y=0.226	45	112	2.6	3	5
15-21/T7D-JQ2S1PY/2T	3.2x1.5x1.0	○ Pure White	x=0.274, y=0.226	90	225	2.7	3.3	5
15-21/Y2C-AP1QB/2T	3.2x1.5x1.0	● Brilliant Yellow	589	45	90	1.75	2.35	20
15-21/Y2C-CP1Q2B/2T	3.2x1.5x1.0	● Brilliant Yellow	589	45	112	1.75	2.35	20

SMD LED | Surface Mount Chip LED (PCB) | Top View LED



Product	Size (LxWxHmm)	Color		I_V			V_F			IF (mA)
		Color	Wavelength nm / CIE	I_V (mcd) min.	I_V (mcd) typ.	I_V (mcd) max.	V_F (V) min.	V_F (V) typ.	V_F (V) max.	
42-21/BHC-AUW/1T	3.2x2.4x2.5	Blue	470	450	-	1800	2.7	3.3	3.7	20
42-21SURC/S530-A4/TR8	3.2x2.4x2.5	Brilliant Red	624	316	470	-	1.7	2.0	2.4	20
42-21UYC/S530-A2/TR8	3.2x2.4x2.5	Brilliant Yellow	589	99	247	-	1.7	2.0	2.4	20
42-21SYGC/S530-E2/TR8	3.2x2.4x2.5	Brilliant Yellow Green	573	230	460	-	1.7	2.0	2.4	20
42-21A/BHC-ZV1W2N/1T	3.2x2.4x2.5	Blue	470	715	-	1800	2.65	-	3.75	20
42-21A/Y2C-ATW/1T	3.2x2.4x2.5	Brilliant Yellow	585.5-594.5	285	-	1800	1.7	2.0	2.4	20

SMD LED | Surface Mount Chip LED (PCB) | Top View Bi-Color

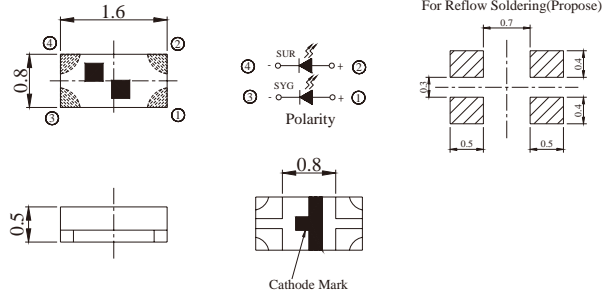


Product	Size (LxWxHmm)	Color		I_V			V_F			IF (mA)
		Color	Wavelength nm / CIE	I_V (mcd) min.	I_V (mcd) typ.	I_V (mcd) max.	V_F (V) min.	V_F (V) typ.	V_F (V) max.	
15-22/R6G6C-A32/2T	3.2x2.7x1.1	Brilliant Red Brilliant Yellow Green	R6:624 G6:573	R6:45 G6:28.5	-	R6:112 G6:72	R6:1.7 G6:1.7	R6:2 G6:2	R6:2.4 G6:2.4	R6:20 G6:20
15-22/R8T1D-D30/2T	3.2x2.7x1.1	Deep Red Pure White	R8:629.5 T1:----	R8:4.5 T1:36	-	R8:11.5 T1:90	R8:1.75 T1:2.5	-	R8:2.35 T1:3.5	R8:2 T1:2
15-22/BHG6C-A31/2T	3.2x2.7x1.1	Blue Brilliant Yellow Green	BH:467.5 GH:569.5	BH:45 GH:28.5	-	BH:112 GH:72	BH:2.7 GH:1.7	BH:3.3 GH:2.0	BH:3.7 GH:2.4	20

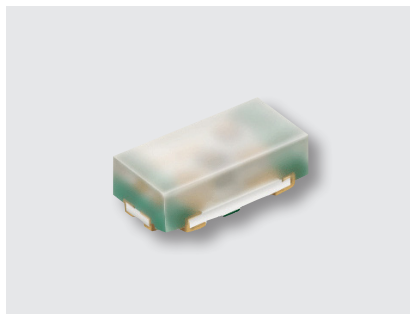
SMD LED | Surface Mount Chip LED (PCB) | Top View Bi-Color



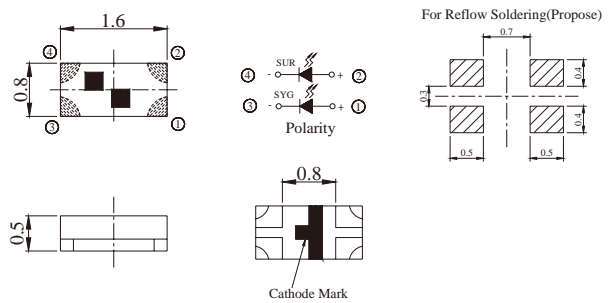
UNIT : mm



Product	Size (LxWxHmm)	Color		I _V			V _F			IF (mA)
		Color	Wavelength nm / CIE	I _V (mcd) min.	I _V (mcd) max.	V _F (V) min.	V _F (V) max.	V _F (V) max.		
18-225/B6R6C-C01/3T	1.6x0.8x0.5	● Blue ● Brilliant Red	B6 : 470 R6 : 624	B6 : 18 / 28.5 R6 : 18 / 28.5	-	B6 : 2.7 / 3.3 R6 : 1.7 / 2.0	B6 : 3.7 R6 : 2.4	5		
18-225/R6G6C-A01/3T	1.6x0.8x0.5	● Brilliant Red ● Brilliant Yellow Green	R6 : 624 G6 : 573	R6 : 45 G6 : 28.5	R6 : 112 G6 : 72	R6 : 1.7 / 2 G6 : 1.7 / 2	R6 : 2.4 G6 : 2.4	20		
18-225/S2G6C-A01/3T	1.6x0.8x0.5	● Brilliant Orange ● Brilliant Yellow Green	S2 : 605 G6 : 573	S2 : 32 / 48 G6 : 16 / 24	-	S2 : 1.7 / 2 G6 : 1.7 / 2	S2 : 2.4 G6 : 2.4	20		



UNIT : mm



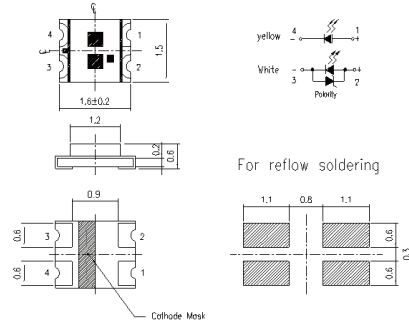
Product	Size (LxWxHmm)	Color		I _V			V _F			IF (mA)
		Color	Wavelength nm / CIE	I _V (mcd) min.	I _V (mcd) typ.	I _V (mcd) max.	V _F (V) min.	V _F (V) typ.	V _F (V) max.	
18-225A/R6GHW-B01/3T	1.6x0.8x0.5	● Brilliant Red	R6:624	R6:28.5	-	R6:72	R6:1.7	R6:2	R6:2.4	10
	1.6x0.8x0.5	● Brilliant Green	GH:525	GH:72	-	GH:180	GH:2.7	GH:3.3	GH:3.7	10

SMD LED

SMD LED | Surface Mount Chip LED (PCB) | Top View Bi-Color



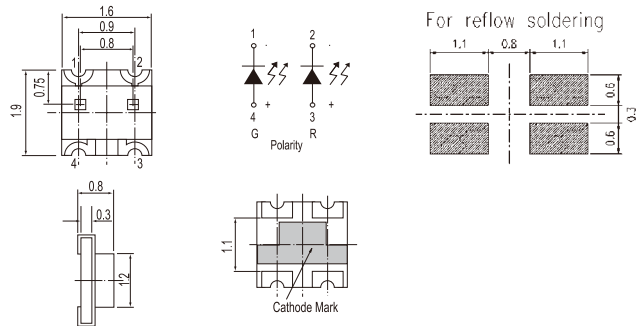
UNIT : mm



Product	Size (LxWxHmm)	Color		I _V		V _F		IF (mA)
		Color	Wavelength nm / CIE	I _V (mcd) min.	I _V (mcd) max.	V _F (V) min.	V _F (V) max.	
19-123/R6GHC-D01/2T	1.6x1.5x0.6	● Brilliant Red ● Brilliant Green	R6:617.5-633.5 GH:520-535	R6:9 GH:18.5	R6:22.5 GH:45	R6:1.55 GH:2.35	R6:2.15 GH:3.05	2

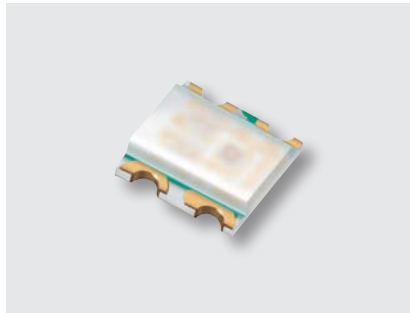


UNIT : mm

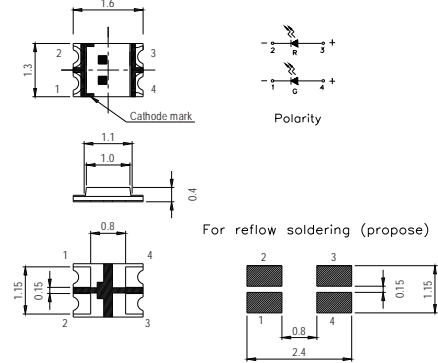


Product	Size (LxWxHmm)	Color		I _V		V _F		IF (mA)
		Color	Wavelength nm / CIE	I _V (mcd) min.	I _V (mcd) max.	V _F (V) min.	V _F (V) max.	
19-22/G6R6C-A31/2T	1.9x1.6x0.8	● Brilliant Yellow Green ● Brilliant Red	G6 : 573 R6 : 624	G6 : 22.5 R6 : 45	G6 : 57 R6 : 90	G6 : 1.7 / 2 R6 : 1.7 / 2	G6 : 2.4 R6 : 2.4	20
19-22/R6BHC-B01/2T	1.9x1.6x0.8	● Brilliant Red ● Blue	R6 : 624 BH : 470	R6 : 14.5 / 20 BH : 14.5 / 20	--	R6 : 1.9 BH : 2.9	R6 : 2.3 BH : 3.3	10
19-22/R6G6C-A01/2T	1.9x1.6x0.8	● Brilliant Red ● Brilliant Yellow Green	R6 : 624 G6 : 573	R6 : 45 G6 : 45	R6 : 72 G6 : 72	R6 : 1.7 / 2 G6 : 1.7 / 2	R6 : 2.4 G6 : 2.4	20
19-22/R6GHC-C02/2T	1.9x1.6x0.8	● Brilliant Red ● Brilliant Green	R6 : 624 GH : 525	R6 : 14.5 / 20 GH : 45 / 65	--	R6 : 1.9 GH : 2.9	R6 : 2.3 GH : 3.4	5
19-22/Y2G6C-A14/2T	1.9x1.6x0.8	● Brilliant Yellow ● Brilliant Yellow Green	Y2 : 589 G6 : 573	Y2 : 45 G6 : 28.5	Y2 : 112 G6 : 72	Y2 : 1.7 / 2 G6 : 1.7 / 2	Y2 : 2.4 G6 : 2.4	20

SMD LED | Surface Mount Chip LED (PCB) | Top View Bi-Color



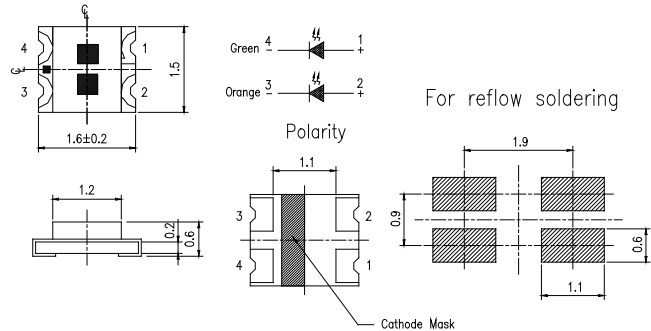
UNIT : mm



Product	Size (LxWxHmm)	Color		I _V		V _F		IF (mA)
		Color	Wavelength nm / CIE	I _V (mcd) min.	I _V (mcd) max.	V _F (V) min.	V _F (V) max.	
19-226/R6BHC-B01/2T	1.6x1.3x0.4	● Brilliant Red ● Blue	R6 : 624 BH : 470	R6 : 72 BH : 45	Tye. R6 : 100 BH : 80	R6 : 1.7 / 2 BH : 2.7 / 3.3	R6 : 2.4 BH : 3.7	10
19-226/R6G7C-B02/2T	1.6x1.3x0.4	● Brilliant Red ● Brilliant Yellow Green	R6 : 624 G7 : 573	R6 : 22.5 G7 : 7.2	Max. R6 : 57 G7 : 18	R6 : 1.7 / 2 G7 : 1.7 / 2	R6 : 2.4 G7 : 2.4	10
19-226/R6GHC-A03/2T	1.6x1.3x0.4	● Brilliant Red ● Brilliant Green	R6 : 624 GH : 525	R6 : 72 GH : 112	Max. R6 : 140 GH : 225	R6 : 1.7 / 2 GH : 2.7 / 3.3	R6 : 2.4 GH : 3.7	20



UNIT : mm

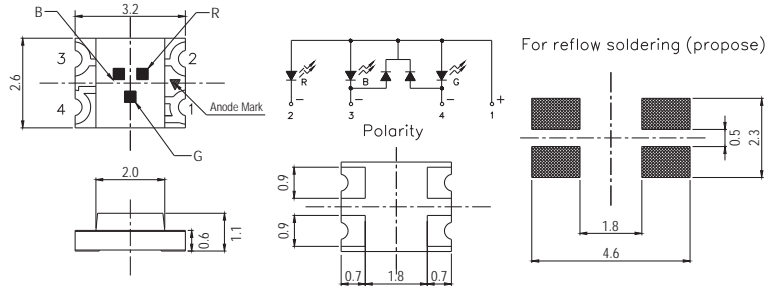


Product	Size (LxWxHmm)	Color		I _V		V _F		IF (mA)
		Color	Wavelength nm / CIE	I _V (mcd) min.	I _V (mcd) max.	V _F (V) min.	V _F (V) max.	
19-223/G6S2C-A01/2T	1.6x1.5x0.6	● Brilliant Yellow Green ● Brilliant Orange	G6 : 573 S2 : 605	G6 : 30 S2 : 90	G6 : 60 S2 : 180	G6 : 2 S2 : 2	G6 : 2.4 S2 : 2.4	20
19-223/R6BHC-A05/2T	1.6x1.5x0.6	● Brilliant Red ● Blue	R6 : 624 BH : 470	R6 : 72 BH : 36	R6 : 180 BH : 72	R6 : 1.7 / 2 BH : 2.7 / 3.3	R6 : 2.4 BH : 3.7	20
19-223/R6G6C-A01/2T	1.6x1.5x0.6	● Brilliant Red ● Brilliant Yellow Green	R6 : 624 G6 : 573	R6 : 72 G6 : 22.5	R6 : 180 G6 : 57	R6 : 1.7 / 2 G6 : 1.7 / 2	R6 : 2.4 G6 : 2.4	20
19-223/R7BHC-A30/2T	1.6x1.5x0.6	● Dark Red ● Blue	R7 : 631 BH : 470	R7 : 45 BH : 36	R7 : 112 BH : 90	R7 : 1.7 / 2 BH : 2.7 / 3.3	R7 : 2.4 BH : 2.7 / 3.7	20
19-223/R7G6C-A01/2T	1.6x1.5x0.6	● Dark Red ● Brilliant Yellow Green	R7 : 631 G6 : 573	R7 : 18 G6 : 18	R7 : 72 G6 : 72	R7 : 2 G6 : 2	R7 : 2.4 G6 : 2.4	20
19-223/S2BHC-A01/2T	1.6x1.5x0.6	● Brilliant Orange ● Blue	S2 : 605 BH : 470	S2 : 72 BH : 36	S2 : 140 BH : 72	S2 : 1.7 / 2 BH : 3	S2 : 2.4 BH : 3.5	20
19-223/S2T1D-C30/2T	1.6x1.5x0.6	● Brilliant Orange ○ Pure White	S2 : 605 x=0.274, y=0.226	S2 : 18 T1 : 45	S2 : 45 T1 : 112	S2 : 1.55 T1 : 2.7	S2 : 2.15 T1 : 3.3	5
19-223/Y2G6C-A01/2T	1.6x1.5x0.6	● Brilliant Yellow ● Brilliant Yellow Green	Y2 : 589 G6 : 573	Y2 : 36 G6 : 28.5	Y2 : 72 G6 : 57	Y2 : 1.7 / 2 G6 : 1.7 / 2	Y2 : 2.4 G6 : 2.4	20

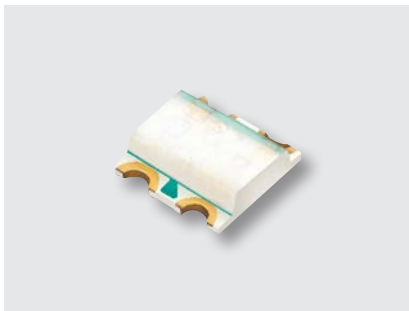
SMD LED | Surface Mount PLCC LED (Reflector) | Top View Full Color



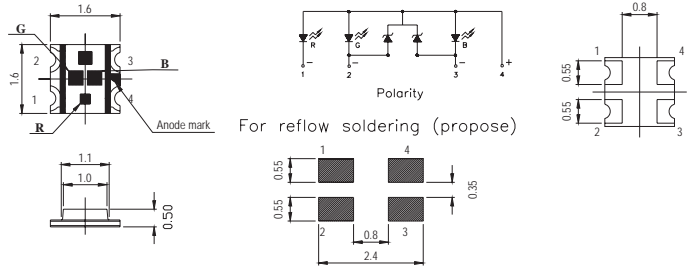
UNIT : mm



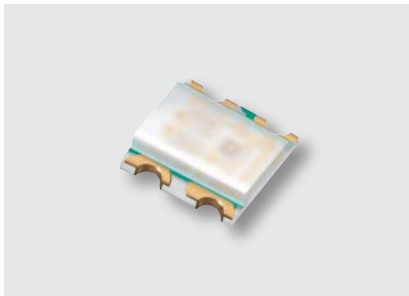
Product	Size (LxWxHmm)	Color		I _V		V _F			IF (mA)
		Color	Wavelength nm / CIE	I _V (mcd) min.	I _V (mcd) typ.	V _F (V) min.	V _F (V) typ.	V _F (V) max.	
15-13D/R6GHBHC-A01/2T	3.2x2.6x1.1	● Brilliant Red	R6 : 624	90	140	1.7	2	2.4	20
	3.2x2.6x1.1	● Brilliant Green	GH : 525	112	180	2.7	3.3	3.7	20
	3.2x2.6x1.1	● Blue	BH : 470	45	70	2.7	3.3	3.7	20



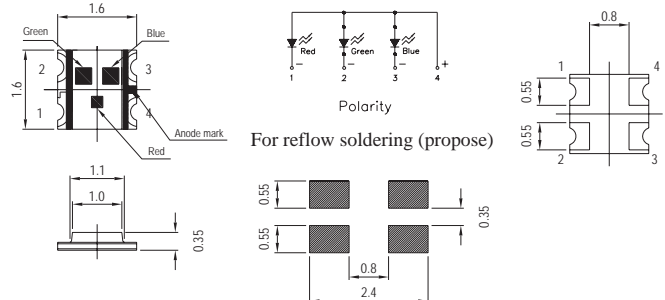
UNIT : mm



Product	Size (LxWxHmm)	Color		I _V	V _F		IF (mA)
		Color	Wavelength nm / CIE	I _V (mcd) min.	V _F (V) min.	V _F (V) max.	
19-137/R6GHBHC-A01/2T	1.6x1.6x0.5	● Brilliant Red	R6 : 624	R6 : 72 / 100	R6 : 1.7 / 2	R6 : 2.4	20
		● Brilliant Green	GH : 525	GH : 112 / 180	GH : 2.7 / 3.3	GH : 3.7	
		● Blue	BH : 470	BH : 28.5 / 50	BH : 2.7 / 3.3	BH : 3.7	

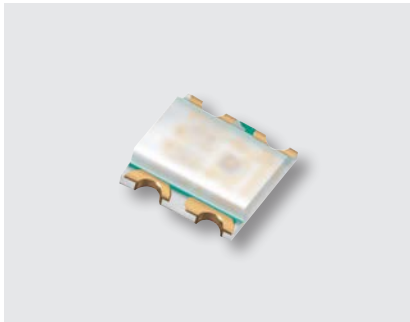


UNIT : mm

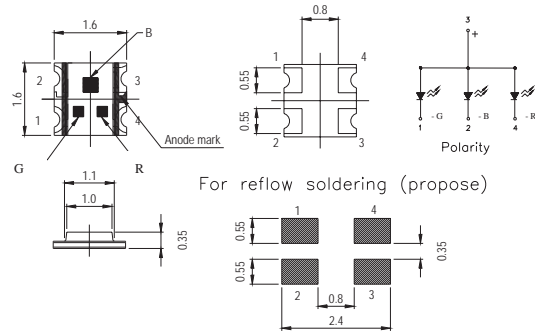


Product	Size (LxWxHmm)	Color		I _V	V _F		IF (mA)
		Color	Wavelength nm / CIE	I _V (mcd) min.	V _F (V) min.	V _F (V) max.	
19-237/R6GHBHC-A04/2T	1.6x1.6x0.35	● Brilliant Red	R6 : 624	R6 : 18 / 30	R6 : 1.9	R6 : 2.2	20
		● Brilliant Green	GH : 525	GH : 28.5 / 60	GH : 2.6	GH : 3	
		● Blue	BH : 470	BH : 11.5 / 18	BH : 2.6	BH : 3	

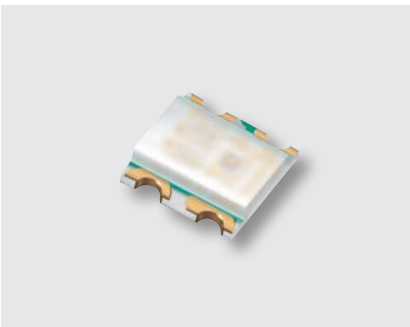
SMD LED | Surface Mount Chip LED (PCB) | Top View Full Color



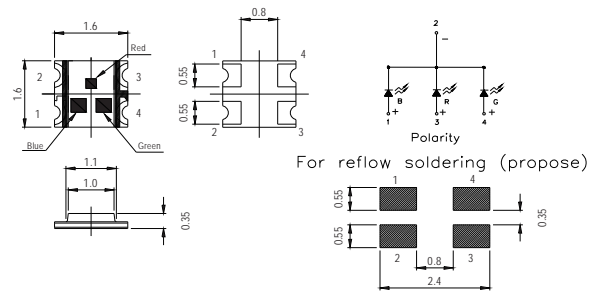
UNIT : mm



Product	Size (LxWxHmm)	Color		I _V			V _F			IF (mA)
		Color	Wavelength nm / CIE	I _V (mcd) min.	I _V (mcd) typ.	I _V (mcd) max.	V _F (V) min.	V _F (V) typ.	V _F (V) max.	
19-237A/BHR6GHC-A01/2T	1.6x1.6x0.35	● Brilliant Red	R6 : 614	72	-	285	1.7	-	2.4	20
	1.6x1.6x0.35	● Brilliant Green	GH : 518	112	-	285	2.7	-	3.8	20
	1.6x1.6x0.35	● Blue	BH : 465	28.5	-	112	2.7	-	3.8	20



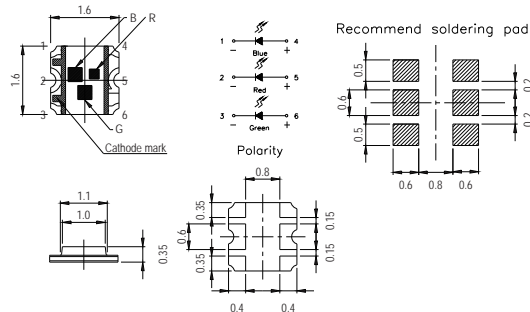
UNIT : mm



Product	Size (LxWxHmm)	Color		I _V			V _F			IF (mA)
		Color	Wavelength nm / CIE	I _V (mcd) min.	I _V (mcd) typ.	I _V (mcd) max.	V _F (V) min.	V _F (V) typ.	V _F (V) max.	
19-237B/R6GHBHC-C01/2T	1.6x1.6x0.35	● Brilliant Red	R6 : 613	18	-	57	1.7	-	2.2	5
	1.6x1.6x0.35	● Brilliant Green	GH : 520	28.5	-	112	2.6	-	3.3	5
	1.6x1.6x0.35	● Blue	BH : 465	11.5	-	285	2.6	-	3.3	5



UNIT : mm



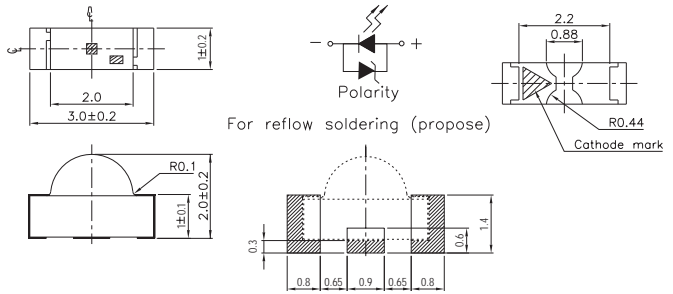
Product	Size (LxWxHmm)	Color		I _V			V _F			IF (mA)
		Color	Wavelength nm / CIE	I _V (mcd) min.	I _V (mcd) typ.	I _V (mcd) max.	V _F (V) min.	V _F (V) typ.	V _F (V) max.	
19-337/R6GHBHC-A01/2T	1.6x1.6x0.35	● Brilliant Red	R6 : 614	72	-	225	1.7	-	2.4	20
	1.6x1.6x0.35	● Brilliant Green	GH : 520	180	-	360	2.7	-	3.8	20
	1.6x1.6x0.35	● Blue	BH : 465	36	-	90	2.7	-	3.8	20

SMD LED

SMD LED | Surface Mount Chip LED (PCB) | Side View (0.2T~1.0T)



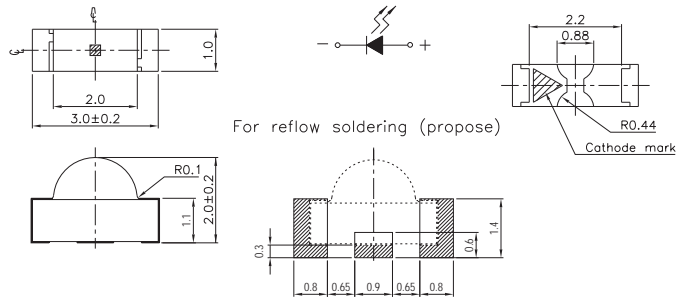
UNIT : mm



Product	Size (LxWxHmm)	Color		I _V			V _F			IF (mA)
		Color	Wavelength nm / CIE	I _V (mcd) min.	I _V (mcd) typ.	I _V (mcd) max.	V _F (V) min.	V _F (V) typ.	V _F (V) max.	
12-11/BHC-ZL1M2QY/2C	3.0x2.0x1.0	● Blue	465	11.5	-	28.5	2.7	-	3.2	5
12-11/T3D-CP1Q2B12Y/2C	3.0x2.0x1.0	○ Pure White	-	45	-	112	2.7	-	3.4	5



UNIT : mm

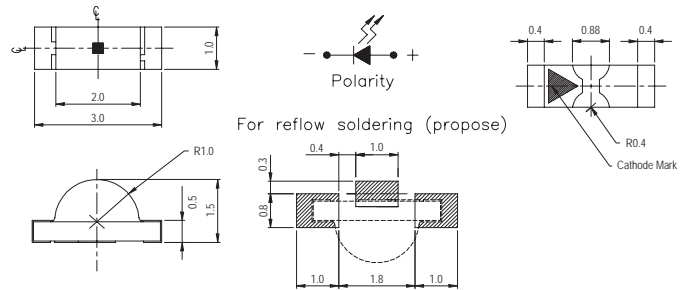


Product	Size (LxWxHmm)	Color		I _V			V _F			IF (mA)
		Color	Wavelength nm / CIE	I _V (mcd) min.	I _V (mcd) typ.	I _V (mcd) max.	V _F (V) min.	V _F (V) typ.	V _F (V) max.	
12-21/BHC-AN1P2/2C	3.0x2.0x1.0	● Blue	470	28.5	-	72	2.7 / 3.3	-	3.7	20
12-21/BHC-ZL1M2RY/2C	3.0x2.0x1.0	● Blue	470	11.5	-	28.5	2.5	-	3.1	5
12-21/GHC-YR2S2/2C	3.0x2.0x1.0	● Brilliant Green	525	140	-	285	3.5	-	4.3	20
12-21/R8C-AN1P2B/2D	3.0x2.0x1.0	● Deep Red	639	28.5	-	72	1.75	-	2.35	20
12-21/T3D-AQ2S2M/2C	3.0x2.0x1.0	○ Pure White	x=0.274, y=0.226	90	-	285	2.75	-	3.95	20

SMD LED | Surface Mount Chip LED (PCB) | Side View (0.2T~1.0T)



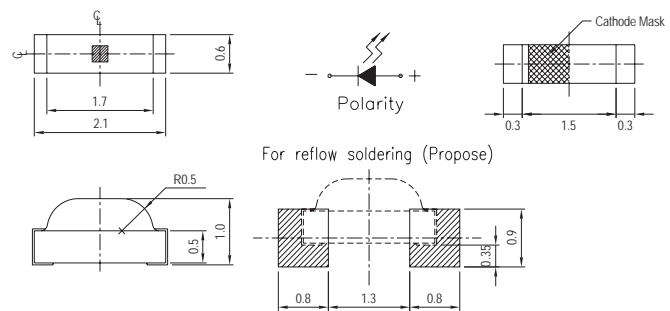
UNIT : mm



Product	Size (LxWxHmm)	Color		I _V			V _F			IF (mA)
		Color	Wavelength nm / CIE	I _V (mcd) min.	I _V (mcd) typ.	I _V (mcd) max.	V _F (V) min.	V _F (V) typ.	V _F (V) max.	
12-21C/BHC-AN1P2/2C	3.0x1.5x1.0	● Blue	470	28.5	-	72	2.7 / 3.3	-	3.7	20
12-21C/R6C-AS1T1B/2C	3.0x1.5x1.0	● Brilliant Red	624	180	-	360	1.75	-	2.35	20
12-21C/T3D-CP1Q2B12Y/2C	3.0x1.5x1.0	○ Pure White	x=0.274, y=0.226	45	-	112	2.7	-	3.4	5



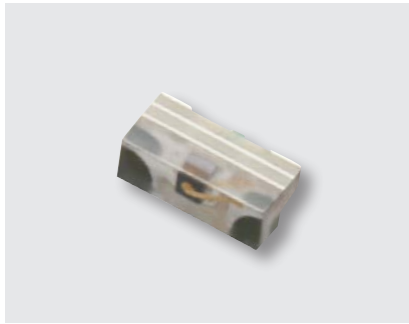
UNIT : mm



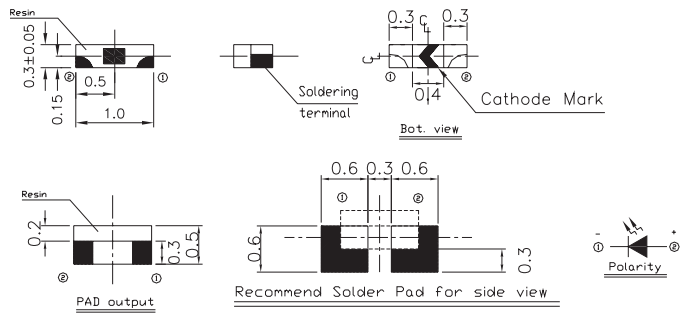
Product	Size (LxWxHmm)	Color		I _V		V _F		IF (mA)
		Color	Wavelength nm / CIE	I _V (mcd) min.	I _V (mcd) max.	V _F (V) min.	V _F (V) max.	
12-215/R6C-AR1S1B/3C	2.1x1.0x0.6	● Brilliant Red	624	112	225	1.75	2.35	20
12-215/BHC-AP1Q2/3C	2.1x1.0x0.6	● Blue	470	45	112	2.7/3.3	3.7	20
12-215/G6C-BN2P2L/3C	2.1x1.0x0.6	● Brilliant Yellow Green	573	36	72	1.7	2.3	20
12-215/T1D-AQ2R1HY/3C	2.1x1.0x0.6	○ White	-	90	140	2.7	3.15	5

SMD LED

SMD LED | Surface Mount Chip LED (PCB) | Side View (0.2T~1.0T)



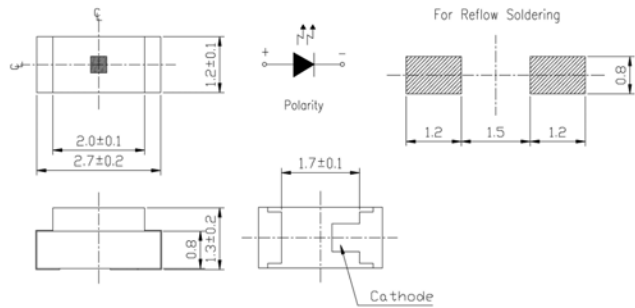
UNIT : mm



Product	Size (LxWxHmm)	Color		I _v			V _F			IF (mA)
		Color	Wavelength nm / CIE	I _v (mcd) min.	I _v (mcd) typ.	I _v (mcd) max.	V _F (V) min.	V _F (V) typ.	V _F (V) max.	
16-916/T1D-AP1Q2QY/3T	1.0x0.5x0.3	○ Pure White	x=0.274 y=0.226	45	-	112	2.7	-	3.2	5



UNIT : mm

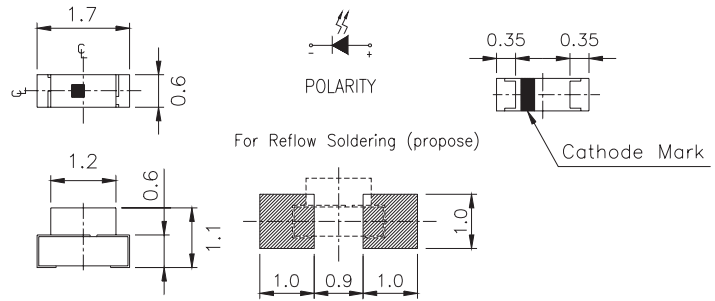


Product	Size (LxWxHmm)	Color		I _v			V _F			IF (mA)
		Color	Wavelength nm / CIE	I _v (mcd) min.	I _v (mcd) typ.	I _v (mcd) max.	V _F (V) min.	V _F (V) typ.	V _F (V) max.	
22-21/GHC-YR1S2/2C	2.7x1.3x1.2	● Brilliant Green	525	112	-	285	2.7	3.3	3.7	20
22-21/Y2C-CP1Q1B/2C	2.7x1.3x1.2	● Brilliant Yellow	589	45	-	90	1.75	-	2.35	20
22-21/R6C-AJ2L1AX/2C	2.7x1.3x1.2	● Brilliant Red	624	5.8	-	14.5	1.55	-	2.15	2
22-21/BHC-AN1P2/2C	2.7x1.3x1.2	● Blue	470	28.5	-	72	3.8	-	4.5	20

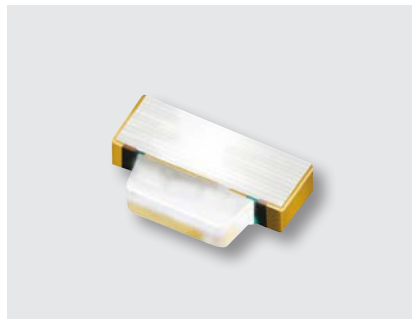
SMD LED | Surface Mount Chip LED (PCB) | Side View (0.2T~1.0T)



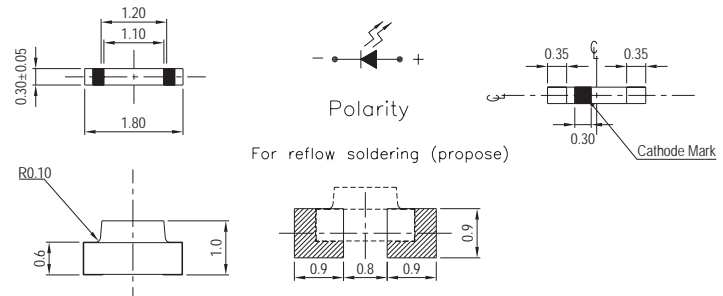
UNIT : mm



Product	Size (LxWxHmm)	Color		I _v		V _F		IF (mA)
		Color	Wavelength nm / CIE	I _v (mcd) min.	I _v (mcd) max.	V _F (V) min.	V _F (V) max.	
27-21/BHC-AN1P2/3C	1.7x1.1x0.6	●Blue	470	28.5	72	2.7 / 3.3	3.7	20
27-21/BHC-AP1Q2/3C	1.7x1.1x0.6	●Blue	470	45	112	2.7 / 3.3	3.7	20
27-21/GHC-YR1S2M/3C	1.7x1.1x0.6	●Brilliant Green	525	112	285	2.75	3.95	20
27-21/R6C-AP1Q2B/3C	1.7x1.1x0.6	●Brilliant Red	624	45	112	1.75	2.35	20
27-21/T3D-AP2Q2HY/3C	1.7x1.1x0.6	○Pure White	x=0.274, y=0.226	57	112	2.7	3.15	5
27-21/Y2C-CPQB/3D	1.7x1.1x0.6	●Brilliant Yellow	589	45	112	1.75	2.35	20

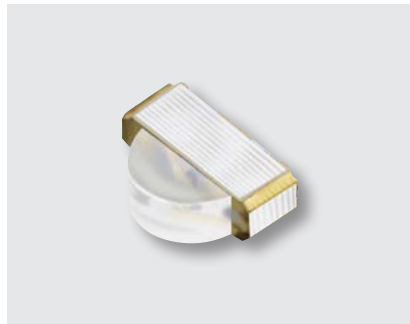


UNIT : mm

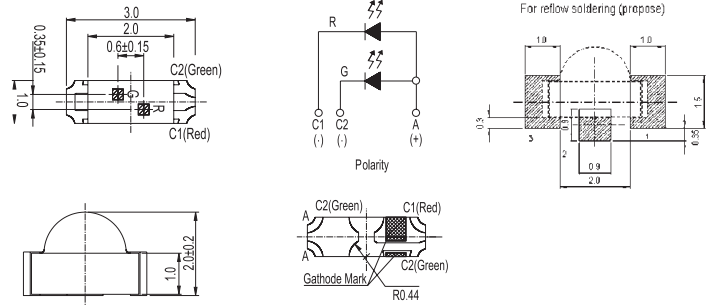


Product	Size (LxWxHmm)	Color		I _v		V _F		IF (mA)
		Color	Wavelength nm / CIE	I _v (mcd) min.	I _v (mcd) max.	V _F (V) min.	V _F (V) max.	
48-213/BHC-ZM2P1QY/3C	1.8x1.0x0.3	●Blue	470	22.5	57	2.7	3.2	5
48-213/R6C-AM1N2VY/3C	1.8x1.0x0.3	●Brilliant Red	624	18	45	1.7	2.2	5
48-213/T2D-AQ2R2QY/3C	1.8x1.0x0.3	○Pure White	x=0.274, y=0.226	90	180	2.7	3.2	5
48-213/T7D-BQ1R2QY/3C	1.8x1.0x0.3	○Pure White	x=0.274, y=0.226	72	180	2.7	3.2	5

SMD LED | Surface Mount Chip LED (PCB) | Side View Bi-Color



UNIT : mm

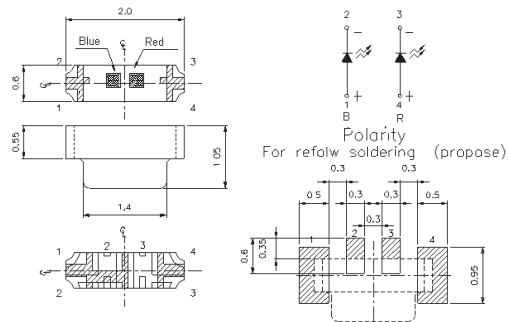


Product	Size (LxWxHmm)	Color		I _v			V _F			IF (mA)
		Color	Wavelength nm / CIE	I _v (mcd) min.	I _v (mcd) typ.	I _v (mcd) max.	V _F (V) min.	V _F (V) typ.	V _F (V) max.	
12-22/BHR6C-A01/2C	3.0x2.0x1.0	● Brilliant Red ● Blue	R6:624 BH:470	R6:22.5 BH:18	R6:30 BH:26	-	R6:1.7 BH:2.7	-	R6:2.2 BH:3.1	5
12-22/BHS2C-C30/2C	3.0x2.0x1.0	● Blue ● Brilliant Orange	BH:470 S2:605	BH:18 S2:18	-	BH:45 S2:45	BH:2.7 S2:1.7	BH:3.3 S2:2.0	BH:3.7 S2:2.4	5
12-22/R7G6C-A10/2C	3.0x2.0x1.0	● Red ● Yellow Green	R7:631 G6:573	R7:45 G6:45	-	R7:90 G6:90	R7:1.7 G6:1.7	R7:2.0 G6:2.0	R7:2.4 G6:2.4	20
12-22/R6T3D-C30/2C	3.0x2.0x1.0	● Brilliant Red ○ Pure White	R6:624 X:0.274 Y:0.226	R6:18 T1:57	-	R6:45 T1:112	R6:1.7 T1:2.5	-	R6:2.2 T1:3.2	5
12-22/G6R8C-A30/2C	3.0x2.0x1.0	● Brilliant Yellow Green ● Deep Red	G6 : 573 R8 : 639	G6 : 28.5 R8 : 28.5	-	G6 : 72 R8 : 72	G6 : 1.7 R8 : 1.7	G6 : 2 R8 : 2	G6 : 2.4 R8 : 2.4	20
12-22/R6GHC-A30/2C	3.0x2.0x1.0	● Brilliant Red ● Brilliant Green	R6 : 624 GH : 525	R6 : 72 GH : 112	-	R6 : 180 GH : 285	R6 : 1.7 GH : 2.7	R6 : 2 GH : 3.3	R6 : 2.4 GH : 3.7	20
12-22/Y2G6C-A30/2C	3.0x2.0x1.0	● Brilliant Yellow ● Brilliant Yellow Green	Y2 : 589 G6 : 573	Y2 : 45 G6 : 28.5	-	Y2 : 112 G6 : 72	Y2 : 1.7 G6 : 1.7	Y2 : 2 G6 : 2	Y2 : 2.4 G6 : 2.4	20

SMD LED



UNIT : mm

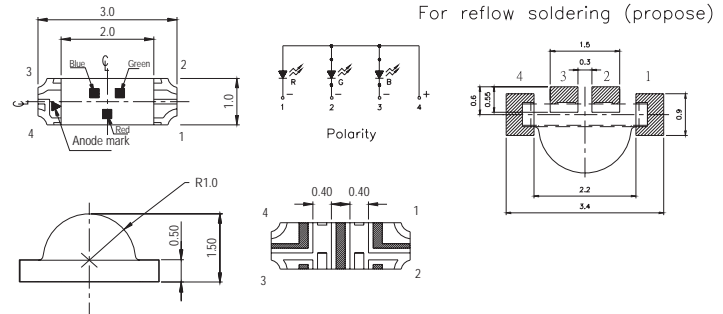


Product	Size (LxWxHmm)	Color		I _v			V _F			IF (mA)
		Color	Wavelength nm / CIE	I _v (mcd) min.	I _v (mcd) typ.	I _v (mcd) max.	V _F (V) min.	V _F (V) typ.	V _F (V) max.	
17-223/BHR7C-C30/3C	2.0x1.05x0.6	● Blue ● Dark Red	BH : 470 R7 : 631	BH :22.5 R7 :14.5	-	BH :57 R7 :36	BH :2.7 R7 :1.55	-	BH :3.2 R7 :2.15	5
17-223/R6G6C-D30/3C	2.0x1.05x0.6	● Brilliant Red ● Brilliant Yellow Green	R6:624 G6:573	R6:5.8 G6:2.3	-	R6:14.5 G6:5.8	R6:1.55 G6:1.55	-	R6:2.15 G6:2.15	2

SMD LED | Surface Mount Chip LED (PCB) | Side View Full Color



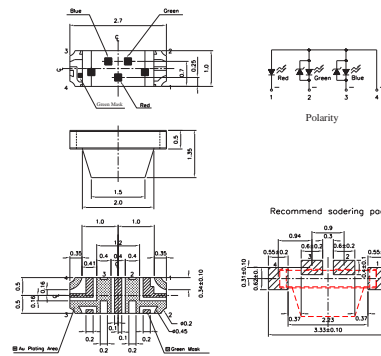
UNIT : mm



Product	Size (LxWxHmm)	Color		I _v			V _F			IF (mA)
		Color	Wavelength nm / CIE	I _v (mcd) min.	I _v (mcd) typ.	I _v (mcd) max.	V _F (V) typ.	V _F (V) max.	V _F (V) min.	
12-23C/R6GHHC-A01/2C	3.0x1.5x1.0	● Blue	BH : 470	BH : 32	BH : 50	BH : 3.3	BH : 3.9	BH : 2.4	20	
		● Brilliant Red	R6 : 624	R6 : 63	R6 : 90	R6 : 2	R6 : 2.4	R6 : 3.3		
		● Brilliant Green	GH : 525	GH : 125	GH : 180	GH : 3.3	GH : 3.9	GH : 2.4		
12-23C/S2GHHC-A01/2C	3.0x1.5x1.0	● Brilliant Orange	BH : 470	BH : 36	BH : 65	BH : 3.3	BH : 3.9	BH : 2.4	20	
		● Brilliant Green	GH : 525	GH : 140	GH : 210	GH : 3.3	GH : 3.9	GH : 2.4		
		● Blue	S2 : 605	S2 : 72	S2 : 140	S2 : 2	S2 : 2.4	S2 : 3.3		



UNIT : mm



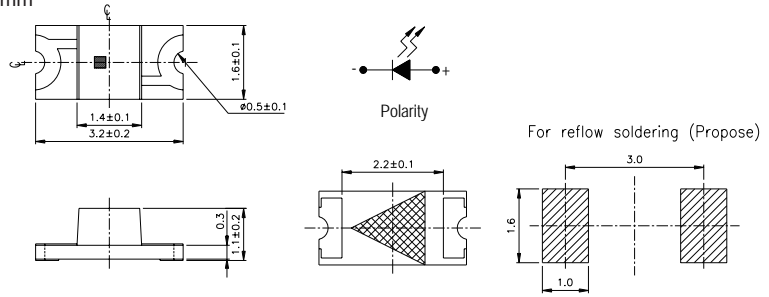
Product	Size (LxWxHmm)	Color		I _v			V _F			IF (mA)
		Color	Wavelength nm / CIE	I _v (mcd) min.	I _v (mcd) typ.	I _v (mcd) max.	V _F (V) min.	V _F (V) typ.	V _F (V) max.	
22-23/R6GHHC-A01/2C	2.7x1.35x1.0	● Blue	BH:470	28.5	45	—	2.7	3.3	3.7	20
	2.7x1.35x1.0	● Brilliant Red	R6:624	45	72	—	1.7	2	2.4	20
	2.7x1.35x1.0	● Brilliant Green	GH:525	112	180	—	2.7	3.3	3.7	20

SMD LED

SMD LED | Surface Mount Chip LED (PCB) | Reverse Mount



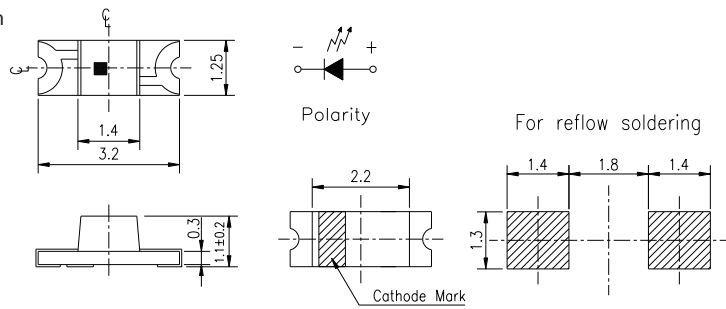
UNIT : mm



Product	Size (LxWxHmm)	Color		I _V			V _F			IF (mA)
		Color	Wavelength nm / CIE	I _V (mcd) min.	I _V (mcd) typ.	I _V (mcd) max.	V _F (V) min.	V _F (V) typ.	V _F (V) max.	
23-21/R6C-AM1N2AY/2A	3.2x1.6x1.1	● Brilliant Red	624	18	—	45	1.55	—	2.15	5
23-21/G6C-AL2N1/2A	3.2x1.6x1.1	● Brilliant Yellow Green	573	14.5	—	36	1.7	2.0	2.14	20
23-21/BHC-AM1N2TY/2A	3.2x1.6x1.1	● Blue	470	18	—	45	2.6	—	3	5

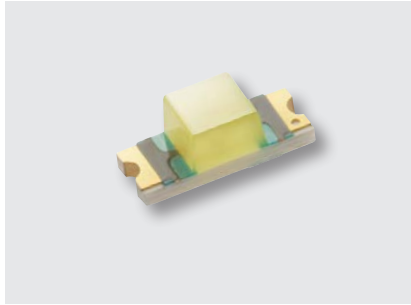


UNIT : mm

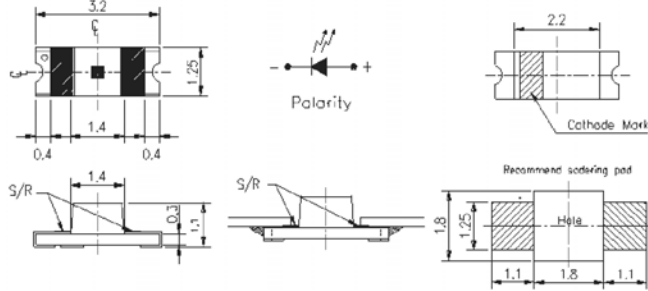


Product	Size (LxWxHmm)	Color		I _V			V _F			IF (mA)
		Color	Wavelength nm / CIE	I _V (mcd) min.	I _V (mcd) typ.	I _V (mcd) max.	V _F (V) min.	V _F (V) typ.	V _F (V) max.	
23-21B/G6C-AM2P1/2A	3.2x1.25x1.1	● Brilliant Yellow Green	573	22.5	—	57	1.7	2	2.4	20
23-21B/BHC-ZM1N2TY/2A	3.2x1.25x1.1	● Blue	470	18	—	45	2.6	—	3	5
23-21B/S2C-AP1Q2B/2A	3.2x1.25x1.1	● Brilliant Orange	605	455	—	112	1.75	—	2.35	20
23-21B/T1D-CP2Q2TY/2A	3.2x1.25x1.1	○ Pure White	X:0.274~0.314 Y:0.226~0.347	57	—	112	2.6	—	3	5

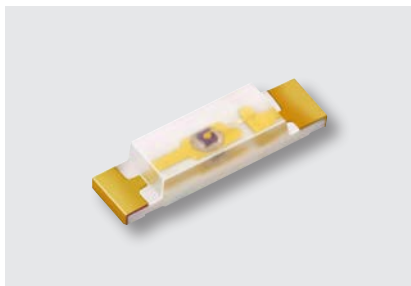
SMD LED | Surface Mount Chip LED (PCB) | Reverse Mount



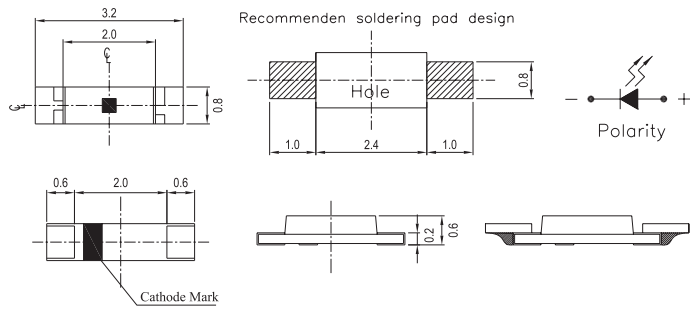
UNIT : mm



Product	Size (LxWxHmm)	Color		I _v			V _F			IF (mA)
		Color	Wavelength nm / CIE	I _v (mcd) min.	I _v (mcd) typ.	I _v (mcd) max.	V _F (V) min.	V _F (V) typ.	V _F (V) max.	
23-21C/T1D-CP2Q2TY/2A	3.2x1.25x1.1	○ Pure White	x=0.274, y=0.226	57	-	112	2.6	-	3	5



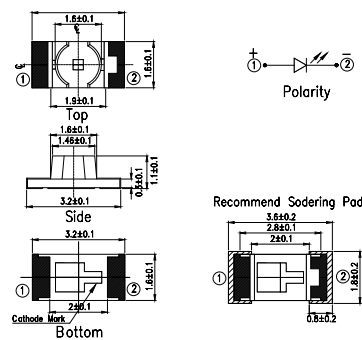
UNIT : mm



Product	Size (LxWxHmm)	Color		I _v			V _F			IF (mA)
		Color	Wavelength nm / CIE	I _v (mcd) min.	I _v (mcd) typ.	I _v (mcd) max.	V _F (V) min.	V _F (V) typ.	V _F (V) max.	
23-215A/BHC-DN2P2E/5A	3.2x0.8x0.6	● Blue	470	36	-	90	2.75	-	3.65	20



UNIT : mm

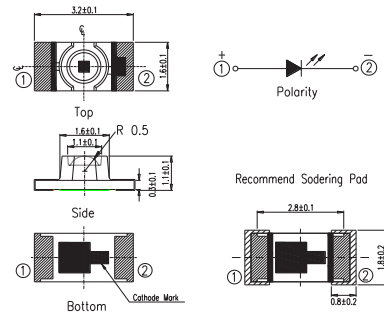


Product	Size (LxWxHmm)	Color		I _v			V _F			IF (mA)
		Color	Wavelength nm / CIE	I _v (mcd) min.	I _v (mcd) typ.	I _v (mcd) max.	V _F (V) min.	V _F (V) typ.	V _F (V) max.	
24-21/GHC-YR2U1/2A	3.2x1.6x1.1	● Brilliant Green	525	140	-	565	2.7	3.3	3.7	20
24-21/BHC-A1Q2/2A	3.2x1.6x1.1	● Blue	470	45	-	112	2.7	3.3	3.7	20

SMD LED | Surface Mount Chip LED (PCB) | Reverse Mount

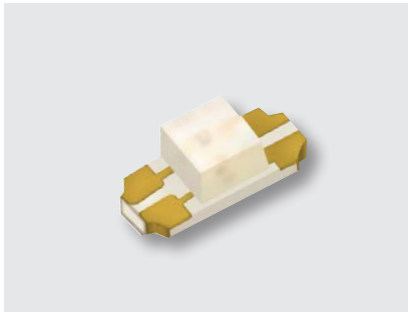


UNIT : mm

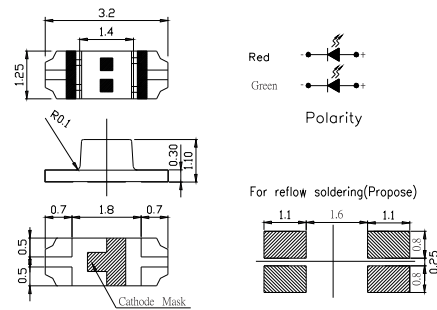


Product	Size (LxWxHmm)	Color		I _V			V _F			IF (mA)
		Color	Wavelength nm / CIE	I _V (mcd) min.	I _V (mcd) typ.	I _V (mcd) max.	V _F (V) min.	V _F (V) typ.	V _F (V) max.	
25-21/GHC-YSU/2A	3.2x1.6x1.1	● Brilliant Green	520	180	—	715	3.5	3.5	4.3	20
25-21/BHC-AR1S2E/2A	3.2x1.6x1.1	● Blue	470	112	—	285	2.75	—	3.65	20

SMD LED | Surface Mount Chip LED (PCB) | Reverse Mount Bi-Color



UNIT : mm

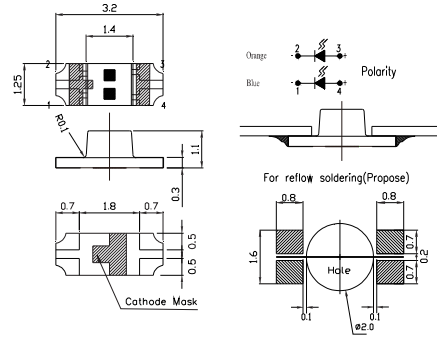


Product	Size (LxWxHmm)	Color		I _V			V _F			IF (mA)
		Color	Wavelength nm / CIE	I _V (mcd) min.	I _V (mcd) typ.	I _V (mcd) max.	V _F (V) min.	V _F (V) typ.	V _F (V) max.	
23-22B/R7G6C-A30/2T	3.2x1.25x1.1	● Dark Red ● Brilliant Yellow Green	R7:631 G6:573	R7:18 G6:14.5	-	R7:72 G6:45	R7:1.7 G6:1.7	R7:2 G6:2	R7:2.4 G6:2.4	20
23-22B/R7G6C-A30/2A	3.2x1.25x1.1	● Dark Red ● Brilliant Yellow Green	R7:631 G6:573	R7:18 G6:14.5	-	R7:72 G6:45	R7:1.7 G6:1.7	R7:2 G6:2	R7:2.4 G6:2.4	20
23-22B/T3S2D-C30/2A	3.2x1.25x1.1	○ Pure White ● Brilliant Orange	T3: X:0.274 Y:0.226 S2:605	T3:45 S2:9	-	T3:112 S2:22.5	T3:2.5 S2:1.55	T3:3.1 S2:1.85	T3:3.5 S2:2.25	5

SMD LED | Surface Mount Chip LED (PCB) | Reverse Mount Bi-Color

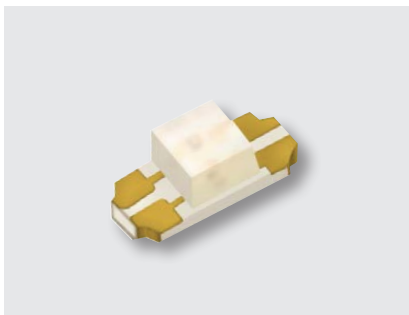


UNIT : mm

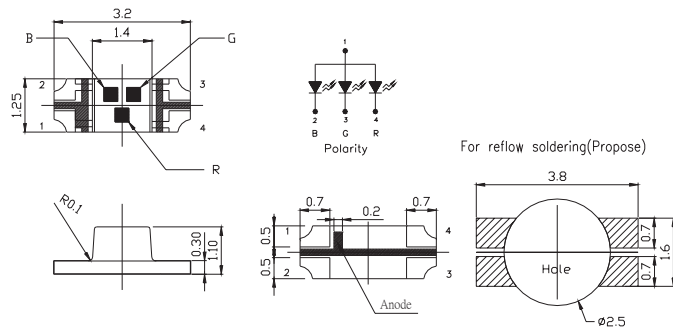


Product	Size (LxWxHmm)	Color		I _v			V _F			IF (mA)
		Color	Wavelength nm / CIE	I _v (mcd) min.	I _v (mcd) typ.	I _v (mcd) max.	V _F (V) min.	V _F (V) typ.	V _F (V) max.	
23-22C/S2BHC-B30/2A	3.2x1.25x1.1	● Brilliant Orange	S2 : 605	22.5	-	57	1.7	2	2.4	10
	3.2x1.25x1.1	● Blue	BH : 470	22.5	-	57	2.7	3.3	3.7	10

SMD LED | Surface Mount Chip LED (PCB) | Reverse Mount Full Color



UNIT : mm



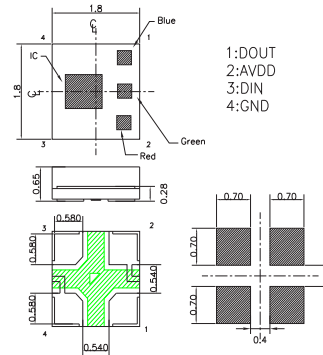
Product	Size (LxWxHmm)	Color		I _v			V _F			IF (mA)
		Color	Wavelength nm / CIE	I _v (mcd) min.	I _v (mcd) typ.	I _v (mcd) max.	V _F (V) min.	V _F (V) typ.	V _F (V) max.	
23-23B/R6GHBHC-A01/2A	3.2x1.25x1.1	● Brilliant Red	R6 : 624	72	100	-	1.7	2	2.4	20
	3.2x1.25x1.1	● Brilliant Green	GH : 525	140	200	-	2.7	3.3	3.7	20
	3.2x1.25x1.1	● Blue	BH : 470	45	65	-	2.7	3.3	3.7	20

SMD LED

SMD LED ■ Surface Mount (RGB+IC)



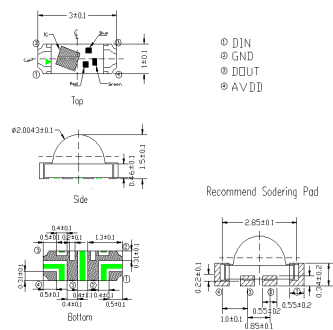
UNIT : mm



Product	Size (LxWxHmm)	Color		I _v			IF(mA)	View Angle(°)
		Color	Wavelength nm / CIE	I _v (mcd) min.	I _v (mcd) typ.	I _v (mcd) max.		
19-C47/RSGHBHC-5V01/2T	1.8 x 1.8 x 0.65	● Brilliant Red	617.5~629.5	28.5	70	180	5	120
	1.8 x 1.8 x 0.65	● Brilliant Green	525~540	140	180	360	5	120
	1.8 x 1.8 x 0.65	● Blue	465~475	28.5	40	72	5	120



UNIT : mm



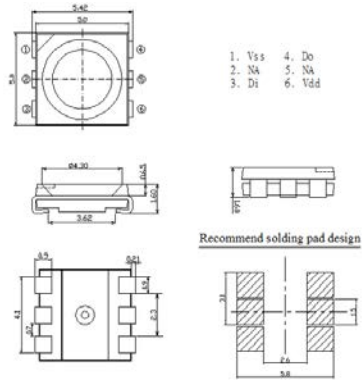
Product	Size (LxWxHmm)	Color		I _v			IF(mA)	View Angle(°)
		Color	Wavelength nm / CIE	I _v (mcd) min.	I _v (mcd) typ.	I _v (mcd) max.		
12-23C/RSGHBHW-5V01/2C	3.0 x 1.0 x 2.0	● Brilliant Red	617.5~629.5	22.5	-	72	5	130
	3.0 x 1.0 x 2.0	● Brilliant Green	525~540	45	-	140	5	130
	3.0 x 1.0 x 2.0	● Blue	465.5~476.5	18	-	57	5	130

SMD LED

SMD LED | Surface Mount (RGB+IC)



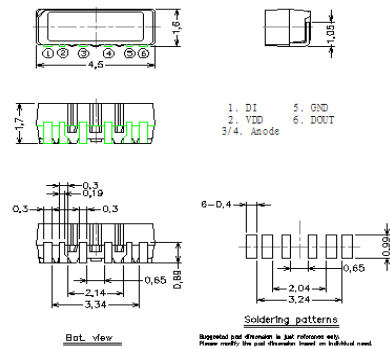
UNIT : mm



Product	Size (LxWxHmm)	Color		I _v			IF(mA)	View Angle(°)
		Color	Wavelength nm / CIE	I _v (mcd) min.	I _v (mcd) typ.	I _v (mcd) max.		
61-236-ICRQHGRBYC-A05-ET-CS	5.0 x 5.0 x 1.6	● Brilliant Red	617.5~629.5	90	-	280	5	120
	5.0 x 5.0 x 1.6	● Brilliant Green	525~540	280	-	900	5	120
	5.0 x 5.0 x 1.6	● Brilliant Blue	462~474	71	-	224	5	120

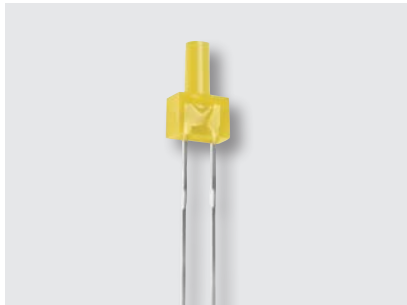


UNIT : mm

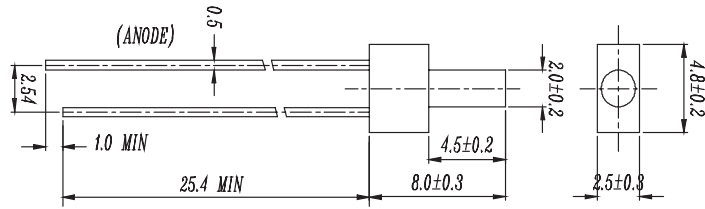


Product	Size (LxWxHmm)	Color		I _v			IF(mA)	View Angle(°)
		Color	Wavelength nm / CIE	I _v (mcd) min.	I _v (mcd) typ.	I _v (mcd) max.		
C4516SDWN3S1-RGBC0120-2H	4.5 x 1.6 x 1.7	● Brilliant Red	618~630	450	-	1120	20	120
	4.5 x 1.6 x 1.7	● Brilliant Green	520~535	1120	-	2800	20	120
	4.5 x 1.6 x 1.7	● Brilliant Blue	463~475	280	-	710	20	120

LED Lamps | 2mm Tower Type



UNIT : mm

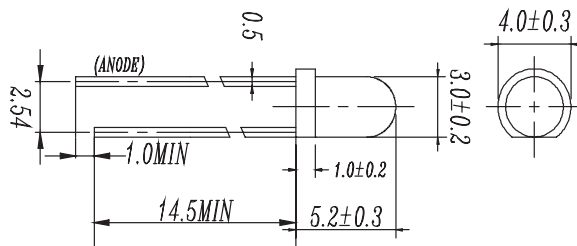


Product	Dimension (mm)	Color		I _v			V _F			IF (mA)	Viewing Angle(°)
		Color	Wavelength nm / CIE	I _v (mcd) min.	I _v (mcd) typ.	I _v (mcd) max.	V _F (V) min.	V _F (V) typ.	V _F (V) max.		
103SURD/S530-A3	2	● Hyper Red	624	25	40	-	-	2.0	2.4	20	130
103SYGD/S530-E2	2	● Brilliant Yellow Green	573	6.3	12.5	-	1.7	2.0	2.4	20	130
103UYD/S530-A3	2	● Brilliant Yellow	589	25	50	-	1.7	2.0	2.4	20	130

LED Lamps | 3mm Round Type



UNIT : mm



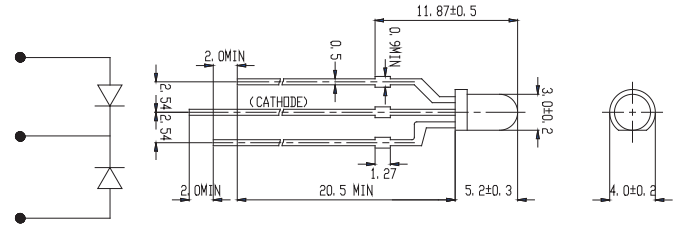
Product	Dimension (mm)	Color		I _v			V _F			IF (mA)	Viewing Angle(°)
		Color	Wavelength nm / CIE	I _v (mcd) min.	I _v (mcd) typ.	I _v (mcd) max.	V _F (V) min.	V _F (V) typ.	V _F (V) max.		
204-10UYOC/S530-A3	3	● Brilliant Orange	605	320	500	-	1.7	2	2.4	20	30
204-10SUGC/S400-A5	3	● Green	525	1600	3200	-	-	3.2	3.7	20	30
204-10SURD/S530-A3	3	● Brilliant Red	624	40	80	-	1.7	2	2.4	20	45
204-10SURD/S530-A3-L	3	● Brilliant Red	624	40	80	-	1.7	2	2.4	20	45
204-10SURT/S530-A3	3	● Brilliant Red	624	250	500	-	1.7	2	2.4	20	20
204-10SYGC/S530-E2	3	● Brilliant Yellow Green	573	125	250	-	1.7	2	2.4	20	20
204-10UYD/S530-A3	3	● Brilliant Yellow	589	100	200	-	1.7	2	2.4	20	60
204-15/FNC2-2TVA	3	○ White	x=0.26 y=0.27	7150	-	14250	2.8	-	3.6	20	25
204-10SUBD/S400-A4	3	● Blue	470	160	320	-	2.7	3.3	3.7	20	30
204-10SDRD/S530-A3	3	● Deep Red	639	40	80	-	1.7	2.0	2.4	20	50
204-10SYGD/S530-E3	3	● Brilliant Yellow Green	573	63	100	-	1.7	2.0	2.4	20	45
204-15UTC/S400-X9	3	○ White	x=0.29 y=0.28	7150	-	14250	2.8	-	3.6	20	25
204-10SUBC/S400-A4	3	● Blue	470	400	800	-	-	3.4	4.0	20	20

LED Lamps

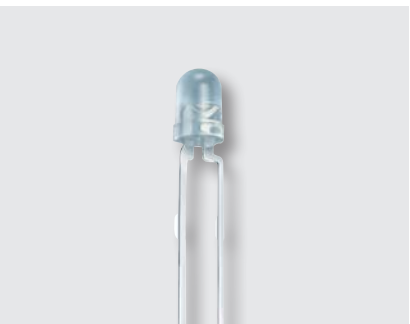
LED Lamps | 3mm Round Type



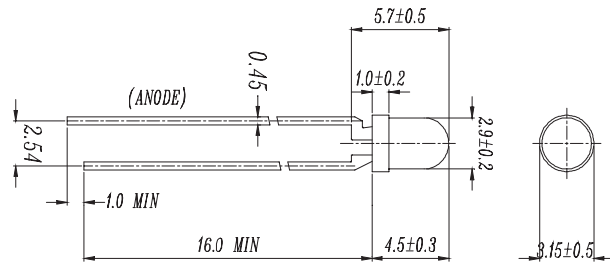
UNIT : mm



Product	Dimension (mm)	Color		I _V		V _F			IF (mA)	Viewing Angle(°)
		Color	Wavelength nm / CIE	I _V (mcd) min.	I _V (mcd) typ.	V _F (V) min.	V _F (V) typ.	V _F (V) max.		
209-3SURSYGW/S530-A3	3	● Brilliant Red ● Brilliant Yellow Green	R:624 G:573	25 / 10	50 / 20	1.7	2.0	2.4	20	80
209SDRSYGW/S530-A3	3	● Deep Red ● Brilliant Yellow Green	R:639 G:573	25 / 16	50 / 32	1.7	2.0	2.4	20	80
209SURSYGC/S530-A3	3	● Brilliant Red ● Brilliant Yellow Green	R:624 G:573	63 / 40	125 / 80	1.7	2.0	2.4	20	60
209UYOSUGC/S530-A3	3	● Brilliant Orange ● Brilliant Green	R:605 G:525	100 / 160	200 / 320	1.7 / 2.7	2.0 / 3.3	2.4 / 3.7	20	50

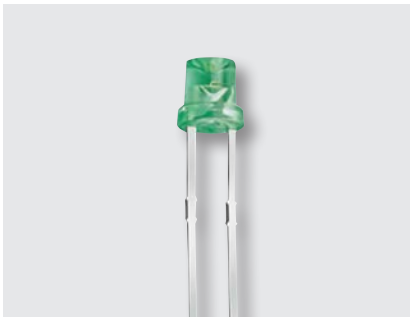


UNIT : mm

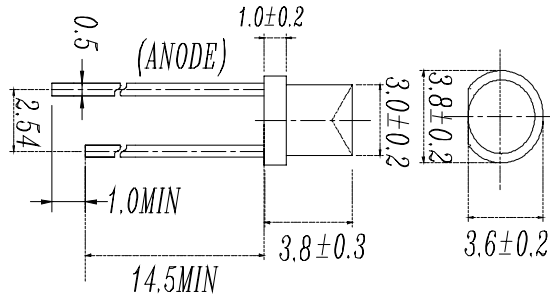


Product	Dimension (mm)	Color		I _V			V _F			IF (mA)	Viewing Angle(°)
		Color	Wavelength nm / CIE	I _V (mcd) min.	I _V (mcd) typ.	I _V (mcd) max.	V _F (V) min.	V _F (V) typ.	V _F (V) max.		
264-7SDRC/S530-A3	3	● Deep Red	639	40	100	-	1.7	2.0	2.4	20	40
264-7SYGD/S530-E2	3	● Brilliant Yellow Green	573	25	50	-	-	2.0	2.4	20	60
264-7SUGC/S400-A4	3	● Brilliant Green	530	630	1250	-	2.7	3.3	3.7	20	30
264-7SURD/S530-A3	3	● Brilliant Red	624	63	125	-	1.7	2.0	2.4	20	60
264-7UYD/S530-A3	3	● Brilliant Yellow	589	63	125	-	1.7	2.0	2.4	20	60
264-7SUGC/S400-A5	3	● Brilliant Green	530	1000	2000	-	-	3.4	4.0	20	30
264-7SURC/S400-A8	3	● Brilliant Red	624	400	800	-	1.7	2.0	2.4	20	40
264-7SYGC/S530-E3	3	● Brilliant Yellow Green	573	100	320	-	1.7	2.0	2.4	20	35
264-7UYC/S400-A9	3	● Brilliant Yellow	589	630	1250	-	1.7	2.0	2.4	20	40

LED Lamps | 3mm Round Type



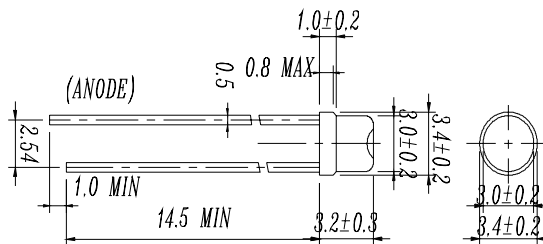
UNIT : mm



Product	Dimension (mm)	Color		I _v			V _F			IF (mA)	Viewing Angle(°)
		Color	Wavelength nm / CIE	I _v (mcd) min.	I _v (mcd) typ.	I _v (mcd) max.	V _F (V) min.	V _F (V) typ.	V _F (V) max.		
484-10SURT/S530-A3	3	● Brilliant Red	624	10	20	-	1.7	2.0	2.4	20	130
484-10UYT/S530-A3	3	● Brilliant Yellow	589	16	32	-	1.7	2.0	2.4	20	110
484-10SYGT/S530-E2	3	● Brilliant Yellow Green	573	6.3	12.5	-	1.7	2.0	2.4	20	80
484-10UYOC/S530-A3	3	● Brilliant Orange	605	40	80	-	1.7	2.0	2.4	20	160



UNIT : mm



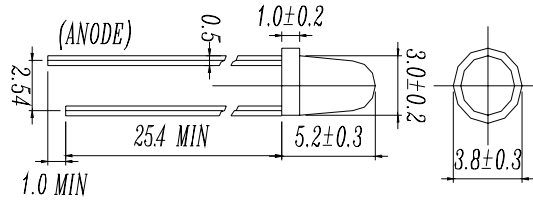
Product	Dimension (mm)	Color		I _v			V _F			IF (mA)	Viewing Angle(°)
		Color	Wavelength nm / CIE	I _v (mcd) min.	I _v (mcd) typ.	I _v (mcd) max.	V _F (V) min.	V _F (V) typ.	V _F (V) max.		
494-10SURT/S530-A3	3	● Brilliant Red	624	16	32	-	1.7	2.0	2.4	20	100
494-10SYGT/S530-E2	3	● Brilliant Yellow Green	573	10	20	-	1.7	2.0	2.4	20	100
494SUBC/C470/S400-A4	3	● Blue	470	20	32	-	2.7	3.3	3.7	20	100

LED Lamps

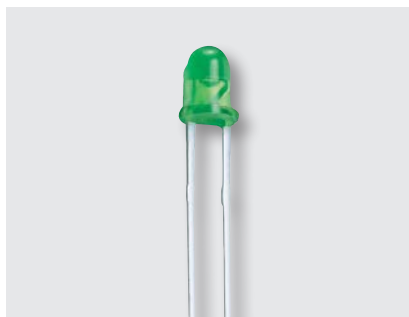
LED Lamps | 3mm Round Type



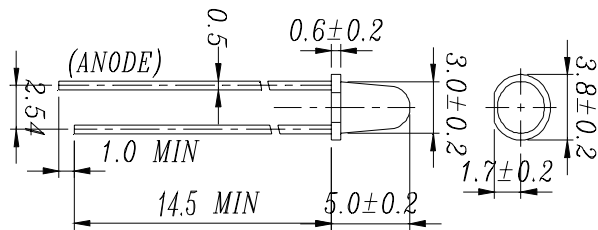
UNIT : mm



Product	Dimension (mm)	Color		I _V			V _F			IF (mA)	Viewing Angle(°)
		Color	Wavelength nm / CIE	I _V (mcd) min.	I _V (mcd) typ.	I _V (mcd) max.	V _F (V) min.	V _F (V) typ.	V _F (V) max.		
1224SYGC/S530-E2	3	● Brilliant Yellow Green	573	63	100	-	1.7	2	2.4	20	25
1224SUGC/S400-A5	3	● Green	525	1600	2000	-	2.7	3.3	3.7	20	30
1224SUBC/C470/S400-A4	3	● Blue	470	250	500	-	2.7	3.3	3.7	20	30
1224UTC/S400-A6	3	○ White	x=0.29,y=0.28	1800	-	4500	2.8	-	4	20	25
1224-10SURC/S530-A3	3	● Brilliant Red	624	160	400	-	1.7	2	2.4	20	20
1224USOC/S530-A3	3	● Super Sunset Orange	615	188	295	-	1.7	2	2.4	20	25
1224SDRC/S530-A4	3	● Super Deep Red	639	250	500	-	-	2	2.4	20	25

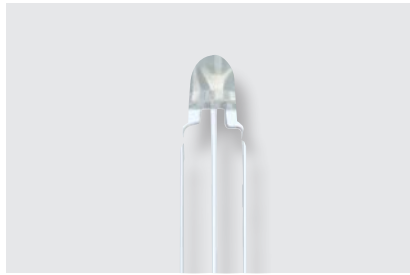


UNIT : mm

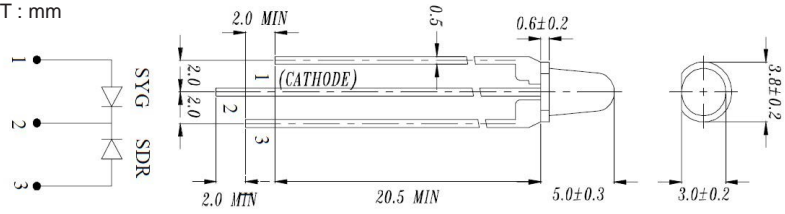


Product	Dimension (mm)	Color		I _V			V _F			IF (mA)	Viewing Angle(°)
		Color	Wavelength nm / CIE	I _V (mcd) min.	I _V (mcd) typ.	I _V (mcd) max.	V _F (V) min.	V _F (V) typ.	V _F (V) max.		
1254-10SDRD/S530-A3	3	● Deep Red	639	100	160	-	1.7	2	2.4	20	30
1254-10SURD/S530-A3	3	● Brilliant Red	624	250	400	-	1.7	2	2.4	20	30
1254-10SYGD/S530-E2	3	● Brilliant Yellow Green	573	40	63	-	1.7	2	2.4	20	40
1254-10UYD/S530-A3	3	● Brilliant Yellow	589	100	200	-	1.7	2	2.4	20	30
1254-10SDRT/S530-A3	3	● Deep Red	639	160	320	-	-	2	2.4	20	30
1254-10SURT/S530-A3	3	● Hyper Red	624	160	320	-	-	2	2.4	20	30
1254-10SYGT/S530-E2	3	● Brilliant Yellow Green	573	160	320	-	1.7	2	2.4	20	30
1254-10UYOT/S530-A3	3	● Brilliant Orange	605	250	500	-	1.7	2	2.4	20	30

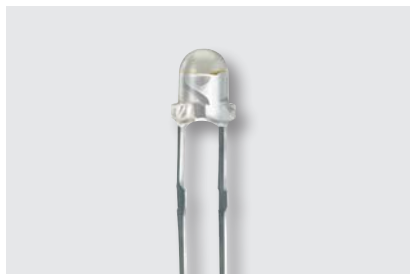
LED Lamps | 3mm Round Type



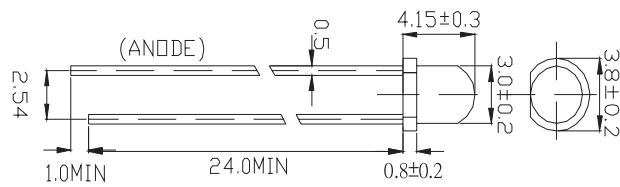
UNIT : mm



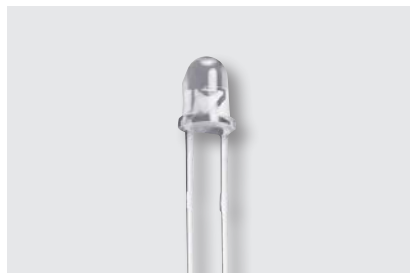
Product	Dimension (mm)	Color		I _v			V _F			IF (mA)	Viewing Angle(°)
		Color	Wavelength nm / CIE	I _v (mcd) min.	I _v (mcd) typ.	I _v (mcd) max.	V _F (V) min.	V _F (V) typ.	V _F (V) max.		
1259-7SDRSYGW/S530-A3	3	● Deep Red ● Brilliant Yellow Green	639 / 573	16 / 25	32 / 50	-	1.7	2.0	2.4	20	50
1259-7UYSYGW/S530-A3	3	● Brilliant Yellow ● Brilliant Yellow Green	589 / 573	63 / 40	125 / 80	-	1.7	2.0	2.4	20	40
1259-7SURSYGW/S530-A3	3	● Brilliant Red ● Brilliant Yellow Green	624 / 573	40 / 16	80 / 32	-	-	2.0	2.4	20	60



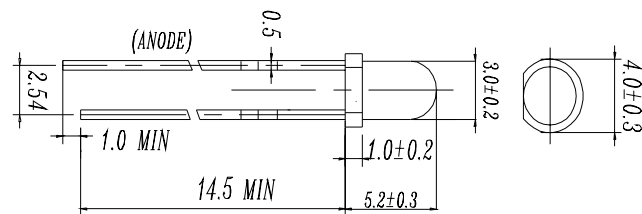
UNIT : mm



Product	Dimension (mm)	Color		I _v			V _F			IF (mA)	Viewing Angle(°)
		Color	Wavelength nm / CIE	I _v (mcd) min.	I _v (mcd) typ.	I _v (mcd) max.	V _F (V) min.	V _F (V) typ.	V _F (V) max.		
3294-15SUBC/S400-A6	3	● Blue	470	160	320	-	2.7	3.3	3.7	20	90
3294-15SUGC/S400-A6	3	● Brilliant Green	525	500	1250	-	2.7	3.3	3.7	20	50
3294-15SURC/S400-A7	3	● Brilliant Red	624	100	200	-	1.7	2.0	2.4	20	90
3294-15SUBGC/S400-A6	3	● Super Blue	505	400	800	-	x	3.5	4.3	20	90

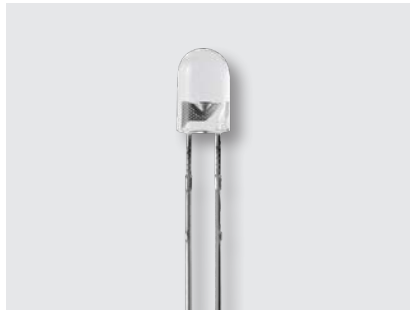


UNIT : mm

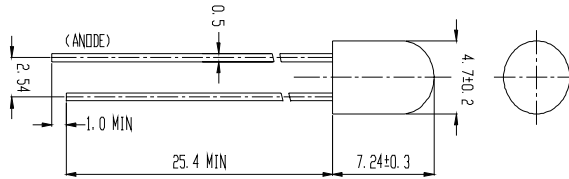


Product	Dimension (mm)	Color		I _v			V _F			IF (mA)	Viewing Angle(°)
		Color	Wavelength nm / CIE	I _v (mcd) min.	I _v (mcd) typ.	I _v (mcd) max.	V _F (V) min.	V _F (V) typ.	V _F (V) max.		
4204-10SUBC/C470/S400-X9-L	3	● Blue	470	630	1250	-	2.7	3.3	3.7	20	25
4204-10SURC/S530-A3	3	● Brilliant Red	624	320	500	-	1.7	2.0	2.4	20	25
4204-10SYGC/S530-E4	3	● Brilliant Yellow Green	573	250	500	-	1.7	2.0	2.4	20	20

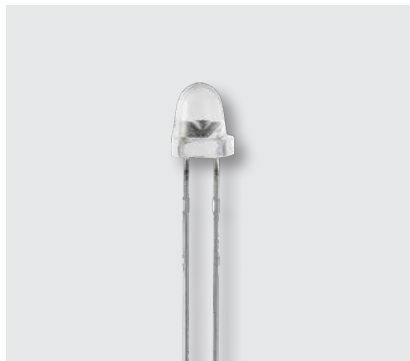
LED Lamps | 5mm Round Type



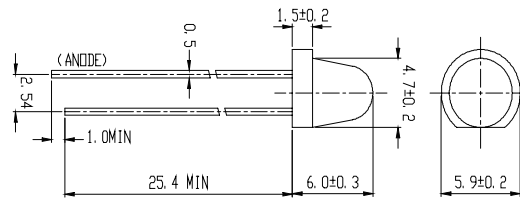
UNIT : mm



Product	Dimension (mm)	Color		I _V			V _F			IF (mA)	Viewing Angle(°)
		Color	Wavelength nm / CIE	I _V (mcd) min.	I _V (mcd) typ.	I _V (mcd) max.	V _F (V) min.	V _F (V) typ.	V _F (V) max.		
313-2SYGD/S530-E2	4.7	● Brilliant Yellow Green	573	40	80	-	1.7	2.0	2.4	20	45
313-2UYD/S530-A3	4.7	● Brilliant Yellow	589	100	200	-	1.7	2.0	2.4	20	50
313-2SURD/S530-A3	4.7	● Brilliant Red	624	63	100	-	1.7	2.0	2.4	20	40
313-2SYGC/S530-E2	4.7	● Brilliant Yellow Green	573	250	500	-	1.7	2.0	2.4	20	20
313-2SUBC/C470/S400-A4	4.7	● Blue	470	630	1000	-	-	3.4	4.0	20	20

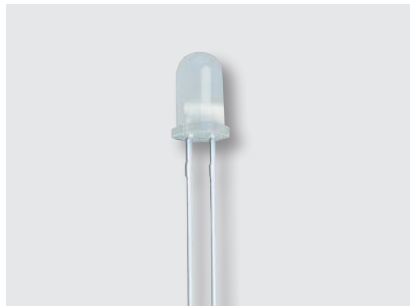


UNIT : mm

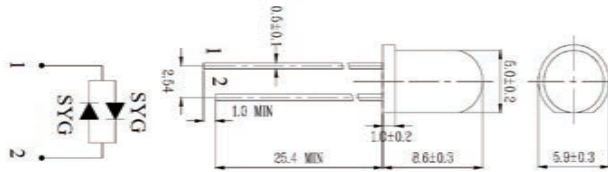


Product	Dimension (mm)	Color		I _V			V _F			IF (mA)	Viewing Angle(°)
		Color	Wavelength nm / CIE	I _V (mcd) min.	I _V (mcd) typ.	I _V (mcd) max.	V _F (V) min.	V _F (V) typ.	V _F (V) max.		
323-2SURD/S530-A3	4.7	● Brilliant Red	624	63	100	-	1.7	2.0	2.4	20	40
323-2SYGD/S530-E2	4.7	● Brilliant Yellow Green	573	40	80	-	1.7	2.0	2.4	20	60
323-2SDRD/S530-A3	4.7	● Deep Red	639	25	50	-	-	2.0	2.4	20	60

LED Lamps | 5mm Round Type



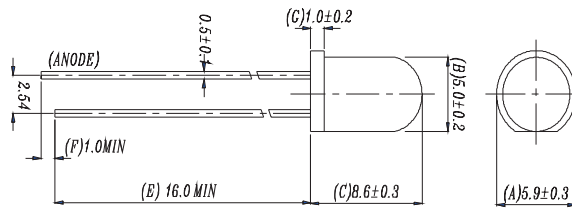
UNIT : mm



Product	Dimension (mm)	Color		I _V			V _F			IF (mA)	Viewing Angle(°)
		Color	Wavelength nm / CIE	I _V (mcd) min.	I _V (mcd) typ.	V _F (V) min.	V _F (V) typ.	V _F (V) max.			
336SURSYGW/S530-A3	5	● Brilliant Red ● Brilliant Yellow Green	R:624 G:573	16	32	1.7	2.0	2.4	20	90	
336SYGSYGD/S530-E2	5	● Brilliant Yellow Green	573	8	16	1.7	2.0	2.4	20	90	
336UYSYGW/S530-A3	5	● Super Yellow ● Super Yellow Green	UY:589 SYG:573	40/16	80/32	-	2.0	2.4	20	80	

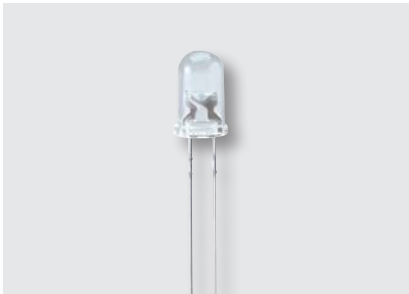


UNIT : mm

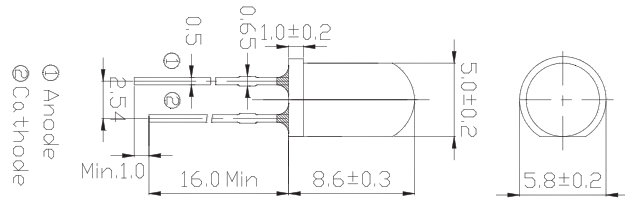


Product	Dimension (mm)	Color		I _V			V _F			IF (mA)	Viewing Angle(°)
		Color	Wavelength nm / CIE	I _V (mcd) min.	I _V (mcd) typ.	I _V (mcd) max.	V _F (V) min.	V _F (V) typ.	V _F (V) max.		
333-2SUBD/S400-A4	5	● Blue	470	400	800	-	2.7	3.3	3.7	20	20
333-2SYGD/S530-E2	5	● Brilliant Yellow Green	573	40	80	-	1.7	2.0	2.4	20	30
333-2UTC/S400-A6	5	○ White	x=0.29,y=0.3	14250	-	28500	2.8	-	3.6	20	15
333-2UYD/S530-A3	5	● Brilliant Yellow	589	160	320	-	1.7	2.0	2.4	20	30
333-2SDRD/S530-A3	5	● Deep Red	639	100	160	-	-	2.0	2.4	20	30
333-2SURD/S530-A3	5	● Brilliant Red	624	100	200	-	-	2.0	2.4	20	30
333-2SDRC/S530-A4	5	● Deep Red	639	400	1000	-	1.7	2.0	2.4	20	10
333-2SUBC/C470/S400-A6	5	● Blue	470	1000	2000	-	-	3.4	4.0	20	10
333-2SUGC/S400-A5	5	● Brilliant Green	530	4000	8000	-	-	3.4	4.0	20	10
333-2SURC/S400-A8	5	● Brilliant Red	624	3200	5000	-	1.7	2.0	2.4	20	10
333-2SYGC/S530-E2	5	● Brilliant Yellow Green	573	400	800	-	-	2.0	2.4	20	10
333-2UYC/S400-A7	5	● Brilliant Yellow	589	2500	4500	-	-	2.0	2.4	20	10
333-2UYC/S530-A3	5	● Brilliant Yellow	589	630	1250	-	1.7	2.0	2.4	20	10
333-2UYOC/S530-A3-L	5	● Yellow Orange	605	630	1250	-	-	2.0	2.4	20	10

LED Lamps | 5mm Round Type

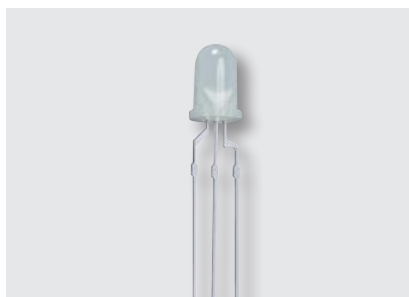


UNIT : mm

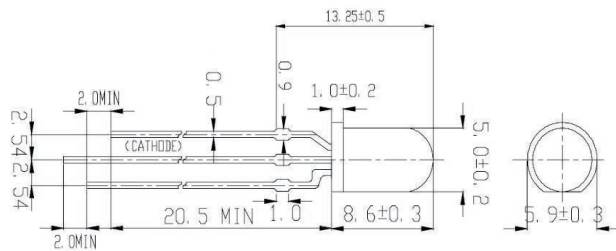


Product	Dimension (mm)	Color		I _v			V _F			IF (mA)	Viewing Angle(°)
		Color	Wavelength nm / CIE	I _v (mcd) min.	I _v (mcd) typ.	I _v (mcd) max.	V _F (V) min.	V _F (V) typ.	V _F (V) max.		
334-15/T1C3-7TVA	5	○ White	x=0.31, y=0.30	7150	-	14250	2.8	-	3.6	20	30
334-15/T2C5-1PSB	5	○ White	x=0.29, y=0.28	2850	-	7150	2.8	-	3.6	20	50
334-15/F1C5-1RTA	5	○ White	x=0.29, y=0.28	4500	-	9000	2.8	-	3.6	20	50
334-15/FNC1-4YZA	5	○ White	x=0.30, y=0.29	22500	-	36000	2.8	-	3.6	20	15
334-15/X1C2-1UWA	5	● Warm White	x=0.40, y=0.39	9000	-	18000	2.8	-	3.6	20	20
334-15/F1C1-1XZA	5	○ White	x=0.29, y=0.28	18000	-	36000	2.8	-	3.6	20	15
334-15/T1C1-4WYA	5	○ White	x=0.30, y=0.29	14250	-	28500	2.8	-	3.6	20	15
334-15/F1C2-7VXA	5	○ White	x=0.30, y=0.29	11250	-	22500	2.8	-	3.6	20	20
334-15/T1C3-2TVA	5	○ White	x=0.26, y=0.27	7150	-	14250	2.8	-	3.6	20	30
334-15/T2C3-2TVC	5	○ White	x=0.26, y=0.27	7150	-	14250	2.8	-	3.6	20	30
334-15/T1C5-7QSA	5	○ White	x=0.30, y=0.29	3600	-	7150	2.8	-	3.6	20	50
334-15/T2C5-1QSB	5	○ White	x=0.29, y=0.28	3600	-	7150	2.8	-	3.6	20	50
334-15/X2C1-1WYB	5	● Warm White	x=0.40, y=0.39	14250	-	28500	2.8	-	3.6	20	15
334-15/X2C3-1TVA	5	● Warm White	x=0.40, y=0.39	7150	-	14250	2.8	-	3.6	20	30
334-15/X1C5-1QSA	5	● Warm White	x=0.40, y=0.39	3500	-	7150	2.8	-	3.6	20	50
334-15/X2C5-1PSB	5	● Warm White	x=0.40, y=0.39	2850	-	7150	2.8	-	3.6	20	50

LED Lamps



UNIT : mm

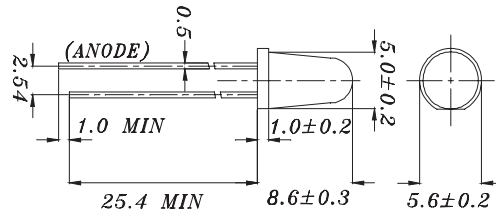


Product	Dimension (mm)	Color		I _v		V _F		IF (mA)	Viewing Angle(°)
		Color	Wavelength nm / CIE	I _v (mcd) min.	I _v (mcd) typ.	V _F (V) typ.	V _F (V) max.		
339-1SURSYGW/S530-A3	5	● Brilliant Red ● Brilliant Yellow Green	624 / 573	25/16	50/32	2.0	2.4	20	70
339-1UYSYGW/S530-A3	5	● Brilliant Yellow ● Brilliant Yellow Green	589 / 573	63/32	100/50	2.0	2.4	20	70

LED Lamps | 5mm Round Type



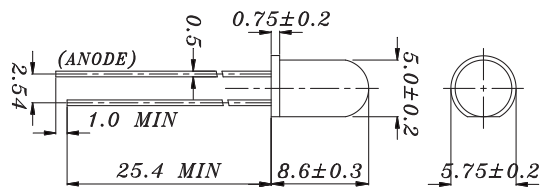
UNIT : mm



Product	Dimension (mm)	Color		I _V			V _F			IF (mA)	Viewing Angle(°)
		Color	Wavelength nm / CIE	I _V (mcd) min.	I _V (mcd) typ.	I _V (mcd) max.	V _F (V) min.	V _F (V) typ.	V _F (V) max.		
383-2SUBC/C470/S400-A6	5	Blue	470	1600	3200	-	2.7	3.3	3.7	20	20
383-2SURC/S400-A6	5	Brilliant Red	624	4000	6300	-	1.7	2.0	2.4	20	6
383-2SYGD/S530-E2	5	Brilliant Yellow Green	575	40	80	-	1.7	2.0	2.4	20	25
383-2UYC/S530-A3	5	Brilliant Yellow	589	2713	4263	-	1.7	2.0	2.4	20	6
383-2SDRC/S530-A3	5	Super Deep Red	639	1000	2000	-	-	2.0	2.4	20	6
383-2SUGC/S400-A4	5	Super Green	525	2500	4000	-	-	3.4	4.0	20	20
383-2SURC/S530-A3	5	Hyper Red	624	1000	2500	-	-	2.0	2.4	20	6
383-2SYGC/S530-E2	5	Brilliant Yellow Green	573	160	320	-	-	2.0	2.4	20	10
383-2USOC/S530-A6	5	Super Sunset Orange	615	6300	8000	-	-	2.0	2.4	20	6

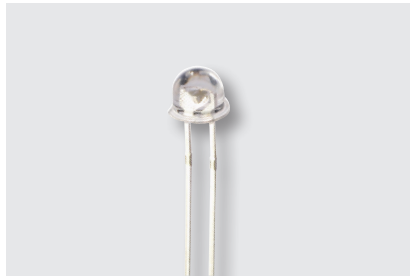


UNIT : mm

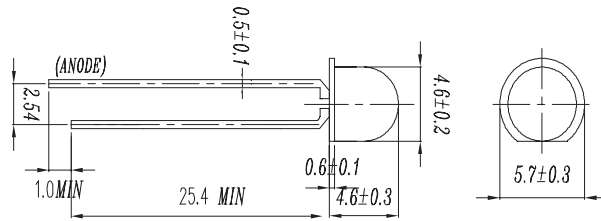


Product	Dimension (mm)	Color		I _V			V _F			IF (mA)	Viewing Angle(°)
		Color	Wavelength nm / CIE	I _V (mcd) min.	I _V (mcd) typ.	I _V (mcd) max.	V _F (V) min.	V _F (V) typ.	V _F (V) max.		
1383-2SURD/S530-A3	5	Brilliant Red	624	250	500	-	1.7	2.0	2.4	20	40
1383SDRD/S530-A3	5	Deep Red	639	160	320	-	1.7	2.0	2.4	20	30
1383SYGD/S530-E2	5	Brilliant Yellow Green	573	100	200	-	1.7	2.0	2.4	20	25
1383UYD/S530-A3	5	Brilliant Yellow	589	400	800	-	1.7	2.0	2.4	20	25
1383-2SDRD/S530-A3	5	Super Deep Red	639	160	320	-	-	2.0	2.4	20	30

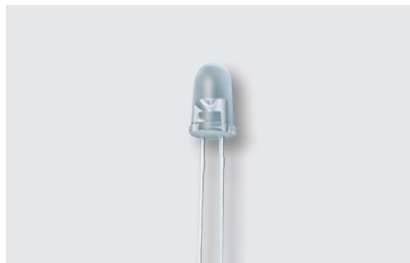
LED Lamps | 5mm Round Type



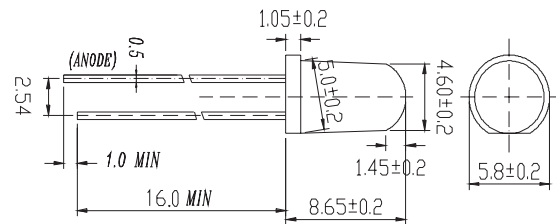
UNIT : mm



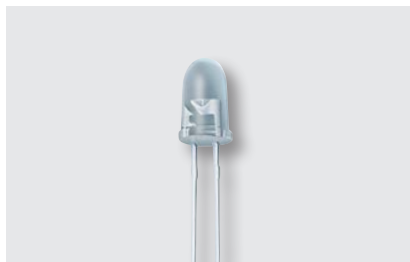
Product	Dimension (mm)	Color		I _v			V _F			IF (mA)	Viewing Angle(°)
		Color	Wavelength nm / CIE	I _v (mcd) min.	I _v (mcd) typ.	I _v (mcd) max.	V _F (V) min.	V _F (V) typ.	V _F (V) max.		
6324-15SUBC/S400-X10	4.6	● Blue	470	250	500	-	2.7	3.3	3.7	20	60
6324/F1C9-1LNA	4.8	○ White	x=0.29,y=0.28	1425	-	2850	2.8	x	3.6	20	100
6324-15SURC/S400-A9	4.6	● Brilliant Red	624	160	320	-	1.7	2.0	2.4	20	100
6324-15UYC/S530-A6	4.6	● Brilliant Yellow	589	100	200	-	1.7	2.0	2.4	20	70
6324-15SUGC/S400-A6	4.6	● Brilliant Green	525	630	1250	-	2.7	3.3	3.7	20	60



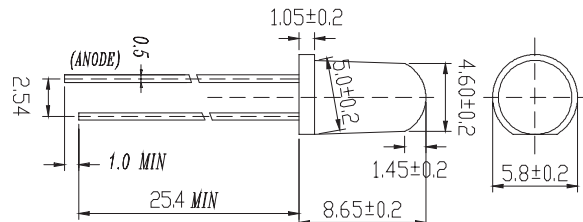
UNIT : mm



Product	Dimension (mm)	Color		I _v			V _F			IF (mA)	Viewing Angle(°)
		Color	Wavelength nm / CIE	I _v (mcd) min.	I _v (mcd) typ.	I _v (mcd) max.	V _F (V) min.	V _F (V) typ.	V _F (V) max.		
7343-2SURD/S530-A3	4.6	● Brilliant Red	624	160	320	-	1.7	2.0	2.4	20	40
7343M/BAC3-ATVA/C5	5.0	● Blue	470	8.4	-	21.0	2.6	-	3.4	5	30
7343-2SUGD/S400-X6	4.6	● Brilliant Green	525	1600	3200	-	2.7	3.3	3.7	20	30
7343-2USOC/S530-A3	4.6	● Super Sunset Orange	615	630	1250	-	-	2.0	4.0	20	20



UNIT : mm

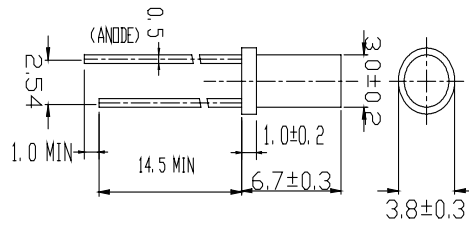


Product	Dimension (mm)	Color		I _v			V _F			IF (mA)	Viewing Angle(°)
		Color	Wavelength nm / CIE	I _v (mcd) min.	I _v (mcd) typ.	I _v (mcd) max.	V _F (V) min.	V _F (V) typ.	V _F (V) max.		
7344-15SUBC/C470/S400-A6	4.6	● Blue	470	1000	2000	-	2.7	3.3	3.7	20	20
7344-15SUGC/S400-A5	4.6	● Brilliant Green	525	5000	8000	-	2.7	3.3	3.7	20	30
7344-15SUGC/S400-X6	4.6	● Brilliant Green	525	8000	11000	-	2.7	3.3	3.7	20	20

LED Lamps | 3mm Cylindrical



UNIT : mm

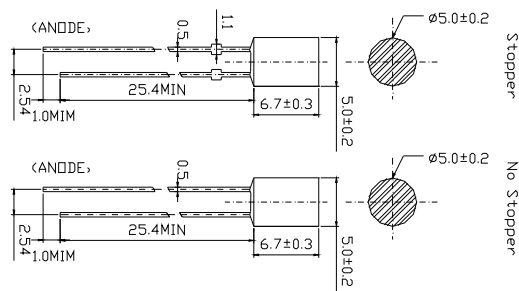


Product	Dimension (mm)	Color		I _V			V _F			IF (mA)	Viewing Angle(°)
		Color	Wavelength nm / CIE	I _V (mcd) min.	I _V (mcd) typ.	I _V (mcd) max.	V _F (V) min.	V _F (V) typ.	V _F (V) max.		
414-10UYD/S530-A3	3	● Super Yellow	589	25	40	-	-	2.0	2.4	20	120
414-10SURD/S530-A3	3	● Hyper Red	624	16	32	-	-	2.0	2.4	20	120

LED Lamps | 5mm Cylindrical



UNIT : mm

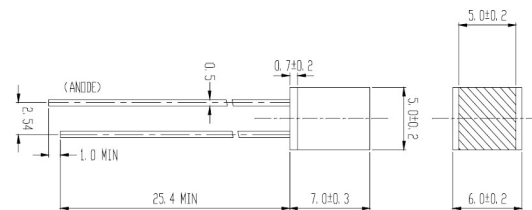


Product	Dimension (mm)	Color		I _V			V _F			IF (mA)	Viewing Angle(°)
		Color	Wavelength nm / CIE	I _V (mcd) min.	I _V (mcd) typ.	I _V (mcd) max.	V _F (V) min.	V _F (V) typ.	V _F (V) max.		
423-2UYC/S530-A6	5	● Brilliant Yellow	589	100	200	-	1.7	2.0	2.4	20	90
423-2SURC/S530-A3	5	● Brilliant Red	624	25	63	-	1.7	2.0	2.4	20	80
423-2SUBC/S400-X9	5	● Blue	470	100	200	-	2.7	3.3	3.7	20	80
423-2UYOC/S530-A6	5	● Brilliant Orange	605	160	320	-	1.7	2.0	2.4	20	80

LED Lamps | 5mm Square



UNIT : mm



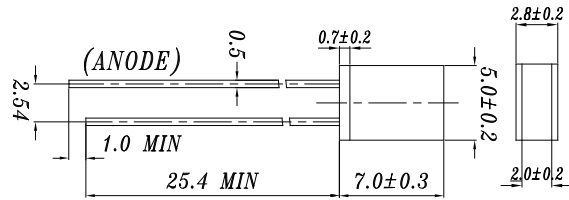
Product	Dimension (mm)	Color		I _V			V _F			IF (mA)	Viewing Angle(°)
		Color	Wavelength nm / CIE	I _V (mcd) min.	I _V (mcd) typ.	I _V (mcd) max.	V _F (V) min.	V _F (V) typ.	V _F (V) max.		
583SURD/S530-A3	5.0 x 5.0	● Brilliant Red	624	12.5	20	-	1.7	2.0	2.4	20	130
583SYGD/S530-E2	5.0 x 5.0	● Brilliant Yellow Green	573	2.5	5	-	1.7	2.0	2.4	20	170
583UYD/S530-A3	5.0 x 5.0	● Brilliant Yellow	589	10	20	-	1.7	2.0	2.4	20	170

LED Lamps

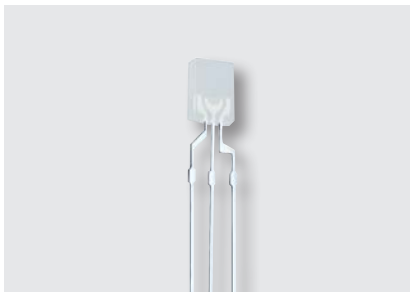
LED Lamps | Rectangular



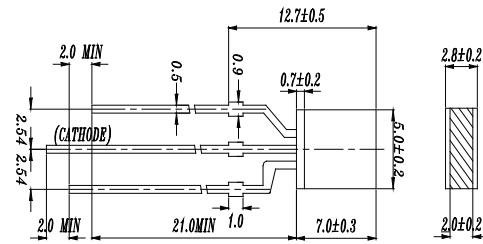
UNIT : mm



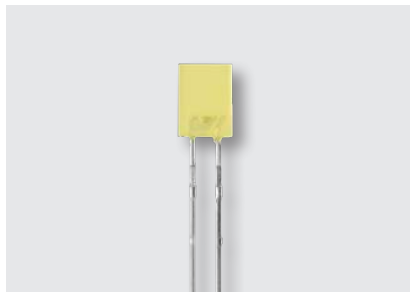
Product	Dimension (mm)	Color		I _V			V _F			IF (mA)	Viewing Angle(°)
		Color	Wavelength nm / CIE	I _V (mcd) min.	I _V (mcd) typ.	I _V (mcd) max.	V _F (V) min.	V _F (V) typ.	V _F (V) max.		
513SURD/S530-A3	2x5mm	● Hyper Red	624	10	20	-	-	2.0	2.4	20	180
513SYGD/S530-E2	2x5mm	● Super Yellow Green	573	6.3	12.5	-	-	2.0	2.4	20	140
513UYD/S530-A3	2x5mm	● Super Yellow	589	20	32	-	-	2.0	2.4	20	150



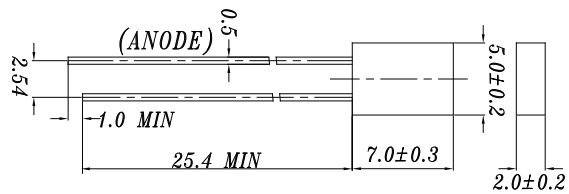
UNIT : mm



Product	Dimension (mm)	Color		I _V			V _F			IF (mA)	Viewing Angle(°)
		Color	Wavelength nm / CIE	I _V (mcd) min.	I _V (mcd) typ.	I _V (mcd) max.	V _F (V) min.	V _F (V) typ.	V _F (V) max.		
519-1SURSYGW/S530-A3	2.0x5.0	● Brilliant Red	R:624	R:1.7	R:2.0	R:2.4	R:6.3	R:12.5	20	180	
		● Brilliant Yellow Green	G:573	G:1.7	G:2.0	G:2.4	G:2.5	G:5.0			



UNIT : mm

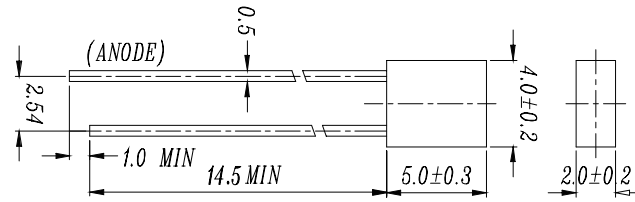


Product	Dimension (mm)	Color		I _V			V _F			IF (mA)	Viewing Angle(°)
		Color	Wavelength nm / CIE	I _V (mcd) min.	I _V (mcd) typ.	I _V (mcd) max.	V _F (V) min.	V _F (V) typ.	V _F (V) max.		
523-2SURD/S530-A3	2.0 x 5.0	● Brilliant Red	624	16	32	-	1.7	2.0	2.4	20	120
523-2UYD/S530-A3	2.0 x 5.0	● Brilliant Yellow	589	6.3	12.5	-	1.7	2.0	2.4	20	120
523UYD/S530-A3	2.0 x 5.0	● Super Yellow	589	16	32	-	-	2.0	2.4	20	180
523-2SUBD/C470/S400-A6	2.0 x 5.0	● Blue	470	10	20	-	2.7	3.3	3.7	20	130
523SYGD/S530-E2	2.0 x 5.0	● Brilliant Yellow Green	573	4	8	-	1.7	2.0	2.4	20	170
523-2SDRD/S530-A3	2.0 x 5.0	● Deep Red	639	10	16	-	-	2.0	2.4	20	120
523-2SUGD/S400-A6	2.0 x 5.0	● Brilliant Green	525	160	320	-	2.7	3.3	3.7	20	130

LED Lamps | Rectangular



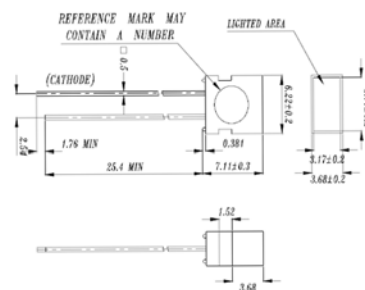
UNIT : mm



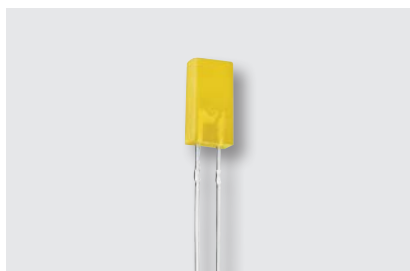
Product	Dimension (mm)	Color		I _v			V _F			IF (mA)	Viewing Angle(°)
		Color	Wavelength nm / CIE	I _v (mcd) min.	I _v (mcd) typ.	I _v (mcd) max.	V _F (V) min.	V _F (V) typ.	V _F (V) max.		
594SURD/S530-A3	2.0 x 4.0	● Brilliant Red	624	10	16	-	1.7	2.0	2.4	20	170
594SYGD/S530-E2	2.0 x 4.0	● Brilliant Yellow Green	573	4	8	-	1.7	2.0	2.4	20	180
594UYD/S530-A3	2.0 x 4.0	● Brilliant Yellow	589	10	20	-	1.7	2.0	2.4	20	180



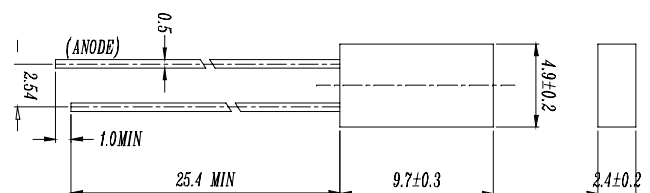
UNIT : mm



Product	Dimension (mm)	Color		I _v			V _F			IF (mA)	Viewing Angle(°)
		Color	Wavelength nm / CIE	I _v (mcd) min.	I _v (mcd) typ.	I _v (mcd) max.	V _F (V) min.	V _F (V) typ.	V _F (V) max.		
1003SURD/S530-A3	3.68x6.22	● Brilliant Red	624	25	50	-	1.7	2.0	2.4	20	110
1003SYGD/S530-E2	3.68x6.22	● Brilliant Yellow Green	573	6.3	12.5	-	1.7	2.0	2.4	20	110
1003SUBD/S400-A6	3.68x6.22	● Blue	470	10	20	-	2.7	3.3	4.0	20	110
1003SUGD/S400-A4	3.68x6.22	● Brilliant Green	525	16	50	-	-	3.3	4.0	20	110

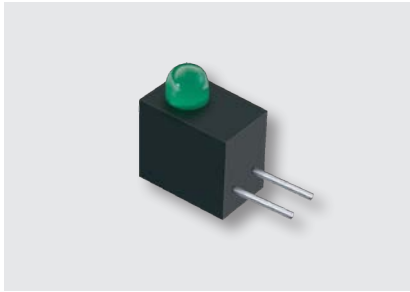


UNIT : mm

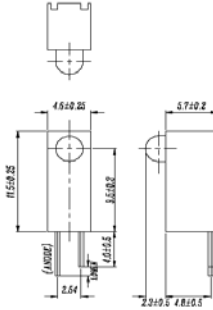


Product	Dimension (mm)	Color		I _v			V _F			IF (mA)	Viewing Angle(°)
		Color	Wavelength nm / CIE	I _v (mcd) min.	I _v (mcd) typ.	I _v (mcd) max.	V _F (V) min.	V _F (V) typ.	V _F (V) max.		
1533SURD/S530-A3	2.4 x 4.9	● Brilliant Red	624	10	20	-	1.7	2	2.4	20	170
1533UYD/S530-A3	2.4 x 4.9	● Brilliant Yellow	589	10	20	-	1.7	2	2.4	20	180

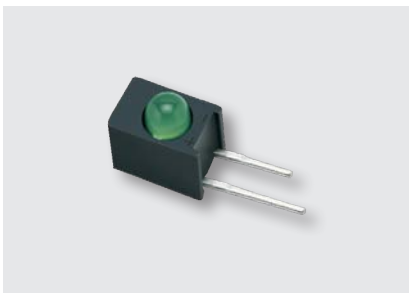
LED Lamps | 3mm Assembly LED



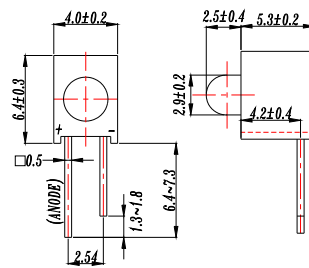
UNIT : mm



Product	Dimension (mm)	Color		I _v			V _F			IF (mA)	Viewing Angle(°)
		Color	Wavelength nm / CIE	I _v (mcd) min.	I _v (mcd) typ.	I _v (mcd) max.	V _F (V) min.	V _F (V) typ.	V _F (V) max.		
A274B/SYG/S530-E2	3	● Brilliant Yellow Green	573	25	50	-	1.7	2.0	2.4	20	60



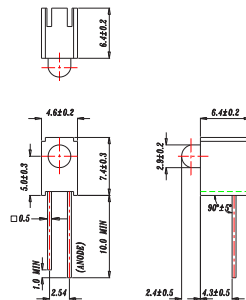
UNIT : mm



Product	Dimension (mm)	Color		I _v			V _F			IF (mA)	Viewing Angle(°)
		Color	Wavelength nm / CIE	I _v (mcd) min.	I _v (mcd) typ.	I _v (mcd) max.	V _F (V) min.	V _F (V) typ.	V _F (V) max.		
A214B/UY/S530-A3	3	● Brilliant Yellow	589	50	100	-	1.7	2.0	2.4	20	60
A214B/SUG/S400-X6	3	● Brilliant Green	525	630	1250	-	2.7	3.3	3.7	20	30

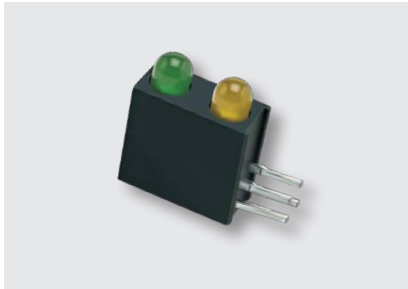


UNIT : mm

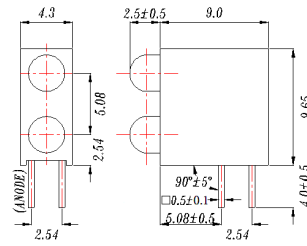


Product	Dimension (mm)	Color		I _v			V _F			IF (mA)	Viewing Angle(°)
		Color	Wavelength nm / CIE	I _v (mcd) min.	I _v (mcd) typ.	I _v (mcd) max.	V _F (V) min.	V _F (V) typ.	V _F (V) max.		
A264B/SUR/S530-A3	3	● Brilliant Red	624	63	125	-	1.7	2.0	2.4	20	60
A264B/SUB/S400-A4	3	● Blue	470	160	250	-	2.7	3.3	3.7	20	35
A264B/SYG/S530-E2	3	● Brilliant Yellow Green	573	25	50	-	1.7	2.0	2.4	20	60
A264B/UY/S530-A3	3	● Brilliant Yellow	589	50	100	-	1.7	2.0	2.4	20	60

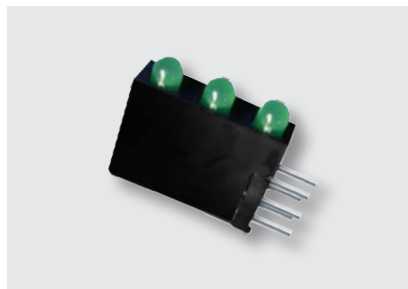
LED Lamps | 3mm Assembly LED



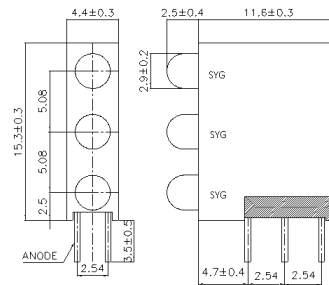
UNIT : mm



Product	Dimension (mm)	Color		I _V		V _F			IF (mA)	Viewing Angle(°)
		Color	Wavelength nm / CIE	I _V (mcd) min.	I _V (mcd) typ.	V _F (V) min.	V _F (V) typ.	V _F (V) max.		
A694B/2SUR/S530-A3	3	● Brilliant Red	624	10	25	1.7	2.0	2.4	20	60
A694B/2SYG/S530-E2	3	● Brilliant Yellow Green	573	25	50	-	2.0	2.4	20	60
A694B/2UY/S530-A3	3	● Brilliant Yellow	589	16	32	1.7	2.0	2.4	20	60
A694B/SURSYG/S530-A3	3	● Brilliant Red ● Brilliant Yellow Green	R:624 G:573	R:40 G:25	R:80 G:50	1.7	2.0	2.4	20	60
A694B/SYGUY/S530-A3	3	● Brilliant Yellow Green ● Brilliant Yellow	SYG:573 UY:589	SYG:25 UY:40	SYG:50 UY:80	1.7	2.0	2.4	20	60



UNIT : mm



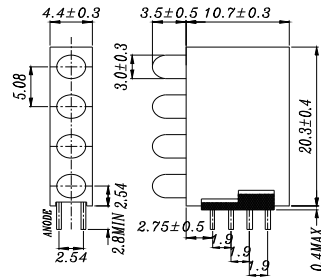
Product	Dimension (mm)	Color		I _V			V _F			IF (mA)	Viewing Angle(°)
		Color	Wavelength nm / CIE	I _V (mcd) min.	I _V (mcd) typ.	I _V (mcd) max.	V _F (V) min.	V _F (V) typ.	V _F (V) max.		
A1394B/3SYG/S530-E2	3	● Brilliant Yellow Green	573	25	50	-	1.7	2.0	2.4	20	60
A1394B/3SUR/S530-A3	3	● Brilliant Red	624	63	125	-	1.7	2.0	2.4	20	60

LED Lamps

LED Lamps | 3mm Assembly LED

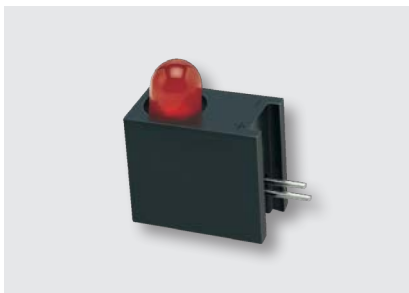


UNIT : mm

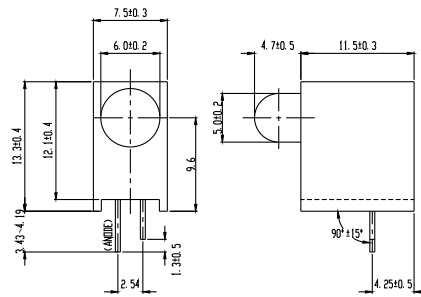


Product	Dimension (mm)	Color		I _V			V _F			IF (mA)	Viewing Angle(°)
		Color	Wavelength nm / CIE	I _V (mcd) min.	I _V (mcd) typ.	I _V (mcd) max.	V _F (V) min.	V _F (V) typ.	V _F (V) max.		
A1844B/4SYG/S530-E2	3	● Brilliant Yellow Green	573	16	32	-	1.7	2.0	2.4	20	60

LED Lamps | 5mm Assembly LED



UNIT : mm

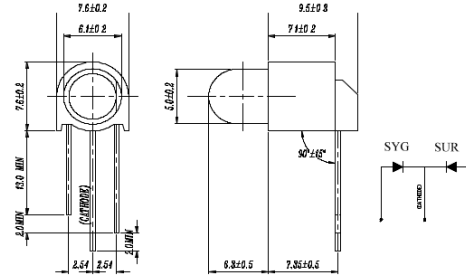


Product	Dimension (mm)	Color		I _V			V _F			IF (mA)	Viewing Angle(°)
		Color	Wavelength nm / CIE	I _V (mcd) min.	I _V (mcd) typ.	I _V (mcd) max.	V _F (V) min.	V _F (V) typ.	V _F (V) max.		
A203B/SUR/S530-A3	5	● Brilliant Red	624	100	200	-	1.7	2.0	2.4	20	30
A203B/SYG/S530-E2	5	● Brilliant Yellow Green	573	40	80	-	1.7	2.0	2.4	20	45
A203B/UY/S530-A3	5	● Brilliant Yellow	589	100	200	-	1.7	2.0	2.4	20	30

LED Lamps | 5mm Assembly LED



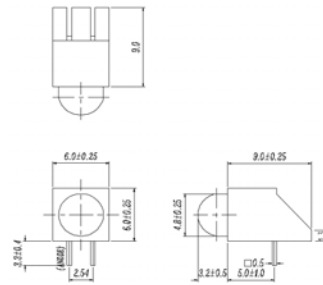
UNIT : mm



Product	Dimension (mm)	Color		I _V			V _F			IF (mA)	Viewing Angle(°)
		Color	Wavelength nm / CIE	I _V (mcd) min.	I _V (mcd) typ.	I _V (mcd) max.	V _F (V) min.	V _F (V) typ.	V _F (V) max.		
A1479-1B/SURSYGW/S530-A3	5	● Brilliant Red	R:624	25	50	-	1.7	2.0	2.4	20	100
	5	● Brilliant Yellow Green	G:573	16	32	-	1.7	2.0	2.4	20	100



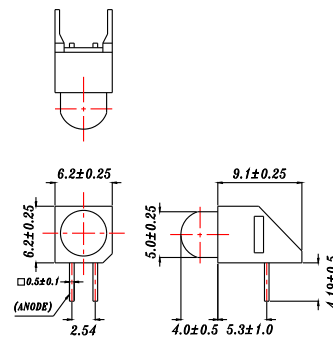
UNIT : mm



Product	Dimension (mm)	Color		I _V			V _F			IF (mA)	Viewing Angle(°)
		Color	Wavelength nm / CIE	I _V (mcd) min.	I _V (mcd) typ.	I _V (mcd) max.	V _F (V) min.	V _F (V) typ.	V _F (V) max.		
A93B/SUR/S530-A3	4.7	● Brilliant Red	624	100	250	-	-	2.0	2.4	20	40
A93B/SYG/S530-E2	4.7	● Brilliant Yellow Green	573	40	80	-	1.7	2.0	2.4	20	80
A93B/UY/S530-A3	4.7	● Brilliant Yellow	589	160	320	-	1.7	2.0	2.4	20	35
A93B/SUB/S400-A6	4.7	● Blue	470	400	800	-	2.7	3.3	3.7	20	20



UNIT : mm



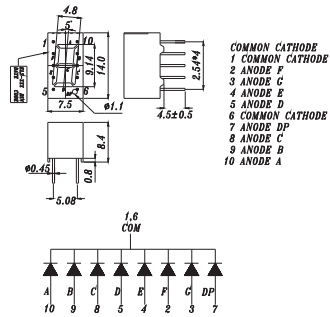
Product	Dimension (mm)	Color		I _V			V _F			IF (mA)	Viewing Angle(°)
		Color	Wavelength nm / CIE	I _V (mcd) min.	I _V (mcd) typ.	I _V (mcd) max.	V _F (V) min.	V _F (V) typ.	V _F (V) max.		
A253B/SUBC/S400-A6	5	● Blue	470	1000	1600	-	2.7	3.3	3.7	20	10
A253B/SYG/S530-E2	5	● Brilliant Yellow Green	573	40	80	-	1.7	2.0	2.4	20	45

LED Lamps

LED Digital Displays | Chip On Board Display | Single Digit Display



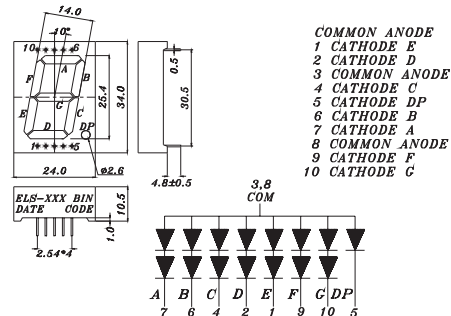
UNIT : mm



Product	Dimension (mm)		Color				CC/CA	I _v	
	Segment Height mm (inch)	Segment Width mm(inch)	Color	Wavelength (nm) / CIE	Resin Color	Face Color		I _v (mcd) min.	I _v (mcd) typ.
S315SURWA/S530-A3	9.14 (0.3")	4.8	● Brilliant Red	624	White	Gray	CC	4.0	8.0
S315SYGWA/S530-E2	9.14 (0.3")	4.8	● Brilliant Yellow Green	573	White	Gray	CC	2.0	3.2



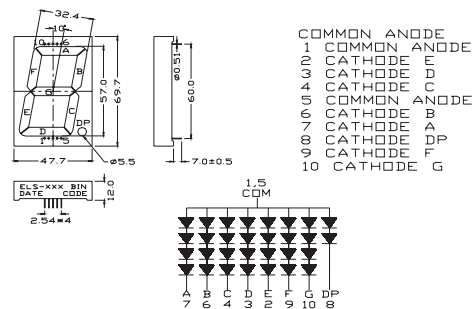
UNIT : mm



Product	Dimension (mm)		Color				CC/CA	I _v	
	Segment Height mm (inch)	Segment Width mm(inch)	Color	Wavelength (nm) / CIE	Resin Color	Face Color		I _v (mcd) min.	I _v (mcd) typ.
S1006SURWA/S530-A3	25.4 (1")	14	● Brilliant Red	624	White	Gray	CA	15.0	24.0
S1006SYGWA/S530-E2	25.4 (1")	14	● Brilliant Yellow Green	573	Green	Gray	CA	5.6	12.5
S1006SDRDB/A3/S660	25.4 (1")	14	● Deep Red	639	Red	Black	CA	11.0	24.0



UNIT : mm

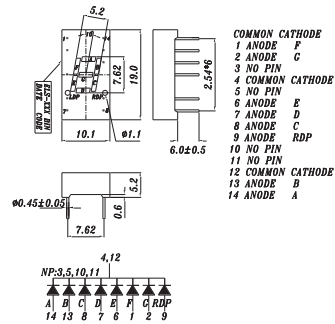


Product	Dimension (mm)		Color				CC/CA	I _v	
	Segment Height mm (inch)	Segment Width mm(inch)	Color	Wavelength (nm) / CIE	Resin Color	Face Color		I _v (mcd) min.	I _v (mcd) typ.
S2326SURWA/S530-A3	57 (2")	32.4	● Brilliant Red	624	White	Gray	CA	15.0	34.0
S2326USOWA/S530-A4	57 (2")	32.4	● Reddish Orange	615	White	Gray	CA	30.0	67.0
S2326SYGWA/S530-E2	57 (2")	32.4	● Brilliant Yellow Green	573	White	Gray	CA	5.6	12.5
S2326UBWA/C470	57 (2")	32.4	● Blue	468	White	Gray	CA	15.0	34.0

LED Digital Displays | Chip On Board Display | Single Digit Display



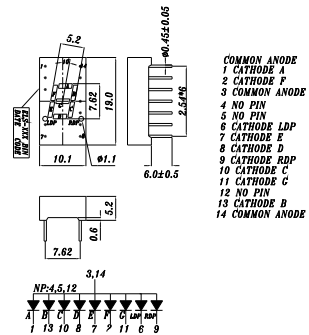
UNIT : mm



Product	Dimension (mm)		Color				CC/CA	I _v	
	Segment Height mm (inch)	Segment Width mm(inch)	Color	Wavelength (nm) / CIE	Resin Color	Face Color		I _v (mcd) min.	I _v (mcd) typ.
S321SURWA/S530-A3	7.62 (0.3")	5.2	● Brilliant Red	624	White	Gray	CC	5.6	11
S321USOWA/S530-A4	7.62 (0.3")	5.2	● Reddish Orange	615	White	Gray	CC	7.8	17.6



UNIT : mm



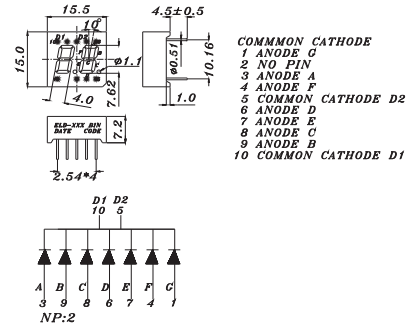
Product	Dimension (mm)		Color				CC/CA	I _v	
	Segment Height mm (inch)	Segment Width mm(inch)	Color	Wavelength (nm) / CIE	Resin Color	Face Color		I _v (mcd) min.	I _v (mcd) typ.
S322SURWA/S530-A3	7.62 (0.3")	5.2	● Brilliant Red	624	White	Gray	CA	5.6	11.0
S322SYGWA/S530-E2	7.62 (0.3")	5.2	● Brilliant Yellow Green	573	White	Gray	CA	2.0	4.5

LED Digital Displays

LED Digital Displays | Chip On Board Display | Dual Digit Display



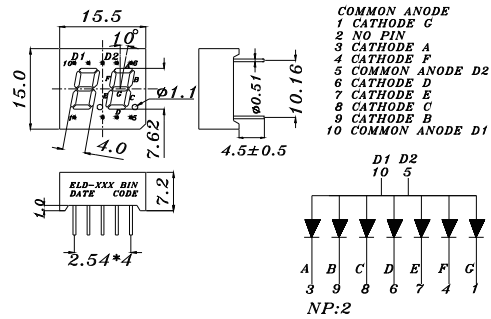
UNIT : mm



Product	Dimension (mm)		Color				CC/CA	I _v	
	Segment Height mm (inch)	Segment Width mm(inch)	Color	Wavelength (nm) / CIE	Resin Color	Face Color		I _v (mcd) min.	I _v (mcd) typ.
D305SURWA/S530-A3	7.62(0.3)	4	● Brilliant Red	624	White	Gray	CC	4.0	6.4
D305SYGWA/E2/S660	7.62(0.3)	4	● Brilliant Yellow Green	573	White	Gray	CC	1.05	1.68
D305SDRWB/S530-A3	7.62(0.3)	4	● Deep Red	639	White	Black	CC	2.0	4.5



UNIT : mm

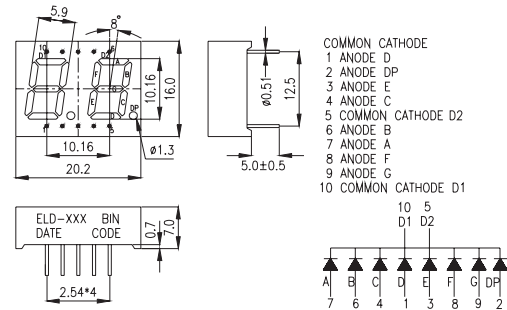


Product	Dimension (mm)		Color				CC/CA	I _v	
	Segment Height mm (inch)	Segment Width mm(inch)	Color	Wavelength (nm) / CIE	Resin Color	Face Color		I _v (mcd) min.	I _v (mcd) typ.
D306SURWA/S530-A3	7.62(0.3)	4	● Brilliant Red	624	White	Gray	CA	4.0	6.4
D306USOWA/S530-A3	7.62(0.3)	4	● Reddish Orange	615	White	Gray	CA	4.0	8.9
D306UYWA/S530-A3	7.62(0.3)	4	● Brilliant Yellow	589	White	Gray	CA	1.4	3.2

LED Digital Displays | Chip On Board Display | Dual Digit Display



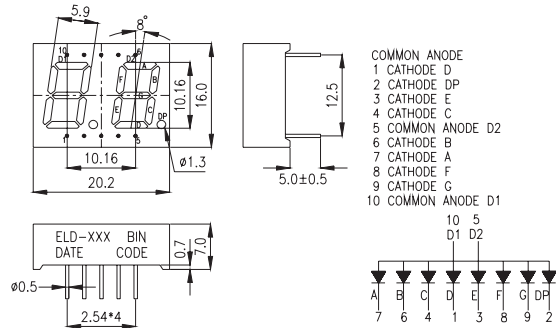
UNIT : mm



Product	Dimension (mm)		Color				CC/CA	I _v	
	Segment Height mm (inch)	Segment Width mm(inch)	Color	Wavelength (nm) / CIE	Resin Color	Face Color		I _v (mcd) min.	I _v (mcd) typ.
D425SURWA/S530-A3	10.16 (0.4")	5.9	● Brilliant Red	624	White	Gray	CC	7.8	15.0
D425USOWA/S530-A4	10.16 (0.4")	5.9	● Reddish Orange	615	White	Gray	CC	11.0	24.0
D425SYGWA/S530-E2	10.16 (0.4")	5.9	● Brilliant Yellow Green	573	White	Gray	CC	2.0	3.2
D425SDRWB/A3/S660	10.16 (0.4")	5.9	● Deep Red	639	White	Black	CC	4.0	6.4
D425SDRWA/S530-A4	10.16 (0.4")	5.9	● Deep Red	639	White	Gray	CC	4.0	8.9



UNIT : mm

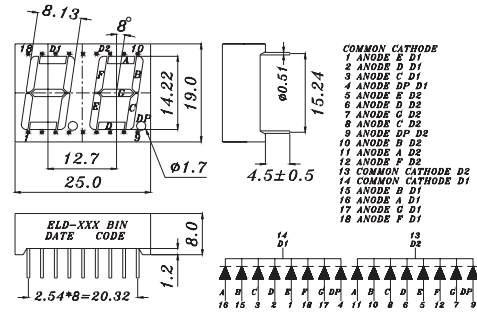


Product	Dimension (mm)		Color				CC/CA	I _v	
	Segment Height mm (inch)	Segment Width mm(inch)	Color	Wavelength (nm) / CIE	Resin Color	Face Color		I _v (mcd) min.	I _v (mcd) typ.
D426SURWB/S530-A3	10.16 (0.4")	5.9	● Brilliant Red	624	White	Black	CA	7.8	15.0
D426USOWA/S530-A3	10.16 (0.4")	5.9	● Reddish Orange	615	White	Gray	CA	11.0	24.0
D426UYOWB/S530-A3	10.16 (0.4")	5.9	● Orange	605	White	Black	CA	5.6	12.5
D426SYGWA/S530-E2	10.16 (0.4")	5.9	● Brilliant Yellow Green	573	White	Gray	CA	2.0	3.2
D426SURWB/S530-A3	10.16 (0.4")	5.9	● Brilliant Red	624	White	Black	CA	7.8	15.0
D426UYOWB/S530-A3	10.16 (0.4")	5.9	● Orange	605	White	Black	CA	5.6	12.5
D426SYGWA/S530-E2	10.16 (0.4")	5.9	● Brilliant Yellow Green	573	White	Gray	CA	2.0	3.2

LED Digital Displays | Chip On Board Display | Dual Digit Display



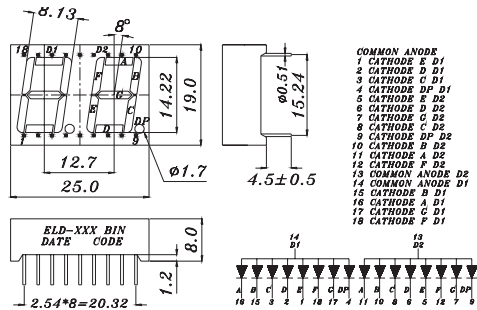
UNIT : mm



Product	Dimension (mm)		Color					CC/CA	I _v		
	Segment Height mm (inch)	Segment Width mm(inch)	Color	Wavelength (nm) / CIE	Resin Color	Face Color	I _v (mcd) min.		I _v (mcd) typ.	I _v (mcd) max	
D511SURWB/S530-A3	14.22 (0.5")	8.13	● Brilliant Red	624	White	Black	CC	7.8	15.0	-	
D511SYGWA/S530-E2	14.22 (0.5")	8.13	● Brilliant Yellow Green	573	White	Gray	CC	2.8	6.4	-	
D511UTWA/T5/S700/S1025	14.22 (0.5")	8.13	○ Pure White	X=0.28,Y=0.267	White	Gray	CC	100.0	-	195.0	
D511UBWA/C470	14.22 (0.5")	8.13	● Blue	470	White	Gray	CC	4.0	6.4	-	
D511USOWA/S530-A4	14.22 (0.5")	8.13	● Reddish Orange	615	White	Gray	CC	7.8	15.0	-	
D511SDRWB/A3/S982	14.22 (0.5")	8.13	● Deep Red	639	White	Black	CC	4.0	8.9	-	
D511SYGWB/S530-E2	14.22 (0.5)	8.13	● Brilliant Yellow Green	573	White	Black	CC	2.8	6.4	-	



UNIT : mm

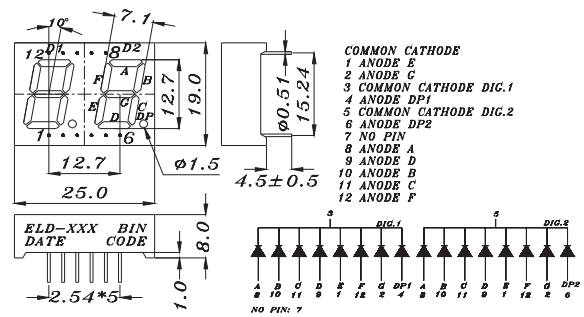


Product	Dimension (mm)		Color					CC/CA	I _v	
	Segment Height mm (inch)	Segment Width mm(inch)	Color	Wavelength (nm) / CIE	Resin Color	Face Color	I _v (mcd) min.		I _v (mcd) typ.	
D512SURWB/S530-A3	14.22 (0.5")	8.13	● Brilliant Red	624	White	Black	CA	7.8	17.6	
D512SYGWB/E2/S962	14.22 (0.5")	8.13	● Brilliant Yellow Green	573	White	Black	CA	2.8	6.4	
D512SDRWB/S530-A3	14.22 (0.5")	8.13	● Deep Red	639	White	Black	CA	4.0	8.9	

LED Digital Displays | Chip On Board Display | Dual Digit Display



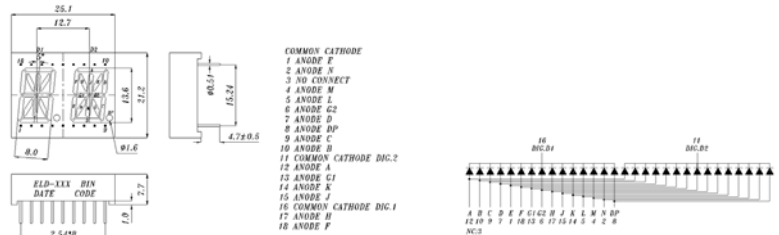
UNIT : mm



Product	Dimension (mm)		Color				CC/CA	I _v	
	Segment Height mm (inch)	Segment Width mm (inch)	Color	Wavelength (nm) / CIE	Resin Color	Face Color		I _v (mcd) min.	I _v (mcd) typ.
D515SURWA/S530-A3	12.7 (0.5")	7.1	● Brilliant Red	624	White	Gray	CC	7.8	15.0



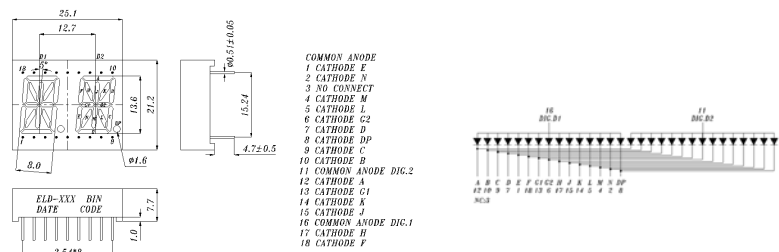
UNIT : mm



Product	Dimension (mm)		Color				CC/CA	I _v	
	Segment Height mm (inch)	Segment Width mm (inch)	Color	Wavelength (nm) / CIE	Resin Color	Face Color		I _v (mcd) min.	I _v (mcd) typ.
D525SURWA/S530-A3	13.6(0.5)	8	● Brilliant Red	624	White	Gray	CC	7.8	12.5
D525SYGWA/S530-E2	13.6(0.5)	8	● Brilliant Yellow Green	573	White	Gray	CC	2.8	4.5
D525USOWA/S530-A3	13.6(0.5)	8	● Reddish Orange	615	White	Gray	CC	5.6	12.5



UNIT : mm

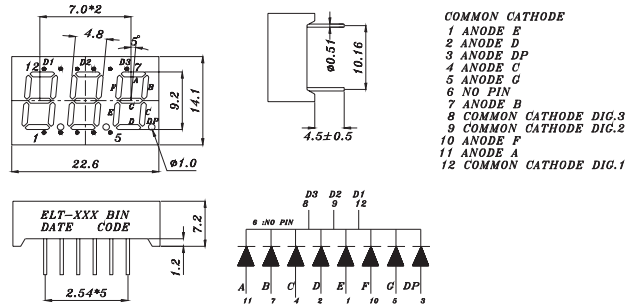


Product	Dimension (mm)		Color				CC/CA	I _v	
	Segment Height mm (inch)	Segment Width mm (inch)	Color	Wavelength (nm) / CIE	Resin Color	Face Color		I _v (mcd) min.	I _v (mcd) typ.
D526SURWA/S530-A3	13.6(0.5)	8	● Brilliant Red	624	White	Gray	CA	7.8	12.5
D526USOWA/S530-A4	13.6(0.5)	8	● Reddish Orange	615	White	Gray	CA	5.6	12.5

LED Digital Displays | Chip On Board Display | Three Digit Display



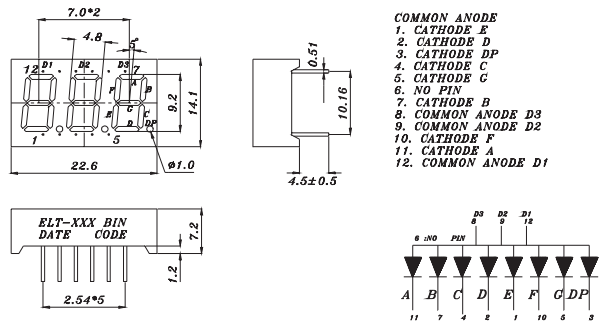
UNIT : mm



Product	Dimension (mm)		Color				CC/CA	I _v	
	Segment Height mm (inch)	Segment Width mm (inch)	Color	Wavelength (nm) / CIE	Resin Color	Face Color		I _v (mcd) min.	I _v (mcd) typ.
T315SYGWA/S530-E2	9.2 (0.3")	4.8	● Brilliant Yellow Green	573	White	Gray	CC	1.4	3.2
T315SURWA/S530-A3	9.2 (0.3")	4.8	● Brilliant Red	624	White	Gray	CC	5.6	12.5
T315UYOWA/S530-A3	9.2 (0.3")	4.8	● Orange	605	White	Gray	CC	4.0	8.9
T315UYWA/S530-A3	9.2 (0.3")	4.8	● Brilliant Yellow	589	White	Gray	CC	2.8	4.5
T315SDRWA/S530-A3	9.2 (0.3")	4.8	● Deep Red	639	White	Gray	CC	4.0	6.4



UNIT : mm

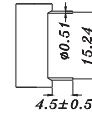
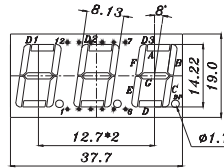


Product	Dimension (mm)		Color				CC/CA	I _v	
	Segment Height mm (inch)	Segment Width mm (inch)	Color	Wavelength (nm) / CIE	Resin Color	Face Color		I _v (mcd) min.	I _v (mcd) typ.
T316SURWA/S530-A3	9.2 (0.3)	4.8	● Brilliant Red	624	White	Gray	CA	5.6	8.9
T316SYGWA/S530-E2	9.2 (0.3)	4.8	● Brilliant Yellow Green	573	White	Gray	CA	1.4	3.2
T316SDRWA/S530-A3	9.2 (0.3)	4.8	● Deep-Red	639	White	Gray	CA	4.0	6.4

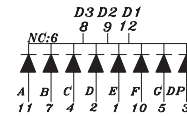
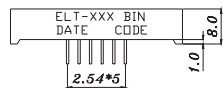
LED Digital Displays | Chip On Board Display | Three Digit Display



UNIT : mm



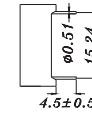
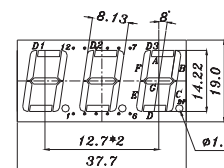
- COMMON CATHODE**
 1 ANODE E
 2 ANODE D
 3 ANODE DP
 4 ANODE C
 5 ANODE B
 6 NO CONNECT
 7 ANODE A
 8 COMMON CATHODE D3
 9 COMMON CATHODE D2
 10 ANODE F
 11 ANODE A
 12 COMMON CATHODE D1



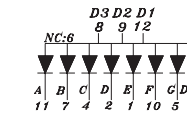
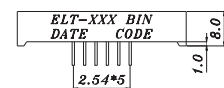
Product	Dimension (mm)		Color				CC/CA	I _v	
	Segment Height mm (inch)	Segment Width mm (inch)	Color	Wavelength (nm) / CIE	Resin Color	Face Color		I _v (mcd) min.	I _v (mcd) typ.
T511SURWA/S530-A3	14.22 (0.5")	8.13	● Brilliant Red	624	White	Gray	CC	7.8	17.6
T511SYGWA/S530-E2	14.22 (0.5")	8.13	● Brilliant Yellow Green	573	White	Gray	CC	2.8	4.5
T511SUGWB/S400-A4/S800	14.22 (0.5")	8.13	● Brilliant Green	525	White	Black	CC	30.0	67.0
T511UYOWA/S530-A3	14.22 (0.5")	8.13	● Orange	605	White	Gray	CC	5.6	12.5
T511SDRWA/S530-A3	14.22 (0.5")	8.13	● Deep Red	639	White	Gray	CC	5.6	12.5



UNIT : mm



- COMMON ANODE**
 1 CATHODE E
 2 CATHODE D
 3 CATHODE DP
 4 CATHODE C
 5 CATHODE B
 6 NO CONNECT
 7 CATHODE A
 8 COMMON ANODE D3
 9 COMMON ANODE D2
 10 COMMON ANODE F
 11 CATHODE A
 12 COMMON ANODE D1



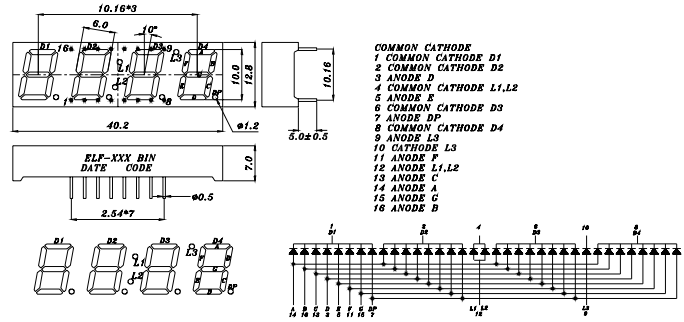
Product	Dimension (mm)		Color				CC/CA	I _v	
	Segment Height mm (inch)	Segment Width mm (inch)	Color	Wavelength (nm) / CIE	Resin Color	Face Color		I _v (mcd) min.	I _v (mcd) typ.
T512SYGWA/S530-E2	14.22 (0.5")	8.13	● Brilliant Yellow Green	573	White	Gray	CA	2.8	4.5
T512SURWA/S530-A3	14.22 (0.5")	8.13	● Brilliant Red	624	White	Gray	CA	7.8	17.6
T512UYOWA/S530-A3	14.22 (0.5")	8.13	● Orange	605	White	Gray	CA	5.6	12.5
T512USOWA/S530-A4	14.22 (0.5")	8.13	● Reddish Orange	615	White	Gray	CA	7.8	17.6
T512SUBWA/X9	14.22 (0.5")	8.13	● Blue	470	White	Gray	CA	11.0	24.0
T512SDRWB/A3	14.22 (0.5")	8.13	● Deep Red	639	White	Black	CA	5.6	12.5
T512SURWB/S530-A3	14.22 (0.5)	8.13	● Brilliant Red	624	White	Black	CA	7.8	17.6
T512SYGWB/S530-E2	14.22 (0.5)	8.13	● Brilliant Yellow Green	573	White	Black	CA	2.8	4.5

LED Digital Displays

LED Digital Displays | Chip On Board Display | Four Digit Display



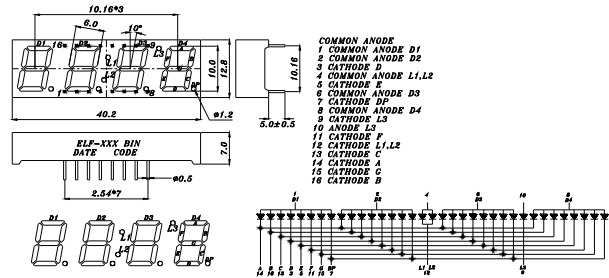
UNIT : mm



Product	Dimension (mm)		Color				CC/CA	I _v	
	Segment Height mm (inch)	Segment Width mm(inch)	Color	Wavelength (nm) / CIE	Resin Color	Face Color		I _v (mcd) min.	I _v (mcd) typ.
F415SURWA/S530-A3	10(0.4)	6	● Brilliant Red	624	White	Gray	CC	5.6	8.9
F415SURWB/S530-A3	10 (0.4)	6	● Brilliant Red	625	White	Black	CC	5.0	8.9
F415UYOWB/S530-A3/S715	10 (0.4")	6	● Orange	605	White	Black	CC	7.8	17.6



UNIT : mm

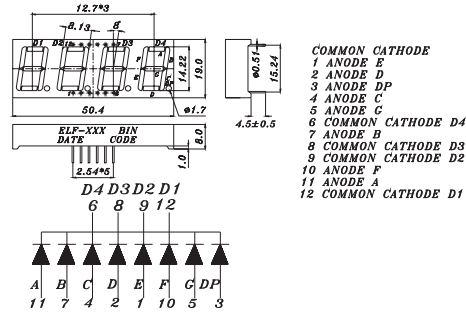


Product	Dimension (mm)		Color				CC/CA	I _v	
	Segment Height mm (inch)	Segment Width mm(inch)	Color	Wavelength (nm) / CIE	Resin Color	Face Color		I _v (mcd) min.	I _v (mcd) typ.
F416SYGWA/S530-E3	10 (0.4")	6	● Brilliant Yellow Green	573	White	Gray	CA	4.0	8.9
F416SURWB/S530-A3	10 (0.4")	6	● Brilliant Red	624	White	Black	CA	5.6	8.9
F416USRWA/S530-A3	10 (0.4")	6	● Dark Red	631	White	Gray	CA	5.6	8.9
F416UYWB/S530-A3/P53	10 (0.4")	6	● Brilliant Yellow	589	White	Black	CA	5.6	12.5
F416SURWA/S530-A3	10 (0.4)	6	● Brilliant Red	624	White	Gray	CA	5.6	12.5

LED Digital Displays | Chip On Board Display | Four Digit Display



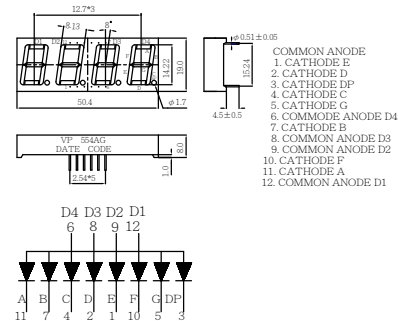
UNIT : mm



Product	Dimension (mm)		Color				CC/CA	I _v	
	Segment Height mm (inch)	Segment Width mm(inch)	Color	Wavelength (nm) / CIE	Resin Color	Face Color		I _v (mcd) min.	I _v (mcd) typ.
F511SURWA/S530-A3	14.22 (0.5")	8.13	● Brilliant Red	624	White	Gray	CC	7.8	15.0
F511SYGWA/S530-E2	14.22 (0.5")	8.13	● Brilliant Yellow Green	573	White	Gray	CC	2.8	6.4
F511SDRWB/S530-A3	14.22 (0.5")	8.13	● Deep Red	639	White	Black	CC	5.6	12.5
F511SURWB/S530-A3	14.22 (0.5")	8.13	● Brilliant Red	624	White	Black	CC	11	24



UNIT : mm



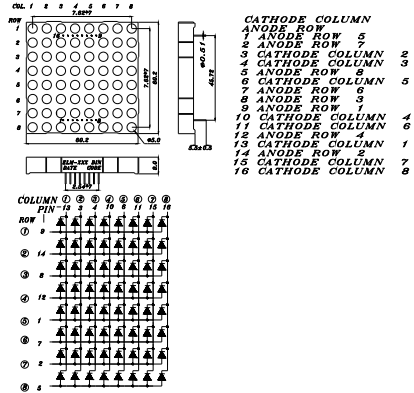
Product	Dimension (mm)		Color				CC/CA	I _v	
	Segment Height mm (inch)	Segment Width mm(inch)	Color	Wavelength (nm) / CIE	Resin Color	Face Color		I _v (mcd) min.	I _v (mcd) typ.
F512SURWA/S530-A3	14.22 (0.5")	8.13	● Brilliant Red	624	White	Gray	CA	7.8	15.0
F512SYGWA/S530-E2	14.22 (0.5")	8.13	● Brilliant Yellow Green	573	White	Gray	CA	2.8	6.4
F512SDRWB/S530-A3	14.22 (0.5")	8.13	● Deep Red	639	White	Black	CA	5.6	12.5
F512SUBWB/X9/S800	14.22 (0.5")	8.13	● Blue	470	White	Black	CA	7.8	17.6

LED Digital Displays

LED Digital Displays | Chip On Board Display | Dot Matrix Display



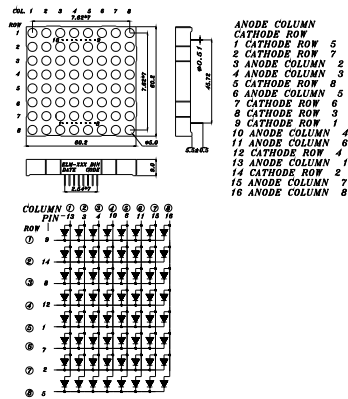
UNIT : mm



Product	Size (LxWmm)	Color				CC/CA	I _v	
		Color	Wavelength (nm) / CIE	Resin Color	Face Color		I _v (mcd) min.	I _v (mcd) typ.
M2881SURWA/S530-A3	60.2x60.2	● Brilliant Red	624	White	Gray	CC	7.8	21.0
M2881SYGWA/S530-E2	60.2x60.2	● Brilliant Yellow Green	573	White	Gray	CC	7.8	17.6
M2881UYWA/S530-A3	60.2x60.2	● Brilliant Yellow	589	White	Gray	CC	11.0	17.6

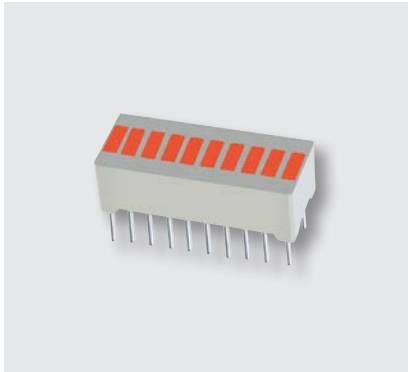


UNIT : mm

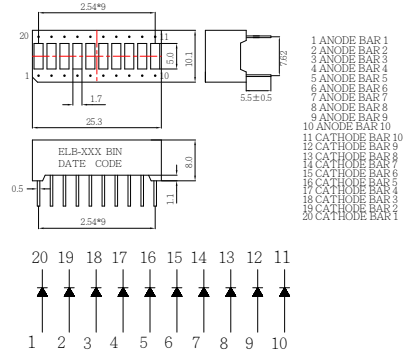


Product	Size (LxWmm)	Color				CC/CA	I _v	
		Color	Wavelength (nm) / CIE	Resin Color	Face Color		I _v (mcd) min.	I _v (mcd) typ.
M2882SYGWA/S530-E2	60.2x60.2	● Brilliant Yellow Green	573	White	Gray	CA	7.8	17.6

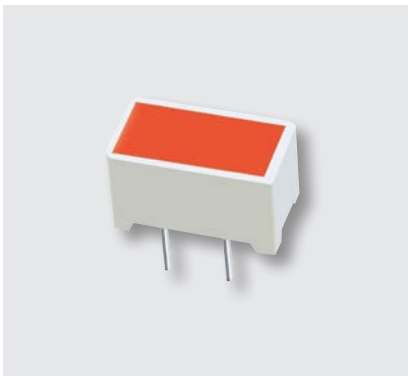
LED Digital Displays | Chip On Board Display | Light Bar Display



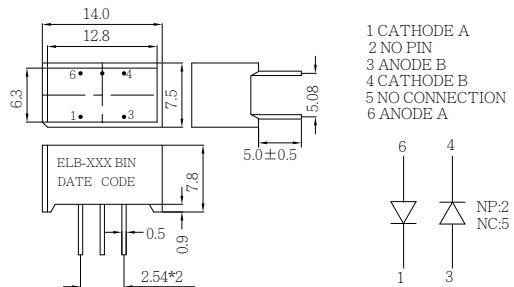
UNIT : mm



Product	Size (LxWmm)	Color				CC/CA	I _v	
		Color	Wavelength (nm) / CIE	Resin Color	Face Color		I _v (mcd) min.	I _v (mcd) typ.
B1001SDRWB/S530-A3	25.3x10.1	● Deep Red	639	White	Black	CC	4.0	8.9
B1001SURWB/S530-A3	25.3x10.1	● Brilliant Red	624	White	Black	CC	5.6	12.5
B1001USOWA/S530-A4	25.3x10.1	● Reddish Orange	615	White	Gray	CC	7.8	17.6
B1001SYGWA/S530-E2	25.3x10.1	● Brilliant Yellow Green	573	White	Gray	CC	2.8	4.5
B1001UBWA/C470	25.3x10.1	● Blue	470	White	Gray	CC	4.0	8.9
B1001UYWA/S530-A3	25.3x10.1	● Super Yellow	589	White	Gray	CC	7.8	12.5



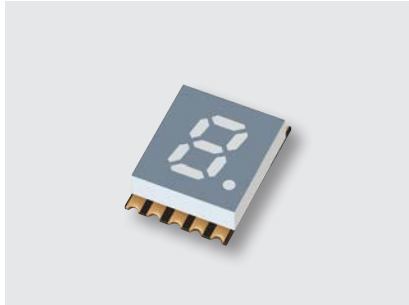
UNIT : mm



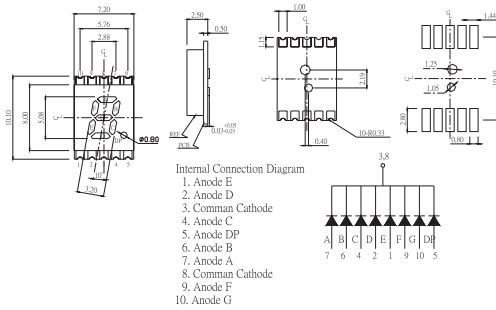
Product	Size (LxWmm)	Color				CC/CA	I _v	
		Color	Wavelength (nm) / CIE	Resin Color	Face Color		I _v (mcd) min.	I _v (mcd) typ.
B1010SURD/S530-A3	14.0x7.5	● Brilliant Red	624	Red	White	CA	11.0	24.0
B1010SYGD/S530-E2	14.0x7.5	● Brilliant Yellow Green	573	Green	White	CA	2.8	6.4
B1010UYD/S530-A3	14.0x7.5	● Brilliant Yellow	589	Yellow	White	CA	15.0	34.0

LED Digital Displays

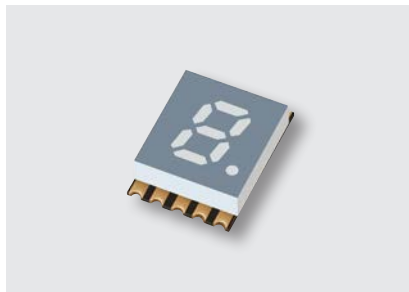
LED Digital Displays | SMD Display | Single Digit Display



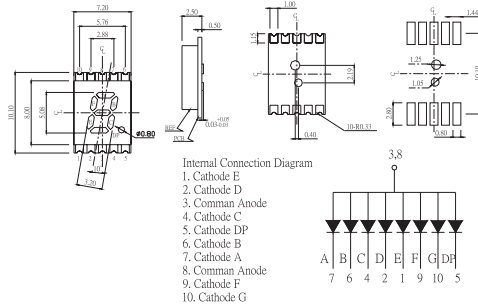
UNIT : mm



Product	Dimension (mm)		Color				CC/CA	I _v	
	Segment Height mm (inch)	Segment Width mm(inch)	Color	Wavelength (nm) / CIE	Resin Color	Face Color		I _v (mcd) min.	I _v (mcd) typ.
SS205SURWA/S530-A3/S290	5.08 (0.2")	3.2	● Brilliant Red	624	White	Gray	CC	5.6	12.5
SS205UYOWA/S530-A3/S290	5.08 (0.2")	3.2	● Brilliant Orange	605	White	Gray	CC	7.8	17.6
SS205UYWA/S530-A3/S290	5.08 (0.2")	3.2	● Brilliant Yellow	589	White	Gray	CC	7.8	17.6
SS205SYGWA/S530-E2/S290	5.08 (0.2")	3.2	● Brilliant Yellow Green	573	White	Gray	CC	4.0	8.9
SS205SUBWA/S400-A3/S669	5.08 (0.2")	3.2	● Blue	470	White	Gray	CC	7.8	17.6

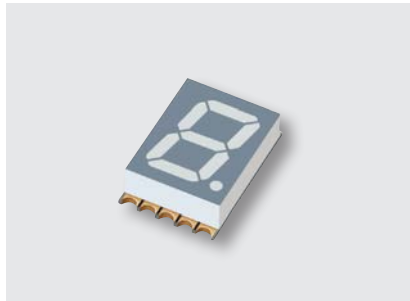


UNIT : mm

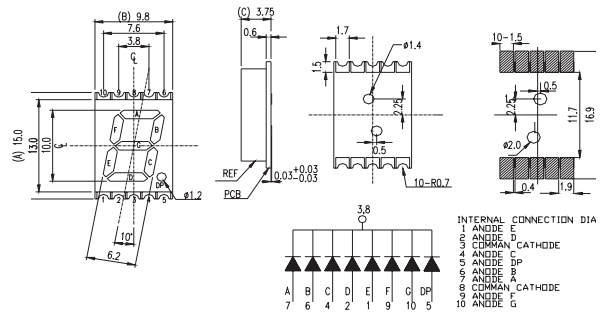


Product	Dimension (mm)		Color				CC/CA	I _v	
	Segment Height mm (inch)	Segment Width mm(inch)	Color	Wavelength (nm) / CIE	Resin Color	Face Color		I _v (mcd) min.	I _v (mcd) typ.
SS206SURWA/S530-A3/S290	5.08 (0.2")	3.2	● Brilliant Red	624	White	Gray	CA	5.6	12.5
SS206SYGWA/S530-E2/S290	5.08 (0.2")	3.2	● Brilliant Yellow Green	573	White	Gray	CA	4.0	8.9
SS206USRWA/S530-A3/S290	5.08 (0.2")	3.2	● Dark Red	631	White	Gray	CA	4.0	8.9

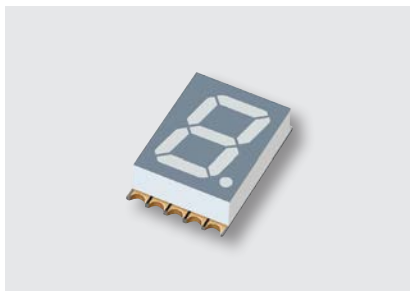
LED Digital Displays | SMD Display | Single Digit Display



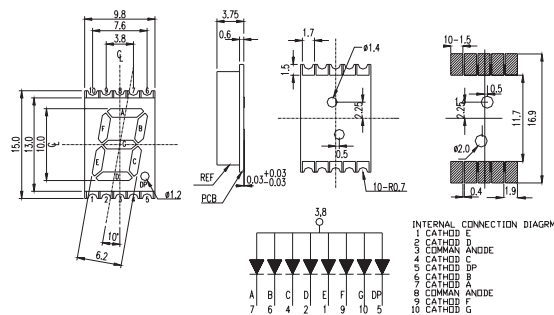
UNIT : mm



Product	Dimension (mm)		Color				CC/CA	I _v	
	Segment Height mm (inch)	Segment Width mm (inch)	Color	Wavelength (nm) / CIE	Resin Color	Face Color		I _v (mcd) min.	I _v (mcd) typ.
SS405SURWA/S530-A3/S290	10 (0.4")	6.2	● Brilliant Red	624	White	Gray	CC	7.8	17.6
SS405SYGWA/S530-E2	10 (0.4")	6.2	● Brilliant Yellow Green	573	White	Gray	CC	5.6	12.5



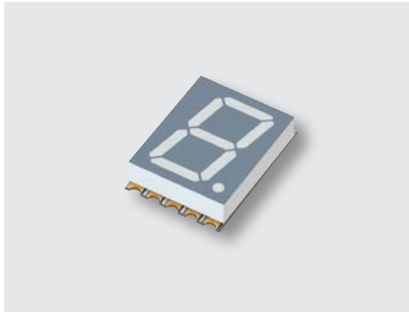
UNIT : mm



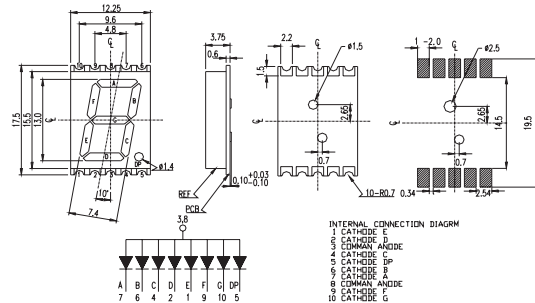
Product	Dimension (mm)		Color				CC/CA	I _v	
	Segment Height mm (inch)	Segment Width mm (inch)	Color	Wavelength (nm) / CIE	Resin Color	Face Color		I _v (mcd) min.	I _v (mcd) typ.
SS406SURWA/S530-A3/S290	10 (0.4")	6.2	● Brilliant Red	624	White	Gray	CA	7.8	17.6
SS406SYGWA/S530-E2	10 (0.4")	6.2	● Brilliant Yellow Green	573	White	Gray	CA	5.6	12.5
SS406UBWA/C470/S290	10 (0.4")	6.2	● Blue	470	White	Gray	CA	15.0	40.5
SS406USRWA/S530-A3/S290	10 (0.4")	6.2	● Dark Red	631	White	Gray	CA	5.6	12.5
SS406UWWA/S290	10 (0.4")	6.2	○ Pure White	X=0.270/0.310 Y=0.222/0.343	White	Gray	CA	30.0	67.0
SS406UYWA/S530-A4/S290	10 (0.4")	6.2	● Brilliant Yellow	589	White	Gray	CA	15.0	34.0

LED Digital Displays

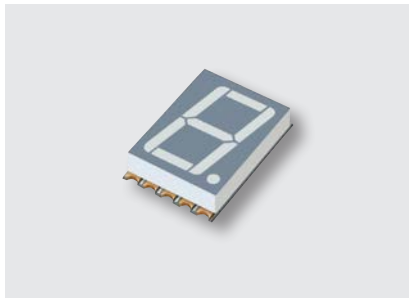
LED Digital Displays | SMD Display | Single Digit Display



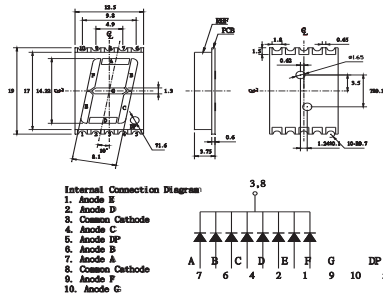
UNIT : mm



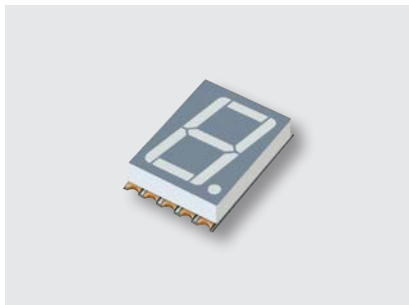
Product	Dimension (mm)		Color				CC/CA	I _v	
	Segment Height mm (inch)	Segment Width mm(inch)	Color	Wavelength (nm) / CIE	Resin Color	Face Color		I _v (mcd) min.	I _v (mcd) typ.
SS506SYGWA/S530-E2	13.0(0.5)	7.4	● Brilliant Yellow Green	573	White	Gray	CA	5.6	9.1
SS506SURWA/S530-A4/S290	13.0(0.5)	7.4	● Brilliant Red	624	White	Gray	CA	7.8	15.0
SS506UTWA/T5/S290	13.0(0.5)	7.4	○ Pure White	X=0.270/0.310 Y=0.222/0.343	White	Gray	CA	30.0	86.9



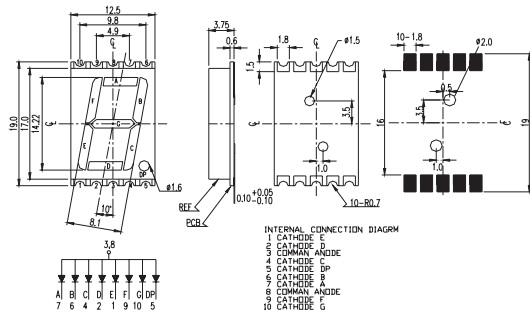
UNIT : mm



Product	Dimension (mm)		Color				CC/CA	I _v	
	Segment Height mm (inch)	Segment Width mm(inch)	Color	Wavelength (nm) / CIE	Resin Color	Face Color		I _v (mcd) min.	I _v (mcd) typ.
SS511SURWA/S530-A3/S290	14.22 (0.5")	8.1	● Hyper Red	624	White	Gray	CC	15.0	34
SS511SYGWA/S530-E2/S290	14.22 (0.5")	8.1	● Brilliant Yellow Green	573	White	Gray	CC	4.0	8.9
SS511UBWA/C470	14.22 (0.5")	8.1	● Blue	470	White	Gray	CC	11.0	24.0

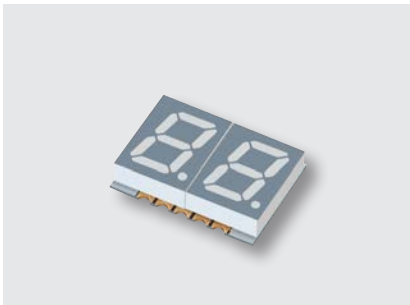


UNIT : mm

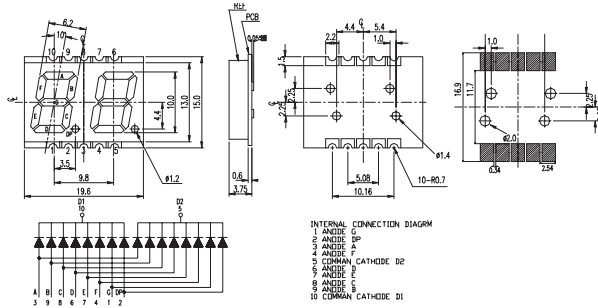


Product	Dimension (mm)		Color				CC/CA	I _v	
	Segment Height mm (inch)	Segment Width mm(inch)	Color	Wavelength (nm) / CIE	Resin Color	Face Color		I _v (mcd) min.	I _v (mcd) typ.
SS512SURWA/S530-A3/S290	14.22 (0.5")	8.1	● Brilliant Red	624	White	Gray	CA	11.0	24
SS512SYGWA/S530-E2	14.22 (0.5")	8.1	● Brilliant Yellow Green	573	White	Gray	CA	4.0	8.9

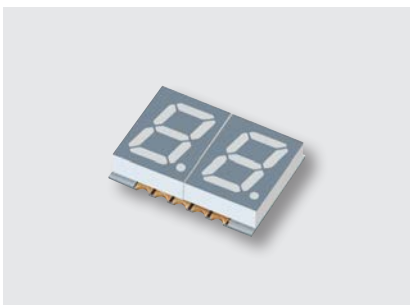
LED Digital Displays | SMD Display | Dual Digit Display



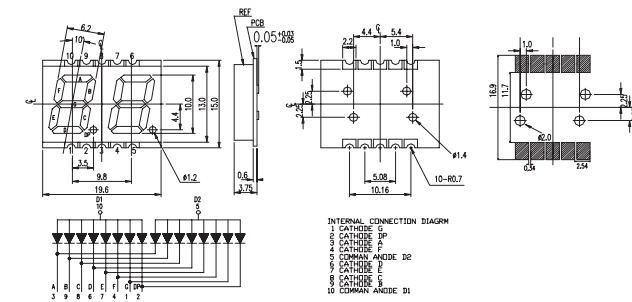
UNIT : mm



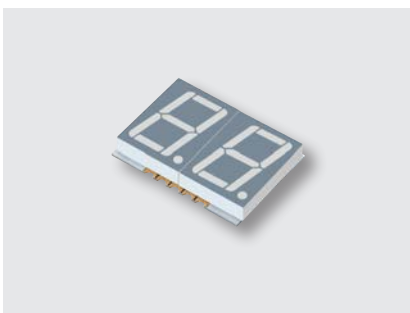
Product	Dimension (mm)		Color				CC/CA	I _v	
	Segment Height mm (inch)	Segment Width mm (inch)	Color	Wavelength (nm) / CIE	Resin Color	Face Color		I _v (mcd) min.	I _v (mcd) typ.
SD405SURWA/S530-A3/S290	10 (0.4")	6.2	● Brilliant Red	624	White	Gray	CC	7.8	17.6
SD405SYGWA/S530-E2	10 (0.4")	6.2	● Brilliant Yellow Green	573	White	Gray	CC	5.6	12.5
SD405SDRWB/S530-A3/S968	10 (0.4")	6.2	● Deep Red	639	White	Black	CC	7.8	17.6



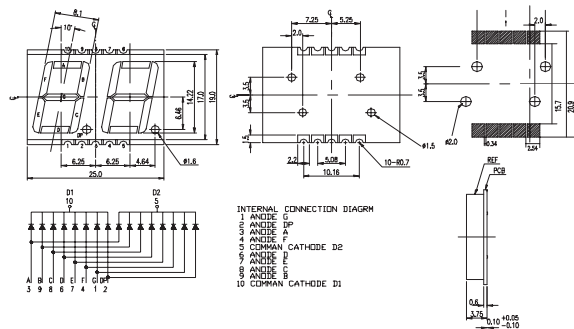
UNIT : mm



Product	Dimension (mm)		Color				CC/CA	I _v	
	Segment Height mm (inch)	Segment Width mm (inch)	Color	Wavelength (nm) / CIE	Resin Color	Face Color		I _v (mcd) min.	I _v (mcd) typ.
SD406SURWA/S530-A4/S290	10 (0.4")	6.2	● Brilliant Red	624	White	Gray	CA	7.8	17.6
SD406SYGWA/S530-E2/S290	10 (0.4")	6.2	● Brilliant Yellow Green	573	White	Gray	CA	5.6	12.5
SD406UWWA/S290	10 (0.4")	6.2	○ Pure White	X=0.270/0.310 Y=0.222/0.343	White	Gray	CA	30.0	67.0



UNIT : mm



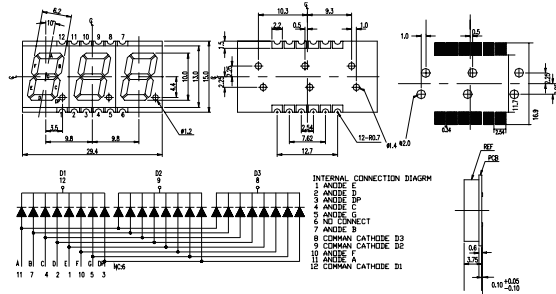
Product	Dimension (mm)		Color				CC/CA	I _v	
	Segment Height mm (inch)	Segment Width mm (inch)	Color	Wavelength (nm) / CIE	Resin Color	Face Color		I _v (mcd) min.	I _v (mcd) typ.
SD511SYGWA/S530-E2/S290	14.22 (0.5")	8.1	● Brilliant Yellow Green	573	White	Gray	CC	5.6	12.5

LED Digital Displays

LED Digital Displays | SMD Display | Three Digit Display



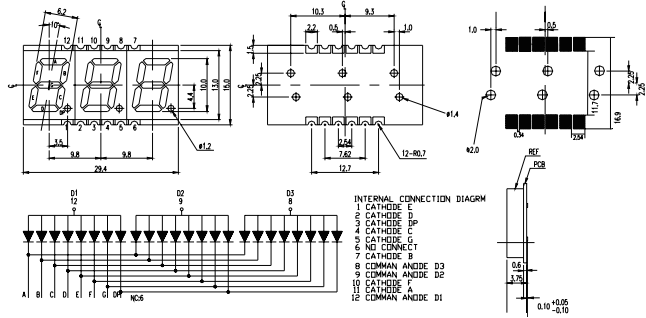
UNIT : mm



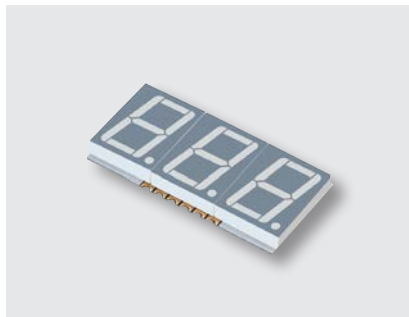
Product	Dimension (mm)		Color				CC/CA	I _v	
	Segment Height mm (inch)	Segment Width mm(inch)	Color	Wavelength (nm) / CIE	Resin Color	Face Color		I _v (mcd) min.	I _v (mcd) typ.
ST405SYGWA/S530-E2	10 (0.4")	6.2	● Brilliant Yellow Green	573	White	Gray	CC	4.0	8.9
ST405UYOWA/S530-A3/S290	10 (0.4")	6.2	● Brilliant Orange	605	White	Gray	CC	18.0	34.0
ST405SUGWA/S530-A4/S290	10 (0.4")	6.2	● Brilliant Green	525	White	Gray	CC	21.0	48.0



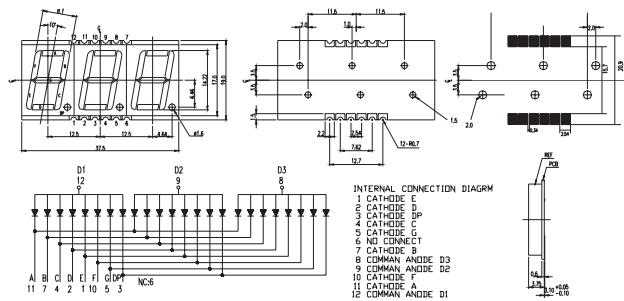
UNIT : mm



Product	Dimension (mm)		Color				CC/CA	I _v	
	Segment Height mm (inch)	Segment Width mm(inch)	Color	Wavelength (nm) / CIE	Resin Color	Face Color		I _v (mcd) min.	I _v (mcd) typ.
ST406SURWA/S530-A3/S290	10 (0.4")	6.2	● Brilliant Red	624	White	Gray	CA	7.8	17.6
ST406SYGWA/S530-E2	10 (0.4")	6.2	● Brilliant Yellow Green	573	White	Gray	CA	4.0	8.9



UNIT : mm

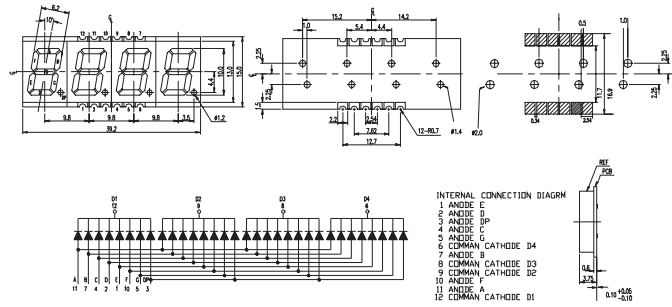


Product	Dimension (mm)		Color				CC/CA	I _v	
	Segment Height mm (inch)	Segment Width mm(inch)	Color	Wavelength (nm) / CIE	Resin Color	Face Color		I _v (mcd) min.	I _v (mcd) typ.
ST512SURWA/S530-A3/S290	14.22(0.5")	8.1	● Brilliant Red	624	White	Gray	CA	7.8	17.6
ST512SYGWA/S530-E2/S290	14.22(0.5")	8.1	● Brilliant Yellow Green	573	White	Gray	CA	7.8	17.6
ST512UBWA/C470/S290	14.22 (0.5")	8.1	● Blue	470	White	Gray	CA	15.0	37.2

LED Digital Displays | SMD Display | Four Digit Display



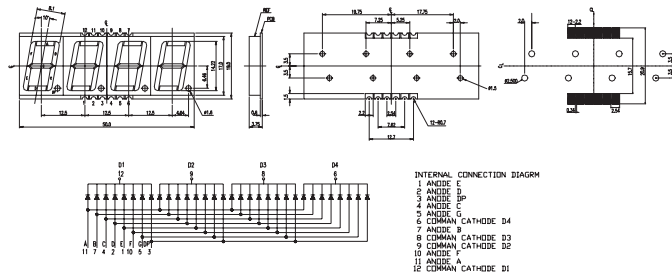
UNIT : mm



Product	Dimension (mm)		Color				CC/CA	I _V	
	Segment Height mm (inch)	Segment Width mm (inch)	Color	Wavelength (nm) / CIE	Resin Color	Face Color		I _V (mcd) min.	I _V (mcd) typ.
SF405SURWA/S530-A3/S290	10 (0.4")	6.2	● Brilliant Red	624	White	Gray	CC	7.8	17.6
SF405UYOWA/A3/S290	10 (0.4")	6.2	● Brilliant Orange	605	White	Gray	CC	11.0	24.0



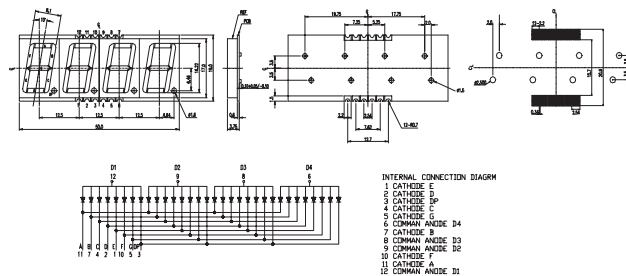
UNIT : mm



Product	Dimension (mm)		Color				CC/CA	I _V	
	Segment Height mm (inch)	Segment Width mm (inch)	Color	Wavelength (nm) / CIE	Resin Color	Face Color		I _V (mcd) min.	I _V (mcd) typ.
SF511SURWA/S530-A3/S290	14.22 (0.5")	8.1	● Brilliant Red	624	White	Gray	CC	11.0	24
SF511SYGWA/S530-E2/S796	14.22 (0.5")	8.1	● Brilliant Yellow Green	568.5~574.5	White	Gray	CC	4.0	8.9



UNIT : mm



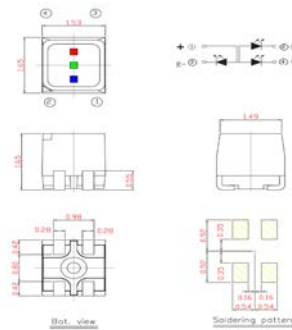
Product	Dimension (mm)		Color				CC/CA	I _V	
	Segment Height mm (inch)	Segment Width mm (inch)	Color	Wavelength (nm) / CIE	Resin Color	Face Color		I _V (mcd) min.	I _V (mcd) typ.
SF512SYGWA/S530-E2/S290	14.22 (0.5")	8.1	● Brilliant Yellow Green	573	White	Gray	CA	4.0	8.9
SF512SURWA/S530-A3/S290	14.22 (0.5")	8.1	● Brilliant Red	624	White	Gray	CA	11	24

LED Digital Displays

Signage LED | Surface Mount PLCC LED (Reflector) | Top View PLCC6



UNIT : mm

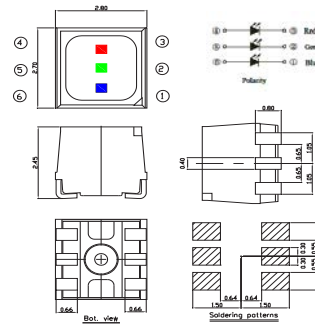


Product	Size (LxWxHmm)	Color		I _V		V _F		IF(mA)	View Angle(°)
		Color	Wavelength nm / CIE	I _V (mcd) min.	I _V (mcd) max.	V _F (V) min.	V _F (V) max.		
HNB1515W-OS12	1.65 x 1.5 x 1.65	● Red	618~626	500	900	1.8	2.6	20	110
		● Green	520~530	900	1492	2.4	3.5	15	110
		● Blue	466~476	212	377	2.4	3.5	15	110

• Product Availability : Please visit EVERLIGHT website for more updated information (www.everlight.com) or contact EVERLIGHT sales for regional options.



UNIT : mm

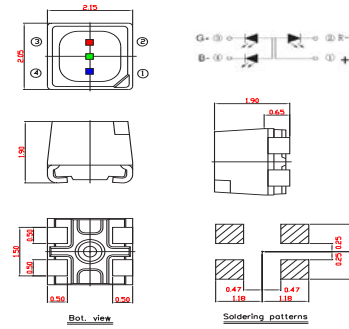


Product	Size (LxWxHmm)	Color		I _V		V _F		IF(mA)	View Angle(°)
		Color	Wavelength nm / CIE	I _V (mcd) min.	I _V (mcd) max.	V _F (V) min.	V _F (V) max.		
HNB2727W-OS01	2.84 x 2.74 x 2.45	● Brilliant Red	619~624	450	650	1.8	2.5	15	110
		● Brilliant Green	520~529	846	1235	2.5	3.2	10	110
		● Blue	466~473	120	182	2.5	3.3	10	110

Signage LED | Surface Mount PLCC LED (Reflector) | Top View PLCC6



UNIT : mm

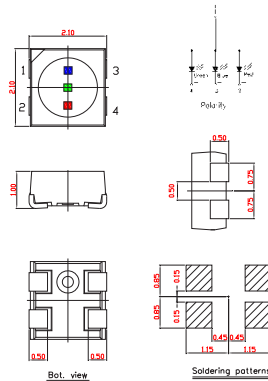


Product	Size (LxWxHmm)	Color		I _V		V _F		IF(mA)	View Angle(°)
		Color	Wavelength nm / CIE	I _V (mcd) min.	I _V (mcd) max.	V _F (V) min.	V _F (V) max.		
HNB1921W-OS01	2.15 x 2.05 x 1.9	● Red	618~623	400	585	1.8	2.5	15	110
		● Green	520~529	600	845	2.5	3.2	8	110
		● Blue	466~473	80	124	2.5	3.2	5	110

Signage LED | Surface Mount PLCC LED (Reflector) | Top View Full Color



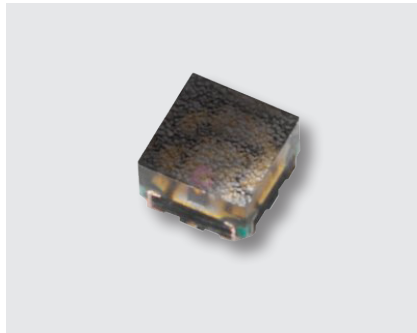
UNIT : mm



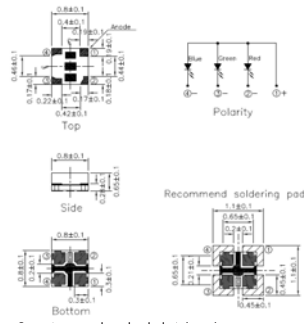
Product	Size (LxWxHmm)	Color		I _V		V _F		IF(mA)
		Color	Wavelength nm / CIE	I _V (mcd) min.	I _V (mcd) max.	V _F (V) min.	V _F (V) max.	
HNA2121W-IS01	2.1x2.1x1.0	● Red	618~623	52	81	1.8	2.5	10
		● Green	524~531	170	240	2.5	3.2	5
		● Blue	465~470	35	52	2.5	3.2	5

Signage LED

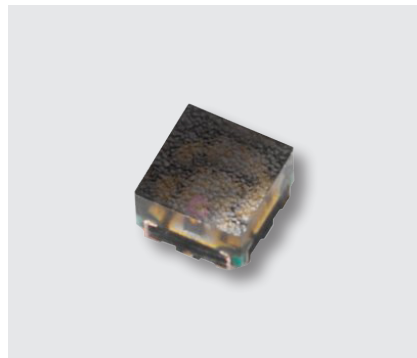
Signage LED | Surface Mount PLCC LED (Reflector) | Top View Full Color



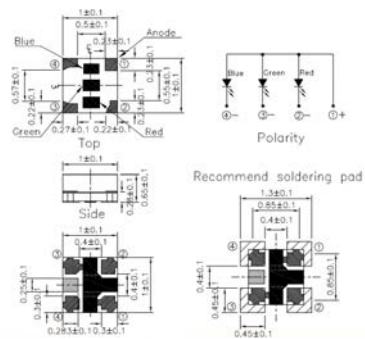
UNIT : mm



Product	Size (LxWxHmm)	Color		I _V			V _F			IF(mA)
		Color	Wavelength nm / CIE	I _V (mcd) min.	I _V (mcd) typ.	I _V (mcd) max.	V _F (V) min.	V _F (V) typ.	V _F (V) max.	
18-039FBT/BDGAR6S1-FM02/38T	0.8x0.8x0.65	● Red	619~624	32.77	-	81.19	2.0	-	2.4	5
	0.8x0.8x0.65	● Green	523~532	28.49	-	70.54	2.4	-	2.8	2
	0.8x0.8x0.65	● Blue	463~472	5.91	-	14.63	2.6	-	3.0	2



UNIT : mm



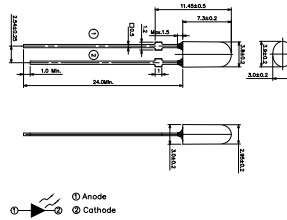
Product	Size (LxWxHmm)	Color		I _V			V _F			IF(mA)
		Color	Wavelength nm / CIE	I _V (mcd) min.	I _V (mcd) typ.	I _V (mcd) max.	V _F (V) min.	V _F (V) typ.	V _F (V) max.	
18-038BT/BDGAR6S1-FM01/10T	1.0x1.0x0.65	● Red	619-629	18.4	-	31	1.7	-	2.4	5
	1.0x1.0x0.65	● Green	523-528	6.1	-	104	2.5	-	3.2	5
	1.0x1.0x0.65	● Blue	463-468	8.8	-	25.4	2.5	-	3.2	5

Signage LED | 3mm Oval Type

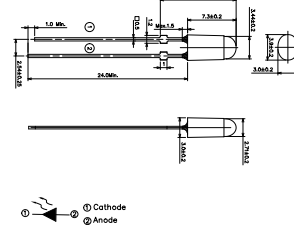


UNIT : mm

3474BAGR
3474BABR



3474BARR

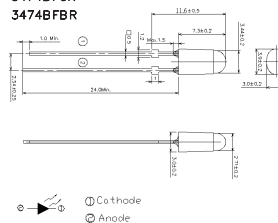


Product	Dimension (mm)	Color		I _V			V _F			IF (mA)	Viewing Angle(°)
		Color	Wavelength nm / CIE	I _V (mcd) min.	I _V (mcd) typ.	I _V (mcd) max.	V _F (V) min.	V _F (V) typ.	V _F (V) max.		
3474BARR/MS	3.9x3x7.3	● Red	619~629	715	-	1573	1.6	-	2.6	15	X:110 Y: 60
3474BAGR/MS	3.9x3x7.3	● Green	520~535	1230	-	3515	2.4	-	3.4	10	X:110 Y: 60
3474BABR/MS	3.9x3x7.3	● Blue	460~475	240	-	685	2.4	-	3.4	10	X:110 Y: 60

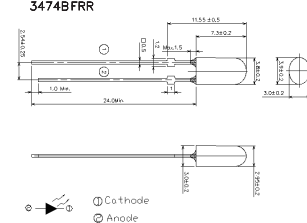


UNIT : mm

3474BFGR
3474BFBR



3474BFRR



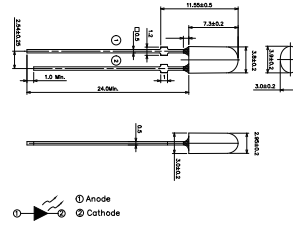
Product	Dimension (mm)	Color		I _V			V _F			IF (mA)	Viewing Angle(°)
		Color	Wavelength nm / CIE	I _V (mcd) min.	I _V (mcd) typ.	I _V (mcd) max.	V _F (V) min.	V _F (V) typ.	V _F (V) max.		
3474BFRR/MS	3.9x3x7.3	● Red	619~629	1205	1605	2490	1.6	-	2.6	20	X:110 Y: 60
3474BFGR/MS	3.9x3x7.3	● Green	520~535	2781	4635	5760	2.4	-	3.6	20	X:110 Y: 60
3474BFBR/MS	3.9x3x7.3	● Blue	460~475	550	800	1130	2.4	-	3.6	20	X:110 Y: 60

Signage LED | 3mm Oval Type

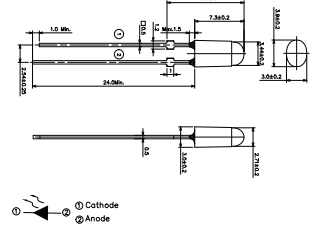


UNIT : mm

3474BKGR
3474BKBR



3474BKRR



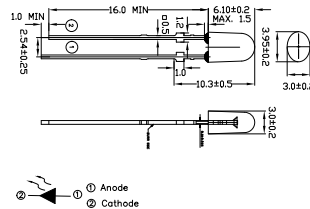
Product	Dimension (mm)	Color		I _V			V _F			IF (mA)	Viewing Angle(°)
		Color	Wavelength nm / CIE	I _V (mcd) min.	I _V (mcd) typ.	I _V (mcd) max.	V _F (V) min.	V _F (V) typ.	V _F (V) max.		
3474BKRR/MS	3.9x3x7.3	● Red	619~629	1205	1605	2490	1.6	-	2.6	20	X:110 Y: 60
3474BKGR/MS	3.9x3x7.3	● Green	520~535	2781	4635	5760	2.4	-	3.4	20	X:110 Y: 60
3474BKBR/MS	3.9x3x7.3	● Blue	460~472	550	800	1130	2.4	-	3.4	20	X:110 Y: 60

• Product Availability : Please visit EVERLIGHT website for more updated information (www.everlight.com) or contact EVERLIGHT sales for regional options.

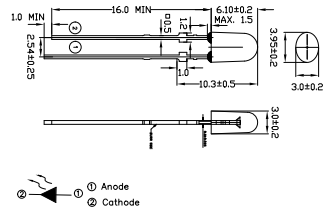


UNIT : mm

3474DKGR
3474DKBR



3474DKRR



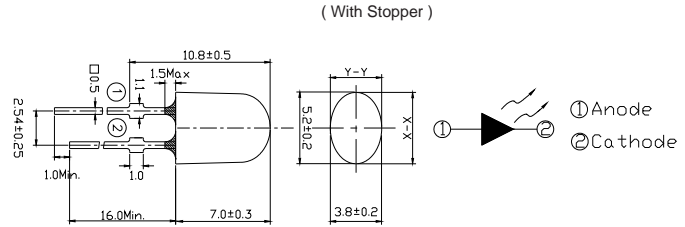
Product	Dimension (mm)	Color		I _V			V _F			IF (mA)	Viewing Angle(°)
		Color	Wavelength nm / CIE	I _V (mcd) min.	I _V (mcd) typ.	I _V (mcd) max.	V _F (V) min.	V _F (V) typ.	V _F (V) max.		
3474DKRR/MS	3.95x3x6.1	● Red	619~629	1976	2800	4600	1.6	-	2.6	20	X:90Y:45
3474DKGR/MS	3.95x3x6.1	● Green	520~535	5020	6480	12000	2.4	-	3.4	20	X:90Y:45
3474DKBR/MS	3.95x3x6.1	● Blue	460~475	934	1140	2130	2.4	-	3.4	20	X:90Y:45

• Product Availability : Please visit EVERLIGHT website for more updated information (www.everlight.com) or contact EVERLIGHT sales for regional options.

Signage LED | 5mm Oval Type

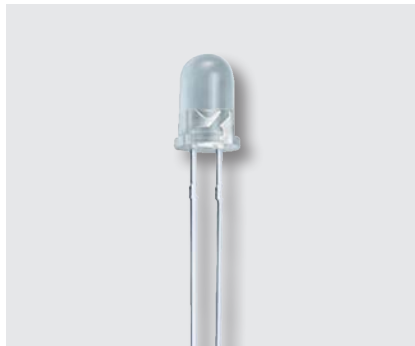


UNIT : mm

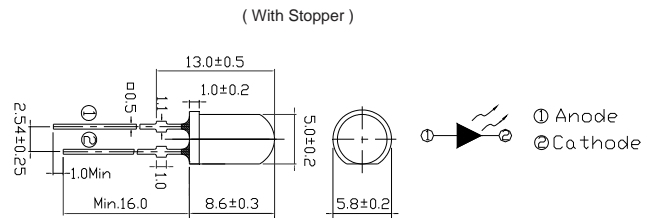


Product	Dimension (mm)	Color		I _V			V _F			IF (mA)	Viewing Angle(°)
		Color	Wavelength nm / CIE	I _V (mcd) min.	I _V (mcd) typ.	I _V (mcd) max.	V _F (V) min.	V _F (V) typ.	V _F (V) max.		
5484BN/R7DC-AHJB/P/MS	5.2x3.8x7	● Red	619~628	1220	-	2040	1.8	-	2.4	20	X:110 Y: 40
5484BN/GADC-AMNA/P/MS	5.2x3.8x7	● Green	525~535	2880	-	2970	2.8	-	3.6	20	X:110 Y: 40
5484BN/BADC-AGJA/P/MS	5.2x3.8x7	● Blue	465~475	720	-	1450	2.8	-	3.6	20	X:110 Y: 40

Signage LED | 5mm Round Type



UNIT : mm

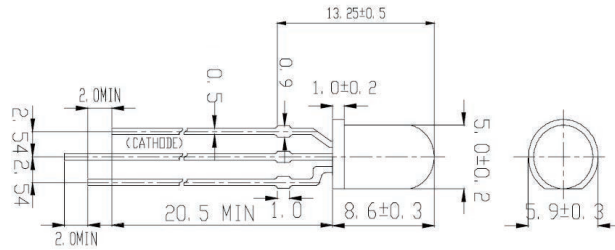


Product	Dimension (mm)	Color		I _V			V _F			IF (mA)	Viewing Angle(°)
		Color	Wavelength nm / CIE	I _V (mcd) min.	I _V (mcd) typ.	I _V (mcd) max.	V _F (V) min.	V _F (V) typ.	V _F (V) max.		
333/Y5C1-ATWB/MS	5.8 x 5 x 8.6	● Yellow	586~594	7150	-	18000	1.8	2	2.6	20	15
333/G1C1-AVYA/MS	5.8 x 5 x 8.6	● Green	525~535	18000	28500	45000	2.8	3.2	3.6	20	15
333/B1C1-ARUA/MS	5.8 x 5 x 8.6	● Blue	465~470	4500	7150	11250	2.8	3.2	3.6	20	15

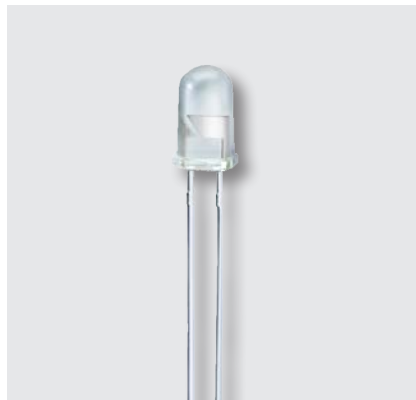
Signage LED | 5mm Round Type



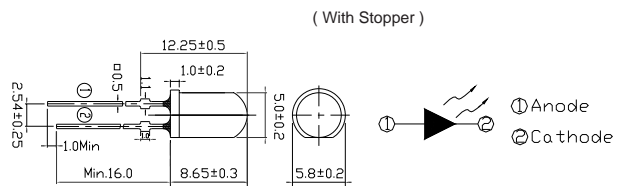
UNIT : mm



Product	Dimension (mm)	Color		I _v			V _F			IF (mA)	Viewing Angle(°)
		Color	Wavelength nm / CIE	I _v (mcd) min.	I _v (mcd) typ.	I _v (mcd) max.	V _F (V) min.	V _F (V) typ.	V _F (V) max.		
339-9SUGSURSUBW/S1182/MS	5	● Brilliant Red	620~628	1800	-	4500	1.6	2.0	2.4	20	65
	5	● Brilliant Green	525~535	1800	-	4500	2.8	3.2	3.6	20	65
	5	● Blue	465~475	1800	-	4500	2.8	3.2	3.6	20	65



UNIT : mm

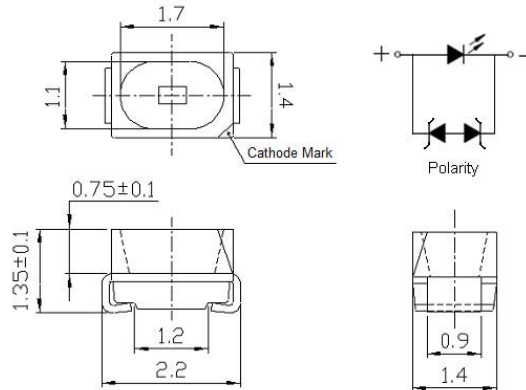


Product	Dimension (mm)	Color		I _v			V _F			IF (mA)	Viewing Angle(°)
		Color	Wavelength nm / CIE	I _v (mcd) min.	I _v (mcd) typ.	I _v (mcd) max.	V _F (V) min.	V _F (V) typ.	V _F (V) max.		
7383/R7C3-ARUB/MS	5.8 x 5 x 8.65	● Red	619~628	4500	7150	11250	1.8	2.0	2.6	20	30
7383/Y7C3-ARUB/MS	5.8 x 5 x 8.65	● Yellow	586~594	4500	7150	11250	1.8	2.0	2.6	20	30
7383/G1C3-ATVA/MS	5.8 x 5 x 8.65	● Green	525~535	7150	9000	14250	2.8	-	3.6	20	30
7383/BAC3-ANQA/MS	5.8 x 5 x 8.65	● Blue	465~475	2250	2850	4500	2.8	-	3.6	20	30
7383/V7C3-ARTA/MS	5.8 x 5 x 8.65	● Bluish Green	498~513	4500	6300	9000	2.8	-	3.6	20	30
7343/R5C2-ASUB/MS	5.8 x 5 x 8.65	● Red	620~628	5650	7150	11250	1.8	2	2.6	20	23
7343/Y5C2-ASVB/MS	5.8 x 5 x 8.65	● Yellow	586~594	5650	9000	14250	1.8	2.2	2.6	20	23
7344/V7C2-ASVA/MS	5.8 x 5 x 8.65	● Bluish Green	498~513	5650	-	14250	2.8	3.2	3.6	20	23
7343/B1C2-APSA/MS	5.8 x 5 x 8.65	● Green	465~475	5650	-	14250	2.8	3.2	3.6	20	23

Automotive LED | Under 0.5W



UNIT : mm

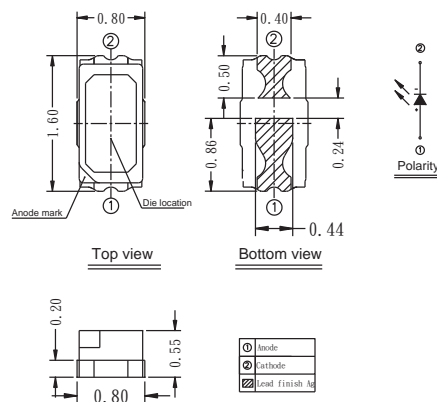


EL Mini Top View

Product	Chip quantity	Dimension (mm)	Color	Chromaticity Coordinate Typ(x,y)	Wavelength (nm)	Brightness (mcd)	Forward Voltage (V)	Driving current (mA)
65-11-C70200H-AM	1	2.2x1.4x1.35	○ White	0.3,0.3	-	1400	3.1	20
65-11-IB0100L-AM	1	2.2x1.4x1.35	○ Ice Blue	0.18,0.23	-	140	3.1	10
65-11-SB0100L-AM	1	2.2x1.4x1.35	● Sky Blue	0.16,0.08	-	112	3.1	10
65-11-UB0200L-AM	1	2.2x1.4x1.35	● Blue	-	468	224	3.1	20
65-11-UG0200H-AM	1	2.2x1.4x1.35	● Green	-	523	900	3.1	20
65-21-UR0200H-AM	1	2.2x1.4x1.35	● Red	-	622	710	2	20
65-21-UY0200H-AM	1	2.2x1.4x1.35	● Yellow	-	592	710	2	20



UNIT : mm



EL 1608

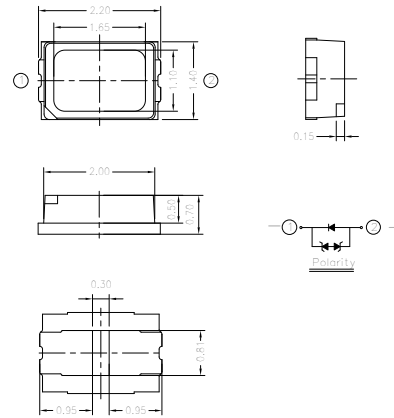
Product	Chip quantity	Dimension (mm)	Color	Chromaticity Coordinate Typ(x,y)	Wavelength (nm)	Brightness (mcd)	Forward Voltage (V)	Driving current (mA)
1608-C70100H-AM	1	1.6x0.8x0.55	○ White	0.34, 0.33	-	610	2.9	10
1608-C70100M-AM	1	1.6x0.8x0.55	○ White	0.34, 0.33	-	390	2.9	10
1608-UY0100M-AM	1	1.6x0.8x0.55	● Yellow	-	591	130	2	10
1608-UR0100M-AM	1	1.6x0.8x0.55	● Red	-	615	240	2	10
1608-UB0100M-AM	1	1.6x0.8x0.55	● Blue	-	462	112	2.9	10
1608-UG0100M-AM	1	1.6x0.8x0.55	● Green	-	525	520	2.9	10
1608-IB0100M-AM	1	1.6x0.8x0.55	○ Ice Blue	0.2, 0.3	-	330	2.9	10

Automotive LED

Automotive LED | Under 0.5W



UNIT : mm

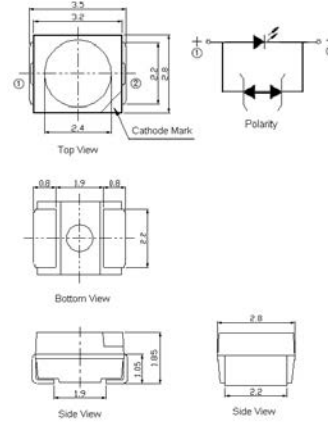


EL 2214

Product	Chip quantity	Dimension (mm)	Color	Chromaticity Coordinate Typ(x,y)	Wavelength (nm)	Brightness (mcd)	Forward Voltage (V)	Driving current (mA)
2214-C70201H-AM	1	2.2x1.4x0.7	○ White	0.3, 0.32	-	1000	2.9	20
2214-C70301H-AM	1	2.2x1.4x0.7	○ White	0.3, 0.32	-	2400	2.9	30



UNIT : mm



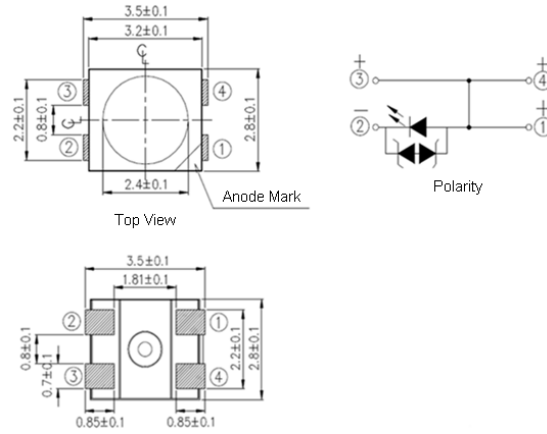
EL Top View

Product	Chip quantity	Dimension (mm)	Color	Chromaticity Coordinate Typ(x,y)	Wavelength (nm)	Brightness (mcd)	Forward Voltage (V)	Driving current (mA)
67-11-C70200H-AM	1	3.5x2.8x1.85	○ White	0.3, 0.3	-	1400	3.1	20
67-11-C70100H-AM	1	3.5x2.8x1.85	○ White	0.3, 0.3	-	700	3.1	10
67-11-IB0100L-AM	1	3.5x2.8x1.85	● Ice Blue	0.18,0.23	-	224	3.1	10
67-11-SB0100L-AM	1	3.5x2.8x1.85	● Sky Blue	0.16,0.08	-	112	3.1	10
67-11-UB0200H-AM	1	3.5x2.8x1.85	● Blue	-	468	224	3.1	20
67-11-UG0200H-AM	1	3.5x2.8x1.85	● Green	-	523	1120	3.1	20
67-21-UR0200H-AM	1	3.5x2.8x1.85	● Red	-	623	710	2	20
67-21-UY0200H-AM	1	3.5x2.8x1.85	● Yellow	-	590	710	2	20

Automotive LED | Under 0.5W



UNIT : mm

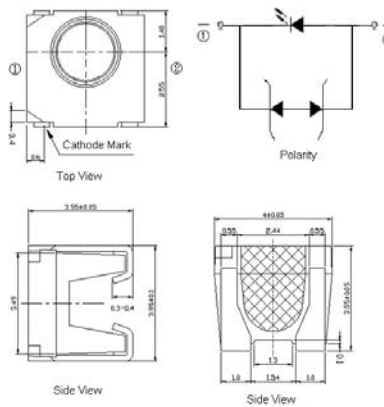


EL Power Top View

Product	Chip quantity	Dimension (mm)	Color	Chromaticity Coordinate Typ(x,y)	Wavelength (nm)	Brightness (mcd)	Forward Voltage (V)	Driving current (mA)
67-41-PA0601H-AM	1	3.5x2.8x1.85	● PC-Amber	0.57,0.42	-	2240	3.1	60
67-41-C70301H-AM	1	3.5x2.8x1.85	○ White	0.33,0.34	-	3350	3.1	30
67-41-UR0501H-AM	1	3.5x2.8x1.85	● Red	-	615	2800	2.2	50
67-41-UY0501H-AM	1	3.5x2.8x1.85	● Yellow	-	590	2240	2.2	50
67-41-SR0501H-AM	1	3.5x2.8x1.85	● Super Red	-	630	1800	2.2	50



UNIT : mm

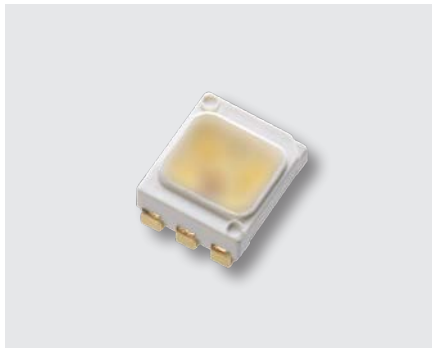


EL Side View

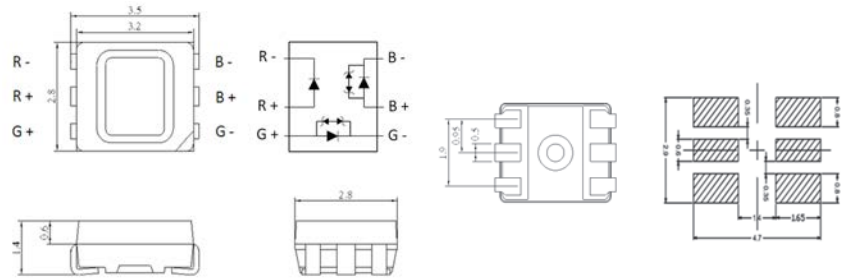
Product	Chip quantity	Dimension (mm)	Color	Chromaticity Coordinate Typ(x,y)	Wavelength (nm)	Brightness (mcd)	Forward Voltage (V)	Driving current (mA)
57-11-C70200H-AM	1	4.0x4.0x3.6	○ White	0.3,0.3	-	1120	3	20
57-11-IB0100L-AM	1	4.0x4.0x3.6	○ Ice Blue	0.19,0.25	-	140	2.9	10
57-11-SB0100L-AM	1	4.0x4.0x3.6	● Sky Blue	0.16,0.08	-	140	3	10
57-11-UB0200H-AM	1	4.0x4.0x3.6	● Blue	-	468	224	3.1	20
57-21-UR0200H-AM	1	4.0x4.0x3.6	● Red	-	622	710	2	20
57-21-UY0200H--AM	1	4.0x4.0x3.6	● Yellow	-	590	710	2	20

Automotive LED

Automotive LED | Under 0.5W



UNIT : mm

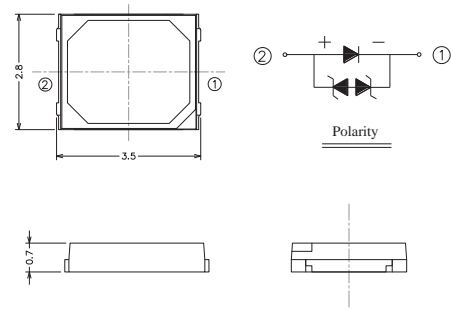


EL Top View RGB

Product	Chip quantity	Dimension (mm)	Color	Wavelength (nm)	Brightness (mcd)	Forward Voltage (V)	Driving current (mA)
67-63-RGB0201H-AM	3	3.5x2.8x1.4	● Red	627	500	1.95	20
			● Green	525	1120	3.1	20
			● Blue	457	180	3.0	20



UNIT : mm

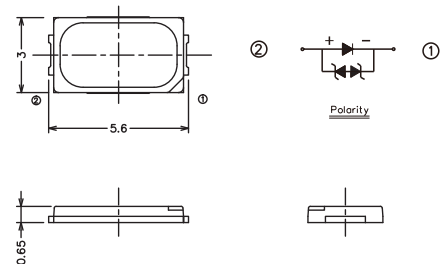


EL 2835

Product	Chip quantity	Dimension (mm)	Color	Chromaticity Coordinate Typ(x,y)	Brightness (lm)	Forward Voltage (V)	Driving current (mA)
67-11S-G81000H-AM	1	2.8x3.5x0.7	○ White	0.33,0.34	35	2.8	100



UNIT : mm



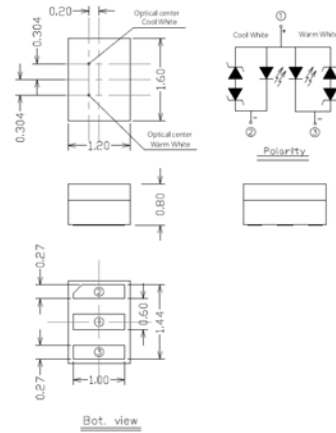
EL 5630

Product	Chip quantity	Dimension (mm)	Color	Chromaticity Coordinate Typ(x,y)	Brightness (lm)	Forward Voltage (V)	Driving current (mA)
62-117D-G80650H-AM	1	5.6x3.0x0.65	○ White	0.33,0.34	24	3.0	65

Automotive LED | Under 0.5W



UNIT : mm

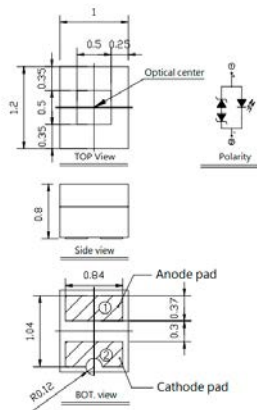


EL Micro Multi

Product	Chip quantity	Dimension (mm)	Color	Chromaticity Coordinate Typ(x,y)	Brightness (lm)	Forward Voltage (V)	Driving current (mA)
CH1216-C8W80801H-AM	2	1.6x1.2x0.8	○ Cool White	0.322,0.336	23	3.0	80
			● Warm White	0.466,0.422	20	3.0	80



UNIT : mm



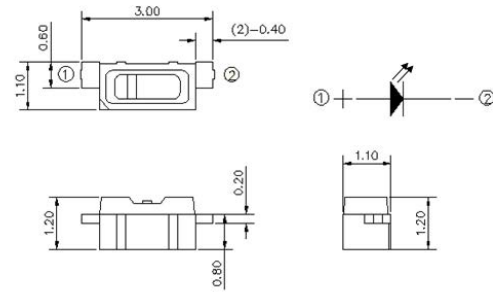
EL 1210

Product	Chip quantity	Dimension (mm)	Color	Chromaticity Coordinate Typ(x,y)	Brightness (lm)	Forward Voltage (V)	Driving current (mA)
CH1210E-C80401H-AM	1	1.2x1.0x0.8	○ Cool White	0.332,0.332	11	2.8	40
CH1210E-N80401H-AM	1		○ Neutral white	0.38,0.375	11	2.8	40
CH1210E-PA0801H-AM	1		● PC-Amber	0.57, 0.42	6	2.9	80
CH1210E-PR0801H-AM	1		● PC Red	0.66, 0.335	13	2.9	80

Automotive LED | Under 0.5W



UNIT : mm



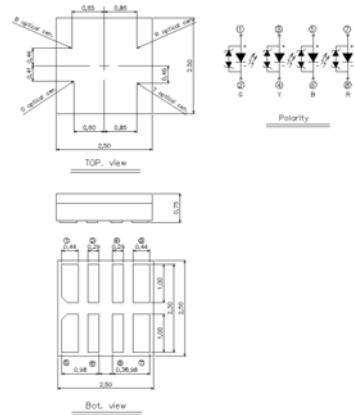
EL Micro Side View

Product	Chip quantity	Dimension (mm)	Color	Chromaticity Coordinate Typ(x,y)	Wavelength (nm)	Brightness (mcd)	Forward Voltage (V)	Driving current (mA)
3011-C70201H-AM	1	3.0x1.1x1.2	○ White	0.3,0.28	-	710	3	20
3011-PYG0201H-AM	1	3.0x1.1x1.2	● Yellow Green	0.44,0.28	-	710	3	20
3011-UB0201H-AM	1	3.0x1.1x1.2	● Blue	-	457	180	3	20
3011-UG0201H-AM	1	3.0x1.1x1.2	● Green	-	523	710	3	20
3011-UR0201H-AM	1	3.0x1.1x1.2	● Red	-	622	560	1.9	20
3011-UY0201H-AM	1	3.0x1.1x1.2	● Yellow	-	589	560	1.9	20
3011-SR0201H-AM	1	3.0x1.1x1.2	● Super Red	-	629	450	1.9	20

Automotive LED | 0.5W-1W



UNIT : mm

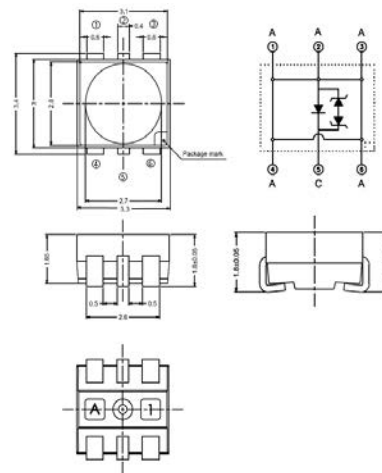


EL Multi Color

Product	Chip quantity	Dimension (mm)	Color	Wavelength (nm)	Brightness (mcd)	Forward Voltage (V)	Driving current (mA)
CH2525-RGBY0401H-AM	4	2.5x2.5x0.75	● Red	623	900	2.0	40
			● Green	527	2240	2.8	40
			● Blue	460	355	3.0	40
			● Yellow	590	900	2.4	40



UNIT : mm



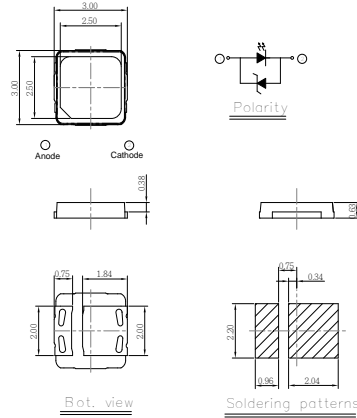
EL Advanced Power Top View

Product	Chip quantity	Dimension (mm)	Color	Chromaticity Coordinate Typ(x,y)	Wavelength (nm)	Brightness (mcd)	Forward Voltage (V)	Driving current (mA)
A09K-C71501H-AM	1	3.4x3.4x1.8	○ White	0.33,0.34	-	9000	3.1	150
A09K-PA1501H-AM	1	3.4x3.4x1.8	● PC-Amber	0.57,0.42	-	5600	3.1	150
A09K-UR1501H-AM	1	3.4x3.4x1.8	● Red	-	613	7100	2.2	150
A09K-SR1501H-AM	1	3.4x3.4x1.8	● Super Red	-	629	4500	2.2	150
A09K-UY1501H-AM	1	3.4x3.4x1.8	● Yellow	-	589	5600	2.2	150

Automotive LED | 0.5W-1W



UNIT : mm



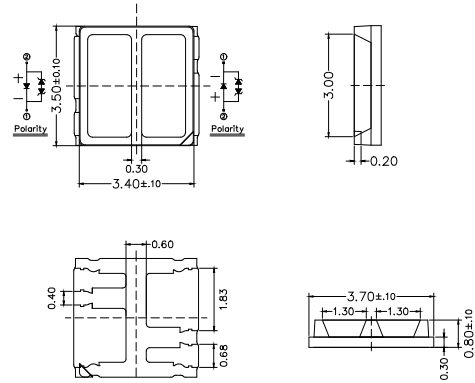
Suggested post dimension is just reference only. Please modify the post dimension based on individual need.

EL 3030E

Product	Chip quantity	Dimension (mm)	Color	Chromaticity Coordinate Typ(x,y)	Wavelength (nm)	Brightness (lm)	Forward Voltage (V)	Driving current (mA)
XI3030-C03501H-AM	1	3.0x3.0x0.63	○ White	0.325,0.334	-	120	3.1	350
XI3030-PA3501H-AM	1	3.0x3.0x0.63	● PC-Amber	0.57, 0.42	-	65	3.1	350
XI3030-C01501M-AM	1	3.0x3.0x0.63	○ White	0.332,0.332	-	45	2.9	150
XI3030-PA1501M-AM	1	3.0x3.0x0.63	● PC-Amber	0.57, 0.42	-	27	2.9	150
XI3030-UR1501M-AM	1	3.0x3.0x0.63	● Red	-	615	22	2.2	150
XI3030-UR3501H-AM	1	3.0x3.0x0.63	● Red	-	610	39	2.2	350
XI3030-SR3501H-AM	1	3.0x3.0x0.63	● Super Red	-	630	23	2.2	350



UNIT : mm



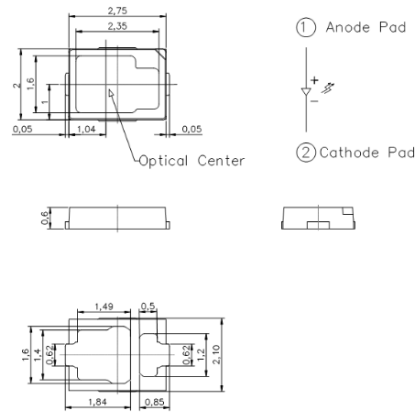
EL 3735

Product	Chip quantity	Dimension (mm)	Color	Chromaticity Coordinate Typ(x,y)	Brightness (lm)	Forward Voltage (V)	Driving current (mA)
3735-C8PA1510H-AM	2	3.7x3.5x0.8	○ White	0.325, 0.325	47	3.1	150
			● PC-Amber	0.57, 0.42	27	3.1	150
3735-C8PA2501H-AM	2	3.7x3.5x0.8	○ White	0.325, 0.325	72	3.0	250
			● PC-Amber	0.57, 0.42	40	3.0	250
3735-SRPA1501H-AM	2	3.7x3.5x0.8	● Super Red	630nm	17	2.2	150
			● PC-Amber	0.57, 0.42	27	2.9	150

Automotive LED | 0.5W-1W



UNIT : mm

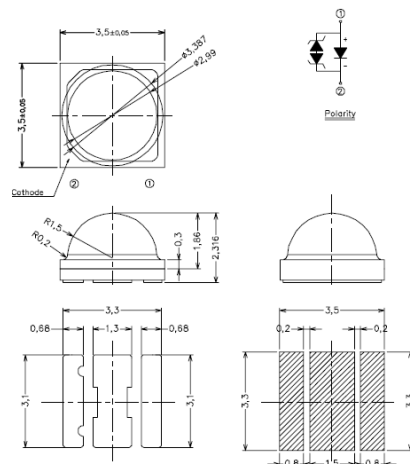


EL 2820

Product	Chip quantity	Dimension (mm)	Color	Wavelength (nm)	Brightness (lm)	Forward Voltage (V)	Driving current (mA)
2820-UY2001M-AM	1	2.8x2.0x0.6	● Yellow	590	33	2.3	200
2820-UR2001M-AM	1	2.8x2.0x0.6	● Red	618	33	2.3	200
2820-SR2001M-AM	1	2.8x2.0x0.6	● Super Red	630	20	2.3	200
2820-UY3501H-AM	1	2.8x2.0x0.6	● Yellow	590	52	2.5	350
2820-UR3501H-AM	1	2.8x2.0x0.6	● Red	618	52	2.5	350
2820-SR3501H-AM	1	2.8x2.0x0.6	● Super Red	630	33	2.5	350



UNIT : mm



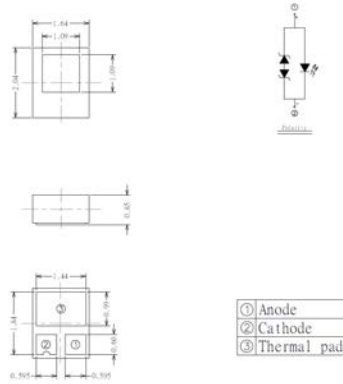
EL 3535E

Product	Chip quantity	Dimension (mm)	Color	Wavelength (nm)	Brightness	Forward Voltage (V)	Driving current (mA)
CH3535E-UR3501L-AM	1	3.5x3.5x2.3	● Red	619	60 lm	2.2	350
CH3535E-SR3501L-AM	1	3.5x3.5x2.3	● Super Red	630	45 lm	2.2	350

Automotive LED | Above 1W



UNIT : mm

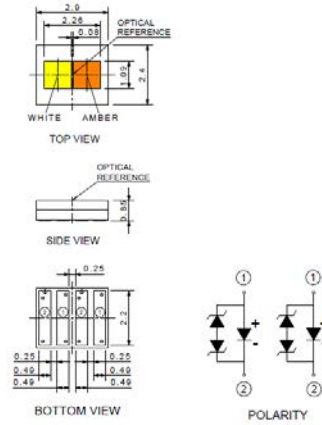


ALFS B series

Product	Chip quantity	Dimension (mm)	Color	Chromaticity Coordinate Typ(x,y)	Brightness (lm)	Forward Voltage (V)	Driving current (mA)
ALFS1BD-C010001L1-AM	1	2.0x1.6x0.85	○ White	0.332,0.332	320 lm	3.5	1000



UNIT : mm

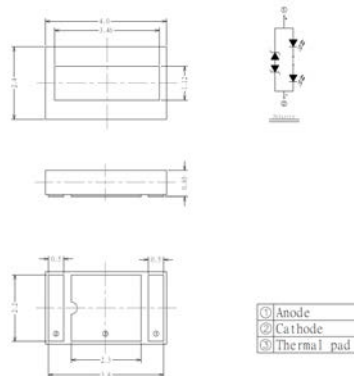


ALFS B series

Product	Chip quantity	Dimension (mm)	Color	Chromaticity Coordinate Typ(x,y)	Brightness (lm)	Forward Voltage (V)	Driving current (mA)
ALFS2BD-C0PA07001L1-AM	2	2.9x2.4x0.85	○ White ● PC-Amber	0.33, 0.33 0.57, 0.42	220 120	3.3	700
ALFS2BD-C010001H-AM	2	2.9x2.4x0.85	○ White	0.332,0.332	650	6.5	1000



UNIT : mm



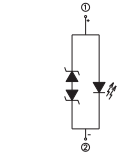
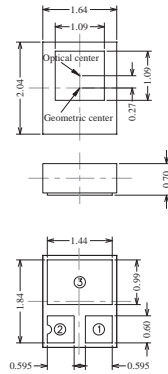
ALFS B series

Product	Chip quantity	Dimension (mm)	Color	Chromaticity Coordinate Typ(x,y)	Brightness (lm)	Forward Voltage (V)	Driving current (mA)
ALFS3BD-C010001H-AM	3	4.0x2.4x0.85	○ White	0.332,0.332	980	9.8	1000

Automotive LED | Above 1W



UNIT : mm



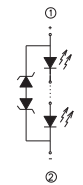
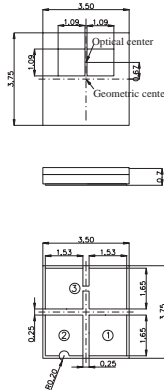
①	Anode
②	Cathode
③	Thermal pad

ALFS G series

Product	Chip quantity	Dimension (mm)	Color	Chromaticity Coordinate Typ(x,y)	Brightness (lm)	Forward Voltage (V)	Driving current (mA)
ALFS1G-C010001H-AM	1	2.0x1.6x0.7	○ White	0.332,0.332	360	3.3	1000
ALFS1G-PA10001H-AM	1	2.0x1.6x0.7	● PC-Amber	0.57, 0.42	180	3.3	1000



UNIT : mm



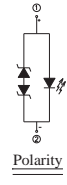
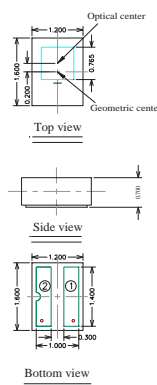
①	Anode
②	Cathode
③	Thermal Pad

ALFS G series

Product	Chip quantity	Dimension (mm)	Color	Chromaticity Coordinate Typ(x,y)	Brightness (lm)	Forward Voltage (V)	Driving current (mA)
ALFS2G-C010001H-AM	2	3.7x3.5x0.7	○ White	0.332,0.332	700	6.7	1000



UNIT : mm



①	Anode
②	Cathode

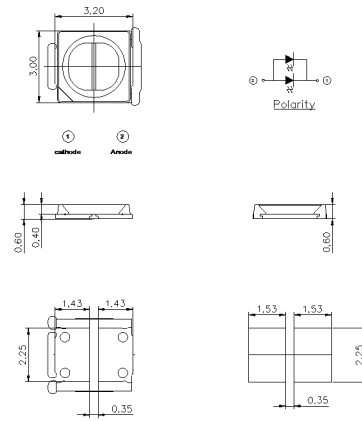
ALFS E series

Product	Chip quantity	Dimension (mm)	Color	Chromaticity Coordinate Typ(x,y)	Brightness (lm)	Forward Voltage (V)	Driving current (mA)
ALFS1E-C07001H-AM	1	1.6*1.2*0.7	○ White	0.332,0.332	200	3.3	700
ALFS1E-PA7001H-AM	1	1.6*1.2*0.7	● PC-Amber	0.57, 0.42	120	3.3	700

Backlighting LED | Direct type Product



UNIT : mm

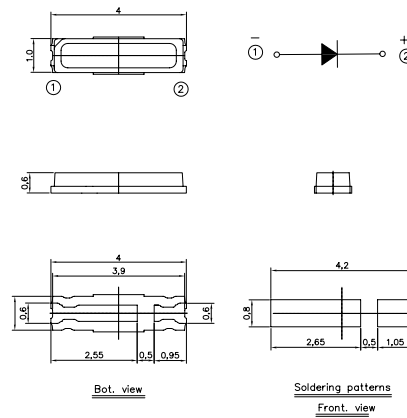


Product	Dimension (mm)	Color	Power(W)	CIE(x,y)	Iv(lm,mW)	VF(V)	Viewing Angle(°)
BL-3030GN2E	3.0x3.0x0.6	○White	1.8	X=0.2735, Y=0.2293	175-195	3.0-3.6	120

Backlighting LED | Edge Type Product



UNIT : mm



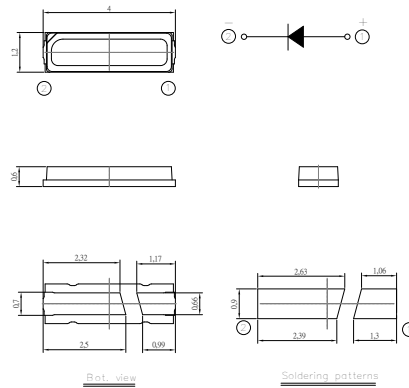
4010

Product	Dimension (mm)	Color	Power(W)	CIE(x,y)	Iv(lm,mW)	VF(V)	Viewing Angle(°)
BL-4010NN1T	4.0x1.0x0.6	○White	0.2	X=0.28, Y=0.26	18-28	2.7-3.4	120

Backlighting LED | Edge Type Product



UNIT : mm

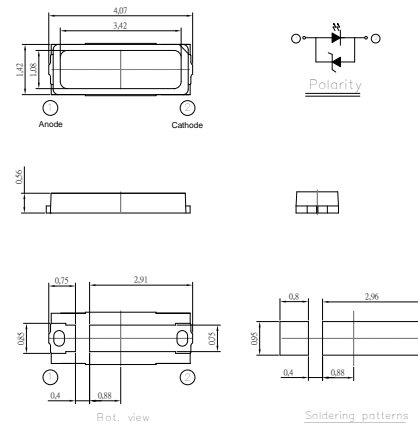


4012

Product	Dimension (mm)	Color	Power(W)	CIE(x,y)	Iv(lm,mW)	VF(V)	Viewing Angle(°)
BL-4012NN1T	4.0x1.2x0.6	○ White	0.4	X=0.28, Y=0.26	36-46	2.7-3.4	120



UNIT : mm



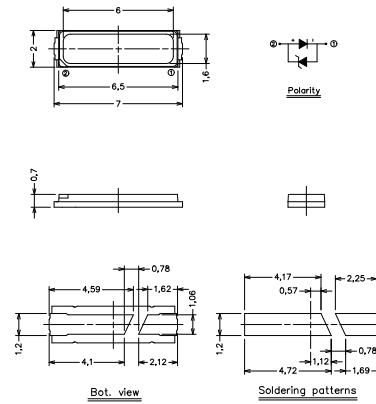
4014

Product	Dimension (mm)	Color	Power(W)	CIE(x,y)	Iv(lm,mW)	VF(V)	Viewing Angle(°)
BL-4014CZ1T	4.0x1.4x0.65	○ White	0.4	X=0.28, Y=0.26	38-48	2.7-3.4	120

Backlighting LED | Edge Type Product



UNIT : mm

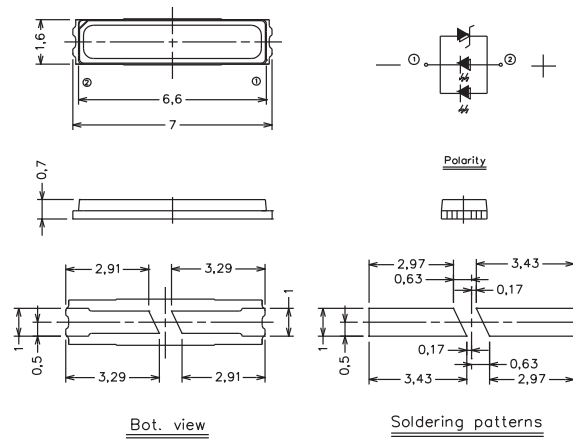


7020

Product	Dimension (mm)	Color	Power(W)	CIE(x,y)	Iv(lm,mW)	VF(V)	Viewing Angle(°)
BL-7020NZ1T	7.0x2.0x0.7	○White	0.4	X=0.29, Y=0.29	47-51	2.7-3.4	120



UNIT : mm



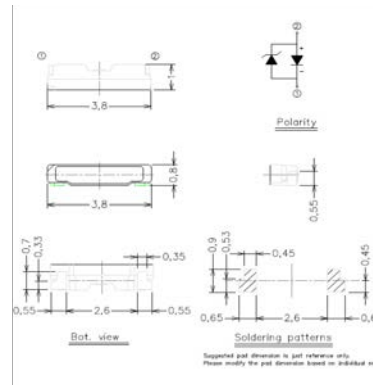
7016

Product	Dimension (mm)	Color	Power(W)	CIE(x,y)	Iv(lm,mW)	VF(V)	Viewing Angle(°)
BL-7016NZ2T	7.0x1.6x0.7	○White	0.8	X=0.28, Y=0.26	86-96	2.7-3.4	120

Backlighting LED | Side View Product



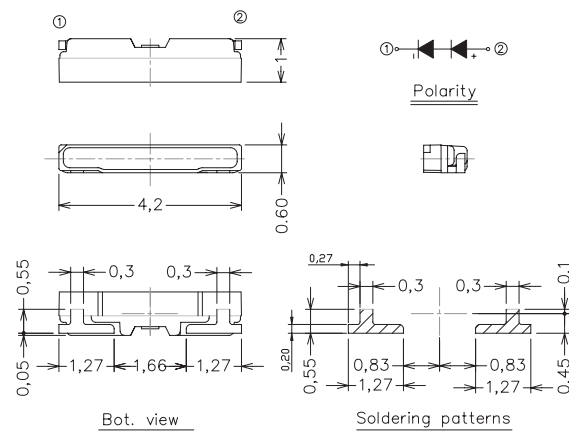
UNIT : mm



Product	Dimension (mm)	Color	Power(W)	CIE(x,y)	Iv(lm,mW)	VF(V)	Viewing Angle(°)
BL-3808Z1P	3.8x1.0x0.8	○White	0.06	X=0.295, Y=0.28	6.00-8.00	2.7-3.4	120



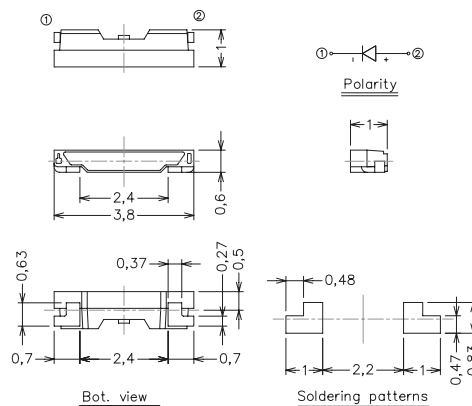
UNIT : mm



Product	Dimension (mm)	Color	Power(W)	CIE(x,y)	Iv(lm,mW)	VF(V)	Viewing Angle(°)
BL-4206SN2P	4.2x1.0x0.6	○White	0.12	X=0.295, Y=0.28	14-17	5.4-6.8	120



UNIT : mm



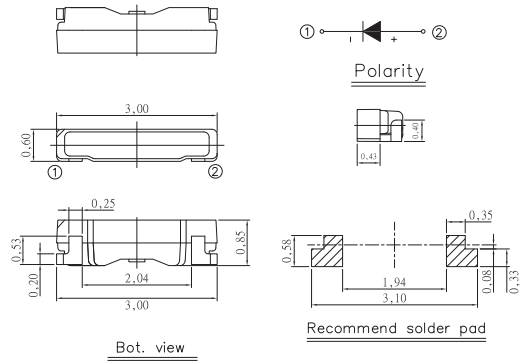
Product	Dimension (mm)	Color	Power(W)	CIE(x,y)	Iv(lm,mW)	VF(V)	Viewing Angle(°)
BL-3806NN1P	3.8x1.0x0.6	○White	0.06	X=0.295, Y=0.28	6.0 0-8.00	2.7-3.4	120

Backlighting LED

Backlighting LED | Side View Product



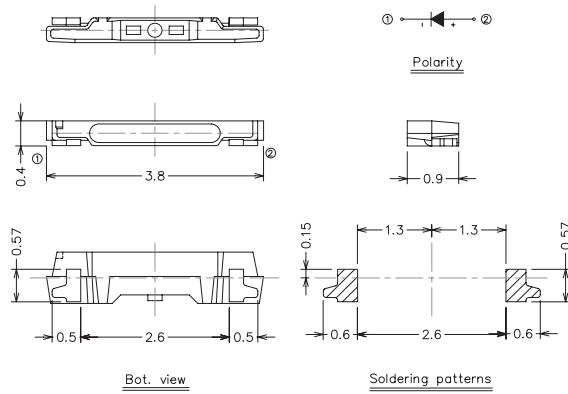
UNIT : mm



Product	Dimension (mm)	Color	Power(W)	CIE(x,y)	lv(lm,mW)	VF(V)	Viewing Angle(°)
BL-3006NN1P	3.0x0.85x0.6	○White	0.06	X=0.295, Y=0.28	6.75-9.00	2.7-3.4	120



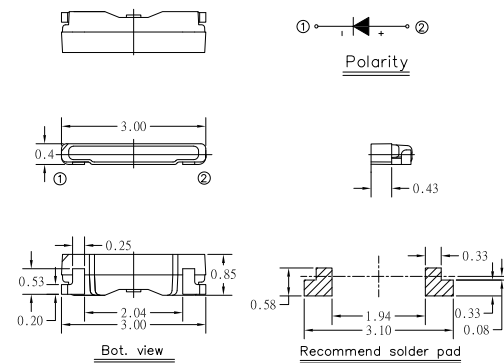
UNIT : mm



Product	Dimension (mm)	Color	Power(W)	CIE(x,y)	lv(lm,mW)	VF(V)	Viewing Angle(°)
BL-3804GN1P	3.8x0.9x0.4	○White	0.06	X=0.295, Y=0.28	6.25-9.00	2.7-3.4	120



UNIT : mm

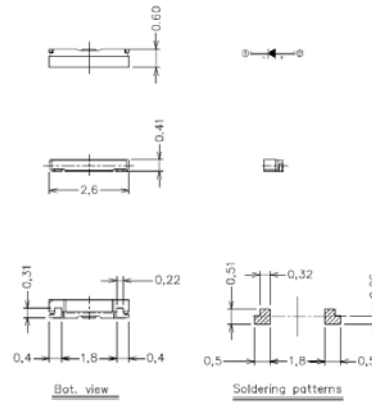


Product	Dimension (mm)	Color	Power(W)	CIE(x,y)	lv(lm,mW)	VF(V)	Viewing Angle(°)
BL-3004TN1P	3.0x0.85x0.4	○White	0.06	X=0.295, Y=0.28	6.25-8.50	2.7-3.4	115

Backlighting LED | Side View Product



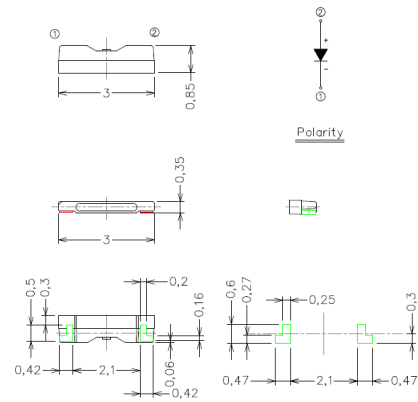
UNIT : mm



Product	Dimension (mm)	Color	Power(W)	CIE(x,y)	lv(lm,mW)	VF(V)	Viewing Angle(°)
BL-2604DN1P	2.6x0.7x0.4	○White	0.06	X=0.295, Y=0.28	5.50-8.25	2.7-3.4	115



UNIT : mm

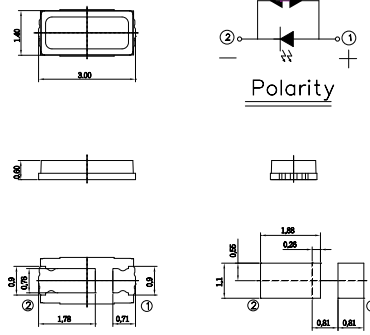


Product	Dimension (mm)	Color	Power(W)	CIE(x,y)	lv(lm,mW)	VF(V)	Viewing Angle(°)
BL-3003LM2C	3.0x0.85x0.3	○White	0.06	X=0.295, Y=0.28	5.25-7.75	2.7-3.4	115

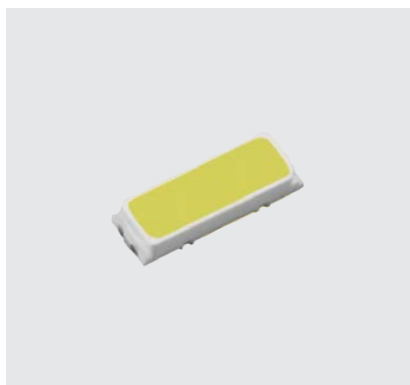
Backlighting LED | Automotive Product



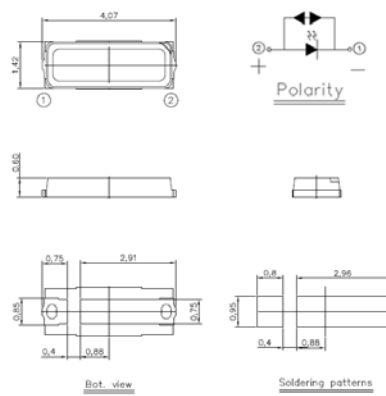
UNIT : mm



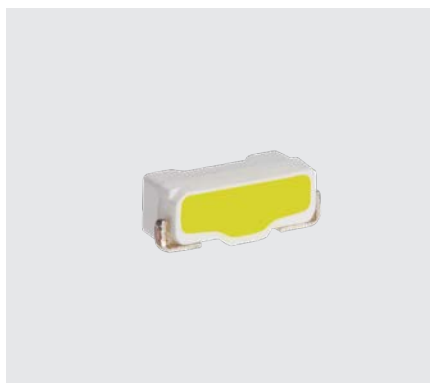
Product	Dimension (mm)	Color	Power(W)	CIE(x,y)	lv(lm,mW)	VF(V)	Viewing Angle(°)
BLA-3014PZ1U	3.0x1.4x0.6	○White	0.25	X=0.277, Y=0.247	22-40	2.7-3.4	120



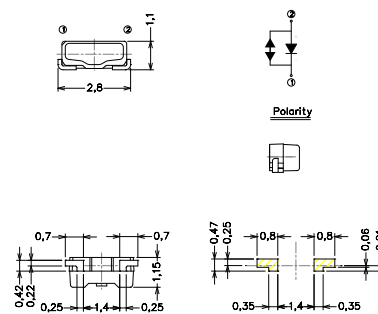
UNIT : mm



Product	Dimension (mm)	Color	Power(W)	CIE(x,y)	lv(lm,mW)	VF(V)	Viewing Angle(°)
BLA-4014PZ1E	4.0x1.4x0.6	○White	0.4	X=0.277, Y=0.247	22-56	2.7-3.4	120



UNIT : mm

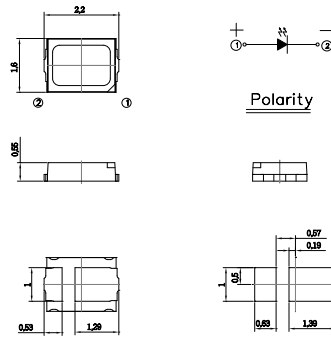


Product	Dimension (mm)	Color	Power(W)	CIE(x,y)	lv(lm,mW)	VF(V)	Viewing Angle(°)
BLA-2810NZ1T	2.8x1.15x1.1	○White	0.25	X=0.277, Y=0.247	20-38	2.7-3.4	120

Backlighting LED | Local Dimming Product



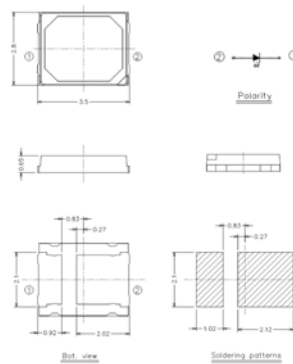
UNIT : mm



Product	Dimension (mm)	Color	Power(W)	CIE(x,y)	lv(lm,mW)	VF(V)	Viewing Angle(°)
BL-2016NN1T	2.0x1.6x0.55	● Blue	0.03	447.5~457.5	8-20mW	2.5-3	120



UNIT : mm



Product	Dimension (mm)	Color	Power(W)	CIE(x,y)	lv(lm,mW)	VF(V)	Viewing Angle(°)
BL-2835SN1T	3.5x2.8x0.7	● Blue	0.03	447.5~457.5	20-38(mW)	2.5-3	120

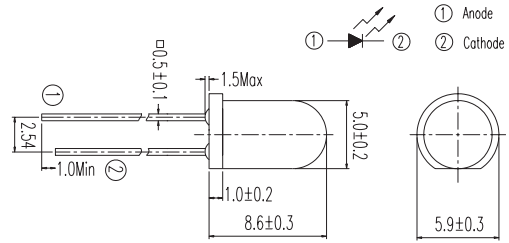
INFRARED LED, SENSORS, COUPLERS

- 182** INFRARED LED AND SILICON DETECTOR
- 209** INFRARED RECEIVER MODULE
- 214** OPTIC-FIBER DEVICE (PHOTO LINK)
- 216** Optical Switch
- 220** OPTICAL SENSOR
- 227** PHOTO COUPLER

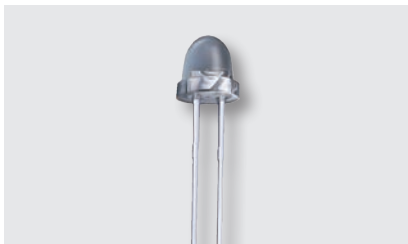
Infrared LED and Silicon Detector | Emitter | Lamp



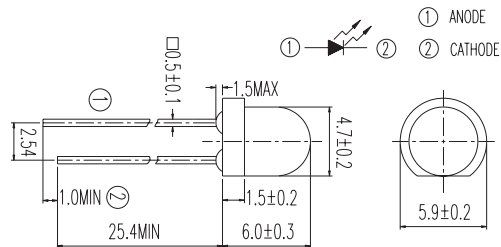
UNIT : mm



Product	Dimension (mm)	View Angle(°)	V _{F_Typ} (V)	V _{F_Max} (V)	λ _p (nm)	I _{e_Min} (mW/sr)	I _{e_Typ} (mW/sr)
HIR333/H0	5	30	1.45	1.65	850	7.8	15
HIR333C/H0	5	30	1.45	1.65	850	7.8	15
IR333-A	5	20	1.2	1.5	940	7.8	20
IR333/H0	5	40	1.2	1.5	940	5.6	7.8
IR333/H0/L10	5	40	1.2	1.5	940	11	12
IR333C	5	20	1.2	1.5	940	7.8	15
IR333C/H0/L10	5	40	1.2	1.5	940	5.6	7.8
IR333C/H2	5	30	1.2	1.5	940	7.8	15
SIR333-A	5	20	1.3	1.6	875	7.8	20



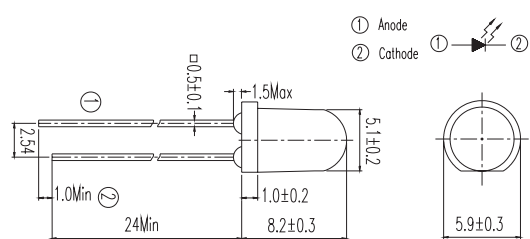
UNIT : mm



Product	Dimension (mm)	View Angle(°)	V _{F_Typ} (V)	V _{F_Max} (V)	λ _p (nm)	I _{e_Min} (mW/sr)	I _{e_Typ} (mW/sr)
HIR323C	5	25	1.45	1.65	850	15	30
HIR323C/H0	5	30	1.45	1.65	850	7.8	11
IR323	5	30	1.2	1.5	940	4	6.4
IR323/H0-A	5	60	1.2	1.5	940	2	3.5
SIR323-5	5	35	1.3	1.6	875	4	7.8



UNIT : mm

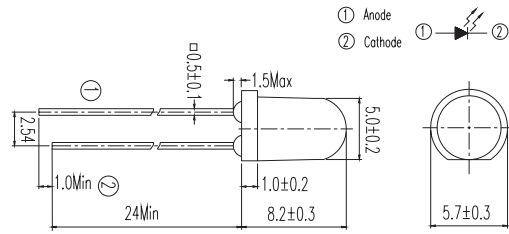


Product	Dimension (mm)	View Angle(°)	V _{F_Typ} (V)	V _{F_Max} (V)	λ _p (nm)	I _{e_Min} (mW/sr)	I _{e_Typ} (mW/sr)
HIR7373C	5	40	1.45	1.65	850	7.8	15
IR7373C	5	50	1.2	1.5	940	5.6	8

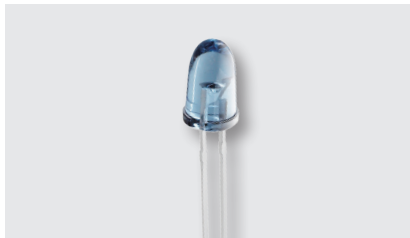
Infrared LED and Silicon Detector | Emitter | Lamp



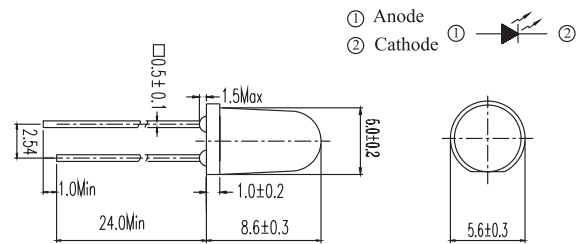
UNIT : mm



Product	Dimension (mm)	View Angle(°)	V _{F_Typ} (V)	V _{F_Max} (V)	λ _p (nm)	I _{e_Min} (mW/sr)	I _{e_Typ} (mW/sr)
HIR7393C	5	50	1.45	1.65	850	7.8	15
IR7393C	5	60	1.2	1.5	940	4	6.5



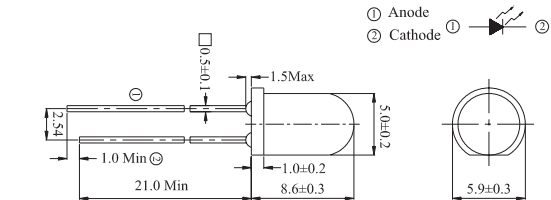
UNIT : mm



Product	Dimension (mm)	View Angle(°)	V _{F_Typ} (V)	V _{F_Max} (V)	λ _p (nm)	I _{e_Min} (mW/sr)	I _{e_Typ} (mW/sr)
IR383	5	20	1.2	1.5	940	7.8	20
SIR383C	5	20	1.3	1.6	875	11	20



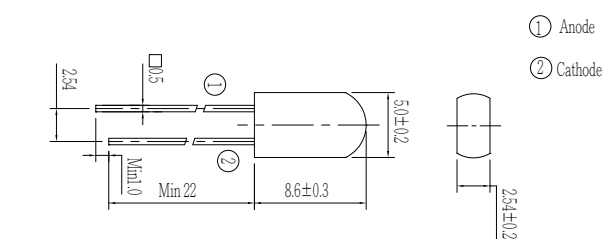
UNIT : mm



Product	Dimension (mm)	View Angle(°)	V _{F_Typ} (V)	V _{F_Max} (V)	λ _p (nm)	I _{e_Min} (mW/sr)	I _{e_Typ} (mW/sr)
IR8353-14C	5	35	1.2	1.3	940	7.8	11



UNIT : mm

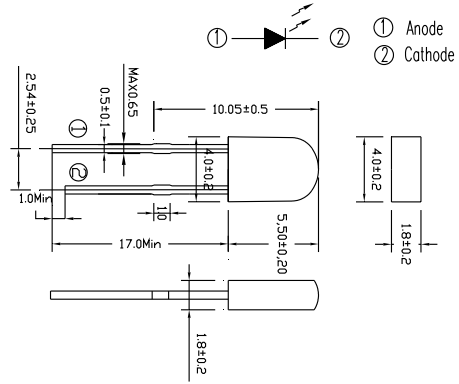


Product	Dimension (mm)	View Angle(°)	V _{F_Typ} (V)	V _{F_Max} (V)	λ _p (nm)	I _{e_Min} (mW/sr)	I _{e_Typ} (mW/sr)
IR533C	5	940	1.2	1.5	4	7.8	25

Infrared LED and Silicon Detector | Emitter | Lamp



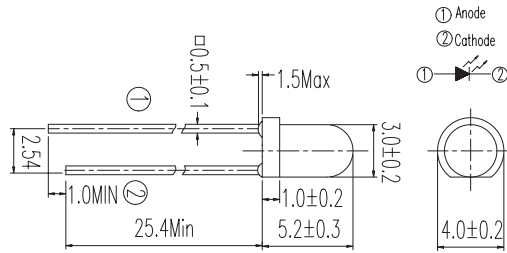
UNIT : mm



Product	Dimension (mm)	View Angle(°)	V _{F_Typ} (V)	V _{F_Max} (V)	λ _p (nm)	I _{e_Min} (mW/sr)	I _{e_Typ} (mW/sr)
IR3494-30C/H80/L419	4	95(X)45(Y)	1.2	1.5	940	2.5	3.5



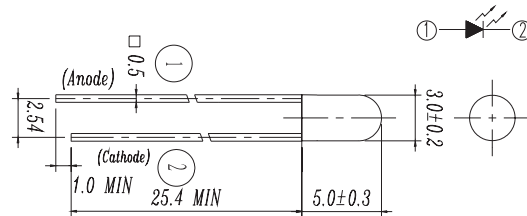
UNIT : mm



Product	Dimension (mm)	View Angle(°)	V _{F_Typ} (V)	V _{F_Max} (V)	λ _p (nm)	I _{e_Min} (mW/sr)	I _{e_Typ} (mW/sr)
HIR204C	3	25	1.45	1.65	850	7.8	17.6
HIR204C/H0	3	40	1.45	1.65	850	4	8.9
IR204-A	3	35	1.2	1.5	940	4	5.6
IR204/H16/L10	3	50	1.2	1.5	940	2.8	4
IR204/H60	3	50	1.2	1.5	940	4	7
IR204C-A	3	35	1.2	1.5	940	4	5.6
IR204C/H16/L10	3	50	1.2	1.5	940	2.8	4
SIR204-A	3	30	1.3	1.6	875	4	6.4
SIR204C	3	30	1.3	1.6	875	4	6.4



UNIT : mm

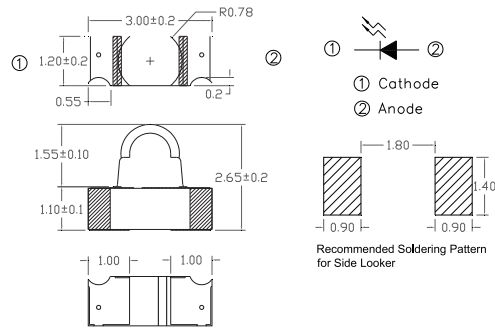


Product	Dimension (mm)	View Angle(°)	V _{F_Typ} (V)	V _{F_Max} (V)	λ _p (nm)	I _{e_Min} (mW/sr)	I _{e_Typ} (mW/sr)
SIR234	3	30	1.46	1.65	850	7.8	15
HIR234C	3	30	1.3	1.6	875	5.6	9.3

Infrared LED and Silicon Detector | Emitter | SMD



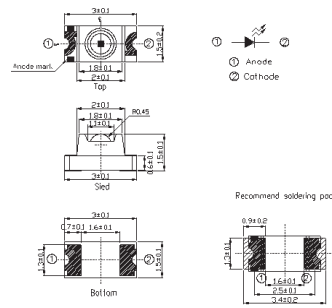
UNIT : mm



Product	Dimension (mm)	View Angle(°)	V _{F_Typ} (V)	V _{F_Max} (V)	λ _p (nm)	I _{E_Min} (mW/sr)	I _{e_Typ} (mW/sr)
IR26-61C/L746/R/TR8	3.0x1.2x2.65	20	1.25	1.5	940	4	8



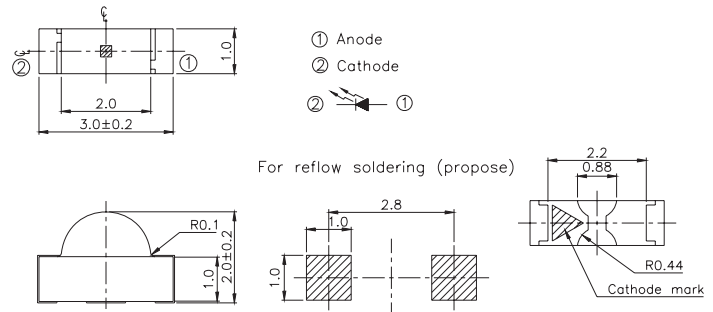
UNIT : mm



Product	Dimension (mm)	View Angle(°)	V _{F_Typ} (V)	V _{F_Max} (V)	λ _p (nm)	I _{E_Min} (mW/sr)	I _{e_Typ} (mW/sr)
HIR11-21C/L11/TR8	3.0x1.5x1.5	75	1.45	1.65	850	1	2
IR11-21C/TR8	3.0x1.5x1.5	100	1.2	1.5	940	0.5	1.6
IR11-21C/L491/TR8	3.0x1.5x1.5	80	1.3	1.7	940	1	2.8



UNIT : mm



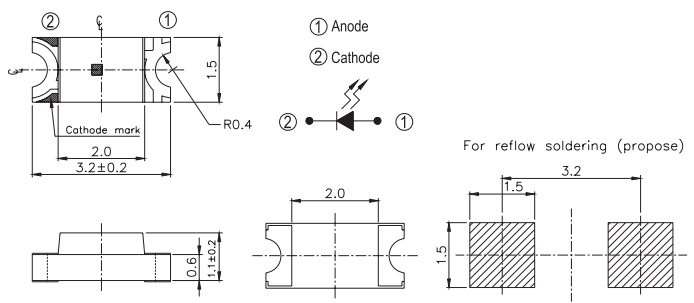
Product	Dimension (mm)	View Angle(°)	V _{F_Typ} (V)	V _{F_Max} (V)	λ _p (nm)	I _{E_Min} (mW/sr)	I _{e_Typ} (mW/sr)
IR12-21C/TR8	3.0x1.0x2.0	160	1.2	1.5	940	0.5	0.8
SIR12-21C/TR8	3.0x1.0x2.0	160	1.3	1.6	875	0.5	0.9

Infrared LED and Silicon Detector

Infrared LED and Silicon Detector | Emitter | SMD



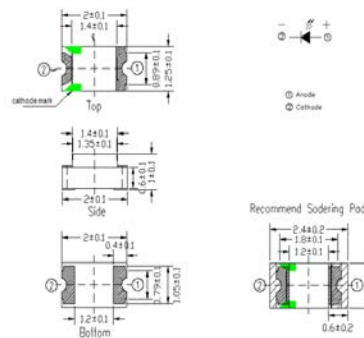
UNIT : mm



Product	Dimension (mm)	View Angle(°)	V _{F_Typ} (V)	V _{F_Max} (V)	λ _p (nm)	I _{e_Min} (mW/sr)	I _{e_Typ} (mW/sr)
IR15-21C/TR8	3.2x1.5x1.1	160	1.2	1.5	940	0.2	0.8



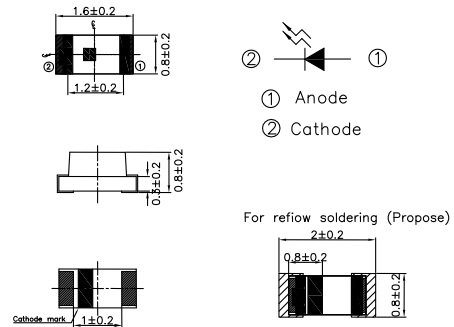
UNIT : mm



Product	Dimension (mm)	View Angle(°)	V _{F_Typ} (V)	V _{F_Max} (V)	λ _p (nm)	I _{e_Min} (mW/sr)	I _{e_Typ} (mW/sr)
IR17-21C/TR8	2.0x1.25x1.1	120	1.2	1.5	940	0.2	0.8



UNIT : mm

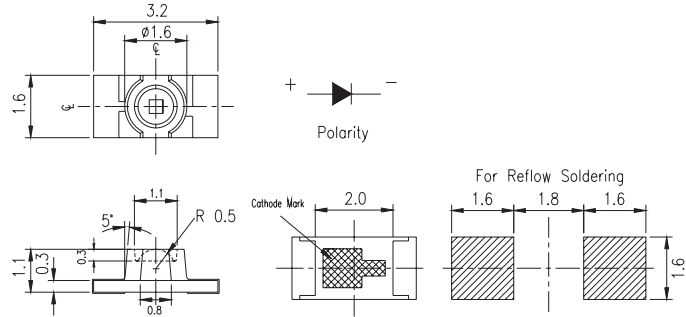


Product	Dimension (mm)	View Angle(°)	V _{F_Typ} (V)	V _{F_Max} (V)	λ _p (nm)	I _{e_Min} (mW/sr)	I _{e_Typ} (mW/sr)
HIR19-21C/L11/TR8	1.6x0.8x0.8	145	1.45	1.65	850	0.2	0.8
IR19-21C/TR8	1.6x0.8x0.8	150	1.2	1.5	940	0.2	0.7
SIR19-21C/TR8	1.6x0.8x0.8	145	1.3	1.6	875	0.2	0.5

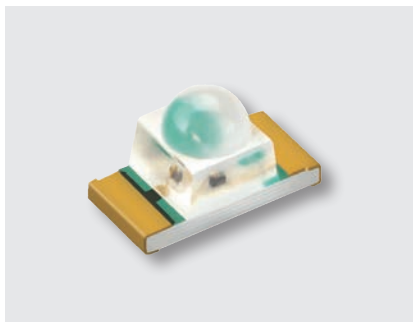
Infrared LED and Silicon Detector | Emitter | SMD



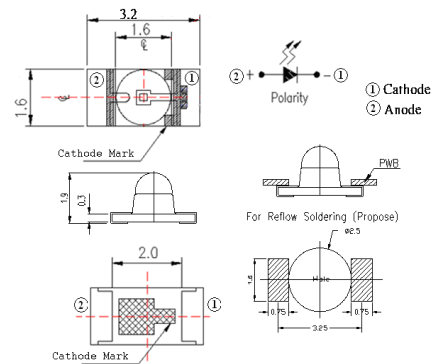
UNIT : mm



Product	Dimension (mm)	View Angle(°)	V _{F_Typ} (V)	V _{F_Max} (V)	λ _p (nm)	I _{E_Min} (mW/sr)	I _{e_Typ} (mW/sr)
IR25-21C/TR8	3.2x1.6x1.1	160	1.2	1.5	940	0.5	1.5



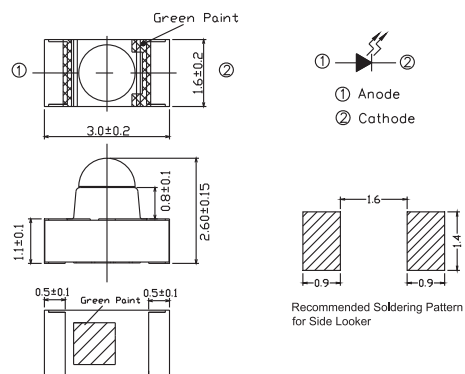
UNIT : mm



Product	Dimension (mm)	View Angle(°)	V _{F_Typ} (V)	V _{F_Max} (V)	λ _p (nm)	I _{E_Min} (mW/sr)	I _{e_Typ} (mW/sr)
IR26-21C/L110/TR8	3.2x1.6x1.9	20	1.2	1.5	940	1	3



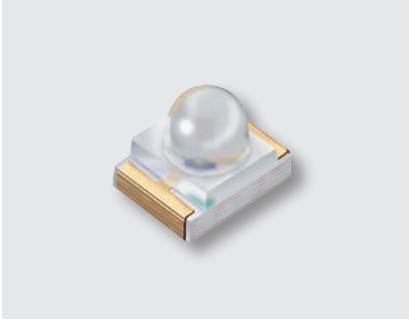
UNIT : mm



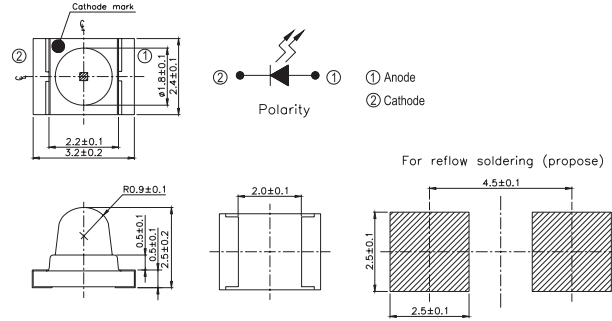
Product	Dimension (mm)	View Angle(°)	V _{F_Typ} (V)	V _{F_Max} (V)	λ _p (nm)	I _{E_Typ} (mW/sr) IF=20mA	I _{E_Typ} (mW/sr) IF=100mA
IR26-51C/L110/TR8	3.0x1.6x2.6	20	1.2	1.5	940	4.5	15

Infrared LED and Silicon Detector

Infrared LED and Silicon Detector | Emitter | SMD



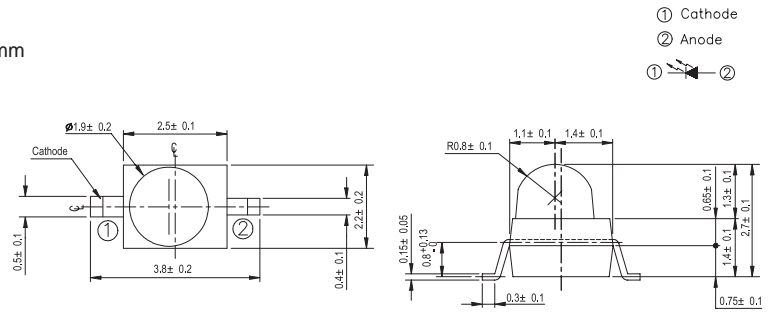
UNIT : mm



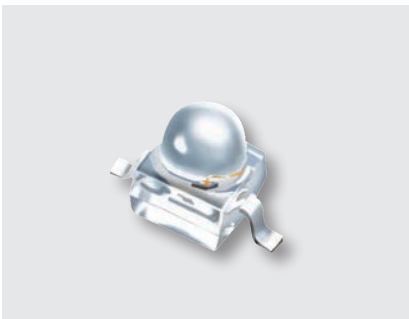
Product	Dimension (mm)	View Angle(°)	V _{F_Typ} (V)	V _{F_Max} (V)	λ _p (nm)	I _{e_Min} (mW/sr)	I _{e_Typ} (mW/sr)
IR42-21C/TR8	3.2x2.4x2.5	30	1.2	1.5	940	1	3



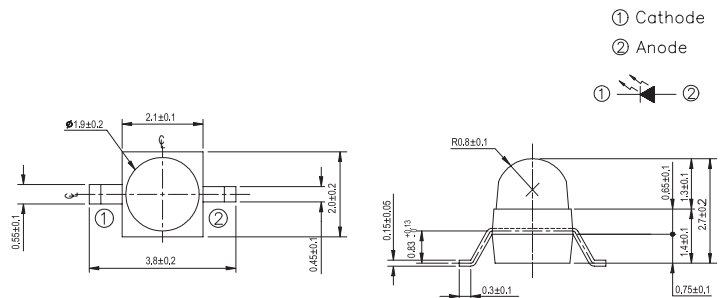
UNIT : mm



Product	Dimension (mm)	View Angle(°)	V _{F_Typ} (V)	V _{F_Max} (V)	λ _p (nm)	I _{e_Min} (mW/sr)	I _{e_Typ} (mW/sr)
IR91-21C/TR7	2.5x2.2x2.7	25	1.2	1.5	940	3	5
IR91-21C	2.5x2.2x2.7	25	1.2	1.5	940	3	5
IR91-21C/TR10	2.5x2.2x2.7	25	1.2	1.5	940	3	5

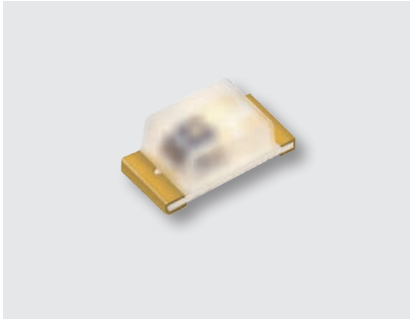


UNIT : mm

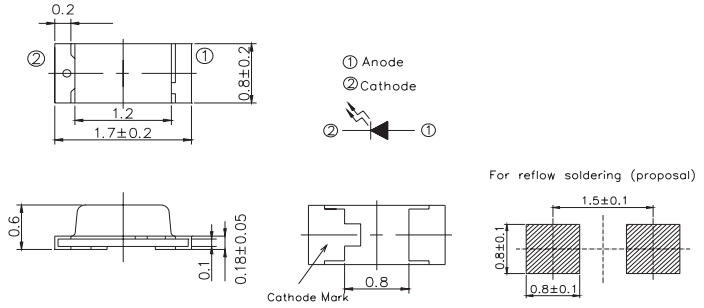


Product	Dimension (mm)	View Angle(°)	V _{F_Typ} (V)	V _{F_Max} (V)	λ _p (nm)	I _{e_Min} (mW/sr)	I _{e_Typ} (mW/sr)
IR95-21C/TR7	2.1x2.0x2.7	25	1.2	1.5	940	3	5

Infrared LED and Silicon Detector | Emitter | SMD



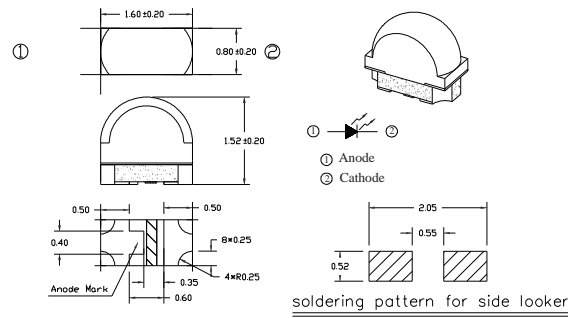
UNIT : mm



Product	Dimension (mm)	View Angle(°)	V _{F_Typ} (V)	V _{F_Max} (V)	λ _p (nm)	I _{e_Min} (mW/sr)	I _{e_Typ} (mW/sr)
IR19-315C/TR8	1.7x0.8x0.6	140	1.2	1.5	940	0.2	0.6
SIR19-315/TR8	1.7x0.8x0.6	140	1.35	1.7	870	1	1.3



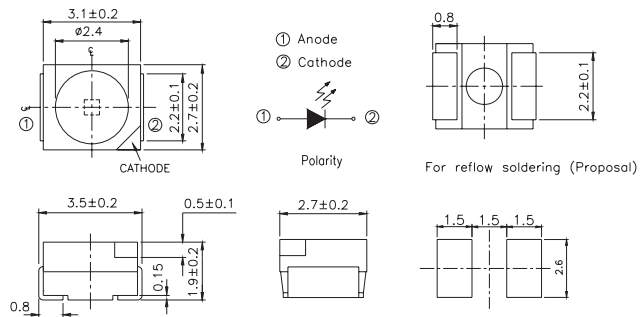
UNIT : mm



Product	Dimension (mm)	View Angle(°)	V _{F_Typ} (V)	V _{F_Max} (V)	λ _p (nm)	I _{e_Min} (mW/sr)	I _{e_Typ} (mW/sr)
HIR83-01B/TR8	1.6x0.8x1.52	100(X) 40(Y)	1.4	1.7	850	2	5

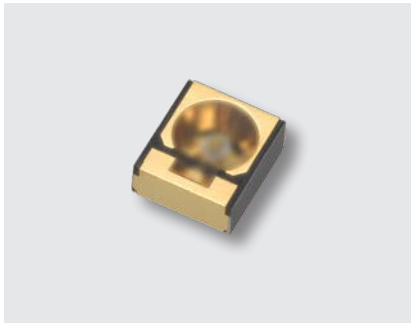


UNIT : mm

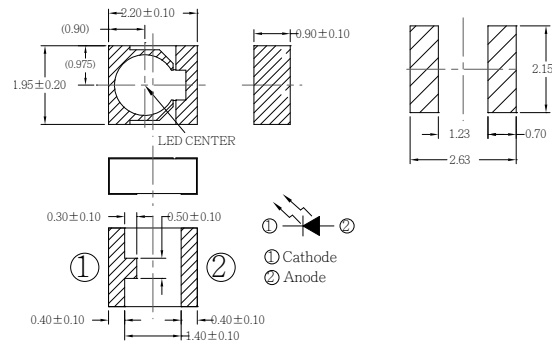


Product	Dimension (mm)	View Angle(°)	V _{F_Typ} (V)	V _{F_Max} (V)	λ _p (nm)	I _{e_Min} (mW/sr)	I _{e_Typ} (mW/sr)
SIR67-21C/TR8	3.5x2.7x1.9	120	1.3	1.6	875	0.5	1.1
HIR67-21C/L11/TR8	3.5x2.7x1.9	120	1.45	1.65	850	1	2
IR67-21C/TR8	3.5x2.7x1.9	120	1.2	1.5	940	1	1.5

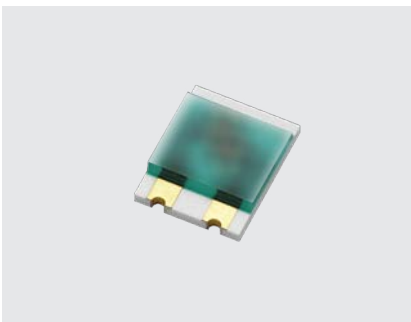
Infrared LED and Silicon Detector | Emitter | SMD



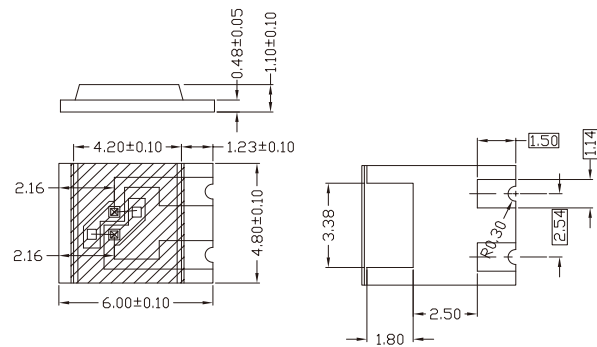
UNIT : mm



Product	Dimension (mm)	View Angle(°)	V _{F_Typ} (V)	V _{F_Max} (V)	λ _p (nm)	I _{e_Min} (mW/sr)	I _{e_Typ} (mW/sr)
IR91-01C/L491/2R	2.2x1.95x0.90	40	1.4	1.7	940	25@70mA	50@70mA

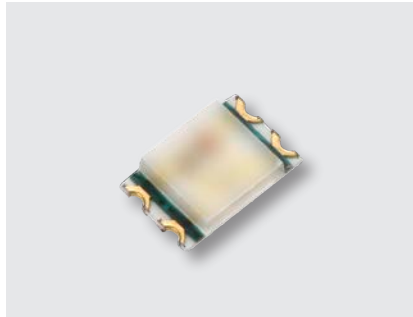


UNIT : mm

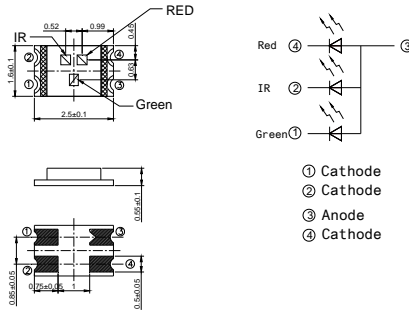


Product	Dimension (mm)	View Angle(°)	V _{F_Typ} (V)	V _{F_Max} (V)	λ _p (nm)	I _{e_Min} (mW/sr)	I _{e_Typ} (mW/sr)
IRR60-48C/TR8	6.0x4.8x1.1	125/145	2.1/1.4	2.5/1.6	660/905	1/0.5	2.3/1
IRR60-48C/L661/TR8	6.0x4.8x1.1	140(R)130(IR)	2.1(R)1.4(IR)	2.5(R)1.6(IR)	660(R)910(IR)	1.0(R)1.0(IR)	2.3(R)1.5(IR)

Infrared LED and Silicon Detector | Emitter | SMD



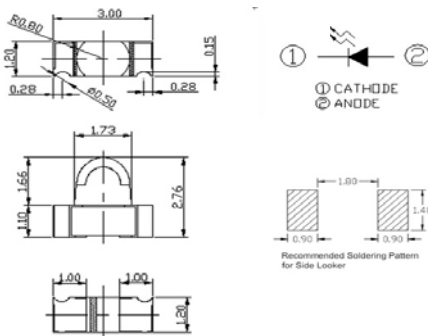
UNIT : mm



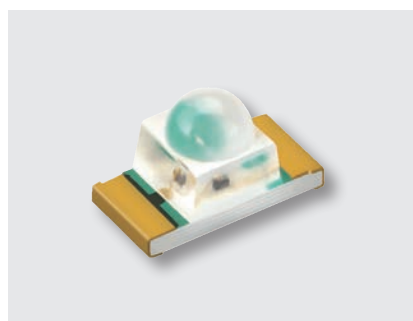
Product	Dimension (mm)	View Angle(°)	V _{F_Typ} (V)	V _{F_Max} (V)	λ _p (nm)	I _{E_Min} (mW/sr)
IRRG25-16C/L491/TR8	2.5x1.6x0.55	120	3.0(G)1.9(R)1.3(IR)	3.5(G)2.5(R)1.7(IR)	525(G)660(R)940(IR)	1200mcd(G)150mcd(R)1.5(IR)



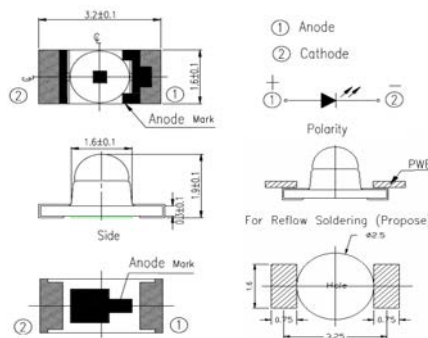
UNIT : mm



Product	Dimension (mm)	View Angle(°)	V _{F_Typ} (V)	V _{F_Max} (V)	λ _p (nm)	I _{E_Min} (mW/sr)	I _{e_Typ} (mW/sr)
IR29-01C/L510/R/TR8	3.0x1.2x2.76	15	1.3	1.6	940	20	25



UNIT : mm



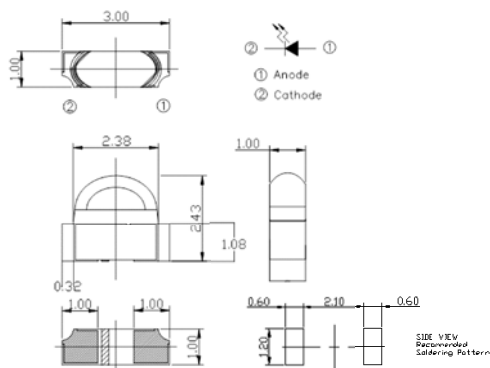
Product	Dimension (mm)	View Angle(°)	V _{F_Typ} (V)	V _{F_Max} (V)	λ _p (nm)	I _{E_Min} (mW/sr)	I _{e_Typ} (mW/sr)
IR26-21C/L447/CT	3.2x1.6x1.9	25	1.3	1.5	940	11	18
HIR26-21C/L289/TR8	3.2x1.6x1.9	25	1.4	1.7	850	10	17
HIR26-21C/L423/TR8	3.2x1.6x1.9	20	1.45	1.7	855	14	25

Infrared LED and Silicon Detector

Infrared LED and Silicon Detector | Emitter | SMD



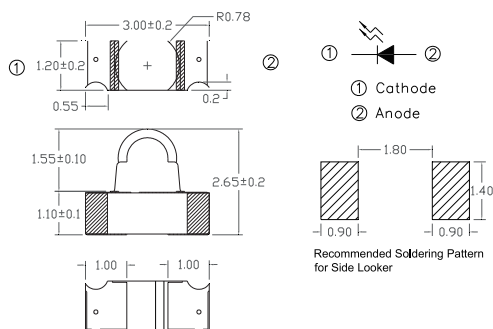
UNIT : mm



Product	Dimension (mm)	View Angle(°)	V _{F_Typ} (V)	V _{F_Max} (V)	λ _p (nm)	I _{e_Typ} (mW/sr)
IR26-91C/L510/2D	3.0x1.0x2.43	130(X)20(Y)	1.3	1.6	940	8



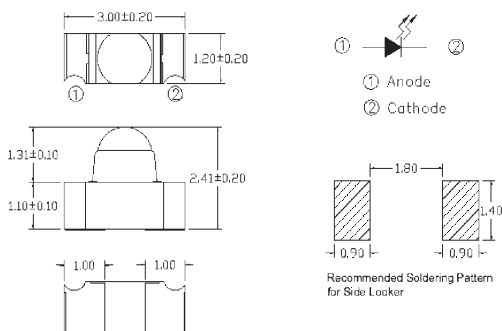
UNIT : mm



Product	Dimension (mm)	View Angle(°)	V _{F_Typ} (V)	V _{F_Max} (V)	λ _p (nm)	I _{e_Min} (mW/sr)	I _{e_Typ} (mW/sr)
IR26-61C/L510/R/2G	3.0x1.2x2.65	20	1.2	1.5	940	10	24



UNIT : mm

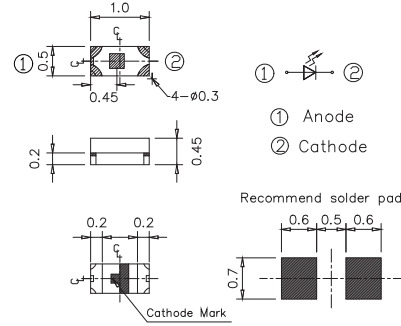


Product	Dimension (mm)	View Angle(°)	V _{F_Typ} (V)	V _{F_Max} (V)	λ _p (nm)	I _{e_Min} (mW/sr)	I _{e_Typ} (mW/sr)
IR26-71C/L447/S63/TR8	3.0x1.2x2.4	50	1.3	1.6	940	5	8.5

Infrared LED and Silicon Detector | Emitter | SMD



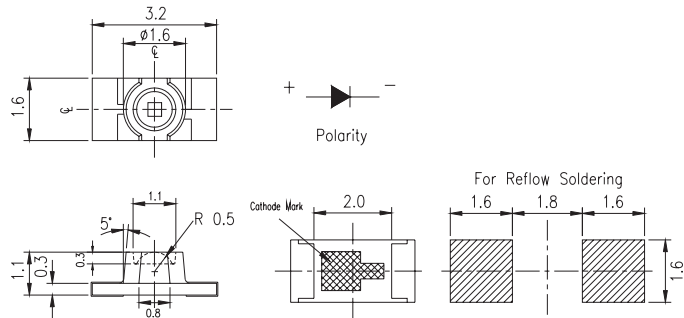
UNIT : mm



Product	Dimension (mm)	View Angle(°)	V _{F_Typ} (V)	V _{F_Max} (V)	λ _p (nm)	I _{e_Min} (mW/sr)	I _{e_Typ} (mW/sr)
IR16-213C/L510/TR8	1.0x0.5x0.45	120	1.5	1.9	940	0.5	2.35



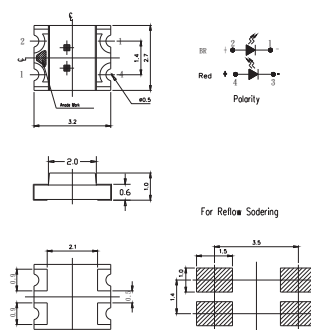
UNIT : mm



Product	Dimension (mm)	View Angle(°)	V _{F_Typ} (V)	V _{F_Max} (V)	λ _p (nm)	I _{e_Min} (mW/sr)	I _{e_Typ} (mW/sr)
HIR25-21C/L289/2T	3.2x1.6x1.0	60	1.4	1.7	850	850	5
HIR25-21C/L423/TR8	3.2x1.6x1.1	70	1.45	1.65	850	3	5.5



UNIT : mm

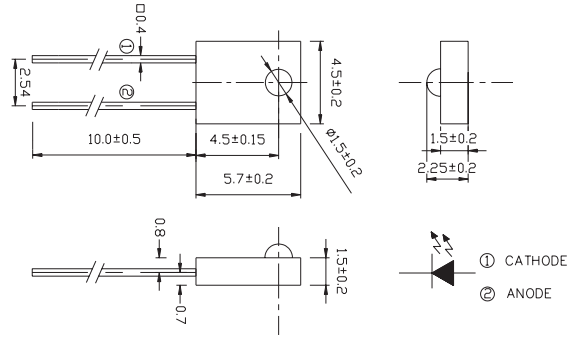


Product	Dimension (mm)	View Angle(°)	V _{F_Typ} (V)	V _{F_Max} (V)	λ _p (nm)	I _{e_Min} (mW/sr)	I _{e_Typ} (mW/sr)
IRR15-22C/L491/TR8	3.2x2.7x1.0	120	1.9(R)1.3(IR)	2.5(R)1.7(IR)	660(R)940(IR)	1.0(R)1.0(IR)	2.3(R)2.1(IR)
BR15-22C/L586/R/TR8	3.2x2.7x1.0	140	1.8(R)1.3(IR)	2.6(R)1.8(IR)	660(R)905(IR)	0.5(R)0.2(IR)	1.5(R)0.5(IR)

Infrared LED and Silicon Detector | Emitter | Side Look



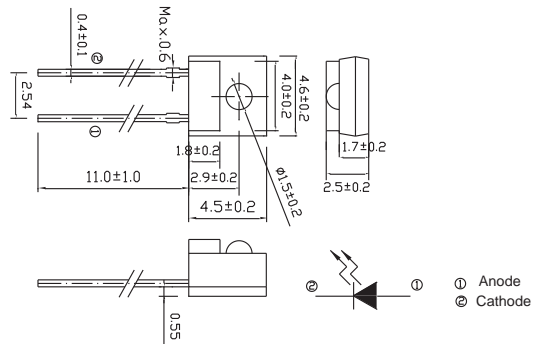
UNIT : mm



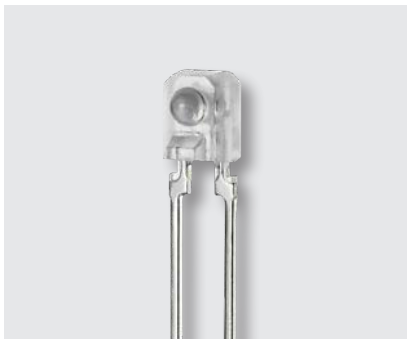
Product	Dimension (mm)	View Angle(°)	V _{F_Typ} (V)	V _{F_Max} (V)	λ _p (nm)
IR908-7C-F	4.5x2.25x5.7	40	1.2	1.5	940



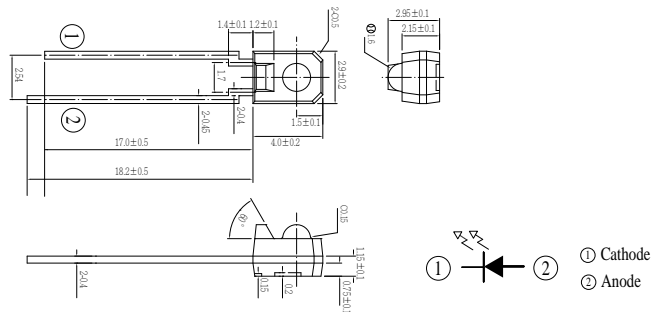
UNIT : mm



Product	Dimension (mm)	View Angle(°)	V _{F_Typ} (V)	V _{F_Max} (V)	λ _p (nm)
IR928-6C-F	4.6x2.5x4.5	20	1.2	1.5	940

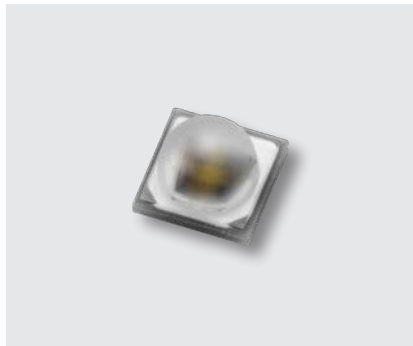


UNIT : mm

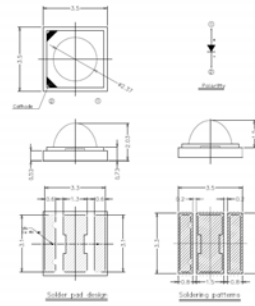


Product	Dimension (mm)	View Angle(°)	V _{F_Typ} (V)	V _{F_Max} (V)	λ _p (nm)
IR968-8C	2.9x4.0x2.9	25	1.2	1.5	940

Infrared LED and Silicon Detector | Emitter | High power



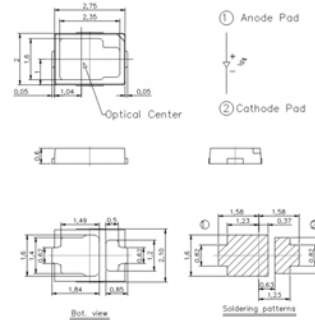
UNIT : mm



Product	Dimension (mm)	Viewing Angle(°)	VF_Typ (V) (If = 350mA)	λp (nm)	le_Min (mW/sr) (If = 350mA)	le_Typ (mW/sr) (If = 350mA)
HIR-C19D-1N90/L649-P03/TR	3.5x3.5x2.36	90	3	850	170	200
HIR-C19D-1N150/L649-P03/TR	3.5x3.5x1.52	150	2.65	850	85	100



UNIT : mm



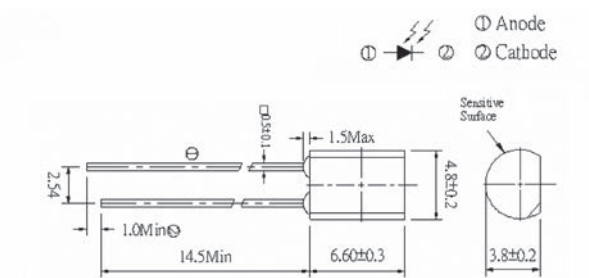
Product	Dimension (mm)	Viewing Angle(°)	VF_Typ (V) (If = 350mA)	λp (nm)	le_Min (mW/sr) (If = 350mA)	le_Typ (mW/sr) (If = 350mA)
IR-S06-P120/L741-P03/TR	2.8x2.0x0.6	120	2.6	940	-	120

Infrared LED and Silicon Detector

Infrared LED and Silicon Detector | Photo Diode | Side Look



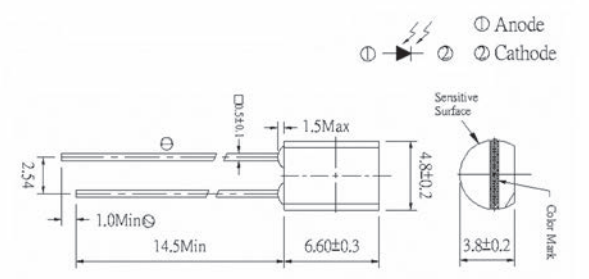
UNIT : mm



Product	Dimension (mm)	λ_p (nm)	I_L _Typ (μ A)	BVR_Min.(V)	ID_Max (nA)
PD438B	4.8x3.8x6.6	940	18	32	30
PD438B/S46	4.8x3.8x6.6	940	18	32	30



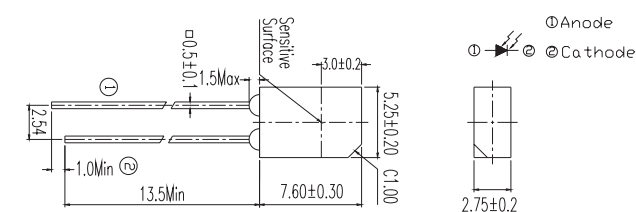
UNIT : mm



Product	Dimension (mm)	λ_p (nm)	I_L _Typ (μ A)	BVR_Min.(V)	ID_Max (nA)
PD438C	4.8x3.8x6.6	940	18	32	30
PD438C/S46	4.8x3.8x6.6	940	18	32	30



UNIT : mm

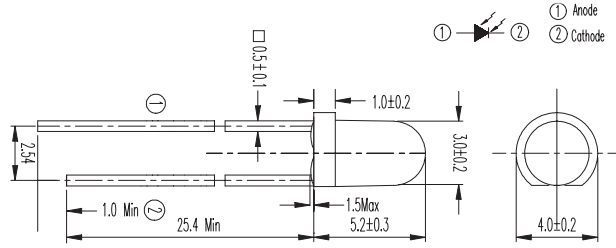


Product	Dimension (mm)	λ_p (nm)	I_L _Typ (μ A)	BVR_Min.(V)	ID_Max (nA)
PD638B	5.2x2.7x7.6	940	18	32	30

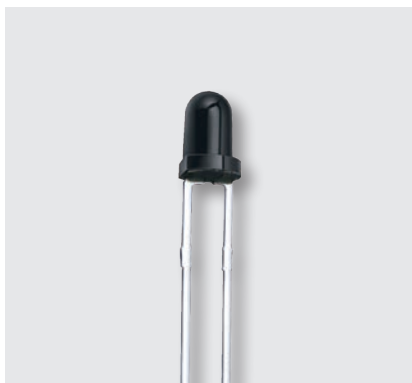
Infrared LED and Silicon Detector | Photo Diode | Lamp



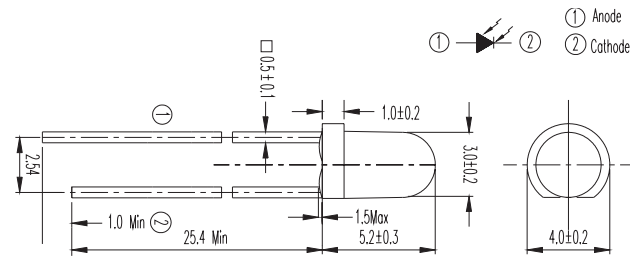
UNIT : mm



Product	Dimension (mm)	λ_p (nm)	I_L _Typ (μ A)	BVR_Min.(V)	ID_Max (nA)
PD204-6C	3	940	3.5	32	10
PD204-6C/L3	3	940	10	32	10



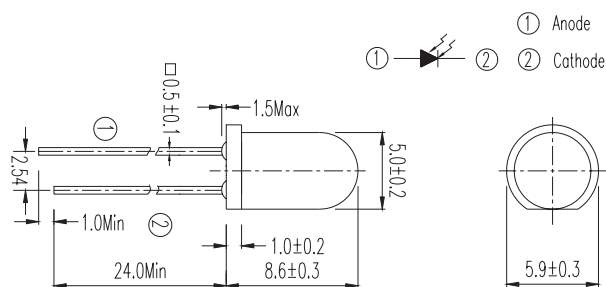
UNIT : mm



Product	Dimension (mm)	λ_p (nm)	I_L _Typ (μ A)	BVR_Min.(V)	ID_Max (nA)
PD204-6B	3	940	3	32	10
PD204-6B/L3	3	940	6	32	10



UNIT : mm



Product	Dimension (mm)	λ_p (nm)	I_L _Typ (μ A)	BVR_Min.(V)	ID_Max (nA)
PD333-3C/L793	5	940	33	30	10
PD333-3C/H0/L2	5	940	40	32	30
PD333-3C/H0/L811	5	940	60	35	10

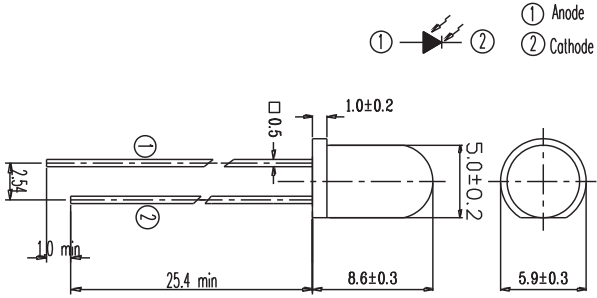
Infrared LED and Silicon Detector

Infrared LED and Silicon Detector | Photo Diode | Lamp

Infrared LED and Silicon Detector

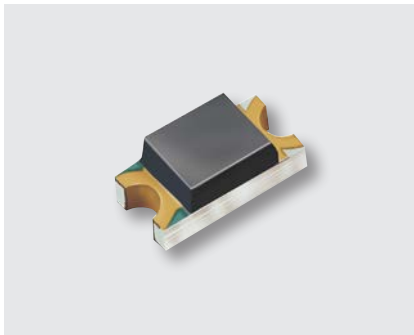


UNIT : mm

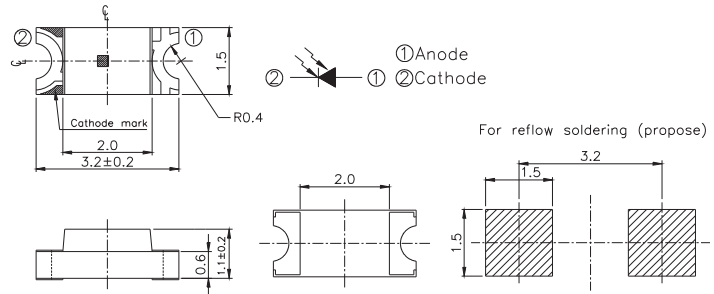


Product	Dimension (mm)	λ_p (nm)	I_L _Typ (μ A)	BVR_Min.(V)	ID_Max (nA)
PD333-3B/L1	5	940	min. 15	32	30
PD333-3B/L2	5	940	35	32	30
PD333-3B/L3	5	940	min. 10	32	10
PD333-3B/L4	5	940	12	32	10
PD333-3B/H0/L2	5	940	35	32	30

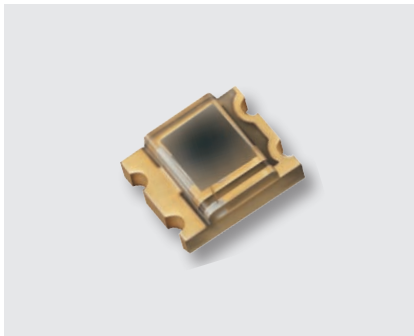
Infrared LED and Silicon Detector | Photo Diode | SMD



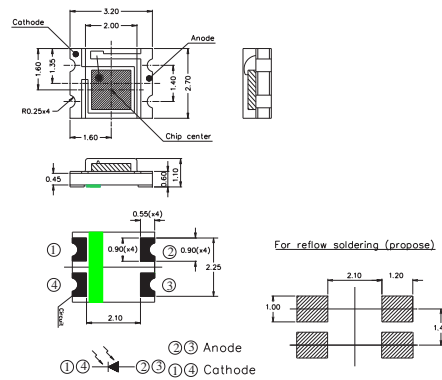
UNIT : mm



Product	Dimension (mm)	λ_p (nm)	I_L _Typ (μA)	BVR_Min.(V)	ID_Max (nA)
PD15-21B/TR8	3.2x1.5x1.1	940	0.8	32	10



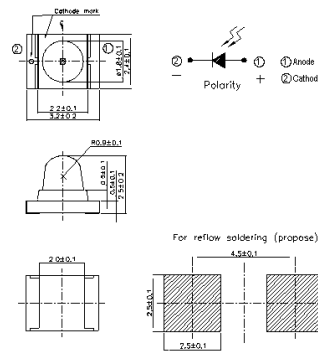
UNIT : mm



Product	Dimension (mm)	λ_p (nm)	I_L _Typ (μA)	BVR_Min.(V)	ID_Max (nA)
PD15-22C/TR8	3.3x2.8x1.1	940	10	32	10

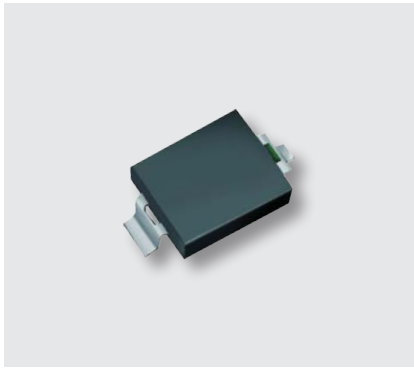


UNIT : mm

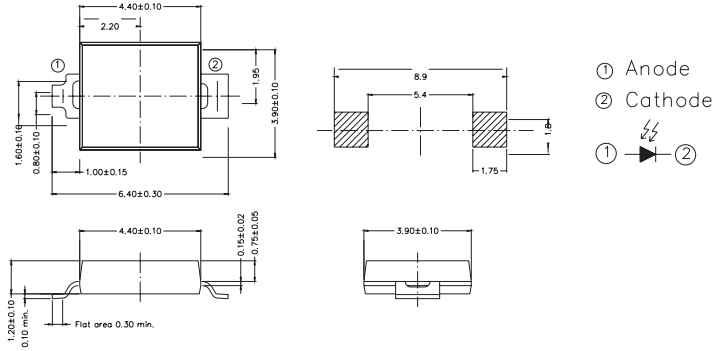


Product	Dimension (mm)	λ_p (nm)	I_L _Typ (μA)	BVR_Min.(V)	ID_Max (nA)
PD42-21B/TR8	3.2x2.4x2.6	940	4	32	10
PD42-21C/TR8	3.2x2.4x2.6	940	5	32	10

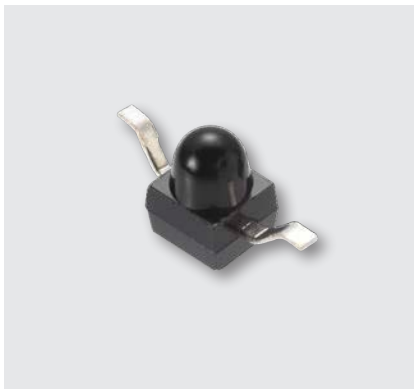
Infrared LED and Silicon Detector | Photo Diode | SMD



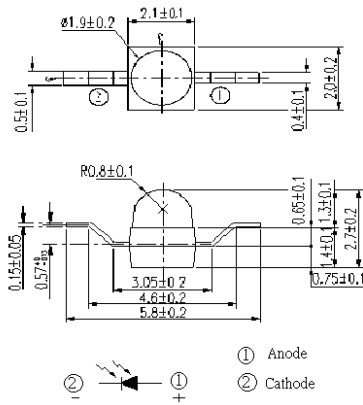
UNIT : mm



Product	Dimension (mm)	λ_p (nm)	I_L _Typ (μ A)	BVR_Min.(V)	ID_Max (nA)
PD70-01B/TR7	4.4x3.9x1.2	940	25	32	30
PD70-01C/TR7	4.4x3.9x1.2	940	25	32	30



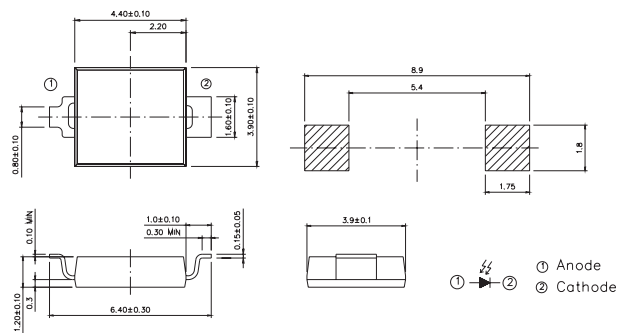
UNIT : mm



Product	Dimension (mm)	λ_p (nm)	I_L _Typ (μ A)	BVR_Min.(V)	ID_Max (nA)
PD95-21B/TR10	2.1x2.2x2.7	940	4	32	10



UNIT : mm

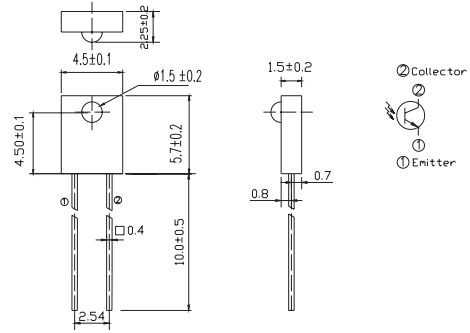


Product	Dimension (mm)	λ_p (nm)	I_L _Typ (μ A)	BVR_Min.(V)	ID_Max (nA)
PD70-01B/TR10	4.4x3.9x1.2	940	25	32	30
PD70-01C/TR10	4.4x3.9x1.2	940	25	32	30

Infrared LED and Silicon Detector | Photo Transistor | Side Look



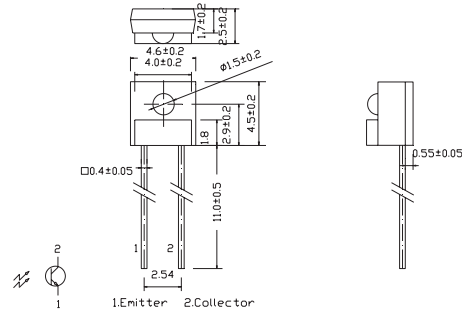
UNIT : mm



Product	Dimension (mm)	λ_p (nm)	Rise / Fall Time (μ S)	$V_{CE(SAT_Max)}$ (V)	$I_{C(ON_Typ)}$ (mA)
PT908-7C-F	4.5x2.25x5.7	940	15/15	0.4	min. 0.8
PT908-7B-F	4.5x2.25x5.7	940	15/15	0.4	min. 0.8



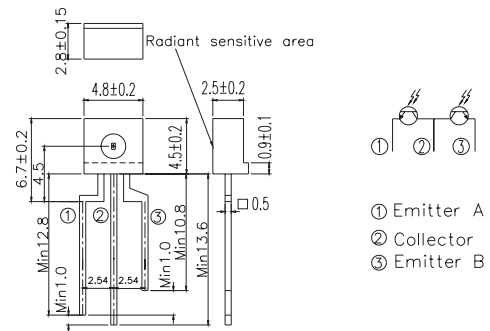
UNIT : mm



Product	Dimension (mm)	λ_p (nm)	Rise / Fall Time (μ S)	$V_{CE(SAT_Max)}$ (V)	$I_{C(ON_Typ)}$ (mA)
PT928-6B-F	4.6x2.5x4.5	940	15/15	0.4	2
PT928-6C-F	4.6x2.5x4.5	940	15/15	0.4	min. 0.7



UNIT : mm

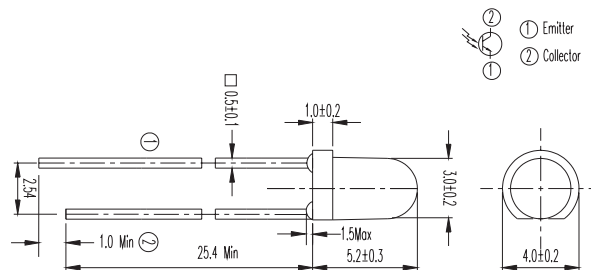


Product	Dimension (mm)	λ_p (nm)	Rise / Fall Time (μ S)	$V_{CE(SAT_Max)}$ (V)	$I_{C(ON_Typ)}$ (mA)
PT2559B/L2-F	4.8x2.8x4.5	940	15/15	0.4	min. 0.129
PT2559B/L2/H2-F	4.8x2.8x4.5	940	15/15	0.4	min. 0.129

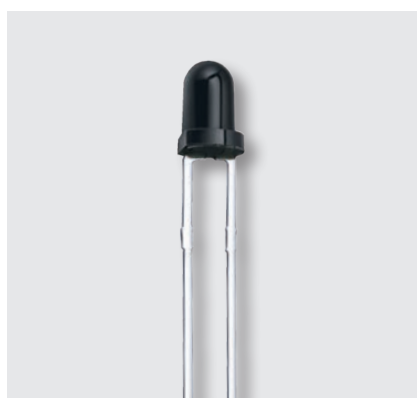
Infrared LED and Silicon Detector | Photo Transistor | Lamp



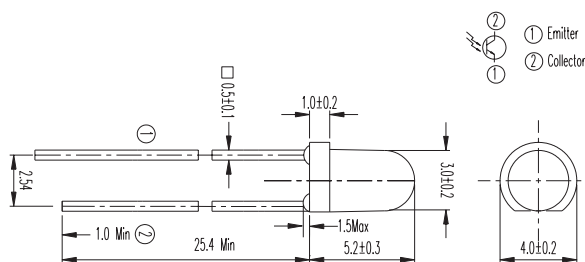
UNIT : mm



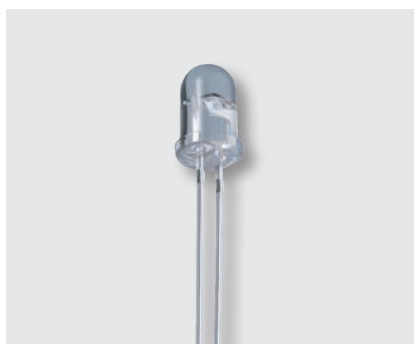
Product	Dimension (mm)	λ_p (nm)	Rise / Fall Time (μ S)	$V_{CE(SAT_Max)}$ (V)	$I_{C(ON_Typ)}$ (mA)
PT204-6C	3	940	15/15	0.4	2



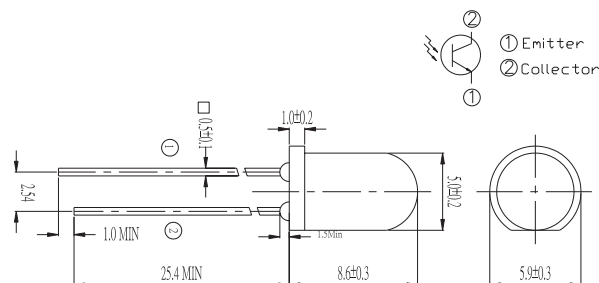
UNIT : mm



Product	Dimension (mm)	λ_p (nm)	Rise / Fall Time (μ S)	$V_{CE(SAT_Max)}$ (V)	$I_{C(ON_Typ)}$ (mA)
PT204-6B	3	940	15/15	0.4	min. 0.7

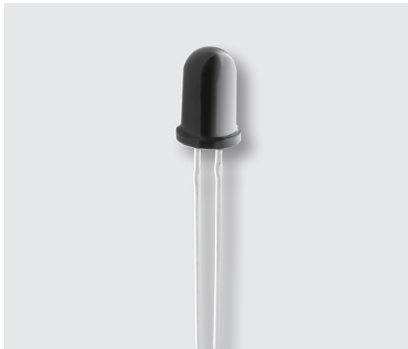


UNIT : mm

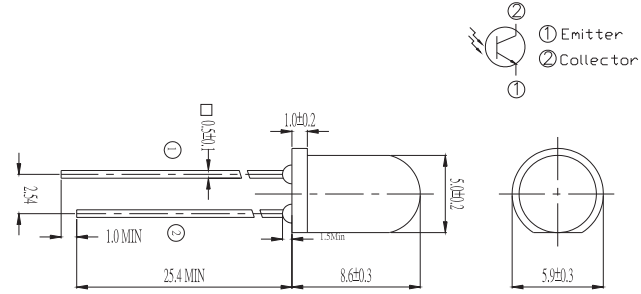


Product	Dimension (mm)	λ_p (nm)	Rise / Fall Time (μ S)	$V_{CE(SAT_Max)}$ (V)	$I_{C(ON_Typ)}$ (mA)
PT333-3C	5	940	15/15	0.4	4

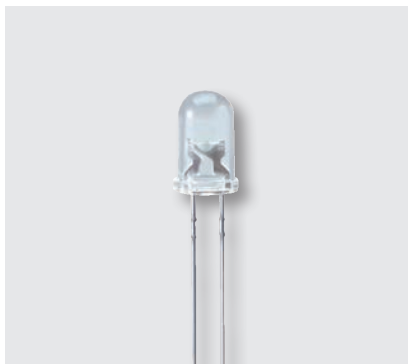
Infrared LED and Silicon Detector | Photo Transistor | Lamp



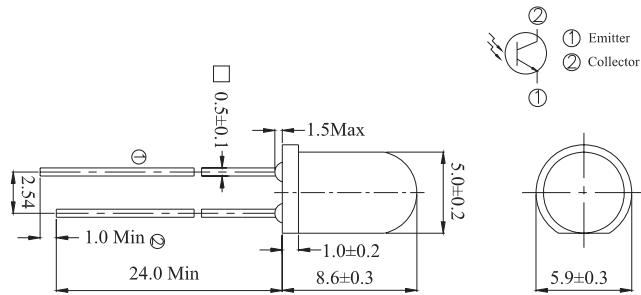
UNIT : mm



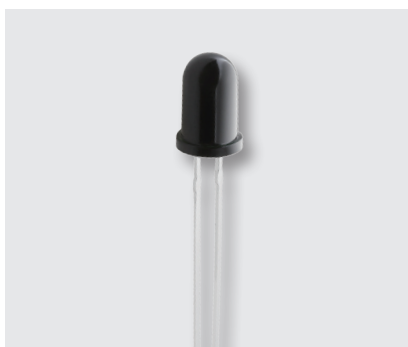
Product	Dimension (mm)	λ_p (nm)	Rise / Fall Time (μ S)	$V_{CE(SAT)}$ Max (V)	$I_{C(ON)}$ Typ (mA)
PT333-3B	5	940	15/15	0.4	3



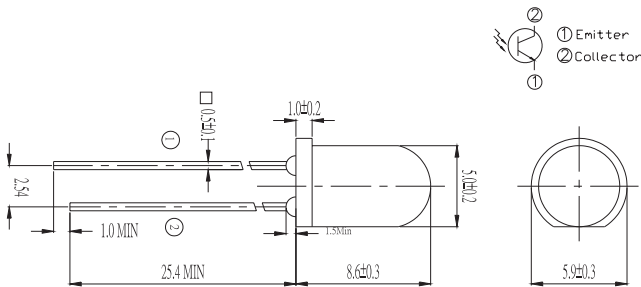
UNIT : mm



Product	Dimension (mm)	λ_p (nm)	Rise / Fall Time (μ S)	$V_{CE(SAT)}$ Max (V)	$I_{C(ON)}$ Typ (mA)
PT334-6C	5	940	15/15	0.4	3.5



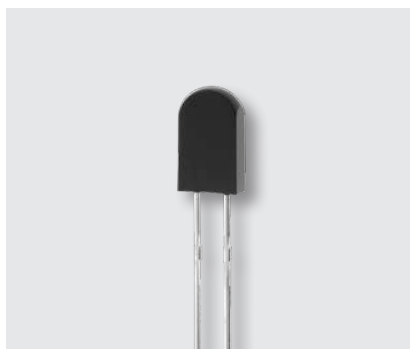
UNIT : mm



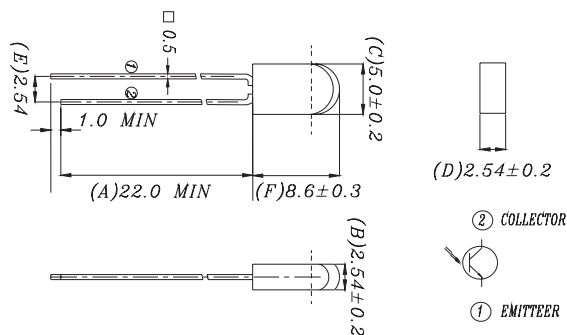
Product	Dimension (mm)	λ_p (nm)	Rise / Fall Time (μ S)	$V_{CE(SAT)}$ Max (V)	$I_{C(ON)}$ Typ (mA)
PT334-6B	5	940	15/15	0.4	2

Infrared LED and Silicon Detector | Photo Transistor | Lamp

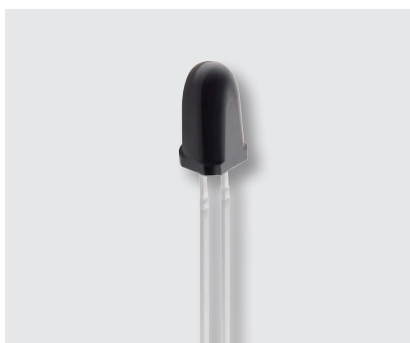
Infrared LED and Silicon Detector



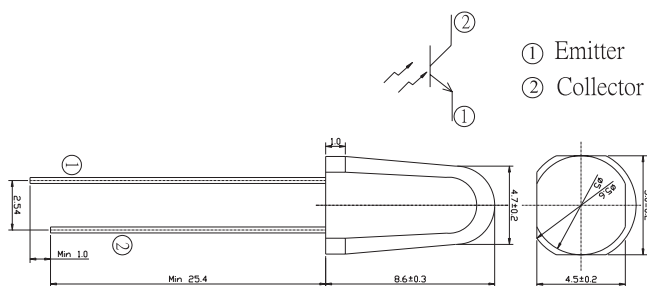
UNIT : mm



Product	Dimension (mm)	λ_p (nm)	Rise / Fall Time (μ S)	$V_{CE(SAT)}_{Max}$ (V)	$I_{C(ON)}_{Typ}$ (mA)
PT534-6B	5	980	15/15	0.4	1.2



UNIT : mm

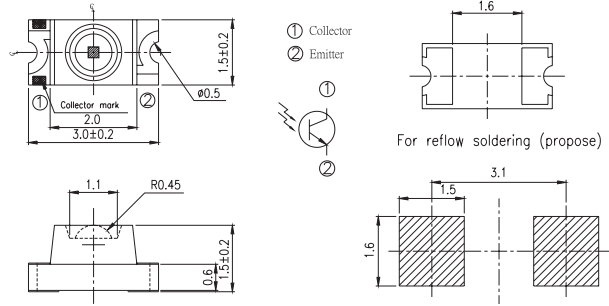


Product	Dimension (mm)	λ_p (nm)	Rise / Fall Time (μ S)	$V_{CE(SAT)}_{Max}$ (V)	$I_{C(ON)}_{Typ}$ (mA)
PT1504-6B	5	940	15/15	0.4	4

Infrared LED and Silicon Detector | Photo Transistor | SMD



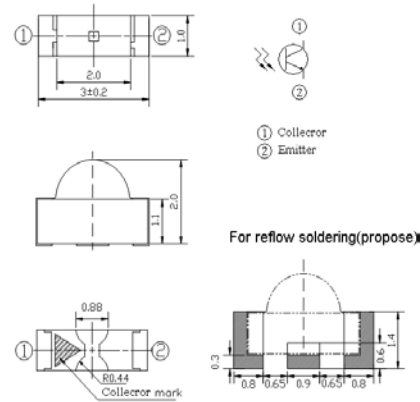
UNIT : mm



Product	Dimension (mm)	λ_p (nm)	Rise / Fall Time (μ S)	$V_{CE(SAT_Max)}$ (V)	$I_{C(ON_Typ)}$ (mA)
PT11-21C/L41/TR8	3.0x1.5x1.5	940	15/15	0.4	0.8



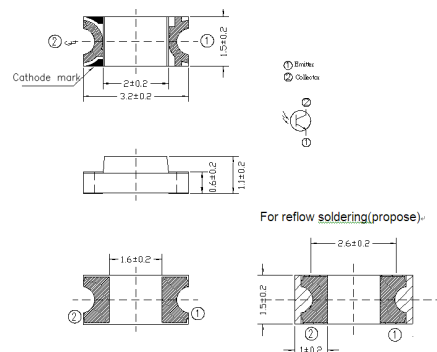
UNIT : mm



Product	Dimension (mm)	λ_p (nm)	Rise / Fall Time (μ S)	$V_{CE(SAT_Max)}$ (V)	$I_{C(ON_Typ)}$ (mA)	$I_{C(ON_Min)}$ (mA)
PT12-21B/TR8	3.0x1.0x2.0	940	15/15	0.4	NA	0.3
PT12-21C/TR8	3.0x1.0x2.0	940	15/15	0.4	1.14	0.3

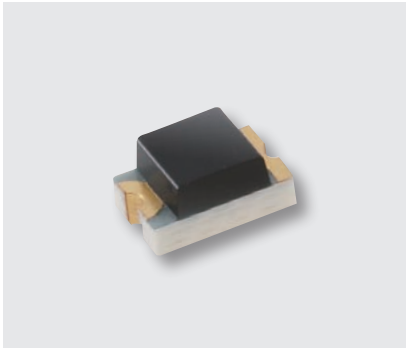


UNIT : mm

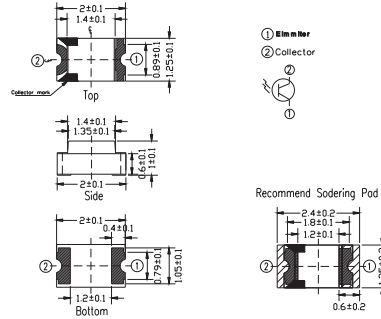


Product	Dimension (mm)	λ_p (nm)	Rise / Fall Time (μ S)	$V_{CE(SAT_Max)}$ (V)	$I_{C(ON_Typ)}$ (mA)
PT15-21B/TR8	3.2x1.5x1.1	940	15/15	0.4	0.3
PT15-21C/TR8	3.0x1.0x2.0	940	15/15	0.4	0.3

Infrared LED and Silicon Detector | Photo Transistor | SMD



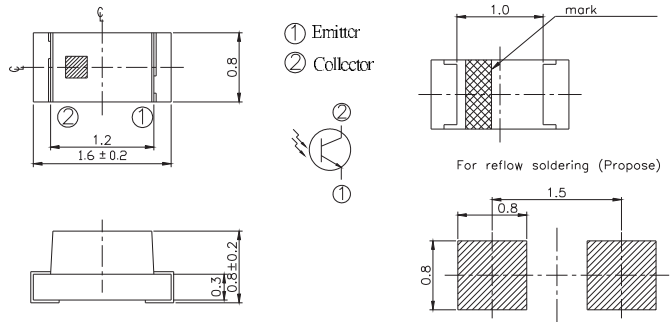
UNIT : mm



Product	Dimension (mm)	λ_p (nm)	Rise / Fall Time (μ s)	$V_{CE(SAT)}$ Max (V)	$I_{C(ON)}$ Typ (mA)
PT17-21B/L41/TR8	2.0x1.25x1.1	940	15/15	0.4	0.65
PT17-21C/L41/TR8	3.0x1.0x2.0	940	15/15	0.4	1



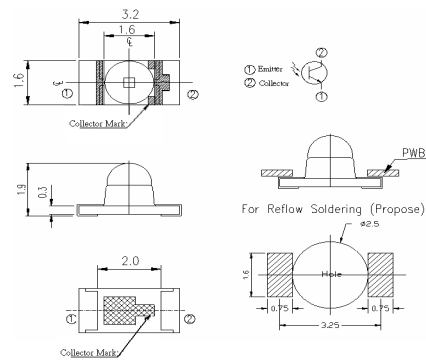
UNIT : mm



Product	Dimension (mm)	λ_p (nm)	Rise / Fall Time (μ s)	$V_{CE(SAT)}$ Max (V)	$I_{C(ON)}$ Typ (mA)
PT19-21B/L41/TR8	1.6x0.8x0.8	940	15/15	0.4	0.6
PT19-21C/L41/TR8	1.6x0.8x0.8	940	15/15	0.4	0.6



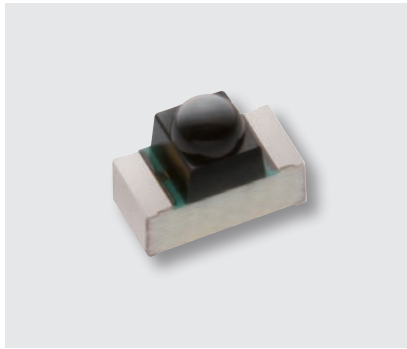
UNIT : mm



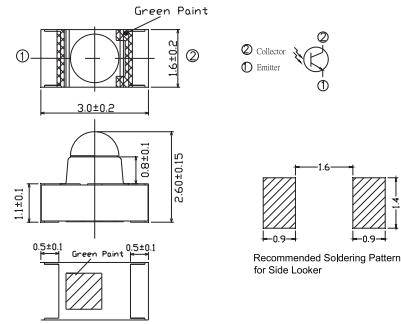
Product	Dimension (mm)	λ_p (nm)	Rise / Fall Time (μ s)	$V_{CE(SAT)}$ Max (V)	$I_{C(ON)}$ Typ (mA)
PT26-21B/TR8	3.2x1.6x1.85	940	15/15	0.4	2.6
PT26-21C/TR8	3.2x1.6x1.85	940	15/15	0.4	2.6

Infrared LED and Silicon Detector | Photo Transistor | SMD

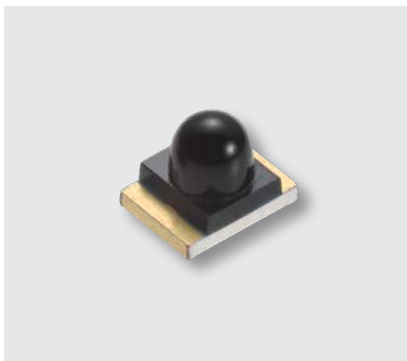
Infrared LED and Silicon Detector



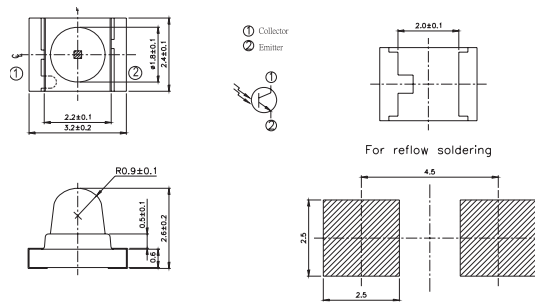
UNIT : mm



Product	Dimension (mm)	λ_p (nm)	Rise / Fall Time (μ S)	$V_{CE(SAT_Max)}$ (V)	$I_{C(ON_Typ)}$ (mA)
PT26-51B/TR8	3.2x1.6x2.5	940	15/15	0.4	1



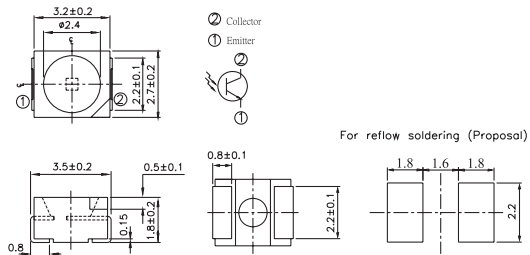
UNIT : mm



Product	Dimension (mm)	λ_p (nm)	Rise / Fall Time (μ S)	$V_{CE(SAT_Max)}$ (V)	$I_{C(ON_Typ)}$ (mA)
PT42-21B/TR8	3.2x2.4x2.6	940	15/15	0.4	3



UNIT : mm

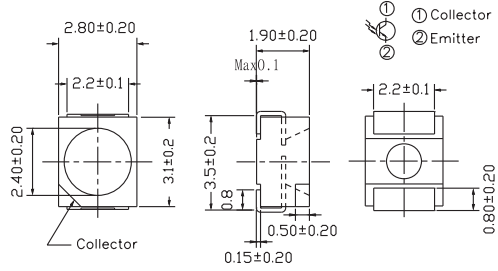


Product	Dimension (mm)	λ_p (nm)	Rise / Fall Time (μ S)	$V_{CE(SAT_Max)}$ (V)	$I_{C(ON_Typ)}$ (mA)
PT67-21B/C14/TR8	3.5x2.7x1.8	940	15/15	0.4	min. 16 μ A@Ee=0.1mW/cm ²

Infrared LED and Silicon Detector | Photo Transistor | SMD



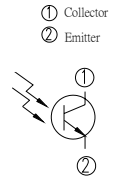
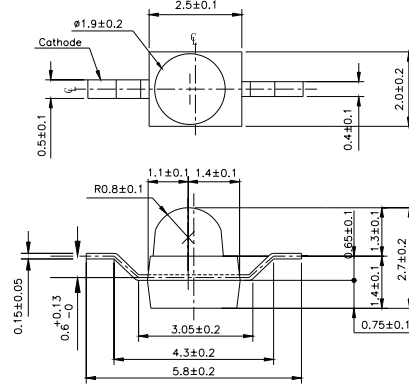
UNIT : mm



Product	Dimension (mm)	λ_p (nm)	Rise / Fall Time (μ s)	$V_{CE(SAT)}$ Max (V)	$I_{C(ON)}$ Typ (mA)
PT67-21C/L41/TR8	3.1x2.8x1.9	940	15/15	0.4	min. 0.3



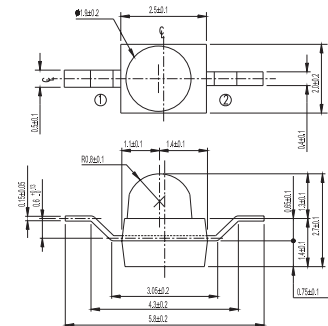
UNIT : mm



Product	Dimension (mm)	λ_p (nm)	Rise / Fall Time (μ s)	$V_{CE(SAT)}$ Max (V)	$I_{C(ON)}$ Typ (mA)
PT91-21B	2.5x2.2x2.7	940	15/15	0.4	3
PT91-21B/TR10	2.5x2.2x2.7	940	15/15	0.4	3
PT91-21B/TR7	2.5x2.2x2.7	940	15/15	0.4	3
PT91-21B/TR9	2.5x2.2x2.7	940	15/15	0.4	3



UNIT : mm

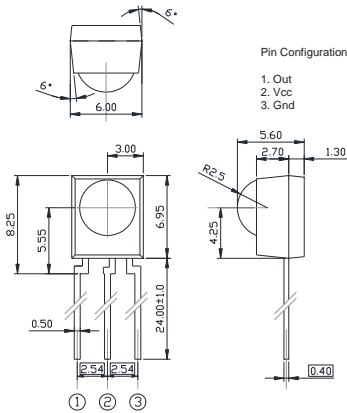


Product	Dimension (mm)	λ_p (nm)	Rise / Fall Time (μ s)	$V_{CE(SAT)}$ Max (V)	$I_{C(ON)}$ Typ (mA)
PT91-21C	2.5x2.2x2.7	940	15/15	0.4	1.5
PT91-21C/TR10	2.5x2.2x2.7	940	15/15	0.4	1.5
PT91-21C/TR7	2.5x2.2x2.7	940	15/15	0.4	1.5

Infrared Receiver Module | IRM-Dip series



UNIT : mm

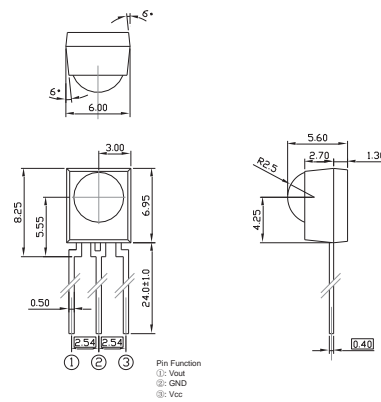


IRM-35xx

Product	Dimension (mm)	Supply Voltage(V)	Carrier Freq. (KHz)	Current Consumption Typ. (mA)	Reception Range Typ.(m)
IRM-35xxT	8.25x6.0x5.6	2.7~5.5	36/38	0.45	20
IRM-35xxJ15	8.25x6.0x5.6	2.7~5.5	36/38	0.23	20



UNIT : mm



IRM-36xx

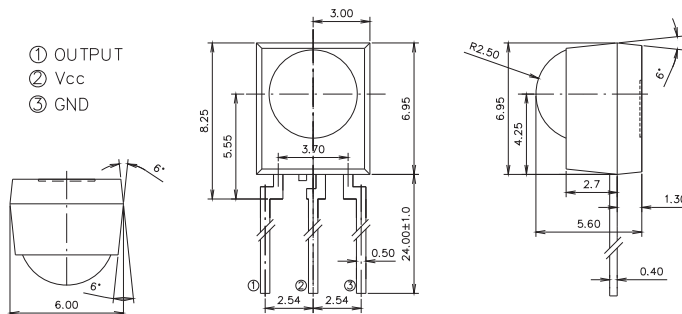
Product	Dimension (mm)	Supply Voltage(V)	Carrier Freq. (KHz)	Current Consumption Typ. (mA)	Reception Range Typ.(m)
IRM-36xxT	8.25x6.0x5.6	2.7~5.5	36/38	0.45	20
IRM-36xxM3	8.25x6.0x5.6	2.7~5.5	36/38/56	0.32	20
IRM-36xxJ2	8.25x6.0x5.6	2.7~5.5	36/38/40	0.4	20
IRM-36xxJ7	8.25x6.0x5.6	2.7~5.5	36/38/40	0.45	20
IRM-36xxJ8	8.25x6.0x5.6	2.7~5.5	36/38/40	0.4	20
IRM-36xxJ9	8.25x6.0x5.6	4.5~5.5	36/38/40	0.6	20
IRM-36xxJ11	8.25x6.0x5.6	2.7~5.5	36/38/56	0.5	20
IRM-36xxJF	8.25x6.0x5.6	2.7~5.5	38/56	0.48	15
IRM-36xxJ14	8.25x6.0x5.6	2.7~5.5	36/38	0.27	20
IRM-36xxJ15	8.25x6.0x5.6	2.7~5.5	36/38	0.23	20

Infrared Receiver Module

Infrared Receiver Module | IRM-Dip series



UNIT : mm



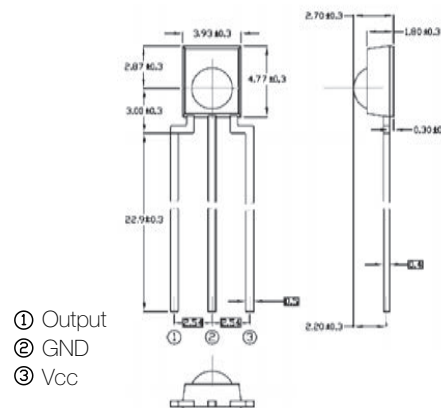
- ① OUTPUT
- ② Vcc
- ③ GND

IRM-37xx

Product	Dimension (mm)	Supply Voltage(V)	Carrier Freq. (KHz)	Current Consumption Typ. (mA)	Reception Range Typ.(m)
IRM-37xxT	8.25x6.0x5.6	2.7~5.5	36/38	0.45	20
IRM-37xxJ9	8.25x6.0x5.6	4.5~5.5	36/38/40	0.6	20



UNIT : mm



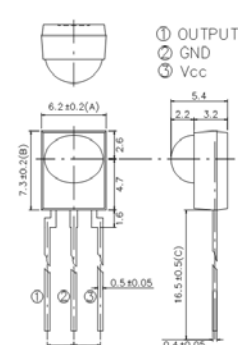
- ① Output
- ② GND
- ③ Vcc

IRM-66xx

Product	Dimension (mm)	Supply Voltage(V)	Carrier Freq. (KHz)	Current Consumption Typ. (mA)	Reception Range Typ.(m)
IRM-66xxT	5.87x3.93x2.7	2.7~5.5	36/38	0.45	14
IRM-66xxM3	5.87x3.93x2.7	2.7~5.5	36/38	0.32	14



UNIT : mm

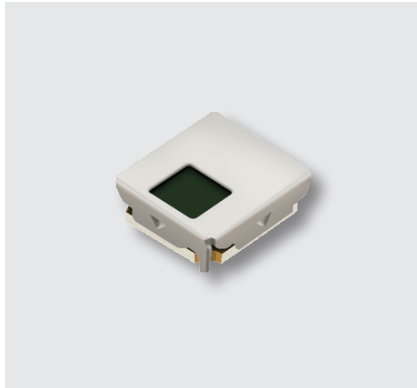


- ① OUTPUT
- ② GND
- ③ Vcc

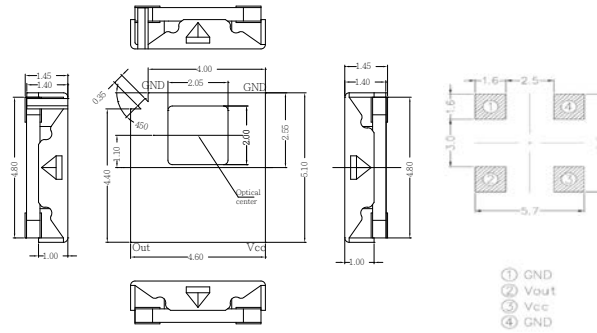
IRM-86xx

Product	Dimension (mm)	Supply Voltage(V)	Carrier Freq. (KHz)	Current Consumption Typ. (mA)	Reception Range Typ.(m)
IRM-8601M2	8.9x6.2x5.4	2.7~5.5	38	0.4	14
IRM-8601J10	8.9x6.2x5.4	3.3~5.5	38	0.45	14
IRM-8601JF	8.9x6.2x5.4	2.7~5.5	38	0.48	8

Infrared Receiver Module | IRM-SMD series



UNIT : mm



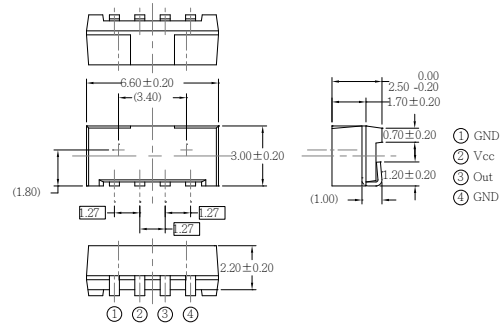
- ① GND
- ② Vout
- ③ Vcc
- ④ GND

IRM-H2xx

Product	Dimension (mm)	Supply Voltage(V)	Carrier Freq. (KHz)	Current Consumption Typ. (mA)	Reception Range Typ.(m)
IRM-H2xxT/TR2	4.6x5.1x1.45	2.7~5.5	36/38	0.4	8
IRM-H2xxJ2/TR2	4.6x5.1x1.45	2.7~5.5	36/38/40	0.4	8



UNIT : mm



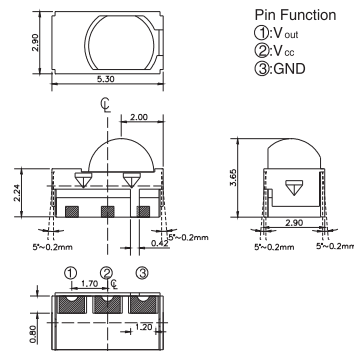
- ① GND
- ② Vcc
- ③ Out
- ④ GND

IRM-H3xx

Product	Dimension (mm)	Supply Voltage(V)	Carrier Freq. (KHz)	Current Consumption Typ. (mA)	Reception Range Typ.(m)
IRM-H3xxM3/TR2	6.6x3.0x2.5	2.7~5.5	36/38	0.4	8
IRM-H3xxJ14/TR2	6.6x3.0x2.5	2.7~5.5	36/38	0.27	20



UNIT : mm



- Pin Function
- ①: V out
 - ②: Vcc
 - ③: GND

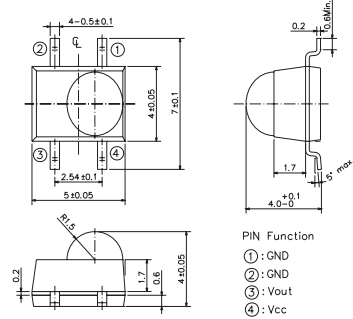
IRM-H5xx

Product	Dimension (mm)	Supply Voltage(V)	Carrier Freq. (KHz)	Current Consumption Typ. (mA)	Reception Range Typ.(m)
IRM-H5xxT/TR2	5.3x2.9x3.65	2.7~5.5	36/38	0.4	8
IRM-H5xxM3/TR2	5.3x2.9x3.65	2.7~5.5	36/38	0.4	8
IRM-H5xxJ15/TR2	5.3x2.9x3.65	2.7~5.5	36/38	0.23	20

Infrared Receiver Module | IRM-SMD series



UNIT : mm

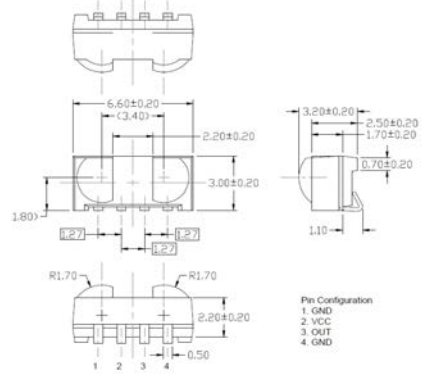


IRM-H6xx

Product	Dimension (mm)	Supply Voltage(V)	Carrier Freq. (KHz)	Current Consumption Typ. (mA)	Reception Range Typ.(m)
IRM-H6xxT/TR2	5.0x4.0x4.0	2.7~5.5	36/38	0.4	8
IRM-H6xxJ7/TR2	5.0x4.0x4.0	2.7~5.5	36/38	0.5	8
IRM-H6xxJ15/TR2	5.0x4.0x4.0	2.7~5.5	36/38	0.23	20

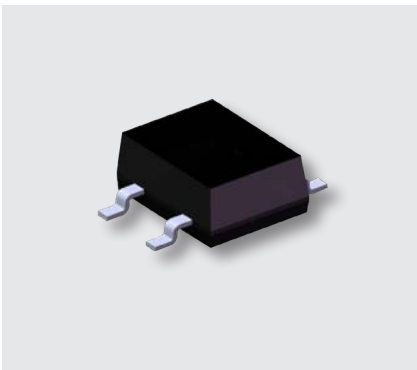


UNIT : mm

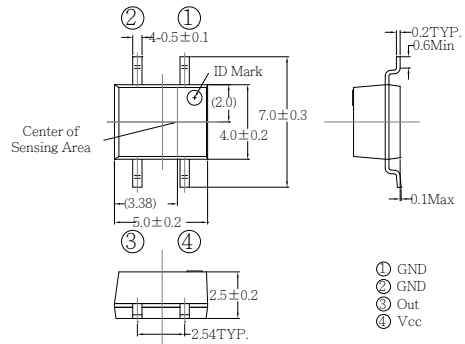


IRM-H8xx-C

Product	Dimension (mm)	Supply Voltage(V)	Carrier Freq. (KHz)	Current Consumption Typ. (mA)	Reception Range Typ.(m)
IRM-H8xxJ14-C/TR2	6.6x3.0x3.2	2.7~5.5	36/38	0.27	20
IRM-H8xxJ15-C/TR2	6.6x3.0x3.2	2.7~5.5	36/38	0.23	20



UNIT : mm



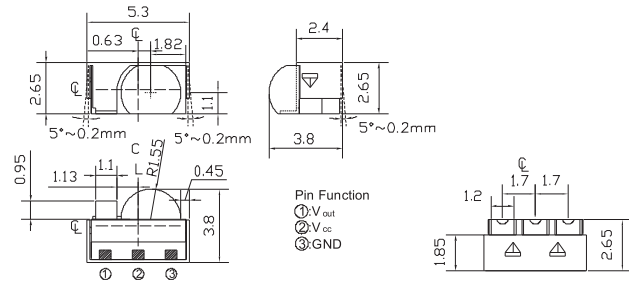
IRM-H9xx

Product	Dimension (mm)	Supply Voltage(V)	Carrier Freq. (KHz)	Current Consumption Typ. (mA)	Reception Range Typ.(m)
IRM-H9xxT/TR2	5.0x4.0x2.5	2.7~5.5	36/38	0.4	8
IRM-H9xxM3/TR2	5.0x4.0x2.5	2.7~5.5	36/38	0.4	8
IRM-H9xxJ15/TR2	5.0x4.0x2.5	2.7~5.5	36/38	0.23	20

Infrared Receiver Module | IRM-SMD series



UNIT : mm



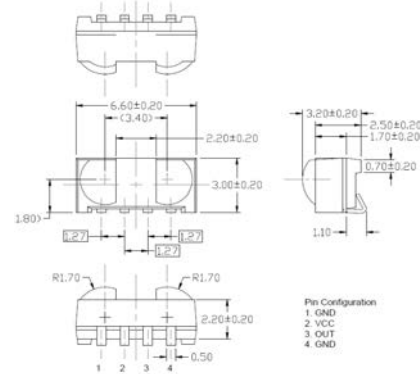
IRM-V5xx

Product	Dimension (mm)	Supply Voltage(V)	Carrier Freq. (KHz)	Current Consumption Typ. (mA)	Reception Range Typ.(m)
IRM-V5xxT/TR1	5.3x3.8x2.65	2.7~5.5	36/38	0.4	8
IRM-V5xxM3/TR1	5.3x3.8x2.65	2.7~5.5	36/38	0.4	8
IRM-V5xxJ14/TR1	5.3x3.8x2.65	2.7~5.5	36/38	0.27	20
IRM-V5xxJ15/TR1	5.3x3.8x2.65	2.7~5.5	36/38	0.23	20

Infrared Receiver Module



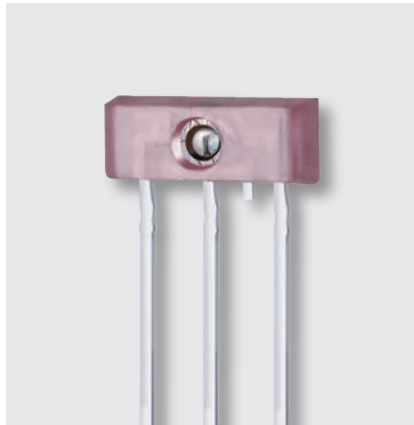
UNIT : mm



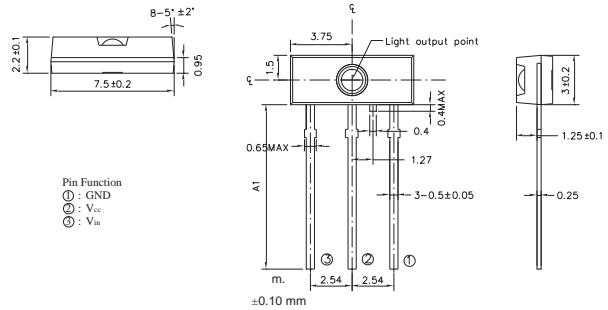
IRM-V8xx-C

Product	Dimension (mm)	Supply Voltage(V)	Carrier Freq. (KHz)	Current Consumption Typ. (mA)	Reception Range Typ.(m)
IRM-V8xxJ14-C/TR1	6.6x3.0x3.2	2.7~5.5	36/38	0.27	20
IRM-V8xxJ15-C/TR1	6.6x3.0x3.2	2.7~5.5	36/38	0.23	20

Optic-Fiber Device (Photo Link) | Transmitter (PLT) Component



UNIT : mm

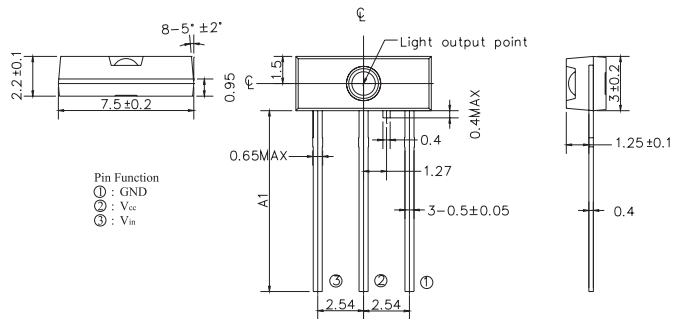


Product	Dimension (mm)	Fiber Coupling Receiver Power_Max (dBm)	Fiber Coupling Receiver Power_Min (dBm)	Operation Voltage(V)	Trans - mission Speed (Mb/s)	L/F Thicknes(mm)
PLT237	7.5x3.0x2.2	-14	-27	2.4-5.5	25	0.25
PLR137	7.5x3.0x2.2	-14	-27	2.4-5.5	16	0.25

Optic-Fiber Device (Photo Link)



UNIT : mm

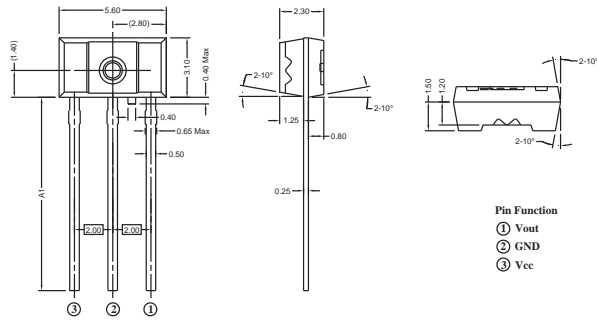


Product	Dimension (mm)	Fiber Coupling Receiver Power_Max (dBm)	Fiber Coupling Receiver Power_Min (dBm)	Operation Voltage(V)	Trans - mission Speed (Mb/s)	L/F Thicknes(mm)
PLT232/L5	7.5x3.0x2.2	-15	-21	3-5	25	0.4

Optic-Fiber Device (Photo Link) | Receiver (PLR) Component

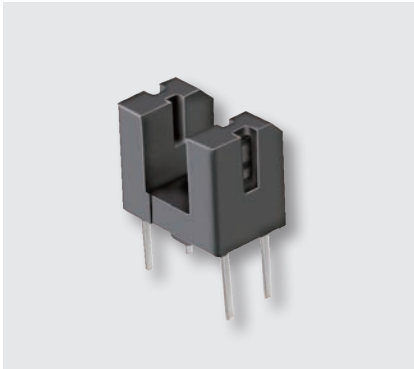


UNIT : mm

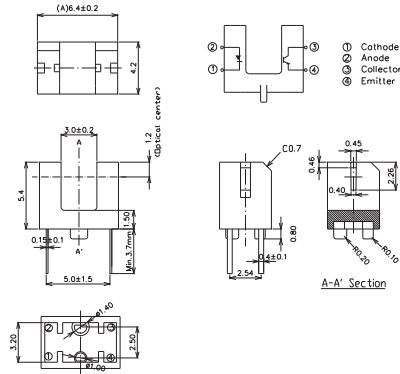


Product	Dimension (mm)	Fiber Coupling Receiver Power_Max (dBm)	Fiber Coupling Receiver Power_Min (dBm)	Operation Voltage(V)	Trans - mission Speed (Mb/s)	L/F Thicknes(mm)
PLR162	5.6x3.1x2.3	-14	-27	2.4~5.5	16	0.25

Optical Switch | Transmissive Type



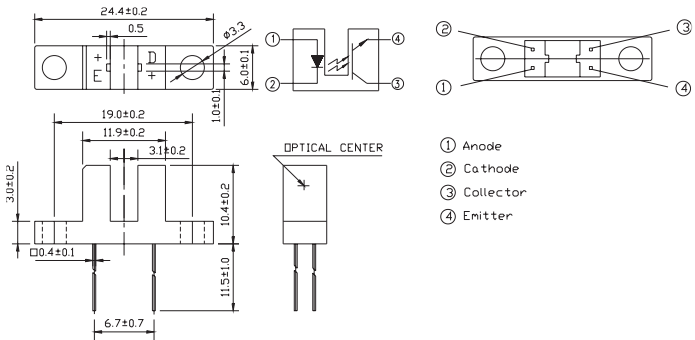
UNIT : mm



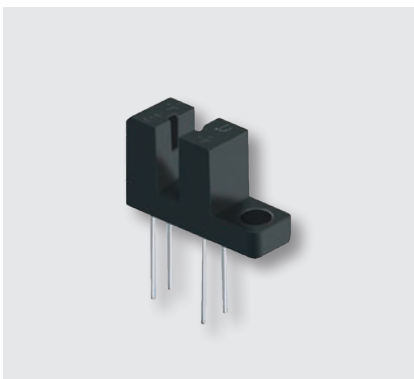
Product	Dimension (mm)	V _{F_Typ} (V)	V _{F_Max} (V)	V _{CE(SAT)_Max} (V)	I _{C(ON)_Min} (mA)	Gap Distance (mm)	I _{CEO_Max.} (nA)
ITR20403	6.4x4.2x5.4	1.2	1.6	0.4	0.2	3	100



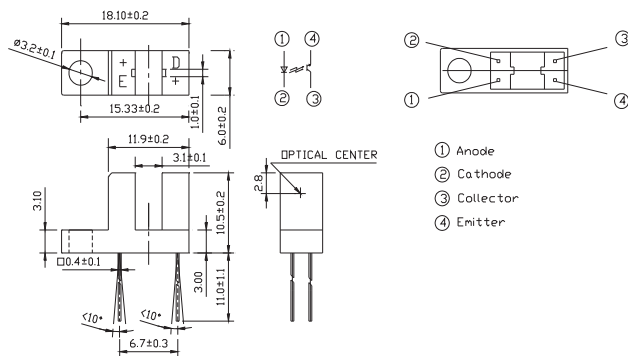
UNIT : mm



Product	Dimension (mm)	V _{F_Typ} (V)	V _{F_Max} (V)	V _{CE(SAT)_Max} (V)	I _{C(ON)_Min} (mA)	Gap Distance (mm)	I _{CEO_Max.} (nA)
ITR8102	24.4x6.0x10.4	1.2	1.5	0.4	0.9	3	100

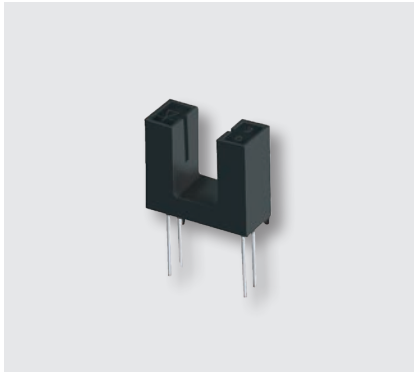


UNIT : mm

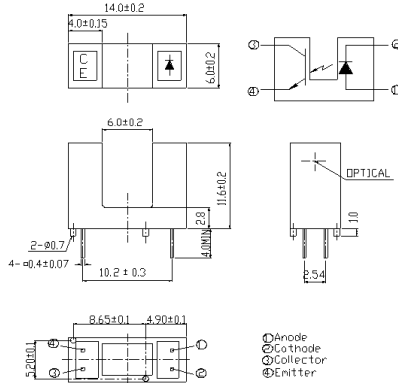


Product	Dimension (mm)	V _{F_Typ} (V)	V _{F_Max} (V)	V _{CE(SAT)_Max} (V)	I _{C(ON)_Min} (mA)	Gap Distance (mm)	I _{CEO_Max.} (nA)
ITR8104	18.1x6.0x10.5	1.2	1.5	0.4	0.9	3.1	100

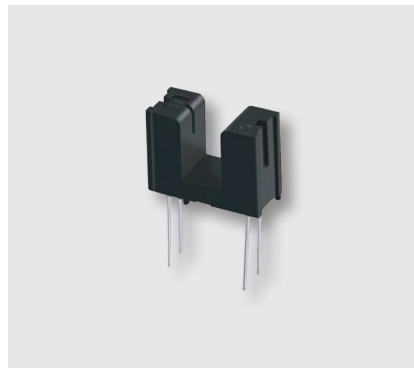
Optical Switch | Transmissive Type



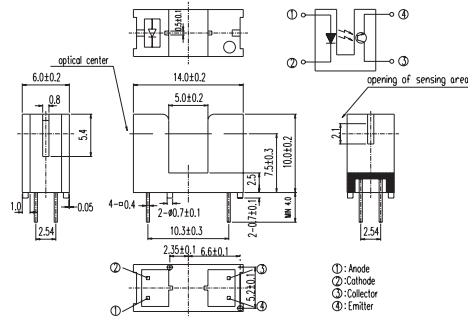
UNIT : mm



Product	Dimension (mm)	V _{F_Typ} (V)	V _{F_Max} (V)	V _{CE(SAT)_Max} (V)	I _{C(ON)_Min} (mA)	Gap Distance (mm)	I _{CEO_Max.} (nA)
ITR8402-F-A	14.0x6.0x11.6	1.2	1.5	0.4	0.5	6	100



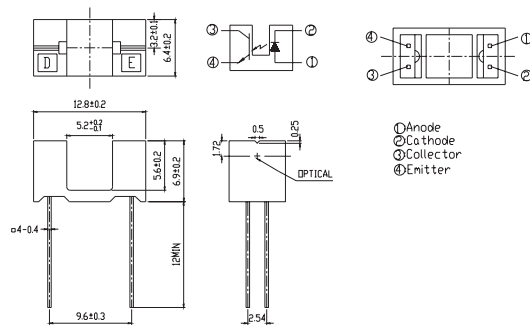
UNIT : mm



Product	Dimension (mm)	V _{F_Typ} (V)	V _{F_Max} (V)	V _{CE(SAT)_Max} (V)	I _{C(ON)_Min} (mA)	Gap Distance (mm)	I _{CEO_Max.} (nA)
ITR9606-F	14.0x6.0x10.0	1.2	1.5	0.4	0.5	5	100



UNIT : mm

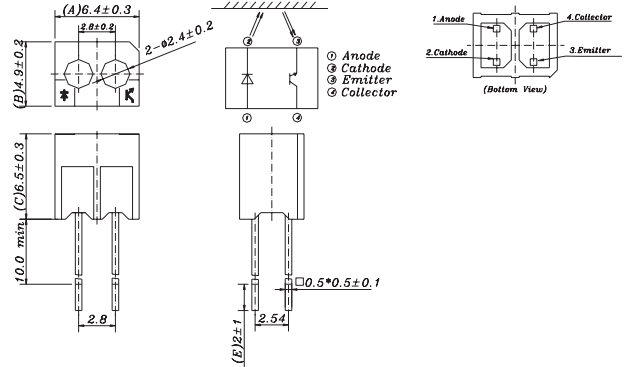


Product	Dimension (mm)	V _{F_Typ} (V)	V _{F_Max} (V)	V _{CE(SAT)_Max} (V)	I _{C(ON)_Min} (mA)	Gap Distance (mm)	I _{CEO_Max.} (nA)
ITR9707	12.8x6.4x6.9	1.2	1.5	0.4	0.5	5.2	100

Optical Switch | Reflective Type



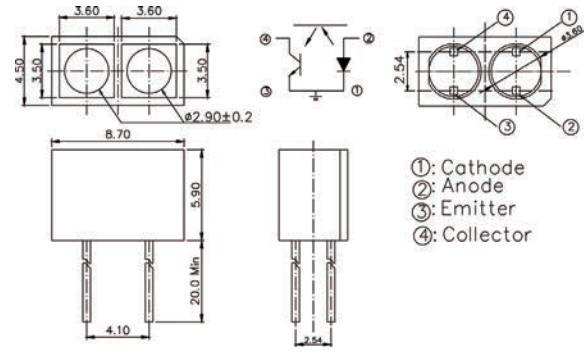
UNIT : mm



Product	Dimension (mm)	V _{F_Typ} (V)	V _{F_Max} (V)	V _{CE(SAT)_Max} (V)	I _{C(ON)_Min} (mA)	Gap Distance (mm)	I _{CEO_Max.} (nA)
ITR20001/T	6.4x4.9x6.5	1.2	1.5	0.4	0.2	100	100



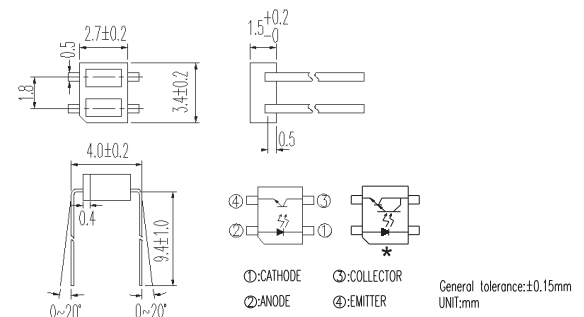
UNIT : mm



Product	Dimension (mm)	V _{F_Typ} (V)	V _{F_Max} (V)	V _{CE(SAT)_Max} (V)	I _{C(ON)_Min} (mA)	Gap Distance (mm)	I _{CEO_Max.} (nA)
ITR9909	8.7x4.5x5.9	1.2	1.5	0.4	0.2	100	100

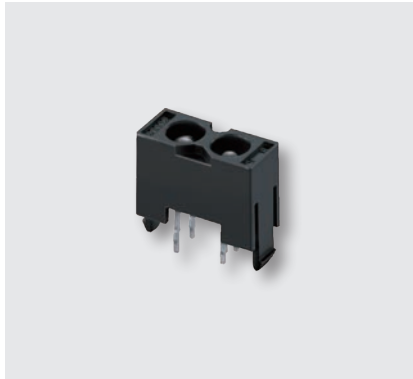


UNIT : mm

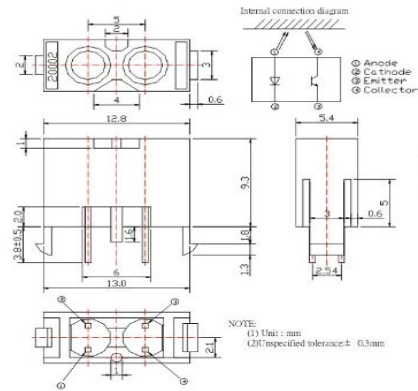


Product	Dimension (mm)	V _{F_Typ} (V)	V _{F_Max} (V)	V _{CE(SAT)_Max} (V)	I _{C(ON)_Min} (mA)	Gap Distance (mm)	I _{CEO_Max.} (nA)
ITR8307/F43	3.4x2.7x1.5	1.2	1.6	N/A	0.1	100	100
ITR8307/L24/F43	3.4x2.7x1.5	1.2	1.6	N/A	0.5	100	100

Optical Switch | Reflective Type



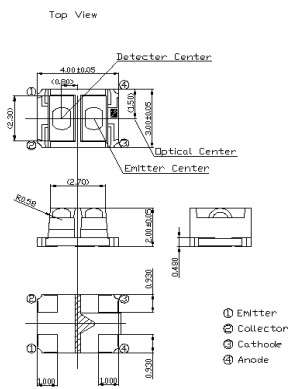
UNIT : mm



Product	Dimension (mm)	V _{F_Typ} (V)	V _{F_Max} (V)	V _{CE(SAT)_Max} (V)	I _{C(ON)_Min} (mA)	Gap Distance (mm)	I _{CEO_Max.} (nA)
ITR20002	12.8x5.5x9.3	1.2	1.5	0.4	0.04	100	100



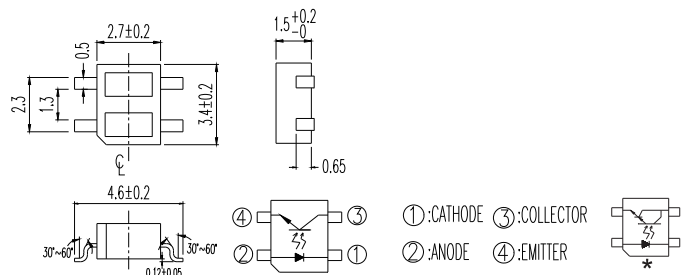
UNIT : mm



Product	Dimension (mm)	V _{F_Typ} (V)	V _{F_Max} (V)	V _{CE(SAT)_Max} (V)	I _{C(ON)_Min} (mA)	Gap Distance (mm)	I _{CEO_Max.} (nA)
ITR1502SR40A/TR8	4.0x3.0x2.0	1.2	1.4	N/A	0.06	100	100

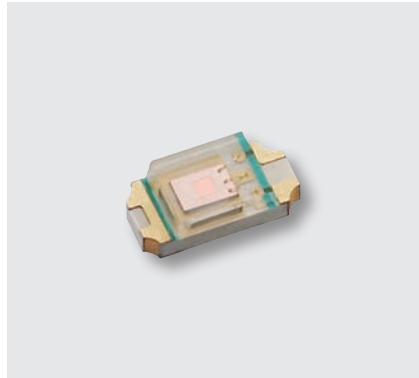


UNIT : mm

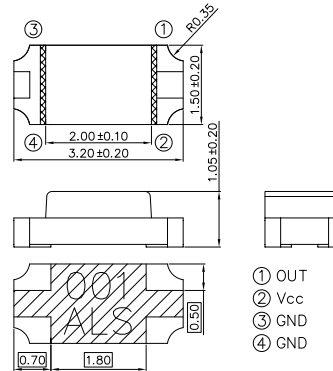


Product	Dimension (mm)	V _{F_Typ} (V)	V _{F_Max} (V)	V _{CE(SAT)_Max} (V)	I _{C(ON)_Min} (mA)	Gap Distance (mm)	I _{CEO_Max.} (nA)
ITR8307/TR8	4.6x3.4x1.5	1.2	1.6	0.4	0.1	100	100
ITR8307/L24/TR8	4.6x3.4x1.5	1.2	1.6	1	0.5	100	100

Optical Sensors | Ambient Light Sensor | Analog



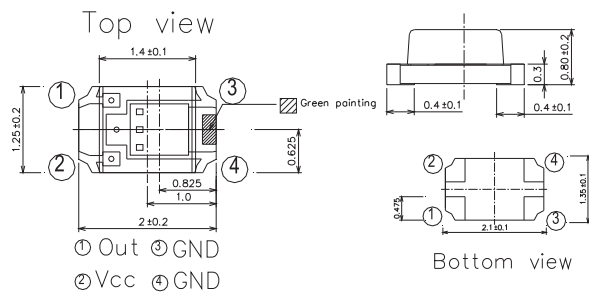
UNIT : mm



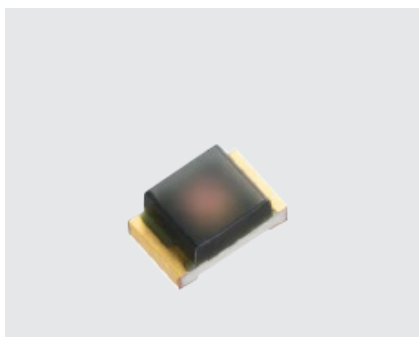
Product	Dimension (mm)	Supply Voltage, Vdd(V)	Peak Sensitivity Wavelength, λp(nm)	Photo current Ev=100lux, Iph(μA)	Max. Dark Current, ID_Max (μA)
ALS-PDIC15-21C/L230/TR8	3.2x1.5x1.1	2.5~5.5	590	36~95	0.1



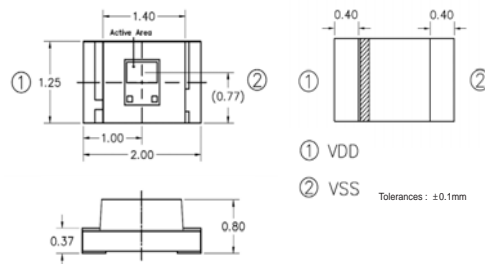
UNIT : mm



Product	Dimension (mm)	Supply Voltage, Vdd(V)	Peak Sensitivity Wavelength, λp(nm)	Photo current Ev=100lux, Iph(μA)	Max. Dark Current, ID_Max (μA)
ALS-PDIC17-55C/TR8	2x1.25x0.8	1.8~5.5	590	27~54	0.1



UNIT : mm

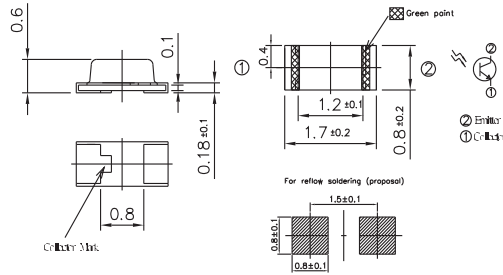


Product	Dimension (mm)	Supply Voltage, Vdd(V)	Peak Sensitivity Wavelength, λp(nm)	Photo current Ev=100lux, Iph(μA)	Max. Dark Current, ID_Max (μA)
ALS-PDIC17-51B/L758/TR8	2x1.25x0.8	2~5.5	570	29~55	0.03

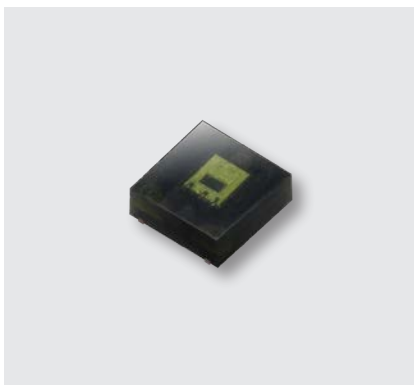
Optical Sensors | Ambient Light Sensor | Analog



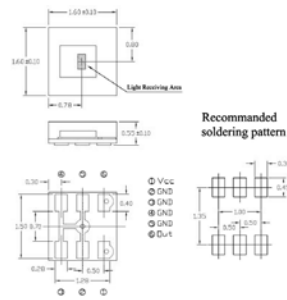
UNIT : mm



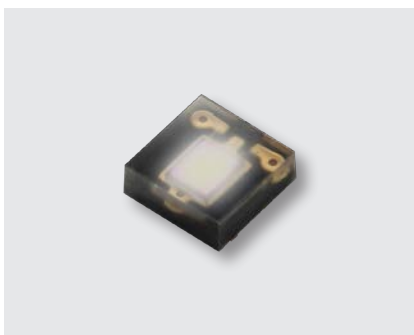
Product	Dimension (mm)	Supply Voltage, V _{dd} (V)	Peak Sensitivity Wavelength, λ _p (nm)	Photo current Ev=100lux, I _{ph} (μA)	Max. Dark Current, I _{D_Max} (μA)
ALS-PT19-315C/L177/TR8	1.7x0.8x0.6	2.5~5.5	630	15	0.1



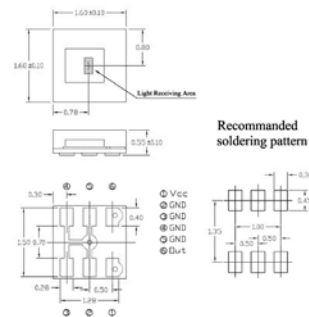
UNIT : mm



Product	Dimension (mm)	Supply Voltage, V _{dd} (V)	Peak Sensitivity Wavelength, λ _p (nm)	Photo current Ev=100lux, I _{ph} (μA)	Max. Dark Current, I _{D_Max} (μA)
ALS-PDIC17-77B/TR8	1.6x1.6x0.55	1.8~5.5	580	40~80	0.1

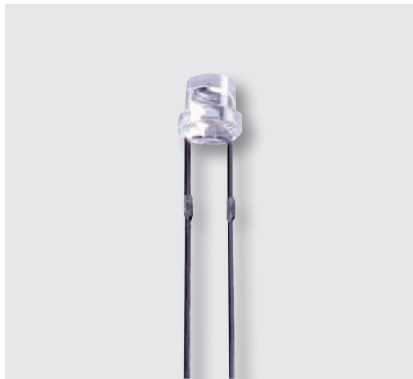


UNIT : mm

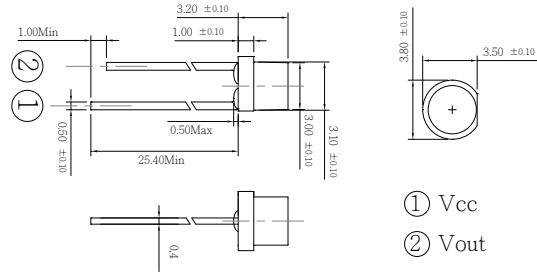


Product	Dimension (mm)	Supply Voltage, V _{dd} (V)	Peak Sensitivity Wavelength, λ _p (nm)	Photo current Ev=100lux, I _{ph} (μA)	Max. Dark Current, I _{D_Max} (μA)
ALS-PDIC17-77C/TR8	1.6x1.6x0.55	1.8~5.5	550	27~54	0.1

Optical Sensors | Ambient Light Sensor | Analog

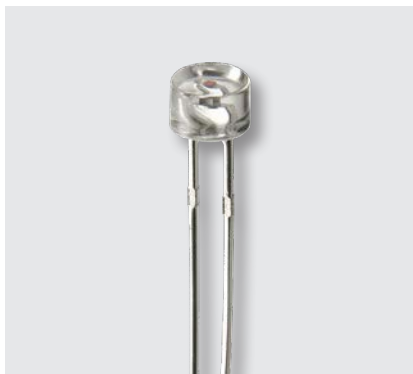


UNIT : mm

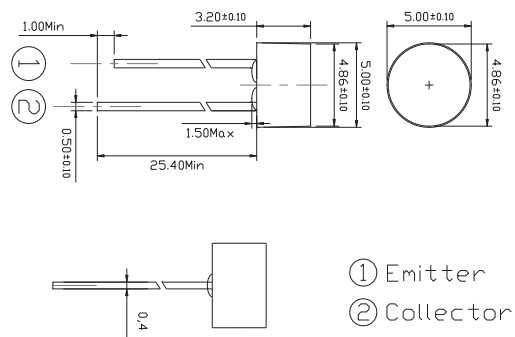


Product	Dimension (mm)	Supply Voltage, V _{dd} (V)	Peak Sensitivity Wavelength, λ _p (nm)	Photo current E _v =100lux, I _{ph} (μA)	Max. Dark Current, I _{D_Max} (μA)
ALS-PDIC144-6C/L378	3.8x3.5x3.2	1.8~5.5	550	22~44	0.1
ALS-PDT144-6C/L451	3.8x3.5x3.2	3~24	790	280~700	0.1

Optical Sensors

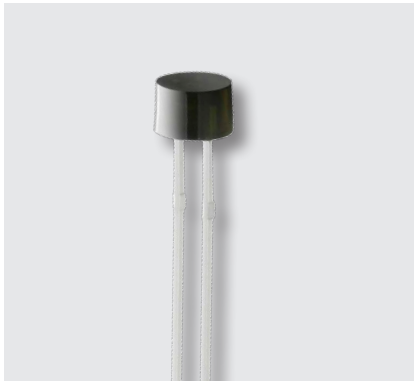


UNIT : mm

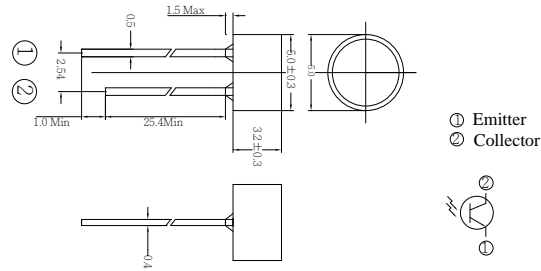


Product	Dimension (mm)	Supply Voltage, V _{dd} (V)	Peak Sensitivity Wavelength, λ _p (nm)	Photo current E _v =100lux, I _{ph} (μA)	Max. Dark Current, I _{D_Max} (μA)
ALS-PDT243-3C/L451	5.0x5.0x3.2	3~24	790	285~720	0.1

Optical Sensors | Ambient Light Sensor | Analog

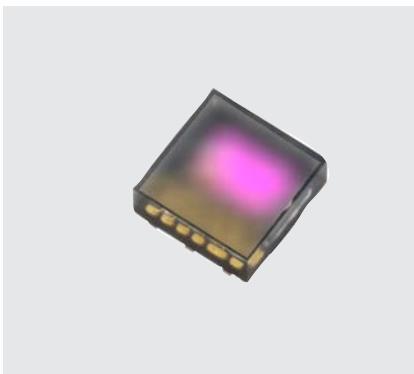


UNIT : mm

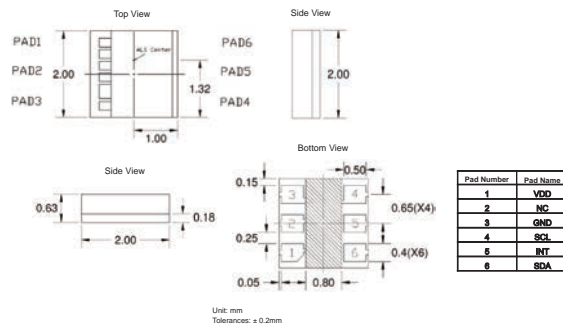


Product	Dimension (mm)	Supply Voltage, Vdd(V)	Peak Sensitivity Wavelength, λp(nm)	Photo current Ev=100lux, Iph(μA)	Max. Dark Current, ID_Max (μA)
ALS-PDIC243-3B	5.0x5.0x3.2	1.8~5.5	560	10~35	0.1
ALS-PDIC243-3B/L716	5.0x5.0x3.2	2~5.5	560	7~24	0.05

Optical Sensors | Ambient Light Sensor | Digital



UNIT : mm

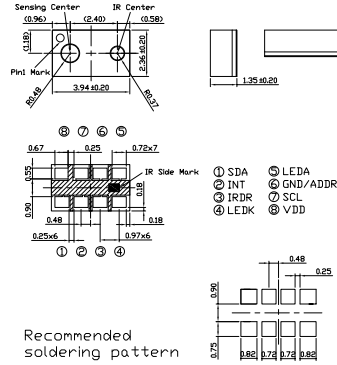


Product	Dimension (mm)	Supply Voltage, Vdd(V)	Supply Current, Idd(uA)	Peak Sensitivity Wavelength, λp(nm)	ALS Photo output Ev=100lux (count)	ALS Dark output (count)	ADC Resolution (bit)	Maximum Detection (lux)	Lux Resolution (lux)
ALS-DPIC17-78C/L749/TR8	2.00 x 2.00 x 0.63	2.4 ~ 3.6	160	550	CH0 2300 CH1 3100	1	10~16 bit	83000	0.0033

Optical Sensors | Proximity Sensor | Digital



UNIT : mm

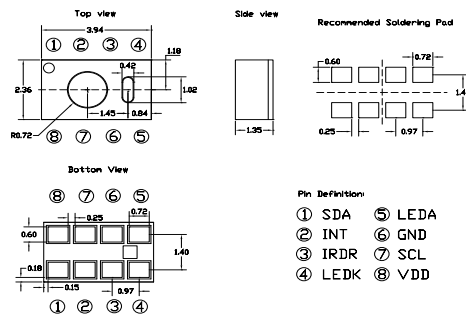


Product	Dimension (mm)	Supply Voltage, Vdd(V)	Supply Current, Idd(uA)	Peak Sensitivity Wavelength, λp(nm)	ALS Photo output Ev=100lux (count)	ALS Dark output (count)	ADC Resolution (bit)	Maximum Detection (lux)	Lux Resolution (lux)	Detection Range	PS ADC Resolution	Emitting Wavelength (nm)
APM-16D24 -U6E-DF8/TR8	3.94x2.36x1.35 Pitch: 2.4mm	2.4 ~ 3.6	DD_ON = 160 / DD_OFF = 2.5	550	CH0 1250 CH1 1440 Ev=100lx, ALS gain 4x, Tint 170ms	1	10-16 bit	20700	0.0033	up to 10cm	8-12 bit	940nm

Optical Sensors



UNIT : mm

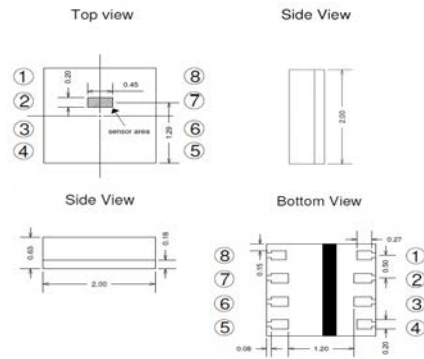


Product	Dimension (mm)	Supply Voltage, Vdd(V)	Supply Current, Idd(uA)	Peak Sensitivity Wavelength, λp(nm)	ALS Photo output Ev=100lux (count)	ALS Dark output (count)	ADC Resolution (bit)	Maximum Detection (lux)	Lux Resolution (lux)	Detection Range	PS ADC Resolution	Emitting Wavelength (nm)
APM-16D24 -310-DF8/TR8	3.94x2.36x1.35 Pitch: 1.45mm	2.4 ~ 3.6	DD_ON = 260 DD_OFF = 2.5	550	CH0 3340 CH1 4360 Ev=100lx, ALS gain32x, Tint 170ms	1	10-16 bit	57000	0.0023	up to 10cm	8-12 bit	940nm

Optical Sensors | Color Sensor | Digital



UNIT : mm

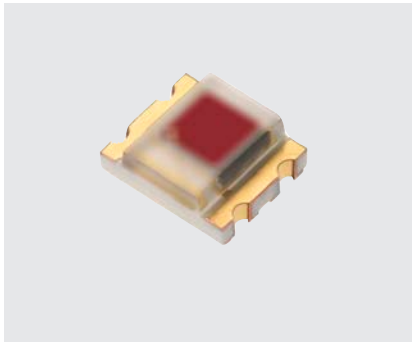


Pad Number	Pad Name
1	NC
2	VDD
3	GND
4	NC
5	SCL
6	SDA
7	INT
8	NC

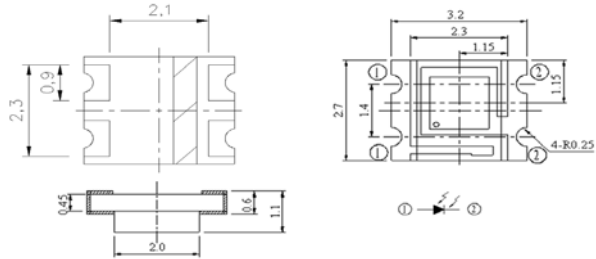
Product	Dimension (mm)	Supply Voltage, Vdd(V)	Supply Current, Id(uA)	Peak Sensitivity Wavelength, λp(nm)	CLS Photo output Ie=20uW/cm2 (count)	CLS Dark output (count)	ADC Resolution (bit)	Maximum Detection (lux)
CLS-16D24-44-DF8/TR8	2.00 x 2.00 x 0.63	2.4 ~ 3.6	DD_ON = 210 DD_OFF = 2.5	R 610nm G 550nm B 470nm IR W	CH_Red 1500 CH_Green 3300 CH_Blue 2100 DIOD_SELT =2, PGA_CLS =x 96 INT_TIME=16 T CLSCONV=6 INT_TIME"	1	10-16	204679

Optical Sensors

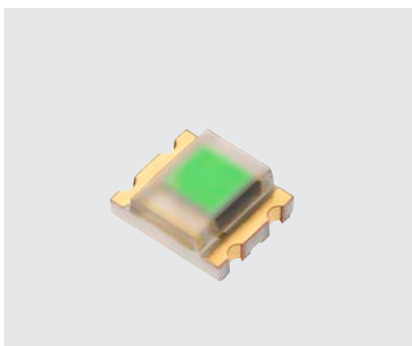
Optical Sensors | Color Sensor | Analog



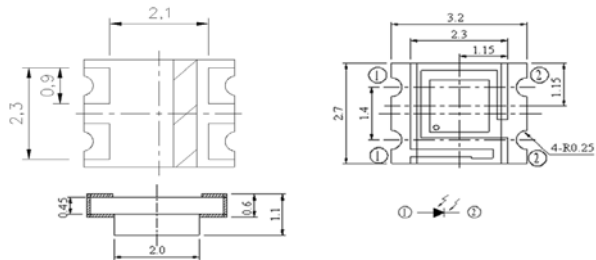
UNIT : mm



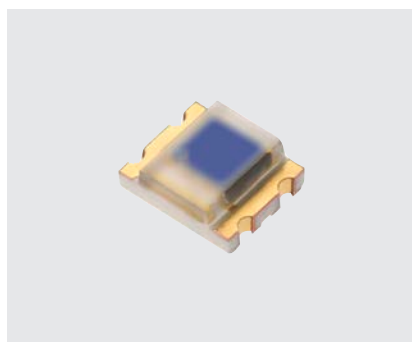
Product	Dimension (mm)	Supply Voltage, V _{dd} (V)	Peak Sensitivity Wavelength, λ _p (nm)	Reverse light current (E _e =100lux), I _L (uA)
CLS15-22C/L213R/TR8	3.2x2.7x1.1	0.5~1.3	620	0.091



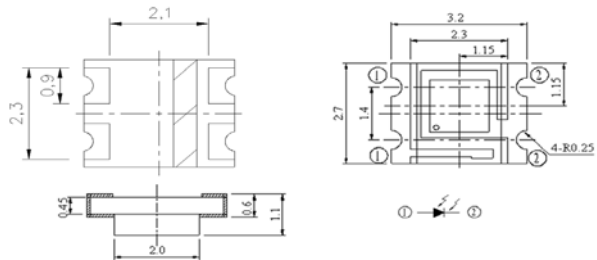
UNIT : mm



Product	Dimension (mm)	Supply Voltage, V _{dd} (V)	Peak Sensitivity Wavelength, λ _p (nm)	Reverse light current (E _e =100lux), I _L (uA)
CLS15-22C/L213G/TR8	3.2x2.7x1.1	0.5~1.3	550	0.082



UNIT : mm

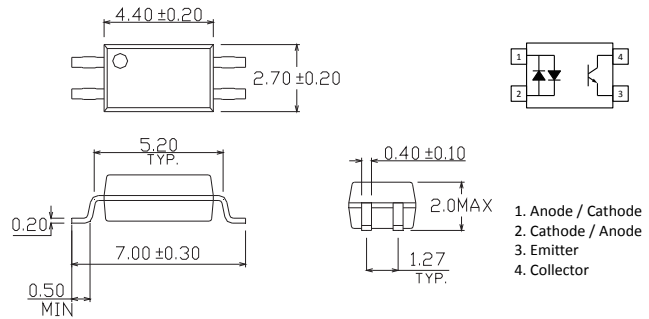


Product	Dimension (mm)	Supply Voltage, V _{dd} (V)	Peak Sensitivity Wavelength, λ _p (nm)	Reverse light current (E _e =100lux), I _L (uA)
CLS15-22C/L213B/TR8	3.2x2.7x1.1	0.5~1.3	470	0.046

Photo Coupler | Photo Transistor | 4pin SSOP-AC



UNIT : mm

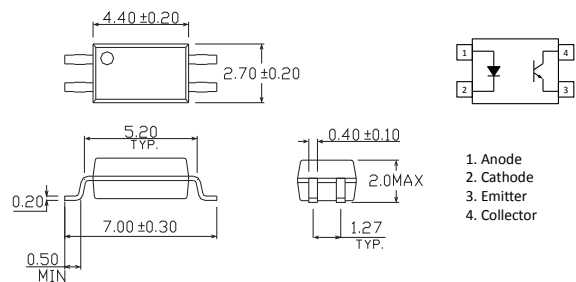


Product	Size (LxWxHmm)	Number of Channels	V _F (V)	BV _{CEO} (Min) (V)	V _{CE(SAT)} (Max) (V)	I _F (mA)	CTR (%)	tr (uS)	tf (uS)	Topr (Min) (degC)	Topr (Max) (degC)	Viso (V _{rms})
EL3H4-G	4.4x2.7x2	1	1.2	80	0.2	±1	20~300	6	8	-55	100	3750

Photo Coupler | Photo Transistor | 4Pin SSOP-DC



UNIT : mm

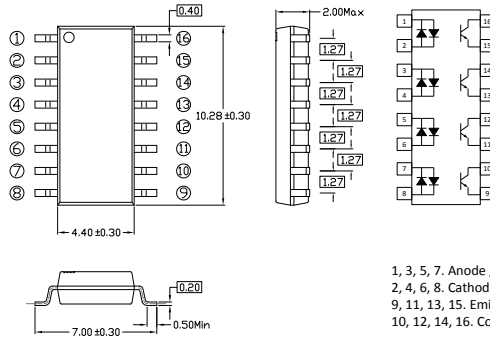


Product	Size (LxWxHmm)	Number of Channels	V _F (V)	BV _{CEO} (Min) (V)	V _{CE(SAT)} (Max) (V)	I _F (mA)	CTR (%)	tr (uS)	tf (uS)	Topr (Min) (degC)	Topr (Max) (degC)	Viso (V _{rms})
EL3H7-G	4.4x2.7x2	1	1.2	80	0.2	5	50~600	5	3	-55	110	3750
EL3H7L-G	4.4x2.7x2	1	1.3	80	0.3	0.1	50~600	8	12	-55	110	3750
EL3H7H-G	4.4x2.7x2	1	1.2	80	0.3	5	50~600	6	8	-55	125	3750
EL3H7U-G	4.4x2.7x2	1	1.3	60	0.4	0.5	50~600	8	10	-40	125	3750

Photo Coupler | Photo Transistor | 16pin SSOP-AC



UNIT : mm



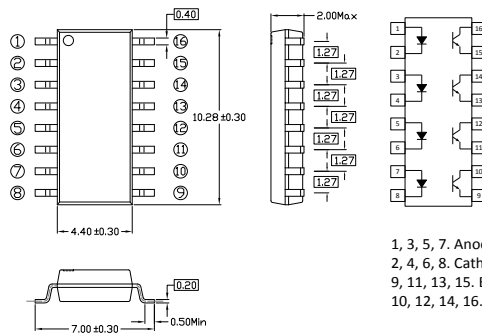
1, 3, 5, 7. Anode / Cathode
2, 4, 6, 8. Cathode / Anode
9, 11, 13, 15. Emitter
10, 12, 14, 16. Collector

Product	Size (LxWxHmm)	Number of Channels	V _F (V)	BV _{CEO} (Min) (V)	V _{CE(SAT)} (Max) (V)	I _F (mA)	CTR (%)	tr (uS)	tf (uS)	To _{pr} (Min) (degC)	To _{pr} (Max) (degC)	Viso (V _{rms})
ELQ3H4-G	10.28x4.4x2	4	1.2	80	0.2	±1	20~300	5	3	-55	110	3750

Photo Coupler | Photo Transistor | 16Pin SSOP-DC



UNIT : mm



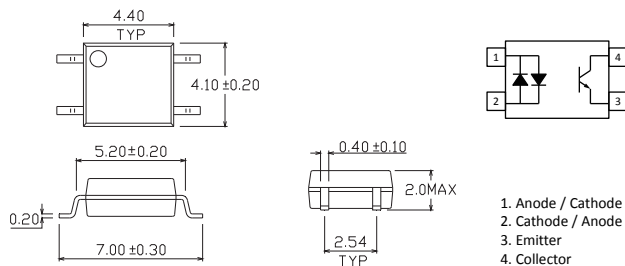
1, 3, 5, 7. Anode
2, 4, 6, 8. Cathode
9, 11, 13, 15. Emitter
10, 12, 14, 16. Collector

Product	Size (LxWxHmm)	Number of Channels	V _F (V)	BV _{CEO} (Min) (V)	V _{CE(SAT)} (Max) (V)	I _F (mA)	CTR (%)	tr (uS)	tf (uS)	To _{pr} (Min) (degC)	To _{pr} (Max) (degC)	Viso (V _{rms})
ELQ3H7-G	10.28x4.4x2	4	1.2	80	0.2	5	50~600	5	3	-55	110	3750

Photo Coupler | Photo Transistor | 4pin SOP-AC



UNIT : mm



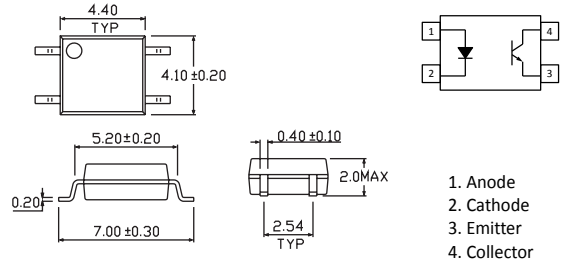
1. Anode / Cathode
2. Cathode / Anode
3. Emitter
4. Collector

Product	Size (LxWxHmm)	Number of Channels	V _F (V)	BV _{CEO} (Min) (V)	V _{CE(SAT)} (Max) (V)	I _F (mA)	CTR (%)	tr (uS)	tf (uS)	To _{pr} (Min) (degC)	To _{pr} (Max) (degC)	Viso (V _{rms})
EL354N-G	4.4x4.1x2	1	1.2	80	0.2	±1	20~300	6	8	-55	100	3750

Photo Coupler | Photo Transistor | 4pin SOP-DC



UNIT : mm

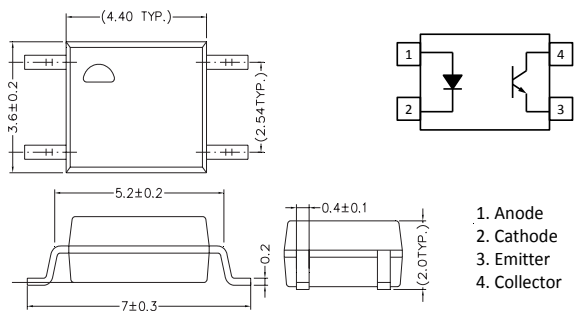


- 1. Anode
- 2. Cathode
- 3. Emitter
- 4. Collector

Product	Size (LxWxHmm)	Number of Channels	V _F (V)	BV _{CEO} (Min) (V)	V _{CE(SAT)} (Max) (V)	I _F (mA)	CTR (%)	tr (uS)	tf (uS)	Topr (Min) (degC)	Topr (Max) (degC)	Viso (V _{rms})
EL357N-G	4.4x4.1x2	1	1.2	80	0.2	5	50~600	3	4	-55	110	3750
EL357NL-G	4.4x4.1x2	1	1.3	80	0.3	0.1	50~600	8	12	-55	110	3750
EL357NH-G	4.4x4.1x2	1	1.2	80	0.3	5	50~600	6	8	-55	125	3750
EL357NU-G	4.4x4.1x2	1	1.3	60	0.35	0.5	50~600	3	4	-40	125	3750



UNIT : mm



- 1. Anode
- 2. Cathode
- 3. Emitter
- 4. Collector

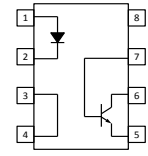
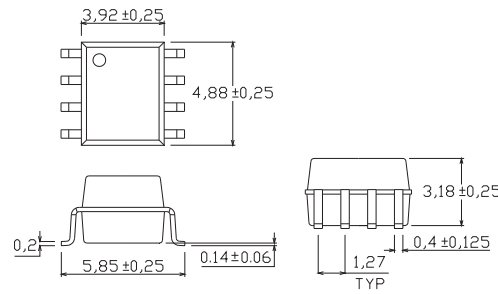
Product	Size (LxWxHmm)	Number of Channels	V _F (V)	BV _{CEO} (Min) (V)	V _{CE(SAT)} (Max) (V)	I _F (mA)	CTR (%)	tr (uS)	tf (uS)	Topr (Min) (degC)	Topr (Max) (degC)	Viso (V _{rms})
EL121N	4.4x3.6x2	1	1.2	80	0.2	5	50~400	6	8	-55	110	3750

Photo Coupler

Photo Coupler | Photo Transistor | 8pin SOP-DC



UNIT : mm



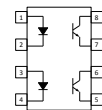
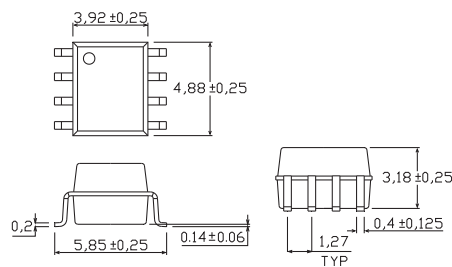
- 1. Anode
- 2. Cathode
- 3. No Connection
- 4. No Connection
- 5. Emitter
- 6. Collector
- 7. Base
- 8. No Connection

Product	Size (LxWxHmm)	Number of Channels	V _F (V)	BV _{CEO} (Min) (V)	V _{CE(SAT)} (Max) (V)	I _F (mA)	CTR (%)	tr (uS)	tf (uS)	ton (uS)	toff (uS)	Topr (Min) (degC)	Topr (Max) (degC)	Viso (V _{rms})
EL205	4.88x3.92x3.18	1	1.3	80	0.4	10	40-80	1.6	2.2	3	3	-55	110	3750
EL206	4.88x3.92x3.18	1	1.3	80	0.4	10	63-125	1.6	2.2	3	3	-55	110	3750
EL207	4.88x3.92x3.18	1	1.3	80	0.4	10	100-200	1.6	2.2	3	3	-55	110	3750
EL208	4.88x3.92x3.18	1	1.3	80	0.4	10	160-320	1.6	2.2	3	3	-55	110	3750
EL211	4.88x3.92x3.18	1	1.3	80	0.4	10	>20	1.6	2.2	3	3	-55	110	3750
EL212	4.88x3.92x3.18	1	1.3	80	0.4	10	>50	1.6	2.2	3	3	-55	110	3750
EL213	4.88x3.92x3.18	1	1.3	80	0.4	10	>100	1.6	2.2	3	3	-55	110	3750
EL215	4.88x3.92x3.18	1	1.3	80	0.4	1	>10	1.6	2.2	3	3	-55	110	3750
EL216	4.88x3.92x3.18	1	1.3	80	0.4	1	>50	1.6	2.2	3	3	-55	110	3750
EL217	4.88x3.92x3.18	1	1.3	80	0.4	1	>100	1.6	2.2	3	3	-55	110	3750

Photo Coupler



UNIT : mm



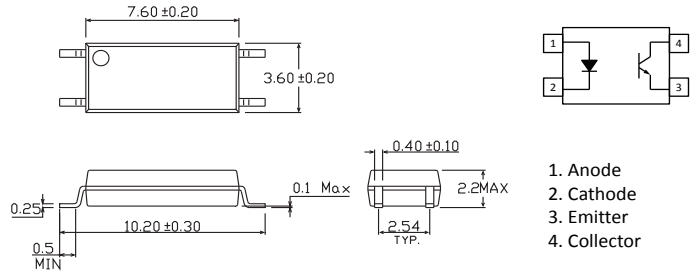
- 1,3. Anode
- 2,4. Cathode
- 5,7. Emitter
- 6,8. Collector

Product	Size (LxWxHmm)	Number of Channels	V _F (V)	BV _{CEO} (Min) (V)	V _{CE(SAT)} (Max) (V)	I _F (mA)	CTR (%)	tr (uS)	tf (uS)	ton (uS)	toff (uS)	Topr (Min) (degC)	Topr (Max) (degC)	Viso (V _{rms})
ELD205	4.88x3.92x3.18	2	1.2	80	0.4	10	40-80	1.6	2.2	5	4	-55	110	3750
ELD206	4.88x3.92x3.18	2	1.2	80	0.4	10	63-125	1.6	2.2	5	4	-55	110	3750
ELD207	4.88x3.92x3.18	2	1.2	80	0.4	10	100-200	1.6	2.2	5	4	-55	110	3750
ELD211	4.88x3.92x3.18	2	1.2	80	0.4	10	>20	1.6	2.2	5	4	-55	110	3750
ELD213	4.88x3.92x3.18	2	1.2	80	0.4	10	>100	1.6	2.2	5	4	-55	110	3750
ELD217	4.88x3.92x3.18	2	1.2	80	0.4	1	>100	1.6	2.2	5	4	-55	110	3750

Photo Coupler | Photo Transistor | 4pin Long Creepage



UNIT : mm



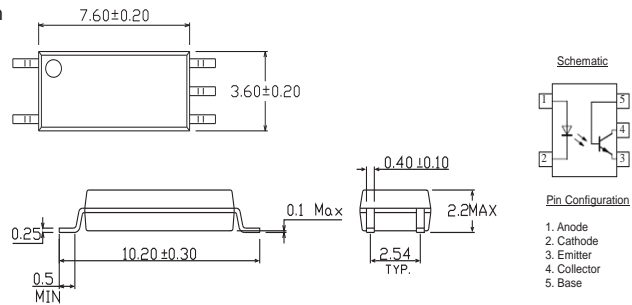
- 1. Anode
- 2. Cathode
- 3. Emitter
- 4. Collector

Product	Size (LxWxHmm)	Number of Channels	V _F (V)	BV _{CEO} (Min) (V)	V _{CE(SAT)} (Max) (V)	I _F (mA)	CTR (%)	tr (uS)	tf (uS)	ton (uS)	toff (uS)	Topr (Min) (degC)	Topr (Max) (degC)	Viso (V _{rms})
EL1010-G	7.6x3.6x2.2	1	1.45	80	0.3	5	50~600	2	3	4	3	-55	110	5000
EL1012-G	7.6x3.6x2.2	1	1.45	80	0.3	10	63~125	2	3	4	3	-55	110	5000
EL1013-G	7.6x3.6x2.2	1	1.45	80	0.3	10	100~200	2	3	4	3	-55	110	5000
EL1014-G	7.6x3.6x2.2	1	1.45	80	0.3	10	160~320	2	3	4	3	-55	110	5000
EL1017-G	7.6x3.6x2.2	1	1.45	80	0.3	5	80~160	2	3	4	3	-55	110	5000
EL1018-G	7.6x3.6x2.2	1	1.45	80	0.3	5	130~260	2	3	4	3	-55	110	5000
EL1019-G	7.6x3.6x2.2	1	1.45	80	0.3	5	200~400	2	3	4	3	-55	110	5000
EL101L-G	7.6x3.6x2.2	1	1.3	80	0.3	0.1	50~600	8	12	-	-	-55	110	5000
EL1010H-G	7.6x3.6x2.2	1	1.2	80	0.35	5	50~600	6	8	-	-	-55	125	5000
EL101U-G	7.6x3.6x2.2	1	1.3	60	0.35	0.5	50~600	-	-	1	50	-40	125	5000

Photo Coupler | Photo Transistor | 5pin Long Creepage



UNIT : mm



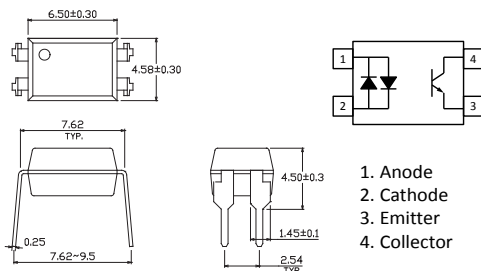
- Schematic
-
- Pin Configuration
- 1. Anode
 - 2. Cathode
 - 3. Emitter
 - 4. Collector
 - 5. Base

Product	Size (LxWxHmm)	Number of Channels	V _F (V)	BV _{CEO} (Min) (V)	V _{CE(SAT)} (Max) (V)	I _F (mA)	CTR (%)	tr (uS)	tf (uS)	ton (uS)	toff (uS)	Topr (Min) (degC)	Topr (Max) (degC)	Viso (V _{rms})
EL1110-G	7.6x3.6x2.2	1	1.45	80	0.3	5	50~600	2	3	4	3	-55	110	5000
EL1112-G	7.6x3.6x2.2	1	1.45	80	0.3	10	63~125	2	3	4	3	-55	110	5000
EL1113-G	7.6x3.6x2.2	1	1.45	80	0.3	10	100~200	2	3	4	3	-55	110	5000
EL1114-G	7.6x3.6x2.2	1	1.45	80	0.3	10	160~320	2	3	4	3	-55	110	5000
EL1116-G	7.6x3.6x2.2	1	1.45	80	0.3	5	100~300	2	3	4	3	-55	110	5000
EL1117-G	7.6x3.6x2.2	1	1.45	80	0.3	5	80~160	2	3	4	3	-55	110	5000
EL1118-G	7.6x3.6x2.2	1	1.45	80	0.3	5	130~260	2	3	4	3	-55	110	5000
EL1119-G	7.6x3.6x2.2	1	1.45	80	0.3	5	200~400	2	3	4	3	-55	110	5000

Photo Coupler | Photo Transistor | 4pin DIP-AC



UNIT : mm



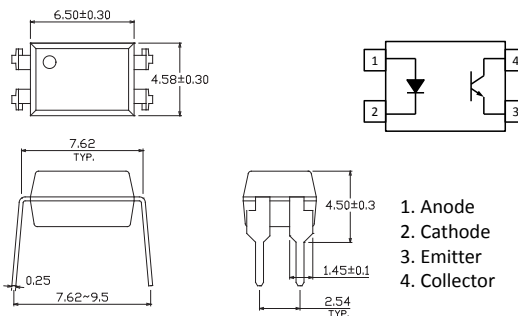
1. Anode
2. Cathode
3. Emitter
4. Collector

Product	Size (LxWxHmm)	Number of Channels	V _F (V)	BV _{CEO} (Min) (V)	V _{CE(SAT)} (Max) (V)	I _F (mA)	CTR (%)	tr (uS)	tf (uS)	ton (uS)	toff (uS)	To _{pr} (Min) (degC)	To _{pr} (Max) (degC)	Viso (V _{rms})
EL814	6.5x4.58x3.5	1	1.2	80	0.2	±1	20~300	7	11	-	-	-55	110	5000

Photo Coupler | Photo Transistor | 4pin DIP-DC



UNIT : mm

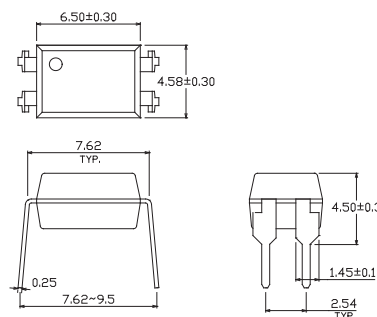


1. Anode
2. Cathode
3. Emitter
4. Collector

Product	Size (LxWxHmm)	Number of Channels	V _F (V)	BV _{CEO} (Min) (V)	V _{CE(SAT)} (Max) (V)	I _F (mA)	CTR (%)	tr (uS)	tf (uS)	ton (uS)	toff (uS)	To _{pr} (Min) (degC)	To _{pr} (Max) (degC)	Viso (V _{rms})
EL816	6.5x4.58x3.5	1	1.2	80	0.2	5	50~600	4	3	-	-	-55	110	5000
EL817-G	6.5x4.58x3.5	1	1.2	80	0.2	5	50~600	6	8	-	-	-55	110	5000
EL851	6.5x4.58x3.5	1	1.2	350	0.4	5	50~600	4	5	-	-	-55	100	5000
EL8171	6.5x4.58x3.5	1	1.2	70	0.2	0.5	100~350	6	8	-	-	-30	100	5000
EL817L-G	6.5x4.58x3.5	1	1.3	80	0.3	0.1	50~600	8	12	-	-	-55	110	5000
EL817H-G	6.5x4.58x3.5	1	1.2	80	0.3	5	50~600	6	8	-	-	-55	125	5000



UNIT : mm



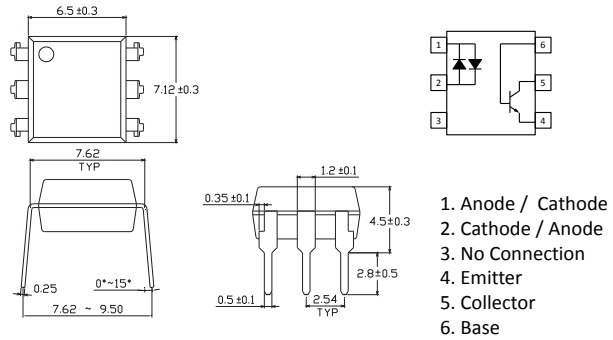
1. Anode
2. Cathode
3. Emitter
4. Collector

Product	Size (LxWxHmm)	Number of Channels	V _F (V)	BV _{CEO} (Min) (V)	V _{CE(SAT)} (Max) (V)	I _F (mA)	CTR (%)	tr (uS)	tf (uS)	ton (uS)	toff (uS)	To _{pr} (Min) (degC)	To _{pr} (Max) (degC)	Viso (V _{rms})
EL2514-G	6.5x4.58x3.5	1	1.2	40	0.35	5	50~200	-	-	15	15	-55	110	5000

Photo Coupler | Photo Transistor | 6pin DIP-AC



UNIT : mm



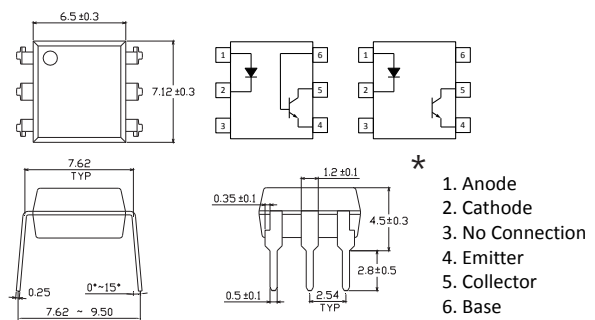
- 1. Anode / Cathode
- 2. Cathode / Anode
- 3. No Connection
- 4. Emitter
- 5. Collector
- 6. Base

Product	Size (LxWxHmm)	Number of Channels	V _F (V)	BV _{CEO} (Min) (V)	V _{CE(SAT)} (Max) (V)	I _F (mA)	CTR (%)	tr (uS)	tf (uS)	ton (uS)	toff (uS)	Topr (Min) (degC)	Topr (Max) (degC)	Viso (V _{rms})
H11AA1	7.12x6.5x3.5	1	1.2	80	0.4	±10	>20	10	10	10	10	-55	100	5000
H11AA2	7.12x6.5x3.5	1	1.2	80	0.4	±10	>10	10	10	10	10	-55	100	5000
H11AA3	7.12x6.5x3.5	1	1.2	80	0.4	±10	>50	10	10	10	10	-55	100	5000
H11AA4	7.12x6.5x3.5	1	1.2	80	0.4	±10	>100	10	10	10	10	-55	100	5000

Photo Coupler | Photo Transistor | 6pin DIP-DC



UNIT : mm



- 1. Anode
- 2. Cathode
- 3. No Connection
- 4. Emitter
- 5. Collector
- 6. Base

Product	Size (LxWxHmm)	Number of Channels	V _F (V)	BV _{CEO} (Min) (V)	V _{CE(SAT)} (Max) (V)	I _F (mA)	CTR (%)	tr (uS)	tf (uS)	ton (uS)	toff (uS)	Topr (Min) (degC)	Topr (Max) (degC)	Viso (V _{rms})
4N25	7.12x6.5x3.5	1	1.2	80	0.5	±10	>20	-	-	3	3	-55	110	5000
4N26	7.12x6.5x3.5	1	1.2	80	0.5	±10	>20	-	-	3	3	-55	110	5000
4N27	7.12x6.5x3.5	1	1.2	80	0.5	±10	>10	-	-	3	3	-55	110	5000
4N28	7.12x6.5x3.5	1	1.2	80	0.5	±10	>10	-	-	3	3	-55	110	5000
4N35	7.12x6.5x3.5	1	1.2	80	0.3	±10	>100	-	-	10	9	-55	110	5000
4N36	7.12x6.5x3.5	1	1.2	80	0.3	±10	>100	-	-	10	9	-55	110	5000
4N37	7.12x6.5x3.5	1	1.2	80	0.3	±10	>100	-	-	10	9	-55	110	5000
4N38	7.12x6.5x3.5	1	1.2	80	1	±10	>20	-	-	10	9	-55	110	5000
H11A1	7.12x6.5x3.5	1	1.2	80	0.4	±10	>50	-	-	3	3	-55	110	5000
H11A2	7.12x6.5x3.5	1	1.2	80	0.4	±10	>20	-	-	3	3	-55	110	5000
H11A3	7.12x6.5x3.5	1	1.2	80	0.4	±10	>20	-	-	3	3	-55	110	5000
H11A4	7.12x6.5x3.5	1	1.2	80	0.4	±10	>10	-	-	3	3	-55	110	5000
H11A5	7.12x6.5x3.5	1	1.2	80	0.4	±10	>30	-	-	3	3	-55	110	5000
CNY17-1	7.12x6.5x3.5	1	1.65	80	0.3	10	40~80	6	8	10	9	-55	110	5000
CNY17-2	7.12x6.5x3.5	1	1.65	80	0.3	10	63~125	6	8	10	9	-55	110	5000
CNY17-3	7.12x6.5x3.5	1	1.65	80	0.3	10	100~200	6	8	10	9	-55	110	5000
*CNY17F-1	7.12x6.5x3.5	1	1.65	80	0.3	10	40~80	6	8	10	9	-55	110	5000
*CNY17F-2	7.12x6.5x3.5	1	1.65	80	0.3	10	63~125	6	8	10	9	-55	110	5000
*CNY17F-3	7.12x6.5x3.5	1	1.65	80	0.3	10	100~200	6	8	10	9	-55	110	5000
*CNY17F-4	7.12x6.5x3.5	1	1.65	80	0.3	10	160~320	6	8	10	9	-55	110	5000

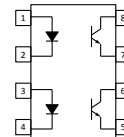
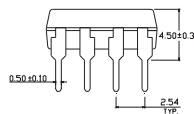
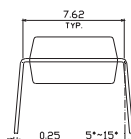
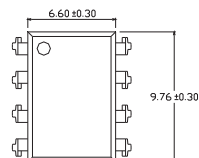
Star mark * : Please refer to the schematic of Pin configuration with " * " mark

Photo Coupler

Photo Coupler | Photo Transistor | 8pin DIP-DC



UNIT : mm



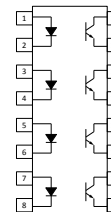
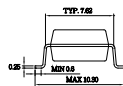
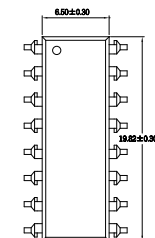
1,3. Anode
2,4. Cathode
5,7. Emitter
6, 8. Collector

Product	Size (LxWxHmm)	Number of Channels	V _F (V)	BV _{CEO} (Min) (V)	V _{CE(SAT)} (Max) (V)	I _F (mA)	CTR (%)	t _r (uS)	t _f (uS)	t _{on} (uS)	t _{off} (uS)	Topr (Min) (degC)	Topr (Max) (degC)	Viso (V _{rms})
EL827	9.76x6.6x3.5	2	1.2	80	0.2	5	50~600	3	4	-	-	-55	110	5000

Photo Coupler | Photo Transistor | 16pin DIP-DC



UNIT : mm



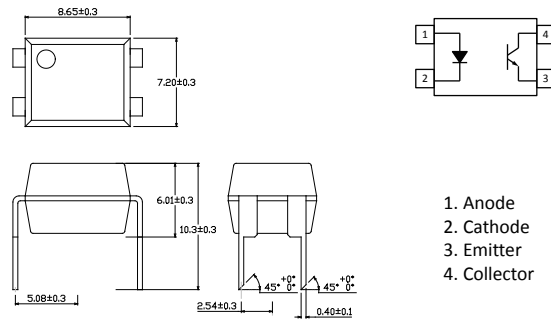
1, 3, 5, 7. Anode
2, 4, 6, 8. Cathode
9, 11, 13, 15. Emitter
10, 12, 14, 16. Collector

Product	Size (LxWxHmm)	Number of Channels	V _F (V)	BV _{CEO} (Min) (V)	V _{CE(SAT)} (Max) (V)	I _F (mA)	CTR (%)	t _r (uS)	t _f (uS)	t _{on} (uS)	t _{off} (uS)	Topr (Min) (degC)	Topr (Max) (degC)	Viso (V _{rms})
EL847	19.82x6.5x3.5	4	1.2	80	0.2	5	50~600	6	8	-	-	-55	110	5000

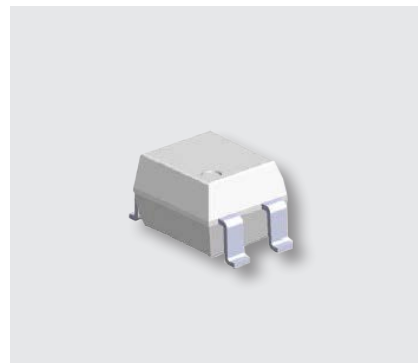
Photo Coupler | Photo Transistor | 4Pin High Isolation



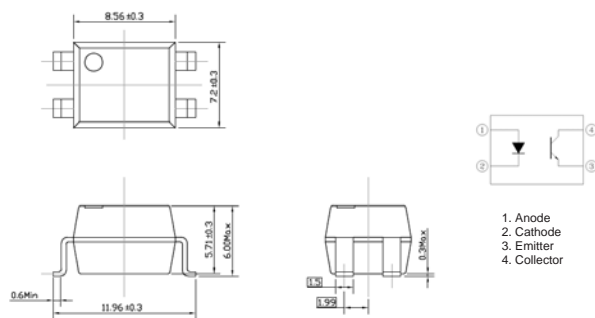
UNIT : mm



Product	Size (LxWxHmm)	Number of Channels	V _F (V)	BV _{CEO} (Min) (V)	V _{CE(SAT)} (Max) (V)	I _F (mA)	CTR (%)	tr (uS)	tf (uS)	ton (uS)	toff (uS)	Topr (Min) (degC)	Topr (Max) (degC)	Viso (V _{rms})
CNY64	8.56x7.2x6.01	1	1.6	80	0.3	5	50~300	3	5	6	7	-55	85	8000



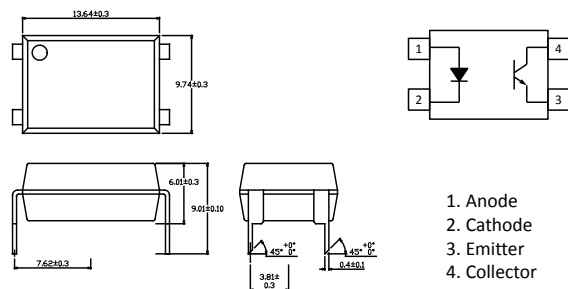
UNIT : mm



Product	Size (LxWxHmm)	Number of Channels	V _F (V)	BV _{CEO} (Min) (V)	V _{CE(SAT)} (Max) (V)	I _F (mA)	CTR (%)	tr (uS)	tf (uS)	ton (uS)	toff (uS)	Topr (Min) (degC)	Topr (Max) (degC)	Viso (V _{rms})
CNY64S	8.56x7.2x6.01	1	1.6	80	0.3	5	50~300	3	5	6	7	-55	85	8000



UNIT : mm



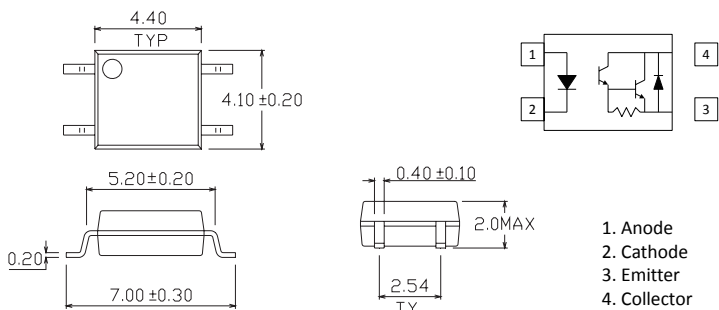
Product	Size (LxWxHmm)	Number of Channels	V _F (V)	BV _{CEO} (Min) (V)	V _{CE(SAT)} (Max) (V)	I _F (mA)	CTR (%)	tr (uS)	tf (uS)	ton (uS)	toff (uS)	Topr (Min) (degC)	Topr (Max) (degC)	Viso (V _{rms})
CNY65	13.64x9.74x0.1	1	1.6	80	0.3	5	50~300	3	5	6	7	-55	85	8200

Photo Coupler

Photo Coupler | Photo Darlington | 4pin SOP-DC



UNIT : mm

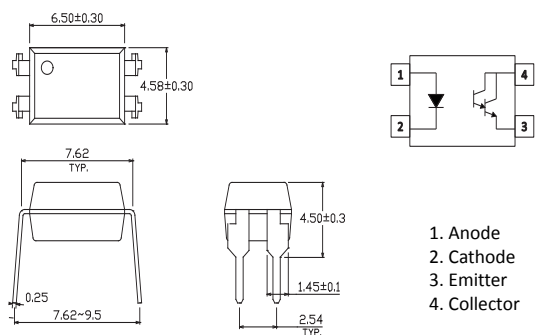


Product	Size (LxWxHmm)	Number of Channels	V _F (V)	BV _{CEO} (Min) (V)	V _{CE(SAT)} (Max) (V)	I _F (mA)	CTR (%)	tr (uS)	tf (uS)	ton (uS)	toff (uS)	Topr (Min) (degC)	Topr (Max) (degC)	Viso (V _{rms})
EL452-G	4.4x4.1x2	1	1.2	350	1.5	1	>1000	80	10	-	-	-55	110	3750

Photo Coupler | Photo Darlington | 4Pin DIP-DC



UNIT : mm

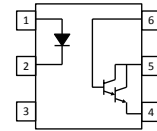
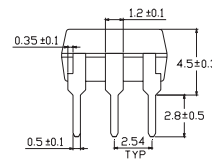
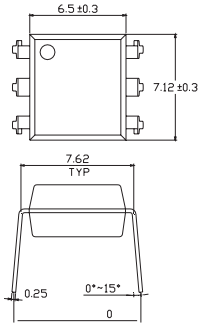


Product	Size (LxWxHmm)	Number of Channels	V _F (V)	BV _{CEO} (Min) (V)	V _{CE(SAT)} (Max) (V)	I _F (mA)	CTR (%)	tr (uS)	tf (uS)	ton (uS)	toff (uS)	Topr (Min) (degC)	Topr (Max) (degC)	Viso (V _{rms})
EL815	6.5x4.58x3.5	1	1.2	35	1	1	600~7500	60	53	-	-	-55	110	5000
EL852	6.5x4.58x3.5	1	1.2	350	1.2	1	1000~15000	300	100	-	-	-55	100	5000

Photo Coupler | Photo Darlington | 6Pin DIP-DC



UNIT : mm



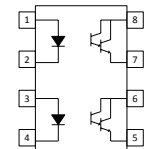
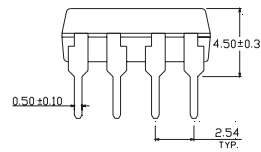
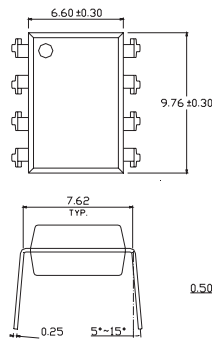
- 1. Anode
- 2. Cathode
- 3. No Connection
- 4. Emitter
- 5. Collector
- 6. Base

Product	Size (LxWxHmm)	Number of Channels	V _F (V)	BV _{CEO} (Min) (V)	V _{CE(SAT)} (Max) (V)	I _F (mA)	CTR (%)	tr (uS)	tf (uS)	ton (uS)	toff (uS)	Topr (Min) (degC)	Topr (Max) (degC)	Viso (V _{rms})
4N29	7.12x6.5x3.5	1	1.2	55	1	10	>100	-	-	5	40	-55	100	5000
4N30	7.12x6.5x3.5	1	1.2	55	1	10	>100	-	-	5	40	-55	100	5000
4N31	7.12x6.5x3.5	1	1.2	55	1.2	10	>50	-	-	5	40	-55	100	5000
4N32	7.12x6.5x3.5	1	1.2	55	1	10	>500	-	-	5	100	-55	100	5000
4N33	7.12x6.5x3.5	1	1.2	55	1	10	>500	-	-	5	100	-55	100	5000
H11B1	7.12x6.5x3.5	1	1.2	55	1	1	>500	-	-	25	18	-55	100	5000
H11B2	7.12x6.5x3.5	1	1.2	55	1	1	>200	-	-	25	18	-55	100	5000
H11B3	7.12x6.5x3.5	1	1.2	55	1	1	>100	-	-	25	18	-55	100	5000
H11B255	7.12x6.5x3.5	1	1.2	55	1	10	>100	-	-	25	18	-55	100	5000
TIL113	7.12x6.5x3.5	1	1.2	55	1.2	10	>300	-	-	5	100	-55	100	5000

Photo Coupler | Photo Darlington | 8Pin DIP-DC



UNIT : mm



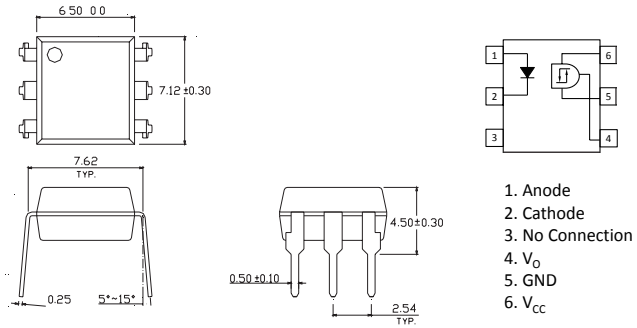
- 1, 3. Anode
- 2, 4. Cathode
- 5, 7. Emitter
- 6, 8. Collector

Product	Size (LxWxHmm)	Number of Channels	V _F (V)	BV _{CEO} (Min) (V)	V _{CE(SAT)} (Max) (V)	I _F (mA)	CTR (%)	tr (uS)	tf (uS)	ton (uS)	toff (uS)	Topr (Min) (degC)	Topr (Max) (degC)	Viso (V _{rms})
EL825	9.76x6.6x3.5	2	1.2	40	1	1	600~7500	60	53	-	-	-55	110	5000

Photo Coupler | Schmitt Trigger | 6Pin DIP-DC



UNIT : mm

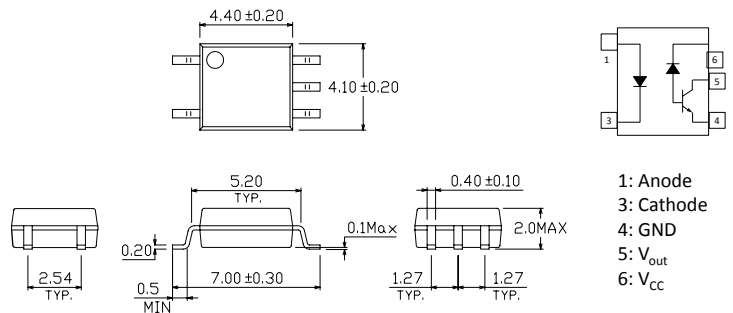


Product	Size (LxWxHmm)	Number of Channels	Data Transfer Rate (Mbps)	Supply Voltage (V)	tr (uS)	tf (uS)	I _{Fon} (mA)	Topr (Min) (degC)	Topr (Max) (degC)	Viso (Vrms)
H11L1	7.12x6.5x3.5	1	1	3-16	0.1	0.1	1.6	-55	100	5000
H11L2	7.12x6.5x3.5	1	1	3-16	0.1	0.1	10	-55	100	5000
H11L3	7.12x6.5x3.5	1	1	3-16	0.1	0.1	5	-55	100	5000

Photo Coupler | High Speed | 5Pin SOP-DC



UNIT : mm

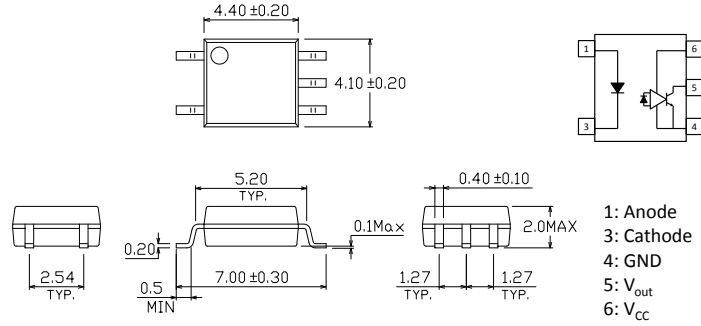


Product	Size (LxWxHmm)	Number of Channels	Data Transfer Rate (Mbps)	Supply Voltage (V)	tPHL (ns)	tPLH (ns)	I _{FT} (mA)	CTR (%)	CMR (V/us)	I _o (mA)	Topr (Min) (degC)	Topr (Max) (degC)	Viso (Vrms)
ELM452	4.4x4.1x2	1	1	30	40	35	-	20-50	5000	8	-40	85	3750
ELM453	4.4x4.1x2	1	1	30	40	35	-	20-50	15000	8	-40	85	3750
ELM453L	4.4x4.1x2	1	1	30	30	65	-	20-50	15000	8	-40	85	3750
ELM453H	4.4x4.1x2	1	1	30	350	450	-	>20	10000	8	-40	125	3750
ELM456	4.4x4.1x2	1	1	30	150	450	-	220	10000	15	-40	85	3750

Photo Coupler | High Speed | 5Pin SOP-DC



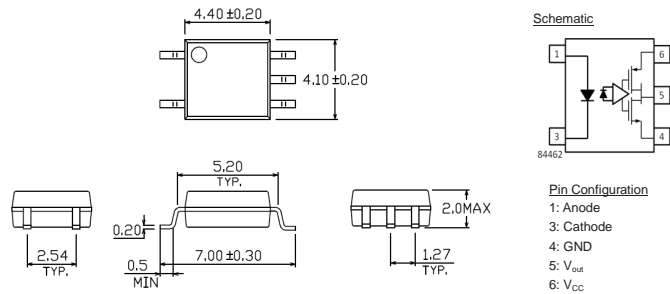
UNIT : mm



Product	Size (LxWxHmm)	Number of Channels	Data Transfer Rate (Mbps)	Supply Voltage (V)	tPHL (ns)	tPLH (ns)	I _{FT} (mA)	CTR (%)	CMR (V/us)	I _o (mA)	Topr (Min) (degC)	Topr (Max) (degC)	Viso (Vrms)
ELM600	4.4x4.1x2	1	10	7	41	50	5	-	-	50	-40	85	3750
ELM601	4.4x4.1x2	1	10	7	41	50	5	-	5000	50	-40	85	3750
ELM611	4.4x4.1x2	1	10	7	41	50	5	-	20000	50	-40	85	3750
ELM611H	4.4x4.1x2	1	10	7	41	55	5	-	15000	50	-40	125	3750

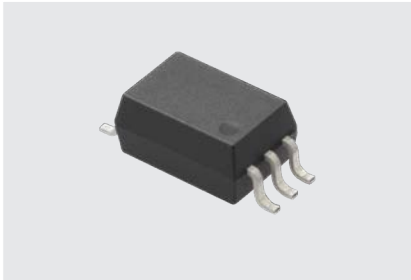


UNIT : mm

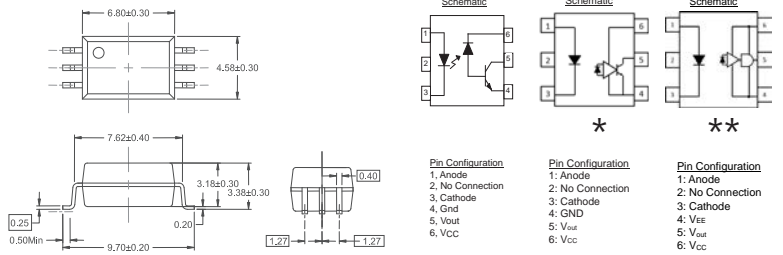


Product	Size (LxWxHmm)	Number of Channels	Data Transfer Rate (Mbps)	Supply Voltage (V)	tPHL (ns)	tPLH (ns)	I _{FT} (mA)	CTR (%)	CMR (V/us)	I _o (mA)	Topr (Min) (degC)	Topr (Max) (degC)	Viso (Vrms)
ELM80L	4.4x4.1x2	1	15	5.5	30	48	5	-	5000	20	-40	85	3750
ELM81L	4.4x4.1x2	1	15	5.5	30	48	5	-	10000	20	-40	85	3750

Photo Coupler | High Speed | 6pin SDIP-DC



UNIT : mm



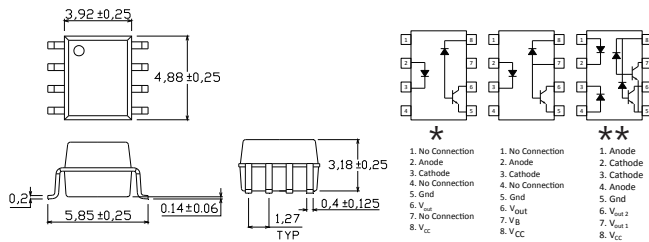
Product	Size (LxWxHmm)	Number of Channels	Data Transfer Rate (Mbps)	Supply Voltage (V)	tPHL (ns)	tPLH (ns)	I _{FT} (mA)	CTR (%)	CMR (V/us)	I _o (mA)	Topr (Min) (degC)	Topr (Max) (degC)	Viso (Vrms)
ELS511	6.8x4.58x3.18	1	1	30	1500	1500	-	>20	10000	8	-55	100	5000
*ELS611	6.8x4.58x3.18	1	10	7	100	100	5	-	5000	50	-40	85	5000
**ELS680	6.8x4.58x3.18	1	10	30	350	350	5	-	10000	60	-40	100	5000

Star mark * : Please refer to the schematic of Pin configuration with " * " " ** " mark

Photo Coupler | High Speed | 8pin SOP-DC



UNIT : mm



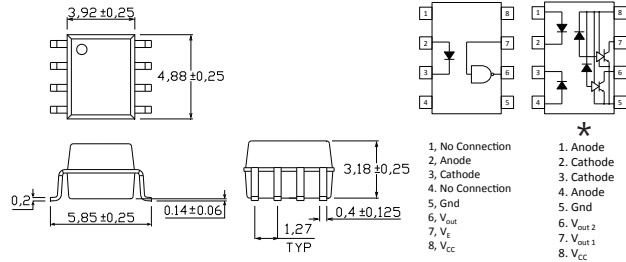
Product	Size (LxWxHmm)	Number of Channels	Data Transfer Rate (Mbps)	Supply Voltage (V)	tPHL (ns)	tPLH (ns)	I _{FT} (mA)	CTR (%)	CMR (V/us)	I _o (mA)	Topr (Min) (degC)	Topr (Max) (degC)	Viso (Vrms)
*EL0452	4.88x3.92x3.18	1	1	30	1000	1000	-	19~50	1000	8	-55	100	3750
*EL0453	4.88x3.92x3.18	1	1	30	1000	1000	-	19~50	15000	8	-55	100	3750
EL0500	4.88x3.92x3.18	1	1	30	2000	2000	-	7~50	1000	8	-55	100	3750
EL0501	4.88x3.92x3.18	1	1	30	1000	1000	-	19~50	1000	8	-55	100	3750
EL050L	4.88x3.92x3.18	1	1	7	2000	2000	-	7~50	1000	8	-40	85	3750
**EL0530	4.88x3.92x3.18	2	1	30	2000	2000	-	7~50	1000	8	-55	100	3750
**EL0531	4.88x3.92x3.18	2	1	30	1000	1000	-	19~50	1000	8	-55	100	3750

Star mark * : Please refer to the schematic of Pin configuration with " * " " ** " mark

Photo Coupler | High Speed | 8pin SOP-DC



UNIT : mm

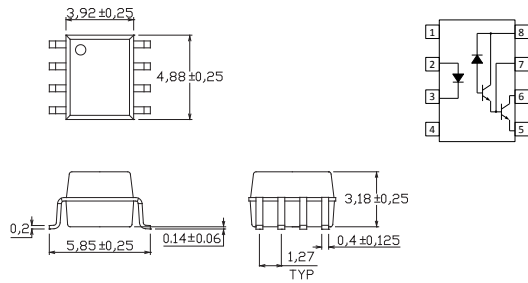


Product	Size (LxWxHmm)	Number of Channels	Data Transfer Rate (Mbps)	Supply Voltage (V)	tPHL (ns)	tPLH (ns)	I _{FT} (mA)	CTR (%)	CMR (V/us)	I _o (mA)	Topr (Min) (degC)	Topr (Max) (degC)	Viso (Vrms)
EL0601	4.88x3.92x3.18	1	10	7	35	45	5	-	5000	50	-40	100	3750
EL0611	4.88x3.92x3.18	1	10	7	35	45	5	-	10000	50	-40	100	3750
EL060L	4.88x3.92x3.18	1	10	7	50	45	5	-	10000	50	-40	85	3750
*EL0630	4.88x3.92x3.18	2	10	7	100	100	5	-	5000	50	-40	100	3750
*EL0631	4.88x3.92x3.18	2	10	7	100	100	5	-	10000	50	-40	100	3750

Star mark * : Please refer to the schematic of Pin configuration with "★" mark



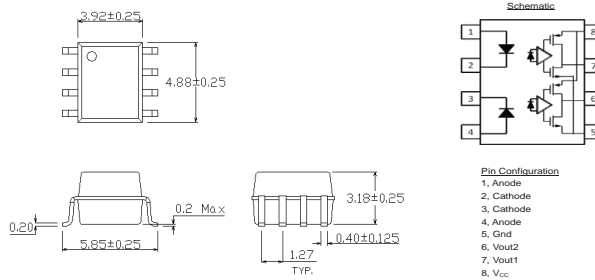
UNIT : mm



Product	Size (LxWxHmm)	Number of Channels	Data Transfer Rate (Mbps)	Supply Voltage (V)	tPHL (ns)	tPLH (ns)	I _{FT} (mA)	CTR (%)	CMR (V/us)	I _o (mA)	Topr (Min) (degC)	Topr (Max) (degC)	Viso (Vrms)
EL0700	4.88x3.92x3.18	1	0.3	7	3000	8000	-	>300	1000	60	-40	85	3750
EL0701	4.88x3.92x3.18	1	0.3	18	11000	20000	-	>400	1000	60	-40	85	3750



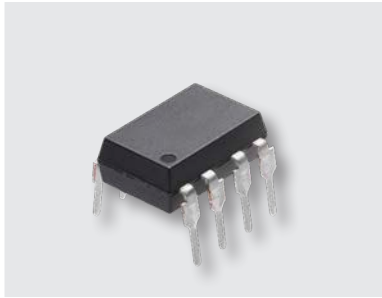
UNIT : mm



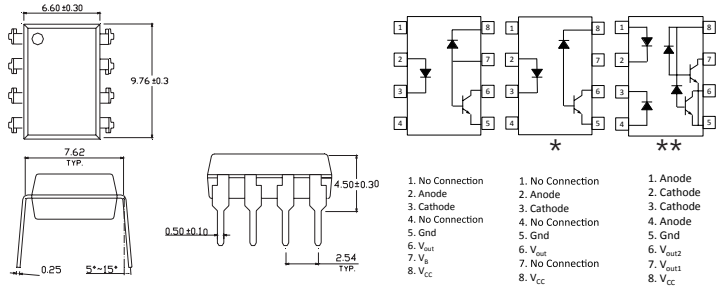
Product	Size (LxWxHmm)	Number of Channels	Data Transfer Rate (Mbps)	Supply Voltage (V)	tPHL (ns)	tPLH (ns)	I _{FT} (mA)	CTR (%)	CMR (V/us)	I _o (mA)	Topr (Min) (degC)	Topr (Max) (degC)	Viso (Vrms)
EL083L	4.88x3.92x3.18	2	15	5.5	38	41	5	-	5000	20	-40	85	3750
EL086L	4.88x3.92x3.18	2	15	5.5	38	41	5	-	10000	20	-40	85	3750

Photo Coupler

Photo Coupler | High Speed | 8Pin DIP-DC



UNIT : mm

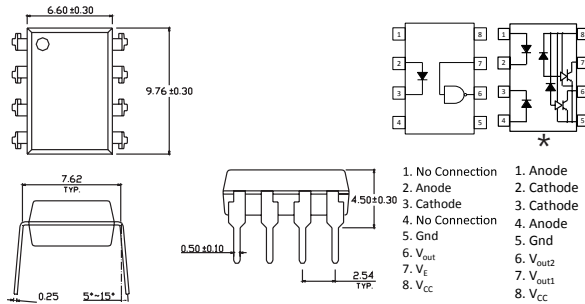


Product	Size (LxWxHmm)	Number of Channels	Data Transfer Rate (Mbps)	Supply Voltage (V)	tPHL (ns)	tPLH (ns)	I _{FT} (mA)	CTR (%)	CMR (V/us)	I _o (mA)	Topr (Min) (degC)	Topr (Max) (degC)	Viso (Vrms)
6N135	9.76x6.6x3.5	1	1	30	2000	2000	-	7~50	1000	8	-55	100	5000
6N136	9.76x6.6x3.5	1	1	30	1000	1000	-	19~50	1000	8	-55	100	5000
*EL4502	9.76x6.6x3.5	1	1	30	1000	1000	-	19~50	1000	8	-55	100	5000
*EL4503	9.76x6.6x3.5	1	1	30	1000	1000	-	19~50	15000	8	-55	100	5000
*EL4504	9.76x6.6x3.5	1	1	30	1000	1000	-	25~60	15000	8	-55	100	5000
**EL2530	9.76x6.6x3.5	2	1	30	2000	2000	-	7~50	1000	8	-40	100	5000
**EL2531	9.76x6.6x3.5	2	1	30	1000	1000	-	19~50	1000	8	-40	100	5000

Star mark * : Please refer to the schematic of Pin configuration with " * " " ** " mark



UNIT : mm



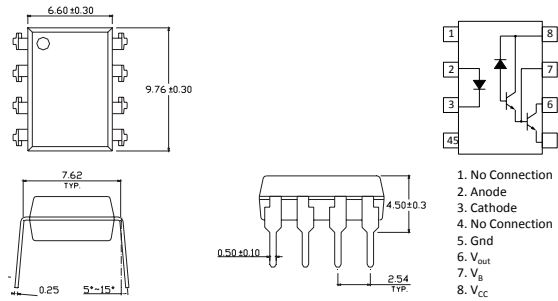
Product	Size (LxWxHmm)	Number of Channels	Data Transfer Rate (Mbps)	Supply Voltage (V)	tPHL (ns)	tPLH (ns)	I _{FT} (mA)	CTR (%)	CMR (V/us)	I _o (mA)	Topr (Min) (degC)	Topr (Max) (degC)	Viso (Vrms)
6N137	9.76x6.6x3.5	1	10	7	75	75	5	-	-	50	-40	85	5000
EL2601	9.76x6.6x3.5	1	10	7	75	75	5	-	5000	50	-40	85	5000
EL2611	9.76x6.6x3.5	1	10	7	75	75	5	-	10000	50	-40	85	5000
EL260L	9.76x6.6x3.5	1	10	7	75	75	5	-	10000	50	-40	85	5000
*EL2630	9.76x6.6x3.5	2	10	7	100	100	5	-	5000	50	-40	100	5000
*EL2631	9.76x6.6x3.5	2	10	7	100	100	5	-	10000	50	-40	100	5000

Star mark * : Please refer to the schematic of Pin configuration with " * " mark

Photo Coupler | High Speed | 8Pin DIP-DC

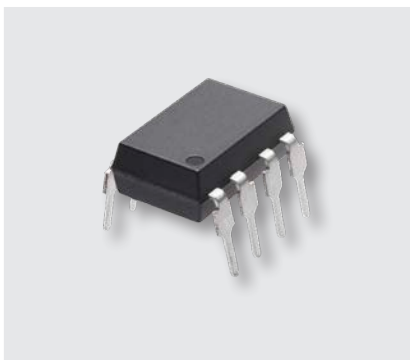


UNIT : mm

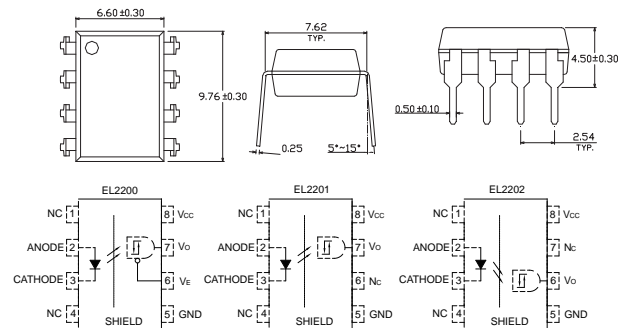


- 1. No Connection
- 2. Anode
- 3. Cathode
- 4. No Connection
- 5. Gnd
- 6. V_{out}
- 7. V_B
- 8. V_{CC}

Product	Size (LxWxHmm)	Number of Channels	Data Transfer Rate (Mbps)	Supply Voltage (V)	tPHL (ns)	tPLH (ns)	I_{FT} (mA)	CTR (%)	CMR (V/us)	I_o (mA)	Topr (Min) (degC)	Topr (Max) (degC)	Viso (Vrms)
6N138	9.76x6.6x3.5	1	0.3	7	15000	50000	-	>300	1000	60	-40	85	5000
6N139	9.76x6.6x3.5	1	0.3	18	30000	90000	-	>500	1000	60	-40	85	5000



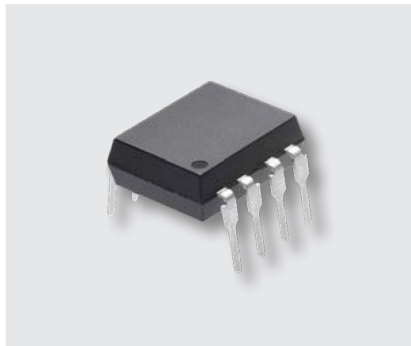
UNIT : mm



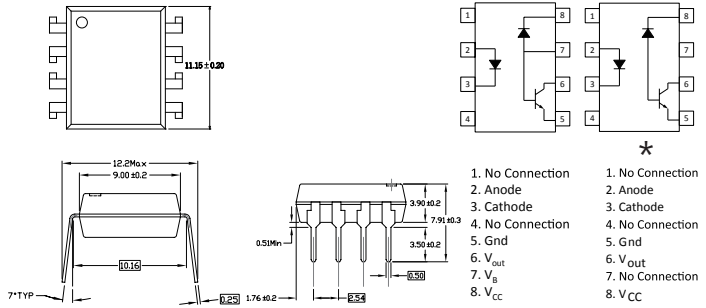
Product	Size (LxWxHmm)	Number of Channels	Data Transfer Rate (Mbps)	Supply Voltage (V)	tPHL (ns)	tPLH (ns)	I_{FT} (mA)	CTR (%)	CMR (V/us)	I_o (mA)	Topr (Min) (degC)	Topr (Max) (degC)	Viso (Vrms)
EL2200	9.76x6.6x3.5	1	5	20	300	300	1.6	-	1000	25	-40	85	5000
EL2201	9.76x6.6x3.5	1	5	20	300	300	1.6	-	1000	25	-40	85	5000
EL2202	9.76x6.6x3.5	1	5	20	300	300	1.6	-	1000	25	-40	85	5000

Photo Coupler

Photo Coupler | High Speed | 8Pin Wide Body DIP-DC

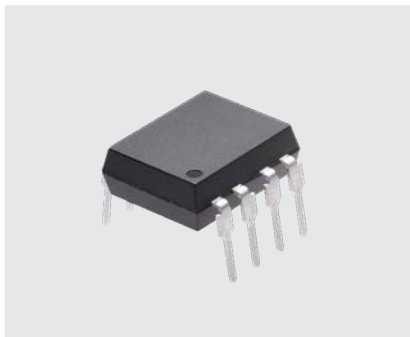


UNIT : mm

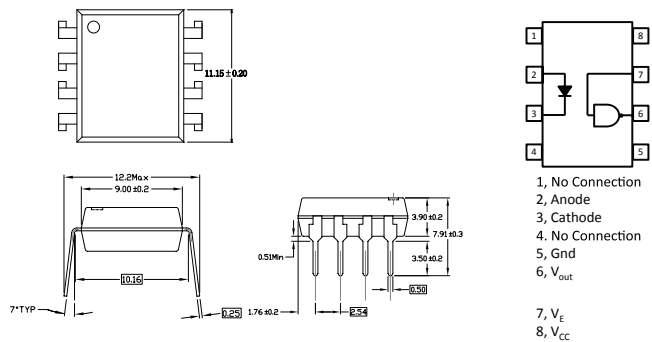


Product	Size (LxWxHmm)	Number of Channels	Data Transfer Rate (Mbps)	Supply Voltage (V)	tPHL (ns)	tPLH (ns)	I _{FT} (mA)	CTR (%)	CMR (V/us)	I _o (mA)	To _{pr} (Min) (degC)	To _{pr} (Max) (degC)	Viso (Vrms)
ELW135	11.15x9x3.9	1	1	30	2000	2000	-	7~50	1000	8	-55	100	5000
ELW136	11.15x9x3.9	1	1	30	1000	1000	-	19~50	1000	8	-55	100	5000
*ELW4503	11.15x9x3.9	1	1	30	1000	1000	-	19~50	15000	8	-55	100	5000

Star mark * : Please refer to the schematic of Pin configuration with " * " " * * " mark



UNIT : mm

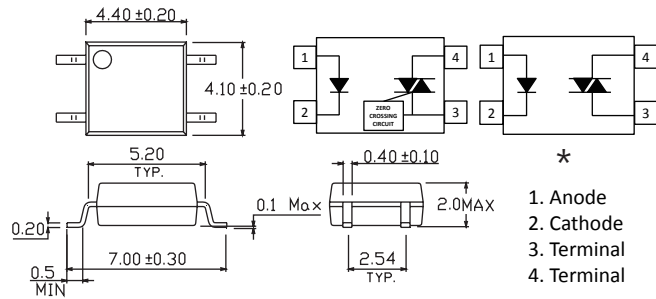


Product	Size (LxWxHmm)	Number of Channels	Data Transfer Rate (Mbps)	Supply Voltage (V)	tPHL (ns)	tPLH (ns)	I _{FT} (mA)	CTR (%)	CMR (V/us)	I _o (mA)	To _{pr} (Min) (degC)	To _{pr} (Max) (degC)	Viso (Vrms)
ELW137	11.15x9x3.9	1	10	7	100	100	5	-	-	50	-40	85	5000
ELW2601	11.15x9x3.9	1	10	7	100	100	5	-	5000	50	-40	85	5000
ELW2611	11.15x9x3.9	1	10	7	100	100	5	-	10000	50	-40	85	5000

Photo Coupler | Triac Driver | 4pin SOP-DC



UNIT : mm



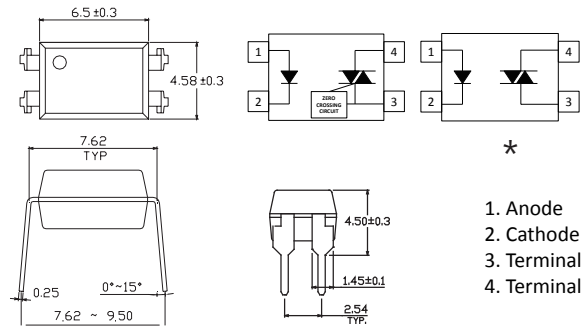
Product	Size (LxWxHmm)	Number of Channels	V _F (V)	V _{DRM} (Max) (V)	V _{TM} (V)	V _{INH} (V)	I _T (rms) (mA)	I _{FT} (mA)	Topr (Min) (degC)	Topr (Max) (degC)	Viso (Vrms)
ELM3042	4.4x4.1x2	1	1.5	400	3	20	70	10	-40	110	3750
ELM3043	4.4x4.1x2	1	1.5	400	3	20	70	5	-40	110	3750
ELM3044	4.4x4.1x2	1	1.5	400	3	20	70	3	-40	110	3750
ELM3062	4.4x4.1x2	1	1.5	600	3	20	70	10	-40	110	3750
ELM3063	4.4x4.1x2	1	1.5	600	3	20	70	5	-40	110	3750
ELM3064	4.4x4.1x2	1	1.5	600	3	20	70	3	-40	110	3750
ELM3082	4.4x4.1x2	1	1.5	800	3	20	70	10	-40	110	3750
ELM3083	4.4x4.1x2	1	1.5	800	3	20	70	5	-40	110	3750
ELM3084	4.4x4.1x2	1	1.5	800	3	20	70	3	-40	110	3750
*ELM3022	4.4x4.1x2	1	1.5	400	2.5	-	70	10	-40	110	3750
*ELM3023	4.4x4.1x2	1	1.5	400	2.5	-	70	5	-40	110	3750
*ELM3024	4.4x4.1x2	1	1.5	400	2.5	-	70	3	-40	110	3750
*ELM3052	4.4x4.1x2	1	1.5	600	2.5	-	70	10	-40	110	3750
*ELM3053	4.4x4.1x2	1	1.5	600	2.5	-	70	5	-40	110	3750
*ELM3054	4.4x4.1x2	1	1.5	600	2.5	-	70	3	-40	110	3750

Star mark * : Please refer to the schematic of Pin configuration with " * " mark

Photo Coupler | Triac Driver | 4Pin DIP-DC



UNIT : mm



- ★
- 1. Anode
 - 2. Cathode
 - 3. Terminal
 - 4. Terminal

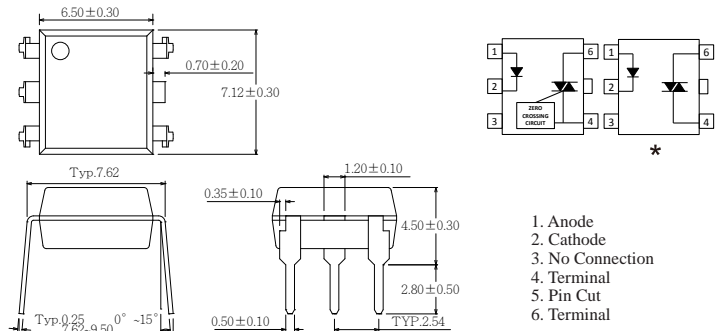
Product	Size (LxWxHmm)	Number of Channels	V _F (V)	V _{DRM} (Max) (V)	V _{TM} (V)	V _{INH} (V)	I _T (rms) (mA)	I _{FT} (mA)	Topr (Min) (degC)	Topr (Max) (degC)	Viso (Vrms)
ELT3041	6.5x4.58x3.5	1	1.5	400	3	20	70	15	-55	100	5000
ELT3042	6.5x4.58x3.5	1	1.5	400	3	20	70	10	-55	100	5000
ELT3043	6.5x4.58x3.5	1	1.5	400	3	20	70	5	-55	100	5000
ELT3061	6.5x4.58x3.5	1	1.5	600	3	20	70	15	-55	100	5000
ELT3062	6.5x4.58x3.5	1	1.5	600	3	20	70	10	-55	100	5000
ELT3063	6.5x4.58x3.5	1	1.5	600	3	20	70	5	-55	100	5000
ELT3081	6.5x4.58x3.5	1	1.5	800	3	20	70	15	-55	100	5000
ELT3082	6.5x4.58x3.5	1	1.5	800	3	20	70	10	-55	100	5000
ELT3083	6.5x4.58x3.5	1	1.5	800	3	20	70	5	-55	100	5000
*ELT3021	6.5x4.58x3.5	1	1.5	400	2.5	-	70	15	-55	100	5000
*ELT3022	6.5x4.58x3.5	1	1.5	400	2.5	-	70	10	-55	100	5000
*ELT3023	6.5x4.58x3.5	1	1.5	400	2.5	-	70	5	-55	100	5000
*ELT3051	6.5x4.58x3.5	1	1.5	600	2.5	-	70	15	-55	100	5000
*ELT3052	6.5x4.58x3.5	1	1.5	600	2.5	-	70	10	-55	100	5000
*ELT3053	6.5x4.58x3.5	1	1.5	600	2.5	-	70	5	-55	100	5000

Star mark * : Please refer to the schematic of Pin configuration with "★" mark

Photo Coupler | Triac Driver | 5Pin DIP-DC



UNIT : mm



Product	Size (LxWxHmm)	Number of Channels	V _F (V)	V _{DRM} (Max) (V)	V _{TM} (V)	V _{INH} (V)	I _T (rms) (mA)	I _{FT} (mA)	To _{pr} (Min) (degC)	To _{pr} (Max) (degC)	Viso (Vrms)
EL3031(P5)	7.12x6.5x3.5	1	1.5	250	3	20	100	15	-55	100	5000
EL3032(P5)	7.12x6.5x3.5	1	1.5	250	3	20	100	10	-55	100	5000
EL3033(P5)	7.12x6.5x3.5	1	1.5	250	3	20	100	5	-55	100	5000
EL3041(P5)	7.12x6.5x3.5	1	1.5	400	3	20	100	15	-55	100	5000
EL3042(P5)	7.12x6.5x3.5	1	1.5	400	3	20	100	10	-55	100	5000
EL3043(P5)	7.12x6.5x3.5	1	1.5	400	3	20	100	5	-55	100	5000
EL3061(P5)	7.12x6.5x3.5	1	1.5	600	3	20	100	15	-55	100	5000
EL3062(P5)	7.12x6.5x3.5	1	1.5	600	3	20	100	10	-55	100	5000
EL3063(P5)	7.12x6.5x3.5	1	1.5	600	3	20	100	5	-55	100	5000
EL3081(P5)	7.12x6.5x3.5	1	1.5	800	3	20	100	15	-55	100	5000
EL3082(P5)	7.12x6.5x3.5	1	1.5	800	3	20	100	10	-55	100	5000
EL3083(P5)	7.12x6.5x3.5	1	1.5	800	3	20	100	5	-55	100	5000
*EL3010(P5)	7.12x6.5x3.5	1	1.5	250	2.5	-	100	15	-55	100	5000
*EL3011(P5)	7.12x6.5x3.5	1	1.5	250	2.5	-	100	10	-55	100	5000
*EL3012(P5)	7.12x6.5x3.5	1	1.5	250	2.5	-	100	5	-55	100	5000
*EL3021(P5)	7.12x6.5x3.5	1	1.5	400	2.5	-	100	15	-55	100	5000
*EL3022(P5)	7.12x6.5x3.5	1	1.5	400	2.5	-	100	10	-55	100	5000
*EL3023(P5)	7.12x6.5x3.5	1	1.5	400	2.5	-	100	5	-55	100	5000
*EL3051(P5)	7.12x6.5x3.5	1	1.5	600	2.5	-	100	15	-55	100	5000
*EL3052(P5)	7.12x6.5x3.5	1	1.5	600	2.5	-	100	10	-55	100	5000
*EL3053(P5)	7.12x6.5x3.5	1	1.5	600	2.5	-	100	5	-55	100	5000

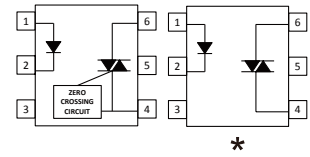
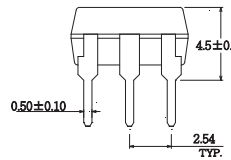
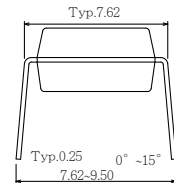
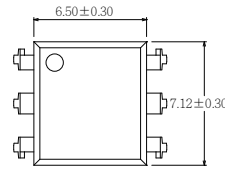
Star mark * : Please refer to the schematic of Pin configuration with " * " mark

Photo Coupler

Photo Coupler | Triac Driver | 6Pin DIP-DC



UNIT : mm



- 1. Anode
- 2. Cathode
- 3. No Connection
- 4. Terminal
- 5. Substrate (do not connect)
- 6. Terminal

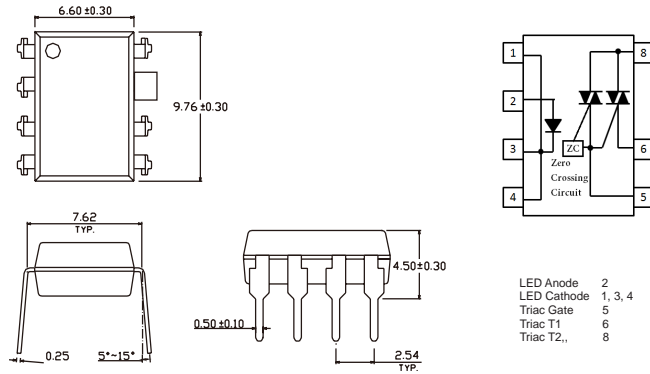
Product	Size (LxWxHmm)	Number of Channels	V _F (V)	V _{DRM} (Max) (V)	V _{TM} (V)	V _{INH} (V)	I _T (rms) (mA)	I _{FT} (mA)	Topr (Min) (degC)	Topr (Max) (degC)	Viso (Vrms)
EL3031	7.12x6.5x3.5	1	1.5	250	3	20	100	15	-55	100	5000
EL3032	7.12x6.5x3.5	1	1.5	250	3	20	100	10	-55	100	5000
EL3033	7.12x6.5x3.5	1	1.5	250	3	20	100	5	-55	100	5000
EL3041	7.12x6.5x3.5	1	1.5	400	3	20	100	15	-55	100	5000
EL3042	7.12x6.5x3.5	1	1.5	400	3	20	100	10	-55	100	5000
EL3043	7.12x6.5x3.5	1	1.5	400	3	20	100	5	-55	100	5000
EL3061	7.12x6.5x3.5	1	1.5	600	3	20	100	15	-55	100	5000
EL3062	7.12x6.5x3.5	1	1.5	600	3	20	100	10	-55	100	5000
EL3063	7.12x6.5x3.5	1	1.5	600	3	20	100	5	-55	100	5000
EL3081	7.12x6.5x3.5	1	1.5	800	3	20	100	15	-55	100	5000
EL3082	7.12x6.5x3.5	1	1.5	800	3	20	100	10	-55	100	5000
EL3083	7.12x6.5x3.5	1	1.5	800	3	20	100	5	-55	100	5000
*EL3010	7.12x6.5x3.5	1	1.5	250	2.5	-	100	15	-55	100	5000
*EL3011	7.12x6.5x3.5	1	1.5	250	2.5	-	100	10	-55	100	5000
*EL3012	7.12x6.5x3.5	1	1.5	250	2.5	-	100	5	-55	100	5000
*EL3020	7.12x6.5x3.5	1	1.5	400	2.5	-	100	30	-55	100	5000
*EL3021	7.12x6.5x3.5	1	1.5	400	2.5	-	100	15	-55	100	5000
*EL3022	7.12x6.5x3.5	1	1.5	400	2.5	-	100	10	-55	100	5000
*EL3023	7.12x6.5x3.5	1	1.5	400	2.5	-	100	5	-55	100	5000
*EL3051	7.12x6.5x3.5	1	1.5	600	2.5	-	100	15	-55	100	5000
*EL3052	7.12x6.5x3.5	1	1.5	600	2.5	-	100	10	-55	100	5000
*EL3053	7.12x6.5x3.5	1	1.5	600	2.5	-	100	5	-55	100	5000

Star mark * : Please refer to the schematic of Pin configuration with " * " mark

Photo Coupler | Photo Power Triac Driver | 7Pin DIP-DC



UNIT : mm

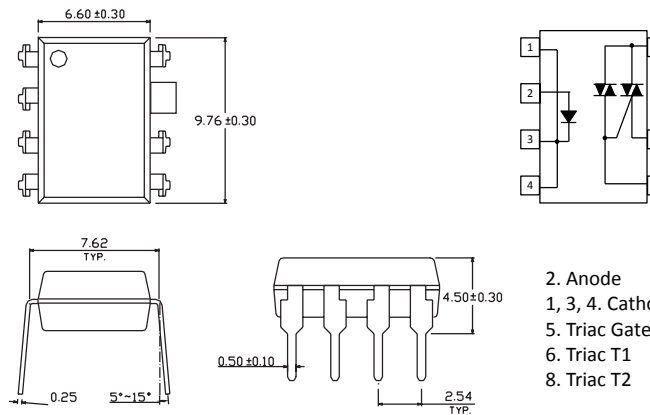


LED Anode 2
LED Cathode 1, 3, 4
Triac Gate 5
Triac T1 6
Triac T2, 8

Product	Size (LxWxHmm)	Number of Channels	V _F (V)	V _{DRM} (Max) (V)	V _{TM} (V)	V _{INH} (V)	I _T (rms) (mA)	I _{FT} (mA)	Topr (Min) (degC)	Topr (Max) (degC)	Viso (Vrms)
ELR0213	9.76x6.5x3.5	1	1.4	600	2.5	20	300	10	-40	85	5000
ELR1213	9.76x6.5x3.5	1	1.4	600	2.5	20	600	10	-40	85	5000
ELR2213	9.76x6.5x3.5	1	1.4	600	2.5	20	900	10	-40	85	5000
ELR3213	9.76x6.5x3.5	1	1.4	600	2.5	20	1200	10	-40	85	5000



UNIT : mm



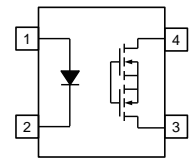
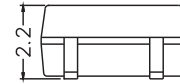
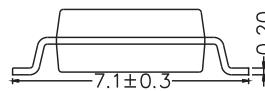
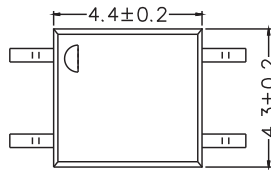
2. Anode
1, 3, 4. Cathode
5. Triac Gate
6. Triac T1
8. Triac T2

Product	Size (LxWxHmm)	Number of Channels	V _F (V)	V _{DRM} (Max) (V)	V _{TM} (V)	V _{INH} (V)	I _T (rms) (mA)	I _{FT} (mA)	Topr (Min) (degC)	Topr (Max) (degC)	Viso (Vrms)
ELR0223	9.76x6.5x3.5	1	1.4	600	2.5	-	300	10	-40	85	5000
ELR1223	9.76x6.5x3.5	1	1.4	600	2.5	-	600	10	-40	85	5000
ELR2223	9.76x6.5x3.5	1	1.4	600	2.5	-	900	10	-40	85	5000
ELR3223	9.76x6.5x3.5	1	1.4	600	2.5	-	1200	10	-40	85	5000

Photo Coupler | Solid State Relay | 4pin SOP-DC



UNIT : mm



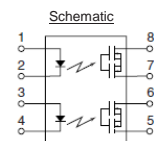
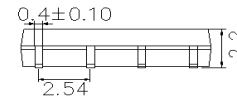
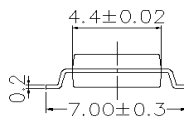
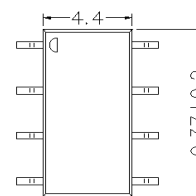
- 1. Anode
- 2. Cathode
- 3.4. Drain

Product	Size (LxWxHmm)	Number of Channels	Load Voltage (V)	Load Current (mA)	R _{ON} (typ)(Ω)	I _{Fon} (Max) (mA)	To _{pr} (Min) (degC)	To _{pr} (Max) (degC)	Viso (Vrms)
ELM440A	4.4x4.3x2.2	1	400	120	30	5	-40	85	3750
ELM460A	4.4x4.3x2.2	1	600	50	70	5	-40	85	3750

Photo Coupler | Solid State Relay | 8pin SOP-DC



UNIT : mm



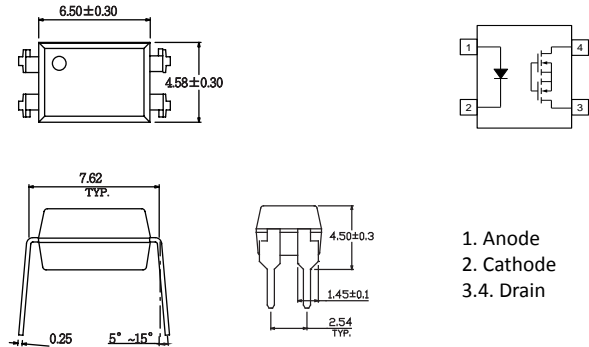
- Pin Configuration
- 1, 3 LED Cathode
 - 2, 4 LED Anode
 - 5,6,7,8 MOSFET

Product	Size (LxWxHmm)	Number of Channels	Load Voltage (V)	Load Current (mA)	R _{ON} (typ)(Ω)	I _{Fon} (Max) (mA)	To _{pr} (Min) (degC)	To _{pr} (Max) (degC)	Viso (Vrms)
ELM840A	9.37x4.4x2.2	2	400	120	30	5	-40	85	3750

Photo Coupler | Solid State Relay | 4Pin DIP-DC



UNIT : mm

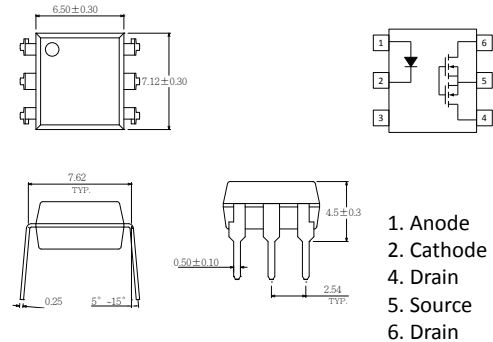


Product	Size (LxWxHmm)	Number of Channels	Load Voltage (V)	Load Current (mA)	R _{ON} (typ)(Ω)	I _{Fon} (Max) (mA)	Topr (Min) (degC)	Topr (Max) (degC)	Viso (Vrms)
EL406A	6.5x4.58x3.5	1	60	550	2.5	5	-40	85	5000
EL425A	6.5x4.58x3.5	1	250	150	15	5	-40	85	5000
EL440A	6.5x4.58x3.5	1	400	120	30	5	-40	85	5000
EL460A	6.5x4.58x3.5	1	600	50	70	5	-40	85	5000

Photo Coupler | Solid State Relay | 6Pin DIP-DC



UNIT : mm

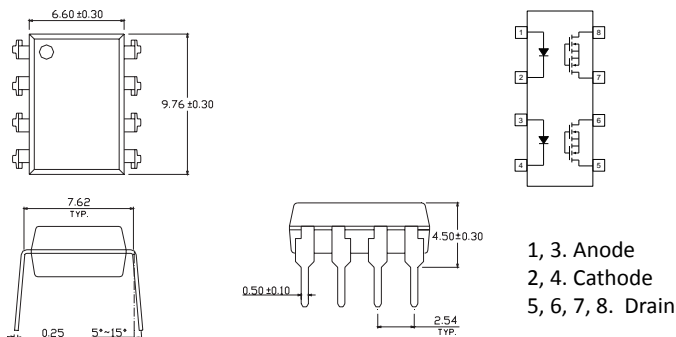


Product	Size (LxWxHmm)	Number of Channels	Load Voltage (V)	Load Current (mA)	R _{ON} (typ)(Ω)	I _{Fon} (Max) (mA)	Topr (Min) (degC)	Topr (Max) (degC)	Viso (Vrms)
EL606A	7.12x6.5x3.5	1	60	550	2.5	3	-40	85	5000
EL625A	7.12x6.5x3.5	1	250	150	15	3	-40	85	5000
EL640A	7.12x6.5x3.5	1	400	120	30	3	-40	85	5000
EL660A	7.12x6.5x3.5	1	600	50	70	3	-40	85	5000
EL606A3	7.12x6.5x3.5	1	600	2500	0.2	3	-40	85	5000

Photo Coupler | Solid State Relay | 8Pin DIP-DC

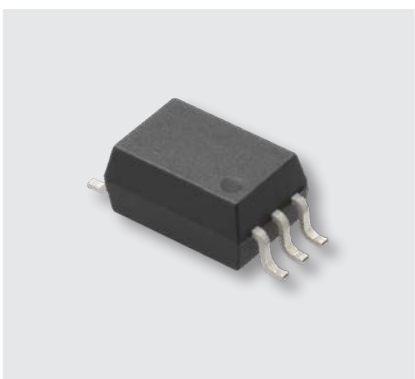


UNIT : mm

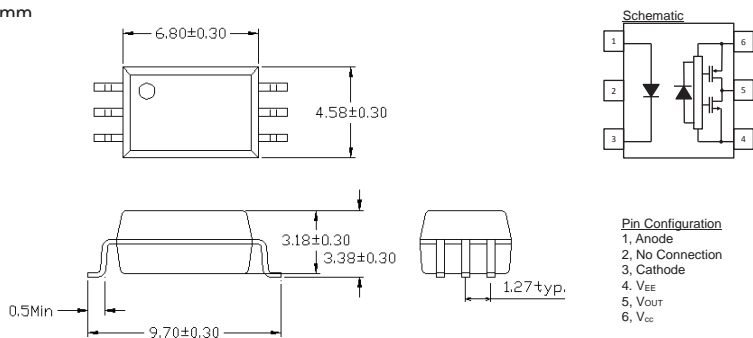


Product	Size (LxWxHmm)	Number of Channels	Load Voltage (V)	Load Current (mA)	R _{ON} (typ)(Ω)	I _{Fon} (Max) (mA)	To _{pr} (Min) (degC)	To _{pr} (Max) (degC)	Viso (Vrms)
EL840A	9.76x6.6x3.5	2	400	120	30	5	-40	85	5000
EL860A	9.76x6.6x3.5	2	600	50	70	5	-40	85	5000

Photo Coupler | IGBT Gate Driver | 6Pin SDIP-DC



UNIT : mm

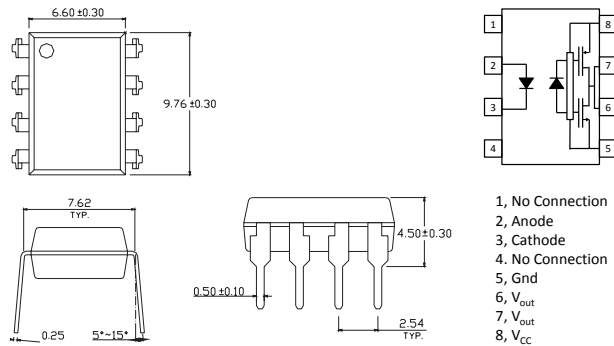


Product	Size (LxWxHmm)	Number of Channels	IFLH (Max) (mA)	VCC (Min) (V)	VCC (Max) (V)	tPHL (ns)	tPLH (ns)	Output Current (A)	CMR (V/us)	To _{pr} (Min) (degC)	To _{pr} (Max) (degC)	Viso (Vrms)
ELS3120	6.8x4.58x3.18	1	5	15	30	300	300	2.5	25000	-40	110	5000
ELS3150	6.8x4.58x3.18	1	5	15	30	400	400	1	15000	-40	110	5000

Photo Coupler | IGBT Gate Driver | 8Pin DIP-DC



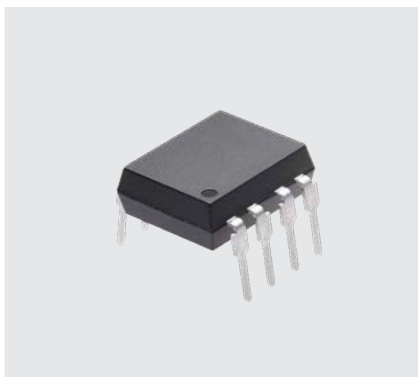
UNIT : mm



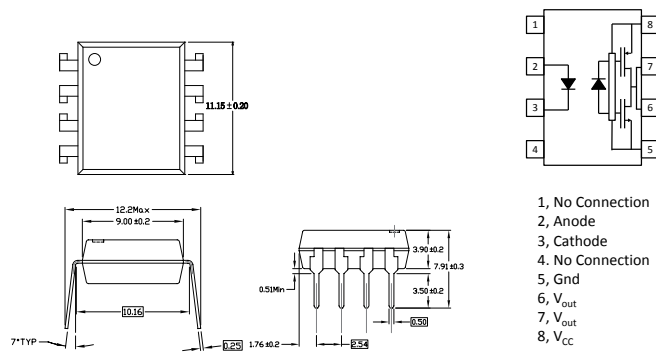
- 1, No Connection
- 2, Anode
- 3, Cathode
- 4, No Connection
- 5, Gnd
- 6, V_{out}
- 7, V_{out}
- 8, V_{cc}

Product	Size (LxWxHmm)	Number of Channels	IFLH (Max) (mA)	VCC (Min) (V)	VCC (Max) (V)	tPHL (ns)	tPLH (ns)	Output Current (A)	CMR (V/us)	Topr (Min) (degC)	Topr (Max) (degC)	Viso (Vrms)
EL3120	9.76x6.6x3.5	1	5	15	30	300	300	2.5	25000	-40	110	5000
EL3140	9.76x6.6x3.5	1	5	15	30	300	300	0.6	25000	-40	110	5000
EL3150	9.76x6.6x3.5	1	5	15	30	300	300	1	25000	-40	110	5000

Photo Coupler | IGBT Gate Driver | 8pin Wide Body DIP-DC



UNIT : mm



- 1, No Connection
- 2, Anode
- 3, Cathode
- 4, No Connection
- 5, Gnd
- 6, V_{out}
- 7, V_{out}
- 8, V_{cc}

Product	Size (LxWxHmm)	Number of Channels	IFLH (Max) (mA)	VCC (Min) (V)	VCC (Max) (V)	tPHL (ns)	tPLH (ns)	Output Current (A)	CMR (V/us)	Topr (Min) (degC)	Topr (Max) (degC)	Viso (Vrms)
ELW3120	11.15x9x3.9	1	5	15	30	300	300	2.5	25000	-40	110	5000

Photo Coupler

Notice

The content of this Catalogue is provided for informational purposes only. EVERLIGHT makes no representations about the accuracy, reliability, completeness of the information in this catalogue. EVERLIGHT may, at its sole discretion, revise the specifications, appearance, structures and materials herein without notice for the purpose of improvement. Please contact EVERLIGHT sales should you require more information on a product or its application.

This Catalogue does not contain any guarantee or agreed quality of EVERLIGHT's products or any warranty of merchantability, intellectual property, and fitness for a particular purpose. EVERLIGHT's obligation and responsibilities regarding its products are governed solely by the agreements under which they are sold. Unless otherwise agreed in writing, the information contained herein does not become part of the agreements.

The trademarks and logos ("Trademarks") displayed in this Catalogue are the property of EVERLIGHT and/or its affiliates. Nothing in this Catalogue should be construed as granting any licenses or right to the Trademarks. Without the express written consent of EVERLIGHT, the use of the Trademarks is prohibited.

All text, images, graphics and other materials contained in this Catalogue are subject to the copyright and other intellectual property rights of EVERLIGHT and/or its affiliates.

Structure and materials incorporated in LED packages may change according to customer's requests. Any LED package incorporating β -SiAlON phosphor are licensed by NIMS on the following Patents, Patent Publications and Patent Applications: Patent No. 3975451 (Japan), Patent No. 7,678,294 (US), Patent No. I-299055 (Taiwan), Patent No. ZL200580000742.3 (China), Patent Application No. 12/096,601 (US), Patent Application No. 2007-549180 (Japan), Patent Publication No. DE112005000044T5 (Germany), Patent Publication No.10-2007-0021140 (Korea), and Patent Publication No. EP1964905 (Europe).

EVERLIGHT

EVERLIGHT