

5

4

3

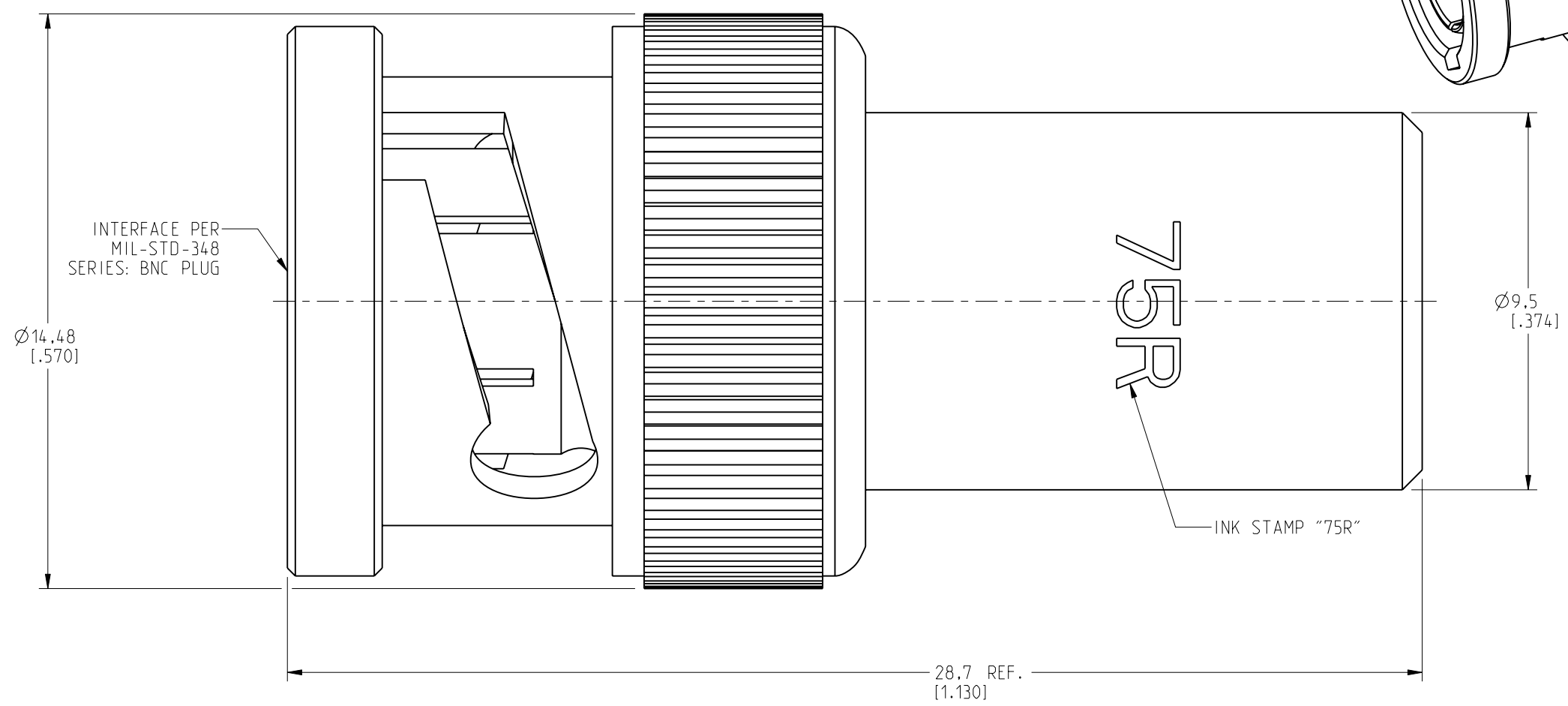
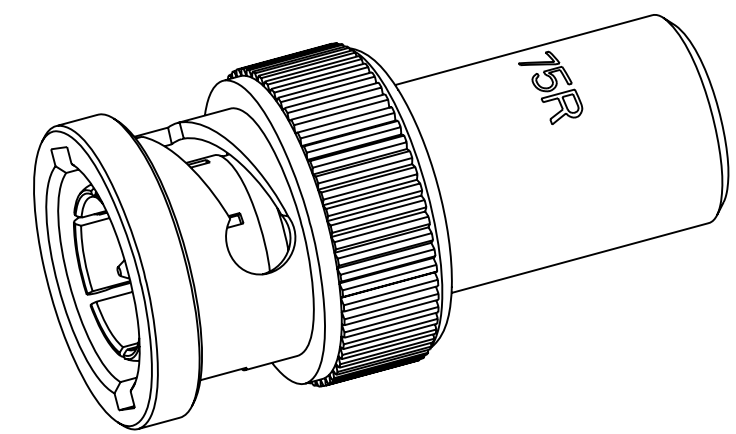
2

1

NOTES:

- 1. MATERIALS AND FINISHES:  
 RESISTOR - 1/2W 1% 75R  
 CONTACT PIN - BRASS, GOLD PLATING  
 SPRING - BERYLLIUM COPPER, NICKEL PLATING  
 GASKET - RUBBER, RED  
 SHELL - ZINC ALLOY, NICKEL PLATING  
 BODY - BRASS, NICKEL PLATING  
 INSULATOR - PTFE, NATURAL
- 2. ELECTRICAL:  
 A. IMPEDANCE: 75 OHM  
 B. FREQUENCY RANGE: 0-500 MHZ  
 C. VSWR (RETURN LOSS): 1.3 MAX.
- 3. MECHANICAL:  
 A. DURABILITY: 500 CYCLES MIN.  
 B. TEMPERATURE RANGE: -65°C TO + 165°C

REVISIONS				
REV	DESCRIPTION	DATE	ECN	BY
NC		--	----	--
B	SYNC, UPDATE DRAWING FORMAT	19-Nov-15	50883	MZ
C	THE MATERIAL OF SHELL WAS CHANGED	29-Oct-21	15791	SH
D	CHANGED NOTES 2.B & 2.C	11-Nov-21	15997	SH



**CUSTOMER OUTLINE DRAWING**  
 ALL OTHER SHEETS ARE FOR INTERNAL USE ONLY

NOTICE: These drawings, specifications, or other data (1) are, and remain the property of Amphenol corp. (2) must be returned upon request; and (3) are confidential and not to be disclosed to any person other than those to whom they are given by Amphenol Corp. The furnishing of these drawings, specifications, or other data by Amphenol Corp., or to any other person to anyone for any purpose is not to be regarded by implication or otherwise in any manner licensing, granting rights to permitting such holder or any other person to manufacture, use or sell any product, process or design, patented or otherwise, that may in any way be related to or disclosed by said drawings, specifications, or other data.		UNLESS OTHERWISE SPECIFIED DIMENSIONS ARE METRIC (INCHES) AND TOLERANCES ARE: <0.5mm = $\pm 0.05$ mm [ $<0.020 = \pm 0.002$ ] >0.5 - 6mm = $\pm 0.1$ mm [ $>0.020 - 0.236 = \pm 0.004$ ] >6.00 - 30mm = $\pm 0.2$ mm [ $>0.236 - 1.181 = \pm 0.008$ ] >30.00 - 120mm = $\pm 0.3$ mm [ $>1.181 - 4.725 = \pm 0.012$ ] ANGLES = $\pm 1^\circ$		MATERIAL SEE NOTES		TITLE BNC TERMINATOR PLUG		<b>Amphenol RF</b>	
THIRD ANGLE PROJ.  REFERENCE EAR#		ENGR.1 M.ZHANG ENGR.2 DATE 08-Jul-21		SHEET NO. 2 OF 2 SCALE: 7.0:1.0		SIZE B DRAWING NO. B1004A3-NT3G-75R-0.01-0.5W ITEM NO. 011004AAF00NAOF PART NO. 202119		REV D	

5

4

3

2

1