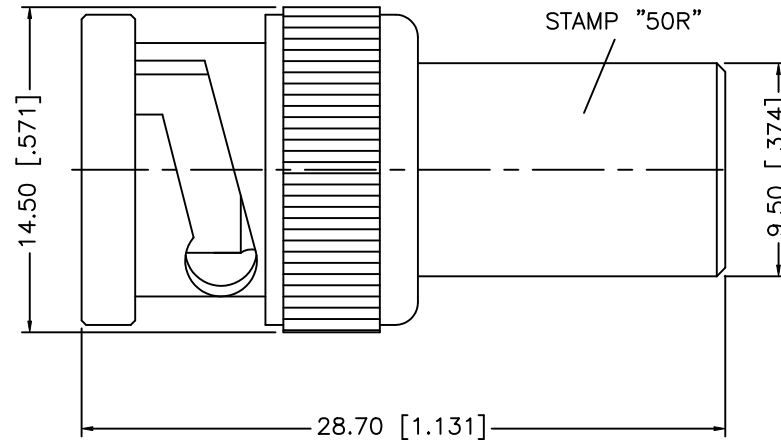


REV.	DATE	DESCRIPTION
NC	01/19/99	INITIAL RELEASE
A	03/13/08	UPDATE DRAWING FORMAT



NOTES:

1. RESISTOR TOLERANCE 50ohm – 5% – 0.5 WATT

				UNLESS OTHERWISE SPECIFIED DIMENSIONS ARE IN MILLIMETERS. DIMENSIONS IN [] ARE IN INCHES AND FOR CUSTOMER REFERENCE ONLY.	APPROVALS	DATE	Amphenol Connex						
8				UNLESS OTHERWISE SPECIFIED TOLERANCES FOR MILLIMETERS ARE: 0.5 – 8mm ± 0.20mm 8 – 30mm ± 0.40mm 30 – 120mm ± 0.50mm UNLESS OTHERWISE SPECIFIED TOLERANCES FOR INCHES ARE: .020 – .315 = ± 0.007" .315 – 1.180 = ± 0.015" 1.180 – 4.724 = ± 0.020"	DRAWN	G.R.S.					03/13/08	PART DESCRIPTION BNC TERMINATOR PLUG	
7					CHECKED								
6					ISSUED								
5					SHEET	1 OF 1							
4								PART NO. 202104					
3	CONTACT PIN	BRASS	GOLD		1				DWG. NO. 202104.DWG				
2	INSULATOR	TEFLON	NATURAL		1				REV. A				
1	BODY	BRASS	NICKEL		1				SIZE A				
DESCRIPTION				MATERIAL	FINISH	QTY	DO NOT SCALE DRAWING			SCALE NA			