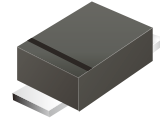


ACDBMS140-HF Thru. ACDBMS1100-HF

Reverse Voltage: 40 to 100 Volts

Forward Current: 1.0 Amp

RoHS Device
Halogen Free

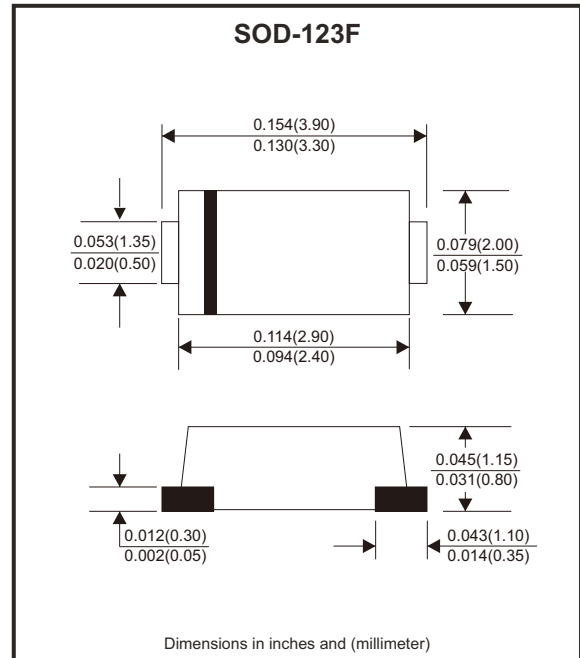


Features

- High current capability.
- Extremely low thermal resistance.
- For surface mount application.
- Low forward voltage.
- AEC-Q101 Qualified

Mechanical data

- Epoxy: UL 94V-0 rated flame retardant.
- Case: SOD-123F, molded plastic.
- Terminals: Lead Free Plating (Tin Finish) solderable per MIL-STD-202, method 208.
- Polarity: Indicated by cathode band.
- Weight: 0.022 grams (Approx.)



Circuit diagram



Maximum Ratings (at TA=25°C unless otherwise noted)

Parameter	Symbol	ACDBMS140-HF	ACDBMS160-HF	ACDBMS1100-HF	Unit
Max. Repetitive peak reverse voltage	V _{RRM}	40	60	100	V
Max. RMS voltage	V _{RMS}	28	42	70	V
Max. DC blocking voltage	V _{DC}	40	60	100	V
Max. average forward rectified current	I _F	1.0			A
Max. Instantaneous forward voltage I _F =1A @ 25°C	V _F	0.52	0.66	0.83	V
Peak forward surge current, 8.3ms single half sine-wave superimposed on rated load	I _{FSM}	30			A
Max. DC reverse current @TA=25°C at Rated DC blocking voltage @TA=100°C	I _R	0.5 20			mA
Typical junction capacitance (Note 1)	C _J	60		25	pF
Typical thermal resistance	R _{θJC}	45			°C/W
Operating temperature range	T _J	-50 to +125		-50 to +150	°C
Storage temperature range	T _{STG}	-55 to +150			°C

Note: 1. Measured at 1.0MHZ and applied reverse voltage of 4V DC.

Company reserves the right to improve product design , functions and reliability without notice.

Rating and Characteristic Curves (ACDBMS140-HF Thru. ACDBMS1100-HF)

Fig.1 - Typical Forward Current Derating Curve

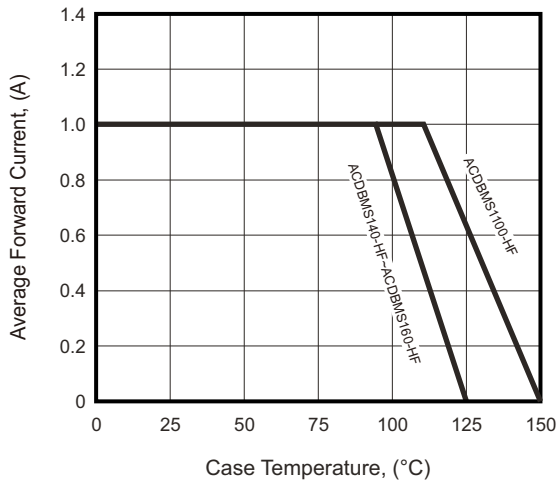


Fig.2 - Typical Forward Characteristics

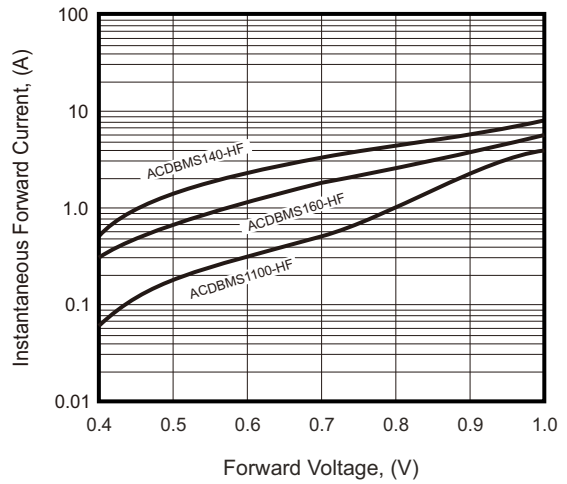


Fig.3 - Maximum Non-repetitive Forward Surge Current

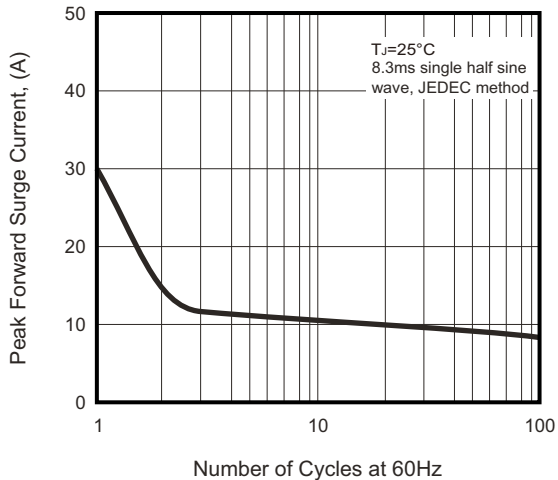


Fig.4 - Typical Reverse Characteristics

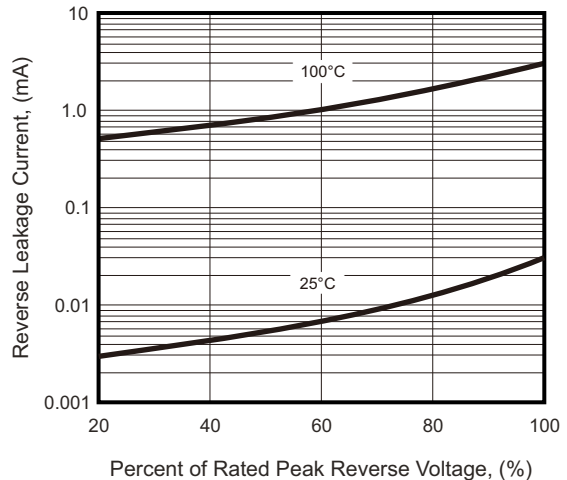
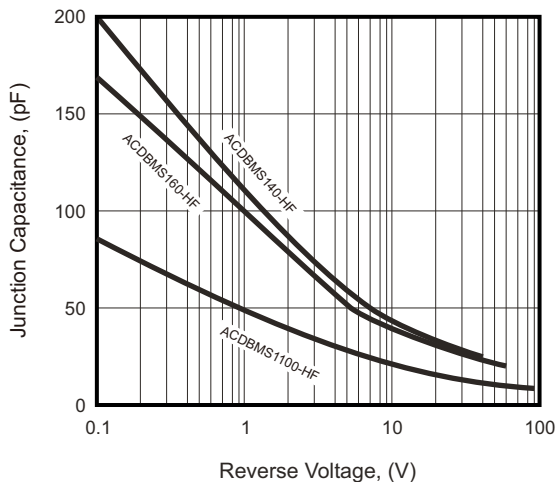
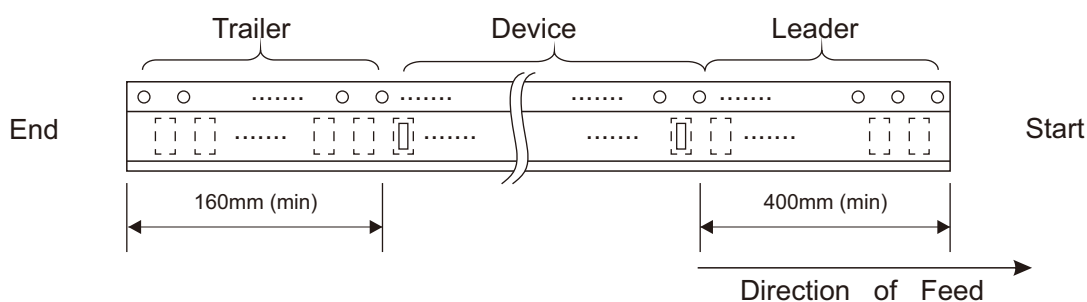
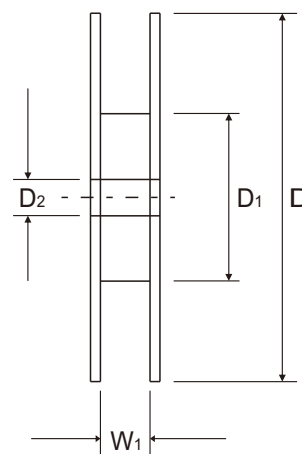
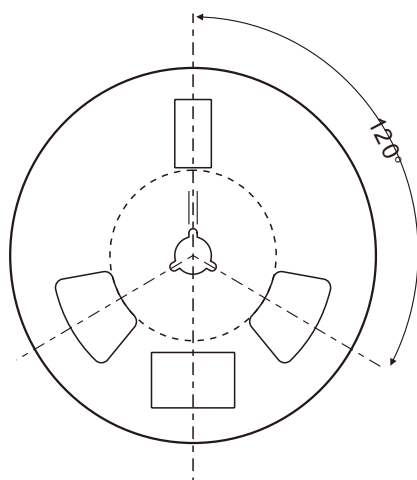
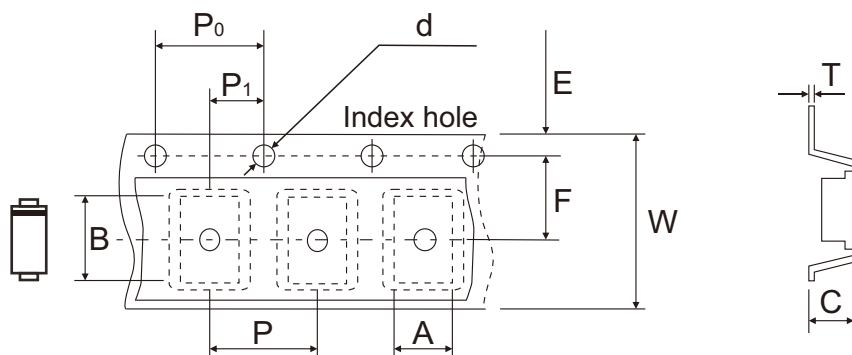


Fig.5 - Typical Junction Capacitance



Company reserves the right to improve product design, functions and reliability without notice.

Reel Taping Specification



SOD-123F	SYMBOL	A	B	C	d	D	D ₁	D ₂
	(mm)	2.05 ± 0.10	4.01 ± 0.10	1.32 ± 0.10	2.00 ± 0.10	178 Max.	50 Min.	13.30 ± 0.10
	(inch)	0.081 ± 0.004	0.158 ± 0.004	0.052 ± 0.004	0.079 ± 0.004	7.008 Max.	1.969 Min.	0.524 ± 0.004

SOD-123F	SYMBOL	E	F	P	P ₀	P ₁	T	W	W ₁
	(mm)	1.75 ± 0.10	3.50 ± 0.10	4.00 ± 0.10	4.00 ± 0.10	2.00 ± 0.05	0.24 ± 0.03	8.00 ± 0.30	9.30 ± 1.00
	(inch)	0.069 ± 0.004	0.138 ± 0.004	0.157 ± 0.004	0.157 ± 0.004	0.079 ± 0.002	0.009 ± 0.001	0.315 ± 0.012	0.366 ± 0.039

Company reserves the right to improve product design, functions and reliability without notice.

REV: B

Marking Code

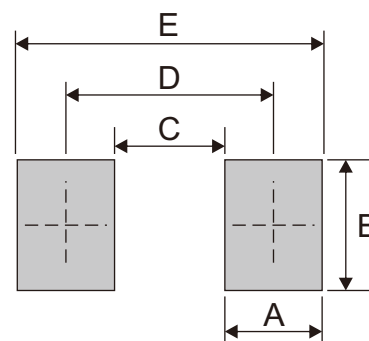
Part Number	Marking Code
ACDBMS140-HF	C4.
ACDBMS160-HF	C6.
ACDBMS1100-HF	CA.



XX = Product type marking code
“.” = Halogen Free

Suggested PAD Layout

SIZE	SOD-123F	
	(mm)	(inch)
A	1.34	0.053
B	1.80	0.071
C	1.52	0.060
D	2.86	0.113
E	4.25	0.167



Note: 1. The pad layout is for reference purposes only.

Standard Packaging

Case Type	REEL PACK	
	REEL (pcs)	Reel Size (inch)
SOD-123F	3,000	7