



CATALOGUE 2018-2019
OPTOELECTRONIC COMPONENTS

www.everlight.com

EVERLIGHT

EVERLIGHT

THE SOURCE OF LIGHT

EVERLIGHT Electronics Co., Ltd. was founded in 1983 in Taipei, Taiwan led by Chairman Robert Yeh, EVERLIGHT Electronics Co. have over 33 years of R&D experience for reliable capability. With immediate service and an excellent brand reputation, EVERLIGHT has taken top five in the competitive LED market. Our products are manufactured and packed in-house to guarantee maximum quality and service.

EVERLIGHT provides a diverse product portfolio consisting of High Power LEDs, SMD LEDs, Lamps, Lighting Components, LED Lighting Modules, Digital Displays, Opto-couplers and Infrared Components for various applications. Today, EVERLIGHT is a global company with over 6,400 employees based in China, Hong Kong, Japan, Korea, Singapore, Malaysia, India, Germany and U.S.A.

For more information, please visit our website :

www.everlight.com

CONTENTS

Alphanumeric Index	04
Conditions of RoHS	15
Application Notice	16
Technical Data	17

Visible LED

High Power LED		48	
Driver on Board		52	
Chip on Board		56	
Low Middle Power LED		64	
UV		82	
Flash LED	High Power Flash LED	2016 Package Dual Color	87
		2016 Package	88
		2016 Package HCRI Type	89
		1610 Package Dual Type	90
		1610 Package HCRI Type	90
		ELDA Series	91
		CSP Dual Color Type	91
		CSP HCRI Type	92
		Module Type	92
SMD LED	Subminiature LED Lamps (Leadframe)		93
	Surface Mount Chip LED (PCB)	Top View LED	95
		Top View 0402 (0.2T~0.5T)	96
	Surface Mount Chip LED (PCB)	Top View 0603 (0.2T~0.8T)	97
		Top View 0805	102
		Top View 1206	104
		Top View Mono Color	105
		Top View Bi-Color	106
		Top View Full Color	109
		Side View (0.2T~1.0T)	111
		Side View Bi-Color	114
		Side View Full Color	115
		Reverse Mount	116
		Reverse Mount Bi-color	118
	Surface Mount PLCC LEDs (Reflector)	Top View LED	119
		Top View Bi-Color	120
		Top View PLCC2	121
		Top View PLCC3	122
		Side View LED	123
LED Lamps	2mm Tower Type		124
	3mm Round Type		125
	5mm Round Type		129
	3mm Cylindrical		133
	Rectangular		134
LED Digital Displays	Chip On Board Display	Single Digit Display	136
		Dual Digit Display	137
		Three Digit Display	141
		Four Digit Display	142
	SMD Display	Single Digit Display	143
		Dual Digit Display	146
		Three Digit Display	147
		Four Digit Display	148
	Dot Matrix Display		149
	Light Bar Display		149
Signage LED	Surface Mount Chip LED (PCB)		150
	Surface Mount PLCC LED (Reflector)		154
	Lamp Type LED	3mm Oval Type	157
		5mm Oval Type	158
Automotive LED	Exterior Application	High Power LED	160
		Low Power LED	164
	Interior Application	Low Power LED	167
Backlighting LED	TV/Monitor	Application/TFT Edge	173
		Application/ TFT Direct	176
	Portable	Application/ Side View	178

Infrared LED, Sensors, Couplers

Infrared LED and Silicon Detector	Emitter	Lamp 3mm	184		
		Lamp 5mm	185		
		Piranha	189		
		Side Look	190		
		SMD	191		
	Infrared Receiver Module	Emitter	High Power	201	
			Photo Diode	DIP	202
				Side Look	204
				SMD	204
			Photo Transistor	DIP	210
Side Look		213			
Infrared Receiver Module		Photo Transistor	SMD	217	
			SMD	218	
			DIP	Vout-GND-Vcc	219
			SMD	Side -View	223
	Top -View			225	
	Optic-Fiber Device (Photo Link)	Standard Burst	SMD	228	
			Receiver (PLR) Component	229	
			Receiver (PLR) Module	231	
			Transmitter (PLT) Component	233	
			Transmitter (PLT) Module	235	
Optical Sensors	Ambient Light Sensor	Analog	237		
		Digital	242		
	Proximity Sensor	Digital	242		
	RGB Color Sensor	Single Color Sensor (Analog)	243		
	Reflective Sensor		244		
	Transmissive Sensor		248		
	Photo Coupler	Transistor	4Pin SSOP-AC	253	
4Pin SSOP-DC			253		
8Pin SSOP-DC			253		
16Pin SSOP-AC			254		
16Pin SSOP-DC			254		
4Pin SOP-AC			254		
4Pin SOP-DC			255		
8Pin SOP-DC			255		
8Pin SOP-DC			256		
4Pin LSOP-DC			256		
5Pin LSOP-DC			257		
4Pin DIP-AC			257		
4Pin DIP-DC			258		
6Pin DIP-AC			258		
6Pin DIP-DC			259		
8Pin DIP-DC		259			
16Pin DIP-DC		260			
Transistor Low Input Current		4pin LSOP-DC	260		
		4pin DIP-DC	260		
		4pin DIP-DC	261		
Transistor High Isolation		4pin DIP-DC	261		
		4Pin SOP-DC	261		
Darlington Transistor		4Pin DIP-DC	262		
		6Pin DIP-DC	263		
		8Pin DIP-DC	263		
Schmitt Trigger		6Pin DIP-DC	264		
		High Speed	5Pin SOP-DC	264	
High Speed		8Pin SOP-DC	265		
		8Pin DIP-DC	266		
		8Pin Wide Body DIP-DC	267		
		High Speed Low Input Current	8Pin DIP-DC	268	
Triac		4Pin SOP-DC	268		
		4Pin DIP-DC	269		
		5Pin DIP-DC	270		
		6Pin DIP-DC	271		
	Photo Power Triac	7pin DIP-DC	272		
Solid State Relay	4Pin DIP-DC	272			
	6Pin DIP-DC	273			
	8Pin DIP-DC	273			

ALPHANUMERIC INDEX

VISIBLE LED

3003	180	15-21/BHC-AN1P2/2T	104	17-215/G6C-BM1N2L/3T	103
3004	180	15-21/G6C-BK1L2VY/2T	104	17-215/G6C-FN2P2B/3T	103
3006	179	15-21/G6C-FM1N2B/2T	104	17-215/R6C-AQ1R2B/3T	103
99-616K	178	15-21/G6C-CP1Q1L/2T	104	17-215/S2C-AQ1R2B/3T	103
ELEM-KB4050F3F82838Z15-T4W	89	15-21/GHC-R2S2/2T	104	17-215/S2C-CP2R1B/3T	103
1003SUBD/S400-A6	135	15-21/GHC-YR1S1/2T	104	17-215-G6C-F5M1N2B0E-3T-AM	172
1003SUGD/S400-A4	135	15-21/R6C-AN1P2/2T	104	17-215-R6C-A0Q2R2B0E-3T-AM	172
1003SURD/S530-A3	135	15-21/R6C-FQ1R1B/2T	104	17-215-S3C-5UQ2R2B0E-3T-AM	172
1003SYGD/S530-E2	135	15-21/S2C-AL2M2VY/2T	104	17-215-Y2C-P9Q2S1B0E-3T-AM	172
103SURD/S530-A3	124	15-21/S2C-AQ2R2B/2T	104	17-223/BHR7C-C30/3C	114
103SYGD/S530-E2	124	15-21/S3C-AP1Q2/2T	104	18-035BD/BDR6GASY-CS01/10T	151
103UYD/S530-A3	124	15-21/T1D-CP1Q2TY/2T	104	18-036AB/BDGAR6SY-CS01/10T	150
12-11/BHC-ZL1M2QY/2C	111	15-21/T7D-JQ2S1PY/2T	104	18-036BD/BDR6GASY-CS01/10T	151
12-21/BHC-AN1P2/2C	111	15-21/Y2C-AN1P2/2T	104	18-038BT/BDGAR6S1-CS01/10T	153
12-21/BHC-ZL1M2RY/2C	111	15-21/Y2C-CP1Q2B/2T	104	18-038BT/BDGAR6S1-CS01/10T	150
12-21/GHC-YR2S2/2C	111	15-215/G7C-BN1P2B/2T	104	18-039AB/BDGAR6S1-CS40/10T	153
12-21/R8C-AN1P2B/2D	111	15-215/R6C-AM2P1VY/2T	104	18-039B/BDR6GAS1-CS01/10T	150
12-21/T3D-AQ2S2M/2C	111	15-215/R6C-AP1Q1L/2T	104	18-218/T1D-AN2Q1B3X/6T	105
12-215/BHC-AN1P2/3C	112	15-21-G6C-A0N1P2B0E-2T-AM	171	18-225/B6R6C-C01/3T	106
12-215/BHC-XL1M2HY/3C	112	15-21-R6C-BQ01R2B0E-2T8-AM	171	18-225/R6G6C-A01/3T	106
12-215/G6C-AL2M2B/3C	112	15-21-Y2SC-A0S1T1B25E-2T-AM	171	18-225/S2G6C-A01/3T	106
12-215/G6C-BP1Q2L/3C	112	15-22/R6G6C-A32/2T	106	18-225A/R6GHW-B01/3T	106
12-215/R6C-AR1S1B/3C	112	15-22/R6GHC-A01/2T	106	19-049/GABDR6GAS1-CS01/4T	152
12-215/T1D-ANPHY/3C	112	1533SURD/S530-A3	135	19-117/BHC-YJ2K2X/3T	97
12-215/Y2C-BR1S1L/3C	112	1533UYD/S530-A3	135	19-117/BHC-ZL1M2RY/3T	97
12-215/Y2C-CP1Q2B/3C	112	16-213/BHC-AN1P2/3T	96	19-117/T1D-AP2Q2QY/3T	97
12-215/Y2C-CQ1R1B/3C	112	16-213/BHC-ZL1M2QY/3T	96	19-118/BHC-ZL1M2QY/3T	97
12-21C/BHC-AN1P2/2C	111	16-213/GHC-YR1S1/3T	96	19-123/Y2ST1D-C30/2T	107
12-21C/BHC-YL1M2HY/2C	111	16-213/R6C-A2225VZ/3T	96	19-137/R6GHBHC-A01/2T	109
12-21C/T3D-CP1Q2B12Y/2C	111	16-213/T3D-AP1Q2QY/3T	96	19-21/B6C-AP2Q2M/3T	98
12-22/BHR6C-A01/2C	114	16-213/T7D-AQ1R1QY/3T	96	19-21/BHC-AP1Q2/3T	98
12-22/G6R8C-A30/2C	114	16-216/T3D-AQ1R2TY/3T	96	19-21/BHC-YL1M1RY/3T	98
12-22/R6GHC-A30/2C	114	16-219A/T2D-AR2T1QY/3T	96	19-21/BHC-ZQ1R2N/3T	98
12-22/Y2G6C-A30/2C	114	16-916/T1D-AP1Q2QY/3T	112	19-21/G6C-AL1M2LY/3T	98
12-23C/R6GHBHC-A01/2C	115	17-21/BHC-AN1P2/3T	102	19-21/G6C-FM1N2B/3T	98
12-23C/S2GHBHC-A01/2C	115	17-21/BHC-AP1Q2/3T	102	19-21/G6C-CP1Q1L/3T	98
1224SDRC/S530-A4	126	17-21/BHC-XLMJY/3T	102	19-21/GHC-YN1P2QY/3T	98
1224SUGC/S400-A5	126	17-21/G6C-AN1P1B/3T	102	19-21/GPC-FL1M2B/3T	98
1224SURC/S530-A3	126	17-21/G6C-AP1Q1B/3T	102	19-21/R6C-AL2N1VY/3T	98
1224SYGC/S530-E2	126	17-21/G6C-FM1N2B/3T	102	19-21/R6C-CP1Q2L/3T	98
1224USOC/S530-A3	126	17-21/G6C-FN1P2B/3T	102	19-21/R7C-AK1L2BY/3T	98
1224UTC/S400-A6	126	17-21/G6C-CP1Q1B/3T	102	19-21/R7C-AN2Q1B/3T	98
1224UYC/S530-A3	126	17-21/GHC-XS1T2M/3T	102	19-21/R8C-FN2Q1L/3T	98
1254-10SDRT/S530-A3	127	17-21/GHC-YR1S2/3T	102	19-21/S2C-AL2M2VY/3T	98
1254-10SURT/S530-A3	127	17-21/GPC-AK0M1B/3T	102	19-21/S2C-AQ1R2B/3T	98
1254-10SYGT/S530-E2	127	17-21/GVC-AMPB/3T	102	19-21/T1D-ANPHY/3T	98
1254-10UYD/S530-A3	127	17-21/R6C-AN2Q1B/3T	102	19-21/T1D-CPQTY/3T	98
1254-10UYOT/S530-A3	127	17-21/R6C-AP1Q2L/3T	102	19-21/Y2C-AL1M2VY/3T	98
1259-7SDRSYGW/S530-A3	127	17-21/R7C-AN2Q1B/3T	102	19-21/Y2C-CP1Q2B/3T	98
1259-7SURSYPGW/S530-A3	127	17-21/S2C-AN1P2B/3T	102	19-213/Y2C-CQ1R2/3T	100
1259-7UYSYGW/S530-A3	127	17-21/S2C-AP1Q2B/3T	102	19-213/B7C-AQ2S1B2/3T	100
1383-2SDRD/S530-A3	131	17-21/T1D-ANPHY/3T	102	19-213/BHC-AN1P2/3T	100
1383-2SURD/S530-A3	131	17-21/T1D-CP2R1TY/3T	102	19-213/G6C-AP1Q2/3T	100
1383SYGD/S530-E2	131	17-21/T1D-KN2P2HY/3T	102	19-213/G6C-BM1N2B/3T	100
1383UYD/S530-A3	131	17-21/Y2C-AN1P2/3T	102	19-213/G6C-FN2Q1L/3T	100
15-11/BHC-AN1P2/2T	103	17-21/Y2C-CN1P2B/3T	102	19-213/G6W-FN1P1B/3T	100
15-11/BHC-ZL2N1QY/2T	103	17-21/Y2C-CP2Q2B/3T	102	19-213/GHC-XS1T1N/3T	100
15-13D/R6GHBHC-A01/2T	109	17-215/B6C-YP2R2/3T	103	19-213/GHC-YP1Q2QY/3T	100
15-21/B6C-YR1S2B2/2T	104	17-215/BHC-AN1P2/3T	103	19-213/GHC-YR1S2/3T	100
15-21/B6C-ZQ1R1N/2T	104	17-215/BHC-BP2Q2M/3T	103	19-213/R6C-AM2P1VY/3T	100

19-213/R6C-AN1P2/3T	100	204-10SUBC/S400-A4	124	3294-15SURC/S400-A7	128
19-213/R6C-AN2Q1B/3T	100	204-10SUGC/S400-A5	124	3294-15UBGC/S400-A6	128
19-213/R6C-AP1Q2B/3T	100	204-10SURD/S530-A3	124	333/B1C1-ARUA/MS	159
19-213/R6C-AQ1R2B/3T	100	204-10SYGD/S530-E3	124	333/G1C1-AWYA/MS	159
19-213/R8C-FN1P2/3T	100	204-10UYD/S530-A3	124	333/R7C1-AUWB/P/MS	159
19-213/S2C-AN1P2B/3T	100	204-10UYOC/S530-A3	124	333/Y7C1-ATWB/P/MS	159
19-213/S3C-AN2P2B/3T	100	209SDRSYGW/S530-A3	125	333-2SDRC/S530-A4	130
19-213/T1D-ANPHY/3T	100	209SURSYPGW/S530-A3	125	333-2SUBC/C470/S400-A6	130
19-213/Y2C-AP1Q2B/3T	100	22-21/BHC-AN1P2/2C	113	333-2SUGC/S400-A5	130
19-213/Y2C-CN1P2/3T	100	22-21/GHC-YR1S2/2C	113	333-2SURC/S400-A8	130
19-213/Y2C-CP1Q2L/3T	100	22-23/R6GHBHC-A01/2C	115	333-2SYGC/S530-E2	130
19-213/Y2C-CQ2R2L/3T	100	22-23C/R6GHBHW-A01/2C	152	333-2UYC/S400-A4	130
19-213A/T1D-CP2Q2HY/3T	99	22-23C/R6GHBHW-C01/2C	115	333-2UYC/S530-A3	130
19-213-G6SC-MOP1Q1B0E-3T-AM	172	23-21/G6C-AL2N1/2T	116	333-2UYOC/S530-A3-L	130
19-213-R6C-AOR2S2B0E-3T-AM	172	23-21/GHC-YR2T1/2A	116	334-15/F1C1-1XZA	130
19-213-S3SC-B0S1T1B0E-3T-AM	172	23-21/R6C-AM1N2AY/2A	116	334-15/F1C2-7VXA	130
19-213-Y2SC-9AS1T1B0E-3T-AM	172	23-21/R8C-AN2Q1B/2T	116	334-15/F1C5-1RTA	130
19-217/B9C-ANQE/3T	99	23-215A/BHC-DN2P2E/5	117	334-15/T1C1-4WYA	130
19-217/BHC-AN1P2/3T	99	23-21B/BHC-AN1P2/2A	116	334-15/T1C3-2TVA	130
19-217/BHC-XK1L2B11X/3T	99	23-21B/BHC-ZM1N2TY/2A	116	334-15/T1C5-7QSA	130
19-217/BHC-YL2M2TY/3T	99	23-21B/G6C-AM2P1/2A	116	334-15/T2C2-1TWB	130
19-217/G7C-AL1M2B/3T	99	23-21B/S2C-AP1Q2B/2A	116	334-15/T2C3-2TVC	130
19-217/GHC-YR1S2/3T	99	23-21B/T1D-ANQHY/2A	116	334-15/T2C5-1QSB	130
19-217/R6C-P1Q2/3T	99	23-21B/T1D-CP2Q2TY/2A	116	334-15/X1C2-1UWA	130
19-217/S2C-AL1M2VY/3T	99	23-21B/W1D-ANQHY/2A	116	334-15/X1C5-1QSA	130
19-217/S3C-AL2N1VY/3T	99	23-21C/T1D-CP2Q2TY/2A	116	334-15/X2C1-1WYB	130
19-217/T1D-ANPHY/3T	99	23-22B/R7G6C-A30/2T	118	334-15/X2C3-1TVA	130
19-217/T1D-JP1Q2QY/3T	99	23-22B/S2BHC-C30/2A	118	334-15/X2C5-1PSB	130
19-217/Y5C-AM1N1VY/3T	99	23-22C/S2BHC-B30/2A	118	336SURSYPGW/S530-A3	129
19-217/Y5C-APQB/3T	99	23-23B/R6GHBHC-A01/2A	118	336SYGSYGD/S530-E2	129
19-217/Y5C-AQ2R2/3T	99	24-21/BHC-AN1P2/2A	117	336UYSYGW/S530-A3	129
19-218/BHC-ZL1M2QY/3T	101	24-21/GHC-YR2T1/2A	117	339-1SURSYPGW/S530-A3	131
19-218/GHC-YR1S2M/3T	101	264-7SDRC/S530-A3	125	339-1UYSYGW/S530-A3	131
19-218/R6C-AL1M2VY/3T	101	264-7SUBC/S400-X9	125	339-1UYUBW/S530-A4	131
19-218/R6C-FM2P1B7Y/3T	101	264-7SUGC/S400-A5	125	3474BABR	157
19-218/T1D-CQ2R2TY/3T	101	264-7SURC/S400-A8	125	3474BAGR	157
19-219/T3D-AQ2R2TY/3T	101	264-7SYGC/S530-E3	125	3474BARR	157
19-219/T7D-AV1W1E/3T	101	264-7UYC/S400-A9	125	3474BKBR/MS	157
19-219/Y5C-AM1N2VY/3T	101	264-7UYOC/S530-A3	125	3474BKGR/MS	157
19-22/G6R6C-A31/2T	107	27-21/BHC-AN1P2/3C	113	3474BKRR/MS	157
19-22/R6BHC-B01/2T	107	27-21/BHC-AP1Q2/3C	113	3474DKBR/MS	157
19-22/R6G6C-A01/2T	107	27-21/GHC-YR1S2M/3C	113	3474DKGR/MS	157
19-22/R6GHC-C02/2T	107	27-21/R6C-AP1Q2B/3C	113	3474DKRR/MS	157
19-22/Y2G6C-A14/2T	107	27-21/T1D-ANPHY/3C	113	37-21S-NKK2C-H5050M41N42936Z6-2T-FS	88
19-223/G6S2C-A01/2T	108	27-21/T1D-CQ1R2NW/3C	113	383-2SDRC/S530-A3	131
19-223/R6BHC-A05/2T	108	27-21/T3D-AP2Q2HY/3C	113	383-2SUBC/C470/S400-A6	131
19-223/R6G6C-A01/2T	108	27-21/Y2C-CPQB/3D	113	383-2SUGC/S400-A4	131
19-223/R7BHC-A30/2T	108	28-21SDRC/S530-A3/TR8	93	383-2SURC/S530-A3	131
19-223/R7G6C-A01/2T	108	28-21SURC/S530-A2/TR8	93	383-2SYGC/S530-E2	131
19-223/S2BHC-A01/2T	108	28-21UYC/S530-A3/TR8	93	383-2USOC/S530-A6	131
19-223/S2T1D-C30/2T	108	3014U-C70800H-2731 -AM	167	383-2UYC/S530-A3	131
19-223/Y2G6C-A01/2T	108	3030 2.1Ø	176	414-10SURD/S530-A3	133
19-226/R6BHC-B01/2T	108	313-2SUBC/C470/S400-A4	129	414-10UYD/S530-A3	133
19-226/R6G7C-B02/2T	108	313-2SYGC/S530-E2	129	4204-10SURC/S530-A3	128
19-226/R6GHC-A03/2T	108	313-2UYD/S530-A3	129	4204-10SYGC/S530-E4	128
19-237/R6GHBHC-A04/2T	109	323-2SDRD/S530-A3	129	42-21/BHC-AUW/1T	95
19-237A/BHR6GHC-A01/2T	110	323-2SURD/S530-A3	129	42-21A/BHC-ZV1W2N/1T	95
19-237B/R6GHBHC-C01/2T	110	323-2SYGD/S530-E2	129	42-21A/GHC-YX1Y2N/1T	95
19-337/R6GHBHC-A01/2T	110	3294-15SUBC/S400-A6	128		
204-10SDRD/S530-A3	124	3294-15SUGC/S400-A6	128		

ALPHANUMERIC INDEX

VISIBLE LED

423-2SUBC/S400-X9	133	62-227D/KK9D-H3030X6Y62629U6/2T	81	67-21/B3C-BN1Q2N/2T	122
423-2SURC/S530-A3	133	62-227D/KK9D-H3535X6Y82629U6/2T	81	67-21/B7C-AS2U1N/2T	122
423-2UYC/S530-A6	133	62-227D/KK9D-H4040X8Y82629U6/2T	81	67-21/GBC-YY2W2N/2T	122
423-2UYOC/S530-A6	133	62-227D/KK9D-H5050X9Y92629U6/2T	81	67-21/GHC-AS2U1B1Z/2T	122
48-213/BHC-ZM2P1QY/3C	113	62-227D/KK9D-H5757X9Y92629U6/2T	81	67-21/GHC-BV1/2T	122
48-213/R6C-AM1N2VY/3C	113	62-227D/KK9D-H6565X8Y82629U6/2T	81	67-21/R6C-AP2R1B/2T	122
48-213/T2D-AQ2R2QY/3C	113	62-227ET/KK7D-3M2727X2Y22530U6/2T	81	67-21/R6C-FN2Q1BZ/2T	122
48-213/T3D-AP1Q2TY/3C	113	62-227ET/KK7D-3M3030X3Y32530U6/2T	81	67-21/R6C-FR2T1B/2T	122
48-213/T7D-AQ1R2QY/3C	113	62-227ET/KK7D-3M3535X3Y32530U6/2T	81	67-21/R6C-FS1U1B/2T	122
484-10SURT/S530-A3	126	62-227ET/KK7D-3M4040X5Y52530U6/2T	81	67-21/RSC-FT2V1B/2T	122
484-10SYGT/S530-E2	126	62-227ET/KK7D-3M5050X6Y62530U6/2T	81	67-21/S2C-FQ2R2B/2T	122
484-10UYOC/S530-A3	126	62-227ET/KK7D-3M5757X6Y62530U6/2T	81	67-21/S3C-AS1T1/2T	122
484-10UYT/S530-A3	126	62-227ET/KK7D-3M6565X5Y52530U6/2T	81	67-21/T2C-ZV1W2E/2T	122
494-10SURT/S530-A3	126	62-227ET/KK8D-3M2727X4Y42530U6/2T	81	67-21/Y2C-BR2T1B/2T	122
494-10SYGT/S530-E2	126	62-227ET/KK8D-3M3030X5Y52530U6/2T	81	67-21/YSC-FU1V2B/2T	122
50-315C	174	62-227ET/KK8D-3M3535X5Y52530U6/2T	81	67-21S/B3C-D5060D5D72936Z6/2T	80
50-315Z-C70600L-AM	167	62-227ET/KK8D-3M4040X7Y72530U6/2T	81	67-21S/HK3C-H2727LBM42936Z6/2T	69
50-415	173	62-227ET/KK8D-3M5050X8Y82530U6/2T	81	67-21S/HK3C-H3030L9N32936Z6/2T	69
50-515	173	62-227ET/KK8D-3M5757X8Y82530U6/2T	81	67-21S/HK3C-H3535L9N32936Z6/2T	69
50-625P	174	62-227ET/KK8D-3M6565X7Y72530U6/2T	81	67-21S/HK3C-H4040M3N42936Z6/2T	69
513SURD/S530-A3	134	63-119-BHD-ZM1N2TY-3T	105	67-21S/HK3C-H5050M3N42936Z6/2T	69
513SYGD/S530-E2	134	63-119-T1D-AN2Q1TY-3T	105	67-21S/HK3C-H5757M3N42936Z6/2T	69
513UYD/S530-A3	134	6324-15SUBC/S400-X10	132	67-21S/HK3C-H6565M3N42936Z6/2T	69
519-19SURYGW/S530-A3	134	6324-15SUGC/S400-A5	132	67-21S/HK4C-H2727QA1R32834Z15/2T	70
523-2SDRD/S530-A3	134	6324-15SURC/S400-A9	132	67-21S/HK4C-H3030R1R42834Z15/2T	70
523-2SUGD/S400-A6	134	6364/BADA-AHKA/P/MS	158	67-21S/HK4C-H4040R11R42834Z15/2T	70
523-2SURD/S530-A3	134	6364/BADA-AKMA/P/MS	158	67-21S/HK4C-H5050R2R52834Z15/2T	70
523-2UYD/S530-A3	134	6364/GADA-ANQA/P/MS	158	67-21S/HK4C-H5757R2R52834Z15/2T	70
523SYGD/S530-E2	134	6364/GADA-AQSA/P/MS	158	67-21S/HK4C-H6565R2R52834Z15/2T	70
5484BN/BADC-AFHA/P/MS	158	6374/R7DA-AJKB/P/MS	158	67-21S/KK4C-H2727M4N42833Z6/2T	67
5484BN/BADC-AGJA/P/MS	158	6374/R7DA-AKMB/P/MS	158	67-21S/KK4C-H3030M42P32833Z6/2T	67
5484BN/GADC-ALMA/P/MS	158	6374/Y7DA-AJKB/P/MS	158	67-21S/KK4C-H3535M42P32833Z6/2T	67
5484BN/GADC-AMNA/P/MS	158	6374/Y7DA-ALNB/P/MS	158	67-21S/KK4C-H4040N3P32833Z6/2T	67
5484BN/R7DC-AGJB/P/MS	158	65-11/BHC-AR1S2B2/2T	121	67-21S/KK4C-H5050N3P32833Z6/2T	67
5484BN/R7DC-AHJB/P/MS	158	65-11/T2C-FV1W2E/2T	121	67-21S/KK4C-H5757N3P32833Z6/2T	67
57-11-C70200H-AM	169	65-11-C70200H-AM	168	67-21S/KK4C-H6262N3P32833Z6/2T	67
57-11-IB0100L-AM	169	65-11-IB0100L-AM	168	67-21S/KK4C-H6565N3P32833Z6/2T	67
57-11-SB0100L-AM	169	65-11-SB0100L-AM	168	67-21S/KK4C-M2727V7X72532U6/2T	67
57-11-UB0200H-AM	169	65-11-UB0200L-AM	168	67-21S/KK4C-M3030V8X82532U6/2T	67
57-11UTC/S827-1/TR8	123	65-11-UG0200H-AM	168	67-21S/KK4C-M3535V8X82532U6/2T	67
57-21/R6C-AP1Q2B/BF	123	65-21/G6C-AN2Q1/3T	121	67-21S/KK4C-M4040V9X92532U6/2T	67
57-21SYGC/S530-E3/TR8	123	65-21/Y2C-CJ2L2X/3T	121	67-21S/KK4C-M5050X0Y02532U6/2T	67
57-21-UR0200H-AM	169	65-21/Y2SC-AR1S2B/2T	121	67-21S/KK4C-M5757X0Y02532U6/2T	67
57-21-UY0200H-AM	169	65-21/Y2SC-FR2S1B/2T	121	67-21S/KK4C-M6565V9X92532U6/2T	67
583SURD/S530-A3	133	65-21-UR0200H-AM	168	67-21S/KK5C-3M2727V8X82530U6/2T	67
583SYGD/S530-E2	133	65-21-UY0200H-AM	168	67-21S/KK5C-3M3030V9X92530U6/2T	67
583UYD/S530-A3	133	67-01/Y2W-MV1W1/2T/MS	154	67-21S/KK5C-3M3535V9X92530U6/2T	67
594SURD/S530-A3	135	67-03A/R6GHBHW-A01/2T/MS	154	67-21S/KK5C-3M4040X0Y02530U6/2T	67
594SYGD/S530-E2	135	67-11/BHC-FQ2S1F/2T	121	67-21S/KK5C-3M5050X1Y12530U6/2T	67
594UYD/S530-A3	135	67-11/W1C-ES1T2N/2T	121	67-21S/KK5C-3M5757X1Y12530U6/2T	67
594UYD/S530-A3	135	67-11/W1C-FV1W2F/2T	121	67-21S/KK5C-3M6565X0Y02530U6/2T	67
62-112	175	67-11-C70200H-AM	165	67-21S/KK5C-H272333Z6/2T	68
62-117D-C80650H-AM	167	67-11-C70201H-AM	165	67-21S/KK5C-H2727M42N42833Z6/2T	69
62-117D-N80650H-AM	167	67-11-IB0100L-AM	165	67-21S/KK5C-H2727R2R52834Z15/2T	70
62-117D-W80650H-AM	167	67-11-SB0100L-AM	165	67-21S/KK5C-H302433Z6/2T	68
62-123PAUN3W/F120135VM68PBD-T	176	67-11S-C80600H-AM	167	67-21S/KK5C-H3030N3N42833Z6/2T	69
62-125	175	67-11S-N80600H-AM	167	67-21S/KK5C-H3030R3R62834Z15/2T	70
62-129P	175	67-11S-W80600H-AM	167	67-21S/KK5C-H3535N3N42833Z6/2T	69
62-223PUNC/F125150ZM35SBE-T	177	67-11-UB0200H-AM	165	67-21S/KK5C-H402633Z6/2T	68
62-227D/KK9D-H2727X5Y52629U6/2T	81	67-11-UG0200H-AM	165	67-21S/KK5C-H4040N3P1Q2833Z6/2T	69

67-21S/KK5C-H4040R3R62834Z15/2T	70	67-22ST/KK4C-H27115200Z5/2T	72	67-23ST/KK4C-H2727S2BS59099Z10/2T	76
67-21S/KK5C-H502633Z6/2T	68	67-22ST/KK4C-H27120200Z5/2T	72	67-23ST/KK4C-H3030R5BR88496Z6/2T	75
67-21S/KK5C-H5050N32P02833Z6/2T	69	67-22ST/KK4C-H27125200Z5/2T	72	67-23ST/KK4C-H3030S3S69099Z10/2T	76
67-21S/KK5C-H5050R4R72834Z15/2T	70	67-22ST/KK4C-H27125200Z5/2T	72	67-23ST/KK4C-H3535S3S69099Z10/2T	76
67-21S/KK5C-H572633Z6/2T	68	67-22ST/KK4C-H27130200Z5/2T	72	67-23ST/KK4C-H4040R6S18496Z6/2T	75
67-21S/KK5C-H5757N32P02833Z6/2T	69	67-22ST/KK4C-H27130200Z5/2T	72	67-23ST/KK4C-H4040S3S69099Z10/2T	76
67-21S/KK5C-H5757R4R72834Z15/2T	70	67-22ST/KK4C-H2727R2R55670Z8/2T	73	67-23ST/KK4C-H5050R6S18496Z6/2T	75
67-21S/KK5C-H6060N32P02833Z6/2T	69	67-22ST/KK4C-H2727R4R7A9Z3/2T	73	67-23ST/KK4C-H5050S3BS69099Z10/2T	76
67-21S/KK5C-H652633Z6/2T	68	67-22ST/KK4C-H2727S2BS65670Z15/2T	74	67-23ST/KK4C-H5757R6S18496Z6/2T	75
67-21S/KK5C-H6565N32P02833Z6/2T	69	67-22ST/KK4C-H3030R3R65670Z8/2T	73	67-23ST/KK4C-H5757S3BS69099Z10/2T	76
67-21S/KK5C-H6565R4R72834Z15/2T	70	67-22ST/KK4C-H3030R5R8A7A9Z3/2T	73	67-23ST/KK4C-H6060R6S18496Z6/2T	75
67-21S/KK6C-H2727R3R62834Z15/2T	70	67-22ST/KK4C-H3030S3S75670Z15/2T	74	67-23ST/KK4C-H6565R6S18496Z6/2T	75
67-21S/KK6C-H3030R4R72834Z15/2T	70	67-22ST/KK4C-H3535R5R8A7A9Z3/2T	73	67-23ST/KK4C-H6565S3BS69099Z10/2T	76
67-21S/KK6C-H403933Z9/2T	68	67-22ST/KK4C-H4040R3R65670Z8/2T	73	67-23ST/KK5C-H2712096Z10/2T	77
67-21S/KK6C-H4040R4R72834Z15/2T	70	67-22ST/KK4C-H4040R5R8A7A9Z3/2T	73	67-23ST/KK5C-H3512596Z10/2T	77
67-21S/KK6C-H4545R5R82834Z15/2T	70	67-22ST/KK4C-H4040S3S75670Z15/2T	74	67-23ST/KK5C-H5013096Z10/2T	77
67-21S/KK6C-H503933Z9/2T	68	67-22ST/KK4C-H5050R4R75670Z8/2T	73	67-23ST/KK5C-H5713096Z10/2T	77
67-21S/KK6C-H5050R5R82834Z15/2T	70	67-22ST/KK4C-H5050R5BR8A7A9Z3/2T	73	67-23ST/KK5C-H6513096Z10/2T	77
67-21S/KK6C-H5757R5R82834Z15/2T	70	67-22ST/KK4C-H5050S3BS75670Z15/2T	74	67-23ST/KKE-E2711099Z10/2T	77
67-21S/KK6C-H653933Z9/2T	68	67-22ST/KK4C-H5757R4R75670Z8/2T	73	67-23ST/KKE-E2711599Z10/2T	77
67-21S/KK6C-H6565R5R82834Z15/2T	70	67-22ST/KK4C-H5757R5BR8A7A9Z3/2T	73	67-23ST/KKE-E3011599Z10/2T	77
67-21S/NDR2C-P5080B2C12029Z6/2T	80	67-22ST/KK4C-H6565R4R75670Z8/2T	73	67-23ST/KKE-E3012099Z10/2T	77
67-21S/NFR2C-P2050A3B21522Z6/2T	80	67-22ST/KK4C-H6565R5R8A7A9Z3/2T	73	67-23ST/KKE-E4012099Z10/2T	77
67-21S/R2C-D2030BBL31926Z6/2T	80	67-22ST/KK4C-H6565S3BS75670Z15/2T	74	67-23ST/KKE-E4012599Z10/2T	77
67-21S/Y2C-D8595B7L32128Z6/2T	80	67-22ST/KK5C-H2727S3S75668Z15/2T	74	67-23ST/KKE-E5012099Z10/2T	77
67-21S/YK2C-D1720LBM42833Z6/2T	80	67-22ST/KK5C-H3030S3BS75668Z15/2T	74	67-23ST/KKE-E5012599Z10/2T	77
67-21-UR0200H-AM	165	67-22ST/KK5C-H3535S3BS75668Z15/2T	74	67-23ST/KKE-E5712099Z10/2T	77
67-21-UR0200L-AM	165	67-22ST/KK5C-H4040S3BS75668Z15/2T	74	67-23ST/KKE-E5712599Z10/2T	77
67-21-UR0201H-AM	165	67-22ST/KK5C-H5050S4S85668Z15/2T	74	67-23ST/KKE-E6512099Z10/2T	77
67-21-UY0200H-AM	165	67-22ST/KK5C-H6565S4S85668Z15/2T	74	67-23ST/KKE-E6512599Z10/2T	77
67-21-UY0200L-AM	165	67-22ST/KK6C-M2727X0Y02530U6/2T	71	67-24ST/KK4C-H27115130Z8/2T	78
67-21-UY0201H-AM	165	67-22ST/KK6C-M3030X1Y12530U6/2T	71	67-24ST/KK4C-H27115130Z8/2T	78
67-22/G3G3C-B45/2T	120	67-22ST/KK6C-M3535X1Y12530U6/2T	71	67-24ST/KK4C-H30120130Z8/2T	78
67-22/R6BHC-B07/2T	120	67-22ST/KK6C-M4040X2Y22530U6/2T	71	67-24ST/KK4C-H30120130Z8/2T	78
67-22/R6G6C-B09/2T	120	67-22ST/KK6C-M5050X3Y32530U6/2T	71	67-24ST/KK4C-H35120130Z8/2T	78
67-22/R6Y2C-B31/2T	120	67-22ST/KK6C-M5757X3Y32530U6/2T	71	67-24ST/KK4C-H35120130Z8/2T	78
67-22S/B2C-D6075D4D7303Z6/2T	80	67-22ST/KK6C-M6565X2Y22530U6/2T	71	67-24ST/KK4C-H40125130Z8/2T	78
67-22S/G2C-D1525L4L82934Z6/2T	80	67-22SURSYGC/S530-A2/TR8	120	67-24ST/KK4C-H40125130Z8/2T	78
67-22ST/B2C-P3545D2D92936Z6/2T	80	67-22UYSYGC/S530-A5/TR8	120	67-24ST/KK4C-H50125130Z8/2T	78
67-22ST/HK4C-H2727R8S25868Z15/2T	74	67-23/R6GHBHC-B05/2T	119	67-24ST/KK4C-H50125130Z8/2T	78
67-22ST/HK4C-H3030R8BS35868Z15/2T	74	67-23S-BJRQGCC-A01E-2T8-CS	119	67-24ST/KK4C-H57125130Z8/2T	78
67-22ST/HK4C-H4040S1S45868Z15/2T	74	67-23S/KK7C-H272830Z6/2T	75	67-24ST/KK4C-H57125130Z8/2T	78
67-22ST/HK4C-H5050S1S45868Z15/2T	74	67-23S/KK7C-H303030Z6/2T	75	67-24ST/KK4C-H65125130Z8/2T	78
67-22ST/HK4C-H5757S1S45868Z15/2T	74	67-23S/KK7C-H353030Z6/2T	75	67-24ST/KK4C-H65125130Z8/2T	78
67-22ST/HK4C-H6565S1S45868Z15/2T	74	67-23S/KK7C-H403230Z6/2T	75	67-24ST/KK5C-H27120130Z8/2T	78
67-22ST/KK2C-H2727R3R5A7A9Z3/2T	71	67-23S/KK7C-H503230Z6/2T	75	67-24ST/KKE-H27115130Z8/2T	79
67-22ST/KK2C-H3030R4R6A7A9Z3/2T	71	67-23S/KK7C-H573230Z6/2T	75	67-24ST/KKE-H27120130Z8/2T	79
67-22ST/KK2C-H3030S1BS5A7A9Z5/2T	71	67-23S/KK7C-H653230Z6/2T	75	67-24ST/KKE-H30120130Z8/2T	79
67-22ST/KK2C-H4040R41R6A7A9Z3/2T	71	67-23S/KK8C-H403330Z6/2T	75	67-24ST/KKE-H30125130Z8/2T	79
67-22ST/KK2C-H4040S2S6A7A9Z5/2T	71	67-23S/KK8C-H503330Z6/2T	75	67-24ST/KKE-H35120130Z8/2T	79
67-22ST/KK2C-H5050R41R6A7A9Z3/2T	71	67-23S/KK8C-H653330Z6/2T	75	67-24ST/KKE-H35125130Z8/2T	79
67-22ST/KK2C-H5050S2S6A7A9Z5/2T	71	67-23SDRSYGUBC/TR8	119	67-24ST/KKE-H40120130Z8/2T	79
67-22ST/KK2C-H5757R41R6A7A9Z3/2T	71	67-23ST/KK3C-H2727S2BS59099Z10/2T	76	67-24ST/KKE-H40125130Z8/2T	79
67-22ST/KK2C-H6565R41R6A7A9Z3/2T	71	67-23ST/KK3C-H3030S2BS59099Z10/2T	76	67-24ST/KKE-H50125130Z8/2T	79
67-22ST/KK3C-H27110200Z5/2T	72	67-23ST/KK3C-H3535S2BS59099Z10/2T	76	67-24ST/KKE-H50130130Z8/2T	79
67-22ST/KK3C-H30115200Z5/2T	72	67-23ST/KK3C-H4040S2BS59099Z10/2T	76	67-24ST/KKE-H57125130Z8/2T	79
67-22ST/KK3C-H40120200Z5/2T	72	67-23ST/KK3C-H5050S3S69099Z10/2T	76	67-24ST/KKE-H57130130Z8/2T	79
67-22ST/KK3C-H50125200Z5/2T	72	67-23ST/KK3C-H5757S3S69099Z10/2T	76	67-24ST/KKE-H65125130Z8/2T	79
67-22ST/KK3C-H57125200Z5/2T	72	67-23ST/KK3C-H6565S3S69099Z10/2T	76	67-24ST/KKE-H65130130Z8/2T	79
67-22ST/KK3C-H65120200Z5/2T	72	67-23ST/KK4C-H2727R5BR88496Z6/2T	75	67-31A/B7C-AT1U2M23/2T	122

ALPHANUMERIC INDEX

VISIBLE LED

67-31A/GHC-YV1W2EZ3/2T	122	ALFS3A-C710001H1-AM	160	ELCH08-NB5060J7J9283910-F3H	88
67-31A/SAC-AW1X2B9Z5/2T	122	ALFS3BD-C010001L1-2T-AM	160	ELCH08-NB5060J7J9283910-FDS	87
67-31-C70301H-AM	164	ALFS4A-C710001H1-AM	160	ELCH09-NB5060J8K2283910-FDX	88
67-31E/RSC-AV1W2B9Z5/2T	123	ALFS4BD-C010001L1-2T-AM	160	ELCS14B-KB4050J6J8283910-FCZ	92
67-31EP3-UR0500H-AM	166	ALFS5A-C710001H1-AM	160	ELCS14B-NB2025J6J8283910-F4Z	91
67-31EP3-UY0500H-AM	166	ALFS5BD-C010001L1-2T-AM	160	ELCS14B-NB5060J7J9283910-F4Z	91
67-31EP6-UR0500H-AM	166	B1001SYGWA/S530-E2	149	ELDA06-HB2555J3J8283910-FCX	91
67-31EP6-UY0500H-AM	166	B1001USOWA/S530-A4	149	ELDA08-NB5060J6J8283910-FCX	91
67-31-UR0501H-AM	164	B1010SURD/S530-A3	149	ELEM-KB5060F9J4294003-T6C	89
67-31-UY0501H-AM	164	B1010SYGD/S530-E3	149	ELSW-E91B1-0LPNM-CB7B8	48
67-41-C70301H-AM	164	CH1216-C8W80801H-AM	170	ELSW-F11B1-0LPNM-CB8B9	48
67-41-SR0501H-2739ABBA-AM	164	CH2016E-C07001L-AM	161	ELSW-F21B1-0LPNM-CBABB	48
67-41-UR0501H-AM	164	CH2016-UR3501H-AM	161	ELSW-F61R1-0PPNM-AR5R6	48
67-41-UY0501H-AM	164	CH2319-C07001H-2T-AM	161	ELSW-F61Y1-0EPNM-AA3A6	48
67-63-RGB0201H-AM	171	CH2319-PA07001H-2T-AM	161	ELSW-F91C1-0EPNM-AR3R4	48
7343/BAD5-AGJA/P/MS	159	CH2525-RGBY0201H-AM	170	ELSWF-J41M1-5FPHS-C2700	50
7343/GAD5-ANQA/P/MS	159	CH3535E-C03501H-J3J6-1T-AM	162	ELSWF-J41M1-5FPHS-C2700	51
7343/R7C2-AQSB/P/MS	159	CH3535E-PA3501H-F92735-1T-AM	162	ELSWF-J41M1-5FPHS-C2700	50
7343/R7D5-AHKB/P/MS	159	CH3535E-UR3501L-1527F6F81725-1T-AM	162	ELSWF-J41M1-5FPHS-C3000	50
7343/Y7C2-AQSB/P/MS	159	CH12024-KHAH4N9-24609-3G0T	61	ELSWF-J41M1-5FPHS-C3000	51
7343-2SURC/S530-A3	132	CHI2024-PHAH4N9-24609-3G0T	61	ELSWF-J41M1-5FPHS-C3500	50
7343-2SURC/S530-A3	132	CHI3030- PHAH4P6-27E19-3K0T	62	ELSWF-J41M1-5FPHS-C3500	50
7343-2SYGC/S530-E2	132	CHI3030- PHAH4S1-27L29-3Q0T	62	ELSWF-J41M1-5FPHS-C3500	51
7343-2USOC/S530-A3	132	CHI3030-KHAH4P7-27E19-3K0T	62	ELSWF-J41M1-5FPHS-C4000	50
7344/V7C2-ASVA/P/MS	159	CHI3030-KHAH4S2-27L29-3Q0T	62	ELSWF-J51N1-5FPHS-C4000	50
7344-15SUBC/C470/S400-A6	132	CHI3030-PMMB4P9-27E19-3K0T	61	ELSWF-J51N1-5FPHS-C4000	51
7344-15SUGC/S400-A5	132	D305SDRWB/S530-A3	137	ELSWF-J51N1-5FPHS-C4000	50
7344-15SUGC/S400-X6	132	D305SURWA/S530-A3	137	ELSWF-J61C1-5FPHS-C5000	50
7383/BAC3-ANQA/P/MS	159	D306SURWA/S530-A3	137	ELSWF-J61C1-5FPHS-C5000	50
7383/G1C3-ATVA/P/MS	159	D306USOWA/S530-A3	137	ELSWF-J61C1-5FPHS-C5000	51
7383/R7C3-AQSB/P/MS	159	D425SDRWA/S530-A4	138	ELSWF-J61C1-5FPHS-C5700	50
7383/R7C3-ARUB/P/MS	159	D425SURWA/S530-A3	138	ELSWF-J61C1-5FPHS-C5700	50
7383/V7C3-ARTA/P/MS	159	D425SYGWA/S530-E2	138	ELSWF-J61C1-5FPHS-C5700	51
7383/Y7C3-AQSB/P/MS	159	D425USOWA/S530-A4	138	ELSWF-J61C1-5FPHS-C6500	50
7383/Y7C3-ARUB/P/MS	159	D426SURWB/S530-A3	138	ELSWF-J61C1-5FPHS-C6500	50
91-21SUBC/S400-A6/TR7	93	D426SYGWA/S530-E2	138	ELSWF-J61C1-5FPHS-C6500	51
91-21SUGC/S400-A4/TR7	93	D426USOWA/S530-A3	138	ELSWF-J61N1-5FPGS-C4000	50
91-21SURC/S530-A6/TR7	93	D426UYOWB/S530-A3	138	ELSWF-J61N1-5FPGS-C4000	50
91-21SYGC/S530-E4/TR7	93	D511SURWB/S530-A3	138	ELSWF-J61N1-5FPGS-C4000	51
91-21USRC/S530-A4/TR7	93	D511SYGWB/S530-E2	138	ELSWF-J71C1-5FPGS-C5000	50
95-21SDRC/S530-A3/TR10	94	D512SDRWB/S530-A3	139	ELSWF-J71C1-5FPGS-C5000	50
95-21SUBC/S400-A5/TR10	94	D512SURWB/S530-A3	139	ELSWF-J71C1-5FPGS-C5700	50
95-21SUGC/S400-A4/TR7	94	D512SYGWA/S530-E2	139	ELSWF-J71C1-5FPGS-C5700	50
95-21SYGC/S530-E2/TR7	94	D512UBWA/C470	139	ELSWF-J71C1-5FPGS-C5700	51
95-21USRD/S357/TR7	94	D515SURWA/S530-A3	139	ELSWF-J71C1-5FPGS-C5700	50
95-21UYC/S530-A5/TR7	94	D516SURWA/S530-A3	139	ELSWF-J71C1-5FPGS-C6500	50
99-218G	179	D525SURWA/S530-A3	139	ELSWF-J71C1-5FPGS-C6500	50
99-228T	179	D525SYGWA/S530-E2	139	ELSWF-J71C1-5FPGS-C6500	51
99-235/RSGHB7S1-S01/2T	155	D526SURWA/S530-A3	140	ELSWF-J81C1-6FPGS-C5000	50
99-616	178	D526USOWA/S530-A4	140	ELSWF-J81C1-6FPGS-C5000	50
99-826	178	ELAT07-KB4050J5J7293910-F1S	90	ELSWF-J81C1-6FPGS-C5000	51
A09K-C71501H-AM	163	ELAT07-NB1924J4J6293910-F1M	90	ELSWF-J81C1-6FPGS-C5700	50
A09K-PA1501H-AM	163	ELAT07-NB5060J6J7293910-F1S	90	ELSWF-J81C1-6FPGS-C5700	50
A09K-SR1501H-2739CB-AM	163	ELCH05-NB2025F8J4283805-FBM	87	ELSWF-J81C1-6FPGS-C5700	51
A09K-UR1501H-1224-AM	163	ELCH05-NB5060J1J5283805-FBW	87	ELSWF-J81C1-6FPGS-C6500	50
A09K-UY1501H-AM	163	ELCH07-NB2025J5J7283910-F3H	87	ELSWF-J81C1-6FPGS-C6500	50
ALFS1AD-C707001H1-AM	160	ELCH07-NB5060J6J8283910-F3H	87	ELSWF-J81C1-6FPGS-C6500	51
ALFS1BD-C007001L1-2T-AM	160	ELCH08-HB3545J6J8283910-FDS	90	ELSWF-F61L1-6FPNM-CB4B6	49
ALFS2A-C710001H1-AM	160	ELCH08-KB4050J6J9283910-FDH	89	ELSW-J31G1-0LPNM-CG1G2	48
ALFS2BD-C010001L1-2T-AM	160	ELCH08-NB2025J6J8283910-FDM	87	ELSW-J31G1-0LPNM-CG2G3	48

ELSW-Q91F1-0LPNM-AF3F8	48	GXUAN1313-KM35335-36310-094T	57	GXUAN1919-PM30330-36826-0E4T	59
ELSW-R21E1-0EPNM-AD3D8	48	GXUAN1313-KM35335-36413-094T	57	GXUAN1919-PM35335-36516-0E4T	58
ELSW-R51L1-0EPNM-CB4B6	48	GXUAN1313-KM40340-36103-094T	56	GXUAN1919-PM35335-36619-0E4T	58
ELUA2016OGB-P0010Q53040020-VA1M	82	GXUAN1313-KM40340-36206-094T	56	GXUAN1919-PM35335-36826-0E4T	59
ELUA2016OGB-P0010T73040500-VD1M	82	GXUAN1313-KM40340-36310-094T	57	GXUAN1919-PM40340-36516-0E4T	58
ELUA2016OGB-P6070Q43040020-VA1M	82	GXUAN1313-KM40340-36413-094T	57	GXUAN1919-PM40340-36619-0E4T	58
ELUA2016OGB-P6070T53040500-VD1M	82	GXUAN1313-KT50550-36103-094T	56	GXUAN1919-PM40340-36826-0E4T	59
ELUA2016OGB-P8090Q53040020-VA1M	82	GXUAN1313-KT50550-36206-094T	56	GXUAN2828-KM27327-36C38-0M4T	60
ELUA2016OGB-P8090T73040500-VD1M	82	GXUAN1313-KT50550-36310-094T	57	GXUAN2828-KM27327-54C58-0M4T	60
ELUA2016OGB-P9000Q53040020-VA1M	82	GXUAN1313-KT50550-36413-094T	57	GXUAN2828-KM30330-36C38-0M4T	60
ELUA2016OGB-P9000T73040500-VD1M	82	GXUAN1313-KT57557-36103-094T	56	GXUAN2828-KM30330-54C58-0M4T	60
ELUA3020LUB-P0010Q53040020-VA1D	83	GXUAN1313-KT57557-36206-094T	56	GXUAN2828-KM35335-36C38-0M4T	60
ELUA3020LUB-P6070Q43040020-VA1D	83	GXUAN1313-KT57557-36310-094T	57	GXUAN2828-KM35335-54C58-0M4T	60
ELUA3020LUB-P8090Q53040020-VA1D	83	GXUAN1313-KT57557-36413-094T	57	GXUAN2828-KM40340-36C38-0M4T	60
ELUA3020LUB-P9000Q53040020-VA1D	83	GXUAN1313-KT65565-36103-094T	56	GXUAN2828-KM40340-54C58-0M4T	60
ELUA3535NU3-P0010U536461K0-V41G	85	GXUAN1313-KT65565-36206-094T	56	GXUAN2828-KT50550-36C38-0M4T	60
ELUA3535NU3-P6070U536461K0-V41G	85	GXUAN1313-KT65565-36310-094T	57	GXUAN2828-KT50550-54C58-0M4T	60
ELUA3535NU3-P8090U536461K0-V41G	85	GXUAN1313-KT65565-36413-094T	57	GXUAN2828-KT57557-36C38-0M4T	60
ELUA3535NU3-P9000U536461K0-V41G	85	GXUAN1313-PM27327-36103-094T	56	GXUAN2828-KT57557-54C58-0M4T	60
ELUA3535NU6-P0010U536461K0-V41G	85	GXUAN1313-PM27327-36206-094T	56	GXUAN2828-KT65565-36C38-0M4T	60
ELUA3535NU6-P6070U536461K0-V41G	85	GXUAN1313-PM27327-36310-094T	57	GXUAN2828-KM30330-36C38-0M4T	60
ELUA3535NU6-P8090U536461K0-V41G	85	GXUAN1313-PM27327-36413-094T	57	GXUAN2828-PM27327-36C38-0M4T	60
ELUA3535NU6-P9000U536461K0-V41G	85	GXUAN1313-PM30330-36103-094T	56	GXUAN2828-PM27327-54C58-0M4T	60
ELUA3535OG5-P0010U23040500-VD1M	84	GXUAN1313-PM30330-36206-094T	56	GXUAN2828-PM30330-36C38-0M4T	60
ELUA3535OG5-P6070U13040500-VD1M	84	GXUAN1313-PM30330-36310-094T	57	GXUAN2828-PM30330-54C58-0M4T	60
ELUA3535OG5-P8090U23040500-VD1M	84	GXUAN1313-PM30330-36413-094T	57	GXUAN2828-PM35335-36C38-0M4T	60
ELUA3535OG5-P9000U23040500-VD1M	84	GXUAN1313-PM35335-36103-094T	56	GXUAN2828-PM35335-54C58-0M4T	60
ELUA3535OGB-P0010U23040500-VD1M	83	GXUAN1313-PM35335-36206-094T	56	GXUAN2828-PM40340-36C38-0M4T	60
ELUA3535OGB-P6070U23040500-VD1M	83	GXUAN1313-PM35335-36310-094T	57	GXUAN2828-PM40340-54C58-0M4T	60
ELUA3535OGB-P8090U23040500-VD1M	83	GXUAN1313-PM35335-36413-094T	57	HNA2121W-IS01	155
ELUA3535OGB-P9000U23040500-VD1M	83	GXUAN1313-PM40340-36103-094T	56	HNB1515W-OS01	156
ELUA4545OG3-P0010U23241500-VD1M	84	GXUAN1313-PM40340-36206-094T	56	HNB2727W-OS01	156
ELUA4545OG3-P6070U13241500-VD1M	84	GXUAN1313-PM40340-36310-094T	57	JHU3802-KM275J1-681U9-700T	63
ELUA4545OG3-P8090U23241500-VD1M	84	GXUAN1313-PM40340-36413-094T	57	JHU3802-KM405J2-681U9-700T	63
ELUA4545OG3-P9000U23241500-VD1M	84	GXUAN1919-KM27327-36516-0E4T	58	JHU4001-KM277J1-72101-400T	63
ELUC3535OUB	86	GXUAN1919-KM27327-36619-0E4T	58	JHU4802-KM275J4-82101-100T	63
ELYU03-5060J5J7294310-N0	92	GXUAN1919-KM27327-36826-0E4T	59	JHU4802-KM275J7-D51W8-700T	63
ELYU03-5070J5J7294310-N0	92	GXUAN1919-KM30330-36516-0E4T	58	JHU4802-KM405J5-82101-100T	63
F415SURWA/S530-A3	142	GXUAN1919-KM30330-36619-0E4T	58	JHU4802-KM405J7-D51W8-700T	63
F415SURWB/S530-A3	142	GXUAN1919-KM30330-36826-0E4T	59	M2881SURWA/S530-A3	149
F416SURWA/S530-A3	142	GXUAN1919-KM35335-36516-0E4T	58	M2881SYGWA/S530-E2	149
F416SURWB/S530-A3	142	GXUAN1919-KM35335-36619-0E4T	58	M2881UYWA/S530-A3	149
F416SYGWA/S530-E3	142	GXUAN1919-KM35335-36826-0E4T	59	S1006SDRDB/A3/S660	136
F416SURWA/S530-A3	142	GXUAN1919-KM40340-36516-0E4T	58	S1006SURWA/S530-A3	136
F511SURWA/S530-A3	142	GXUAN1919-KM40340-36619-0E4T	58	S1006SYGWA/S530-E2	136
F511SURWB/S530-A3	142	GXUAN1919-KM40340-36826-0E4T	59	S2326SURWA/S530-A3	137
F511SYGWA/S530-E2	142	GXUAN1919-KT50550-36516-0E4T	58	S2326SYGWA/S530-E2	137
F512SDRWB/S530-A3	143	GXUAN1919-KT50550-36619-0E4T	58	S2326UBWA/C470	137
F512SURWA/S530-A3	143	GXUAN1919-KT50550-36826-0E4T	59	S2326USOWA/S530-A4	137
F512SYGWA/S530-E2	143	GXUAN1919-KT57557-36516-0E4T	58	S3030FPBUD2C/F120145N37BF-T	177
GXUAN1313-KM27327-36103-094T	56	GXUAN1919-KT57557-36619-0E4T	58	S315SYGWA/S530-E2	136
GXUAN1313-KM27327-36206-094T	56	GXUAN1919-KT57557-36826-0E4T	59	S321SURWA/S530-A3	136
GXUAN1313-KM27327-36310-094T	57	GXUAN1919-KT65565-36516-0E4T	58	S321USOWA/S530-A4	136
GXUAN1313-KM27327-36413-094T	57	GXUAN1919-KT65565-36619-0E4T	58	SD405SURWA/S530-A3/S290	145
GXUAN1313-KM30330-36103-094T	56	GXUAN1919-KT65565-36826-0E4T	59	SD405SYGWA/S530-E2	145
GXUAN1313-KM30330-36206-094T	56	GXUAN1919-PM27327-36516-0E4T	58	SD406SURWA/S530-A4/S290	146
GXUAN1313-KM30330-36310-094T	57	GXUAN1919-PM27327-36619-0E4T	58	SD406SYGWA/S530-E2/S290	146
GXUAN1313-KM30330-36413-094T	57	GXUAN1919-PM27327-36826-0E4T	59	SD511SYGWA/S530-E2/S290	146
GXUAN1313-KM35335-36103-094T	56	GXUAN1919-PM30330-36516-0E4T	58	SF405SURWA/S530-A3/S290	148
GXUAN1313-KM35335-36206-094T	56	GXUAN1919-PM30330-36619-0E4T	58		

ALPHANUMERIC INDEX

VISIBLE LED

SF405UYOWA/A3/S290	148	TSAN0505-M-K657-EU016-E001T	53	XI3030-PA3501H-F7J1-AM	162
SF511SURWA/S530-A3/S290	148	TSAN0505-M-K657-EU016-E001T	53	XI3030-UR3501H-F7-AM	162
SF511SYGWA/S530-E2/S796	148	TSAN150E-M-K307-EU095-X001C	54		
SF512SURWA/S530-A3/S290	148	TSAN150E-M-K507-EU095-X001C	54		
SS205SURWA/S530-A4/S290	143	TSAN33DI-M-K277-EU008-D001T	52		
SS205SYGWA/S530-E2/S290	143	TSAN33DI-M-K307-EU008-D001T	52		
SS205UYOWA/S530-A3/S290	143	TSAN33DI-M-K407-EU008-D001T	52		
SS205UYWA/S530-A3/S290	143	TSAN33DI-M-K507-EU008-E001T	52		
SS206SURWA/S530-A3/S290	143	TSAN33DI-M-K577-EU008-E001T	52		
SS206SYGWA/S530-E2/S290	143	TSAN33DI-M-K657-EU008-E001T	52		
SS206USRWA/S530-A3/S290	143	TSAN4FFA-M-K277-EU016-E001C	53		
SS206UYWA/S530-A3/S290	143	TSAN4FFA-M-K307-EU016-E001C	53		
SS405SYGWA/S530-E2	144	TSAN4FFA-M-K407-EU016-E001C	53		
SS406SYGWA/S530-E2	144	TSAN4FFA-M-K507-EU016-F001C	53		
SS406UBWA/C470/S290	144	TSAN4FFA-M-K577-EU016-F001C	53		
SS406USRWA/S530-A3/S290	144	TSAN4FFA-M-K657-EU016-F001C	53		
SS406UWWA/S290	144	TSAN5003-M-K307-US040-F001C	55		
SS506SURWA/S530-A4/S290	144	TSAN5003-M-K307-US060-F001C	55		
SS506SYGWA/S530-E2	144	TSAN-5602-M-K307-DC014-F001T	54		
SS511SURWA/S530-A3/S290	145	TSAN-5602-M-K407-DC014-F001T	54		
SS511SYGWA/S530-E2/S290	145	TSAN-5602-M-K657-DC014-G001T	54		
SS511UBWA/C470	145	XI3030-C03501H-J1J5-AM	162		
SS512SURWA/S530-A3/S290	145	XI3030P/B3C-D5060T2T52432Z15/2N	66		
SS512SYGWA/S530-E2	145	XI3030P/D3C-P4575R4R715231Z15/2N	66		
ST405SUGWA/S530-A4/S290	146	XI3030P/F3C-P1545S2S520281Z15/2N	66		
ST405SURWA/S530-A3/S290	146	XI3030P/KK5C-3M2727N41PB24301U6/2N	64		
ST405SYGWA/S530-E2	146	XI3030P/KK5C-3M3030N41PB24301U6/2N	64		
ST405UYOWA/S530-A3/S290	146	XI3030P/KK5C-3M3535N41PB24301U6/2N	64		
ST406SURWA/S530-A3/S290	147	XI3030P/KK5C-3M4040N42PB24301U6/2N	64		
ST406SYGWA/S530-E2	147	XI3030P/KK5C-3M5050N42PB24301U6/2N	64		
ST512SURWA/S530-A3/S290	147	XI3030P/KK5C-3M5757N42PB24301U6/2N	64		
ST512SYGWA/S530-E2/S290	147	XI3030P/KK5C-3M6565N42PB24301U6/2N	64		
ST512UBWA/C470/S290	147	XI3030P/KK5C-H2727S32S756661Z15/2N	65		
T315SDRWA/S530-A3	140	XI3030P/KK5C-H3030S41S756661Z15/2N	65		
T315SURWA/S530-A2	140	XI3030P/KK5C-H3535S41S756661Z15/2N	65		
T315SYGWA/S530-E2	140	XI3030P/KK5C-H4040S41S756661Z15/2N	65		
T315UYOWA/S530-A3	140	XI3030P/KK5C-H5050S42S856661Z15/2N	65		
T316SDRWA/S530-A3	140	XI3030P/KK5C-H5757S42S856661Z15/2N	65		
T316SURWA/S530-A3	140	XI3030P/KK5C-H6565S41S856661Z15/2N	65		
T316SYGWA/S530-E2	140	XI3030P/KK6C-H2727S4S756661Z15/2N	65		
T511SUGWB/S400-A4/S800	141	XI3030P/KK6C-H3030S42S756661Z15/2N	65		
T511SURWA/S530-A3	141	XI3030P/KK6C-H3535S42S756661Z15/2N	65		
T511SYGWA/S530-E2	141	XI3030P/KK6C-H4040S42S756661Z15/2N	65		
T511UYOWA/S530-A3	141	XI3030P/KK6C-H5050S5S856661Z15/2N	65		
T512SURWA/S530-A3	141	XI3030P/KK6C-H5757S5S856661Z15/2N	65		
T512SURWB/S530-A3	141	XI3030P/KK6C-H6565S42S856661Z15/2N	65		
T512SYGWA/S530-E2	141	XI3030P/KK6C-M2727X1X725292U6/2N	64		
T512SYGWB/S530-E2	141	XI3030P/KK6C-M3030X1X725292U6/2N	64		
T512USOWA/S530-A4	141	XI3030P/KK6C-M3535X1X725292U6/2N	64		
T512UYOWA/S530-A3	141	XI3030P/KK6C-M4040X4Y025292U6/2N	64		
TSAN0303-M-K277-EU010-D001T	52	XI3030P/KK6C-M5050X4Y025292U6/2N	64		
TSAN0303-M-K307-EU010-D001T	52	XI3030P/KK6C-M5757X4Y025292U6/2N	64		
TSAN0303-M-K407-EU010-D001T	52	XI3030P/KK6C-M6565X3X925292U6/2N	64		
TSAN0303-M-K507-EU010-E001T	52	XI3030P/KK7C-H2727S42S856661Z15/2N	65		
TSAN0303-M-K577-EU010-E001T	52	XI3030P/KK7C-H3030S5S856661Z15/2N	65		
TSAN0303-M-K657-EU010-E001T	52	XI3030P/KK7C-H3535S5S856661Z15/2N	65		
TSAN0505-M-K277-EU016-D001T	53	XI3030P/KK7C-H4040S5S856661Z15/2N	65		
TSAN0505-M-K307-EU016-D001T	53	XI3030P/KK7C-H5050S5S956661Z15/2N	65		
TSAN0505-M-K407-EU016-D001T	53	XI3030P/KK7C-H5757S5S956661Z15/2N	65		
TSAN0505-M-K507-EU016-E001T	53	XI3030P/KK7C-H6565S5S956661Z15/2N	65		

ALPHANUMERIC INDEX

INFRARED LED, SENSORS, COUPLERS

4N25	259	EL0531	265	EL3032(P5)	270
4N26	259	EL0600	265	EL3033	271
4N27	259	EL0601	265	EL3033(P5)	270
4N28	259	EL060L	265	EL3041	271
4N29	263	EL0611	265	EL3041(P5)	270
4N30	263	EL0630	265	EL3042	271
4N31	263	EL0631	265	EL3042(P5)	270
4N32	263	EL0700	265	EL3043	271
4N33	263	EL0701	265	EL3043(P5)	270
4N35	259	EL1010-G	256	EL3051	271
4N36	259	EL1012-G	256	EL3051(P5)	270
4N37	259	EL1013-G	256	EL3052	271
4N38	259	EL1014-G	256	EL3052(P5)	270
6N135	266	EL1017-G	256	EL3053	271
6N136	266	EL1018-G	256	EL3053(P5)	270
6N137	266	EL1019-G	256	EL3061	271
6N138	266	EL1110-G	257	EL3061(P5)	270
6N139	266	EL1112-G	257	EL3062	271
ALS-DPDIC17-78C/L749/TR8	242	EL1113-G	257	EL3062(P5)	270
ALS-PD50-42C/TR8	241	EL1114-G	257	EL3063	271
ALS-PD70-01C/L664/TR7	240	EL1116-G	257	EL3063(P5)	270
ALS-PD70-01C/TR7	240	EL1117-G	257	EL3081	271
ALS-PDIC144-6C/L378	238	EL1118-G	257	EL3081(P5)	270
ALS-PDIC15-21B/TR8	239	EL1119-G	257	EL3082	271
ALS-PDIC15-21C/L230/TR8	239	EL121N	255	EL3082(P5)	270
ALS-PDIC17-55C/TR8	239	EL205	255	EL3083	271
ALS-PDIC17-77B/TR8	240	EL206	255	EL3083(P5)	270
ALS-PDIC17-77C/TR8	240	EL207	255	EL354N-G	254
ALS-PDIC243-3B	238	EL208	255	EL357L	260
ALS-PDIC243-3B/L525	238	EL211	255	EL357N-G	255
ALS-PDIC243-3C	238	EL212	255	EL3H4-G	253
ALS-PT17-51C/L177/TR8	241	EL213	255	EL3H7-G	253
ALS-PT17-51NB/L369/TR8	241	EL215	255	EL406A	272
ALS-PT19-315C/L177/TR8	241	EL216	255	EL425A	272
ALS-PT204-6C/L177	237	EL217	255	EL440A	272
ALS-PT243-3C/L177	237	EL2200	268	EL4502	266
ALS-PT333-3C/L177	237	EL2201	268	EL4503	266
APM-12D23-20-DF8/TR8	242	EL2202	268	EL4504	266
APM-16D18-00-DF8/TR8	242	EL2530	266	EL452-G	261
BR15-22C/L586/R/TR8	199	EL2531	266	EL460A	272
BR15-22C/L586/TR8	199	EL2601	266	EL606A	273
CLS15-22C/L213B/TR8	243	EL260L	266	EL617	258
CLS15-22C/L213G/TR8	243	EL2611	266	EL625A	273
CLS15-22C/L213R/TR8	243	EL2630	266	EL640A	273
CNY17-1	259	EL2631	266	EL660A	273
CNY17-2	259	EL3010	271	EL814	257
CNY17-3	259	EL3010(P5)	270	EL815	262
CNY17-4	259	EL3011	271	EL816	258
CNY17F-1	259	EL3011(P5)	270	EL817	258
CNY17F-2	259	EL3012	271	EL8171	260
CNY17F-3	259	EL3012(P5)	270	EL817-G	258
CNY17F-4	259	EL3021	271	EL825	263
CNY64	261	EL3021(P5)	270	EL827	259
CNY65	261	EL3022	271	EL840A	273
EL0452	265	EL3022(P5)	270	EL847	260
EL0453	265	EL3023	271	EL851	258
EL0500	265	EL3023(P5)	270	EL852	262
EL0501	265	EL3031	271	EL860A	273
EL050L	265	EL3031(P5)	270	ELD205	256
EL0530	265	EL3032	271	ELD206	256

ALPHANUMERIC INDEX

INFRARED LED, SENSORS, COUPLERS

ELD207	256	H11AA3	258	IR204/H16/L10	184
ELD211	256	H11AA4	258	IR204/H60	184
ELD213	256	H11B1	263	IR204-A	184
ELD217	256	H11B2	263	IR204C/H16/L10	184
ELD3H7	253	H11B255	263	IR204C-A	184
ELM3022	268	H11B3	263	IR25-21C/TR8	193
ELM3023	268	H11L1	264	IR26-21C/L110/TR8	194
ELM3024	268	H11L2	264	IR26-51C/L110/TR8	194
ELM3042	268	H11L3	264	IR26-61C/L302/TR8	194
ELM3043	268	HIR11-21C/L11/TR8	191	IR26-61C/L675/TR8	194
ELM3044	268	HIR12-21C/TR8	191	IR26-61C/L745/TR8	194
ELM3052	268	HIR15-21C/TR8	191	IR26-71C/L302/TR8	195
ELM3053	268	HIR17-21C/L289/TR8	192	IR26-71C/L447/S63/TR8	195
ELM3054	268	HIR17-21C/TR8	192	IR26-91C/L510/2D	200
ELM3062	268	HIR19-21C/L11/TR8	192	IR26-91C/L675/2D	200
ELM3063	268	HIR19-21C/L289/TR8	192	IR26-91C/L710/2D	200
ELM3064	268	HIR204	184	IR28-01C/L491/2R	195
ELM3082	268	HIR204/H0	184	IR28-01C/L698/2R	195
ELM3083	268	HIR204C	184	IR28-01C/L710/2R	195
ELM3084	268	HIR204C/H0	184	IR323	185
ELM452	264	HIR234C	184	IR323/H0-A	185
ELM453	264	HIR25-21C/L423/2T	193	IR333/H0	185
ELM453L	264	HIR25-21C/L423/TR8	193	IR333/H0/L10	185
ELM600	264	HIR26-21C/L289/CT	194	IR333-A	185
ELM601	264	HIR26-21C/L423/CT	194	IR333C	185
ELM611	264	HIR30-01C/S16	189	IR333C/H0/L10	185
ELQ3H4	253	HIR323C	185	IR333C/H2	185
ELQ3H7	254	HIR323C/H0	185	IR383	185
ELR0223	272	HIR333/H0	185	IR42-21C/TR8	196
ELR1223	272	HIR333C/H0	185	IR533C	186
ELR2223	272	HIR36-01C/S32	189	IR5443-14C/L527	188
ELR3223	272	HIR38-01C	189	IR57-21C/TR8	196
ELT3021	269	HIR383C/L289	185	IR67-21C/TR8	196
ELT3022	269	HIR42-21C/L289/TR8	196	IR7373C	186
ELT3023	269	HIR42-21C/TR8	196	IR7393C	186
ELT3041	269	HIR67-21C/L11/TR8	196	IR83-01C/L491/TR8	197
ELT3042	269	HIR67-21C/L289/TR8	196	IR8353-14C	187
ELT3043	269	HIR67-31AC/L638/TR8	200	IR8394-20C	188
ELT3051	269	HIR67-31JC/L638/TR8	201	IR89-01C/L447/1R	197
ELT3052	269	HIR7323C/L599	187	IR908-7C-F	190
ELT3053	269	HIR7373B/L289	186	IR91-01C/L491/2R	198
ELT3061	269	HIR7373C	186	IR91-21C	197
ELT3062	269	HIR7393B/L289	186	IR91-21C/TR10	197
ELT3063	269	HIR7393C	186	IR91-21C/TR7	197
ELT3081	269	HIR83-01B/TR8	197	IR928-6C-F	190
ELT3082	269	HIR8323C/16	187	IR95-21C/TR7	198
ELT3083	269	HIR89-01C/1R	197	IR968-8C	190
ELW135	267	HIR91-01C/L297/2T	198	IR-C19D-N90/L562-P03/TR	201
ELW136	267	HIR-C19D-1090/L708-P01/TR	201	IR-C19-N/L482-P01/TR	201
ELW137	267	HIR-C19D-1N150/L649-P03/TR	201	IRM-36xxJ2	219
ELW2601	267	HIR-C19D-1N90/L649-P03/TR	201	IRM-36xxJ7-X	219
ELW2611	267	IR11-21C/L491/TR8	191	IRM-36xxM	219
ELW4503	267	IR11-21C/TR8	191	IRM-36xxM2	219
H11A1	259	IR12-206C/L268/TR8	198	IRM-36xxM2-X	219
H11A2	259	IR12-21C/TR8	191	IRM-36xxM3	219
H11A3	259	IR15-21C/TR8	191	IRM-36xxM3-X	219
H11A4	259	IR16-213C/L510/TR8	192	IRM-36xxM6	219
H11A5	259	IR17-21C/TR8	192	IRM-36xxM-X	219
H11AA1	258	IR19-21C/TR8	192	IRM-36xxT	219
H11AA2	258	IR19-315C/TR8	193	IRM-36xxT-X	219

INFRARED LED, SENSORS, COUPLERS

IIRM-36xxZ	219	ITR20501	247	PLR162M	230
IRM-37xxM	222	ITR8010	249	PLR233	229
IRM-37xxM2	222	ITR8102	248	PLR237	229
IRM-37xxM3	222	ITR8104	249	PLR253	229
IRM-37xxT	222	ITR8105	249	PLR262	230
IRM-37xxZ	222	ITR8307	245	PLT132	233
IRM-66xx	220	ITR8307/F43	244	PLT133	233
IRM-66xxJ	220	ITR8307/L24	245	PLT133/T10B	235
IRM-66xxM	220	ITR8307/L24/F43	244	PLT133/T10W	235
IRM-66xxM2	220	ITR8307/L24/TR8	245	PLT133/T2	235
IRM-66xxM3	220	ITR8307/TR8	245	PLT133/T8B	236
IRM-66xxT	220	ITR8402-F-A	250	PLT133/T9	235
IRM-86xxM2	221	ITR9606-F	250	PLT137	233
IRM-88xxM3	222	ITR9608-F	250	PLT232/L5	233
IRM-H2xxM2	225	ITR9702-F	251	PLT237	233
IRM-H2xxM3	225	ITR9707	251	PLT262	234
IRM-H2xxT	225	ITR9809-F/T	251	PLT262M	234
IRM-H2xxZ	225	ITR9813	252	PLT272/L5	234
IRM-H3xxJ	225	ITR9904	246	PM-8D23-20-DF8/TR8	242
IRM-H3xxM3	225	ITR9908	246	PT11-21C/L41/TR8	214
IRM-H5xxM	226	ITR9909	246	PT12-21B/TR8	214
IRM-H5xxM3	226	MCT2E	259	PT12-21C/TR8	214
IRM-H5xxT	226	PD12-206B/L512/TR8	204	PT1504-6B	212
IRM-H6xxJ7	226	PD12-21B/L458/TR8	205	PT15-21B/TR8	214
IRM-H6xxM	226	PD15-21B/TR8	205	PT15-21C/TR8	214
IRM-H6xxM3	226	PD15-22C/TR8	205	PT17-21B/L41/TR8	215
IRM-H6xxT	226	PD204-6B	202	PT17-21C/L41/TR8	215
IRM-H8xxJ	227	PD204-6C/L3	202	PT19-21B/L41/TR8	215
IRM-H8xxM	227	PD28-01B/L598/2R	206	PT19-21C/L41/TR8	215
IRM-H8xxM3	227	PD28-01B/L609/2R	206	PT204-6B	210
IRM-H8xxM3-C	227	PD333-3B/H0/L2	203	PT204-6C	210
IRM-H8xxZ-C	227	PD333-3C/H0/L2	202	PT2559B/L2/H2-F	213
IRM-H9xxM3	228	PD42-21B/TR8	207	PT2559B/L2-F	213
IRM-H9xxT	228	PD42-21C/TR8	207	PT26-21B/TR8	215
IRM-V3xxM3	223	PD438B	204	PT26-21C/TR8	215
IRM-V5xxJ2	223	PD438B/L1	204	PT26-51B/TR8	216
IRM-V5xxM	223	PD438B/S46	204	PT26-71B/TR8	216
IRM-V5xxM2	223	PD438C	203	PT28-21B/TR8	216
IRM-V5xxM3	223	PD438C/S46	203	PT333-3B	211
IRM-V5xxT	223	PD51-40C/L665/TR8	207	PT333-3C	210
IRM-V8xxJ	224	PD51-40C/TR8	207	PT334-6B	211
IRM-V8xxJ2	224	PD5443-3B/L2	203	PT334-6C	211
IRM-V8xxM	224	PD60-48C/TR8	209	PT42-21B/TR8	216
IRM-V8xxM2	224	PD638B	204	PT534-6B	212
IRM-V8xxM3	224	PD70-01B/TR10	208	PT5529B/L2/H2-F	213
IRM-V8xxM3-C	224	PD70-01B/TR7	206	PT5529B/L2-F	213
IRM-V8xxT	224	PD70-01C/L469/TR7	206	PT57-21B/TR8	217
IRR15-22C/L491/TR8	199	PD70-01C/TR10	208	PT67-21B/C14/TR8	217
IRR60-48C/L661/TR8	199	PD70-01C/TR7	206	PT67-21C/L41/TR8	217
IRR60-48C/TR8	199	PD83-01B/L458/TR8	208	PT908-7B-F	212
IRRG25-16C/L491/TR8	200	PD95-21B/TR10	209	PT908-7C-F	212
ITR1201SR10AR/TR	245	PLR135	229	PT91-21B	218
ITR1203DT50A/TB	248	PLR135/T10	232	PT91-21B/TR10	218
ITR1205ST11A/TR	248	PLR135/T2	231	PT91-21B/TR7	218
ITR1502SR40A/TR8	244	PLR135/T7	231	PT91-21B/TR9	218
ITR1504SR10A/TR	244	PLR135/T8	231	PT91-21C	218
ITR20001/T	247	PLR135/T9	232	PT91-21C/TR10	218
ITR20002	247	PLR137	229	PT91-21C/TR7	218
ITR20005-F	252	PLR155	229	PT928-6B-F	213
ITR20403	252	PLR162	230	PT928-6C-F	213

CONDITIONS OF RoHS

From July 1st, 2006, RoHS requires that all electrical equipment should not contain lead, mercury, cadmium, hexavalent chromium, polybrominated biphenyls (PBBs) or poly brominated diphenyl ethers (PBDEs), and the elements are restricted to certain amount (such as mercury in a wound lighting tube <5 mg, lead in CRT glass, soldering tin, etc.). Before the date every member of European Union must obey of environment on chemical regulation.



- According to RoHS part, the norm of restrict and limit used substance adopted by EVERLIGHT.

Name	Description	Criteria
Cadmium	Cadmium and its compounds must not be present in parts, components, materials or products. Cadmium and its compounds must not used as stabilizers, coloring agent or as a surface coating treatment in parts, components, materials or products.	< 5 ppm (Plastics) < 75 ppm (Metals)
Lead restrictions	Lead and/or lead compounds shall not be present in hardware components or parts, however, except solder, electrical components and interconnect materials. Lead carbonates and sulfates must not be used in any paint applied to parts, component, or products.	< 100 ppm (Plastics) < 1000 ppm (Others)
Mercury restrictions	Mercury must not be contained in any part, material, components or product, including, but not limited to switches, relays or electrical contacts. This restriction does not apply to lamps with less than 10 mg if mercury.	< 5 ppm
Hexavalent chromium (chromium VI) and hexavalent chromium compounds	Hexavalent chromium (chromium VI) and hexavalent chromium compounds must not be present in parts, components, materials or products.	< 2 ppm
Polybrominated Biphenyls (PBBs)	Plastics parts, pomponents, materials and products must not contain Polybrominated Biphenyls as flame retardants, specific PBBs, but are not limited to those listed in attachment item.	< 5 ppm
Polybrominated Diphenyl Ethers (PBDEs)	Plastic parts, components, materials and products must not contain Polybrominated Biphenyl Ethers, known as flame retardants, specific PBBEs, including, but are not limited to, those listed in attachment item.	< 5 ppm

Compliant with the following condition :

- Please visit EVERLIGHT website for more updated information about third party test reports and RoHS declarations. (www.everlight.com)

APPLICATION NOTICE

Since we are continuously improving all of our products, the information listed in this Catalogue, which includes specifications, characteristics, data, materials used, structure, etc., are subject to change without prior notice. It is necessary that you request the newest specification sheet from EVERLIGHT when you place any inquiry or purchase order.

Please carefully read the specification sheet, and confirm your acceptance of the content. EVERLIGHT does not accept any liabilities for damages occurred due to the customer's lack of confirming the newest product specification.

It is important to strictly follow the maximum limit and other important instructions listed on the specifications sheet when using EVERLIGHT's products. The following is a list of special notes for products used in specific applications. It is recommended that customers read the instructions carefully before installing the products. Again, EVERLIGHT does not accept any liabilities for any improper use of EVERLIGHT's product or failure to follow the instructions listed herein:

Special Instruction:

1. Products listed in this Catalogue are designed primarily for the application listed below:
A : Calculators
B : Measurement equipment
C : AV machines
D : QA machines
E : Operating machines
F : Consumer electronics
G : Telecommunications

While products meet the application listed above, additional attention is required when products are to be utilized in the instruments listed under Special Instruction Notes 2 and 3.

2. When high reliability and safety concerns are required, it is very important that the design be made to focus on safety and long term reliability. Special care should be given to assure that EVERLIGHT's products integrate and function properly with all other parts of the instrument. Instruments fall into these categories include:

- A : Instruments attached to transportation tools
(aircraft, train, automobile)
- B : Traffic signs
- C : Gas leaking detectors and gas shutters
- D : Fire detectors
- E : Other safety detectors

3. When extremely high reliability and safety concerns are required, it is necessary that you contact EVERLIGHT for additional information before use. Instruments fall into these categories include:

- A : Aerospace instruments
- B : Telecommunication tools (main line)
- C : Nuclear weapon controls
- D : Medical instruments

4. Should you have any additional questions, please contact EVERLIGHT for details.

本資料所記載之製品的規格、特性、DATA、使用原料、構造...等，有時為了改良製品，無法事前通知，而逕行與予變更。因此請務必使用最新的規格書，並請針對內容加以確認。若因未確認規格書，導致使用次製品之機器或其他應用產品發生瑕疵時，敝公司將不負此責任。

使用本資料所記載之製品時，請遵守規格書所記載之絕對最大定格、使用上之注意事項，以及下列之注意點，若因不遵守規格書所記載之絕對最大定格、使用上之注意事項，以及下述之注意點，而導致發生損害問題時，敝公司將不負此責任。

注意項目：

1. 本資料所記載之製品，原則上是為了下述之用途而製造出來的產品
A: 電算機
B: OA機器
C: 通信機器
D: 計測機器
E: 工作機器
F: AV機器
G: 家電製品

若雖合乎上述用途，但是屬於下述2或3所記載之機器時，則需遵守個別產品之使用注意事項。

2. 若本資料所記載之製品用於下述講求高信賴性與安全性之用途時，因牽涉到機能與精度方面，為了維持這類機器的信賴性與安全性，請務必注重安全設計與長期性設計，並且需考慮整體機構的關係，依機器整體之安全設計來使用。
A: 運送機器(飛機、火車、汽車)與控制安全性等
 相關之產品
B: 交通信號機
C: 瓦斯漏氣檢測關閉機
D: 防災裝置
E: 各種安全裝置
3. 若本資料所記載之製品用於下述講求高信賴性與安全性之用途時，因牽涉到機能與精度方面，請事先與敝公司聯絡。
A: 太空機器(航太儀器)
B: 通信機器(幹線)
C: 原子彈控制機器
D: 醫療機器
4. 涉及上述注意事項之任何一項時，如有疑問，請和敝公司業務人員聯絡。

TECHNICAL DATA

HIGH POWER LED (SHUEN 炫, SHWO 燦, SHWO(D) 燦(D), SHWO(N) 燦(N), HV, JU 炬, XUAN 煊, A22, B05)

CIE BINNING RANKS

Cool-White Bin Coordinates

5000K				
Bin	50K-1	50K-2	50K-3	50K-4
CIE X	0.346	0.338	0.337	0.345
	0.345	0.337	0.337	0.344
	0.353	0.345	0.344	0.352
	0.355	0.346	0.345	0.353
CIE Y	0.369	0.362	0.349	0.356
	0.356	0.349	0.337	0.343
	0.362	0.356	0.343	0.349
	0.376	0.369	0.356	0.362

5700K				
Bin	57K-1	57K-2	57K-3	57K-4
CIE X	0.329	0.321	0.321	0.329
	0.329	0.321	0.322	0.329
	0.337	0.329	0.329	0.337
	0.338	0.329	0.329	0.337
CIE Y	0.354	0.346	0.335	0.342
	0.342	0.335	0.324	0.331
	0.349	0.342	0.331	0.337
	0.362	0.354	0.342	0.349

6500K				
Bin	65K-1	65K-2	65K-3	65K-4
CIE X	0.312	0.303	0.305	0.313
	0.313	0.305	0.307	0.315
	0.321	0.313	0.315	0.322
	0.321	0.312	0.313	0.321
CIE Y	0.339	0.330	0.321	0.329
	0.329	0.321	0.311	0.319
	0.337	0.329	0.319	0.326
	0.348	0.339	0.329	0.337

Warm-White Bin Coordinates

2700K				
Bin	27K-1	27K-2	27K-3	27K-4
CIE X	0.469	0.456	0.447	0.459
	0.459	0.447	0.437	0.448
	0.470	0.459	0.448	0.459
	0.481	0.469	0.459	0.470
CIE Y	0.429	0.426	0.408	0.410
	0.410	0.408	0.389	0.392
	0.413	0.410	0.392	0.394
	0.432	0.429	0.410	0.413

3000K				
Bin	30K-1	30K-2	30K-3	30K-4
CIE X	0.443	0.430	0.422	0.435
	0.435	0.422	0.415	0.426
	0.447	0.435	0.426	0.437
	0.456	0.443	0.435	0.447
CIE Y	0.421	0.417	0.399	0.403
	0.403	0.399	0.381	0.385
	0.408	0.403	0.385	0.389
	0.426	0.421	0.403	0.408

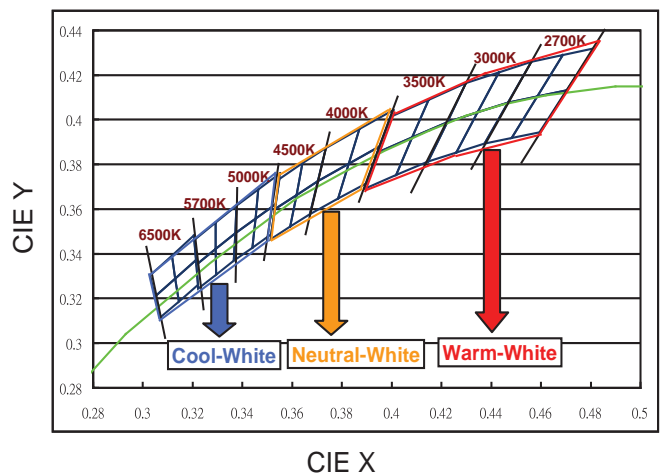
3500K				
Bin	35K-1	35K-2	35K-3	35K-4
CIE X	0.415	0.400	0.394	0.408
	0.408	0.394	0.389	0.402
	0.422	0.408	0.402	0.415
	0.430	0.415	0.408	0.422
CIE Y	0.409	0.402	0.385	0.392
	0.392	0.385	0.369	0.375
	0.399	0.392	0.375	0.381
	0.417	0.409	0.392	0.399

Natural-White Bin Coordinates

4000K				
Bin	40K-1	40K-2	40K-3	40K-4
CIE X	0.387	0.374	0.370	0.383
	0.383	0.370	0.367	0.378
	0.395	0.383	0.378	0.390
	0.401	0.387	0.383	0.395
CIE Y	0.396	0.387	0.373	0.380
	0.380	0.373	0.358	0.365
	0.388	0.380	0.365	0.372
	0.404	0.396	0.380	0.388

4500K				
Bin	45K-1	45K-2	45K-3	45K-4
CIE X	0.364	0.355	0.353	0.362
	0.362	0.353	0.351	0.359
	0.370	0.362	0.359	0.367
	0.374	0.364	0.362	0.370
CIE Y	0.381	0.374	0.360	0.366
	0.366	0.360	0.347	0.352
	0.373	0.366	0.352	0.358
	0.387	0.381	0.366	0.373

White Color Bin Structure



TECHNICAL DATA

HIGH POWER LED (SHUEN 炫, SHWO 爍, SHWO (D) 爍 (D), SHWO (N) 爍 (N), HV, JU 炬, XUAN 煊, A22, B05)

BRIGHTNESS BINNING RANKS

Shuen, Shwo, Shwo (D), HV Shuen, Shwo
 Brightness (lm) Wavelength (nm)
 Luminous Flux Bins

Ju, XUAN
 Brightness (lm)
 Luminous Flux Bins

Group	Binning	Minimum Photometric Flux (lm)	Maximum Photometric Flux (lm)	Group	Binning	Minimum Dominant Wavelength (nm)	Maximum Dominant Wavelength (nm)	Group	Binning	Minimum Photometric Flux (lm)	Maximum Photometric Flux (lm)	Group	Binning	Minimum Photometric Flux (lm)	Maximum Photometric Flux (lm)
E	1	4	5	B Blue/ Royal- Blue	1	430	435	F	1	27	33	S	1	2200	2400
	2	5	6		2	435	440		2	33	39		2	2400	2600
	3	6	8		3	440	445		3	39	45		3	2600	2800
	4	8	10		4	445	450		4	45	52		4	2800	3000
	5	10	13		5	450	455		5	52	60		5	3000	3200
	6	13	17		6	455	460		6	60	70		6	3200	3400
	7	17	20		7	460	465		7	70	80		7	3400	3600
	8	20	23		8	465	470		8	80	90		8	3600	3800
	9	23	27		9	520	525		9	90	100		9	3800	4000
F	1	27	33	G Green	1	525	530	J	1	100	110	M	1	4000	4200
	2	33	39		2	530	535		2	110	120		2	4200	4400
	3	39	45		3	535	540		3	120	130		3	4400	4600
	4	45	52		4	540	545		4	130	140		4	4600	4800
	5	52	60		5	545	550		5	140	150		5	4800	5000
	6	60	70		6	580	582.5		6	150	160		6	5000	5200
	7	70	80	A Amber	1	582.5	585		7	160	180		7	5200	5400
	8	80	90		2	585	587.5		8	180	200		8	5400	5600
	9	90	100		3	587.5	590		9	200	225		9	5600	5800
J	1	100	110	R Red	4	590	592.5	K	1	225	250	Q	1	5800	6000
	2	110	120		5	592.5	595		2	250	275		2	6000	6200
	3	120	130		6	610	615		3	275	300		3	6200	6400
	4	130	140		3	615	620		4	300	325		4	6400	6600
	5	140	150		4	615	620		5	325	350		5	6600	6800
	6	150	160		5	620	625		6	350	375		6	6800	7000
	7	160	180	6	625	630	7		375	400	7		7000	7200	
	8	180	200	7	630	635	8		400	425	8		7200	7400	
	9	200	225	1	635	640	9		425	450	9		7400	7600	
K	1	225	250	D Deep- Red	2	640	645	N	1	450	475	P	1	900	1000
	2	250	275		3	645	650		2	475	500		2	1000	1100
	3	275	300		4	650	655		3	500	550		3	1100	1200
	4	300	325		5	655	660		4	550	600		4	1200	1350
	5	325	350		6	660	665		5	600	650		5	1350	1500
	6	350	375		7	665	670		6	650	700		6	1500	1650
	7	375	400		8	670	675		7	700	750		7	1650	1800
	8	400	425		1	700	710		8	750	800		8	1800	2000
	9	425	450		2	710	715		9	800	900		9	2000	2200
N	1	450	475	F Far- Red	3	715	720	P	1	900	1000				
	2	475	500		4	720	725		2	1000	1100				
	3	500	525		5	725	730		3	1100	1200				
	4	525	550		6	730	735		4	1200	1350				
					7	735	740	5	1350	1500					
					8	740	745	6	1500	1650					
								7	1650	1800					
								8	1800	2000					
							9	2000	2200						

HIGH POWER LED (SHUEN 炫, SHWO 爍, SHWO(D) 爍(D), SHWO(N) 爍(N), A22, B05)

FORWARD VOLTAGE BINNING RANKS

A22, B05

Brightness (lm)

Luminous Flux Bins

Group	Binning	Minimum Photometric Flux (lm)	Maximum Photometric Flux (lm)
E	1	1.5	3
	2	3	4
	3	4	5
	4	5	6
	5	6	8
F	1	8	10
	2	10	13
	3	13	17
	4	17	20
	5	20	23
J	1	23	27
	2	27	33
	3	33	39
	4	39	45
	5	45	52
K	1	52	60
	2	60	70
	31	70	75
	32	75	80
	33	80	85
	41	85	90
	42	90	95
	43	95	100
	51	100	110
	52	110	120
	53	120	130
N	11	130	140
	12	140	150
	13	150	160
	21	160	180
	22	180	200
	31	200	225
	32	225	250
	41	250	275
	42	275	300
	51	300	350
	52	350	400
R	11	400	450
	12	450	500
	21	500	550
	22	550	600
	31	600	650
	32	650	700
	33	700	750
	4	750	1000
	5	1000	1300

Shuen & Shwo

Forward Voltage Bins

Group Name	Bins	
A	U1+U2+U3	
B	U2+U3+U4	
C	V1+V2+V3	
D	V2+V3+V4	
E	V3+V4+V5	
F	V1+V2	
G	V1	
Bin	Minimum Forward Voltage (V)	Maximum Forward Voltage (V)
U1	1.75	2.05
U2	2.05	2.35
U3	2.35	2.65
U4	2.65	2.95
V1	2.95	3.25
V2	3.25	3.55
V3	3.55	3.85
V4	3.85	4.15
V5	4.15	4.45

A22 (1W)

Forward Voltage Bins

Bin	Minimum Forward Voltage (V)	Maximum Forward Voltage (V)	
VD	13.5	14.7	
VE	14.7	15.9	
VF	VF-1	15.9	16.2
	VF-2	16.2	16.5
	VF-3	16.5	16.8
	VF-4	16.8	17.1
VG	VG-1	17.1	17.4
	VG-2	17.4	17.7
	VG-3	17.7	18.0
	VG-4	18.0	18.3

Shwo (D)

Forward Voltage Bins

Group Name	Bins	
A	U1+U2+U3+U4	
B	U2+U3+U4+V1	
C	V1+V2+V3	
D	V1+V2+V3+V4	
Bin	Minimum Forward Voltage (V)	Maximum Forward Voltage (V)
U1	1.75	2.05
U2	2.05	2.35
U3	2.35	2.65
U4	2.65	2.95
V1	2.95	3.25
V2	3.25	3.55
V3	3.55	3.85
V4	3.85	4.15

A22 (0.5W)

Forward Voltage Bins

Bin	Minimum Forward Voltage (V)	Maximum Forward Voltage (V)
V1	2.95	3.25
V2	3.25	3.55
V3	3.55	3.85
V4	3.85	4.15

B05

Forward Voltage Bins

Bin	Minimum Forward Voltage (V)	Maximum Forward Voltage (V)
O1	4.5	5.0
O2	5.0	5.5
O3	5.5	6.0
O4	6.0	6.5
O5	6.5	7.0
O6	7.0	7.5
O7	7.5	8.0
R1	8.0	9.0
R2	9.0	10.0
R3	10.0	11.0
R4	11.0	12.0

TECHNICAL DATA

HIGH POWER LED (HV, JU SERIES) FORWARD VOLTAGE BINNING RANKS

HV (1W)

Forward Voltage Bins For 110V

Group Name	Bins
A	A3+A4
B	A4+A5
C	A5+A6
D	A3+A4+A5
E	A4+A5+A6
F	A3+A4+A5+A6

Bin	Production Line	
	Minimum Voltage (V)	Maximum Voltage (V)
A1	43	45
A2	45	47
A3	47	49
A4	49	51
A5	51	53
A6	53	55
A7	55	57
A8	57	59
A9	59	61

HV (2W)

Forward Voltage Bins For 110V

Group Name	Bins
A	B3+B4
B	B4+B5
C	B5+B6
D	B3+B4+B5
E	B4+B5+B6
F	B3+B4+B5+B6

Bin	Production Line	
	Minimum Voltage (V)	Maximum Voltage (V)
B1	87	91
B2	91	95
B3	95	99
B4	99	103
B5	103	107
B6	107	111
B7	111	115
B8	115	119
B9	119	123

Ju (1215, 2024)

Forward Voltage Bins

Group	Binning	Minimum Forward Voltage(V)	Maximum Forward Voltage(V)
R	R1	9	10
	R2	10	11
	R3	11	12
	R4	12	13
	R5	13	14
	R6	14	15
	R7	15	16
	R8	16	17
	R9	17	18
T	T1	18	19
	T2	19	20
	T3	20	21
	T4	21	22
	T5	22	23
	T6	23	24
	T7	24	25
	T8	25	26
	T9	26	27
W	W1	27	29
	W2	29	31
	W3	31	33
	W4	33	35
	W5	35	37
	W6	37	39
	W7	39	41
	W8	41	43
	W9	43	45
X	X1	45	47
	X2	47	50
	X3	50	53
	X4	53	56
	X5	56	59
	X6	59	63
	X7	63	67
	X8	67	71
	X9	71	75
Y	Y1	75	79
	Y2	79	83
	Y3	83	88
	Y4	88	93
	Y5	93	98
	Y6	98	103
	Y7	103	108
	Y8	108	113

For Lighting Application Only

LOW MIDDLE POWER LED - SMD TYPE CIE BINNING RANKS

Cool-White Bin Coordinates

5000K						
Bin	A	B	C	D	F	G
CIE X	0.3551	0.3464	0.3371	0.3533	0.3487	0.3482
	0.3464	0.3376	0.3366	0.3482	0.3425	0.3422
	0.3456	0.3371	0.3441	0.3477	0.3422	0.3418
	0.3487	0.3422	0.3448	0.3448	0.3482	0.3477
	0.3482	0.3425	0.3418	0.3441	--	--
CIE Y	0.3533	0.3456	0.3422	0.3515	--	--
	0.3760	0.3688	0.3493	0.3624	0.3629	0.3583
	0.3688	0.3616	0.3369	0.3583	0.3579	0.3533
	0.3604	0.3493	0.3428	0.3530	0.3533	0.3483
	0.3629	0.3533	0.3507	0.3507	0.3583	0.3530
	0.3583	0.3579	0.3483	0.3428	--	--
	0.3624	0.3604	0.3533	0.3487	--	--

5700K						
Bin	A	B	C	D	F	G
CIE X	0.3376	0.3292	0.3215	0.3371	0.3321	0.3321
	0.3292	0.3207	0.3222	0.3321	0.3261	0.3262
	0.3292	0.3215	0.3294	0.3320	0.3262	0.3263
	0.3321	0.3262	0.3293	0.3293	0.3321	0.3320
	0.3321	0.3261	0.3263	0.3294	--	--
CIE Y	0.3371	0.3292	0.3262	0.3366	--	--
	0.3616	0.3539	0.3353	0.3493	0.3490	0.3447
	0.3539	0.3462	0.3243	0.3447	0.3436	0.3395
	0.3464	0.3353	0.3306	0.3401	0.3395	0.3350
	0.3490	0.3395	0.3377	0.3377	0.3447	0.3401
	0.3447	0.3436	0.3350	0.3306	--	--
	0.3493	0.3464	0.3395	0.3369	--	--

6500K						
Bin	A	B	C	D	F	G
CIE X	0.3205	0.3117	0.3048	0.3213	0.3157	0.3161
	0.3117	0.3028	0.3068	0.3161	0.3093	0.3100
	0.3125	0.3048	0.3145	0.3166	0.3100	0.3106
	0.3157	0.3100	0.3136	0.3136	0.3161	0.3166
	0.3161	0.3093	0.3106	0.3145	--	--
CIE Y	0.3213	0.3125	0.3100	0.3221	--	--
	0.3481	0.3393	0.3209	0.3371	0.3360	0.3320
	0.3393	0.3304	0.3113	0.3320	0.3297	0.3259
	0.3328	0.3209	0.3187	0.3281	0.3259	0.3222
	0.3360	0.3259	0.3251	0.3251	0.3320	0.3281
	0.3320	0.3297	0.3222	0.3187	--	--
	0.3371	0.3328	0.3259	0.3261	--	--

Natural-White Bin Coordinates

4000K						
Bin	A	B	C	D	F	G
CIE X	0.4006	0.3871	0.3703	0.3952	0.3890	0.3873
	0.3871	0.3736	0.3670	0.3873	0.3793	0.3779
	0.3843	0.3703	0.3784	0.3854	0.3779	0.3764
	0.3890	0.3779	0.3810	0.3810	0.3873	0.3854
	0.3873	0.3793	0.3764	0.3784	--	--
CIE Y	0.3952	0.3843	0.3779	0.3898	--	--
	0.4044	0.3959	0.3726	0.3880	0.3887	0.3831
	0.3959	0.3874	0.3578	0.3831	0.3828	0.3773
	0.3858	0.3726	0.3647	0.3768	0.3773	0.3713
	0.3887	0.3773	0.3741	0.3741	0.3831	0.3768
	0.3831	0.3828	0.3713	0.3647	--	--
	0.3880	0.3858	0.3773	0.3716	--	--

4500K						
Bin	A	B	C	D	F	G
CIE X	0.3736	0.3642	0.3530	0.3703	0.3658	0.3648
	0.3642	0.3548	0.3512	0.3648	0.3592	0.3584
	0.3626	0.3530	0.3591	0.3637	0.3584	0.3575
	0.3658	0.3584	0.3607	0.3607	0.3648	0.3637
	0.3648	0.3592	0.3575	0.3591	--	--
CIE Y	0.3703	0.3626	0.3584	0.3670	--	--
	0.3874	0.3805	0.3601	0.3726	0.3738	0.3686
	0.3805	0.3736	0.3465	0.3686	0.3689	0.3640
	0.3714	0.3601	0.3522	0.3630	0.3640	0.3585
	0.3738	0.3640	0.3608	0.3608	0.3686	0.3630
	0.3686	0.3689	0.3585	0.3522	--	--
	0.3726	0.3714	0.3640	0.3578	--	--

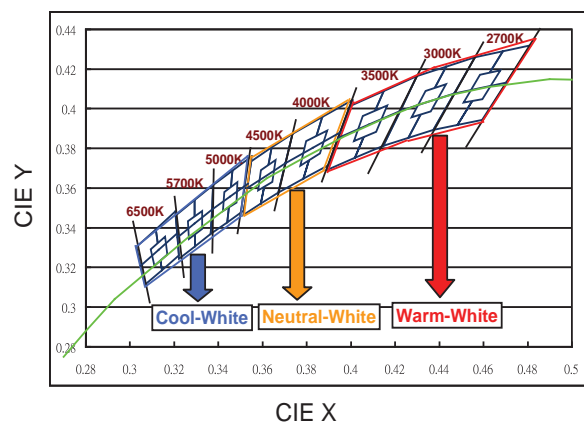
Warm-White Bin Coordinates

2700K						
Bin	A	B	C	D	F	G
CIE X	0.4813	0.4687	0.4465	0.4700	0.4667	0.4627
	0.4687	0.4562	0.4373	0.4627	0.4576	0.4539
	0.4621	0.4465	0.4483	0.4588	0.4539	0.4502
	0.4667	0.4539	0.4544	0.4544	0.4627	0.4588
	0.4627	0.4576	0.4502	0.4483	--	--
CIE Y	0.4700	0.4621	0.4539	0.4593	--	--
	0.4319	0.4289	0.4071	0.4126	0.4180	0.4109
	0.4289	0.4260	0.3893	0.4109	0.4158	0.4088
	0.4169	0.4071	0.3919	0.4041	0.4088	0.4020
	0.4180	0.4088	0.4030	0.4030	0.4109	0.4041
	0.4109	0.4158	0.4020	0.3919	--	--
	0.4126	0.4169	0.4088	0.3944	--	--

3000K						
Bin	A	B	C	D	F	G
CIE X	0.4562	0.4430	0.4221	0.4465	0.4422	0.4388
	0.4430	0.4299	0.4147	0.4388	0.4328	0.4297
	0.4375	0.4221	0.4259	0.4355	0.4297	0.4267
	0.4422	0.4297	0.4311	0.4311	0.4388	0.4355
	0.4388	0.4328	0.4267	0.4259	--	--
CIE Y	0.4465	0.4375	0.4297	0.4373	--	--
	0.4260	0.4212	0.3984	0.4071	0.4113	0.4043
	0.4212	0.4165	0.3814	0.4043	0.4079	0.4011
	0.4096	0.3984	0.3853	0.3977	0.4011	0.3946
	0.4113	0.4011	0.3962	0.3962	0.4043	0.3977
	0.4043	0.4079	0.3946	0.3853	--	--
	0.4071	0.4096	0.4011	0.3893	--	--

3500K						
Bin	A	B	C	D	F	G
CIE X	0.4299	0.4148	0.3943	0.4221	0.4159	0.4134
	0.4148	0.3996	0.3889	0.4134	0.4051	0.4029
	0.4106	0.3943	0.4018	0.4108	0.4029	0.4006
	0.4159	0.4029	0.4057	0.4057	0.4134	0.4108
	0.4134	0.4051	0.4006	0.4018	--	--
CIE Y	0.4221	0.4106	0.4029	0.4147	--	--
	0.4165	0.4090	0.3853	0.3984	0.4007	0.3943
	0.4090	0.4015	0.3690	0.3943	0.3954	0.3893
	0.3981	0.3853	0.3752	0.3878	0.3893	0.3829
	0.4007	0.3893	0.3853	0.3853	0.3943	0.3878
	0.3943	0.3954	0.3829	0.3752	--	--
	0.3984	0.3981	0.3893	0.3814	--	--

White Color Bin Structure



Chromaticity specification defined by ANSI

TECHNICAL DATA

For Lighting Application Only

LOW MIDDLE POWER LED - SURFACE MOUNT PLCC TYPE LED BRIGHTNESS BINNING RANKS

Luminous Flux Bins

Unit : lm

Bin code	Range	
	Min.	Max.
D1	0.5	1.0
D2	1.0	1.5
D3	1.5	2.0
D4	2.0	2.5
D5	2.5	3.0
D6	3.0	3.5
D7	3.5	4.0
D8	4.0	4.5
D9	4.5	5.0
BA	5.0	5.5
B1	5.5	6.0
B2	6.0	6.5
B3	6.5	7.0
B4	7.0	7.5
B5	7.5	8.0
B6	8.0	8.5
B7	8.5	9.0
B8	9.0	9.5
B9	9.5	10.0
L1	10.0	11.0
L2	11.0	12.0
L3	12.0	13.0
L4	13.0	14.0
L5	14.0	15.0
L6	15.0	16.0
L7	16.0	17.0
L8	17.0	18.0
L9	18.0	19.0
M3	19.0	21.0
M4	21.0	24.0
N3	24.0	27.0
N4	27.0	33.0
P3	33.0	39.0
P4	39.0	45.0
Q3	45.0	52.0
NB	32.0	36.0
PA	36.0	40.0
PB	40.0	45.0
QA	45.0	50.0
R1	50.0	55.0
R2	55.0	60.0
R3	60.0	65.0
R4	65.0	70.0
R5	70.0	76.0
R6	76.0	83.0
R7	83.0	90.0
R8	90.0	100.0
S1	100.0	110.0
S2	110.0	120.0
S3	120.0	130.0
S4	130.0	140.0
S5	140.0	150.0
S6	150.0	160.0
S7	160.0	170.0

VF Group Bin Code

Unit : V

Forward Voltage Group	Bin	Min.	Max.	
B2	B42	35	2.80	2.90
		36	2.90	3.00
		37	3.00	3.10
		38	3.10	3.20
		39	3.20	3.30
		40	3.30	3.40
		41	3.40	3.50
		42	3.50	3.60

Forward Voltage Group	Bin	Min.	Max.
5670	5#6	5.6	5.7
	5#7	5.7	5.8
	5#8	5.8	5.9
	5#9	5.9	6.0
	6#0	6.0	6.1
	6#1	6.1	6.2
	6#2	6.2	6.3
	6#3	6.3	6.4
	6#4	6.4	6.5
	6#5	6.5	6.6
	6#6	6.6	6.7
	6#7	6.7	6.8
	6#8	6.8	6.9
6#9	6.9	7.0	

Forward Voltage Group	Bin	Min.	Max.
8499	84C	8.4	8.7
	87C	8.7	9.0
	90C	9.0	9.3
	93C	9.3	9.6
	96C	9.6	9.9

SMD LED : SURFACE MOUNT CHIP LED (PCB TYPE) BRIGHTNESS BIN SELECTION

Luminous Intensity Groups

Unit : mcd

	C0: 0.28 ... 0.45	Q1: 72.0 ... 90.0
	D0: 0.45 ... 0.70	Q2: 90.0 ... 112
	E0: 0.70 ... 1.1	R1: 112 ... 140
	F0: 1.1 ... 1.8	R2: 140 ... 180
	G0: 1.8 ... 2.8	S1: 180 ... 225
	H0: 2.8 ... 4.5	S2: 225 ... 285
	J0: 4.5 ... 7.2	T1: 285 ... 360
	K0: 7.2 ... 11.5	T2: 360 ... 450
L ▶	L1: 11.5 ... 14.5	U1: 450 ... 565
	L2: 14.5 ... 18.0	U2: 565 ... 715
M ▶	M1: 18.0 ... 22.5	V0: 715 ... 1120
	M2: 22.5 ... 28.5	W0: 1120 ... 1800
N ▶	N1: 28.5 ... 36.0	X0: 1800 ... 2850
	N2: 36.0 ... 45.0	Y0: 2850 ... 4500
P ▶	P1: 45.0 ... 57.0	
	P2: 57.0 ... 72.0	

Note: The luminous intensity data did not include $\pm 15\%$ testing tolerance.

V_F (Forward Voltage Spec. Setup)

Unit : V

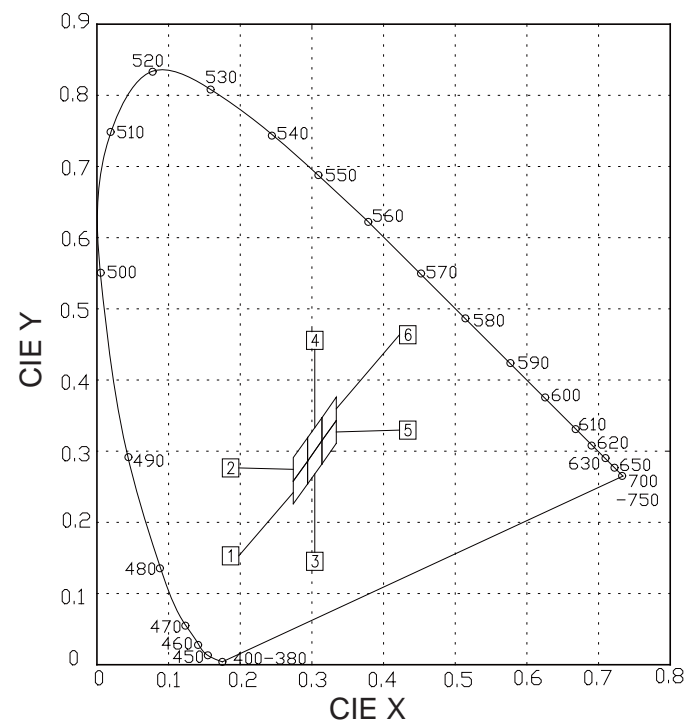
Forward Voltage Groups	Bin	Min.	Max.
	00	1.55	1.75
	0	1.75	1.95
	1	1.95	2.15
	2	2.15	2.35
	3	2.35	2.55
	4	2.55	2.75
	5	2.75	3.05
	6	3.05	3.35
	7	3.35	3.65
	8	3.65	3.95
	10	2.70	2.90
	11	2.90	3.10
	12	3.10	3.30
	13	3.30	3.50
	14	3.50	3.70
	15	2.70	2.85
	16	2.85	3.00
	17	3.00	3.15
	18	3.15	3.30

Note: The forward voltage data did not include $\pm 0.1V$ testing tolerance.

Bin Coordinate

Group	Bin Code	CIE_X	CIE_Y
A	1	0.274	0.226
		0.274	0.258
		0.294	0.286
		0.294	0.254
	2	0.274	0.258
		0.274	0.291
		0.294	0.319
		0.294	0.286
	3	0.294	0.254
		0.294	0.286
		0.314	0.315
		0.314	0.282
	4	0.294	0.286
		0.294	0.319
		0.314	0.347
		0.314	0.315
	5	0.314	0.282
		0.314	0.315
		0.334	0.343
		0.334	0.311
	6	0.314	0.315
		0.314	0.347
		0.334	0.376
		0.334	0.343

Bin Structure (White Light)



TECHNICAL DATA

For Lighting Application Only

SMD LED : SURFACE MOUNT PLCC LED (REFLECTOR) / LOW POWER LED
BRIGHTNESS BIN SELECTION

Luminous Intensity Groups

Unit : mcd

Bin Code	Min.	Max.	Bin Code	Min.	Max.
D1	0.5	1.0	NB	32.0	36.0
D2	1.0	1.5	PA	36.0	40.0
D3	1.5	2.0	PB	40.0	45.0
D4	2.0	2.5	QA	45.0	50.0
D5	2.5	3.0	R1	50.0	55.0
D6	3.0	3.5	R2	55.0	60.0
D7	3.5	4.0	R3	60.0	65.0
D8	4.0	4.5	R4	65.0	70.0
D9	4.5	5.0	R5	70.0	76.0
BA	5.0	5.5	R6	76.0	83.0
B1	5.5	6.0	R7	83.0	90.0
B2	6.0	6.5	R8	90.0	100.0
B3	6.5	7.0	S1	100.0	110.0
B4	7.0	7.5	S2	110.0	120.0
B5	7.5	8.0	S3	120.0	130.0
B6	8.0	8.5	S4	130.0	140.0
B7	8.5	9.0	S5	140.0	150.0
B8	9.0	9.5	S6	150.0	160.0
B9	9.5	10.0	S7	160.0	170.0
L1	10.0	11.0	S8	170.0	180.0
L2	11.0	12.0	T1	180.0	190.0
L3	12.0	13.0	T2	190.0	200.0
L4	13.0	14.0	T3	200.0	220.0
L5	14.0	15.0	T4	220.0	240.0
L6	15.0	16.0	T5	240.0	260.0
L7	16.0	17.0	T6	260.0	280.0
L8	17.0	18.0	T7	280.0	300.0
L9	18.0	19.0	T8	300.0	320.0
M3	19.0	21.0			
M4	21.0	24.0			
N3	24.0	27.0			
N4	27.0	33.0			
P3	33.0	39.0			
P4	39.0	45.0			
Q3	45.0	52.0			

V_F (Forward Voltage Spec. Setup)

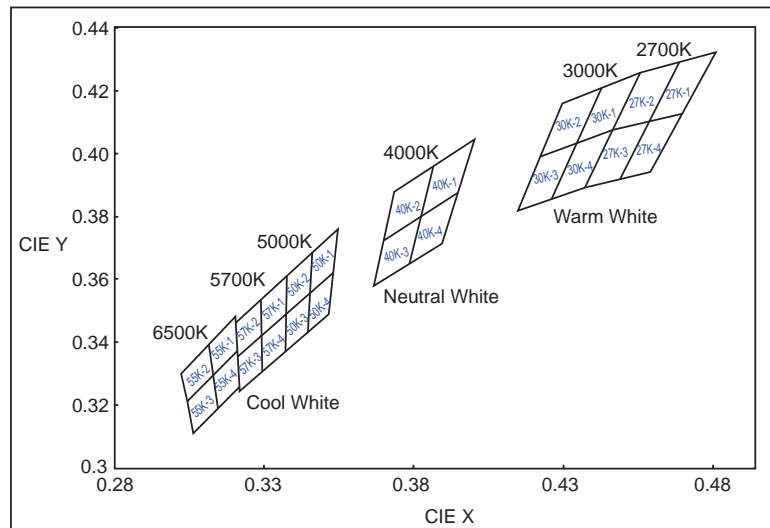
Unit : V (I_F=150mA)

Bin Group	Bin Code	Min.	Max.	
B42	B2	35	2.8	2.9
		36	2.9	3.0
		37	3.0	3.1
		38	3.1	3.2
		39	3.2	3.3
		40	3.3	3.4
		41	3.4	3.5
42	3.5	3.6		

Table of Color Rendering Index

Symbol	Description
M	CRI(Min.) : 60
N	CRI(Min.) : 65
L	CRI(Min.) : 70
Q	CRI(Min.) : 75
K	CRI(Min.) : 80
P	CRI(Min.) : 85
H	CRI(Min.) : 90

Bin Structure



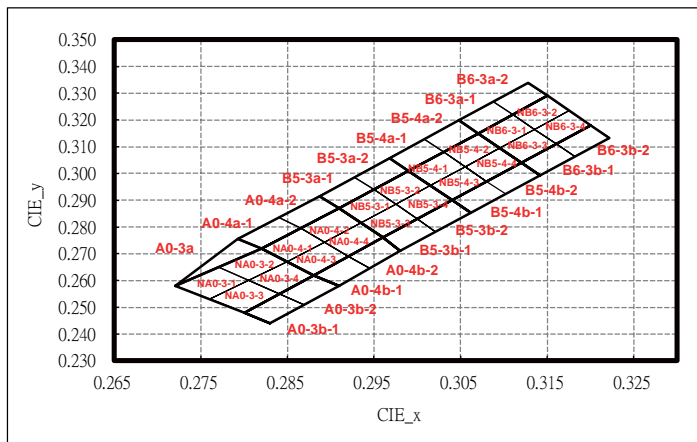
Bin Coordinate

CCT	Bin Code	CIE_x	CIE_y	Bin Code	CIE_x	CIE_y
6500K	65K-1	0.3205	0.3481	65K-3	0.3131	0.3290
		0.3117	0.3393		0.3048	0.3209
		0.3131	0.3290		0.3068	0.3113
		0.3213	0.3371		0.3145	0.3187
	65K-2	0.3117	0.3393	65K-4	0.3213	0.3371
		0.3028	0.3304		0.3131	0.3290
		0.3048	0.3209		0.3145	0.3187
		0.3131	0.3290		0.3221	0.3261
5700K	57K-1	0.3376	0.3616	57K-3	0.3293	0.3423
		0.3292	0.3539		0.3215	0.3353
		0.3293	0.3423		0.3222	0.3243
		0.3371	0.3493		0.3294	0.3306
	57K-2	0.3292	0.3539	57K-4	0.3371	0.3493
		0.3207	0.3462		0.3293	0.3423
		0.3215	0.3353		0.3294	0.3306
		0.3293	0.3423		0.3366	0.3369
5000K	50K-1	0.3551	0.3760	50K-3	0.3452	0.3558
		0.3464	0.3688		0.3371	0.3493
		0.3452	0.3558		0.3366	0.3369
		0.3533	0.3624		0.3441	0.3428
	50K-2	0.3464	0.3688	50K-4	0.3533	0.3624
		0.3376	0.3616		0.3452	0.3558
		0.3371	0.3493		0.3441	0.3428
		0.3452	0.3558		0.3515	0.3487
4000K	40K-1	0.4006	0.4044	40K-3	0.3828	0.3803
		0.3871	0.3959		0.3703	0.3726
		0.3828	0.3803		0.3670	0.3578
		0.3952	0.3880		0.3784	0.3647
	40K-2	0.3871	0.3959	40K-4	0.3952	0.3880
		0.3736	0.3874		0.3828	0.3803
		0.3703	0.3726		0.3784	0.3647
		0.3828	0.3803		0.3898	0.3716
3000K	30K-1	0.4562	0.4260	30K-3	0.4345	0.4033
		0.4431	0.4213		0.4223	0.3990
		0.4345	0.4033		0.4147	0.3814
		0.4468	0.4077		0.4260	0.3854
	30K-2	0.4431	0.4213	30K-4	0.4468	0.4077
		0.4299	0.4165		0.4345	0.4033
		0.4223	0.3990		0.4260	0.3854
		0.4345	0.4033		0.4373	0.3893
2700K	27K-1	0.4813	0.4319	27K-3	0.4585	0.4104
		0.4688	0.4290		0.4468	0.4077
		0.4585	0.4104		0.4373	0.3893
		0.4703	0.4132		0.4483	0.3919
	27K-2	0.4688	0.4290	27K-4	0.4703	0.4132
		0.4562	0.4260		0.4585	0.4104
		0.4468	0.4077		0.4483	0.3919
			0.4104			0.3944

TECHNICAL DATA

SMD LED (99 SERIES) BRIGHTNESS BIN SELECTION

Chromaticity Diagram



Bin Code of Chromaticity Coordinates

Bin Code	CIE_x	CIE_y	Bin Code	CIE_x	CIE_y	Bin Code	CIE_x	CIE_y	Bin Code	CIE_x	CIE_y		
NA0-3-1	0.2760	0.2530	NA0-3-2	0.2805	0.2600	NA0-4-1	0.2850	0.2670	NA0-4-2	0.2893	0.2743		
	0.2720	0.2580		0.2770	0.2650		0.2820	0.2720		0.2865	0.2795	0.2865	0.2795
	0.2770	0.2650		0.2820	0.2720		0.2865	0.2795		0.2910	0.2870	0.2910	0.2870
NA0-3-3	0.2805	0.2600	NA0-3-4	0.2850	0.2670	NA0-4-3	0.2880	0.2620	NA0-4-4	0.2935	0.2815		
	0.2800	0.2480		0.2840	0.2550		0.2880	0.2620		0.2920	0.2690	0.2920	0.2690
	0.2760	0.2530		0.2805	0.2600		0.2850	0.2670		0.2893	0.2743	0.2893	0.2743
A0-3b-1	0.2805	0.2600	A0-3b-2	0.2850	0.2670	A0-4b-1	0.2880	0.2620	A0-4b-2	0.2935	0.2815		
	0.2840	0.2550		0.2840	0.2550		0.2880	0.2620		0.2920	0.2690	0.2920	0.2690
	0.2760	0.2530		0.2805	0.2600		0.2850	0.2670		0.2893	0.2743	0.2893	0.2743
A0-4a-1	0.2840	0.2550	A0-4a-2	0.2880	0.2620	B5-3a-1	0.2920	0.2690	B5-3a-2	0.2966	0.2760		
	0.2820	0.2720		0.2865	0.2795		0.2910	0.2580		0.2945	0.2645	0.2945	0.2645
	0.2793	0.2755		0.2840	0.2836		0.2887	0.2916		0.2920	0.2690	0.2887	0.2916
A0-3a	0.2840	0.2836	A0-3a	0.2887	0.2916	NB5-3-1	0.2950	0.2940	NB5-3-2	0.2980	0.2710		
	0.2865	0.2795		0.2910	0.2870		0.2910	0.2870		0.2950	0.2940	0.2910	0.2870
	0.2720	0.2580		0.2935	0.2815		0.2950	0.2940		0.2975	0.2885	0.2975	0.2885
NB5-3-3	0.2720	0.2580	NB5-3-4	0.2910	0.2870	B5-4b-1	0.2950	0.2940	B5-4b-2	0.2950	0.2940		
	0.2793	0.2755		0.2975	0.2885		0.3062	0.2853		0.3102	0.2923	0.2975	0.2885
	0.2820	0.2720		0.3000	0.2830		0.3040	0.2900		0.3080	0.2970	0.3000	0.2830
B5-3b-1	0.3000	0.2830	B5-3b-2	0.3040	0.2900	B6-3a-1	0.3102	0.2923	B6-3a-2	0.3142	0.2993		
	0.2980	0.2710		0.3021	0.2782		0.3070	0.3150		0.3110	0.3220	0.3021	0.2782
	0.2960	0.2760		0.3000	0.2830		0.3048	0.3198		0.3070	0.3150	0.3000	0.2830
B5-4a-1	0.3040	0.3080	B5-4a-2	0.3080	0.3150	NB6-3-1	0.3110	0.3220	NB6-3-2	0.3150	0.3290		
	0.2990	0.3010		0.3030	0.3080		0.3095	0.3095		0.3135	0.3165	0.2990	0.3010
	0.2968	0.3058		0.3008	0.3128		0.3070	0.3150		0.3110	0.3220	0.3008	0.3128
NB5-4-1	0.3030	0.3080	NB5-4-2	0.3048	0.3198	NB6-3-3	0.3135	0.3165	NB6-3-4	0.3175	0.3235		
	0.3015	0.2955		0.3055	0.3025		0.3120	0.3040		0.3160	0.3110	0.3015	0.2955
	0.2990	0.3010		0.3030	0.3080		0.3095	0.3095		0.3135	0.3165	0.2990	0.3010
NB5-4-3	0.3030	0.3080	NB5-4-4	0.3070	0.3150	B6-3b-1	0.3160	0.3110	B6-3b-2	0.3200	0.3180		
	0.3055	0.3025		0.3080	0.2970		0.3142	0.2993		0.3182	0.3063	0.3055	0.3025
	0.3040	0.2900		0.3055	0.3025		0.3120	0.3040		0.3160	0.3110	0.3040	0.2900
	0.3080	0.2970		0.3120	0.3040		0.3182	0.3063		0.3222	0.3133		

V_F (Forward Voltage Spec. Setup)

Unit : V

Groups											Bin	Min.	Max.	Groups	Bin	Min.	Max.	
I	X	R	N	K	E	S	W	J	Y	U	4-2-3	2.70	2.80	Z	T	5-1	2.75	2.85
											5-1-3	2.80	2.90			5-2	2.85	2.95
											5-2-3	2.90	3.00			6-1	2.95	3.05
											6-1-3	3.00	3.10			6-2	3.05	3.15
											6-2-3	3.10	3.20			7-1	3.15	3.25
											7-1-3	3.20	3.30			7-2	3.25	3.35
											7-2-3	3.30	3.40			8-1	3.35	3.45

Note: Tolerance of Forward Voltage: ±0.05V

Luminous Flux

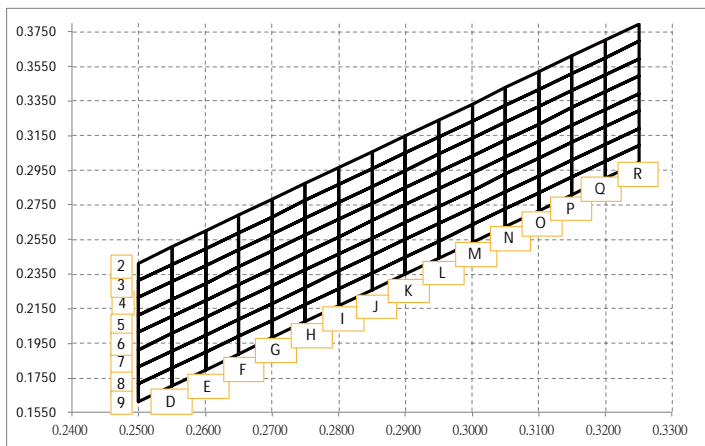
Bin	Unit: lm		Unit: mcd.	
	Min	Max	Min	Max
L45	4.50	4.75	1605	1695
L47	4.75	5.00	1695	1785
L50	5.00	5.25	1785	1875
L52	5.25	5.50	1875	1965
L55	5.50	5.75	1965	2055
L57	5.75	6.00	2055	2145
L60	6.00	6.25	2145	2235
L62	6.25	6.50	2235	2325
L65	6.50	6.75	2325	2415
L67	6.75	7.00	2415	2505
L70	7.00	7.25	2505	2595
L72	7.25	7.50	2595	2685
L75	7.50	7.75	2685	2775
L77	7.75	8.00	2775	2865
L80	8.00	8.25	2865	2955
L82	8.25	8.50	2955	3045
L85	8.50	8.75	3045	3135
L87	8.75	9.00	3135	3225
L90	9.00	9.25	3225	3315
L92	9.25	9.50	3315	3405
L95	9.50	9.75	3405	3495
L97	9.75	10.00	3495	3585

Note: Tolerance of Luminous Flux: ±7%.

TECHNICAL DATA

SMD LED (3003, 3004, 3006 SERIES) BRIGHTNESS BIN SELECTION

Chromaticity Diagram



Bin code of Chromaticity Coordinates

Bin	CIE_x	CIE_y	Bin	CIE_x	CIE_y	Bin	CIE_x	CIE_y
A1	0.2731	0.2569	B1	0.2770	0.2644	C1	0.2809	0.2719
	0.2702	0.2603		0.2741	0.2678		0.2780	0.2753
	0.2741	0.2678		0.2780	0.2753		0.2819	0.2828
	0.2770	0.2644		0.2809	0.2719		0.2848	0.2794
A2	0.2760	0.2535	B2	0.2799	0.2610	C2	0.2838	0.2685
	0.2731	0.2569		0.2770	0.2644		0.2809	0.2719
	0.2770	0.2644		0.2809	0.2719		0.2848	0.2794
	0.2799	0.2610		0.2838	0.2685		0.2877	0.2760
A3	0.2789	0.2501	B3	0.2828	0.2576	C3	0.2867	0.2651
	0.2760	0.2535		0.2799	0.2610		0.2838	0.2685
	0.2799	0.2610		0.2838	0.2685		0.2877	0.2760
	0.2828	0.2576		0.2867	0.2651		0.2906	0.2726
A4	0.2818	0.2467	B4	0.2856	0.2539	C4	0.2895	0.2614
	0.2789	0.2501		0.2828	0.2576		0.2867	0.2651
	0.2828	0.2576		0.2867	0.2651		0.2906	0.2726
	0.2856	0.2539		0.2895	0.2614		0.2934	0.2689
A5	0.2847	0.2433	B5	0.2885	0.2505	C5	0.2924	0.2580
	0.2818	0.2467		0.2856	0.2539		0.2895	0.2614
	0.2856	0.2539		0.2895	0.2614		0.2934	0.2689
	0.2885	0.2505		0.2924	0.2580		0.2963	0.2655
A6	0.2876	0.2399	B6	0.2915	0.2474	C6	0.2954	0.2549
	0.2847	0.2433		0.2885	0.2505		0.2924	0.2580
	0.2885	0.2505		0.2924	0.2580		0.2963	0.2655
	0.2915	0.2474		0.2954	0.2549		0.2992	0.2621
A7	0.2905	0.2365	B7	0.2944	0.2440	C7	0.2983	0.2515
	0.2876	0.2399		0.2915	0.2474		0.2954	0.2549
	0.2915	0.2474		0.2954	0.2549		0.2992	0.2621
	0.2944	0.2440		0.2983	0.2515		0.3021	0.2587
A8	0.2934	0.2331	B8	0.2973	0.2406	C8	0.3012	0.2481
	0.2905	0.2365		0.2944	0.2440		0.2983	0.2515
	0.2944	0.2440		0.2983	0.2515		0.3021	0.2587
	0.2973	0.2406		0.3012	0.2481		0.3051	0.2556

Bin	CIE_x	CIE_y	Bin	CIE_x	CIE_y	Bin	CIE_x	CIE_y	Bin	CIE_x	CIE_y	Bin	CIE_x	CIE_y	Bin	CIE_x	CIE_y					
D1	0.2848	0.2794	E1	0.2887	0.2869	F1	0.2926	0.2944	G1	0.2965	0.3019	H1	0.3004	0.3094	J1	0.3043	0.3169	K1	0.3082	0.3244		
	0.2819	0.2828		0.2858	0.2903		0.2897	0.2978		0.2936	0.3053		0.2975	0.3128		0.3014	0.3203		0.3053	0.3278	0.3092	0.3353
	0.2858	0.2903		0.2897	0.2978		0.2936	0.3053		0.2965	0.3019		0.3004	0.3094		0.3043	0.3169		0.3082	0.3244	0.3121	0.3319
	0.2887	0.2869		0.2926	0.2944		0.2955	0.2910		0.2994	0.2985		0.2994	0.2985		0.3033	0.3060		0.3072	0.3135	0.3111	0.3210
D2	0.2877	0.2760	E2	0.2916	0.2835	F2	0.2955	0.2910	G2	0.2994	0.2985	H2	0.3033	0.3060	J2	0.3072	0.3135	K2	0.3111	0.3210		
	0.2848	0.2794		0.2887	0.2869		0.2926	0.2944		0.2965	0.3019		0.3004	0.3094		0.3043	0.3169		0.3082	0.3244	0.3121	0.3319
	0.2887	0.2869		0.2926	0.2944		0.2955	0.2910		0.2994	0.2985		0.2994	0.2985		0.3033	0.3060		0.3072	0.3135	0.3111	0.3210
	0.2916	0.2835		0.2955	0.2910		0.2994	0.2985		0.3033	0.3060		0.3072	0.3135		0.3111	0.3210		0.3140	0.3176	0.3179	0.3251
D3	0.2906	0.2726	E3	0.2945	0.2801	F3	0.2984	0.2876	G3	0.3023	0.2951	H3	0.3062	0.3026	J3	0.3101	0.3101	K3	0.3140	0.3176		
	0.2877	0.2760		0.2916	0.2835		0.2955	0.2910		0.2994	0.2985		0.2994	0.2985		0.3033	0.3060		0.3072	0.3135	0.3111	0.3210
	0.2916	0.2835		0.2955	0.2910		0.2994	0.2985		0.3033	0.3060		0.3072	0.3135		0.3111	0.3210		0.3140	0.3176	0.3179	0.3251
	0.2945	0.2801		0.2984	0.2876		0.3023	0.2951		0.3062	0.3026		0.3101	0.3101		0.3140	0.3176		0.3168	0.3139	0.3168	0.3139
D4	0.2934	0.2689	E4	0.2973	0.2764	F4	0.3012	0.2839	G4	0.3051	0.2914	H4	0.3090	0.2989	J4	0.3129	0.3064	K4	0.3168	0.3139		
	0.2906	0.2726		0.2945	0.2801		0.2984	0.2876		0.3023	0.2951		0.3062	0.3026		0.3101	0.3101		0.3140	0.3176	0.3179	0.3251
	0.2945	0.2801		0.2984	0.2876		0.3023	0.2951		0.3062	0.3026		0.3101	0.3101		0.3140	0.3176		0.3168	0.3139	0.3168	0.3139
	0.2973	0.2764		0.3012	0.2839		0.3051	0.2914		0.3090	0.2989		0.3129	0.3064		0.3168	0.3139		0.3207	0.3214	0.3207	0.3214
D5	0.2963	0.2655	E5	0.3002	0.2730	F5	0.3041	0.2805	G5	0.3080	0.2880	H5	0.3119	0.2955	J5	0.3158	0.3030	K5	0.3197	0.3105		
	0.2934	0.2689		0.2973	0.2764		0.3012	0.2839		0.3051	0.2914		0.3090	0.2989		0.3129	0.3064		0.3168	0.3139	0.3168	0.3139
	0.2973	0.2764		0.3012	0.2839		0.3051	0.2914		0.3090	0.2989		0.3129	0.3064		0.3168	0.3139		0.3207	0.3214	0.3207	0.3214
	0.3002	0.2730		0.3041	0.2805		0.3080	0.2880		0.3119	0.2955		0.3158	0.3030		0.3197	0.3105		0.3226	0.3071	0.3226	0.3071
D6	0.2992	0.2621	E6	0.3031	0.2696	F6	0.3070	0.2771	G6	0.3109	0.2846	H6	0.3148	0.2846	J6	0.3187	0.2996	K6	0.3226	0.3071		
	0.2963	0.2655		0.3002	0.2730		0.3041	0.2805		0.3080	0.2880		0.3119	0.2955		0.3158	0.3030		0.3197	0.3105	0.3197	0.3105
	0.3002	0.2730		0.3041	0.2805		0.3080	0.2880		0.3119	0.2955		0.3158	0.3030		0.3197	0.3105		0.3226	0.3071	0.3226	0.3071
	0.3031	0.2696		0.3070	0.2771		0.3109	0.2846		0.3148	0.2846		0.3187	0.2996		0.3226	0.3071		0.3255	0.3037	0.3255	0.3037
D7	0.3021	0.2587	E7	0.3060	0.2662	F7	0.3099	0.2737	G7	0.3138	0.2812	H7	0.3177	0.2887	J7	0.3216	0.2962	K7	0.3255	0.3037		
	0.2992	0.2621		0.3031	0.2696		0.3070	0.2771		0.3109	0.2846		0.3148	0.2846		0.3187	0.2996		0.3226	0.3071	0.3226	0.3071
	0.3031	0.2696		0.3070	0.2771		0.3109	0.2846		0.3148	0.2846		0.3187	0.2996		0.3226	0.3071		0.3255	0.3037	0.3255	0.3037
	0.3060	0.2662		0.3099	0.2737		0.3138	0.2812		0.3177	0.2887		0.3216	0.2962		0.3255	0.3037		0.3294	0.3112	0.3294	0.3112
D8	0.3051	0.2556	E8	0.3090	0.2631	F8	0.3129	0.2706	G8	0.3168	0.2781	H8	0.3207	0.2856	J8	0.3246	0.2931	K8	0.3285	0.3006		
	0.3021	0.2587		0.3060	0.2662		0.3099	0.2737		0.3138	0.2812		0.3177	0.2887		0.3216	0.2962		0.3255	0.3037	0.3255	0.3037
	0.3060	0.2662		0.3099	0.2737		0.3138	0.2812		0.3177	0.2887		0.3216	0.2962		0.3255	0.3037		0.3294	0.3112	0.3294	0.3112
	0.3090	0.2631		0.3129	0.2706		0.3168	0.2781		0.3207	0.2856		0.3246	0.2931		0.3285	0.3006		0.3312	0.3121	0.3312	0.3121

Bin Code of Chromaticity Coordinates

Bin	CIE_x	CIE_y	Bin	CIE_x	CIE_y	Bin	CIE_x	CIE_y	Bin	CIE_x	CIE_y	Bin	CIE_x	CIE_y
N2	0.3000	0.3234	O2	0.3050	0.3326	P2	0.3100	0.3418	Q2	0.3150	0.3510	R2	0.3200	0.3602
	0.3000	0.3334		0.3050	0.3426		0.3100	0.3518		0.3150	0.3610		0.3200	0.3702
	0.3050	0.3426		0.3100	0.3518		0.3150	0.3610		0.3200	0.3702		0.3250	0.3794
	0.3050	0.3326		0.3100	0.3418		0.3150	0.3510		0.3200	0.3602		0.3250	0.3694
N3	0.3000	0.3134	O3	0.3050	0.3226	P3	0.3100	0.3318	Q3	0.3150	0.3410	R3	0.3200	0.3502
	0.3000	0.3234		0.3050	0.3326		0.3100	0.3418		0.3150	0.3510		0.3200	0.3602
	0.3050	0.3326		0.3100	0.3418		0.3150	0.3510		0.3200	0.3602		0.3250	0.3694
	0.3050	0.3226		0.3100	0.3318		0.3150	0.3410		0.3200	0.3502		0.3250	0.3594
N4	0.3000	0.3034	O4	0.3050	0.3126	P4	0.3100	0.3218	Q4	0.3150	0.3310	R4	0.3200	0.3402
	0.3000	0.3134		0.3050	0.3226		0.3100	0.3318		0.3150	0.3410		0.3200	0.3502
	0.3050	0.3226		0.3100	0.3318		0.3150	0.3410		0.3200	0.3502		0.3250	0.3594
	0.3050	0.3126		0.3100	0.3218		0.3150	0.3310		0.3200	0.3402		0.3250	0.3494
N5	0.3000	0.2934	O5	0.3050	0.3026	P5	0.3100	0.3118	Q5	0.3150	0.3210	R5	0.3200	0.3302
	0.3000	0.3034		0.3050	0.3126		0.3100	0.3218		0.3150	0.3310		0.3200	0.3402
	0.3050	0.3126		0.3100	0.3218		0.3150	0.3310		0.3200	0.3402		0.3250	0.3494
	0.3050	0.3026		0.3100	0.3118		0.3150	0.3210		0.3200	0.3302		0.3250	0.3394
N6	0.3000	0.2834	O6	0.3050	0.2926	P6	0.3100	0.3018	Q6	0.3150	0.3110	R6	0.3200	0.3202
	0.3000	0.2934		0.3050	0.3026		0.3100	0.3118		0.3150	0.3210		0.3200	0.3302
	0.3050	0.3026		0.3100	0.3118		0.3150	0.3210		0.3200	0.3302		0.3250	0.3394
	0.3050	0.2926		0.3100	0.3018		0.3150	0.3110		0.3200	0.3202		0.3250	0.3294
N7	0.3000	0.2734	O7	0.3050	0.2826	P7	0.3100	0.2918	Q7	0.3150	0.3010	R7	0.3200	0.3102
	0.3000	0.2834		0.3050	0.2926		0.3100	0.3018		0.3150	0.3110		0.3200	0.3202
	0.3050	0.2926		0.3100	0.3018		0.3150	0.3110		0.3200	0.3202		0.3250	0.3294
	0.3050	0.2826		0.3100	0.2918		0.3150	0.3010		0.3200	0.3102		0.3250	0.3194
N8	0.3000	0.2634	O8	0.3050	0.2726	P8	0.3100	0.2818	Q8	0.3150	0.2910	R8	0.3200	0.3002
	0.3000	0.2734		0.3050	0.2826		0.3100	0.2918		0.3150	0.3010		0.3200	0.3102
	0.3050	0.2826		0.3100	0.2918		0.3150	0.3010		0.3200	0.3102		0.3250	0.3194
	0.3050	0.2726		0.3100	0.2818		0.3150	0.2910		0.3200	0.3002		0.3250	0.3094
N9	0.3000	0.2534	O9	0.3050	0.2626	P9	0.3100	0.2718	Q9	0.3150	0.2810	R9	0.3200	0.2902
	0.3000	0.2634		0.3050	0.2726		0.3100	0.2818		0.3150	0.2910		0.3200	0.3002
	0.3050	0.2726		0.3100	0.2818		0.3150	0.2910		0.3200	0.3002		0.3250	0.3094
	0.3050	0.2626		0.3100	0.2718		0.3150	0.2810		0.3200	0.2902		0.3250	0.2994

Luminous Flux

Bin	Unit: lm		Unit: mcd	
	Min.	Max.	Min.	Max.
L45	4.50	4.75	1605	1695
L47	4.75	5.00	1695	1785
L50	5.00	5.25	1785	1875
L52	5.25	5.50	1875	1965
L55	5.50	5.75	1965	2055
L57	5.75	6.00	2055	2145
L60	6.00	6.25	2145	2235
L62	6.25	6.50	2235	2325
L65	6.50	6.75	2325	2415
L67	6.75	7.00	2415	2505
L70	7.00	7.25	2505	2595
L72	7.25	7.50	2595	2685
L75	7.50	7.75	2685	2775
L77	7.75	8.00	2775	2865
L80	8.00	8.25	2865	2955
L82	8.25	8.50	2955	3045
L85	8.50	8.75	3045	3135
L87	8.75	9.00	3135	3225
L90	9.00	9.25	3225	3315
L92	9.25	9.50	3315	3405
L95	9.50	9.75	3405	3495
L97	9.75	10.00	3495	3585

Note: Tolerance of Forward Voltage: $\pm 0.05V$.

V_F (Forward Voltage Spec. Setup)

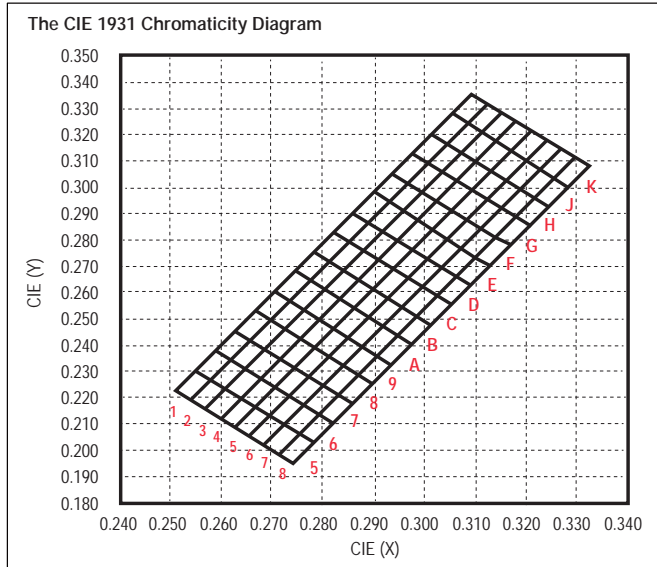
Bin	Unit: V	
	Min.	Max.
U1	2.60	2.70
U2	2.70	2.80
U3	2.80	2.90
U4	2.90	3.00
U5	3.00	3.10
U6	3.10	3.20
U7	3.20	3.30
U8	3.30	3.40
U9	3.40	3.50
V1	2.65	2.75
V2	2.75	2.85
V3	2.85	2.95
V4	2.95	3.05
V5	3.05	3.15
V6	3.15	3.25
V7	3.25	3.35
V8	3.35	3.45
V9	3.45	3.55

Note: Tolerance of Forward Voltage: $\pm 0.05V$.

TECHNICAL DATA

SMD LED (50 SERIES) BRIGHTNESS BIN SELECTION

Chromaticity Diagram



Bin Code of Chromaticity Coordinates

Bin	CIE_x	CIE_y	Bin	CIE_x	CIE_y	Bin	CIE_x	CIE_y
D2	0.2500	0.2314	E2	0.2550	0.2406	F2	0.2600	0.2498
	0.2500	0.2414		0.2550	0.2506		0.2600	0.2598
	0.2550	0.2506		0.2600	0.2598		0.2650	0.2690
	0.2550	0.2406		0.2600	0.2498		0.2650	0.2590
D3	0.2500	0.2214	E3	0.2550	0.2306	F3	0.2600	0.2398
	0.2500	0.2314		0.2550	0.2406		0.2600	0.2498
	0.2550	0.2406		0.2600	0.2498		0.2650	0.2590
	0.2550	0.2306		0.2600	0.2398		0.2650	0.2490
D4	0.2500	0.2114	E4	0.2550	0.2206	F4	0.2600	0.2298
	0.2500	0.2214		0.2550	0.2306		0.2600	0.2398
	0.2550	0.2306		0.2600	0.2398		0.2650	0.2490
	0.2550	0.2206		0.2600	0.2298		0.2650	0.2390
D5	0.2500	0.2014	E5	0.2550	0.2106	F5	0.2600	0.2198
	0.2500	0.2114		0.2550	0.2206		0.2600	0.2298
	0.2550	0.2206		0.2600	0.2298		0.2650	0.2390
	0.2550	0.2106		0.2600	0.2198		0.2650	0.2290
D6	0.2500	0.1914	E6	0.2550	0.2006	F6	0.2600	0.2098
	0.2500	0.2014		0.2550	0.2106		0.2600	0.2198
	0.2550	0.2106		0.2600	0.2198		0.2650	0.2290
	0.2550	0.2006		0.2600	0.2098		0.2650	0.1898
D7	0.2500	0.1814	E7	0.2550	0.1906	F7	0.2600	0.1998
	0.2500	0.1914		0.2550	0.2006		0.2600	0.2098
	0.2550	0.2006		0.2600	0.2098		0.2650	0.2190
	0.2550	0.1906		0.2600	0.1998		0.2650	0.2090
D8	0.2500	0.1714	E8	0.2550	0.1806	F8	0.2600	0.1898
	0.2500	0.1814		0.2550	0.1906		0.2600	0.1998
	0.2550	0.1906		0.2600	0.1998		0.2650	0.2090
	0.2550	0.1806		0.2600	0.1898		0.2650	0.1990
D9	0.2500	0.1614	E9	0.2550	0.1706	F9	0.2600	0.1798
	0.2500	0.1714		0.2550	0.1806		0.2600	0.1898
	0.2550	0.1806		0.2600	0.1898		0.2650	0.1990
	0.2550	0.1706		0.2600	0.1798		0.2650	0.1890

Bin	CIE_x	CIE_y	Bin	CIE_x	CIE_y	Bin	CIE_x	CIE_y	Bin	CIE_x	CIE_y	Bin	CIE_x	CIE_y	Bin	CIE_x	CIE_y			
G2	0.2650	0.2590	H2	0.2700	0.2682	I2	0.2750	0.2774	J2	0.2800	0.2866	K2	0.2850	0.2958	L2	0.2900	0.3050	M2	0.2950	0.3142
	0.2650	0.2690		0.2700	0.2782		0.2750	0.2874		0.2800	0.2966		0.2850	0.3058		0.2900	0.3150		0.2950	0.3242
	0.2700	0.2782		0.2750	0.2874		0.2800	0.2966		0.2850	0.2958		0.2900	0.3050		0.2950	0.3142		0.3000	0.3234
	0.2700	0.2682		0.2750	0.2774		0.2800	0.2866		0.2850	0.2958		0.2900	0.3050		0.2950	0.3142		0.3000	0.3234
G3	0.2650	0.2490	H3	0.2700	0.2582	I3	0.2750	0.2674	J3	0.2800	0.2766	K3	0.2850	0.2858	L3	0.2900	0.2950	M3	0.2950	0.3042
	0.2650	0.2590		0.2700	0.2682		0.2750	0.2774		0.2800	0.2866		0.2850	0.2958		0.2900	0.3050		0.2950	0.3142
	0.2700	0.2682		0.2750	0.2774		0.2800	0.2866		0.2850	0.2958		0.2900	0.3050		0.2950	0.3142		0.3000	0.3234
	0.2700	0.2582		0.2750	0.2674		0.2800	0.2766		0.2850	0.2858		0.2900	0.2950		0.2950	0.3042		0.3000	0.3134
G4	0.2650	0.2390	H4	0.2700	0.2482	I4	0.2750	0.2574	J4	0.2800	0.2666	K4	0.2850	0.2758	L4	0.2900	0.2850	M4	0.2950	0.2942
	0.2650	0.2490		0.2700	0.2582		0.2750	0.2674		0.2800	0.2766		0.2850	0.2858		0.2900	0.2950		0.2950	0.3042
	0.2700	0.2582		0.2750	0.2674		0.2800	0.2766		0.2850	0.2858		0.2900	0.2950		0.2950	0.3042		0.3000	0.3134
	0.2700	0.2482		0.2750	0.2574		0.2800	0.2666		0.2850	0.2758		0.2900	0.2850		0.2950	0.2942		0.3000	0.3034
G5	0.2650	0.2290	H5	0.2700	0.2382	I5	0.2750	0.2474	J5	0.2800	0.2566	K5	0.2850	0.2658	L5	0.2900	0.2750	M5	0.2950	0.2842
	0.2650	0.2390		0.2700	0.2482		0.2750	0.2574		0.2800	0.2666		0.2850	0.2758		0.2900	0.2850		0.2950	0.2942
	0.2700	0.2482		0.2750	0.2574		0.2800	0.2666		0.2850	0.2758		0.2900	0.2850		0.2950	0.2942		0.3000	0.3034
	0.2700	0.2382		0.2750	0.2474		0.2800	0.2566		0.2850	0.2658		0.2900	0.2750		0.2950	0.2842		0.3000	0.2934
G6	0.2650	0.2190	H6	0.2700	0.2282	I6	0.2750	0.2374	J6	0.2800	0.2466	K6	0.2850	0.2558	L6	0.2900	0.2650	M6	0.2950	0.2742
	0.2650	0.2290		0.2700	0.2382		0.2750	0.2474		0.2800	0.2566		0.2850	0.2658		0.2900	0.2750		0.2950	0.2842
	0.2700	0.2382		0.2750	0.2474		0.2800	0.2566		0.2850	0.2658		0.2900	0.2750		0.2950	0.2842		0.3000	0.2934
	0.2700	0.2282		0.2750	0.2374		0.2800	0.2466		0.2850	0.2558		0.2900	0.2650		0.2950	0.2742		0.3000	0.2834
G7	0.2650	0.2090	H7	0.2700	0.2182	I7	0.2750	0.2274	J7	0.2800	0.2366	K7	0.2850	0.2458	L7	0.2900	0.2550	M7	0.2950	0.2642
	0.2650	0.2190		0.2700	0.2282		0.2750	0.2374		0.2800	0.2466		0.2850	0.2558		0.2900	0.2650		0.2950	0.2742
	0.2700	0.2282		0.2750	0.2374		0.2800	0.2466		0.2850	0.2558		0.2900	0.2650		0.2950	0.2742		0.3000	0.2834
	0.2700	0.2182		0.2750	0.2274		0.2800	0.2366		0.2850	0.2458		0.2900	0.2550		0.2950	0.2642		0.3000	0.2734
G8	0.2650	0.1990	H8	0.2700	0.2082	I8	0.2750	0.2174	J8	0.2800	0.2266	K8	0.2850	0.2358	L8	0.2900	0.2450	M8	0.2950	0.2542
	0.2650	0.2090		0.2700	0.2182		0.2750	0.2274		0.2800	0.2366		0.2850	0.2458		0.2900	0.2550		0.2950	0.2642
	0.2700	0.2182		0.2750	0.2274		0.2800	0.2366		0.2850	0.2458		0.2900	0.2550		0.2950	0.2642		0.3000	0.2734
	0.2700	0.2082		0.2750	0.2174		0.2800	0.2266		0.2850	0.2358		0.2900	0.2450		0.2950	0.2542		0.3000	0.2634
G9	0.2650	0.1890	H9	0.2700	0.1982	I9	0.2750	0.2074	J9	0.2800	0.2166	K9	0.2850	0.2258	L9	0.2900	0.2350	M9	0.2950	0.2442
	0.2650	0.1990		0.2700	0.2082		0.2750	0.2174		0.2800	0.2266		0.2850	0.2358		0.2900	0.2450		0.2950	0.2542
	0.2700	0.2082		0.2750	0.2174		0.2800	0.2266		0.2850	0.2358		0.2900	0.2450		0.2950	0.2542		0.3000	0.2634
	0.2700	0.1982		0.2750	0.2074		0.2800	0.2166		0.2850	0.2258		0.2900	0.2350		0.2950	0.2442		0.3000	0.2534

Bin Code of Chromaticity Coordinates

Bin	CIE_x	CIE_y	Bin	CIE_x	CIE_y	Bin	CIE_x	CIE_y	Bin	CIE_x	CIE_y	Bin	CIE_x	CIE_y				
51	0.2507	0.2228	61	0.2575	0.2269	71	0.2585	0.2378	81	0.2653	0.2419	91	0.2692	0.2494				
	0.2536	0.2194		0.2546	0.2303		0.2614	0.2344		0.2624	0.2453		0.2624	0.2453	0.2663	0.2528	0.2663	0.2528
	0.2575	0.2269		0.2585	0.2378		0.2653	0.2419		0.2663	0.2528		0.2692	0.2494	0.2663	0.2528	0.2702	0.2603
	0.2546	0.2303		0.2614	0.2344		0.2624	0.2453		0.2624	0.2453		0.2692	0.2494	0.2692	0.2494	0.2731	0.2569
52	0.2536	0.2194	62	0.2604	0.2235	72	0.2614	0.2344	82	0.2682	0.2385	92	0.2721	0.2460				
	0.2565	0.2160		0.2575	0.2269		0.2643	0.2310		0.2643	0.2310		0.2653	0.2419	0.2653	0.2419	0.2692	0.2494
	0.2604	0.2235		0.2614	0.2344		0.2682	0.2385		0.2682	0.2385		0.2692	0.2494	0.2692	0.2494	0.2731	0.2569
	0.2575	0.2269		0.2643	0.2310		0.2653	0.2419		0.2653	0.2419		0.2721	0.2460	0.2721	0.2460	0.2760	0.2535
53	0.2565	0.2160	63	0.2633	0.2201	73	0.2643	0.2310	83	0.2711	0.2351	93	0.2750	0.2426				
	0.2594	0.2126		0.2604	0.2235		0.2672	0.2276		0.2672	0.2276		0.2711	0.2351	0.2682	0.2385	0.2721	0.2460
	0.2633	0.2201		0.2643	0.2310		0.2711	0.2351		0.2711	0.2351		0.2721	0.2460	0.2721	0.2460	0.2760	0.2535
	0.2604	0.2235		0.2672	0.2276		0.2682	0.2385		0.2682	0.2385		0.2750	0.2426	0.2750	0.2426	0.2789	0.2501
54	0.2594	0.2126	64	0.2662	0.2167	74	0.2672	0.2276	84	0.2740	0.2317	94	0.2779	0.2392				
	0.2623	0.2092		0.2633	0.2201		0.2701	0.2242		0.2701	0.2242		0.2711	0.2351	0.2711	0.2351	0.2750	0.2426
	0.2662	0.2167		0.2672	0.2276		0.2740	0.2317		0.2740	0.2317		0.2750	0.2426	0.2750	0.2426	0.2789	0.2501
	0.2633	0.2201		0.2701	0.2242		0.2711	0.2351		0.2711	0.2351		0.2779	0.2392	0.2779	0.2392	0.2818	0.2467
55	0.2623	0.2092	65	0.2691	0.2133	75	0.2701	0.2242	85	0.2769	0.2283	95	0.2808	0.2358				
	0.2652	0.2058		0.2662	0.2167		0.2730	0.2208		0.2730	0.2208		0.2740	0.2317	0.2740	0.2317	0.2779	0.2392
	0.2691	0.2133		0.2701	0.2242		0.2769	0.2283		0.2769	0.2283		0.2779	0.2392	0.2779	0.2392	0.2818	0.2467
	0.2662	0.2167		0.2730	0.2208		0.2740	0.2317		0.2740	0.2317		0.2808	0.2358	0.2808	0.2358	0.2847	0.2433
56	0.2652	0.2058	66	0.2720	0.2099	76	0.2730	0.2208	86	0.2798	0.2249	96	0.2837	0.2324				
	0.2681	0.2024		0.2691	0.2133		0.2759	0.2174		0.2759	0.2174		0.2769	0.2283	0.2769	0.2283	0.2808	0.2358
	0.2720	0.2099		0.2730	0.2208		0.2798	0.2249		0.2798	0.2249		0.2808	0.2358	0.2808	0.2358	0.2847	0.2433
	0.2691	0.2133		0.2759	0.2174		0.2769	0.2283		0.2769	0.2283		0.2837	0.2324	0.2837	0.2324	0.2876	0.2399
57	0.2681	0.2024	67	0.2749	0.2065	77	0.2759	0.2174	87	0.2827	0.2215	97	0.2866	0.2290				
	0.2710	0.1990		0.2720	0.2099		0.2788	0.2140		0.2788	0.2140		0.2798	0.2249	0.2798	0.2249	0.2837	0.2324
	0.2749	0.2065		0.2759	0.2174		0.2827	0.2215		0.2827	0.2215		0.2837	0.2324	0.2837	0.2324	0.2876	0.2399
	0.2720	0.2099		0.2788	0.2140		0.2798	0.2249		0.2798	0.2249		0.2866	0.2290	0.2866	0.2290	0.2905	0.2365
58	0.2710	0.1990	68	0.2778	0.2031	78	0.2788	0.2140	88	0.2856	0.2181	98	0.2895	0.2256				
	0.2739	0.1956		0.2749	0.2065		0.2817	0.2106		0.2817	0.2106		0.2827	0.2215	0.2827	0.2215	0.2866	0.2290
	0.2778	0.2031		0.2788	0.2140		0.2856	0.2181		0.2856	0.2181		0.2866	0.2290	0.2866	0.2290	0.2905	0.2365
	0.2749	0.2065		0.2817	0.2106		0.2827	0.2215		0.2827	0.2215		0.2895	0.2256	0.2895	0.2256	0.2934	0.2331

Luminous Flux

Unit : lm

Bin	Min.	Max.
L11	11.00	12.00
L12	12.00	13.00
L13	13.00	14.00
L14	14.00	15.00
L15	15.00	16.00
L16	16.00	17.00
L17	17.00	18.00
L18	18.00	19.00
L19	19.00	20.00
L20	20.00	21.00
L21	21.00	22.00

Note: Tolerance of Luminous Intensity: ±7%.

V_F (Forward Voltage Spec. Setup)

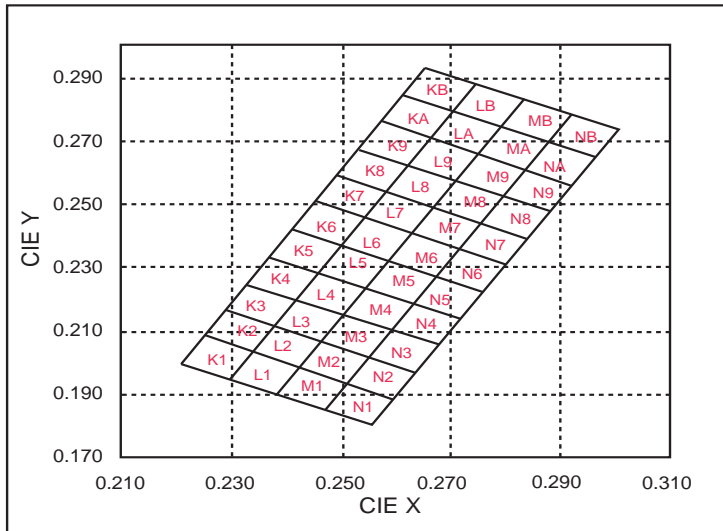
Unit : V

Groups						Bin	Min.	Max.
					Y	4-2-3	2.7	2.8
						5-1-3	2.8	2.9
						5-2-3	2.9	3.0
						6-1-3	3.0	3.1
						6-2-3	3.1	3.2
						7-1-3	3.2	3.3
					7-2-3	3.3	3.4	

TECHNICAL DATA

SMD LED (62 SERIES) BRIGHTNESS BIN SELECTION

Chromaticity Diagram



Bin Code of Chromaticity Coordinates

Bin	CIE_x	CIE_y	Bin	CIE_x	CIE_y	Bin	CIE_x	CIE_y	Bin	CIE_x	CIE_y	Bin	CIE_x	CIE_y	Bin	CIE_x	CIE_y	Bin	CIE_x	CIE_y				
K1	0.2247	0.2082	K2	0.2288	0.2166	K3	0.2329	0.2250	K4	0.2410	0.2419	K5	0.2451	0.2504	K6	0.2492	0.2588	K7	0.2492	0.2588				
	0.2206	0.1997		0.2247	0.2082		0.2288	0.2166		0.2416	0.2202		0.2370	0.2335		0.2410	0.2419		0.2451	0.2504	0.2451	0.2504		
	0.2293	0.1949		0.2334	0.2034		0.2375	0.2118		0.2375	0.2118		0.2329	0.2250		0.2457	0.2288		0.2497	0.2371	0.2538	0.2456	0.2579	0.2540
	0.2334	0.2034		0.2375	0.2118		0.2416	0.2202		0.2370	0.2335		0.2370	0.2335		0.2497	0.2371		0.2538	0.2456	0.2579	0.2540		
L1	0.2334	0.2034	L2	0.2375	0.2118	L3	0.2416	0.2202	L4	0.2544	0.2239	L5	0.2497	0.2371	L6	0.2538	0.2456	L7	0.2579	0.2540				
	0.2293	0.1949		0.2334	0.2034		0.2375	0.2118		0.2503	0.2154		0.2457	0.2287		0.2497	0.2371		0.2538	0.2456	0.2579	0.2540		
	0.2380	0.1901		0.2421	0.1986		0.2462	0.2070		0.2416	0.2202		0.2416	0.2202		0.2544	0.2239		0.2584	0.2323	0.2625	0.2408	0.2666	0.2492
	0.2421	0.1986		0.2462	0.2070		0.2503	0.2154		0.2457	0.2287		0.2631	0.2191		0.2584	0.2323		0.2625	0.2408	0.2666	0.2492		
M1	0.2421	0.1986	M2	0.2462	0.2070	M3	0.2503	0.2154	M4	0.2631	0.2191	M5	0.2671	0.2275	M6	0.2712	0.2360	M7	0.2753	0.2444				
	0.2380	0.1901		0.2421	0.1986		0.2462	0.2070		0.2590	0.2106		0.2590	0.2106		0.2671	0.2275		0.2712	0.2360	0.2753	0.2444		
	0.2467	0.1853		0.2508	0.1938		0.2549	0.2022		0.2549	0.2022		0.2503	0.2154		0.2631	0.2191		0.2671	0.2275	0.2712	0.2360	0.2753	0.2444
	0.2508	0.1938		0.2549	0.2022		0.2590	0.2106		0.2590	0.2106		0.2718	0.2143		0.2671	0.2275		0.2712	0.2360	0.2753	0.2444		
N1	0.2467	0.1853	N2	0.2508	0.1938	N3	0.2549	0.2022	N4	0.2677	0.2058	N5	0.2631	0.2191	N6	0.2671	0.2275	N7	0.2712	0.2360				
	0.2554	0.1805		0.2595	0.1890		0.2636	0.1974		0.2590	0.2106		0.2590	0.2106		0.2677	0.2058		0.2631	0.2191	0.2671	0.2275	0.2712	0.2360
	0.2595	0.1890		0.2636	0.1974		0.2677	0.2058		0.2631	0.2191		0.2631	0.2191		0.2758	0.2227		0.2799	0.2312	0.2840	0.2396		

Bin	CIE_x	CIE_y	Bin	CIE_x	CIE_y	Bin	CIE_x	CIE_y	Bin	CIE_x	CIE_y		
K8	0.2533	0.2672	K9	0.2574	0.2757	KA	0.2615	0.2842	KB	0.2656	0.2927		
	0.2492	0.2588		0.2533	0.2672		0.2574	0.2757		0.2615	0.2842	0.2656	0.2927
	0.2579	0.2540		0.2620	0.2624		0.2661	0.2709		0.2702	0.2794	0.2743	0.2879
	0.2620	0.2624		0.2661	0.2709		0.2702	0.2794		0.2743	0.2879		
L8	0.2620	0.2624	L9	0.2661	0.2709	LA	0.2702	0.2794	LB	0.2743	0.2879		
	0.2579	0.2540		0.2620	0.2624		0.2661	0.2709		0.2702	0.2794	0.2743	0.2879
	0.2666	0.2492		0.2707	0.2576		0.2748	0.2661		0.2789	0.2746	0.2830	0.2831
	0.2707	0.2576		0.2748	0.2661		0.2789	0.2746		0.2830	0.2831		
M8	0.2707	0.2576	M9	0.2748	0.2661	MA	0.2789	0.2746	MB	0.2830	0.2831		
	0.2666	0.2492		0.2707	0.2576		0.2748	0.2661		0.2789	0.2746	0.2830	0.2831
	0.2753	0.2444		0.2794	0.2528		0.2835	0.2613		0.2876	0.2698	0.2917	0.2783
	0.2794	0.2528		0.2835	0.2613		0.2876	0.2698		0.2917	0.2783		
N8	0.2794	0.2528	N9	0.2835	0.2613	NA	0.2876	0.2698	NB	0.2917	0.2783		
	0.2753	0.2444		0.2794	0.2528		0.2835	0.2613		0.2876	0.2698	0.2917	0.2783
	0.2840	0.2396		0.2881	0.2480		0.2922	0.2565		0.2963	0.2650	0.3004	0.2735
	0.2881	0.2480		0.2922	0.2565		0.2963	0.2650					

Luminous Flux

Unit : lm

1 lm / Bin									2 lm / Bin					
Bin	CIE_x	CIE_y	Bin	CIE_x	CIE_y	Bin	CIE_x	CIE_y	Bin	CIE_x	CIE_y	Bin	CIE_x	CIE_y
18	18	19	18	18	19	18	18	19	T18	18	20	T50	50	52
19	19	20	19	19	20	19	19	20	T20	20	22	T52	52	54
20	20	21	20	20	21	20	20	21	T22	22	24	T54	54	56
21	21	22	21	21	22	21	21	22	T24	24	26	T56	56	58
22	22	23	22	22	23	22	22	23	T26	26	28	T58	58	60
23	23	24	23	23	24	23	23	24	T28	28	30	T60	60	62
24	24	25	24	24	25	24	24	25	T30	30	32	T62	62	64
25	25	26	25	25	26	25	25	26	T32	32	34	T64	64	66
26	26	27	26	26	27	26	26	27	T34	34	36	T66	66	68
27	27	28	27	27	28	27	27	28	T36	36	38	T68	68	70
28	28	29	28	28	29	28	28	29	T38	38	40	T70	70	72
29	29	30	29	29	30	29	29	30	T40	40	42	T72	72	74
30	30	31	30	30	31	30	30	31	T42	42	44	T74	74	76
31	31	32	31	31	32	31	31	32	T44	44	46	T76	76	78
32	32	33	32	32	33	32	32	33	T46	46	48	T78	78	80
33	33	34	33	33	34	33	33	34	T48	48	50	T80	80	82

Note: Tolerance of Luminous Intensity: $\pm 7\%$.

V_F (Forward Voltage Spec. Setup)

Unit : V

Single Chip			Two Chips					
Bin	Min.	Max.	Parallel			Serial		
			Bin	Min.	Max.	Bin	Min.	Max.
A	2.9	3.0	PA	2.9	3.0	S8	5.8	6.0
B	3.0	3.1	PB	3.0	3.1	S9	6.0	6.2
C	3.1	3.2	PC	3.1	3.2	SA	6.2	6.4
D	3.2	3.3	PD	3.2	3.3	SB	6.4	6.6
E	3.3	3.4	PE	3.3	3.4	SC	6.6	6.8
F	3.4	3.5	PF	3.4	3.5	SD	6.8	7.0
G	3.5	3.6	PG	3.5	3.6	SE	7.0	7.2

Note: Tolerance of Forward Voltage: $\pm 0.05V$.

TECHNICAL DATA

LED LAMPS BRIGHTNESS BIN SELECTION

Brightness Bin Selection

Unit : mcd

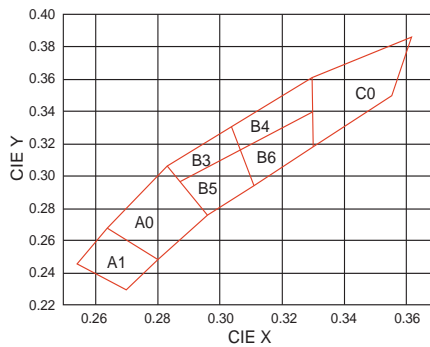
Item	Intensity Iv (mcd)	
Bin Code	Min.	Max.
a7	6.0	8.0
a6	8.0	10.0
a5	10.0	12.0
a4	12.0	15.0
a3	15.0	18.0
a2	18.0	22.0
a1	22.0	28.0
0	28.0	35.0
1	35.0	42.0
2	42.0	50.0
3	50.0	60.0
4	60.0	70.0
5	70.0	85.0
6	85.0	100
7	100	120
8	120	140
9	140	170
A	170	200
B	200	240
C	240	285
D	285	360
E	360	450
F	450	565
G	565	715
H	715	900
J	900	1,125
K	1,125	1,425
L	1,425	1,800
M	1,800	2,250
N	2,250	2,850
P	2,850	3,600
Q	3,600	4,500
R	4,500	5,650
S	5,650	7,150
T	7,150	9,000
U	9,000	11,250
V	11,250	14,250
W	14,250	18,000
X	18,000	22,500
Y	22,500	28,500
Z	28,500	36,000

Cool White / CIE Chromaticity Diagram

(I_f=20mA / T_a=25°C)

Color Ranks	CIE				
A1	X	0.255	0.264	0.280	0.270
	Y	0.245	0.267	0.248	0.230
A0	X	0.264	0.283	0.296	0.280
	Y	0.267	0.305	0.267	0.248
B3	X	0.283	0.304	0.307	0.287
	Y	0.305	0.330	0.315	0.295
B4	X	0.304	0.330	0.330	0.307
	Y	0.330	0.360	0.339	0.315
B5	X	0.287	0.307	0.311	0.296
	Y	0.295	0.315	0.294	0.276
B6	X	0.307	0.330	0.330	0.311
	Y	0.315	0.339	0.318	0.294
C0	X	0.330	0.361	0.355	0.330
	Y	0.360	0.385	0.350	0.318

Note: Measurement uncertainty of the color coordinates ±0.01.

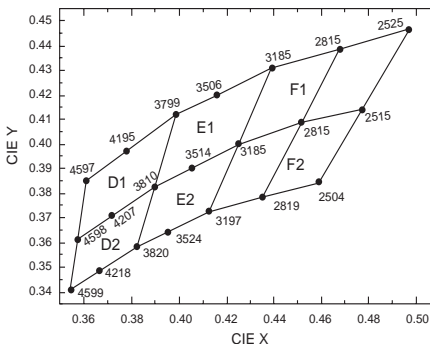


Warm White / CIE Chromaticity Diagram

(I_f=20mA / T_a=25°C)

Color Ranks	CIE				
D1	X	0.357	0.361	0.398	0.389
	Y	0.361	0.385	0.411	0.382
D2	X	0.354	0.357	0.389	0.382
	Y	0.340	0.361	0.382	0.358
E1	X	0.389	0.398	0.439	0.425
	Y	0.382	0.411	0.431	0.400
E2	X	0.382	0.389	0.425	0.412
	Y	0.358	0.382	0.400	0.372
F1	X	0.425	0.439	0.497	0.477
	Y	0.400	0.431	0.466	0.413
F2	X	0.412	0.425	0.477	0.458
	Y	0.372	0.400	0.413	0.383

Note: Measurement uncertainty of the color coordinates ±0.01.

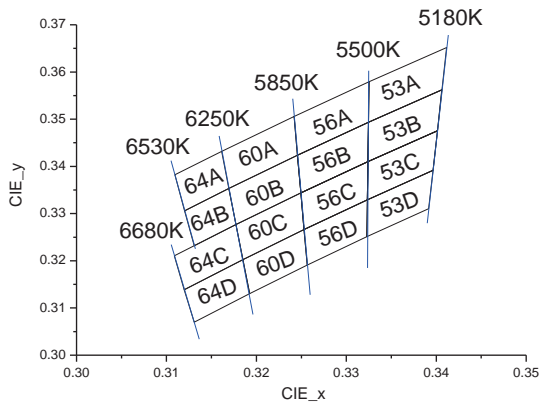


DIGITAL DISPLAY BRIGHTNESS BIN SELECTION

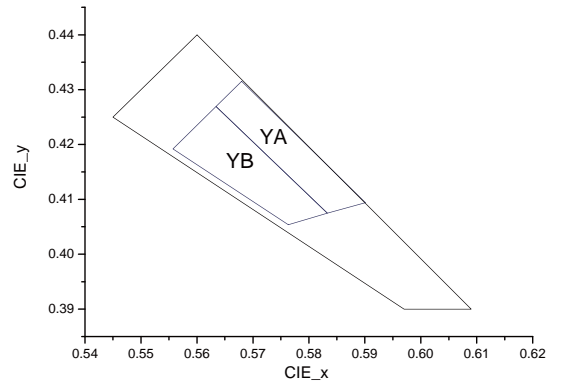
Bin Code	Brightness Range (μcd)	
	Min.	Max.
C	70	140
D	110	220
E	180	360
F	280	560
G	450	900
H	750	1200
J	1050	1680
K	1400	2300
L	2000	3200
M	2800	4500
N	4000	6400
P	5600	8900
Q	7800	12500
R	11000	17600
S	15000	24000
T	21000	34000
U	30000	48000
V	42000	67000
W	59000	94000
X	83000	133000
Y	116000	186000
Z	158800	254000

AUTOMOTIVE BIN SELECTION

Exterior White / Cool-White Bin Structure



Amber Bin Structure



Cool-White Bin Coordinates

Bin	CIE X	CIE Y	Bin	CIE X	CIE Y	Bin	CIE X	CIE Y
64A	0.3109	0.3382	60C	0.3177	0.3277	53A	0.3325	0.3579
	0.3161	0.3432		0.3249	0.3344		0.3412	0.3652
	0.3169	0.3353		0.3253	0.3266		0.3406	0.3562
	0.3120	0.3306		0.3185	0.3203		0.3325	0.3493
Reference Range: 6240~6530K			Reference Range: 5850~6240K			Reference Range: 5180~5500K		
64B	0.3120	0.3306	60D	0.3185	0.3203	53B	0.3325	0.3493
	0.3169	0.3353		0.3253	0.3266		0.3406	0.3562
	0.3177	0.3277		0.3256	0.3191		0.3401	0.3476
	0.3131	0.3232		0.3192	0.3131		0.3324	0.3410
Reference Range: 6240~6530K			Reference Range: 5850~6240K			Reference Range: 5180~5500K		
64C	0.3109	0.3211	56A	0.3242	0.3506	53C	0.3324	0.3410
	0.3177	0.3277		0.3325	0.3579		0.3401	0.3476
	0.3185	0.3203		0.3325	0.3493		0.3396	0.3392
	0.3120	0.3139		0.3246	0.3424		0.3323	0.3329
Reference Range: 6240~6680K			Reference Range: 5500~5850K			Reference Range: 5180~5500K		
64D	0.3120	0.3139	56B	0.3246	0.3424	53D	0.3323	0.3329
	0.3185	0.3203		0.3325	0.3493		0.3396	0.3392
	0.3192	0.3131		0.3324	0.3410		0.3392	0.3310
	0.3131	0.3070		0.3249	0.3344		0.3323	0.3251
Reference Range: 6240~6680K			Reference Range: 5500~5850K			Reference Range: 5180~5500K		
60A	0.3161	0.3432	56C	0.3249	0.3344			
	0.3242	0.3506		0.3324	0.3410			
	0.3246	0.3424		0.3323	0.3329			
	0.3169	0.3353		0.3253	0.3266			
Reference Range: 5850~6240K			Reference Range: 5500~5850K					
60B	0.3169	0.3353	56D	0.3253	0.3266			
	0.3246	0.3424		0.3323	0.3329			
	0.3249	0.3344		0.3323	0.3251			
	0.3177	0.3277		0.3256	0.3191			
Reference Range: 5850~6240K			Reference Range: 5500~5850K					

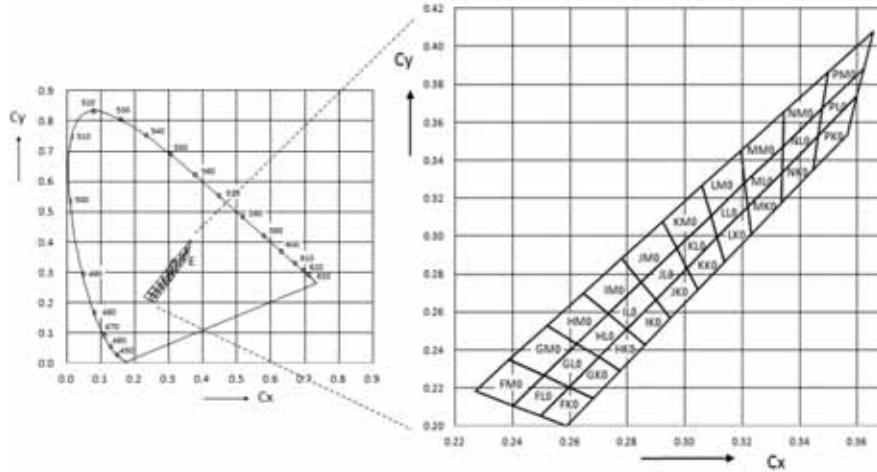
Amber Bin Coordinates

Bin	CIE X	CIE Y
YA	0.5680	0.4315
	0.5634	0.4269
	0.5833	0.4075
	0.5901	0.4094
YB	0.5763	0.4054
	0.5833	0.4075
	0.5634	0.4269
	0.5557	0.4192

TECHNICAL DATA

AUTOMOTIVE BIN SELECTION

Interior / White



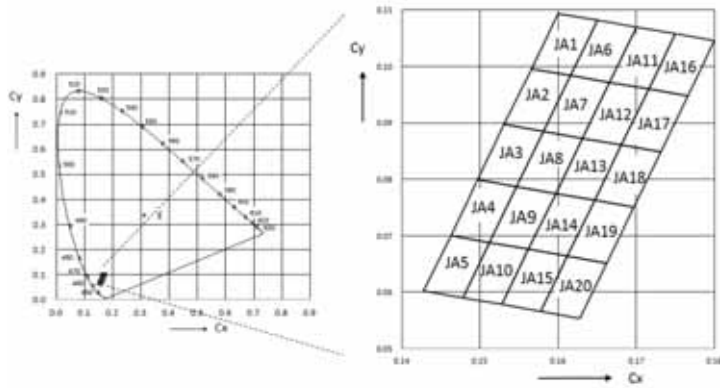
Bin Range of Chromaticity Coordinates Specifications

Bin Code	CIE X	CIE Y	Bin Code	CIE X	CIE Y	Bin Code	CIE X	CIE Y	Bin Code	CIE X	CIE Y
FK0	0.2589	0.2000	NK0	0.3339	0.3336	LLO	0.3113	0.2992	JM0	0.2848	0.2757
	0.2498	0.2053		0.3335	0.3172		0.3090	0.3108		0.2780	0.2883
	0.2597	0.2204		0.3447	0.3347		0.3209	0.3281		0.2922	0.3077
	0.2682	0.2146		0.3465	0.3530		0.3219	0.3154		0.2971	0.2935
GK0	0.2682	0.2146	PK0	0.3465	0.3530	MLO	0.3341	0.3472	KM0	0.2971	0.2935
	0.2597	0.2204		0.3447	0.3347		0.3209	0.3281		0.2922	0.3077
	0.2700	0.2361		0.3567	0.3535		0.3219	0.3154		0.3060	0.3266
	0.2775	0.2292		0.3599	0.3735		0.3339	0.3336		0.3090	0.3108
HK0	0.2775	0.2292	FLO	0.2498	0.2053	NLO	0.3341	0.3472	LM0	0.3090	0.3108
	0.2700	0.2361		0.2402	0.2108		0.3339	0.3336		0.3060	0.3266
	0.2797	0.2509		0.2509	0.2264		0.3465	0.3530		0.3196	0.3451
	0.2861	0.2427		0.2597	0.2204		0.3479	0.3673		0.3209	0.3281
IK0	0.2861	0.2427	GLO	0.2597	0.2204	PLO	0.3479	0.3673	MM0	0.3345	0.3654
	0.2797	0.2509		0.2509	0.2264		0.3465	0.3530		0.3196	0.3451
	0.2898	0.2664		0.2624	0.2431		0.3599	0.3735		0.3209	0.3281
	0.2950	0.2568		0.2700	0.2361		0.3623	0.3882		0.3341	0.3472
JK0	0.2950	0.2568	HLO	0.2700	0.2361	FM0	0.2388	0.2348	NM0	0.3345	0.3654
	0.2898	0.2664		0.2624	0.2431		0.2269	0.2185		0.3341	0.3472
	0.3007	0.2830		0.2733	0.2590		0.2402	0.2108		0.3479	0.3673
	0.3045	0.2717		0.2797	0.2509		0.2509	0.2264		0.3498	0.3863
KK0	0.3045	0.2717	ILO	0.2797	0.2509	GM0	0.2509	0.2264	PM0	0.3498	0.3863
	0.3007	0.2830		0.2733	0.2590		0.2388	0.2348		0.3479	0.3673
	0.3113	0.2992		0.2848	0.2757		0.2520	0.2527		0.3623	0.3882
	0.3138	0.2862		0.2898	0.2664		0.2624	0.2431		0.3655	0.4079
LK0	0.3138	0.2862	JLO	0.2898	0.2664	HMO	0.2624	0.2431			
	0.3113	0.2992		0.2848	0.2757		0.2530	0.2527			
	0.3219	0.3154		0.2971	0.2935		0.2646	0.2700			
	0.3231	0.3008		0.3007	0.2830		0.2733	0.2590			
MK0	0.3339	0.3336	KLO	0.3007	0.2830	IMO	0.2733	0.2590			
	0.3219	0.3154		0.2971	0.2935		0.2646	0.2700			
	0.3231	0.3008		0.3090	0.3108		0.2780	0.2883			
	0.3335	0.3172		0.3113	0.2992		0.2848	0.2757			

Notes: Tolerance of Chromaticity Coordinates: ±0.01

AUTOMOTIVE BIN SELECTION

Interior / Sky Blue

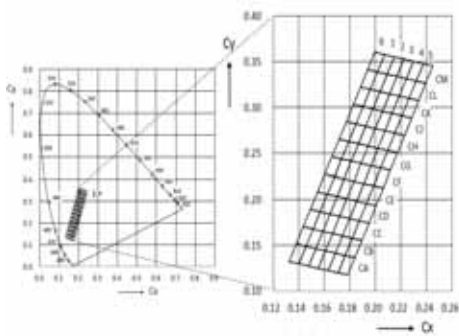


Bin Range of Chromaticity Coordinates Specifications

Bin Code	CIE X	CIE Y	Bin Code	CIE X	CIE Y	Bin Code	CIE X	CIE Y
JA1	0.1600	0.1094	JA9	0.1547	0.0787	JA17	0.1716	0.0960
	0.1650	0.1082		0.1597	0.0775		0.1766	0.0948
	0.1616	0.0984		0.1562	0.0676		0.1731	0.0849
	0.1566	0.0996		0.1512	0.0688		0.1681	0.0861
JA2	0.1566	0.0996	JA10	0.1512	0.0688	JA18	0.1681	0.0861
	0.1616	0.0984		0.1562	0.0676		0.1731	0.0849
	0.1581	0.0885		0.1528	0.0578		0.1697	0.0751
	0.1531	0.0897		0.1478	0.0590		0.1647	0.0763
JA3	0.1531	0.0897	JA11	0.1700	0.1070	JA19	0.1647	0.0763
	0.1581	0.0885		0.1750	0.1058		0.1697	0.0751
	0.1547	0.0787		0.1716	0.0960		0.1662	0.0652
	0.1497	0.0799		0.1666	0.0972		0.1612	0.0664
JA4	0.1497	0.0799	JA12	0.1666	0.0972	JA20	0.1612	0.0664
	0.1547	0.0787		0.1716	0.0960		0.1662	0.0652
	0.1512	0.0688		0.1681	0.0861		0.1628	0.0554
	0.1463	0.0700		0.1631	0.0873		0.1578	0.0566
JA5	0.1463	0.0700	JA13	0.1631	0.0873			
	0.1512	0.0688		0.1681	0.0861			
	0.1478	0.0590		0.1647	0.0763			
	0.1428	0.0602		0.1597	0.0775			
JA6	0.1650	0.1082	JA14	0.1597	0.0775			
	0.1700	0.1070		0.1647	0.0763			
	0.1666	0.0972		0.1612	0.0664			
	0.1616	0.0984		0.1562	0.0676			
JA7	0.1616	0.0984	JA15	0.1562	0.0676			
	0.1666	0.0972		0.1612	0.0664			
	0.1631	0.0873		0.1578	0.0566			
	0.1581	0.0885		0.1528	0.0578			
JA8	0.1581	0.0885	JA16	0.1750	0.1058			
	0.1631	0.0873		0.1800	0.1046			
	0.1597	0.0775		0.1766	0.0948			
	0.1547	0.0787		0.1716	0.0960			

AUTOMOTIVE BIN SELECTION

Interior / Ice Blue



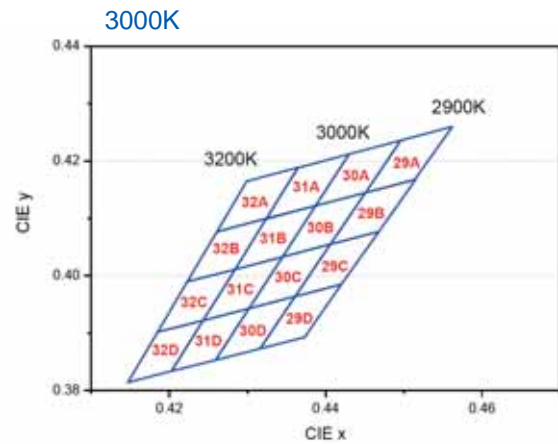
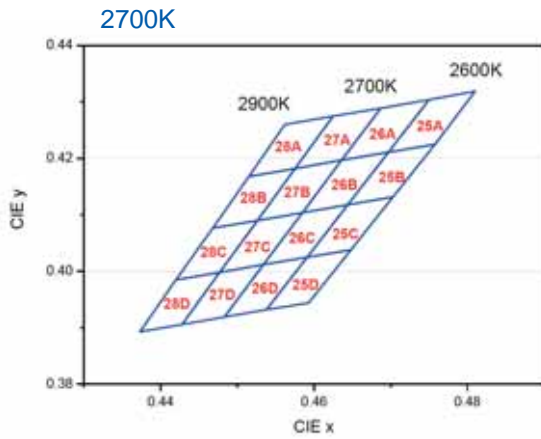
Bin Range of Chromaticity Coordinates Specifications

Bin Code	CIE X	CIE Y	Bin Code	CIE X	CIE Y
CM0	0.1940	0.3415	CL1	0.1960	0.3200
	0.1996	0.3605		0.2016	0.3390
	0.2072	0.3580		0.2092	0.3366
	0.2016	0.3390		0.2036	0.3176
CM1	0.2016	0.3390	CL2	0.2036	0.3176
	0.2072	0.3580		0.2092	0.3366
	0.2148	0.3556		0.2168	0.3341
	0.2092	0.3366		0.2112	0.3151
CM2	0.2092	0.3366	CL3	0.2112	0.3151
	0.2148	0.3556		0.2168	0.3341
	0.2224	0.3531		0.2244	0.3316
	0.2168	0.3341		0.2188	0.3126
CM3	0.2168	0.3341	CL4	0.2188	0.3126
	0.2224	0.3531		0.2244	0.3316
	0.2299	0.3506		0.2319	0.3291
	0.2244	0.3316		0.2264	0.3101
CM4	0.2244	0.3316	CL5	0.2264	0.3101
	0.2299	0.3506		0.2319	0.3291
	0.2375	0.3481		0.2395	0.3267
	0.2319	0.3291		0.2340	0.3077
CM5	0.2319	0.3291	CK0	0.1828	0.3035
	0.2375	0.3481		0.1884	0.3225
	0.2451	0.3457		0.1960	0.3200
	0.2395	0.3267		0.1904	0.3010
CL0	0.1884	0.3225	CK1	0.1904	0.3010
	0.1940	0.3415		0.1960	0.3200
	0.2016	0.3390		0.2036	0.3176
	0.1960	0.3200		0.1980	0.2986

Bin Code	CIE X	CIE Y	Bin Code	CIE X	CIE Y
CK2	0.1980	0.2986	CH1	0.1792	0.2630
	0.2036	0.3176		0.1848	0.2820
	0.2112	0.3151		0.1924	0.2796
	0.2056	0.2961		0.1869	0.2606
CK3	0.2056	0.2961	CH2	0.1869	0.2606
	0.2112	0.3151		0.1924	0.2796
	0.2188	0.3126		0.2000	0.2771
	0.2132	0.2936		0.1945	0.2581
CK4	0.2132	0.2936	CH3	0.1945	0.2581
	0.2188	0.3126		0.2000	0.2771
	0.2264	0.3101		0.2077	0.2746
	0.2208	0.2911		0.2021	0.2556
CK5	0.2208	0.2911	CH4	0.2021	0.2556
	0.2264	0.3101		0.2077	0.2746
	0.2340	0.3077		0.2153	0.2721
	0.2284	0.2887		0.2097	0.2531
CJ0	0.1772	0.2845	CH5	0.2097	0.2531
	0.1828	0.3035		0.2153	0.2721
	0.1904	0.3010		0.2229	0.2697
	0.1848	0.2820		0.2173	0.2507
CJ1	0.1848	0.2820	CG0	0.1660	0.2465
	0.1904	0.3010		0.1716	0.2655
	0.1980	0.2986		0.1792	0.2630
	0.1924	0.2796		0.1736	0.2440
CJ2	0.1924	0.2796	CG1	0.1736	0.2440
	0.1980	0.2986		0.1792	0.2630
	0.2056	0.2961		0.1869	0.2606
	0.2000	0.2771		0.1813	0.2416
CJ3	0.2000	0.2771	CG2	0.1813	0.2416
	0.2056	0.2961		0.1869	0.2606
	0.2132	0.2936		0.1945	0.2581
	0.2077	0.2746		0.1889	0.2391
CJ4	0.2077	0.2746	CG3	0.1889	0.2391
	0.2132	0.2936		0.1945	0.2581
	0.2208	0.2911		0.2021	0.2556
	0.2153	0.2721		0.1965	0.2366
CJ5	0.2153	0.2721	CG4	0.1965	0.2366
	0.2208	0.2911		0.2021	0.2556
	0.2284	0.2887		0.2097	0.2531
	0.2229	0.2697		0.2043	0.2341
CH0	0.1716	0.2655	CG5	0.2043	0.2341
	0.1772	0.2845		0.2097	0.2531
	0.1848	0.2820		0.2173	0.2507
	0.1792	0.2630		0.2118	0.2317

AUTOMOTIVE BIN SELECTION

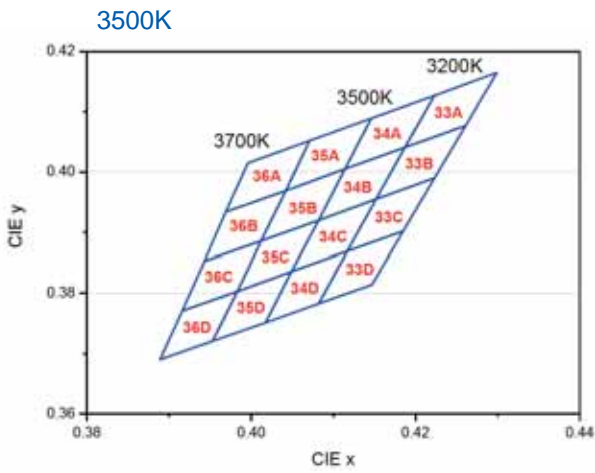
Interior / 5630/2835



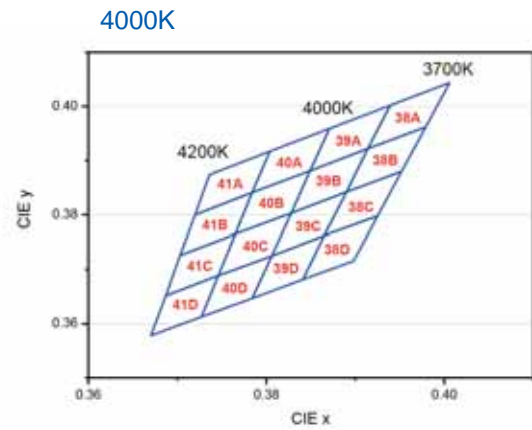
Bin Range of Chromaticity Coordinates Specifications

CCT	Bin Code	CIE X	CIE Y	Bin Code	CIE X	CIE Y
2700K	25A	0.4750	0.4304	25B	0.4697	0.4211
		0.4697	0.4211		0.4644	0.4118
		0.4758	0.4225		0.4703	0.4132
		0.4810	0.4319		0.4758	0.4225
	25C	0.4644	0.4118	25D	0.4591	0.4025
		0.4591	0.4025		0.4538	0.3932
		0.4648	0.4038		0.4593	0.3944
		0.4703	0.4132		0.4648	0.4038
	26A	0.4687	0.4289	26B	0.4636	0.4197
		0.4636	0.4197		0.4585	0.4104
		0.4697	0.4211		0.4644	0.4118
		0.4750	0.4304		0.4697	0.4211
	26C	0.4585	0.4104	26D	0.4534	0.4012
		0.4534	0.4012		0.4483	0.3919
		0.4591	0.4025		0.4538	0.3932
		0.4644	0.4118		0.4591	0.4025
	27A	0.4625	0.4275	27B	0.4575	0.4182
		0.4575	0.4182		0.4526	0.4090
		0.4636	0.4197		0.4585	0.4104
		0.4687	0.4289		0.4636	0.4197
	27C	0.4526	0.4090	27D	0.4477	0.3998
		0.4477	0.3998		0.4428	0.3906
		0.4534	0.4012		0.4483	0.3919
		0.4585	0.4104		0.4534	0.4012
	28A	0.4562	0.4260	28B	0.4515	0.4168
		0.4515	0.4168		0.4468	0.4077
		0.4575	0.4182		0.4526	0.4090
		0.4625	0.4275		0.4575	0.4182
28C	0.4468	0.4077	28D	0.4420	0.3985	
	0.4420	0.3985		0.4373	0.3893	
	0.4477	0.3998		0.4428	0.3906	
	0.4526	0.4090		0.4477	0.3998	

CCT	Bin Code	CIE X	CIE Y	Bin Code	CIE X	CIE Y
3000K	29A	0.4496	0.4236	29B	0.4451	0.4145
		0.4451	0.4145		0.4406	0.4055
		0.4514	0.4168		0.4468	0.4077
		0.4562	0.4260		0.4515	0.4168
	29C	0.4406	0.4055	29D	0.4361	0.3964
		0.4361	0.3964		0.4316	0.3873
		0.4420	0.3985		0.4373	0.3893
		0.4468	0.4077		0.4420	0.3985
	30A	0.4430	0.4212	30B	0.4387	0.4122
		0.4387	0.4122		0.4345	0.4033
		0.4451	0.4145		0.4406	0.4055
		0.4496	0.4236		0.4451	0.4145
	30C	0.4345	0.4033	30D	0.4302	0.3943
		0.4302	0.3943		0.4259	0.3853
		0.4361	0.3964		0.4316	0.3873
		0.4406	0.4055		0.4361	0.3964
	31A	0.4364	0.4188	31B	0.4324	0.4100
		0.4324	0.4099		0.4284	0.4011
		0.4387	0.4122		0.4345	0.4033
		0.4430	0.4212		0.4387	0.4122
	31C	0.4284	0.4011	31D	0.4302	0.3943
		0.4243	0.3922		0.4259	0.3853
		0.4302	0.3943		0.4203	0.3834
		0.4345	0.4033		0.4243	0.3922
	32A	0.4299	0.4165	32B	0.4261	0.4077
		0.4261	0.4077		0.4223	0.3990
		0.4324	0.4100		0.4284	0.4011
		0.4365	0.4189		0.4324	0.4100
32C	0.4223	0.3990	32D	0.4243	0.3922	
	0.4185	0.3902		0.4203	0.3834	
	0.4243	0.3922		0.4147	0.3814	
	0.4284	0.4011		0.4185	0.3902	



Bin Range of Chromaticity Coordinates Specifications



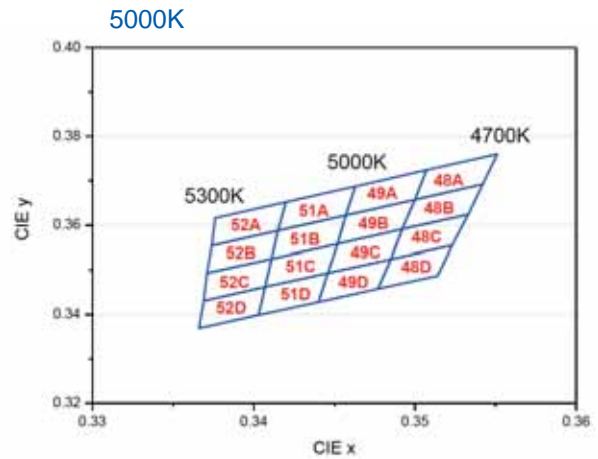
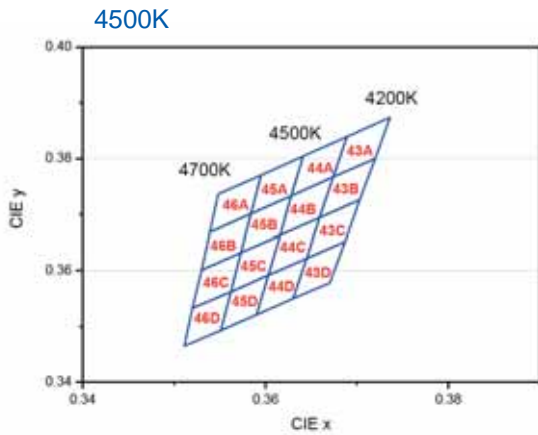
Bin Range of Chromaticity Coordinates Specifications

CCT	Bin Code	CIE X	CIE Y	Bin Code	CIE X	CIE Y
3500K	33A	0.4223	0.4127	33B	0.4187	0.4041
		0.4187	0.4041		0.4152	0.3955
		0.4261	0.4077		0.4223	0.3990
		0.4299	0.4165		0.4261	0.4077
	33C	0.4152	0.3955	33D	0.4117	0.3869
		0.4117	0.3869		0.4082	0.3783
		0.4185	0.3902		0.4147	0.3814
		0.4223	0.3990		0.4185	0.3902
	34A	0.4146	0.4089	34B	0.4114	0.4005
		0.4114	0.4005		0.4082	0.3920
		0.4187	0.4041		0.4152	0.3955
		0.4223	0.4127		0.4187	0.4041
	34C	0.4082	0.3920	34D	0.4049	0.3836
		0.4049	0.3836		0.4017	0.3751
		0.4117	0.3869		0.4082	0.3783
		0.4152	0.3955		0.4117	0.3869
	35A	0.4071	0.4052	35B	0.4042	0.3969
		0.4042	0.3969		0.4012	0.3886
		0.4114	0.4005		0.4082	0.3920
		0.4146	0.4089		0.4114	0.4005
	35C	0.4012	0.3886	35D	0.3983	0.3803
		0.3983	0.3803		0.3953	0.3721
		0.4049	0.3836		0.4017	0.3751
		0.4082	0.3920		0.4049	0.3836
	36A	0.3996	0.4015	36B	0.3969	0.3934
		0.3969	0.3934		0.3943	0.3853
		0.4042	0.3969		0.4012	0.3886
		0.4071	0.4052		0.4042	0.3969
	36C	0.3943	0.3853	36D	0.3916	0.3771
		0.3916	0.3771		0.3889	0.3690
		0.3983	0.3803		0.3953	0.3721
		0.4012	0.3886		0.3983	0.3803

CCT	Bin Code	CIE X	CIE Y	Bin Code	CIE X	CIE Y
4000K	38A	0.3939	0.4002	38B	0.3914	0.3922
		0.3914	0.3922		0.3890	0.3842
		0.3979	0.3962		0.3952	0.3880
		0.4006	0.4044		0.3979	0.3962
	38C	0.3890	0.3842	38D	0.3865	0.3762
		0.3865	0.3762		0.3841	0.3682
		0.3925	0.3798		0.3898	0.3716
		0.3952	0.3880		0.3925	0.3798
	39A	0.3871	0.3959	39B	0.3849	0.3881
		0.3849	0.3881		0.3828	0.3803
		0.3914	0.3922		0.3890	0.3842
		0.3939	0.4002		0.3914	0.3922
	39C	0.3828	0.3803	39D	0.3806	0.3725
		0.3806	0.3725		0.3784	0.3647
		0.3865	0.3762		0.3841	0.3682
		0.3890	0.3842		0.3865	0.3762
	40A	0.3804	0.3917	40B	0.3784	0.3841
		0.3784	0.3841		0.3765	0.3765
		0.3849	0.3881		0.3828	0.3803
		0.3871	0.3959		0.3849	0.3881
	40C	0.3765	0.3765	40D	0.3746	0.3689
		0.3746	0.3689		0.3727	0.3613
		0.3806	0.3725		0.3784	0.3647
		0.3828	0.3803		0.3806	0.3725
41A	0.3736	0.3874	41B	0.3720	0.3800	
	0.3720	0.3800		0.3703	0.3726	
	0.3784	0.3841		0.3765	0.3765	
	0.3804	0.3917		0.3784	0.3841	
41C	0.3703	0.3726	41D	0.3687	0.3652	
	0.3687	0.3652		0.3670	0.3578	
	0.3746	0.3689		0.3727	0.3613	
	0.3765	0.3765		0.3746	0.3689	

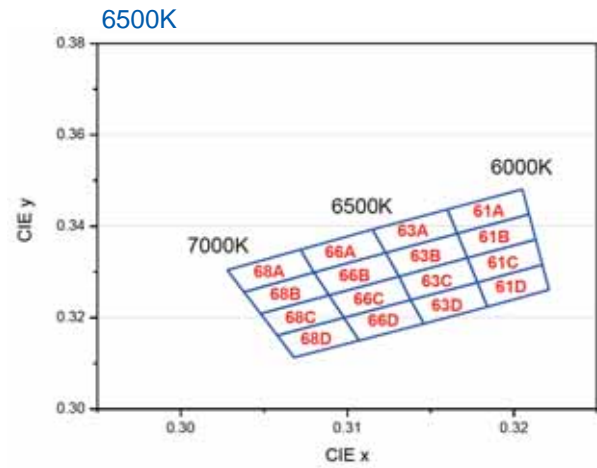
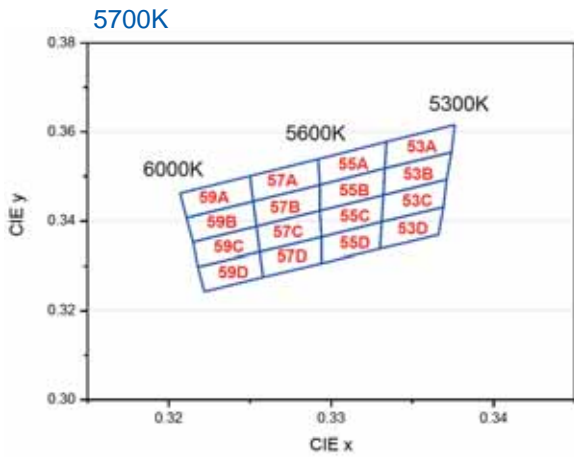
AUTOMOTIVE BIN SELECTION

Interior / 5630/2835



CCT	Bin Code	CIE X	CIE Y	Bin Code	CIE X	CIE Y
4500K	43A	0.3689	0.3839	43B	0.3674	0.3767
		0.3674	0.3767		0.3659	0.3694
		0.3720	0.3800		0.3703	0.3726
		0.3736	0.3874		0.3720	0.3800
	43C	0.3659	0.3694	43D	0.3645	0.3622
		0.3645	0.3622		0.3630	0.3550
		0.3687	0.3652		0.3670	0.3578
		0.3703	0.3726		0.3687	0.3652
	44A	0.3641	0.3804	44B	0.3628	0.3733
		0.3628	0.3733		0.3616	0.3663
		0.3674	0.3767		0.3659	0.3694
		0.3689	0.3839		0.3674	0.3767
	44C	0.3616	0.3663	44D	0.3603	0.3592
		0.3603	0.3592		0.3590	0.3521
		0.3645	0.3622		0.3630	0.3550
		0.3659	0.3694		0.3645	0.3622
	45A	0.3595	0.3770	45B	0.3584	0.3701
		0.3584	0.3701		0.3573	0.3632
		0.3628	0.3733		0.3616	0.3663
		0.3641	0.3804		0.3628	0.3733
	45C	0.3573	0.3632	45D	0.3562	0.3562
		0.3562	0.3562		0.3551	0.3493
		0.3603	0.3592		0.3590	0.3521
		0.3616	0.3663		0.3603	0.3592
	46A	0.3548	0.3736	46B	0.3539	0.3668
		0.3539	0.3668		0.3530	0.3601
		0.3584	0.3701		0.3573	0.3632
		0.3595	0.3770		0.3584	0.3701
	46C	0.3530	0.3601	46D	0.3520	0.3533
		0.3520	0.3533		0.3511	0.3465
		0.3562	0.3562		0.3551	0.3493
		0.3573	0.3632		0.3562	0.3562

CCT	Bin Code	CIE X	CIE Y	Bin Code	CIE X	CIE Y
5000K	48A	0.3507	0.3724	48B	0.3500	0.3657
		0.3500	0.3657		0.3492	0.3591
		0.3542	0.3692		0.3533	0.3624
		0.3551	0.3760		0.3542	0.3692
	48C	0.3492	0.3591	48D	0.3485	0.3524
		0.3485	0.3524		0.3477	0.3458
		0.3523	0.3555		0.3514	0.3487
		0.3533	0.3624		0.3523	0.3555
	49A	0.3463	0.3687	49B	0.3457	0.3622
		0.3457	0.3622		0.3452	0.3558
		0.3500	0.3657		0.3492	0.3591
		0.3507	0.3724		0.3500	0.3657
	49C	0.3452	0.3558	49D	0.3446	0.3493
		0.3446	0.3493		0.3440	0.3428
		0.3485	0.3524		0.3477	0.3458
		0.3492	0.3591		0.3485	0.3524
	51A	0.3420	0.3652	51B	0.3415	0.3588
		0.3415	0.3588		0.3411	0.3525
		0.3457	0.3622		0.3452	0.3558
		0.3463	0.3687		0.3457	0.3622
	51C	0.3411	0.3525	51D	0.3407	0.3462
		0.3407	0.3462		0.3403	0.3399
		0.3446	0.3493		0.3440	0.3428
		0.3452	0.3558		0.3446	0.3493
	52A	0.3376	0.3616	52B	0.3374	0.3554
		0.3374	0.3554		0.3371	0.3493
		0.3415	0.3588		0.3411	0.3525
		0.3420	0.3652		0.3415	0.3588
	52C	0.3371	0.3493	52D	0.3369	0.3431
		0.3369	0.3431		0.3366	0.3369
		0.3407	0.3462		0.3403	0.3399
		0.3411	0.3525		0.3407	0.3462



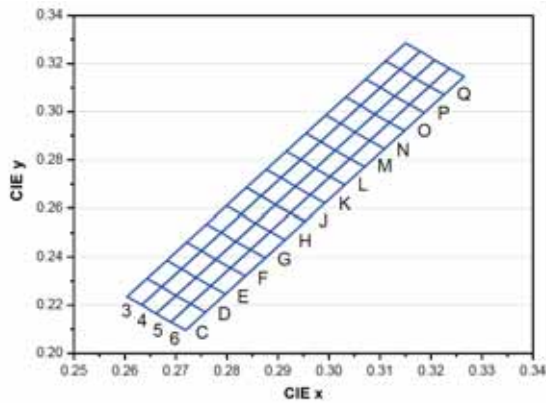
Bin Range of Chromaticity Coordinates Specifications

CCT	Bin Code	CIE X	CIE Y	Bin Code	CIE X	CIE Y
5700K	53A	0.3334	0.3578	53B	0.3333	0.3518
		0.3333	0.3518		0.3332	0.3458
		0.3374	0.3554		0.3371	0.3493
		0.3376	0.3616		0.3374	0.3554
	53C	0.3332	0.3458	53D	0.3331	0.3398
		0.3331	0.3398		0.3330	0.3338
		0.3369	0.3431		0.3366	0.3369
		0.3371	0.3493		0.3369	0.3431
	55A	0.3292	0.3539	55B	0.3293	0.3481
		0.3293	0.3481		0.3293	0.3423
		0.3333	0.3518		0.3332	0.3458
		0.3334	0.3578		0.3333	0.3518
	55C	0.3293	0.3423	55D	0.3294	0.3364
		0.3294	0.3364		0.3294	0.3306
		0.3331	0.3398		0.3330	0.3338
		0.3332	0.3458		0.3331	0.3398
	57A	0.3250	0.3501	57B	0.3252	0.3444
		0.3252	0.3444		0.3254	0.3388
		0.3293	0.3481		0.3293	0.3423
		0.3292	0.3539		0.3293	0.3481
	57C	0.3254	0.3388	57D	0.3256	0.3331
		0.3256	0.3331		0.3258	0.3275
		0.3294	0.3364		0.3294	0.3306
		0.3293	0.3423		0.3294	0.3364
	59A	0.3207	0.3462	59B	0.3211	0.3407
		0.3211	0.3407		0.3215	0.3353
		0.3252	0.3444		0.3254	0.3388
		0.3250	0.3501		0.3252	0.3444
	59C	0.3215	0.3353	59D	0.3218	0.3298
		0.3218	0.3298		0.3222	0.3243
		0.3256	0.3331		0.3258	0.3275
		0.3254	0.3388		0.3256	0.3331

CCT	Bin Code	CIE X	CIE Y	Bin Code	CIE X	CIE Y
6500K	61A	0.3160	0.3437	61B	0.3166	0.3384
		0.3166	0.3384		0.3172	0.3331
		0.3209	0.3426		0.3213	0.3371
		0.3205	0.3481		0.3209	0.3426
		0.3172	0.3331		0.3178	0.3277
	61C	0.3178	0.3277	61D	0.3184	0.3224
		0.3217	0.3316		0.3221	0.3261
		0.3213	0.3371		0.3217	0.3316
		0.3115	0.3393		0.3123	0.3342
	63A	0.3123	0.3342	63B	0.3131	0.3290
		0.3166	0.3384		0.3172	0.3331
		0.3160	0.3437		0.3166	0.3384
	63C	0.3131	0.3290	63D	0.3138	0.3239
		0.3138	0.3239		0.3146	0.3187
		0.3178	0.3277		0.3184	0.3224
		0.3172	0.3331		0.3178	0.3277
	66A	0.3072	0.3349	66B	0.3080	0.3299
		0.3080	0.3299		0.3089	0.3249
		0.3123	0.3342		0.3131	0.3290
		0.3115	0.3393		0.3123	0.3342
	66C	0.3089	0.3249	66D	0.3098	0.3200
		0.3098	0.3200		0.3107	0.3150
		0.3138	0.3239		0.3146	0.3187
		0.3131	0.3290		0.3138	0.3239
	68A	0.3028	0.3304	68B	0.3038	0.3256
		0.3038	0.3256		0.3048	0.3209
		0.3080	0.3299		0.3089	0.3249
		0.3072	0.3349		0.3080	0.3299
	68C	0.3048	0.3209	68D	0.3058	0.3161
		0.3058	0.3161		0.3068	0.3113
		0.3098	0.3200		0.3107	0.3150
		0.3089	0.3249		0.3098	0.3200

AUTOMOTIVE BIN SELECTION

Interior / Backlight

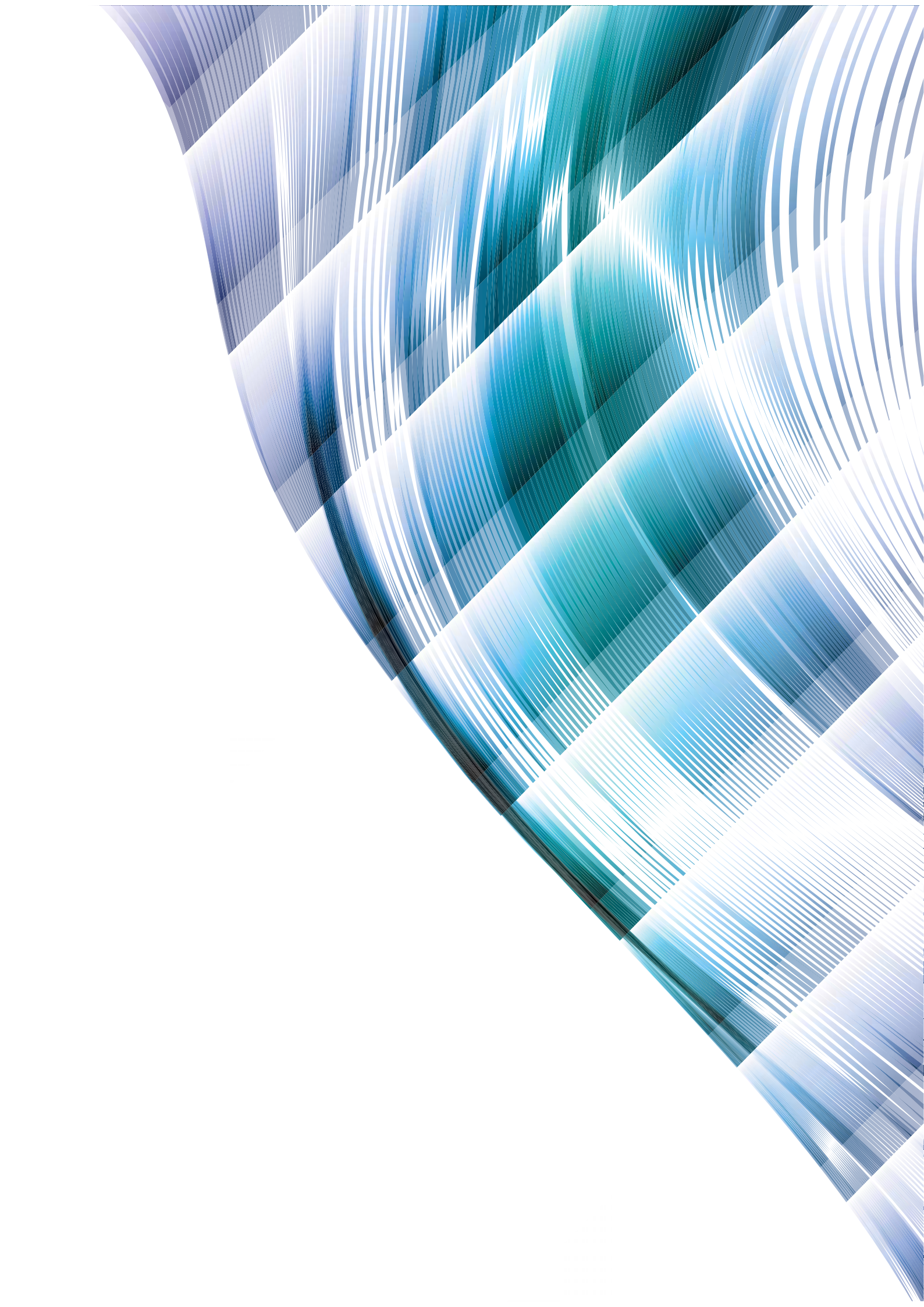


Bin Range of Chromaticity Coordinates Specifications

Bin Code	CIE X	CIE Y	Bin Code	CIE X	CIE Y
Q3	0.3140	0.3176	J3	0.2867	0.2651
	0.3111	0.3210		0.2838	0.2685
	0.3150	0.3285		0.2877	0.2760
	0.3179	0.3251		0.2906	0.2726
P3	0.3101	0.3101	Q4	0.3168	0.3139
	0.3072	0.3135		0.3140	0.3176
	0.3111	0.3210		0.3179	0.3251
	0.3140	0.3176		0.3207	0.3214
O3	0.3062	0.3026	P4	0.3129	0.3064
	0.3033	0.3060		0.3101	0.3101
	0.3072	0.3135		0.3140	0.3176
	0.3101	0.3101		0.3168	0.3139
N3	0.3023	0.2951	O4	0.3090	0.2989
	0.2994	0.2985		0.3062	0.3026
	0.3033	0.3060		0.3101	0.3101
	0.3062	0.3026		0.3129	0.3064
M3	0.2984	0.2876	N4	0.3051	0.2914
	0.2955	0.2910		0.3023	0.2951
	0.2994	0.2985		0.3062	0.3026
	0.3023	0.2951		0.3090	0.2989
L3	0.2945	0.2801	M4	0.3012	0.2839
	0.2916	0.2835		0.2984	0.2876
	0.2955	0.2910		0.3023	0.2951
	0.2984	0.2876		0.3051	0.2914
K3	0.2906	0.2726	L4	0.2973	0.2764
	0.2877	0.2760		0.2945	0.2801
	0.2916	0.2835		0.2984	0.2876
	0.2945	0.2801		0.3012	0.2839

Bin Code	CIE X	CIE Y	Bin Code	CIE X	CIE Y
K4	0.2934	0.2689	P6	0.3187	0.2996
	0.2906	0.2726		0.3158	0.3030
	0.2945	0.2801		0.3197	0.3105
	0.2973	0.2764		0.3226	0.3071
J4	0.2895	0.2614	O6	0.3148	0.2921
	0.2867	0.2651		0.3119	0.2955
	0.2906	0.2726		0.3158	0.3030
	0.2934	0.2689		0.3187	0.2996
Q5	0.3197	0.3105	N6	0.3109	0.2846
	0.3168	0.3139		0.3080	0.2880
	0.3207	0.3214		0.3119	0.2955
	0.3236	0.3180		0.3148	0.2921
P5	0.3158	0.3030	M6	0.3070	0.2771
	0.3129	0.3064		0.3041	0.2805
	0.3168	0.3139		0.3080	0.2880
	0.3197	0.3105		0.3109	0.2846
O5	0.3119	0.2955	L6	0.3031	0.2696
	0.3090	0.2989		0.3002	0.2730
	0.3129	0.3064		0.3041	0.2805
	0.3158	0.3030		0.3070	0.2771
N5	0.3080	0.2880	K6	0.2992	0.2621
	0.3051	0.2914		0.2963	0.2655
	0.3090	0.2989		0.3002	0.2730
	0.3119	0.2955		0.3031	0.2696
M5	0.3041	0.2805	J6	0.2953	0.2546
	0.3012	0.2839		0.2924	0.2580
	0.3051	0.2914		0.2963	0.2655
	0.3080	0.2880		0.2992	0.2621
L5	0.3002	0.2730	H3	0.2828	0.2576
	0.2973	0.2764		0.2799	0.2610
	0.3012	0.2839		0.2838	0.2685
	0.3041	0.2805		0.2867	0.2651
K5	0.2963	0.2655	G3	0.2789	0.2501
	0.2934	0.2689		0.2760	0.2535
	0.2973	0.2764		0.2799	0.2610
	0.3002	0.2730		0.2828	0.2576
J5	0.2924	0.2580	F3	0.2750	0.2426
	0.2895	0.2614		0.2721	0.2460
	0.2934	0.2689		0.2760	0.2535
	0.2963	0.2655		0.2789	0.2501
Q6	0.3226	0.3071	E3	0.2711	0.2351
	0.3197	0.3105		0.2682	0.2385
	0.3236	0.3180		0.2721	0.2460
	0.3265	0.3146		0.2750	0.2426

Bin Code	CIE X	CIE Y	Bin Code	CIE X	CIE Y
D3	0.2672	0.2276	E5	0.2768	0.2280
	0.2643	0.2310		0.2739	0.2314
	0.2682	0.2385		0.2778	0.2389
	0.2711	0.2351		0.2807	0.2355
C3	0.2633	0.2201	D5	0.2729	0.2205
	0.2604	0.2235		0.2700	0.2239
	0.2643	0.2310		0.2739	0.2314
	0.2672	0.2276		0.2768	0.2280
H4	0.2856	0.2539	C5	0.2690	0.2130
	0.2828	0.2576		0.2661	0.2164
	0.2867	0.2651		0.2700	0.2239
	0.2895	0.2614		0.2729	0.2205
G4	0.2817	0.2464	H6	0.2914	0.2471
	0.2789	0.2501		0.2885	0.2505
	0.2828	0.2576		0.2924	0.2580
	0.2856	0.2539		0.2953	0.2546
F4	0.2778	0.2389	G6	0.2875	0.2396
	0.2750	0.2426		0.2846	0.2430
	0.2789	0.2501		0.2885	0.2505
	0.2817	0.2464		0.2914	0.2471
E4	0.2739	0.2314	F6	0.2836	0.2321
	0.2711	0.2351		0.2807	0.2355
	0.2750	0.2426		0.2846	0.2430
	0.2778	0.2389		0.2875	0.2396
D4	0.2700	0.2239	E6	0.2797	0.2246
	0.2672	0.2276		0.2768	0.2280
	0.2711	0.2351		0.2807	0.2355
	0.2739	0.2314		0.2836	0.2321
C4	0.2661	0.2164	D6	0.2758	0.2171
	0.2633	0.2201		0.2729	0.2205
	0.2672	0.2276		0.2768	0.2280
	0.2700	0.2239		0.2797	0.2246
H5	0.2885	0.2505	C6	0.2719	0.2096
	0.2856	0.2539		0.2690	0.2130
	0.2895	0.2614		0.2729	0.2205
	0.2924	0.2580		0.2758	0.2171
G5	0.2846	0.2430			
	0.2817	0.2464			
	0.2856	0.2539			
	0.2885	0.2505			
F5	0.2807	0.2355			
	0.2778	0.2389			
	0.2817	0.2464			
	0.2846	0.2430			





VISIBLE LED

48 HIGH POWER LED

52 DRIVER ON BOARD

56 CHIP ON BOARD

64 LOW MIDDLE POWER LED

82 UV

87 FLASH LED

93 SMD LED

124 LED LAMPS

136 LED DIGITAL DISPLAYS

150 SIGNAGE LED

160 AUTOMOTIVE LED

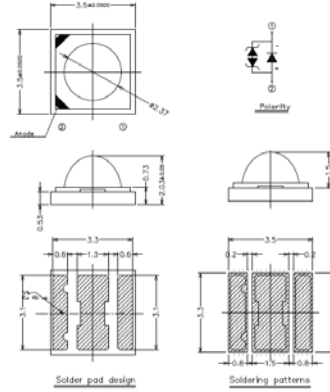
173 BACKLIGHTING LED

High Power LED | Shwo/Monochromatic LED

High Power LED



UNIT : mm

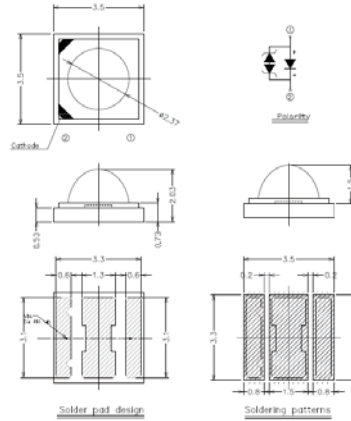


1W / 3V / 350mA

Product	Size (LxWxHmm)	Forward Voltage (V)	Forward Current(mA)	Color	Wavelength (nm)	Luminous Flux/ Radiometric Power (lm/mW)
ELSW-F61R1-0PPNM-AR5R6	3.5x3.5x2.03	1.75~2.95	350	● Red	620~630	60 lm
ELSW-F91O1-0EPNM-AR3R4	3.5x3.5x2.03	1.75~2.95	350	● Orange	610~620	90 lm
ELSW-F61Y1-0EPNM-AA3A6	3.5x3.5x2.03	1.75~2.95	350	● Amber	585~595	60 lm



UNIT : mm



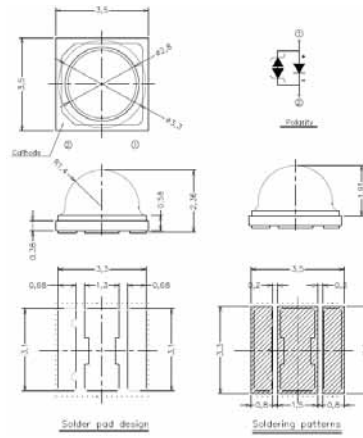
1W / 3V / 350mA

Product	Size (LxWxHmm)	Forward Voltage (V)	Forward Current(mA)	Color	Wavelength (nm)	Luminous Flux/ Radiometric Power (lm/mW)
ELSW-J31G1-0LPNM-CG1G2	3.5x3.5x2.03	2.65~3.85	350	● Green	520~530	120 lm
ELSW-J31G1-0LPNM-CG2G3	3.5x3.5x2.03	2.65~3.85	350	● Green	525~535	120 lm
ELSW-E91B1-0LPNM-CB7B8	3.5x3.5x2.03	2.65~3.85	350	● Blue	460~470	23 lm
ELSW-F11B1-0LPNM-CB8B9	3.5x3.5x2.03	2.65~3.85	350	● Blue	465~475	27 lm
ELSW-F21B1-0LPNM-CBABB	3.5x3.5x2.03	2.65~3.85	350	● Blue	475~485	33 lm
ELSW-R51L1-0EPNM-CB4B6	3.5x3.5x2.03	2.65~3.85	350	● Royal Blue	445~460	530 mW
ELSW-R21E1-0EPNM-AD3D8	3.5x3.5x2.03	1.75~2.95	350	● Deep Red	645~675	380 mW
ELSW-RA1E1-0LPNM-AD3D8	3.5x3.5x2.03	1.75~2.95	350	● Deep Red	645~675	420 mW
ELSW-Q91F1-0LPNM-AF3F8	3.5x3.5x2.03	1.75~2.95	350	● Far Red	715~745	275 mW

High Power LED | Shwo/Monochromatic LED



UNIT : mm



High Power LED

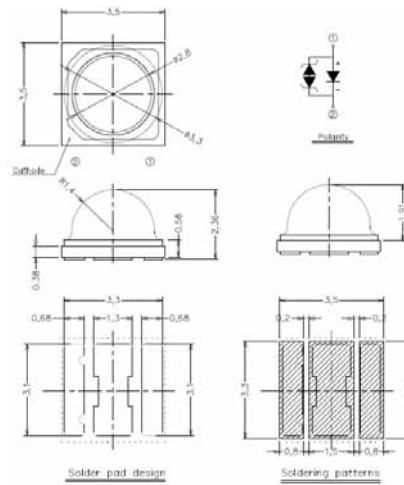
1W / 3V / 350mA

Product	Size (LxWxHmm)	Forward Voltage (V)	Forward Current(mA)	Color	Wavelength (nm)	Luminous Flux/ Radiometric Power (lm/mW)
ELSWF-R61L1-6FPNM-CB4B6	3.5x3.5x2.36	2.65~3.85	350	● Royal Blue	445~460	600 mW

High Power LED | Shwo (F)



UNIT : mm



High Power LED

1W / 3V / 350mA

Product	Size (LxWxHmm)	Forward Voltage(V)	Forward Current(mA)	Color	CCT (K)	Luminous Flux (Min.)	Luminous Flux (TYP)	CRI (min.)
ELSWF-J81C1-6FPGS-C6500	3.5x3.5x2.36	2.65~3.55	350	○ Cool White	6500	153	164	70
ELSWF-J71C1-5FPGS-C6500	3.5x3.5x2.36	2.65~3.55	350	○ Cool White	6500	145	160	70
ELSWF-J81C1-6FPGS-C5700	3.5x3.5x2.36	2.65~3.55	350	○ Cool White	5700	153	164	70
ELSWF-J71C1-5FPGS-C5700	3.5x3.5x2.36	2.65~3.55	350	○ Cool White	5700	145	160	70
ELSWF-J81C1-6FPGS-C5000	3.5x3.5x2.36	2.65~3.55	350	○ Cool White	5000	153	164	70
ELSWF-J71C1-5FPGS-C5000	3.5x3.5x2.36	2.65~3.55	350	○ Cool White	5000	145	160	70
ELSWF-J61N1-5FPGS-C4000	3.5x3.5x2.36	2.65~3.55	350	○ Neutral White	4000	135	149	70
ELSWF-J61C1-5FPHS-C6500	3.5x3.5x2.36	2.65~3.55	350	○ Cool White	6500	135	149	80
ELSWF-J61C1-5FPHS-C5700	3.5x3.5x2.36	2.65~3.55	350	○ Cool White	5700	135	149	80
ELSWF-J61C1-5FPHS-C5000	3.5x3.5x2.36	2.65~3.55	350	○ Cool White	5000	135	149	80
ELSWF-J51N1-5FPHS-C4000	3.5x3.5x2.36	2.65~3.55	350	○ Neutral White	4000	126	139	80
ELSWF-J41M1-5FPHS-C3500	3.5x3.5x2.36	2.65~3.55	350	● Warm White	3500	117	129	80
ELSWF-J41M1-5FPHS-C3000	3.5x3.5x2.36	2.65~3.55	350	● Warm White	3000	117	129	80
ELSWF-J41M1-5FPHS-C2700	3.5x3.5x2.36	2.65~3.55	350	● Warm White	2700	117	129	80

• Above spec is based on 85°C

3W / 3V / 700mA

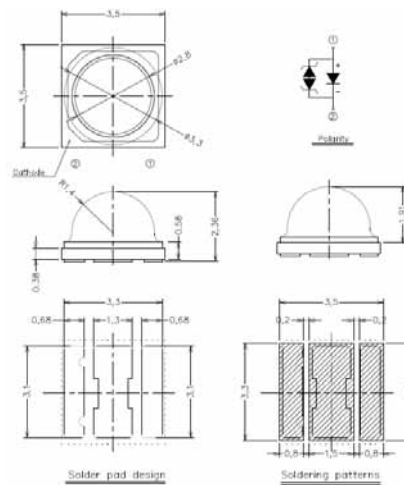
Product	Size (LxWxHmm)	Forward Voltage(V)	Forward Current(mA)	Color	CCT (K)	Luminous Flux (Min.)	Luminous Flux (TYP)	CRI (min.)
ELSWF-J81C1-6FPGS-C6500	3.5x3.5x2.36	2.65~3.85	700	○ Cool White	6500	275	295	70
ELSWF-J71C1-5FPGS-C6500	3.5x3.5x2.36	2.65~3.85	700	○ Cool White	6500	260	286	70
ELSWF-J81C1-6FPGS-C5700	3.5x3.5x2.36	2.65~3.85	700	○ Cool White	5700	275	295	70
ELSWF-J71C1-5FPGS-C5700	3.5x3.5x2.36	2.65~3.85	700	○ Cool White	5700	260	286	70
ELSWF-J81C1-6FPGS-C5000	3.5x3.5x2.36	2.65~3.85	700	○ Cool White	5000	275	295	70
ELSWF-J71C1-5FPGS-C5000	3.5x3.5x2.36	2.65~3.85	700	○ Cool White	5000	260	286	70
ELSWF-J61N1-5FPGS-C4000	3.5x3.5x2.36	2.65~3.85	700	○ Neutral White	4000	251	276	70
ELSWF-J61C1-5FPHS-C6500	3.5x3.5x2.36	2.65~3.85	700	○ Cool White	6500	251	276	80
ELSWF-J61C1-5FPHS-C5700	3.5x3.5x2.36	2.65~3.85	700	○ Cool White	5700	251	276	80
ELSWF-J61C1-5FPHS-C5000	3.5x3.5x2.36	2.65~3.85	700	○ Cool White	5000	251	276	80
ELSWF-J51N1-5FPHS-C4000	3.5x3.5x2.36	2.65~3.85	700	○ Neutral White	4000	234	257	80
ELSWF-J41M1-5FPHS-C3500	3.5x3.5x2.36	2.65~3.85	700	● Warm White	3500	218	240	80
ELSWF-J41M1-5FPHS-C3000	3.5x3.5x2.36	2.65~3.85	700	● Warm White	3000	218	240	80
ELSWF-J41M1-5FPHS-C2700	3.5x3.5x2.36	2.65~3.85	700	● Warm White	2700	218	240	80

• Above spec is based on 85°C

High Power LED | Shwo (F)



UNIT : mm



High Power LED

4W / 3V / 1000mA

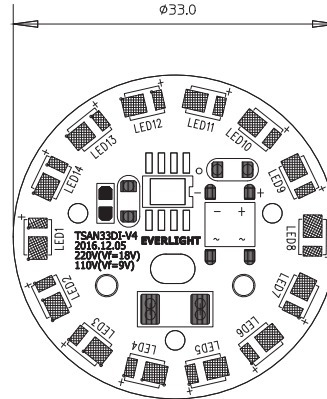
Product	Size (LxWxHmm)	Forward Voltage(V)	Forward Current(mA)	Color	CCT (K)	Luminous Flux (Min.)	Luminous Flux (TYP)	CRI (min.)
ELSWF-J81C1-6FPGS-C6500	3.5x3.5x2.36	2.95~4.15	1000	○ Cool White	6500	367	394	70
ELSWF-J71C1-5FPGS-C6500	3.5x3.5x2.36	2.95~4.15	1000	○ Cool White	6500	345	380	70
ELSWF-J81C1-6FPGS-C5700	3.5x3.5x2.36	2.95~4.15	1000	○ Cool White	5700	367	394	70
ELSWF-J71C1-5FPGS-C5700	3.5x3.5x2.36	2.95~4.15	1000	○ Cool White	5700	345	380	70
ELSWF-J81C1-6FPGS-C5000	3.5x3.5x2.36	2.95~4.15	1000	○ Cool White	5000	367	394	70
ELSWF-J71C1-5FPGS-C5000	3.5x3.5x2.36	2.95~4.15	1000	○ Cool White	5000	345	380	70
ELSWF-J61N1-5FPGS-C4000	3.5x3.5x2.36	2.95~4.15	1000	○ Neutral White	4000	340	374	70
ELSWF-J61C1-5FPHS-C6500	3.5x3.5x2.36	2.95~4.15	1000	○ Cool White	6500	340	374	80
ELSWF-J61C1-5FPHS-C5700	3.5x3.5x2.36	2.95~4.15	1000	○ Cool White	5700	340	374	80
ELSWF-J61C1-5FPHS-C5000	3.5x3.5x2.36	2.95~4.15	1000	○ Cool White	5000	340	374	80
ELSWF-J51N1-5FPHS-C4000	3.5x3.5x2.36	2.95~4.15	1000	○ Neutral White	4000	318	350	80
ELSWF-J41M1-5FPHS-C3500	3.5x3.5x2.36	2.95~4.15	1000	○ Warm White	3500	295	325	80
ELSWF-J41M1-5FPHS-C3000	3.5x3.5x2.36	2.95~4.15	1000	○ Warm White	3000	295	325	80
ELSWF-J41M1-5FPHS-C2700	3.5x3.5x2.36	2.95~4.15	1000	○ Warm White	2700	295	325	80

• Above spec is based on 85°C

Driver on Board | TSAN33DI



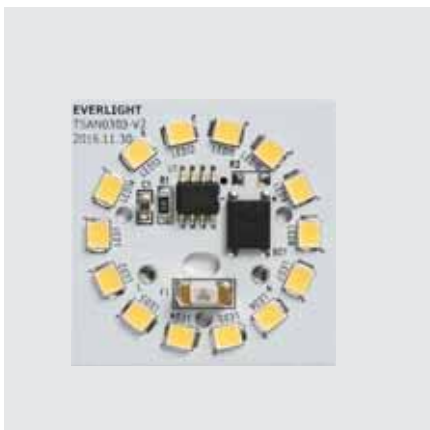
UNIT : mm



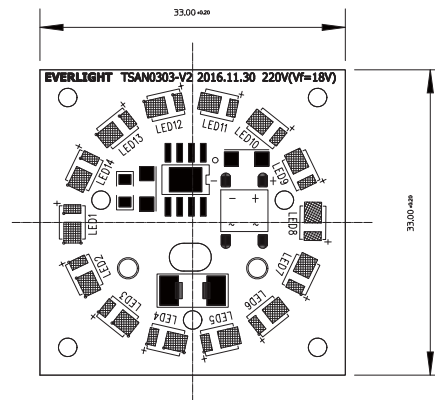
8W

Product	Diameter (mm)	CCT (K)	Flux (lm)	CRI (Ra)	SDCM	Dimming
TSAN33DI-M-K277-EU008-D001T	33x33	2700	720	Typ. 80	7	Non-dimmable
TSAN33DI-M-K307-EU008-D001T		3000				
TSAN33DI-M-K407-EU008-D001T		4000				
TSAN33DI-M-K507-EU008-E001T		5000	800			
TSAN33DI-M-K577-EU008-E001T		5700				
TSAN33DI-M-K657-EU008-E001T		6500				

Driver on Board | TSAN0303



UNIT : mm



10W

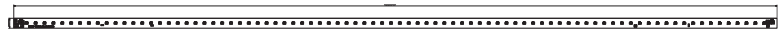
Product	Diameter (mm)	CCT (K)	Flux (lm)	CRI (Ra)	SDCM	Dimming
TSAN0303-M-K277-EU010-D001T	33x33	2700	900	Typ. 80	7	Non-dimmable
TSAN0303-M-K307-EU010-D001T		3000				
TSAN0303-M-K407-EU010-D001T		4000				
TSAN0303-M-K507-EU010-E001T		5000	1,000			
TSAN0303-M-K577-EU010-E001T		5700				
TSAN0303-M-K657-EU010-E001T		6500				

Driver on Board

Driver on Board | TSAN4FFA



UNIT : mm

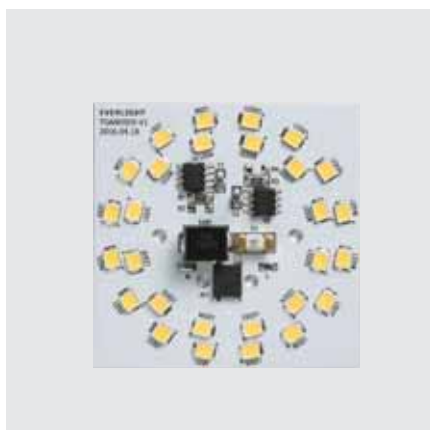


16W

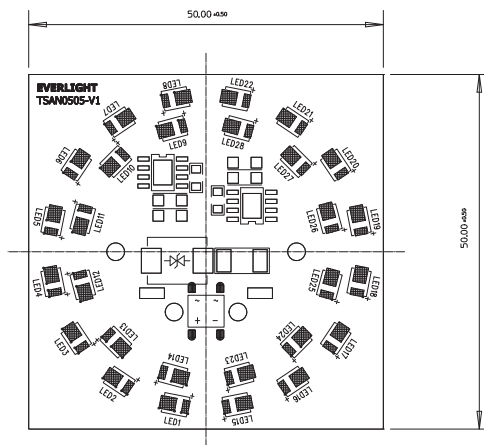
Product	Diameter (mm)	CCT (K)	Flux (lm)	CRI (Ra)	SDCM	Dimming
TSAN4FFA-M-K277-EU016-E001C	1160x15	2700	1,680	Typ. 80	7	Non-dimmable
TSAN4FFA-M-K307-EU016-E001C		3000				
TSAN4FFA-M-K407-EU016-E001C		4000				
TSAN4FFA-M-K507-EU016-F001C		5000	1,840			
TSAN4FFA-M-K577-EU016-F001C		5700				
TSAN4FFA-M-K657-EU016-F001C		6500				

Driver on Board

Driver on Board | TSAN0505



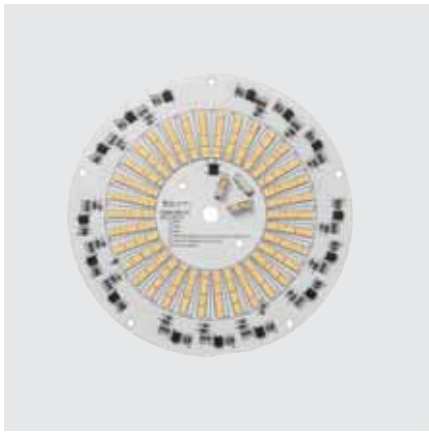
UNIT : mm



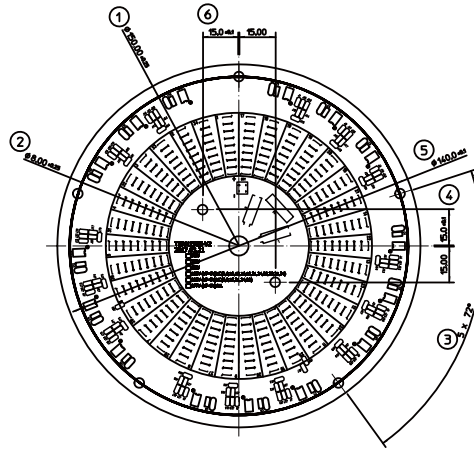
25W

Product	Diameter (mm)	CCT (K)	Flux (lm)	CRI (Ra)	SDCM	Dimming
TSAN0505-M-K277-EU016-D001T	50x50	2700	2,250	Typ. 80	7	Non-dimmable
TSAN0505-M-K307-EU016-D001T		3000				
TSAN0505-M-K407-EU016-D001T		4000				
TSAN0505-M-K507-EU016-E001T		5000	2,500			
TSAN0505-M-K577-EU016-E001T		5700				
TSAN0505-M-K657-EU016-E001T		6500				

Driver on Board | TSAN150E



UNIT : mm



Driver on Board

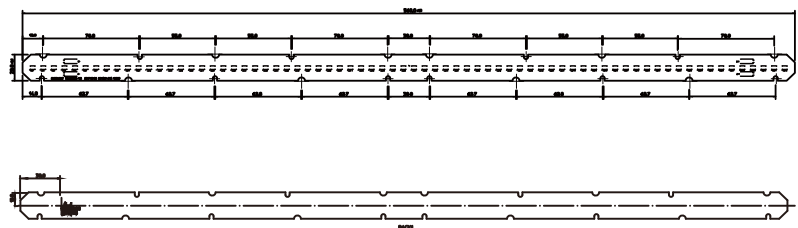
95W

Product	Diameter (mm)	CCT (K)	Flux (lm)	CRI (Ra)	SDCM	Dimming
TSAN150E-M-K307-EU095-X001C	ø150	3000	10450	Typ. 80	7	Non-dimmable
TSAN150E-M-K507-EU095-X001C		5000	11420			

Driver on Board | TSAN-5602



UNIT : mm



14 W

Product	Diameter (mm)	CCT (K)	Flux (lm)	CRI (Ra)	SDCM	Dimming
TSAN-5602-M-K307-DC014-F001T	560x20	3000	1540	Typ. 80	7	Non-dimmable
TSAN-5602-M-K407-DC014-F001T		4000	1540			
TSAN-5602-M-K657-DC014-G001T		6500	1680			

Driver on Board | TSAN5003



UNIT : mm



Driver on Board

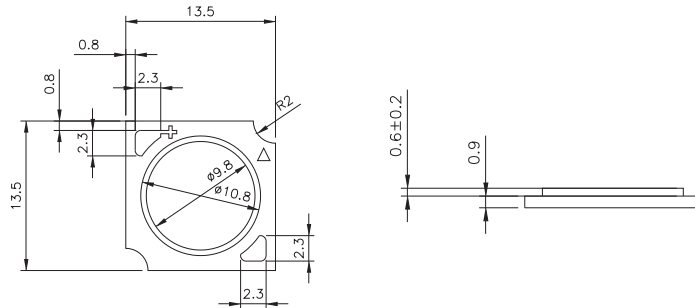
40/60W

Product	Diameter (mm)	CCT (K)	Flux (lm)	CRI (Ra)	SDCM	Dimming
TSAN5003-M-K307-US040-F001C	500x30	3000	4400	Typ. 80	7	Non-dimmable
TSAN5003-M-K307-US060-F001C		3000	6600			

Chip on Board | Xuan1313



UNIT : mm



3W / 36V / 90mA

Product	Size (LxWxHmm)	Forward Voltage (V)	Forward Current (mA)	Color	CCT (K)	Luminous Flux (lm)		CRI (min.)	Luminous Efficacy (lm/W)
						Min.	TYP		
GXUAN1313-KM27327-36103-094T	13.5x13.5x1.5	31.0~37.0	90	● Warm White	2700	400	455	80	151
GXUAN1313-KM30330-36103-094T	13.5x13.5x1.5	31.0~37.0	90	● Warm White	3000	418	475	80	158
GXUAN1313-KM35335-36103-094T	13.5x13.5x1.5	31.0~37.0	90	● Warm White	3500	425	483	80	160
GXUAN1313-KM40340-36103-094T	13.5x13.5x1.5	31.0~37.0	90	○ Neutral White	4000	438	498	80	165
GXUAN1313-KT50550-36103-094T	13.5x13.5x1.5	31.0~37.0	90	○ Cool White	5000	435	494	80	164
GXUAN1313-KT57557-36103-094T	13.5x13.5x1.5	31.0~37.0	90	○ Cool White	5700	443	504	80	167
GXUAN1313-KT65565-36103-094T	13.5x13.5x1.5	31.0~37.0	90	○ Cool White	6500	443	504	80	167
GXUAN1313-PM27327-36103-094T	13.5x13.5x1.5	31.0~37.0	90	● Warm White	2700	346	384	90	127
GXUAN1313-PM30330-36103-094T	13.5x13.5x1.5	31.0~37.0	90	● Warm White	3000	361	401	90	133
GXUAN1313-PM35335-36103-094T	13.5x13.5x1.5	31.0~37.0	90	● Warm White	3500	365	406	90	135
GXUAN1313-PM40340-36103-094T	13.5x13.5x1.5	31.0~37.0	90	○ Neutral White	4000	366	407	90	135

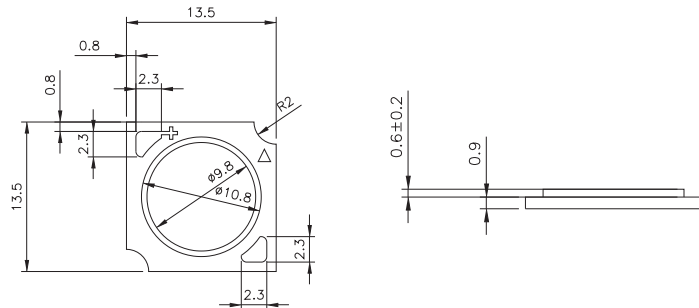
6W / 36V / 180mA

Product	Size (LxWxHmm)	Forward Voltage (V)	Forward Current (mA)	Color	CCT (K)	Luminous Flux (lm)		CRI (min.)	Luminous Efficacy (lm/W)
						Min.	TYP		
GXUAN1313-KM27327-36206-094T	13.5x13.5x1.5	31.0~37.0	180	● Warm White	2700	779	885	80	147
GXUAN1313-KM30330-36206-094T	13.5x13.5x1.5	31.0~37.0	180	● Warm White	3000	813	924	80	153
GXUAN1313-KM35335-36206-094T	13.5x13.5x1.5	31.0~37.0	180	● Warm White	3500	826	938	80	156
GXUAN1313-KM40340-36206-094T	13.5x13.5x1.5	31.0~37.0	180	○ Neutral White	4000	852	969	80	161
GXUAN1313-KT50550-36206-094T	13.5x13.5x1.5	31.0~37.0	180	○ Cool White	5000	846	961	80	159
GXUAN1313-KT57557-36206-094T	13.5x13.5x1.5	31.0~37.0	180	○ Cool White	5700	862	979	80	162
GXUAN1313-KT65565-36206-094T	13.5x13.5x1.5	31.0~37.0	180	○ Cool White	6500	862	979	80	162
GXUAN1313-PM27327-36206-094T	13.5x13.5x1.5	31.0~37.0	180	● Warm White	2700	673	747	90	124
GXUAN1313-PM30330-36206-094T	13.5x13.5x1.5	31.0~37.0	180	● Warm White	3000	702	780	90	129
GXUAN1313-PM35335-36206-094T	13.5x13.5x1.5	31.0~37.0	180	● Warm White	3500	710	789	90	131
GXUAN1313-PM40340-36206-094T	13.5x13.5x1.5	31.0~37.0	180	○ Neutral White	4000	713	792	90	131

Chip on Board | Xuan1313



UNIT : mm



10W / 36V / 270mA

Product	Size (LxWxHmm)	Forward Voltage (V)	Forward Current (mA)	Color	CCT (K)	Luminous Flux (lm)		CRI (min.)	Luminous Efficacy (lm/W)
						Min.	TYP		
GXUAN1313-KM27327-36310-094T	13.5x13.5x1.5	31.0~37.0	270	● Warm White	2700	1127	1281	80	142
GXUAN1313-KM30330-36310-094T	13.5x13.5x1.5	31.0~37.0	270	● Warm White	3000	1206	1370	80	151
GXUAN1313-KM35335-36310-094T	13.5x13.5x1.5	31.0~37.0	270	● Warm White	3500	1195	1358	80	150
GXUAN1313-KM40340-36310-094T	13.5x13.5x1.5	31.0~37.0	270	○ Neutral White	4000	1234	1402	80	155
GXUAN1313-KT50550-36310-094T	13.5x13.5x1.5	31.0~37.0	270	○ Cool White	5000	1225	1392	80	154
GXUAN1313-KT57557-36310-094T	13.5x13.5x1.5	31.0~37.0	270	○ Cool White	5700	1247	1417	80	157
GXUAN1313-KT65565-36310-094T	13.5x13.5x1.5	31.0~37.0	270	○ Cool White	6500	1247	1417	80	157
GXUAN1313-PM27327-36310-094T	13.5x13.5x1.5	31.0~37.0	270	● Warm White	2700	974	1082	90	120
GXUAN1313-PM30330-36310-094T	13.5x13.5x1.5	31.0~37.0	270	● Warm White	3000	1040	1156	90	128
GXUAN1313-PM35335-36310-094T	13.5x13.5x1.5	31.0~37.0	270	● Warm White	3500	1028	1143	90	126
GXUAN1313-PM40340-36310-094T	13.5x13.5x1.5	31.0~37.0	270	○ Neutral White	4000	1031	1146	90	127

13W / 36V / 360 mA

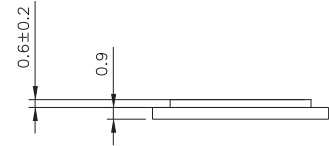
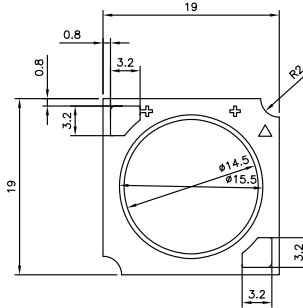
Product	Size (LxWxHmm)	Forward Voltage (V)	Forward Current (mA)	Color	CCT (K)	Luminous Flux (lm)		CRI (min.)	Luminous Efficacy (lm/W)
						Min.	TYP		
GXUAN1313-KM27327-36413-094T	13.5x13.5x1.5	31.0~37.0	360	● Warm White	2700	1454	1652	80	137
GXUAN1313-KM30330-36413-094T	13.5x13.5x1.5	31.0~37.0	360	● Warm White	3000	1590	1807	80	150
GXUAN1313-KM35335-36413-094T	13.5x13.5x1.5	31.0~37.0	360	● Warm White	3500	1541	1751	80	145
GXUAN1313-KM40340-36413-094T	13.5x13.5x1.5	31.0~37.0	360	○ Neutral White	4000	1591	1808	80	150
GXUAN1313-KT50550-36413-094T	13.5x13.5x1.5	31.0~37.0	360	○ Cool White	5000	1579	1794	80	149
GXUAN1313-KT57557-36413-094T	13.5x13.5x1.5	31.0~37.0	360	○ Cool White	5700	1608	1828	80	152
GXUAN1313-KT65565-36413-094T	13.5x13.5x1.5	31.0~37.0	360	○ Cool White	6500	1608	1828	80	152
GXUAN1313-PM27327-36413-094T	13.5x13.5x1.5	31.0~37.0	360	● Warm White	2700	1256	1395	90	116
GXUAN1313-PM30330-36413-094T	13.5x13.5x1.5	31.0~37.0	360	● Warm White	3000	1372	1525	90	126
GXUAN1313-PM35335-36413-094T	13.5x13.5x1.5	31.0~37.0	360	● Warm White	3500	1326	1473	90	122
GXUAN1313-PM40340-36413-094T	13.5x13.5x1.5	31.0~37.0	360	○ Neutral White	4000	1330	1478	90	123

Chip on Board

Chip on Board | Xuan1919



UNIT : mm



16W / 36V / 450mA

Product	Size (LxWxHmm)	Forward Voltage (V)	Forward Current (mA)	Color	CCT (K)	Luminous Flux (lm)		CRI (min.)	Luminous Efficacy (lm/W)
						Min.	TYP		
GXUAN1919-KM27327-36516-0E4T	19x19x1.5	31.0~37.0	450	● Warm White	2700	1948	2213	80	147
GXUAN1919-KM30330-36516-0E4T	19x19x1.5	31.0~37.0	450	● Warm White	3000	2029	2306	80	153
GXUAN1919-KM35335-36516-0E4T	19x19x1.5	31.0~37.0	450	● Warm White	3500	2063	2345	80	156
GXUAN1919-KM40340-36516-0E4T	19x19x1.5	31.0~37.0	450	○ Neutral White	4000	2127	2417	80	160
GXUAN1919-KT50550-36516-0E4T	19x19x1.5	31.0~37.0	450	○ Cool White	5000	2106	2393	80	159
GXUAN1919-KT57557-36516-0E4T	19x19x1.5	31.0~37.0	450	○ Cool White	5700	2126	2416	80	160
GXUAN1919-KT65565-36516-0E4T	19x19x1.5	31.0~37.0	450	○ Cool White	6500	2126	2416	80	160
GXUAN1919-PM27327-36516-0E4T	19x19x1.5	31.0~37.0	450	● Warm White	2700	1682	1869	90	124
GXUAN1919-PM30330-36516-0E4T	19x19x1.5	31.0~37.0	450	● Warm White	3000	1751	1946	90	129
GXUAN1919-PM35335-36516-0E4T	19x19x1.5	31.0~37.0	450	● Warm White	3500	1775	1972	90	131
GXUAN1919-PM40340-36516-0E4T	19x19x1.5	31.0~37.0	450	○ Neutral White	4000	1778	1976	90	131

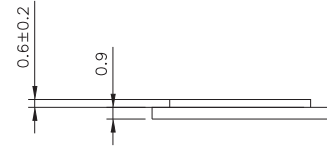
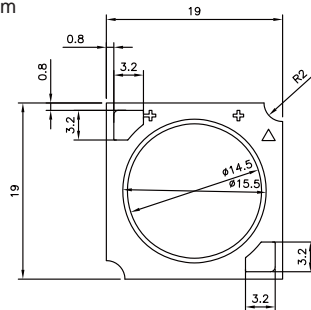
19W / 36V / 540mA

Product	Size (LxWxHmm)	Forward Voltage (V)	Forward Current (mA)	Color	CCT (K)	Luminous Flux (lm)		CRI (min.)	Luminous Efficacy (lm/W)
						Min.	TYP		
GXUAN1919-KM27327-36619-0E4T	19x19x1.5	31.0~37.0	540	● Warm White	2700	2305	2619	80	145
GXUAN1919-KM30330-36619-0E4T	19x19x1.5	31.0~37.0	540	● Warm White	3000	2401	2728	80	151
GXUAN1919-KM35335-36619-0E4T	19x19x1.5	31.0~37.0	540	● Warm White	3500	2441	2774	80	153
GXUAN1919-KM40340-36619-0E4T	19x19x1.5	31.0~37.0	540	○ Neutral White	4000	2517	2860	80	158
GXUAN1919-KT50550-36619-0E4T	19x19x1.5	31.0~37.0	540	○ Cool White	5000	2492	2832	80	157
GXUAN1919-KT57557-36619-0E4T	19x19x1.5	31.0~37.0	540	○ Cool White	5700	2516	2859	80	158
GXUAN1919-KT65565-36619-0E4T	19x19x1.5	31.0~37.0	540	○ Cool White	6500	2516	2859	80	158
GXUAN1919-PM27327-36619-0E4T	19x19x1.5	31.0~37.0	540	● Warm White	2700	1991	2212	90	122
GXUAN1919-PM30330-36619-0E4T	19x19x1.5	31.0~37.0	540	● Warm White	3000	2072	2302	90	127
GXUAN1919-PM35335-36619-0E4T	19x19x1.5	31.0~37.0	540	● Warm White	3500	2100	2334	90	129
GXUAN1919-PM40340-36619-0E4T	19x19x1.5	31.0~37.0	540	○ Neutral White	4000	2104	2337	90	129

Chip on Board | Xuan1919



UNIT : mm

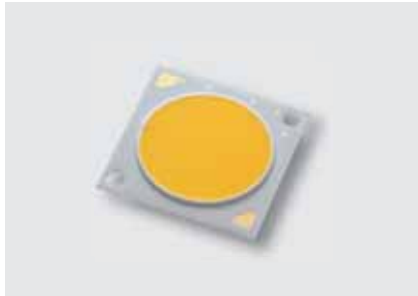


26W / 36V / 720mA

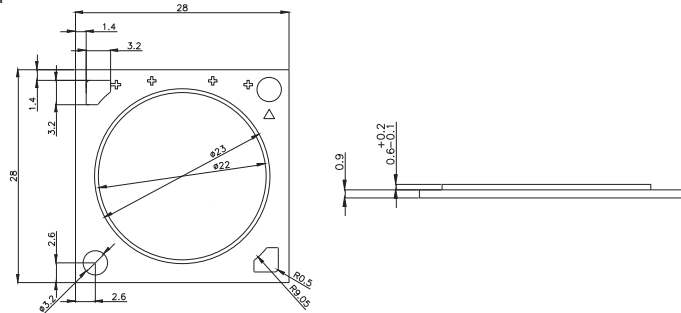
Product	Size (LxWxHmm)	Forward Voltage (V)	Forward Current (mA)	Color	CCT (K)	Luminous Flux (lm) at Tb 85°C		CRI (min.)	Luminous Efficacy (lm/W)
						Min.	TYP		
GXUAN1919-KM27327-36826-0E4T	19x19x1.5	31.0~37.0	720	● Warm White	2700	3018	3430	80	142
GXUAN1919-KM30330-36826-0E4T	19x19x1.5	31.0~37.0	720	● Warm White	3000	3144	3573	80	148
GXUAN1919-KM35335-36826-0E4T	19x19x1.5	31.0~37.0	720	● Warm White	3500	3198	3634	80	151
GXUAN1919-KM40340-36826-0E4T	19x19x1.5	31.0~37.0	720	○ Neutral White	4000	3296	3745	80	155
GXUAN1919-KT50550-36826-0E4T	19x19x1.5	31.0~37.0	720	○ Cool White	5000	3264	3709	80	154
GXUAN1919-KT57557-36826-0E4T	19x19x1.5	31.0~37.0	720	○ Cool White	5700	3295	3744	80	155
GXUAN1919-KT65565-36826-0E4T	19x19x1.5	31.0~37.0	720	○ Cool White	6500	3295	3744	80	155
GXUAN1919-PM27327-36826-0E4T	19x19x1.5	31.0~37.0	720	● Warm White	2700	2608	2897	90	120
GXUAN1919-PM30330-36826-0E4T	19x19x1.5	31.0~37.0	720	● Warm White	3000	2714	3015	90	125
GXUAN1919-PM35335-36826-0E4T	19x19x1.5	31.0~37.0	720	● Warm White	3500	2751	3057	90	127
GXUAN1919-PM40340-36826-0E4T	19x19x1.5	31.0~37.0	720	○ Neutral White	4000	2755	3061	90	127

Chip on Board

Chip on Board | Xuan2828



UNIT : mm



38W / 36V / 1080mA

Product	Size (LxWxHmm)	Forward Voltage (V)	Forward Current (mA)	Color	CCT (K)	Luminous Flux (lm) at Tb 85°C		CRI (min.)	Luminous Efficacy (lm/W)
						Min.	TYP		
GXUAN2828-KM27327-36C38-0M4T	28x28x1.5	31.0~37.0	1080	● Warm White	2700	4684	5322	80	147
GXUAN2828-KM30330-36C38-0M4T	28x28x1.5	31.0~37.0	1080	● Warm White	3000	4879	5544	80	153
GXUAN2828-KM35335-36C38-0M4T	28x28x1.5	31.0~37.0	1080	● Warm White	3500	4962	5638	80	156
GXUAN2828-KM40340-36C38-0M4T	28x28x1.5	31.0~37.0	1080	○ Neutral White	4000	5114	5812	80	161
GXUAN2828-KT50550-36C38-0M4T	28x28x1.5	31.0~37.0	1080	○ Cool White	5000	5064	5755	80	159
GXUAN2828-KT57557-36C38-0M4T	28x28x1.5	31.0~37.0	1080	○ Cool White	5700	5113	5810	80	161
GXUAN2828-KT65565-36C38-0M4T	28x28x1.5	31.0~37.0	1080	○ Cool White	6500	5113	5810	80	161
GXUAN2828-PM27327-36C38-0M4T	28x28x1.5	31.0~37.0	1080	● Warm White	2700	4046	4495	90	124
GXUAN2828-PM30330-36C38-0M4T	28x28x1.5	31.0~37.0	1080	● Warm White	3000	4210	4678	90	129
GXUAN2828-PM35335-36C38-0M4T	28x28x1.5	31.0~37.0	1080	● Warm White	3500	4269	4743	90	131
GXUAN2828-PM40340-36C38-0M4T	28x28x1.5	31.0~37.0	1080	○ Neutral White	4000	4275	4750	90	131

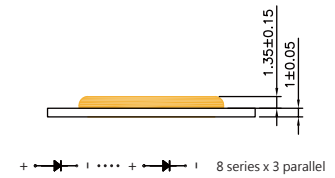
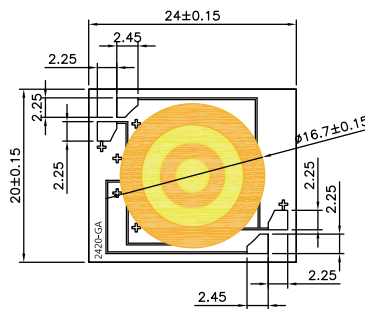
58W / 54V / 1080mA

Product	Size (LxWxHmm)	Forward Voltage (V)	Forward Current (mA)	Color	CCT (K)	Luminous Flux (lm) at Tb 85		CRI (min.)	Luminous Efficacy (lm/W)
						Min.	TYP		
GXUAN2828-KM27327-54C58-0M4T	28x28x1.5	47.0~55.0	1080	● Warm White	2700	6840	7772	80	141
GXUAN2828-KM30330-54C58-0M4T	28x28x1.5	47.0~55.0	1080	● Warm White	3000	7260	8250	80	150
GXUAN2828-KM35335-54C58-0M4T	28x28x1.5	47.0~55.0	1080	● Warm White	3500	7246	8234	80	149
GXUAN2828-KM40340-54C58-0M4T	28x28x1.5	47.0~55.0	1080	○ Neutral White	4000	7469	8487	80	154
GXUAN2828-KT50550-54C58-0M4T	28x28x1.5	47.0~55.0	1080	○ Cool White	5000	7395	8404	80	153
GXUAN2828-KT57557-54C58-0M4T	28x28x1.5	47.0~55.0	1080	○ Cool White	5700	7466	8485	80	154
GXUAN2828-KT65565-54C58-0M4T	28x28x1.5	47.0~55.0	1080	○ Cool White	6500	7466	8485	80	154
GXUAN2828-PM27327-54C58-0M4T	28x28x1.5	47.0~55.0	1080	● Warm White	2700	5908	6564	90	119
GXUAN2828-PM30330-54C58-0M4T	28x28x1.5	47.0~55.0	1080	● Warm White	3000	6265	6962	90	126
GXUAN2828-PM35335-54C58-0M4T	28x28x1.5	47.0~55.0	1080	● Warm White	3500	6234	6926	90	126
GXUAN2828-PM40340-54C58-0M4T	28x28x1.5	47.0~55.0	1080	○ Neutral White	4000	6243	6937	90	126

Chip on Board | CHI2024



UNIT : mm



9W / 24V / 350mA

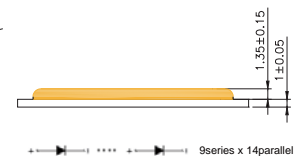
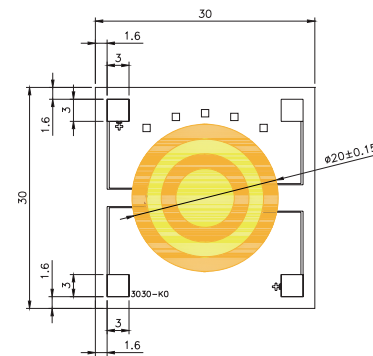
Product	Size (LxWxHmm)	Forward Voltage (V)	Forward Current (mA)	Color	CCT (K)	Luminous Flux (lm)		CRI (min.)	Luminous Efficacy (lm/W)
						Min.	TYP		
CHI2024-KHAH4N9-24609-3G0T	20x24x2.35	23.2~27.0	350/0	● Warm White	2700	940	1045	80	124
	20x24x2.35	23.2~27.0	175/175	○ Neutral White	4000	990	1100	80	131
	20x24x2.35	23.2~27.0	0/350	○ Cool White	5700	1040	1155	80	138
CHI2024-PHAH4N9-24609-3G0T	20x24x2.35	23.2~27.0	350/0	● Warm White	2700	855	950	90	113
	20x24x2.35	23.2~27.0	175/175	○ Neutral White	4000	900	1000	90	119
	20x24x2.35	23.2~27.0	0/350	○ Cool White	5700	945	1000	90	125

Chip on Board

Chip on Board | CHI3030



UNIT : mm



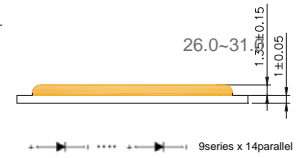
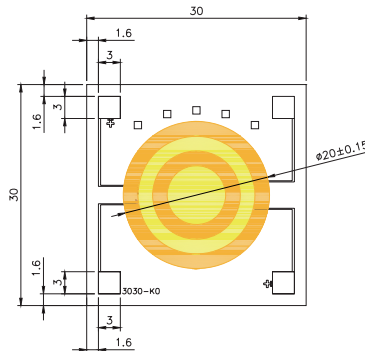
19W / 27V / 700mA

Product	Size (LxWxHmm)	Forward Voltage (V)	Forward Current (mA)	Color	CCT (K)	Luminous Flux (lm)		CRI (min.)	Luminous Efficacy (lm/W)
						Min.	TYP		
CHI3030-PMMB4P9-27E19-3K0T	30x30x2.35	26.0~31.0	700/0	● Warm White	2000	1230	1420	90	74.7
	30x30x2.35	26.0~31.0	350/350	○ Neutral White	2500	1330	1530	90	80.5
	30x30x2.35	26.0~31.0	0/700	○ Cool White	3000	1430	1640	90	86.3

Chip on Board ■ CHI3030



UNIT : mm



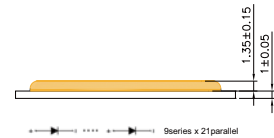
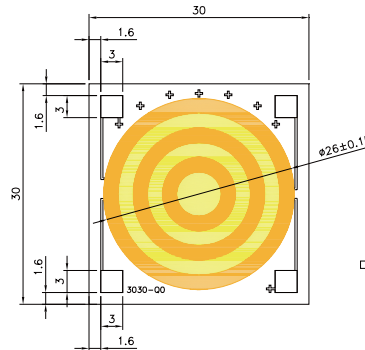
19W / 27V / 700mA

Product	Size (LxWxHmm)	Forward Voltage (V)	Forward Current (mA)	Color	CCT (K)	Luminous Flux (lm)		CRI (min.)	Luminous Efficacy (lm/W)
						Min.	TYP		
CHI3030-KHAH4P7-27E19-3K0T	30x30x2.35	26.0~31.0	700/0	● Warm White	2700	1700	1890	80	100
	30x30x2.35	26.0~31.0	350/350	○ Neutral White	4000	1940	2155	80	114
	30x30x2.35	26.0~31.0	0/700	○ Cool White	5700	1880	2095	80	111
CHI3030- PHAH4P6-27E19-3K0T	30x30x2.35	26.0~31.0	700/0	● Warm White	2700	1490	1655	90	88
	30x30x2.35	26.0~31.0	350/350	○ Neutral White	4000	1700	1890	90	100
	30x30x2.35	26.0~31.0	0/700	○ Cool White	5700	1650	1840	90	97

Chip on Board



UNIT : mm



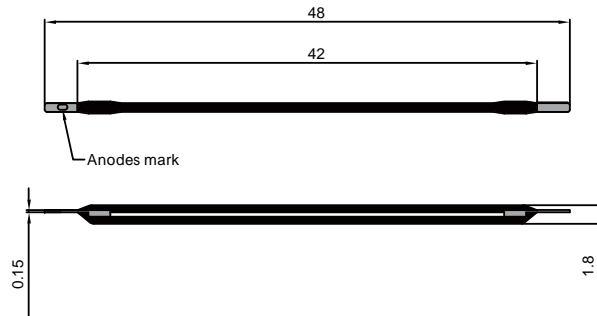
29W / 27V / 1000mA

Product	Size (LxWxHmm)	Forward Voltage (V)	Forward Current (mA)	Color	CCT (K)	Luminous Flux (lm)		CRI (min.)	Luminous Efficacy (lm/W)
						Min.	TYP		
CHI3030-KHAH4S2-27L29-3Q0T	30x30x2.35	26.0~31.0	1000/0	● Warm White	2700	2480	2760	80	102
	30x30x2.35	26.0~31.0	500/500	○ Neutral White	4000	2800	3110	80	115
	30x30x2.35	26.0~31.0	0/1000	○ Cool White	5700	2690	2990	80	111
CHI3030- PHAH4S1-27L29-3Q0T	30x30x2.35	26.0~31.0	1000/0	● Warm White	2700	2230	2480	90	92
	30x30x2.35	26.0~31.0	500/500	○ Neutral White	4000	2510	2790	90	104
	30x30x2.35	26.0~31.0	0/1000	○ Cool White	5700	2420	2690	90	100

Chip on Board | Filament/JHU4001



UNIT : mm



0.7W / 72V / 10mA

Product	Size (LxWxHmm)	Forward Voltage (V)	Forward Current (mA)	Color	CCT (K)	Luminous Flux (lm)		CRI (min.)	Luminous Efficacy (lm/W)
						Min.	TYP		
JHU4001-KM277J1-72101-400T	Total Length (including pins): 40 Diameter: 1.5"	65.0~74.0	10	● Warm White	2700	90	105	80	146

0.9W / 68V / 13mA

Product	Size (LxWxHmm)	Forward Voltage (V)	Forward Current (mA)	Color	CCT (K)	Luminous Flux (lm)		CRI (min.)	Luminous Efficacy (lm/W)
						Min.	TYP		
JHU3802-KM275J1-681U9-700T	Total Length (including pins): 38 Diameter: 18	60~70	13	● Warm White	2700	155	165	80	150
JHU3802-KM405J2-681U9-700T	Total Length (including pins): 38 Diameter: 18	60~70	13	○ Neutral White	4000	160	170	80	150

1.2W / 82V / 13mA

Product	Size (LxWxHmm)	Forward Voltage (V)	Forward Current (mA)	Color	CCT (K)	Luminous Flux (lm)		CRI (min.)	Luminous Efficacy (lm/W)
						Min.	TYP		
JHU4802-KM275J4-82101-100T	Total Length (including pins): 48 Diameter: 18	80~90	13	● Warm White	2700	200	210	80	160
JHU4802-KM405J5-82101-100T	Total Length (including pins): 48 Diameter: 18	80~90	13	○ Neutral White	4000	210	215	80	160

1.75W / 135V / 13mA

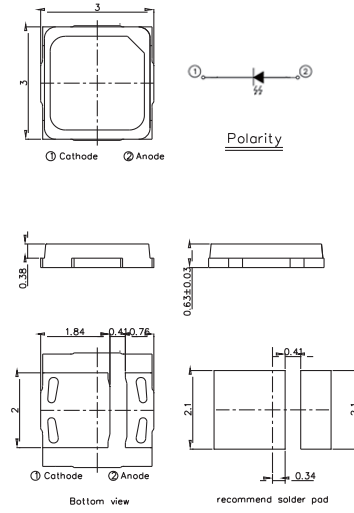
Product	Size (LxWxHmm)	Forward Voltage (V)	Forward Current (mA)	Color	CCT (K)	Luminous Flux (lm)		CRI (min.)	Luminous Efficacy (lm/W)
						Min.	TYP		
JHU4802-KM275J7-D51W8-700T	Total Length (including pins): 48 Diameter: 18	130~145	13	● Warm White	2700	260	270	80	150
JHU4802-KM405J7-D51W8-700T	Total Length (including pins): 48 Diameter: 18	130~145	13	○ Neutral White	4000	265	275	80	150

Chip on Board

Low Middle Power LED | XI3030



UNIT : mm



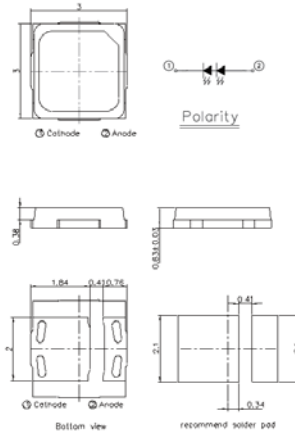
0.2W /3V / 65mA

Product	Size (LxWxHmm)	Forward Voltage (V)	Forward Current (mA)	Color	CCT (K)	Luminous Flux (Min.)	Luminous Flux (Typ.)	CRI (min.)
XI3030P/KK5C-3M2727N41PB24301U6/2N	3.0x3.0x0.63	2.4~3.0	65	Warm White	2700	27	31	80
XI3030P/KK5C-3M3030N41PB24301U6/2N	3.0x3.0x0.63	2.4~3.0	65	Warm White	3000	27	33	80
XI3030P/KK5C-3M3535N41PB24301U6/2N	3.0x3.0x0.63	2.4~3.0	65	Warm White	3500	27	33	80
XI3030P/KK5C-3M4040N42PB24301U6/2N	3.0x3.0x0.63	2.4~3.0	65	Neutral White	4000	30	35	80
XI3030P/KK5C-3M5050N42PB24301U6/2N	3.0x3.0x0.63	2.4~3.0	65	Cool White	5000	30	36	80
XI3030P/KK5C-3M5757N42PB24301U6/2N	3.0x3.0x0.63	2.4~3.0	65	Cool White	5700	30	36	80
XI3030P/KK5C-3M6565N42PB24301U6/2N	3.0x3.0x0.63	2.4~3.0	65	Cool White	6500	30	36	80
XI3030P/KK6C-M2727X1X725292U6/2N	3.0x3.0x0.63	2.5~2.9	65	Warm White	2700	31	34	80
XI3030P/KK6C-M3030X1X725292U6/2N	3.0x3.0x0.63	2.5~2.9	65	Warm White	3000	31	34	80
XI3030P/KK6C-M3535X1X725292U6/2N	3.0x3.0x0.63	2.5~2.9	65	Warm White	3500	31	34	80
XI3030P/KK6C-M4040X4Y025292U6/2N	3.0x3.0x0.63	2.5~2.9	65	Neutral White	4000	34	37	80
XI3030P/KK6C-M5050X4Y025292U6/2N	3.0x3.0x0.63	2.5~2.9	65	Cool White	5000	34	37	80
XI3030P/KK6C-M5757X4Y025292U6/2N	3.0x3.0x0.63	2.5~2.9	65	Cool White	5700	34	37	80
XI3030P/KK6C-M6565X3X925292U6/2N	3.0x3.0x0.63	2.5~2.9	65	Cool White	6500	33	36	80

Low Middle Power LED | XI3030



UNIT : mm



1W / 6V / 150mA

Product	Size (LxWxHmm)	Forward Voltage (V)	Forward Current (mA)	Color	CCT (K)	Luminous Flux (Min.)	Luminous Flux (Typ.)	CRI (min.)
XI3030P/KK5C-H2712566Z15/2N	3.0x3.0x0.63	5.6~6.6	150	● Warm White	2700	125	131	80
XI3030P/KK5C-H3013066Z15/2N	3.0x3.0x0.63	5.6~6.6	150	● Warm White	3000	130	134	80
XI3030P/KK5C-H4013566Z15/2N	3.0x3.0x0.63	5.6~6.6	150	○ Neutral White	4000	130	138	80
XI3030P/KK5C-H5013566Z15/2N	3.0x3.0x0.63	5.6~6.6	150	○ Cool White	5000	135	141	80
XI3030P/KK5C-H5713566Z15/2N	3.0x3.0x0.63	5.6~6.6	150	○ Cool White	5700	135	139	80
XI3030P/KK5C-H6513566Z15/2N	3.0x3.0x0.63	5.6~6.6	150	○ Cool White	6500	135	138	80

1W / 6V / 150mA

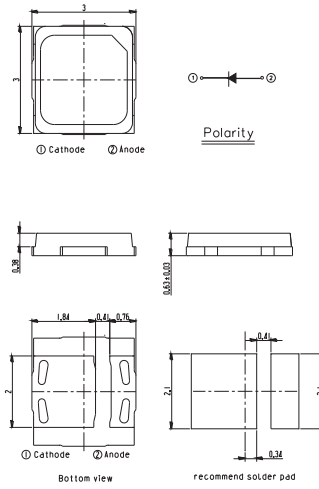
Product	Size (LxWxHmm)	Forward Voltage (V)	Forward Current (mA)	Color	CCT (K)	Luminous Flux (Min.)	Luminous Flux (Typ.)	CRI (min.)
XI3030P/KK6C-H2713066Z15/2N	3.0x3.0x0.63	5.6~6.6	150	● Warm White	2700	130	135	80
XI3030P/KK6C-H3013566Z15/2N	3.0x3.0x0.63	5.6~6.6	150	● Warm White	3000	135	140	80
XI3030P/KK6C-H4014066Z15/2N	3.0x3.0x0.63	5.6~6.6	150	● Warm White	4000	140	145	80
XI3030P/KK6C-H5014066Z15/2N	3.0x3.0x0.63	5.6~6.6	150	○ Cool White	5000	140	145	80
XI3030P/KK6C-H5714066Z15/2N	3.0x3.0x0.63	5.6~6.6	150	○ Cool White	5700	140	145	80
XI3030P/KK6C-H6514066Z15/2N	3.0x3.0x0.63	5.6~6.6	150	○ Cool White	6500	140	145	80
XI3030P/KK7C-H2713566Z15/2N	3.0x3.0x0.63	5.6~6.6	150	● Warm White	2700	135	140	80
XI3030P/KK7C-H3014066Z15/2N	3.0x3.0x0.63	5.6~6.6	150	● Warm White	3000	140	145	80
XI3030P/KK7C-H4014566Z15/2N	3.0x3.0x0.63	5.6~6.6	150	○ Neutral White	4000	145	150	80
XI3030P/KK7C-H5014566Z15/2N	3.0x3.0x0.63	5.6~6.6	150	○ Cool White	5000	145	150	80
XI3030P/KK7C-H5714566Z15/2N	3.0x3.0x0.63	5.6~6.6	150	○ Cool White	5700	145	150	80
XI3030P/KK7C-H6514566Z15/2N	3.0x3.0x0.63	5.6~6.6	150	○ Cool White	6500	145	150	80

Low Middle Power LED

Low Middle Power LED | XI3030



UNIT : mm



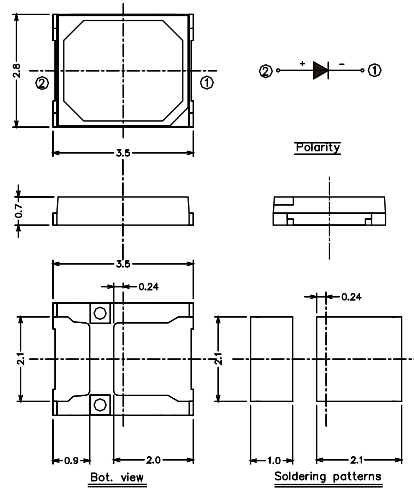
1W / 150mA

Product	Size (LxWxHmm)	Forward Voltage (V)	Forward Current (mA)	Color	Wavelength (nm)	Luminous Flux / Radiometric Power (Min.)	Luminous Flux (Typ.)
XI3030P/B3C-D5060T2T524322Z15/2N	3.0x3.0x0.63	2.4-3.2	150	Royal Blue	450-460	190	-
XI3030P/D3C-P4575R4R715231Z15/2N	3.0x3.0x0.63	1.5-2.3	150	Deep Red	645-675	65	-
XI3030P/F3C-P1545S2S520281Z15/2N	3.0x3.0x0.63	2.0-2.8	150	Far Red	715-745	110	-

Low Middle Power LED | 67-21S (2835)



UNIT : mm



0.2W / 3V / 65mA

Product	Size (LxWxHmm)	Forward Voltage (V)	Forward Current (mA)	Color	CCT (K)	Luminous Flux (Min.)	Luminous Flux (Typ.)	CRI (min.)
67-21S/KK4C-M2727V7X72532U6/2T	2.8x3.5x0.7	2.5 - 3.2	65	● Warm White	2700K	27	32	80
67-21S/KK4C-M3030V8X82532U6/2T	2.8x3.5x0.7	2.5 - 3.2	65	● Warm White	3000K	28	33	80
67-21S/KK4C-M3535V8X82532U6/2T	2.8x3.5x0.7	2.5-3.2	65	● Warm White	3500K	28	33	80
67-21S/KK4C-M4040V9X92532U6/2T	2.8x3.5x0.7	2.5 - 3.2	65	○ Neutral White	4000K	29	34	80
67-21S/KK4C-M5050X0Y02532U6/2T	2.8x3.5x0.7	2.5 - 3.2	65	○ Cool White	5000K	30	35	80
67-21S/KK4C-M5757X0Y02532U6/2T	2.8x3.5x0.7	2.5 - 3.2	65	○ Cool White	5700K	30	35	80
67-21S/KK4C-M6565V9X92532U6/2T	2.8x3.5x0.7	2.5 - 3.2	65	○ Cool White	6500K	29	34	80

0.2W / 3V / 65mA

Product	Size (LxWxHmm)	Forward Voltage (V)	Forward Current (mA)	Color	CCT (K)	Luminous Flux (Min.)	Luminous Flux (Typ.)	CRI (min.)
67-21S/KK5C-3M2727V8X82530U6/2T	2.8x3.5x0.7	2.5 - 3.0	65	● Warm White	2700K	28	33	80
67-21S/KK5C-3M3030V9X92530U6/2T	2.8x3.5x0.7	2.5 - 3.0	65	● Warm White	3000K	29	34	80
67-21S/KK5C-3M3535V9X92530U6/2T	2.8x3.5x0.7	2.5 - 3.0	65	● Warm White	3500K	29	34	80
67-21S/KK5C-3M4040X0Y02530U6/2T	2.8x3.5x0.7	2.5 - 3.0	65	○ Neutral White	4000K	30	35	80
67-21S/KK5C-3M5050X1Y12530U6/2T	2.8x3.5x0.7	2.5 - 3.0	65	○ Cool White	5000K	31	36	80
67-21S/KK5C-3M5757X1Y12530U6/2T	2.8x3.5x0.7	2.5 - 3.0	65	○ Cool White	5700K	31	36	80
67-21S/KK5C-3M6565X0Y02530U6/2T	2.8x3.5x0.7	2.5 - 3.0	65	○ Cool White	6500K	30	35	80

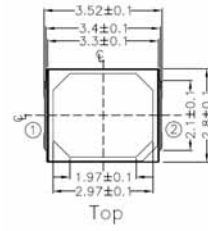
0.2W / 3V / 60mA

Product	Size (LxWxHmm)	Forward Voltage (V)	Forward Current (mA)	Color	CCT (K)	Luminous Flux (Min.)	Luminous Flux (Typ.)	CRI (min.)
67-21S/KK4C-H2727M4N42833Z6/2T	2.8x3.5x0.7	2.8 - 3.3	60	● Warm White	2700K	21	26	80
67-21S/KK4C-H3030M4P32833Z6/2T	2.8x3.5x0.7	2.8 - 3.3	60	● Warm White	3000K	23	31	80
67-21S/KK4C-H3535M4P32833Z6/2T	2.8x3.5x0.7	2.8 - 3.3	60	● Warm White	3500K	23	31	80
67-21S/KK4C-H4040N3P32833Z6/2T	2.8x3.5x0.7	2.8 - 3.3	60	○ Neutral White	4000K	24	31	80
67-21S/KK4C-H5050N31P32833Z6/2T	2.8x3.5x0.7	2.8 - 3.3	60	○ Cool White	5000K	25	32	80
67-21S/KK4C-H5757N31P32833Z6/2T	2.8x3.5x0.7	2.8 - 3.3	60	○ Cool White	5700K	25	32	80
67-21S/KK4C-H6262N3P32833Z6/2T	2.8x3.5x0.7	2.8 - 3.3	60	○ Cool White	6200K	24	31	80
67-21S/KK4C-H6565N3P32833Z6/2T	2.8x3.5x0.7	2.8 - 3.3	60	○ Cool White	6500K	24	31	80

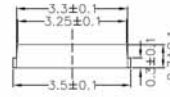
Low Middle Power LED | 67-21S (2835)



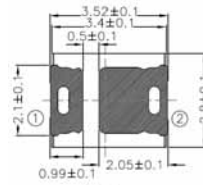
UNIT : mm



Top



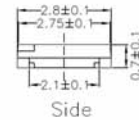
Side



Bottom

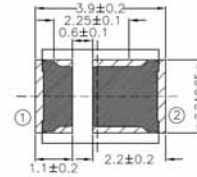


Polarity



Side

Recommend Soldering Pad



0.2W / 3V / 60mA

Product	Size (LxWxHmm)	Forward Voltage (V)	Forward Current (mA)	Color	CCT (K)	Luminous Flux (Min.)	Luminous Flux (Typ.)	CRI (min.)
67-21S/KK5C-H272333Z6/2T	2.8x3.5x0.7	2.8 - 3.3	60	● Warm White	2700K	23	NA	80
67-21S/KK5C-H302433Z6/2T	2.8x3.5x0.7	2.8 - 3.3	60	● Warm White	3000K	24	NA	80
67-21S/KK5C-H402633Z6/2T	2.8x3.5x0.7	2.8 - 3.3	60	○ Neutral White	4000K	26	NA	80
67-21S/KK5C-H502633Z6/2T	2.8x3.5x0.7	2.8 - 3.3	60	○ Cool White	5000K	26	NA	80
67-21S/KK5C-H572633Z6/2T	2.8x3.5x0.7	2.8 - 3.3	60	○ Cool White	5700K	26	NA	80
67-21S/KK5C-H652633Z6/2T	2.8x3.5x0.7	2.8 - 3.3	60	○ Cool White	6500K	26	NA	80

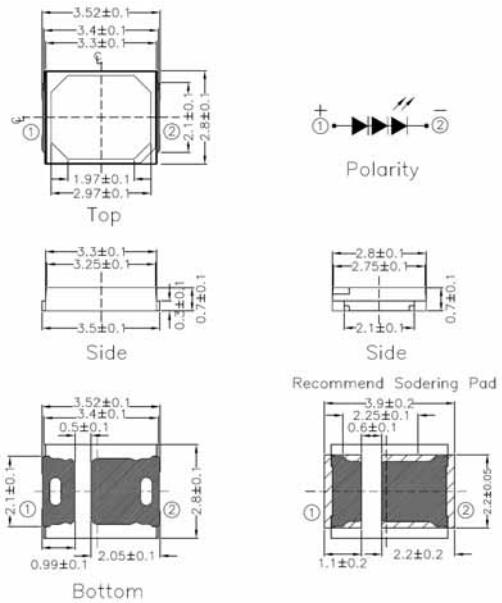
0.2W / 3V / 60mA

Product	Size (LxWxHmm)	Forward Voltage (V)	Forward Current (mA)	Color	CCT (K)	Luminous Flux (Min.)	Luminous Flux (Typ.)	CRI (min.)
67-21S/KK6C-H403933Z9/2T	2.8x3.5x0.7	2.8 - 3.3	60	○ Neutral White	4000K	23	NA	80
67-21S/KK6C-H503933Z9/2T	2.8x3.5x0.7	2.8 - 3.3	60	○ Cool White	5000K	24	NA	80
67-21S/KK6C-H653933Z9/2T	2.8x3.5x0.7	2.8 - 3.3	60	○ Cool White	6500K	26	NA	80

Low Middle Power LED | 67-21S (2835)



UNIT : mm



0.2W / 3V / 60mA

Product	Size (LxWxHmm)	Forward Voltage (V)	Forward Current (mA)	Color	CCT (K)	Luminous Flux (Min.)	Luminous Flux (Typ.)	CRI (min.)
67-21S/HK3C-H2727L8M42936Z6/2T	2.8x3.5x0.7	2.9 - 3.6	60	● Warm White	2700K	17	19	90
67-21S/HK3C-H3030L9N32936Z6/2T	2.8x3.5x0.7	2.9 - 3.6	60	● Warm White	3000K	18	20	90
67-21S/HK3C-H3535L9N32936Z6/2T	2.8x3.5x0.7	2.9 - 3.6	60	● Warm White	3500K	18	20	90
67-21S/HK3C-H4040M3N42936Z6/2T	2.8x3.5x0.7	2.9 - 3.6	60	○ Neutral White	4000K	19	21	90
67-21S/HK3C-H5050M3N42936Z6/2T	2.8x3.5x0.7	2.9 - 3.6	60	○ Cool White	5000K	20	22	90
67-21S/HK3C-H5757M3N42936Z6/2T	2.8x3.5x0.7	2.9 - 3.6	60	○ Cool White	5700K	20	22	90
67-21S/HK3C-H6565M3N42936Z6/2T	2.8x3.5x0.7	2.9 - 3.6	60	○ Cool White	6500K	20	22	90

0.2W / 3V / 60mA

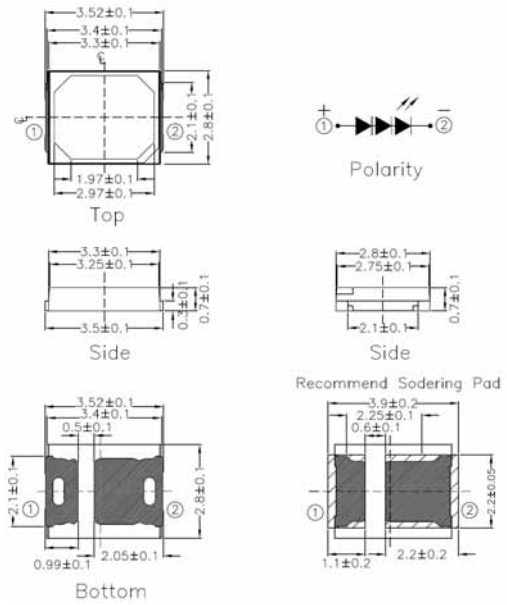
Product	Size (LxWxHmm)	Forward Voltage (V)	Forward Current (mA)	Color	CCT (K)	Luminous Flux (Min.)	Luminous Flux (Typ.)	CRI (min.)
67-21S/KK5C-H2727M42N4B2833Z6/2T	2.8x3.5x0.7	2.8 - 3.3	60	● Warm White	2700K	23	25	80
67-21S/KK5C-H3030N3N4B2833Z6/2T	2.8x3.5x0.7	2.8 - 3.3	60	● Warm White	3000K	24	26	80
67-21S/KK5C-H3535N3N4B2833Z6/2T	2.8x3.5x0.7	2.8 - 3.3	60	● Warm White	3500K	24	26	80
67-21S/KK5C-H4040N3P02833Z6/2T	2.8x3.5x0.7	2.8 - 3.3	60	○ Neutral White	4000K	25	28	80
67-21S/KK5C-H5050N3P02833Z6/2T	2.8x3.5x0.7	2.8 - 3.3	60	○ Cool White	5000K	26	29	80
67-21S/KK5C-H5757N3P02833Z6/2T	2.8x3.5x0.7	2.8 - 3.3	60	○ Cool White	5700K	26	29	80
67-21S/KK5C-H6060N3P02833Z6/2T	2.8x3.5x0.7	2.8 - 3.3	60	○ Cool White	6000K	26	29	80
67-21S/KK5C-H6565N3P02833Z6/2T	2.8x3.5x0.7	2.8 - 3.3	60	○ Cool White	6500K	26	29	80

Low Middle Power LED

Low Middle Power LED | 67-21S (2835)



UNIT : mm



0.5W / 3V / 150mA

Product	Size (LxWxHmm)	Forward Voltage (V)	Forward Current (mA)	Color	CCT (K)	Luminous Flux (Min.)	Luminous Flux (Typ.)	CRI (min.)
67-21S/HK4C-H2727QA1R32834Z15/2T	2.8x3.5x0.7	2.8 - 3.4	150	● Warm White	2700K	47	52	90
67-21S/HK4C-H3030R1R42834Z15/2T	2.8x3.5x0.7	2.8 - 3.4	150	● Warm White	3000K	50	55	90
67-21S/HK4C-H4040R11R42834Z15/2T	2.8x3.5x0.7	2.8 - 3.4	150	○ Neutral White	4000K	53	58	90
67-21S/HK4C-H5050R2R52834Z15/2T	2.8x3.5x0.7	2.8 - 3.4	150	○ Cool White	5000K	55	61	90
67-21S/HK4C-H5757R2R52834Z15/2T	2.8x3.5x0.7	2.8 - 3.4	150	○ Cool White	5700K	55	61	90
67-21S/HK4C-H6565R2R52834Z15/2T	2.8x3.5x0.7	2.8 - 3.4	150	○ Cool White	6500K	55	61	90

0.5W / 3V / 150mA

Product	Size (LxWxHmm)	Forward Voltage (V)	Forward Current (mA)	Color	CCT (K)	Luminous Flux (Min.)	Luminous Flux (Typ.)	CRI (min.)
67-21S/KK5C-H2727R2R52834Z15/2T	2.8x3.5x0.7	2.8 - 3.4	150	● Warm White	2700K	55	65	80
67-21S/KK5C-H3030R3R62834Z15/2T	2.8x3.5x0.7	2.8 - 3.4	150	● Warm White	3000K	60	71	80
67-21S/KK5C-H4040R3R62834Z15/2T	2.8x3.5x0.7	2.8 - 3.4	150	○ Neutral White	4000K	60	71	80
67-21S/KK5C-H5050R4R72834Z15/2T	2.8x3.5x0.7	2.8 - 3.4	150	○ Cool White	5000K	65	71	80
67-21S/KK5C-H5757R4R72834Z15/2T	2.8x3.5x0.7	2.8 - 3.4	150	○ Cool White	5700K	65	77	80
67-21S/KK5C-H6565R4R72834Z15/2T	2.8x3.5x0.7	2.8 - 3.4	150	○ Cool White	6500K	65	77	80

0.5W / 3V / 150mA

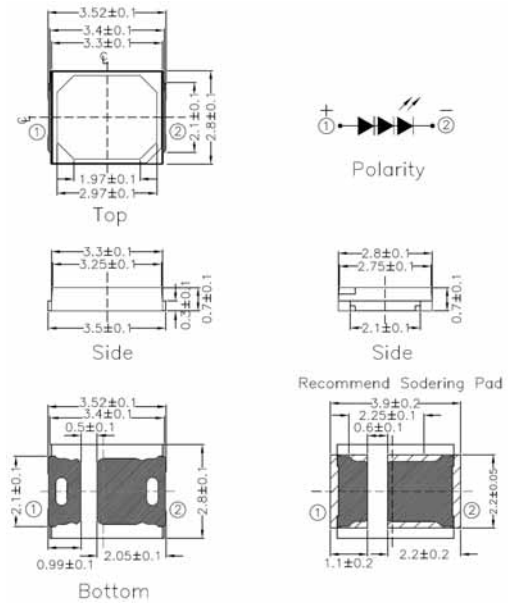
Product	Size (LxWxHmm)	Forward Voltage (V)	Forward Current (mA)	Color	CCT (K)	Luminous Flux (Min.)	Luminous Flux (Typ.)	CRI (min.)
67-21S/KK6C-H2727R3R62834Z15/2T	2.8x3.5x0.7	2.8 - 3.4	150	● Warm White	2700K	60	71	80
67-21S/KK6C-H3030R4R72834Z15/2T	2.8x3.5x0.7	2.8 - 3.4	150	● Warm White	3000K	65	77	80
67-21S/KK6C-H4040R4R72834Z15/2T	2.8x3.5x0.7	2.8 - 3.4	150	○ Neutral White	4000K	65	77	80
67-21S/KK6C-H4545R5R82834Z15/2T	2.8x3.5x0.7	2.8 - 3.4	150	○ Cool White	4500K	70	85	80
67-21S/KK6C-H5050R5R82834Z15/2T	2.8x3.5x0.7	2.8 - 3.4	150	○ Cool White	5000K	70	85	80
67-21S/KK6C-H5757R5R82834Z15/2T	2.8x3.5x0.7	2.8 - 3.4	150	○ Cool White	5700K	70	85	80
67-21S/KK6C-H6565R5R82834Z15/2T	2.8x3.5x0.7	2.8 - 3.4	150	○ Cool White	6500K	70	85	80

Low Middle Power LED

Low Middle Power LED | 67-22ST (2835)



UNIT : mm



0.2W / 3V / 65mA

Product	Size (LxWxHmm)	Forward Voltage (V)	Forward Current (mA)	Color	CCT (K)	Luminous Flux (Min.)	Luminous Flux (Typ.)	CRI (min.)
67-22ST/KK6C-M2727X0Y02530U6/2T	2.8x3.5x0.7	2.5 - 3.0	65	● Warm White	2700	30	35	80
67-22ST/KK6C-M3030X1Y12530U6/2T	2.8x3.5x0.7	2.5 - 3.0	65	● Warm White	3000	31	36	80
67-22ST/KK6C-M3535X1Y12530U6/2T	2.8x3.5x0.7	2.5 - 3.0	65	● Warm White	3500	31	36	80
67-22ST/KK6C-M4040X2Y22530U6/2T	2.8x3.5x0.7	2.5 - 3.0	65	○ Neutral White	4000	32	37	80
67-22ST/KK6C-M5050X3Y32530U6/2T	2.8x3.5x0.7	2.5 - 3.0	65	○ Cool White	5000	33	38	80
67-22ST/KK6C-M5757X3Y32530U6/2T	2.8x3.5x0.7	2.5 - 3.0	65	○ Cool White	5700	33	38	80
67-22ST/KK6C-M6565X2Y22530U6/2T	2.8x3.5x0.7	2.5 - 3.0	65	○ Cool White	6500	32	37	80

0.5W / 18V / 30mA

Product	Size (LxWxHmm)	Forward Voltage (V)	Forward Current (mA)	Color	CCT (K)	Luminous Flux (Min.)	Luminous Flux (Typ.)	CRI (min.)
67-22ST/KK2C-H2727R3R5A7A9Z3/2T	2.8x3.5x0.7	17.0 - 20.0	30	● Warm White	2700	60	68	80
67-22ST/KK2C-H3030R4R6A7A9Z3/2T	2.8x3.5x0.7	17.0 - 20.0	30	● Warm White	3000	65	74	80
67-22ST/KK2C-H4040R41R6A7A9Z3/2T	2.8x3.5x0.7	17.0 - 20.0	30	● Warm White	4000	67	75	80
67-22ST/KK2C-H5050R41R6A7A9Z3/2T	2.8x3.5x0.7	17.0 - 20.0	30	○ Cool White	5000	67	75	80
67-22ST/KK2C-H5757R41R6A7A9Z3/2T	2.8x3.5x0.7	17.0 - 20.0	30	○ Cool White	5700	67	75	80
67-22ST/KK2C-H6565R41R6A7A9Z3/2T	2.8x3.5x0.7	17.0 - 20.0	30	○ Cool White	6500	67	75	80

1W / 18V / 50mA

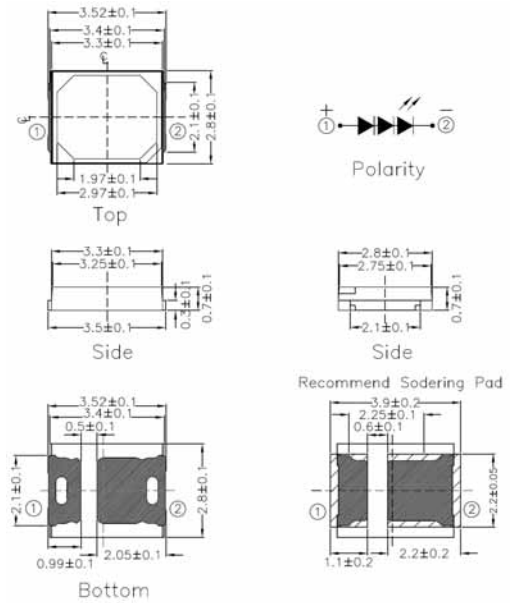
Product	Size (LxWxHmm)	Forward Voltage (V)	Forward Current (mA)	Color	CCT (K)	Luminous Flux (Min.)	Luminous Flux (Typ.)	CRI (min.)
67-22ST/KK2C-H3030S1BS5A7A9Z5/2T	2.8x3.5x0.7	17.0 - 20.0	50	● Warm White	3000	105	127	80
67-22ST/KK2C-H4040S2S6A7A9Z5/2T	2.8x3.5x0.7	17.0 - 20.0	50	○ Neutral White	4000	110	135	80
67-22ST/KK2C-H5050S2S6A7A9Z5/2T	2.8x3.5x0.7	17.0 - 20.0	50	○ Cool White	5000	110	135	80

Low Middle Power LED

Low Middle Power LED | 67-22ST (2835)



UNIT : mm



1W / 18V / 50mA

Product	Size (LxWxHmm)	Forward Voltage (V)	Forward Current (mA)	Color	CCT (K)	Luminous Flux (Min.)	Luminous Flux (Typ.)	CRI (min.)
67-22ST/KK3C-H27110200Z5/2T	2.8x3.5x0.7	17.0 - 20.0	50	● Warm White	2700K	110	NA	80
67-22ST/KK3C-H30115200Z5/2T	2.8x3.5x0.7	17.0 - 20.0	50	● Warm White	3000K	115	NA	80
67-22ST/KK3C-H40120200Z5/2T	2.8x3.5x0.7	17.0 - 20.0	50	○ Neutral White	4000K	120	NA	80
67-22ST/KK3C-H50125200Z5/2T	2.8x3.5x0.7	17.0 - 20.0	50	○ Cool White	5000K	125	NA	80
67-22ST/KK3C-H57125200Z5/2T	2.8x3.5x0.7	17.0 - 20.0	50	○ Cool White	5700K	125	NA	80
67-22ST/KK3C-H65120200Z5/2T	2.8x3.5x0.7	17.0 - 20.0	50	○ Cool White	6500K	120	NA	80

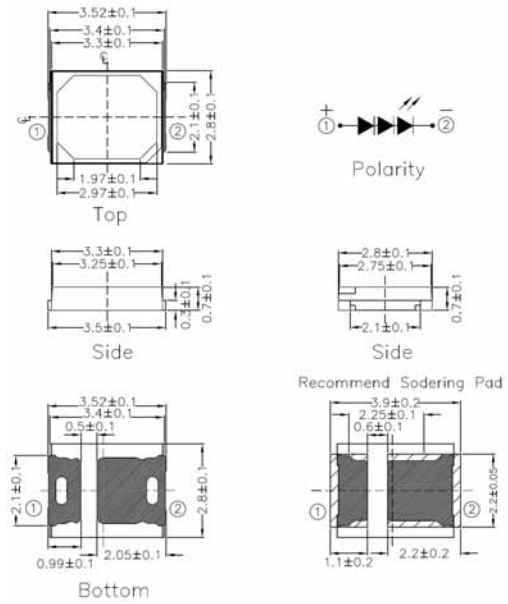
1W / 18V / 50mA

Product	Size (LxWxHmm)	Forward Voltage (V)	Forward Current (mA)	Color	CCT (K)	Luminous Flux (Min.)	Luminous Flux (Typ.)	CRI (min.)
67-22ST/KK4C-H27115200Z5/2T	2.8x3.5x0.7	17.0 - 20.0	50	● Warm White	2700K	115	NA	80
67-22ST/KK4C-H27120200Z5/2T	2.8x3.5x0.7	17.0 - 20.0	50	● Warm White	3000K	120	NA	80
67-22ST/KK4C-H27125200Z5/2T	2.8x3.5x0.7	17.0 - 20.0	50	○ Neutral White	4000K	125	NA	80
67-22ST/KK4C-H27130200Z5/2T	2.8x3.5x0.7	17.0 - 20.0	50	○ Cool White	5000K	130	NA	80
67-22ST/KK4C-H27130200Z5/2T	2.8x3.5x0.7	17.0 - 20.0	50	○ Cool White	5700K	130	NA	80
67-22ST/KK4C-H27125200Z5/2T	2.8x3.5x0.7	17.0 - 20.0	50	○ Cool White	6500K	125	NA	80

Low Middle Power LED | 67-22ST (2835)



UNIT : mm



0.5W / 6V / 80mA

Product	Size (LxWxHmm)	Forward Voltage (V)	Forward Current (mA)	Color	CCT (K)	Luminous Flux (Min.)	Luminous Flux (Typ.)	CRI (min.)
67-22ST/KK3C-H2727R2BR55624Z8/2T	2.8x3.5x0.7	5.6 - 7.0	80	● Warm White	2700K	55	70	80
67-22ST/KK3C-H3030R3R55664Z8/2T	2.8x3.5x0.7	5.6 - 7.0	80	● Warm White	3000K	60	71	80
67-22ST/KK3C-H4040R3R65664Z8/2T	2.8x3.5x0.7	5.6 - 7.0	80	○ Neutral White	4000K	60	71	80
67-22ST/KK3C-H5050R3R65664Z8/2T	2.8x3.5x0.7	5.6 - 7.0	80	○ Cool White	5000K	65	72	80
67-22ST/KK3C-H6565R3R65664Z8/2T	2.8x3.5x0.7	5.6 - 7.0	80	○ Cool White	6500K	65	72	80

0.5W / 18V / 30mA

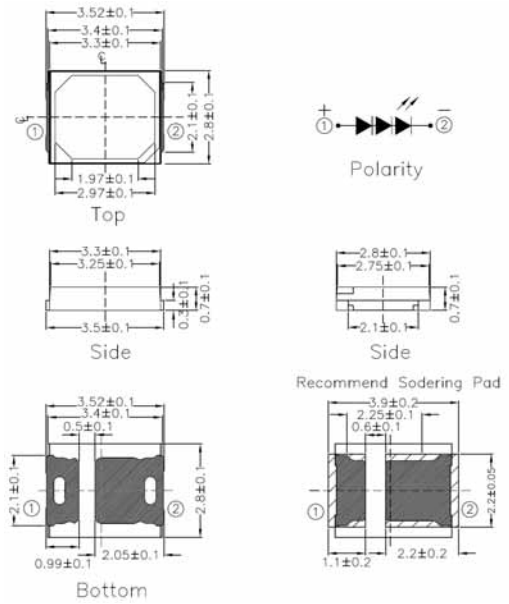
Product	Size (LxWxHmm)	Forward Voltage (V)	Forward Current (mA)	Color	CCT (K)	Luminous Flux (Min.)	Luminous Flux (Typ.)	CRI (min.)
67-22ST/KK4C-H2727R4R7A7A9Z3/2T	2.8x3.5x0.7	17 - 19	30	● Warm White	2700K	65	72	80
67-22ST/KK4C-H3030R5R8A7A9Z3/2T	2.8x3.5x0.7	17 - 19	30	● Warm White	3000K	70	77	80
67-22ST/KK4C-H3535R5R8A7A9Z3/2T	2.8x3.5x0.7	17 - 19	30	● Warm White	3500K	70	77	80
67-22ST/KK4C-H4040R5R8A7A9Z3/2T	2.8x3.5x0.7	17 - 19	30	○ Neutral White	4000K	70	77	80
67-22ST/KK4C-H5050R5R8A7A9Z3/2T	2.8x3.5x0.7	17 - 19	30	○ Cool White	5000K	73	80	80
67-22ST/KK4C-H5757R5R8A7A9Z3/2T	2.8x3.5x0.7	17 - 19	30	○ Cool White	5700K	73	80	80
67-22ST/KK4C-H6565R5R8A7A9Z3/2T	2.8x3.5x0.7	17 - 19	30	○ Cool White	6500K	70	77	80

Low Middle Power LED

Low Middle Power LED | 67-22ST (2835)



UNIT : mm



1W / 6V / 150mA

Product	Size (LxWxHmm)	Forward Voltage (V)	Forward Current (mA)	Color	CCT (K)	Luminous Flux (Min.)	Luminous Flux (Typ.)	CRI (min.)
67-22ST/HK4C-H2727R8S25868Z15/2T	2.8x3.5x0.7	5.8 - 6.8	150	● Warm White	2700	90	99	90
67-22ST/HK4C-H3030R8BS35868Z15/2T	2.8x3.5x0.7	5.8 - 6.8	150	● Warm White	3000	95	105	90
67-22ST/HK4C-H4040S1S45868Z15/2T	2.8x3.5x0.7	5.8 - 6.8	150	○ Neutral White	4000	100	110	90
67-22ST/HK4C-H5050S1S45868Z15/2T	2.8x3.5x0.7	5.8 - 6.8	150	○ Cool White	5000	100	110	90
67-22ST/HK4C-H5757S1S45868Z15/2T	2.8x3.5x0.7	5.8 - 6.8	150	○ Cool White	5700	100	110	90
67-22ST/HK4C-H6565S1S45868Z15/2T	2.8x3.5x0.7	5.8 - 6.8	150	○ Cool White	6500	100	110	90

1W / 6V / 150mA

Product	Size (LxWxHmm)	Forward Voltage (V)	Forward Current (mA)	Color	CCT (K)	Luminous Flux (Min.)	Luminous Flux (Typ.)	CRI (min.)
67-22ST/KK5C-H2727S3S75668Z15/2T	2.8x3.5x0.7	5.6 - 6.8	150	● Warm White	2700	120	132	80
67-22ST/KK5C-H3030S3BS75668Z15/2T	2.8x3.5x0.7	5.6 - 6.8	150	● Warm White	3000	125	138	80
67-22ST/KK5C-H3535S3BS75668Z15/2T	2.8x3.5x0.7	5.6 - 6.8	150	● Warm White	3500	125	138	80
67-22ST/KK5C-H4040S3BS75668Z15/2T	2.8x3.5x0.7	5.6 - 6.8	150	○ Neutral White	4000	125	138	80
67-22ST/KK5C-H5050S4S85668Z15/2T	2.8x3.5x0.7	5.6 - 6.8	150	○ Cool White	5000	130	143	80
67-22ST/KK5C-H6565S4S85668Z15/2T	2.8x3.5x0.7	5.6 - 6.8	150	○ Cool White	6500	130	143	80

1W / 6V / 150mA

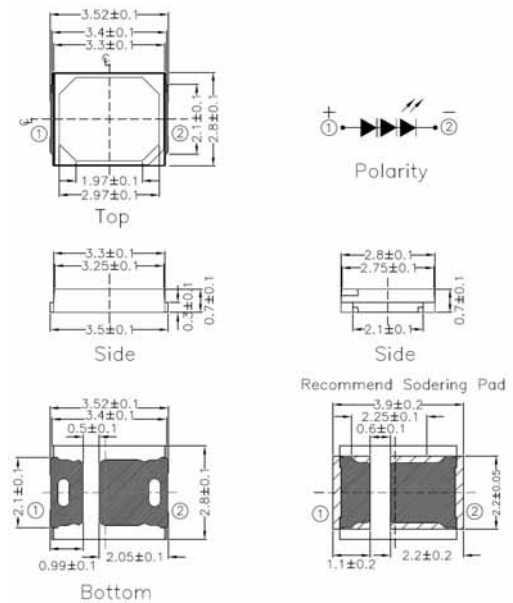
Product	Size (LxWxHmm)	Forward Voltage (V)	Forward Current (mA)	Color	CCT (K)	Luminous Flux (Min.)	Luminous Flux (Typ.)	CRI (min.)
67-22ST/KK4C-H2727S2BS65670Z15/2T	2.8x3.5x0.7	5.6 - 6.8	150	● Warm White	2700	115	137	80
67-22ST/KK4C-H3030S3S75670Z15/2T	2.8x3.5x0.7	5.6 - 6.8	150	● Warm White	3000	120	145	80
67-22ST/KK4C-H4040S3S75670Z15/2T	2.8x3.5x0.7	5.6 - 6.8	150	○ Neutral White	3500	120	145	80
67-22ST/KK4C-H5050S3BS75670Z15/2T	2.8x3.5x0.7	5.6 - 6.8	150	○ Cool White	4000	125	147	80
67-22ST/KK4C-H6565S3BS75670Z15/2T	2.8x3.5x0.7	5.6 - 6.8	150	○ Cool White	6500	125	147	80

Low Middle Power LED

Low Middle Power LED | 67-23ST (2835)



UNIT : mm



0.2W / 3V / 60mA

Product	Size (LxWxHmm)	Forward Voltage (V)	Forward Current (mA)	Color	CCT (K)	Luminous Flux (Min.)	Luminous Flux (Typ.)	CRI (min.)
67-23S/KK7C-H272830Z6/2T	2.8x3.5x0.7	2.6 - 3.0	60	● Warm White	2700K	28	NA	80
67-23S/KK7C-H303030Z6/2T	2.8x3.5x0.7	2.6 - 3.0	60	● Warm White	3000K	30	NA	80
67-23S/KK7C-H353030Z6/2T	2.8x3.5x0.7	2.6 - 3.0	60	● Warm White	3500K	30	NA	80
67-23S/KK7C-H403230Z6/2T	2.8x3.5x0.7	2.6 - 3.0	60	○ Neutral White	4000K	32	NA	80
67-23S/KK7C-H503230Z6/2T	2.8x3.5x0.7	2.6 - 3.0	60	○ Cool White	5000K	32	NA	80
67-23S/KK7C-H573230Z6/2T	2.8x3.5x0.7	2.6 - 3.0	60	○ Cool White	5700K	32	NA	80
67-23S/KK7C-H653230Z6/2T	2.8x3.5x0.7	2.6 - 3.0	60	○ Cool White	6500K	32	NA	80

0.2W / 3V / 60mA

Product	Size (LxWxHmm)	Forward Voltage (V)	Forward Current (mA)	Color	CCT (K)	Luminous Flux (Min.)	Luminous Flux (Typ.)	CRI (min.)
67-23S/KK8C-H403330Z6/2T	2.8x3.5x0.7	2.6 - 3.0	60	○ Cool White	2700K	33	NA	80
67-23S/KK8C-H503330Z6/2T	2.8x3.5x0.7	2.6 - 3.0	60	○ Cool White	3000K	33	NA	80
67-23S/KK8C-H653330Z6/2T	2.8x3.5x0.7	2.6 - 3.0	60	○ Cool White	4000K	33	NA	80

0.5W / 9V / 60mA

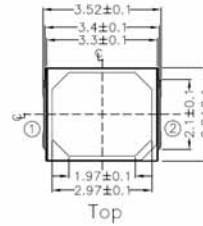
Product	Size (LxWxHmm)	Forward Voltage (V)	Forward Current (mA)	Color	CCT (K)	Luminous Flux (Min.)	Luminous Flux (Typ.)	CRI (min.)
67-23ST/KK4C-H2727R5R88496Z6/2T	2.8x3.5x0.7	8.4 - 9.6	60	● Warm White	2700K	70	77	80
67-23ST/KK4C-H3030R5BR88496Z6/2T	2.8x3.5x0.7	8.4 - 9.6	60	● Warm White	3000K	73	80	80
67-23ST/KK4C-H4040R6S18496Z6/2T	2.8x3.5x0.7	8.4 - 9.6	60	○ Neutral White	4000K	76	84	80
67-23ST/KK4C-H5050R6S18496Z6/2T	2.8x3.5x0.7	8.4 - 9.6	60	○ Cool White	5000K	76	84	80
67-23ST/KK4C-H5757R6S18496Z6/2T	2.8x3.5x0.7	8.4 - 9.6	60	○ Cool White	5700K	76	84	80
67-23ST/KK4C-H6060R6S18496Z6/2T	2.8x3.5x0.7	8.4 - 9.6	60	○ Cool White	6000K	76	84	80
67-23ST/KK4C-H6565R6S18496Z6/2T	2.8x3.5x0.7	8.4 - 9.6	60	○ Cool White	6500K	76	84	80

Low Middle Power LED

Low Middle Power LED | 67-23ST (2835)



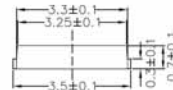
UNIT : mm



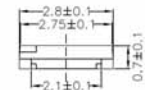
Top



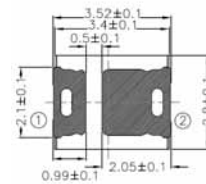
Polarity



Side

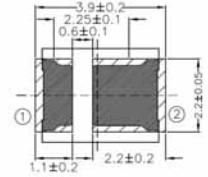


Side



Bottom

Recommend Soldering Pad



1W / 9V / 100mA

Product	Size (LxWxHmm)	Forward Voltage (V)	Forward Current (mA)	Color	CCT (K)	Luminous Flux (Min.)	Luminous Flux (Typ.)	CRI (min.)
67-23ST/KK3C-H2727S2S59099Z10/2T	2.8x3.5x0.7	9.0 - 9.9	100	● Warm White	2700K	110	121	80
67-23ST/KK3C-H3030S2BS59099Z10/2T	2.8x3.5x0.7	9.0 - 9.9	100	● Warm White	3000K	115	127	80
67-23ST/KK3C-H3535S2BS59099Z10/2T	2.8x3.5x0.7	9.0 - 9.9	100	● Warm White	3500K	115	127	80
67-23ST/KK3C-H4040S2BS59099Z10/2T	2.8x3.5x0.7	9.0 - 9.9	100	○ Neutral White	4000K	115	127	80
67-23ST/KK3C-H5050S3S69099Z10/2T	2.8x3.5x0.7	9.0 - 9.9	100	○ Cool White	5000K	120	132	80
67-23ST/KK3C-H5757S3S69099Z10/2T	2.8x3.5x0.7	9.0 - 9.9	100	○ Cool White	5700K	120	132	80
67-23ST/KK3C-H6565S3S69099Z10/2T	2.8x3.5x0.7	9.0 - 9.9	100	○ Cool White	6500K	120	132	80

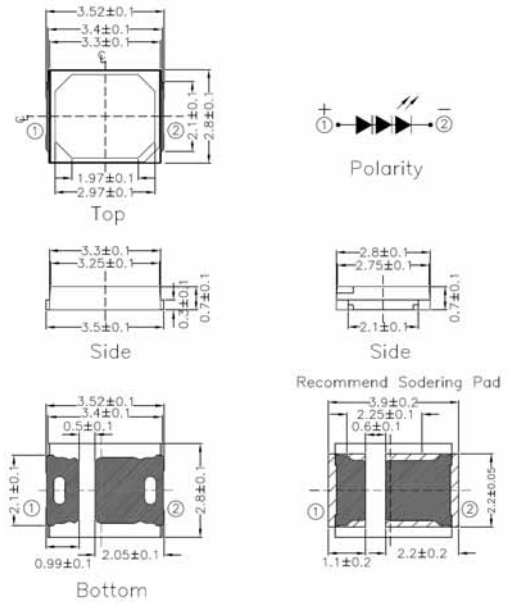
1W / 9V / 100mA

Product	Size (LxWxHmm)	Forward Voltage (V)	Forward Current (mA)	Color	CCT (K)	Luminous Flux (Min.)	Luminous Flux (Typ.)	CRI (min.)
67-23ST/KK4C-H2727S2BS59099Z10/2T	2.8x3.5x0.7	9.0 - 9.9	100	● Warm White	2700K	115	127	80
67-23ST/KK4C-H3030S3S69099Z10/2T	2.8x3.5x0.7	9.0 - 9.9	100	● Warm White	3000K	120	132	80
67-23ST/KK4C-H3535S3S69099Z10/2T	2.8x3.5x0.7	9.0 - 9.9	100	● Warm White	3500K	120	132	80
67-23ST/KK4C-H4040S3S69099Z10/2T	2.8x3.5x0.7	9.0 - 9.9	100	○ Neutral White	4000K	120	132	80
67-23ST/KK4C-H5050S3BS69099Z10/2T	2.8x3.5x0.7	9.0 - 9.9	100	○ Cool White	5000K	125	138	80
67-23ST/KK4C-H5757S3BS69099Z10/2T	2.8x3.5x0.7	9.0 - 9.9	100	○ Cool White	5700K	125	138	80
67-23ST/KK4C-H6565S3BS69099Z10/2T	2.8x3.5x0.7	9.0 - 9.9	100	○ Cool White	6500K	125	138	80

Low Middle Power LED | 67-23ST (2835)



UNIT : mm



1W / 9V / 100mA

Product	Size (LxWxHmm)	Forward Voltage (V)	Forward Current (mA)	Color	CCT (K)	Luminous Flux (Min.)	Luminous Flux (Typ.)	CRI (min.)
67-23ST/KK5C-H2712096Z10/2T	2.8x3.5x0.7	8.7 - 9.6	100	● Warm White	2700K	120	NA	80
67-23ST/KK5C-H3512596Z10/2T	2.8x3.5x0.7	8.7 - 9.6	100	● Warm White	3500K	125	NA	80
67-23ST/KK5C-H5013096Z10/2T	2.8x3.5x0.7	8.7 - 9.6	100	○ Cool White	5000K	130	NA	80
67-23ST/KK5C-H5713096Z10/2T	2.8x3.5x0.7	8.7 - 9.6	100	○ Cool White	5700K	130	NA	80
67-23ST/KK5C-H6513096Z10/2T	2.8x3.5x0.7	8.7 - 9.6	100	○ Cool White	6500K	130	NA	80

1W / 9V / 100mA

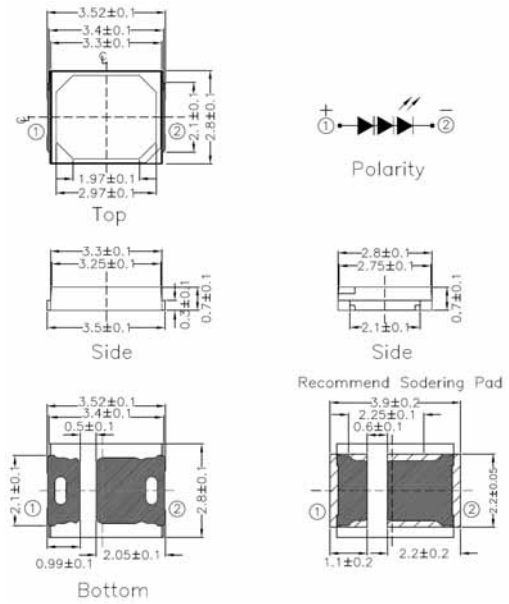
Product	Size (LxWxHmm)	Forward Voltage (V)	Forward Current (mA)	Color	CCT (K)	Luminous Flux (Min.)	Luminous Flux (Typ.)	CRI (min.)
67-23ST/KKE-E2711099Z10/2T	2.8x3.5x0.7	8.7 - 9.9	100	● Warm White	2700K	110	NA	80
67-23ST/KKE-E2711599Z10/2T	2.8x3.5x0.7	8.7 - 9.9	100	● Warm White	2700K	115	NA	80
67-23ST/KKE-E3011599Z10/2T	2.8x3.5x0.7	8.7 - 9.9	100	● Warm White	3000K	115	NA	80
67-23ST/KKE-E3012099Z10/2T	2.8x3.5x0.7	8.7 - 9.9	100	● Warm White	3000K	120	NA	80
67-23ST/KKE-E4012099Z10/2T	2.8x3.5x0.7	8.7 - 9.9	100	○ Neutral White	4000K	120	NA	80
67-23ST/KKE-E4012599Z10/2T	2.8x3.5x0.7	8.7 - 9.9	100	○ Neutral White	4000K	125	NA	80
67-23ST/KKE-E5012099Z10/2T	2.8x3.5x0.7	8.7 - 9.9	100	○ Cool White	5000K	120	NA	80
67-23ST/KKE-E5012599Z10/2T	2.8x3.5x0.7	8.7 - 9.9	100	○ Cool White	5000K	125	NA	80
67-23ST/KKE-E5712099Z10/2T	2.8x3.5x0.7	8.7 - 9.9	100	○ Cool White	5700K	120	NA	80
67-23ST/KKE-E5712599Z10/2T	2.8x3.5x0.7	8.7 - 9.9	100	○ Cool White	5700K	125	NA	80
67-23ST/KKE-E6512099Z10/2T	2.8x3.5x0.7	8.7 - 9.9	100	○ Cool White	6500K	120	NA	80
67-23ST/KKE-E6512599Z10/2T	2.8x3.5x0.7	8.7 - 9.9	100	○ Cool White	6500K	125	NA	80

Low Middle Power LED

Low Middle Power LED | 67-24ST (2835)



UNIT : mm



0.5W / 12V / 80mA

Product	Size (LxWxHmm)	Forward Voltage (V)	Forward Current (mA)	Color	CCT (K)	Luminous Flux (Min.)	Luminous Flux (Typ.)	CRI (min.)
67-24ST/KK4C-H27115130Z8/2T	2.8x3.5x0.7	11.0 - 13.0	80	● Warm White	2700K	115	NA	80
67-24ST/KK4C-H30120130Z8/2T	2.8x3.5x0.7	11.0 - 13.0	80	● Warm White	3000K	120	NA	80
67-24ST/KK4C-H35120130Z8/2T	2.8x3.5x0.7	11.0 - 13.0	80	○ Neutral White	3500K	120	NA	80
67-24ST/KK4C-H40125130Z8/2T	2.8x3.5x0.7	11.0 - 13.0	80	○ Cool White	4000K	125	NA	80
67-24ST/KK4C-H50125130Z8/2T	2.8x3.5x0.7	11.0 - 13.0	80	○ Cool White	5000K	125	NA	80
67-24ST/KK4C-H57125130Z8/2T	2.8x3.5x0.7	11.0 - 13.0	80	○ Cool White	5700K	125	NA	80
67-24ST/KK4C-H65125130Z8/2T	2.8x3.5x0.7	11.0 - 13.0	80	○ Cool White	6500K	125	NA	80

1W / 12V / 80mA

Product	Size (LxWxHmm)	Forward Voltage (V)	Forward Current (mA)	Color	CCT (K)	Typ. Luminous Flux (lm) @ 80mA	CRI (min.)	
67-24ST/KK4C-H27115130Z8/2T	2.8x3.5x0.7	11.0 - 13.0	80	● Warm White	2700K	115	127	80
67-24ST/KK4C-H30120130Z8/2T	2.8x3.5x0.7	11.0 - 13.0	80	● Warm White	3000K	120	132	80
67-24ST/KK4C-H35120130Z8/2T	2.8x3.5x0.7	11.0 - 13.0	80	● Warm White	3500K	120	132	80
67-24ST/KK4C-H40125130Z8/2T	2.8x3.5x0.7	11.0 - 13.0	80	○ Neutral White	4000K	125	138	80
67-24ST/KK4C-H50125130Z8/2T	2.8x3.5x0.7	11.0 - 13.0	80	○ Cool White	5000K	125	138	80
67-24ST/KK4C-H57125130Z8/2T	2.8x3.5x0.7	11.0 - 13.0	80	○ Cool White	5700K	125	138	80
67-24ST/KK4C-H65125130Z8/2T	2.8x3.5x0.7	11.0 - 13.0	80	○ Cool White	6500K	125	138	80

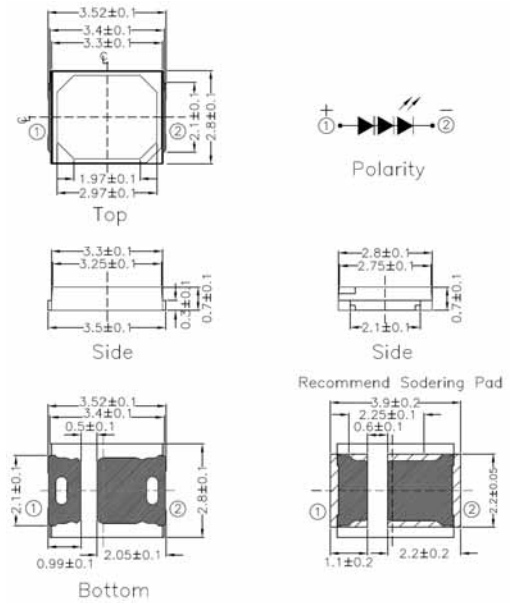
1W / 12V / 80mA

Product	Size (LxWxHmm)	Forward Voltage (V)	Forward Current (mA)	Color	CCT (K)	Luminous Flux (Min.)	Luminous Flux (Typ.)	CRI (min.)
67-24ST/KK5C-H27120130Z8/2T	2.8x3.5x0.7	11.0 - 13.0	80	● Warm White	2700K	120	NA	80

Low Middle Power LED | 67-24ST (2835)



UNIT : mm



1W / 12V / 80mA

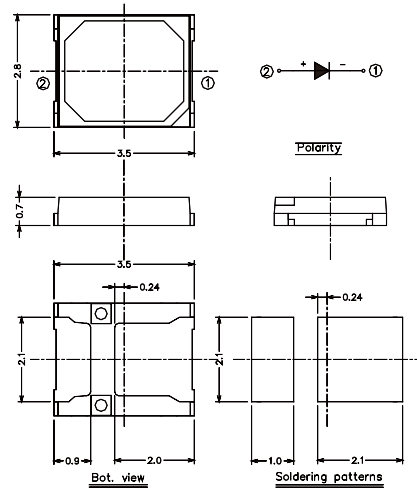
Product	Size (LxWxHmm)	Forward Voltage (V)	Forward Current (mA)	Color	CCT (K)	Luminous Flux (Min.)	Luminous Flux (Typ.)	CRI (min.)
67-24ST/KKE-H27115130Z8/2T	2.8x3.5x0.7	11.0 - 13.0	80	● Warm White	2700K	115	NA	80
67-24ST/KKE-H27120130Z8/2T	2.8x3.5x0.7	11.0 - 13.0	80	● Warm White	2700K	120	NA	80
67-24ST/KKE-H30120130Z8/2T	2.8x3.5x0.7	11.0 - 13.0	80	● Warm White	3000K	120	NA	80
67-24ST/KKE-H30125130Z8/2T	2.8x3.5x0.7	11.0 - 13.0	80	● Warm White	3000K	125	NA	80
67-24ST/KKE-H35120130Z8/2T	2.8x3.5x0.7	11.0 - 13.0	80	● Warm White	3500K	120	NA	80
67-24ST/KKE-H35125130Z8/2T	2.8x3.5x0.7	11.0 - 13.0	80	● Warm White	3500K	125	NA	80
67-24ST/KKE-H40120130Z8/2T	2.8x3.5x0.7	11.0 - 13.0	80	○ Neutral White	4000K	120	NA	80
67-24ST/KKE-H40125130Z8/2T	2.8x3.5x0.7	11.0 - 13.0	80	○ Neutral White	4000K	125	NA	80
67-24ST/KKE-H50125130Z8/2T	2.8x3.5x0.7	11.0 - 13.0	80	○ Cool White	5000K	125	NA	80
67-24ST/KKE-H50130130Z8/2T	2.8x3.5x0.7	11.0 - 13.0	80	○ Cool White	5000K	130	NA	80
67-24ST/KKE-H57125130Z8/2T	2.8x3.5x0.7	11.0 - 13.0	80	○ Cool White	5700K	125	NA	80
67-24ST/KKE-H57130130Z8/2T	2.8x3.5x0.7	11.0 - 13.0	80	○ Cool White	5700K	130	NA	80
67-24ST/KKE-H65125130Z8/2T	2.8x3.5x0.7	11.0 - 13.0	80	○ Cool White	6500K	125	NA	80
67-24ST/KKE-H65130130Z8/2T	2.8x3.5x0.7	11.0 - 13.0	80	○ Cool White	6500K	130	NA	80

Low Middle Power LED

Low Middle Power LED | Color 2835



UNIT : mm



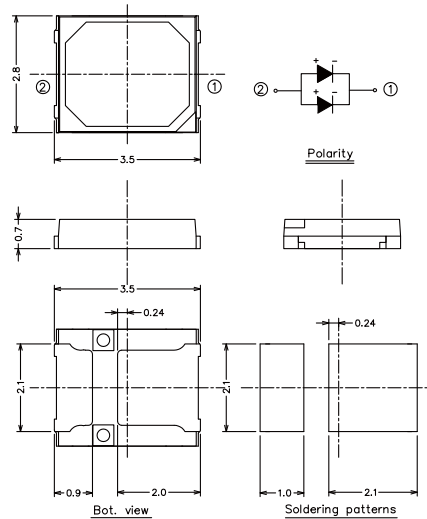
Color 2835 60mA

Product	Size (LxWxHmm)	Forward Voltage (V)	Forward Current (mA)	Color	Wavelength / CCT (nm) (K)	Luminous Flux (Min.)	Luminous Flux (Typ.)
67-21S/NFR2C-P2050A3B21522Z6/2T	2.8x3.5x0.7	1.5V-2.2V	60mA	● Far Red	720-750nm	15	25
67-21S/NDR2C-P5080B2C12029Z6/2T	2.8x3.5x0.7	2.0V-2.9V	60mA	● Deep Red	650-680nm	40	60
67-21S/R2C-D2030B8L31926Z6/2T	2.8x3.5x0.7	1.9V-2.6V	60mA	● Red	620-630nm	9	10
67-21S/Y2C-D8595B7L32128Z6/2T	2.8x3.5x0.7	2.1V-2.8V	60mA	● Amber	585-595nm	8.5	9.5
67-21S/B3C-D5060D5D72936Z6/2T	2.8x3.5x0.7	2.9V-3.6V	60mA	● Royal Blue	450-460nm	2.5	3
67-21S/YK2C-D1720L8M42833Z6/2T	2.8x3.5x0.7	2.8V-3.3V	60mA	● PC Amber	585-595nm (1700K-2000K)	17	19

Low Middle Power LED



UNIT : mm



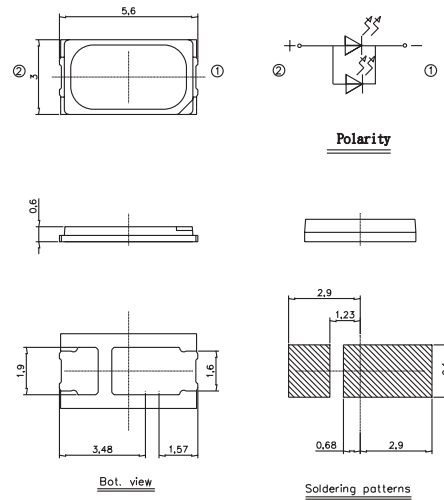
Color 2835 60mA

Product	Size (LxWxHmm)	Forward Voltage (V)	Forward Current (mA)	Color	Wavelength / CCT (nm) (K)	Luminous Flux (Min.)	Luminous Flux (Typ.)
67-22S/G2C-D1525L4L82934Z6/2T	2.8x3.5x0.7	2.9V-3.4V	60mA	● Green	515-525nm	13	15
67-22S/B2C-D6075D4D73037Z6/2T	2.8x3.5x0.7	3.0V-3.7V	60mA	● Blue	460-475nm	2	3
67-22ST/B2C-P3545D2D92936Z6/2T	2.8x3.5x0.7	2.9V-3.6V	60mA	● Violet	435-445nm	1	3

Low Middle Power LED | 62-227ET (5630 HE)



UNIT : mm



5630-KK7D / 0.2W

Product	Size (LxWxHmm)	Forward Voltage (V)	Forward Current (mA)	Color	CCT (K)	Luminous Flux (Min.)	Luminous Flux (Typ.)	CRI (min.)	Luminous Efficacy (lm/W)
62-227ET/KK7D-3M2727X2Y22629U6/2T	5.6x3.0x0.6	2.6 - 2.9	65	● Warm White	2700K	32	34	80	190
62-227ET/KK7D-3M3030X3Y32629U6/2T	5.6x3.0x0.6	2.6 - 2.9	65	● Warm White	3000K	33	35	80	196
62-227ET/KK7D-3M3535X3Y32629U6/2T	5.6x3.0x0.6	2.6 - 2.9	65	● Warm White	3500K	33	35	80	196
62-227ET/KK7D-3M4040X5Y52629U6/2T	5.6x3.0x0.6	2.6 - 2.9	65	○ Neutral White	4000K	35	37	80	207
62-227ET/KK7D-3M5050X6Y62629U6/2T	5.6x3.0x0.6	2.6 - 2.9	65	○ Cool White	5000K	36	38	80	213
62-227ET/KK7D-3M5757X6Y62629U6/2T	5.6x3.0x0.6	2.6 - 2.9	65	○ Cool White	5700K	36	38	80	213
62-227ET/KK7D-3M6565X5Y52629U6/2T	5.6x3.0x0.6	2.6 - 2.9	65	○ Cool White	6500K	35	37	80	207

5630-KK8D / 0.2W

Product	Size (LxWxHmm)	Forward Voltage (V)	Forward Current (mA)	Color	CCT (K)	Luminous Flux (Min.)	Luminous Flux (Typ.)	CRI (min.)	Luminous Efficacy (lm/W)
G62-127ET/KK8D-M2727X3X92530U6/2T	5.6x3.0x0.6	2.5 - 3.0	65	● Warm White	2700K	33	36	80	201
G62-127ET/KK8D-M3030X4Y02530U6/2T	5.6x3.0x0.6	2.5 - 3.0	65	● Warm White	3000K	34	37	80	207
G62-127ET/KK8D-M3535X4Y02530U6/2T	5.6x3.0x0.6	2.5 - 3.0	65	● Warm White	3500K	34	37	80	207
G62-127ET/KK8D-M4040X6Y22530U6/2T	5.6x3.0x0.6	2.5 - 3.0	65	○ Neutral White	4000K	36	39	80	213
G62-127ET/KK8D-M5050X6Y22530U6/2T	5.6x3.0x0.6	2.5 - 3.0	65	○ Cool White	5000K	36	39	80	218
G62-127ET/KK8D-M5757X6Y22530U6/2T	5.6x3.0x0.6	2.5 - 3.0	65	○ Cool White	5700K	36	39	80	218
G62-127ET/KK8D-M6565X6Y22530U6/2T	5.6x3.0x0.6	2.5 - 3.0	65	○ Cool White	6500K	36	39	80	213

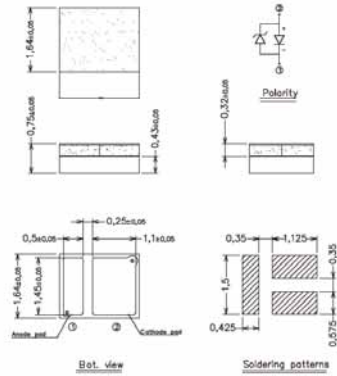
5630-KKX / 0.2W

Product	Size (LxWxHmm)	Forward Voltage (V)	Forward Current (mA)	Color	CCT (K)	Luminous Flux (Min.)	Luminous Flux (Typ.)	CRI (min.)	Luminous Efficacy (lm/W)
62-127ET/KKX-M2727X5Y12529U6/2T	5.6x3.0x0.65	2.5~2.9	65	● Warm White	2700K	35	37	80	211
62-127ET/KKX-M3030X6Y22529U6/2T	5.6x3.0x0.65	2.5~2.9	65	● Warm White	3000K	36	38	80	217
62-127ET/KKX-M3535X6Y22529U6/2T	5.6x3.0x0.65	2.5~2.9	65	● Warm White	3500K	36	38	80	217
62-127ET/KKX-M4040X8Y42530U6/2T	5.6x3.0x0.65	2.5~2.9	65	○ Neutral White	4000K	38	41	80	222
62-127ET/KKX-M5050X8Y42529U6/2T	5.6x3.0x0.65	2.5~2.9	65	○ Cool White	5000K	38	41	80	228
62-127ET/KKX-M5757X8Y42529U6/2T	5.6x3.0x0.65	2.5~2.9	65	○ Cool White	5700K	38	41	80	228
62-127ET/KKX-M6565X8Y42529U6/2T	5.6x3.0x0.65	2.5~2.9	65	○ Cool White	6500K	38	41	80	222

UVA LOW MIDDLE POWER LED 2016



UNIT : mm



2016 ceramic substrate / 0.08W / 3.5V / 20mA

Product	Size (LxWxHmm)	View Angle	Forward Voltage (V)	Forward Current (mA)	Wavelength (nm)	Radiant Flux (mW)
ELUA2016OGB-P6070Q43040020-VA1M	2.0x1.6x0.75	120°	3.0~4.0	20	360~370	20
ELUA2016OGB-P8090Q53040020-VA1M	2.0x1.6x0.75	120°	3.0~4.0	20	380~390	25
ELUA2016OGB-P9000Q53040020-VA1M	2.0x1.6x0.75	120°	3.0~4.0	20	390~400	25
ELUA2016OGB-P0010Q53040020-VA1M	2.0x1.6x0.75	120°	3.0~4.0	20	400~410	25

2016 ceramic substrate /1.8W / 3.5V / 500mA

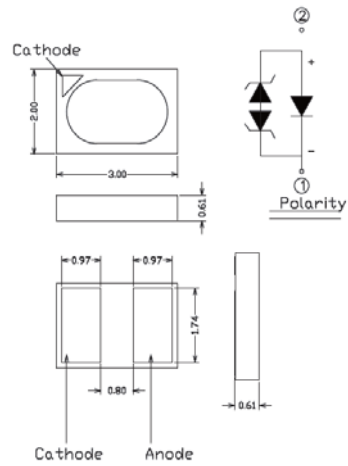
Product	Size (LxWxHmm)	View Angle	Forward Voltage (V)	Forward Current (mA)	Wavelength (nm)	Radiant Flux (mW)
ELUA2016OGB-P6070T53040500-VD1M	2.0x1.6x0.75	120°	3.0~4.0	500	360~370	500
ELUA2016OGB-P8090T73040500-VD1M	2.0x1.6x0.75	120°	3.0~4.0	500	380~390	600
ELUA2016OGB-P9000T73040500-VD1M	2.0x1.6x0.75	120°	3.0~4.0	500	390~400	600
ELUA2016OGB-P0010T73040500-VD1M	2.0x1.6x0.75	120°	3.0~4.0	500	400~410	600

UV

UVA | LOW MIDDLE POWER LED | 3020



UNIT : mm



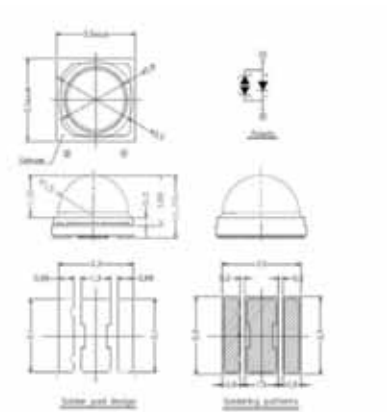
3020 ceramic substrate / 0.08W / 3.5V / 20mA / 120°

Product	Size (LxWxHmm)	View Angle	Forward Voltage (V)	Forward Current (mA)	Wavelength (nm)	Radiant Flux (mW)
ELUA3020LUB-P6070Q43040020-VA1D	3.0x2.0x0.62	120°	3.0~4.0	20	360~370	20
ELUA3020LUB-P8090Q53040020-VA1D	3.0x2.0x0.62	120°	3.0~4.0	20	380~390	25
ELUA3020LUB-P9000Q53040020-VA1D	3.0x2.0x0.62	120°	3.0~4.0	20	390~400	25
ELUA3020LUB-P0010Q53040020-VA1D	3.0x2.0x0.62	120°	3.0~4.0	20	400~410	25

UVA | HIGH POWER LED | 3535



UNIT : mm



3535 ceramic substrate / 1.8W / 3.5V / 500mA / 120°

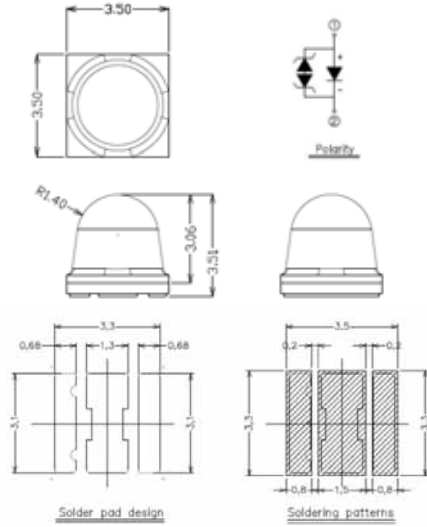
Product	Size (LxWxHmm)	View Angle	Forward Voltage (V)	Forward Current (mA)	Wavelength (nm)	Radiant Flux (mW)
ELUA3535OGB-P6070U23040500-VD1M	3.5x3.5x2.35	120°	3.0~4.0	500	360~370	1000
ELUA3535OGB-P8090U23040500-VD1M	3.5x3.5x2.35	120°	3.0~4.0	500	380~390	1000
ELUA3535OGB-P9000U23040500-VD1M	3.5x3.5x2.35	120°	3.0~4.0	500	390~400	1000
ELUA3535OGB-P0010U23040500-VD1M	3.5x3.5x2.35	120°	3.0~4.0	500	400~410	1000

UV

UVA | HIGH POWER LED | 3535



UNIT : mm



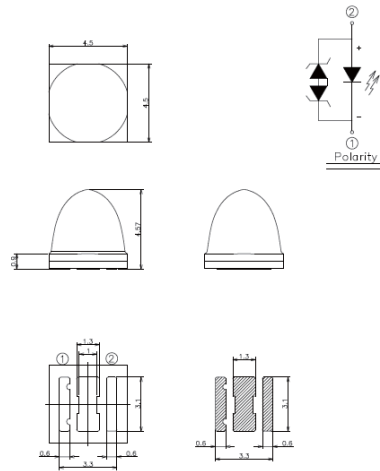
3535 ceramic substrate / 1.8W / 3.5V / 500mA / 50°

Product	Size (LxWxHmm)	View Angle	Forward Voltage (V)	Forward Current (mA)	Wavelength (nm)	Radiant Flux (mW)
ELUA3535OG5-P6070U13040500-VD1M	3.5x3.5x3.51	50°	3.0~4.0	500	360~370	900
ELUA3535OG5-P8090U23040500-VD1M	3.5x3.5x3.51	50°	3.0~4.0	500	380~390	1000
ELUA3535OG5-P9000U23040500-VD1M	3.5x3.5x3.51	50°	3.0~4.0	500	390~400	1000
ELUA3535OG5-P0010U23040500-VD1M	3.5x3.5x3.51	50°	3.0~4.0	500	400~410	1000

UVA | HIGH POWER LED | 4545



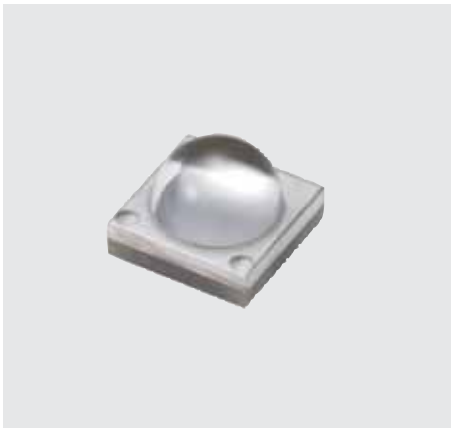
UNIT : mm



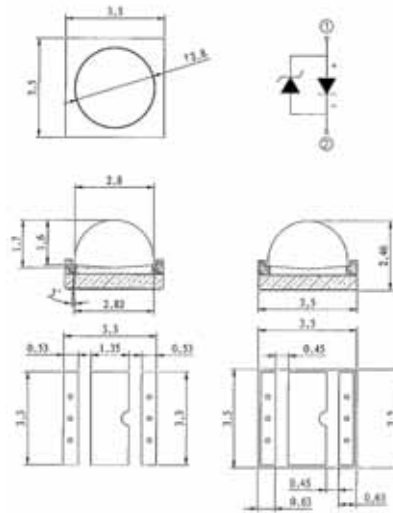
4545 ceramic substrate / 1.8W / 3.5V / 500mA / 30°

Product	Size (LxWxHmm)	View Angle	Forward Voltage (V)	Forward Current (mA)	Wavelength (nm)	Radiant Flux (mW)
ELUA4545OG3-P6070U13241500-VD1M	4.5x4.5x4.57	30°	3.0~4.0	500	360~370	900
ELUA4545OG3-P8090U23241500-VD1M	4.5x4.5x4.57	30°	3.0~4.0	500	380~390	1000
ELUA4545OG3-P9000U23241500-VD1M	4.5x4.5x4.57	30°	3.0~4.0	500	390~400	1000
ELUA4545OG3-P0010U23241500-VD1M	4.5x4.5x4.57	30°	3.0~4.0	500	400~410	1000

UVA | HIGH POWER LED | 3535 Glass Lens



UNIT : mm



3535 ceramic substrate / 1.8W / 3.5V / 1000mA / 60°

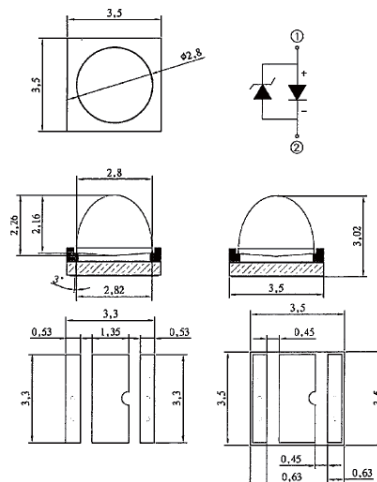
Product	Size (LxWxHmm)	View Angle	Forward	Forward Current (mA)	Wavelength (nm)	Radiant Flux (mW)
						TYP
ELUA3535NU6-P6070U536461K0-V41G	3.5x3.5x2.46	60°	3.6~4.6	1000	360~370	1300
ELUA3535NU6-P8090U536461K0-V41G	3.5x3.5x2.46	60°	3.6~4.6	1000	380~390	1300
ELUA3535NU6-P9000U536461K0-V41G	3.5x3.5x2.46	60°	3.6~4.6	1000	390~400	1300
ELUA3535NU6-P0010U536461K0-V41G	3.5x3.5x2.46	60°	3.6~4.6	1000	400~410	1300

UV

UVA | HIGH POWER LED | 3535 Glass Lens



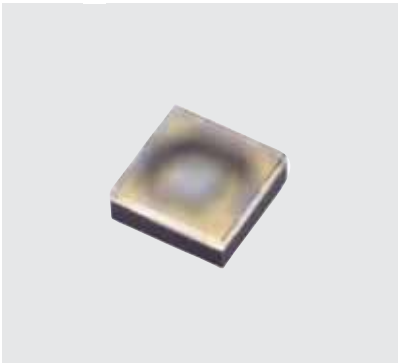
UNIT : mm



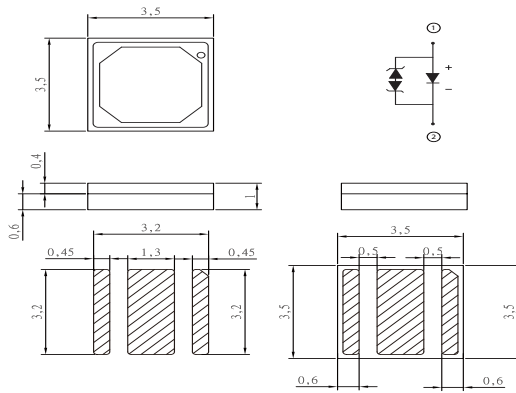
3535 ceramic substrate / 1.8W / 3.5V / 1000mA / 30°

Product	Size (LxWxHmm)	View Angle	Forward	Forward Current (mA)	Wavelength (nm)	Radiant Flux (mW)
						TYP
ELUA3535NU3-P6070U536461K0-V41G	3.5x3.5x3.02	30°	3.6~4.6	1000	360~370	1300
ELUA3535NU3-P8090U536461K0-V41G	3.5x3.5x3.02	30°	3.6~4.6	1000	380~390	1300
ELUA3535NU3-P9000U536461K0-V41G	3.5x3.5x3.02	30°	3.6~4.6	1000	390~400	1300
ELUA3535NU3-P0010U536461K0-V41G	3.5x3.5x3.02	30°	3.6~4.6	1000	400~410	1300

UVC I LOW POWER LED I 3535



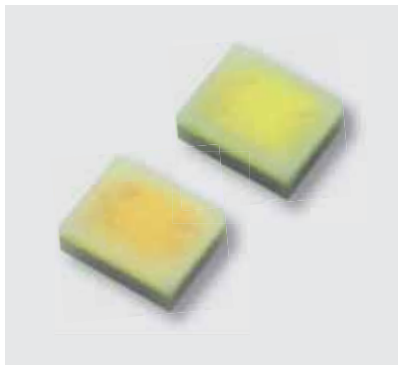
UNIT : mm



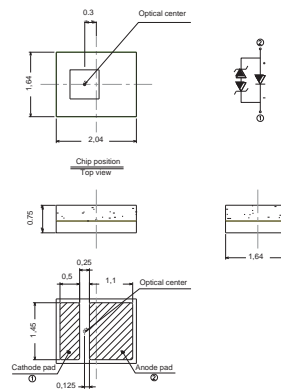
3535 ceramic substrate / 0.12W / 6V / 20mA

Product	Size (LxWxHmm)	Forward Voltage (V)	Forward Current (mA)	Wavelength (nm)	Radiant Flux (mW)
					TYP
ELUC3535OUB	3.5x3.5x1.3	5.0~7.0	20	270~280	2

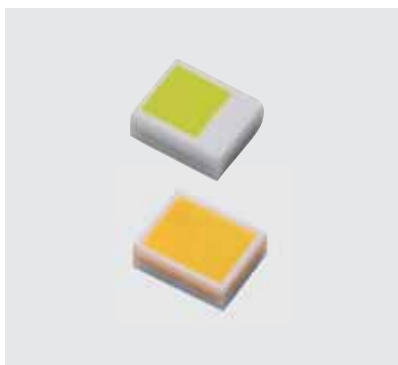
Flash LED | High Power Flash LED | 2016 Package Dual Color



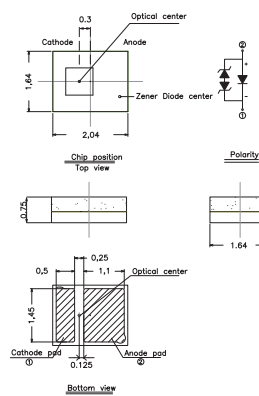
UNIT : mm



Product	Size (LxWxHmm)	Color	CCT (K)	Typ. Luminous Flux (lm)	Forward Voltage (V)	I _F (mA)
ELCH05-NB5060J1J5283805-FBW	2.04x1.64x0.75	○ White	5000~6000	140	2.85~3.85	500
ELCH05-NB2025F8J4283805-FBM	2.04x1.64x0.75	○ White	2000~2500	120	2.85~3.85	500



UNIT : mm



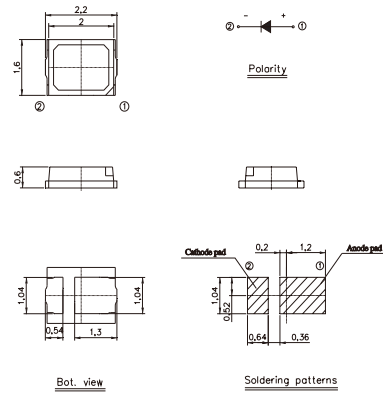
Product	Size (LxWxHmm)	Color	CCT (K)	Typ. Luminous Flux (lm)	Forward Voltage (V)	I _F (mA)
ELCH07-NB5060J6J8283910-F3H	2.04x1.64x0.75	○ White	5000~6000	260	2.85~3.95	1000
ELCH07-NB2025J5J7283910-F3H	2.04x1.64x0.75	● Warm White	2000~2500	210	2.85~3.95	1000
ELCH08-NB5060J7J9283910-FDS	2.04x1.64x0.75	○ White	5500~6500	300	2.85~3.95	1000
ELCH08-NB2025J6J8283910-FDM	2.04x1.64x0.75	● Warm White	1950~2450	250	2.85~3.95	1000

Flash LED

Flash LED | High Power Flash LED | 2016 Package



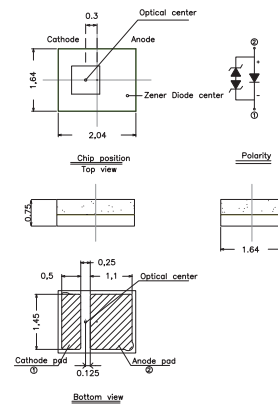
UNIT : mm



Product	Size (LxWxHmm)	Color	CCT (K)	Typ. Luminous Flux (lm)	Forward Voltage (V)	I _F (mA)
37-21S-NKK2C-H5050M41N42936Z6-2T-FS	2.2x1.6x0.6	○ Cool White	5000	22~33	2.9~3.6	60mA
				38.8	3.3	100mA



UNIT : mm

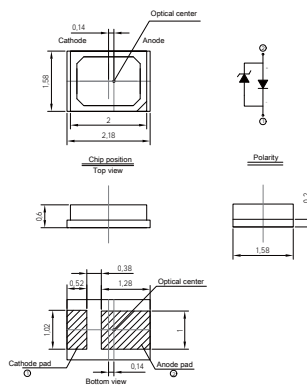


Product	Size (LxWxHmm)	Color	CCT (K)	Typ. Luminous Flux (lm)	Forward Voltage (V)	I _F (mA)
ELCH08-NB5060J7J9283910-F3H	2.04x1.64x0.75	○ White	5000~6000	270	2.85~3.95	1000
ELCH09-NB5060J8K2283910-FDX	2.04x1.64x0.75	○ White	5000~6000	350	2.85~3.95	1000

Flash LED | High Power Flash LED | 2016 Package HCRI Type



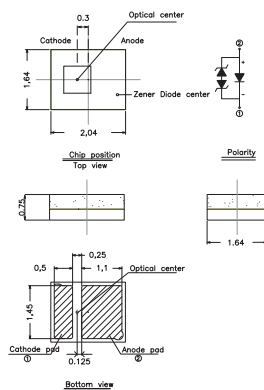
UNIT : mm



Product	Size (LxWxHmm)	Color	CCT (K)	Typ. Luminous Flux (lm)	Forward Voltage (V)	I _F (mA)
ELEM-KB4050F3F82838Z15-T4W	2.18x1.58x0.6	○ White	4500~5500	38.8	2.85~3.85	100
ELEM-KB5060F9J4294003-T6C	2.18x1.58x0.6	○ White	4000~5000	135	2.85~3.95	500



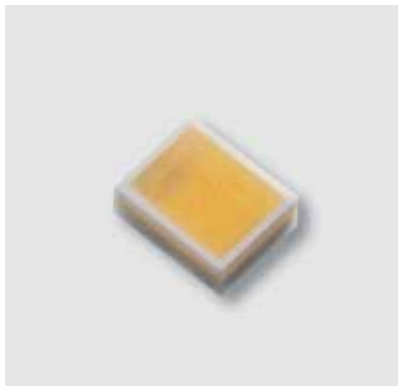
UNIT : mm



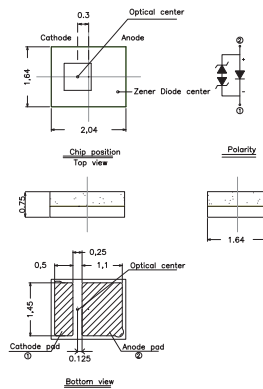
Product	Size (LxWxHmm)	Color	CCT (K)	Typ. Luminous Flux (lm)	Forward Voltage (V)	CRI	I _F (mA)
ELCH08-KB4050J6J9283910-FDH	2.04x1.64x0.75	○ White	4000~5000	260	2.85~3.95	>80	1000



Flash LED | High Power Flash LED | 2016 Package HCRI Type



UNIT : mm

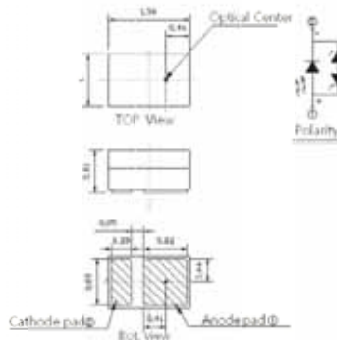


Product	Size (LxWxHmm)	Color	CCT (K)	Typ. Luminous Flux (lm)	Forward Voltage (V)	CRI	I _F (mA)
ELCH08-HB3545J6J8283910-FDS	2.04x1.64x0.75	○ White	3500~4500	210	2.85~3.95	>90	1000

Flash LED | High Power Flash LED | 1610 Package Dual Type



UNIT : mm

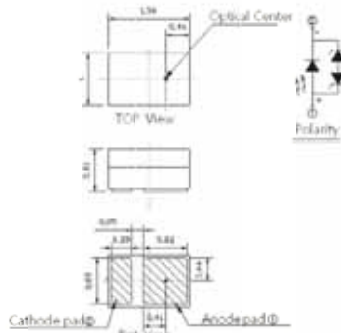


Product	Size (LxWxHmm)	Color	CCT (K)	Typ. Luminous Flux (lm)	Forward Voltage (V)	I _F (mA)
ELAT07-NB1924J4J6293910-F1M	1.56x1.0x0.81	● Warm White	1950K~2450K	200	2.95~3.95	1000
ELAT07-NB5060J6J7293910-F1S	1.56x1.0x0.81	○ Cool White	5000K~6000K	240	2.95~3.95	1000

Flash LED | High Power Flash LED | 1610 Package HCRI Type

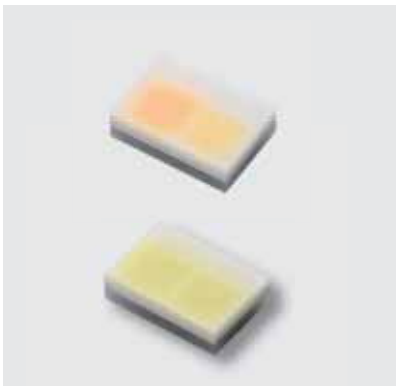


UNIT : mm

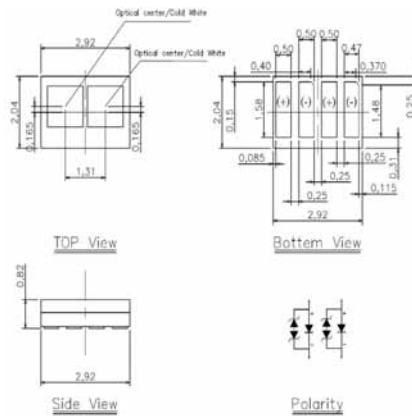


Product	Size (LxWxHmm)	Color	CCT (K)	Typ. Luminous Flux (lm)	Forward Voltage (V)	CRI	I _F (mA)
ELAT07-KB4050J5J7293910-F1S	1.56x1.0x0.81	○ White	4000~5000	220	2.95~3.95	>80	1000

Flash LED | High Power Flash LED | ELDA Series



UNIT : mm

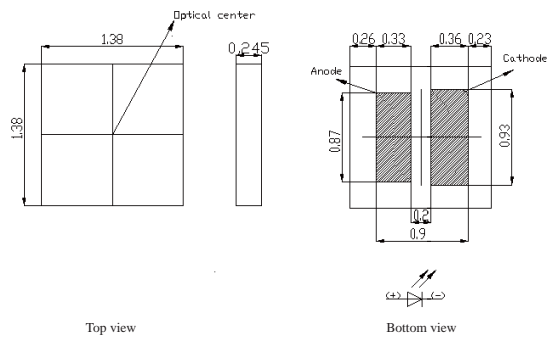


Product	Size (LxWxHmm)	Color	CCT (K)	Typ. Luminous Flux (lm)	Forward Voltage (V)	If(mA)	CRI
ELDA06-HB2555J3J8283910-FCX	2.92x2.04x0.82	Warm White	2250~2750	170	2.85~3.95	1000mA	>90
		Cold White	5000~6000	220	2.85~3.95	1000mA	>90
ELDA08-NB5060J6J8283910-FCX	2.92x2.04x0.82	White	5000~6000	270	2.95~3.95	1000mA	NA

Flash LED | High Power Flash LED | CSP Dual Color Type



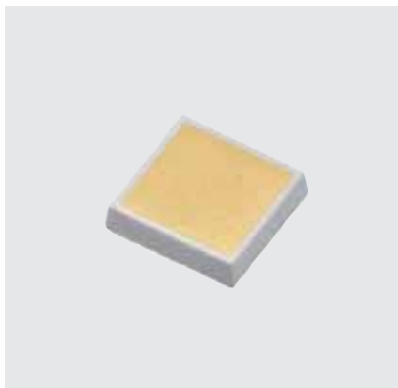
UNIT : mm



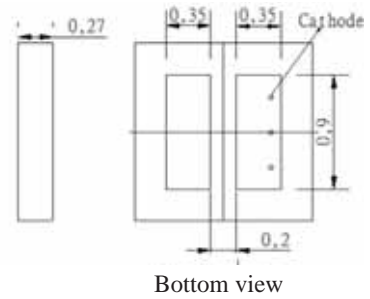
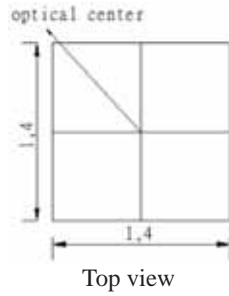
Product	Size (LxWxHmm)	Color	CCT (K)	Typ. Luminous Flux (lm)	Forward Voltage (V)	If(mA)	CRI
ELCS14B-NB5060J7J9283910-F4Z	1.38x1.38x0.245	White	5000~6000	290	2.85~3.95	1000mA	NA
ELCS14B-NB2025J6J8283910-F4Z	1.38x1.38x0.245	Warm White	2000~2500	230	2.85~3.95	1000mA	NA



Flash LED | High Power Flash LED | CSP HCRI Type

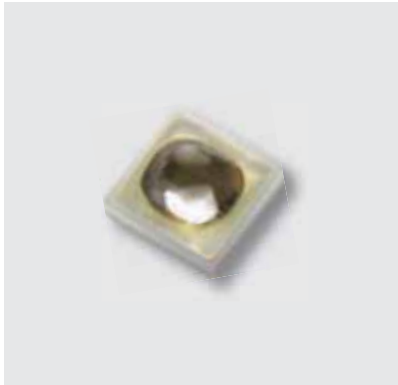


UNIT : mm

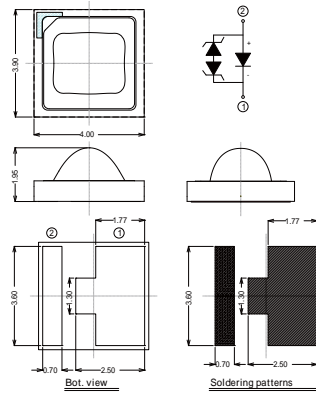


Product	Size (LxWxHmm)	Color	CCT (K)	Typ. Luminous Flux (lx)	Forward Voltage (V)	If(mA)	CRI
ELCS14B-KB4050J6J8283910-FCZ	1.4x1.4x0.27	White	4000~5000	250	2.85~3.95	1000mA	>80

Flash LED | High Power Flash LED | Module Type



UNIT : mm

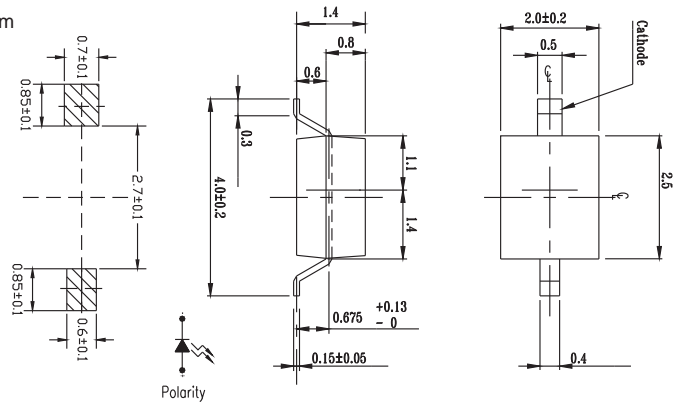


Product	Size (LxWxHmm)	Color	CCT (K)	Typ. Illuminance (lx)	Forward Voltage (V)	I _F (mA)
ELYU03-5070J5J7294310-N0	4.0x3.9x1.95	○White	5000~7000	265	2.95~4.35	1000
ELYU03-5060J5J7294310-N0	4.0x3.9x1.95	○White	5000~7000	265	2.95~4.35	1000

SMD LED | Subminiature LED Lamps (Leadframe)



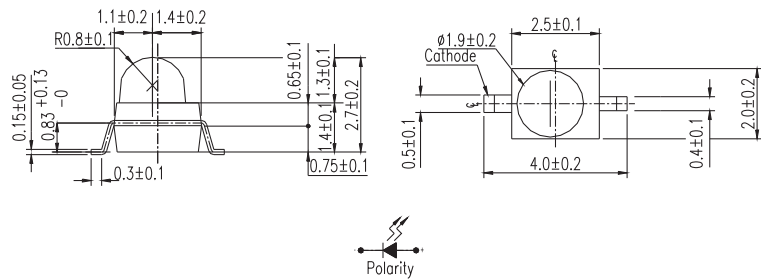
UNIT : mm



Product	Size (LxWxHmm)	Color	λ_d (nm)/ CIE(x,y)	I_v Min./Typ. (mcd)	I_v Max. (mcd)	V_F Min. (V)	V_F Typ. (V)	V_F Max. (V)	I_F (mA)
28-21SDRC/S530-A3/TR8	2.5x2.0x1.4	● Deep Red	639	20 / 27	N	1.7	2	2.4	20
28-21SURC/S530-A2/TR8	2.5x2.0x1.4	● Hyper Red	624	11 / 26	N	N	2	2.4	20
28-21UYC/S530-A3/TR8	2.5x2.0x1.4	● Super Yellow	589	21 / 33	N	N	2	2.4	20



UNIT : mm

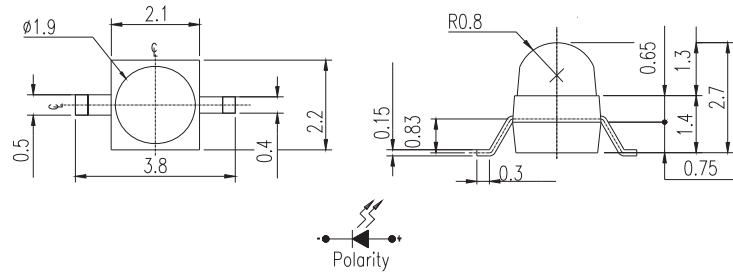


Product	Size (LxWxHmm)	Color	λ_d (nm)/ CIE(x,y)	I_v Min./Typ. (mcd)	I_v Max. (mcd)	V_F Min. (V)	V_F Typ. (V)	V_F Max. (V)	I_F (mA)
91-21SUBC/S400-A6/TR7	2.0x2.5x2.7	● Super Blue	470	650 / 800	N	N	3.5	4.0	20
91-21SUGC/S400-A4/TR7	2.0x2.5x2.7	● Super Green	525	2000 / 2300	N	N	3.5	4.3	20
91-21SURC/S530-A6/TR7	2.0x2.5x2.7	● Hyper Red	624	802 / 1232	N	N	2	2.4	20
91-21SYGC/S530-E4/TR7	2.0x2.5x2.7	● Super Yellow Green	573	528 / 594	N	N	2	2.4	20
91-21USRC/S530-A4/TR7	2.0x2.5x2.7	● Dark Red	631	344 / 578	N	N	2	2.4	20

SMD LED | Subminiature LED Lamps (Leadframe)



UNIT : mm

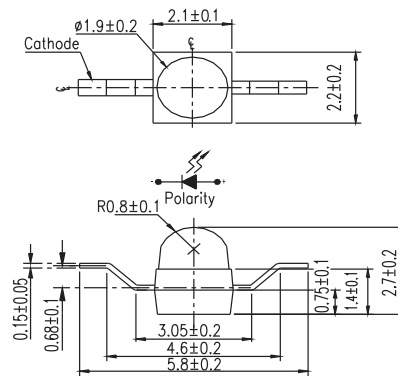


Product	Size (LxWxHmm)	Color	λ_d (nm)/ CIE(x,y)	I_v Min./Typ. (mcd)	I_v Max. (mcd)	V_F Min. (V)	V_F Typ. (V)	V_F Max. (V)	I_F (mA)
95-21SUGC/S400-A4/TR7	2.1x2.2x2.7	● Super Green	525	2000 / 2300	N	N	3.5	4.3	20
95-21SYGC/S530-E2/TR7	2.1x2.2x2.7	● Brilliant Yellow Green	573	264 / 330	N	1.7	2	2.4	20
95-21USRD/S357/TR7	2.1x2.2x2.7	● Dark Red	631	45 / 100	N	N	2	2.4	20
95-21UYC/S530-A5/TR7	2.1x2.2x2.7	● Super Yellow	589	793 / 1156	N	N	2	2.4	20

SMD LED



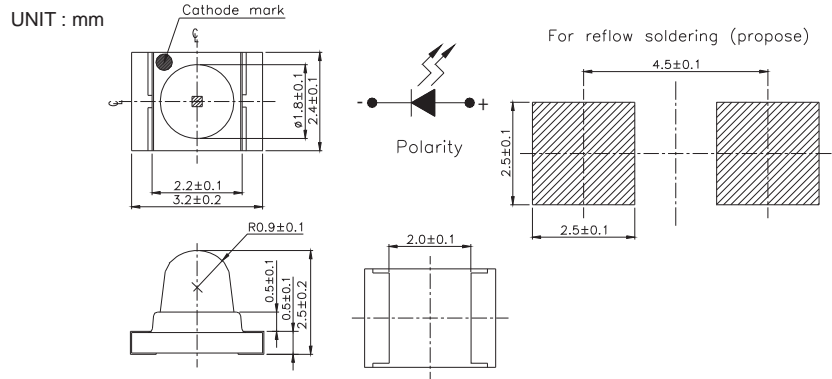
UNIT : mm



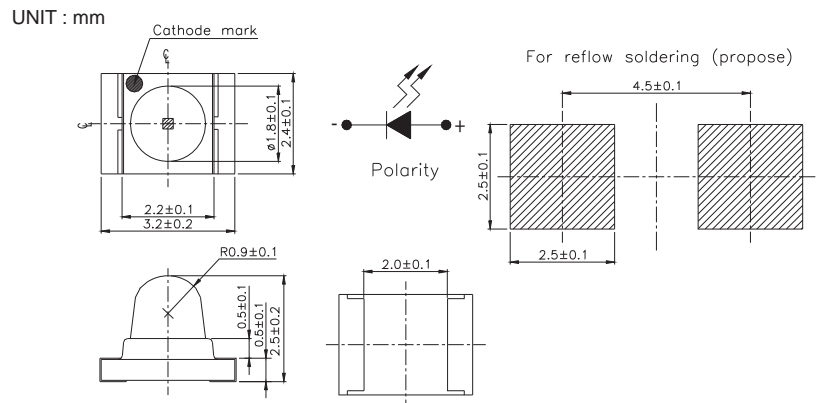
95-21F10/TR10

Product	Size (LxWxHmm)	Color	λ_d (nm)/ CIE(x,y)	I_v Min./Typ. (mcd)	I_v Max. (mcd)	V_F Min. (V)	V_F Typ. (V)	V_F Max. (V)	I_F (mA)
95-21SDRC/S530-A3/TR10	2.1x2.2x2.7	● Brilliant Red	639	330 / 495	N	1.7	2	2.4	20
95-21SUBC/S400-A5/TR10	2.1x2.2x2.7	● Super Blue	470	500 / 800	N	N	3.5	4.3	20

SMD LED | Surface Mount Chip LED (PCB) | Top View LED



Product	Size (LxWxHmm)	Color	λ_d (nm)/ CIE(x,y)	I_V Min./Typ. (mcd)	I_V Max. (mcd)	V_F Min./Typ. (V)	V_F Max. (V)	I_F (mA)
42-21/BHC-AUW/1T	3.2x2.4x2.5	● Blue	470	450	1800	2.7 / 3.3	3.7	20

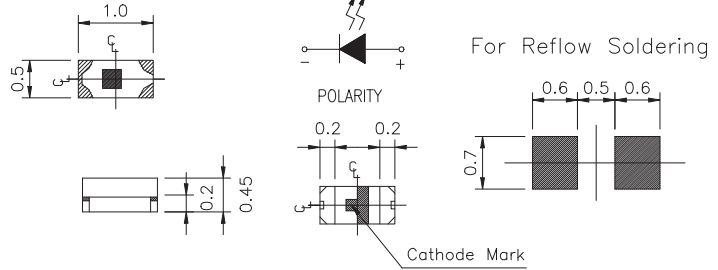


Product	Size (LxWxHmm)	Color	λ_d (nm)/ CIE(x,y)	I_V Min./Typ. (mcd)	I_V Max. (mcd)	V_F Min./Typ. (V)	V_F Max. (V)	I_F (mA)
42-21A/BHC-ZV1W2N/1T	3.2x2.4x2.5	● Blue	470	715	1800	2.65	3.75	20
42-21A/GHC-YX1Y2N/1T	3.2x2.4x2.5	● Brilliant Green	525	1800	4500	2.7	3.7	20

SMD LED | Surface Mount Chip LED (PCB) | Top View 0402 (0.2T~0.5T)



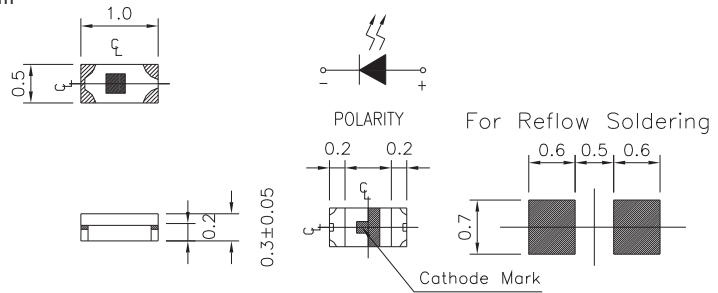
UNIT : mm



Product	Size (LxWxHmm)	Color	λ_d (nm)/CIE(x,y)	I_v Min./Typ. (mcd)	I_v Max. (mcd)	V_F Min./Typ. (V)	V_F Max. (V)	I_F (mA)
16-213/BHC-AN1P2/3T	1.0x0.5x0.45	● Blue	470	28.5	72	2.7 / 3.3	3.7	20
16-213/BHC-ZL1M2QY/3T	1.0x0.5x0.45	● Blue	470	11.5	28.5	2.7	3.2	5
16-213/GHC-YR1S1/3T	1.0x0.5x0.45	● Brilliant Green	525	112	225	2.7 / 3.3	3.7	20
16-213/R6C-A2225VZ/3T	1.0x0.5x0.45	● Brilliant Red	624	20	40.5	1.7	2.2	10
16-213/T3D-AP1Q2QY/3T	1.0x0.5x0.45	○ Pure White	x=0.29, y=0.30	45	112	2.7	3.2	5
16-213/T7D-AQ1R1QY/3T	1.0x0.5x0.45	○ Pure White	x=0.29, y=0.30	72	140	2.7	3.2	5



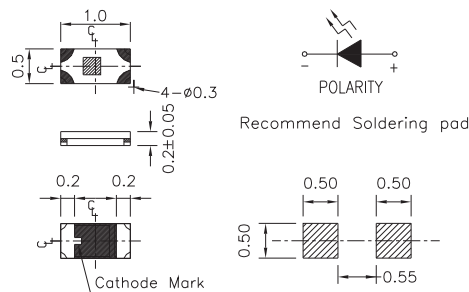
UNIT : mm



Product	Size (LxWxHmm)	Color	λ_d (nm)/CIE(x,y)	I_v Min./Typ. (mcd)	I_v Max. (mcd)	V_F Min./Typ. (V)	V_F Max. (V)	I_F (mA)
16-216/T3D-AQ1R2TY/3T	1.0x0.5x0.3	○ Pure White	x=0.29, y=0.30	72	180	2.6	3	5



UNIT : mm

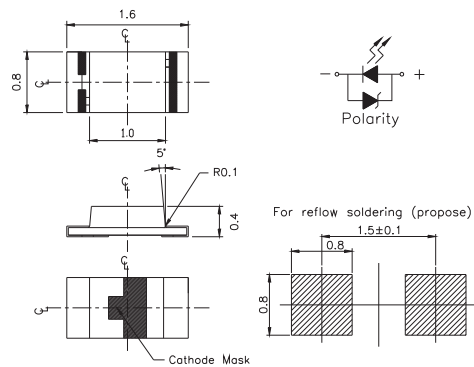


Product	Size (LxWxHmm)	Color	λ_d (nm)/CIE(x,y)	I_v Min./Typ. (mcd)	I_v Max. (mcd)	V_F Min./Typ. (V)	V_F Max. (V)	I_F (mA)
16-219A/T2D-AR2T1QY/3T	1.0x0.5x0.2	○ Pure White	x=0.29, y=0.30	140	360	2.7	3.2	5

SMD LED | Surface Mount Chip LED (PCB) | Top View 0603 (0.2T~0.8T)



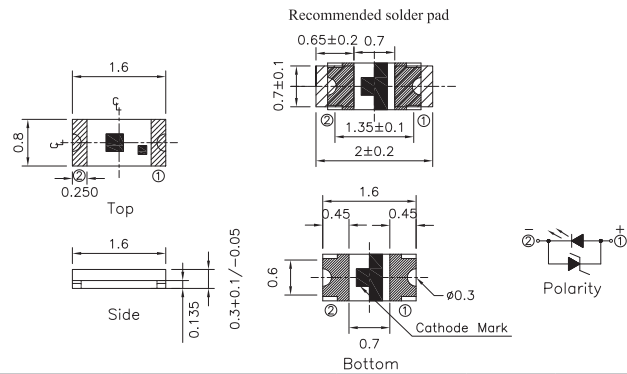
UNIT : mm



Product	Size (LxWxHmm)	Color	λ_d (nm)/CIE(x,y)	I_v Min./Typ. (mcd)	I_v Max. (mcd)	V_f Min./Typ. (V)	V_f Max. (V)	I_f (mA)
19-117/BHC-YJ2K2TX/3T	1.6x0.8x0.4	● Blue	470	5.8	11.5	2.6	3	2
19-117/BHC-ZL1M2RY/3T	1.6x0.8x0.4	● Blue	470	11.5	28.5	2.5	3.1	5
19-117/T1D-AP2Q2QY/3T	1.6x0.8x0.4	○ Pure White	x=0.274, y=0.226	57	112	2.7	3.2	5



UNIT : mm



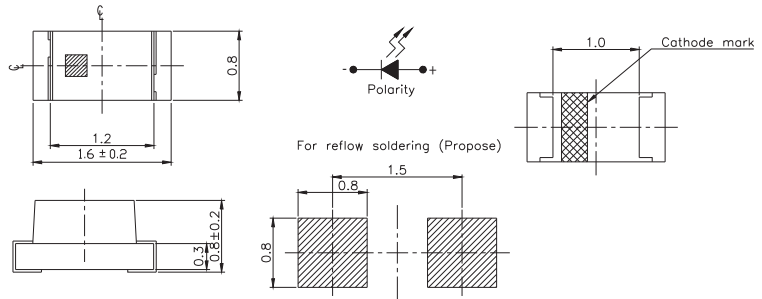
Product	Size (LxWxHmm)	Color	λ_d (nm)/CIE(x,y)	I_v Min./Typ. (mcd)	I_v Max. (mcd)	V_f Min./Typ. (V)	V_f Max. (V)	I_f (mA)
19-118/BHC-ZL1M2QY/3T	1.6x0.8x0.3	● Blue	470	11.5	28.5	2.7	3.2	5

SMD LED

SMD LED | Surface Mount Chip LED (PCB) | Top View 0603 (0.2T~0.8T)



UNIT : mm

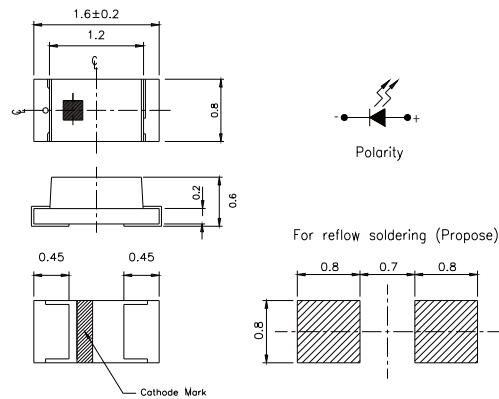


Product	Size (LxWxHmm)	Color	λ_d (nm)/CIE(x,y)	I_v Min./Typ. (mcd)	I_v Max. (mcd)	V_F Min./Typ. (V)	V_F Max. (V)	I_F (mA)
19-21/B6C-AP2Q2M/3T	1.6x0.8x0.8	Blue	470	57	112	2.75	3.95	20
19-21/BHC-AP1Q2/3T	1.6x0.8x0.8	Blue	470	45	112	2.7 / 3.3	3.7	20
19-21/BHC-YL1M1RY/3T	1.6x0.8x0.8	Blue	470	11.5	22.5	2.5	3.1	5
19-21/BHC-ZQ1R2N/3T	1.6x0.8x0.8	Blue	470	72	180	2.7	3.7	20
19-21/G6C-AL1M2LY/3T	1.6x0.8x0.8	Brilliant Yellow Green	573	11.5	28.5	1.7	2.3	5
19-21/G6C-FM1N2B/3T	1.6x0.8x0.8	Brilliant Yellow Green	573	18	45	1.75	2.35	20
19-21/G6C-FP1Q1L/3T	1.6x0.8x0.8	Brilliant Yellow Green	573	45	90	1.7	2.3	20
19-21/GHC-YN1P2QY/3T	1.6x0.8x0.8	Brilliant Green	525	28.5	72	2.7	3.2	5
19-21/GPC-FL1M2B/3T	1.6x0.8x0.8	Green	562	11.5	28.5	1.75	2.35	20
19-21/R6C-AL2N1VY/3T	1.6x0.8x0.8	Brilliant Red	624	14.5	36	1.7	2.2	5
19-21/R6C-FP1Q2L/3T	1.6x0.8x0.8	Brilliant Red	624	45	112	1.7	2.3	20
19-21/R7C-AK1L2BY/3T	1.6x0.8x0.8	Deep Red	631	7.2	18	1.75	2.35	5
19-21/R7C-AN2Q1B/3T	1.6x0.8x0.8	Deep Red	631	36	90	1.75	2.35	20
19-21/R8C-FN2Q1L/3T	1.6x0.8x0.8	Deep Red	639	36	90	1.7	2.3	20
19-21/S2C-AL2M2VY/3T	1.6x0.8x0.8	Brilliant Orange	605	14.5	28.5	1.7	2.2	5
19-21/S2C-AQ1R2B/3T	1.6x0.8x0.8	Brilliant Orange	605	72	180	1.75	2.35	20
19-21/T1D-ANPHY/3T	1.6x0.8x0.8	Pure White	x=0.274, y=0.226	28.5	72	2.7	3.15	5
19-21/T1D-CPQTY/3T	1.6x0.8x0.8	Pure White	x=0.274, y=0.226	45	112	2.6	3	5
19-21/Y2C-AL1M2VY/3T	1.6x0.8x0.8	Brilliant Yellow	589	11.5	28.5	1.7	2.2	5
19-21/Y2C-CP1Q2B/3T	1.6x0.8x0.8	Brilliant Yellow	589	45	112	1.75	2.35	20

SMD LED | Surface Mount Chip LED (PCB) | Top View 0603 (0.2T~0.8T)



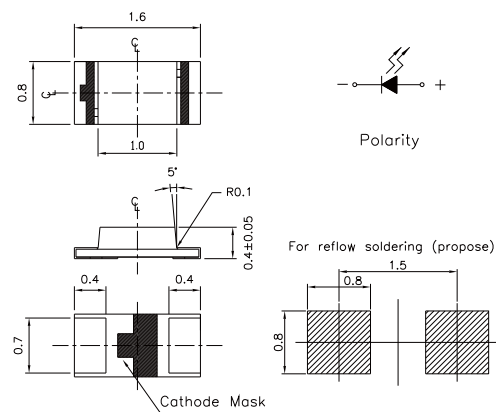
UNIT : mm



Product	Size (LxWxHmm)	Color	λ_d (nm)/CIE(x,y)	I_v Min./Typ. (mcd)	I_v Max. (mcd)	V_f Min./Typ. (V)	V_f Max. (V)	I_f (mA)
19-213A/T1D-CP2Q2HY/3T	1.6x0.8x0.6	○ Pure White	x=0.274, y=0.226	57	112	2.7	3.15	5

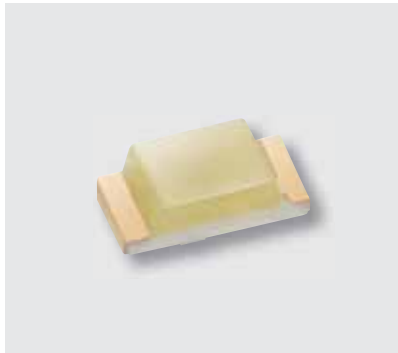


UNIT : mm

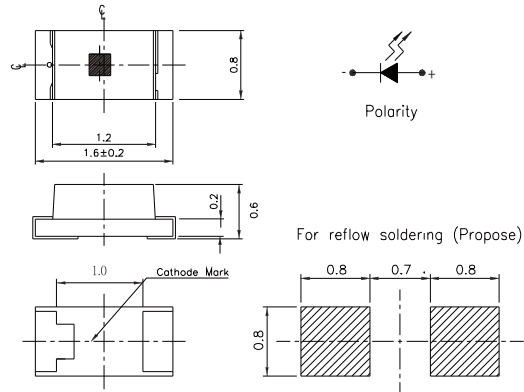


Product	Size (LxWxHmm)	Color	λ_d (nm)/CIE(x,y)	I_v Min./Typ. (mcd)	I_v Max. (mcd)	V_f Min./Typ. (V)	V_f Max. (V)	I_f (mA)
19-217/B9C-ANQE/3T	1.6x0.8x0.4	● Blue	470	28.5	112	2.75	3.65	20
19-217/BHC-AN1P2/3T	1.6x0.8x0.4	● Blue	470	28.5	72	2.7 / 3.3	3.7	20
19-217/BHC-XK1L2B11X/3T	1.6x0.8x0.4	● Blue	470	7.2	18	2.6	2.9	2
19-217/BHC-YL2M2TY/3T	1.6x0.8x0.4	● Blue	470	14.5	28.5	2.6	3	5
19-217/G7C-AL1M2B/3T	1.6x0.8x0.4	● Brilliant Yellow Green	573	11.5	28.5	1.75	2.35	20
19-217/GHC-YR1S2/3T	1.6x0.8x0.4	● Brilliant Green	525	112	285	2.7 / 3.3	3.7	20
19-217/R6C-P1Q2/3T	1.6x0.8x0.4	● Brilliant Red	624	45	112	1.7 / 2	2.4	20
19-217/S2C-AL1M2VY/3T	1.6x0.8x0.4	● Brilliant Orange	605	11.5	28.5	1.7	2.2	5
19-217/S3C-AL2N1VY/3T	1.6x0.8x0.4	● Reddish Orange	615	14.5	36	1.7	2.2	5
19-217/T1D-ANPHY/3T	1.6x0.8x0.4	○ Pure White	x=0.274, y=0.226	28.5	72	2.7	3.15	5
19-217/T1D-JP1Q2QY/3T	1.6x0.8x0.4	○ Pure White	x=0.274, y=0.226	45	112	2.7	3.2	5
19-217/Y5C-AM1N1VY/3T	1.6x0.8x0.4	● Brilliant Yellow	589	18	36	1.7	2.2	5
19-217/Y5C-APQB/3T	1.6x0.8x0.4	● Brilliant Yellow	589	45	112	1.75	2.35	20
19-217/Y5C-AQ2R2/3T	1.6x0.8x0.4	● Brilliant Yellow	589	90	180	1.7 / 2	2.4	20

SMD LED | Surface Mount Chip LED (PCB) | Top View 0603 (0.2T~0.8T)

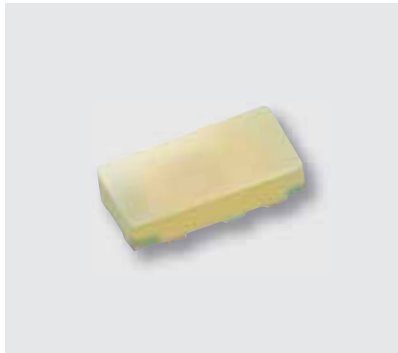


UNIT : mm

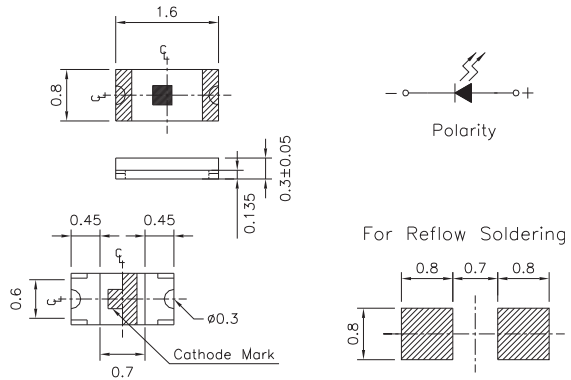


Product	Size (LxWxHmm)	Color	λ_d (nm)/CIE(x,y)	I_v Min./Typ. (mcd)	I_v Max. (mcd)	V_F Min./Typ. (V)	V_F Max. (V)	I_F (mA)
19-213 /Y2C-CQ1R2/3T	1.6x0.8x0.6	● Brilliant Yellow	589	72	180	1.7 / 2	2.4	20
19-213/B7C-AQ2S1B2/3T	1.6x0.8x0.6	● Blue	470	90	225	2.9	3.6	20
19-213/BHC-AN1P2/3T	1.6x0.8x0.6	● Blue	470	28.5	72	2.7 / 3.3	3.7	20
19-213/G6C-AP1Q2/3T	1.6x0.8x0.6	● Brilliant Yellow Green	573	45	112	2	2.4	20
19-213/G6C-BM1N2B/3T	1.6x0.8x0.6	● Brilliant Yellow Green	573	18	45	1.75	2.35	20
19-213/G6C-FN2Q1L/3T	1.6x0.8x0.6	● Brilliant Yellow Green	573	36	90	1.7	2.3	20
19-213/G6W-FN1P1B/3T	1.6x0.8x0.6	● Brilliant Yellow Green	573	28.5	57	1.75	2.35	20
19-213/GHC-XS1T1N/3T	1.6x0.8x0.6	● Brilliant Green	525	180	360	2.7	3.7	20
19-213/GHC-YP1Q2QY/3T	1.6x0.8x0.6	● Brilliant Green	525	45	112	2.7	3.2	5
19-213/GHC-YR1S2/3T	1.6x0.8x0.6	● Brilliant Green	525	112	285	3.5	4	20
19-213/R6C-AM2P1VY/3T	1.6x0.8x0.6	● Brilliant Red	624	22.5	57	1.7	2.2	5
19-213/R6C-AN1P2/3T	1.6x0.8x0.6	● Brilliant Red	624	28.5	72	1.7 / 2	2.4	20
19-213/R6C-AN2Q1B/3T	1.6x0.8x0.6	● Brilliant Red	624	36	90	1.75	2.35	20
19-213/R6C-AP1Q2B/3T	1.6x0.8x0.6	● Brilliant Red	624	45	112	1.75	2.35	20
19-213/R6C-AQ1R2B/3T	1.6x0.8x0.6	● Brilliant Red	624	72	180	1.75	2.35	20
19-213/R8C-FN1P2/3T	1.6x0.8x0.6	● Deep Red	639	28.5	72	1.7 / 2	2.4	20
19-213/S2C-AN1P2B/3T	1.6x0.8x0.6	● Brilliant Orange	605	28.5	72	1.75	2.35	20
19-213/S3C-AN2P2B/3T	1.6x0.8x0.6	● Reddish Orange	615	36	72	1.75	2.35	20
19-213/T1D-ANPHY/3T	1.6x0.8x0.6	○ Pure White	x=0.274, y=0.226	28.5	72	2.7	3.15	5
19-213/Y2C-AP1Q2B/3T	1.6x0.8x0.6	● Brilliant Yellow	589	45	112	1.75	2.35	20
19-213/Y2C-CN1P2/3T	1.6x0.8x0.6	● Brilliant Yellow	589	28.5	72	1.7 / 2	2.4	20
19-213/Y2C-CP1Q2L/3T	1.6x0.8x0.6	● Brilliant Yellow	589	45	112	1.7	2.3	20
19-213/Y2C-CQ2R2L/3T	1.6x0.8x0.6	● Brilliant Yellow	589	90	180	1.7	2.3	20

SMD LED | Surface Mount Chip LED (PCB) | Top View 0603 (0.2T~0.8T)



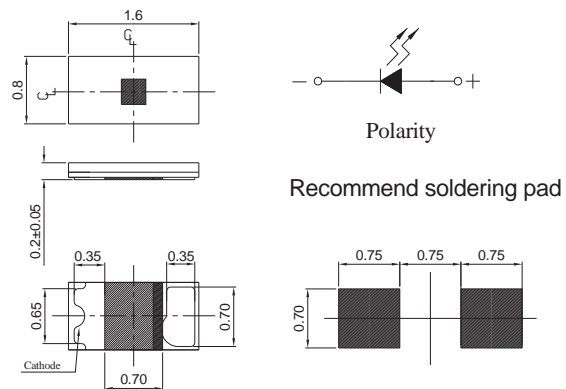
UNIT : mm



Product	Size (LxWxHmm)	Color	λ_d (nm)/CIE(x,y)	I_v Min./Typ. (mcd)	I_v Max. (mcd)	V_f Min./Typ. (V)	V_f Max. (V)	I_f (mA)
19-218/BHC-ZL1M2QY/3T	1.6x0.8x0.3	● Blue	470	11.5	28.5	2.7	3.2	5
19-218/GHC-YR1S2M/3T	1.6x0.8x0.3	● Brilliant Green	525	112	285	2.75	3.95	20
19-218/R6C-AL1M2VY/3T	1.6x0.8x0.3	● Brilliant Red	624	11.5	28.5	1.7	2.2	5
19-218/R6C-FM2P1B7Y/3T	1.6x0.8x0.3	● Brilliant Red	624	22.5	57	1.7	2	5
19-218/T1D-CQ2R2TY/3T	1.6x0.8x0.3	○ Pure White	x=0.274, y=0.226	90	180	2.6	3	5



UNIT : mm

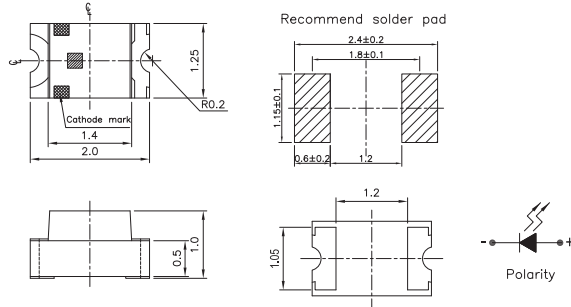


Product	Size (LxWxHmm)	Color	λ_d (nm)/CIE(x,y)	I_v Min./Typ. (mcd)	I_v Max. (mcd)	V_f Min./Typ. (V)	V_f Max. (V)	I_f (mA)
19-219/T3D-AQ2R2TY/3T	1.6x0.8x0.2	○ Pure White	x=0.274, y=0.226	90	180	2.6	3	5
19-219/T7D-AV1W1E/3T	1.6x0.8x0.2	○ Pure White	x=0.274, y=0.226	715	1420	2.75	3.65	20
19-219/Y5C-AM1N2VY/3T	1.6x0.8x0.2	● Brilliant Yellow	589	18	45	1.7	2.2	5

SMD LED | Surface Mount Chip LED (PCB) | Top View 0805

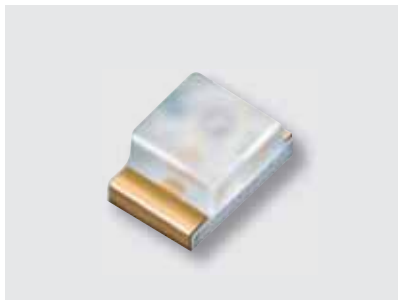


UNIT : mm

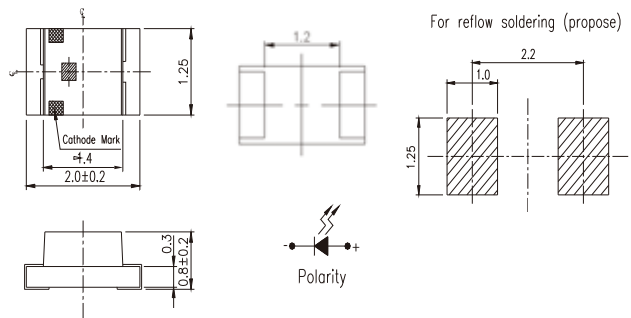


Product	Size (LxWxHmm)	Color	λ_d (nm)/CIE(x,y)	I_V Min./Typ. (mcd)	I_V Max. (mcd)	V_F Min./Typ. (V)	V_F Max. (V)	I_F (mA)
17-21/BHC-AN1P2/3T	2.0x1.25x1	● Blue	470	28.5	72	3.5	4	20
17-21/BHC-AP1Q2/3T	2.0x1.25x1	● Blue	470	45	112	2.7 / 3.3	3.7	20
17-21/BHC-XLMJY/3T	2.0x1.25x1	● Blue	470	11.5	28.5	2.7	3.1	5
17-21/G6C-AN1P1B/3T	2.0x1.25x1	● Brilliant Yellow Green	573	28.5	57	1.75	2.35	20
17-21/G6C-AP1Q1B/3T	2.0x1.25x1	● Brilliant Yellow Green	573	45	90	1.75	2.35	20
17-21/G6C-FM1N2B/3T	2.0x1.25x1	● Brilliant Yellow Green	573	18	45	1.75	2.35	20
17-21/G6C-FN1P2B/3T	2.0x1.25x1	● Brilliant Yellow Green	573	28.5	72	1.75	2.35	20
17-21/G6C-FP1Q1B/3T	2.0x1.25x1	● Brilliant Yellow Green	573	45	90	1.75	2.35	20
17-21/GHC-XS1T2M/3T	2.0x1.25x1	● Brilliant Green	525	180	450	2.75	3.95	20
17-21/GHC-YR1S2/3T	2.0x1.25x1	● Brilliant Green	525	112	285	3.5	4	20
17-21/GPC-AK0M1B/3T	2.0x1.25x1	● Green	562	7.2	22.5	1.75	2.35	20
17-21/GVC-AMPB/3T	2.0x1.25x1	● Green	565	18	72	1.75	2.35	20
17-21/R6C-AN2Q1B/3T	2.0x1.25x1	● Brilliant Red	624	36	90	1.75	2.35	20
17-21/R6C-AP1Q2L/3T	2.0x1.25x1	● Brilliant Red	624	45	112	1.7	2.3	20
17-21/R7C-AN2Q1B/3T	2.0x1.25x1	● Deep Red	631	36	90	1.75	2.35	20
17-21/S2C-AN1P2B/3T	2.0x1.25x1	● Brilliant Orange	605	28.5	72	1.75	2.35	20
17-21/S2C-AP1Q2B/3T	2.0x1.25x1	● Brilliant Orange	605	45	112	1.75	2.35	20
17-21/T1D-ANPHY/3T	2.0x1.25x1	○ Pure White	x=0.274, y=0.226	28.5	72	2.7	3.15	5
17-21/T1D-CP2R1TY/3T	2.0x1.25x1	○ Pure White	x=0.274, y=0.226	57	140	2.6	3	5
17-21/T1D-KN2P2HY/3T	2.0x1.25x1	○ Pure White	x=0.274, y=0.226	36	72	2.7	3.15	5
17-21/Y2C-AN1P2/3T	2.0x1.25x1	● Brilliant Yellow	589	28.5	72	1.7 / 2	2.4	20
17-21/Y2C-CN1P2B/3T	2.0x1.25x1	● Brilliant Yellow	589	28.5	72	1.75	2.35	20
17-21/Y2C-CP2Q2B/3T	2.0x1.25x1	● Brilliant Yellow	589	57	112	1.75	2.35	20

SMD LED | Surface Mount Chip LED (PCB) | Top View 0805



UNIT : mm

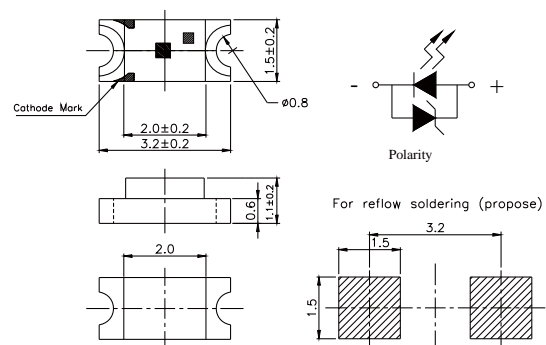


Product	Size (LxWxHmm)	Color	λ_d (nm)/CIE(x,y)	I_V Min./Typ. (mcd)	I_V Max. (mcd)	V_F Min./Typ. (V)	V_F Max. (V)	I_F (mA)
17-215/B6C-YP2R2/3T	2.0x1.25x0.8	● Blue	470	57	180	2.7 / 3.0	3.7	20
17-215/BHC-AN1P2/3T	2.0x1.25x0.8	● Blue	470	28.5	72	2.7 / 3.3	3.7	20
17-215/BHC-BP2Q2M/3T	2.0x1.25x0.8	● Blue	470	57	112	2.75	3.95	20
17-215/G6C-BM1N2L/3T	2.0x1.25x0.8	● Brilliant Yellow Green	573	18	45	1.7	2.3	20
17-215/G6C-FN2P2B/3T	2.0x1.25x0.8	● Brilliant Yellow Green	573	36	72	1.75	2.35	20
17-215/R6C-AQ1R2B/3T	2.0x1.25x0.8	● Brilliant Red	624	72	180	1.75	2.35	20
17-215/S2C-AQ1R2B/3T	2.0x1.25x0.8	● Brilliant Orange	605	72	180	1.75	2.35	20
17-215/S2C-CP2R1B/3T	2.0x1.25x0.8	● Brilliant Orange	605	57	140	1.75	2.35	20

SMD LED | Surface Mount Chip LED (PCB) | Top View 1206



UNIT : mm



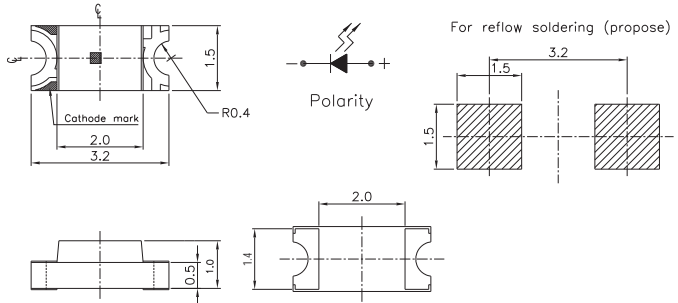
Product	Size (LxWxHmm)	Color	λ_d (nm)/CIE(x,y)	I_V Min./Typ. (mcd)	I_V Max. (mcd)	V_F Min./Typ. (V)	V_F Max. (V)	I_F (mA)
15-11/BHC-AN1P2/2T	3.2x1.5x1.0	● Blue	470	28.5	72	2.7 / 3.3	3.7	20
15-11/BHC-ZL2N1QY/2T	3.2x1.5x1.0	● Blue	470	14.5	36	2.7	3.2	5

SMD LED

SMD LED | Surface Mount Chip LED (PCB) | Top View 1206



UNIT : mm

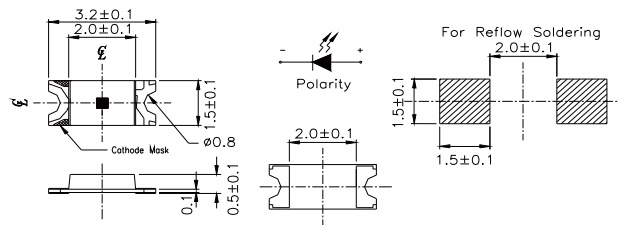


Product	Size (LxWxHmm)	Color	λ_d (nm)/CIE(x,y)	I_v Min./Typ. (mcd)	I_v Max. (mcd)	V_F Min./Typ. (V)	V_F Max. (V)	I_F (mA)
15-21/B6C-YR1S2B2/2T	3.2x1.5x1.0	Blue	470	112	285	2.9	3.6	20
15-21/B6C-ZQ1R1N/2T	3.2x1.5x1.0	Blue	470	72	140	2.7	3.7	20
15-21/BHC-AN1P2/2T	3.2x1.5x1.0	Blue	470	28.5	72	2.7 / 3.3	3.7	20
15-21/G6C-BK1L2VY/2T	3.2x1.5x1.0	Brilliant Yellow Green	573	7.2	18	1.7	2.2	5
15-21/G6C-FM1N2B/2T	3.2x1.5x1.0	Brilliant Yellow Green	573	18	45	1.75	2.35	20
15-21/G6C-FP1Q1L/2T	3.2x1.5x1.0	Brilliant Yellow Green	573	45	90	1.7	2.3	20
15-21/GHC-R2S2/2T	3.2x1.5x1.0	Brilliant Green	525	140	285	2.7 / 3.3	3.7	20
15-21/GHC-YR1S1/2T	3.2x1.5x1.0	Brilliant Green	525	112	225	3.5	3.7	20
15-21/R6C-AN1P2/2T	3.2x1.5x1.0	Brilliant Red	624	28.5	72	1.7 / 2	2.4	20
15-21/R6C-FQ1R1B/2T	3.2x1.5x1.0	Brilliant Red	624	72	140	1.75	2.35	20
15-21/S2C-AL2M2VY/2T	3.2x1.5x1.0	Brilliant Orange	605	14.5	28.5	1.7	2.2	5
15-21/S2C-AQ2R2B/2T	3.2x1.5x1.0	Brilliant Orange	605	90	180	1.75	2.35	20
15-21/S3C-AP1Q2/2T	3.2x1.5x1.0	Reddish Orange	615	45	112	1.7 / 2.0	2.4	20
15-21/T1D-CP1Q2TY/2T	3.2x1.5x1.0	Pure White	x=0.274, y=0.226	45	112	2.6	3	5
15-21/T7D-JQ2S1PY/2T	3.2x1.5x1.0	Pure White	x=0.274, y=0.226	90	225	2.7	3.3	5
15-21/Y2C-AN1P2/2T	3.2x1.5x1.0	Brilliant Yellow	589	28.5	72	1.7 / 2	2.4	20
15-21/Y2C-CP1Q2B/2T	3.2x1.5x1.0	Brilliant Yellow	589	45	112	1.75	2.35	20

SMD LED



UNIT : mm

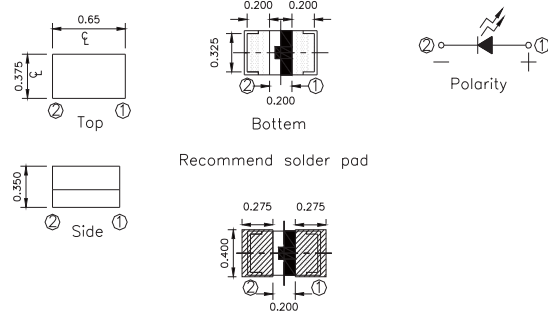


Product	Size (LxWxHmm)	Color	λ_d (nm)/CIE(x,y)	I_v Min./Typ. (mcd)	I_v Max. (mcd)	V_F Min./Typ. (V)	V_F Max. (V)	I_F (mA)
15-215/G7C-BN1P2B/2T	3.2x1.5x0.5	Brilliant Yellow Green	573	28.5	72	1.75	2.35	20
15-215/R6C-AM2P1VY/2T	3.2x1.5x0.5	Brilliant Red	624	22.5	57	1.7	2.2	5
15-215/R6C-AP1Q1L/2T	3.2x1.5x0.5	Brilliant Red	624	45	90	1.7	2.3	20

SMD LED | Surface Mount Chip LED (PCB) | Top View Mono Color



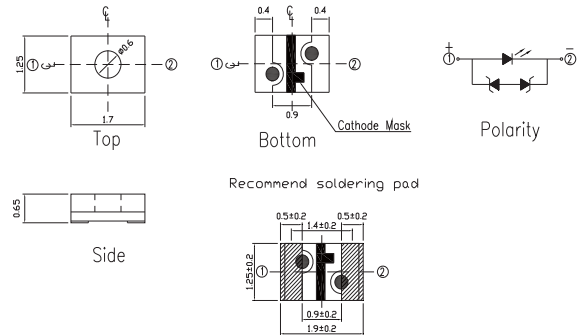
UNIT : mm



Product	Size (LxWxHmm)	Color	λ_d (nm)/CIE(x,y)	I_v Min./Typ. (mcd)	I_v Max. (mcd)	V_F Min./Typ. (V)	V_F Max. (V)	I_F (mA)
18-218/T1D-AN2Q1B3X/6T	0.65x0.375x0.35	○White	0.274,0.226	36	90	2.5	2.9	2



UNIT : mm

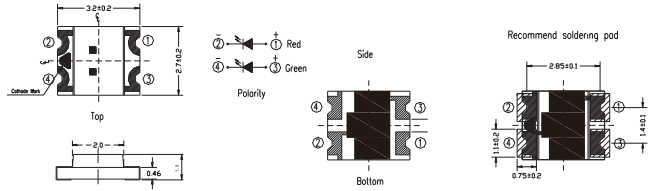


Product	Size (LxWxHmm)	Color	λ_d (nm)/CIE(x,y)	I_v Min./Typ. (mcd)	I_v Max. (mcd)	V_F Min./Typ. (V)	V_F Max. (V)	I_F (mA)
63-119-BHD-ZM1N2TY-3T	1.7x1.25x0.65	●Blue	470	18	45	2.6	3	5
63-119-T1D-AN2Q1TY-3T	1.7x1.25x0.65	○White	0.274,0.226	36	90	2.6	3	5

SMD LED | Surface Mount Chip LED (PCB) | Top View Bi-Color



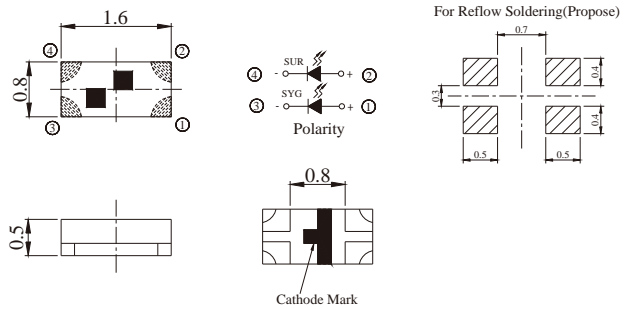
UNIT : mm



Product	Size (LxWxHmm)	Color	λ_d (nm)/ CIE(x,y)	I_v Min./Typ. (mcd)	I_v Max. (mcd)	V_F Min./Typ. (V)	V_F Max. (V)	I_F (mA)
15-22/R6G6C-A32/2T	3.2x2.7x1.0	● Brilliant Red ● Brilliant Yellow Green	R6 : 624 G6 : 573	R6 : 28.5 G6 : 28.5	R6 : 72 G6 : 72	R6 : 1.7 / 2 G6 : 1.7 / 2	R6 : 2.4 G6 : 2.4	20
15-22/R6GHC-A01/2T	3.2x2.7x1.0	● Brilliant Red ● Brilliant Green	R6 : 624 GH : 525	R6 : 90 / 130 GH : 112 / 165	--	R6 : 1.7 / 2 GH : 2.7 / 3.3	R6 : 2.4 GH : 3.7	20



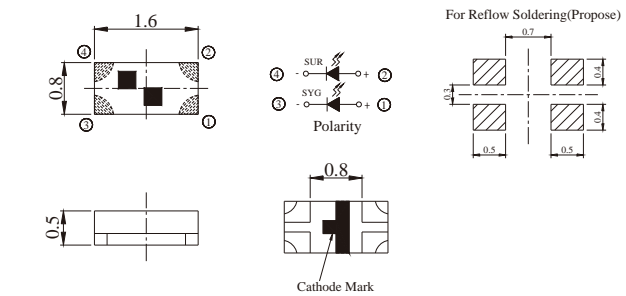
UNIT : mm



Product	Size (LxWxHmm)	Color	λ_d (nm)/ CIE(x,y)	I_v Min./Typ. (mcd)	I_v Max. (mcd)	V_F Min./Typ. (V)	V_F Max. (V)	I_F (mA)
18-225/B6R6C-C01/3T	1.6x0.8x0.5	● Blue ● Brilliant Red	B6 : 470 R6 : 624	B6 : 18 / 28.5 R6 : 18 / 28.5	-	B6 : 2.7 / 3.3 R6 : 1.7 / 2.0	B6 : 3.7 R6 : 2.4	5
18-225/R6G6C-A01/3T	1.6x0.8x0.5	● Brilliant Red ● Brilliant Yellow Green	R6 : 624 G6 : 573	R6 : 45 G6 : 28.5	R6 : 112 G6 : 72	R6 : 1.7 / 2 G6 : 1.7 / 2	R6 : 2.4 G6 : 2.4	20
18-225/S2G6C-A01/3T	1.6x0.8x0.5	● Brilliant Orange ● Brilliant Yellow Green	S2 : 605 G6 : 573	S2 : 32 / 48 G6 : 16 / 24	-	S2 : 1.7 / 2 G6 : 1.7 / 2	S2 : 2.4 G6 : 2.4	20



UNIT : mm

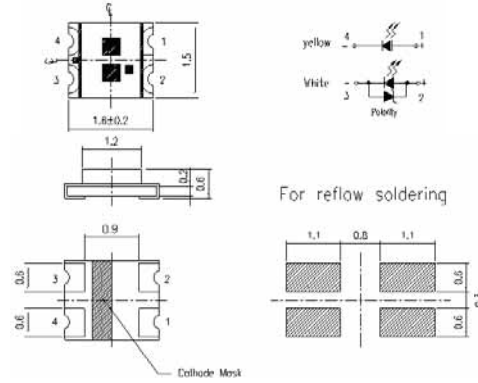


Product	Size (LxWxHmm)	Color	λ_d (nm)/ CIE(x,y)	I_v Min./Typ. (mcd)	I_v Max. (mcd)	V_F Min./Typ. (V)	V_F Max. (V)	I_F (mA)
18-225A/R6GHW-B01/3T	1.6x0.8x0.5	● Brilliant Red ● Brilliant Green	R6 : 624 GH : 525	R6 : 28.5 GH : 72	R6 : 72 GH : 180	R6 : 1.7 / 2 GH : 2.7 / 3.3	R6 : 2.4 GH : 3.7	10

SMD LED | Surface Mount Chip LED (PCB) | Top View Bi-Color



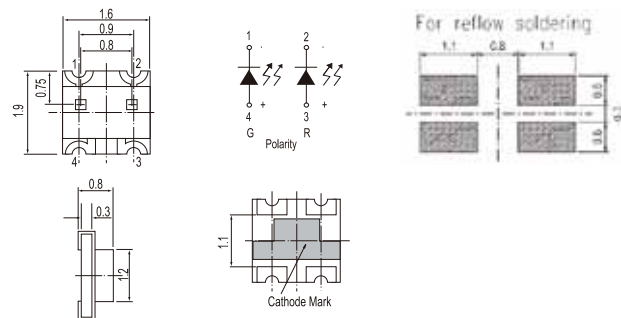
UNIT : mm



Product	Size (LxWxHmm)	Color	λ_d (nm)/CIE(x,y)	I_V Min./Typ. (mcd)	I_V Max. (mcd)	V_F Min./Typ. (V)	V_F Max. (V)	I_F (mA)
19-123/Y2ST1D-C30/2T	1.6x1.5x0.6	● Brilliant Yellow ○ Pure White	Y2S : 589 x=0.274, y=0.226	Y2S : 28.5 T1 : 45	Y2S : 72 T1 : 112	Y2S : 1.7 / 2 T1 : 2.7 / 3.3	Y2S : 2.4 T1 : 3.7	5



UNIT : mm



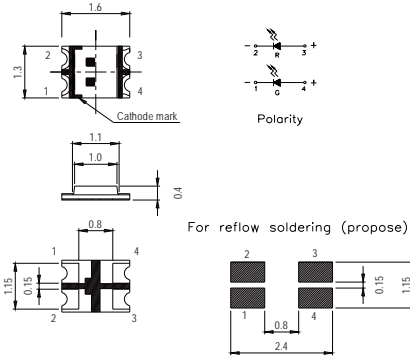
Product	Size (LxWxHmm)	Color	λ_d (nm)/CIE(x,y)	I_V Min./Typ. (mcd)	I_V Max. (mcd)	V_F Min./Typ. (V)	V_F Max. (V)	I_F (mA)
19-22/G6R6C-A31/2T	1.9x1.6x0.8	● Brilliant Yellow Green ● Brilliant Red	G6 : 573 R6 : 624	G6 : 22.5 R6 : 45	G6 : 57 R6 : 90	G6 : 1.7 / 2 R6 : 1.7 / 2	G6 : 2.4 R6 : 2.4	20
19-22/R6BHC-B01/2T	1.9x1.6x0.8	● Brilliant Red ● Blue	R6 : 624 BH : 470	R6 : 14.5 / 20 BH : 14.5 / 20	--	R6 : 1.9 BH : 2.9	R6 : 2.3 BH : 3.3	10
19-22/R6G6C-A01/2T	1.9x1.6x0.8	● Brilliant Red ● Brilliant Yellow Green	R6 : 624 G6 : 573	R6 : 45 G6 : 45	R6 : 72 G6 : 72	R6 : 1.7 / 2 G6 : 1.7 / 2	R6 : 2.4 G6 : 2.4	20
19-22/R6GHC-C02/2T	1.9x1.6x0.8	● Brilliant Red ● Brilliant Green	R6 : 624 GH : 525	R6 : 14.5 / 20 GH : 45 / 65	--	R6 : 1.9 GH : 2.9	R6 : 2.3 GH : 3.4	5
19-22/Y2G6C-A14/2T	1.9x1.6x0.8	● Brilliant Yellow ● Brilliant Yellow Green	Y2 : 589 G6 : 573	Y2 : 45 G6 : 28.5	Y2 : 112 G6 : 72	Y2 : 1.7 / 2 G6 : 1.7 / 2	Y2 : 2.4 G6 : 2.4	20

SMD LED

SMD LED | Surface Mount Chip LED (PCB) | Top View Bi-Color



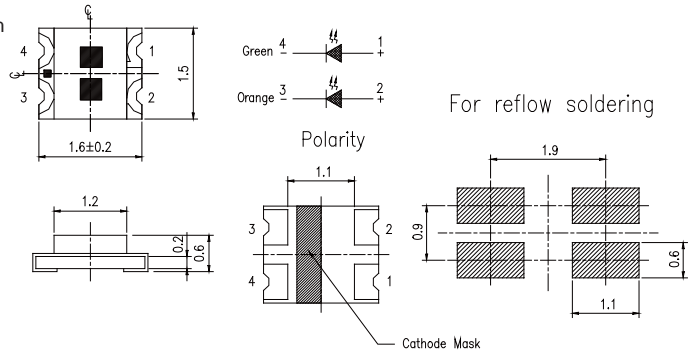
UNIT : mm



Product	Size (LxWxHmm)	Color	λ_d (nm)/CIE(x,y)	I_v Min./Typ. (mcd)	I_v Max./Typ. (mcd)	V_F Min./Typ. (V)	V_F Max. (V)	I_F (mA)
19-226/R6BHC-B01/2T	1.6x1.3x0.4	● Brilliant Red ● Blue	R6 : 624 BH : 470	R6 : 72 BH : 45	Typ. R6 : 100 BH : 80	R6 : 1.7 / 2 BH : 2.7 / 3.3	R6 : 2.4 BH : 3.7	10
19-226/R6G7C-B02/2T	1.6x1.3x0.4	● Brilliant Red ● Brilliant Yellow Green	R6 : 624 G7 : 573	R6 : 22.5 G7 : 7.2	Max. R6 : 57 G7 : 18	R6 : 1.7 / 2 G7 : 1.7 / 2	R6 : 2.4 G7 : 2.4	10
19-226/R6GHC-A03/2T	1.6x1.3x0.4	● Brilliant Red ● Brilliant Green	R6 : 624 GH : 525	R6 : 72 GH : 112	Max. R6 : 140 GH : 225	R6 : 1.7 / 2 GH : 2.7 / 3.3	R6 : 2.4 GH : 3.7	20



UNIT : mm

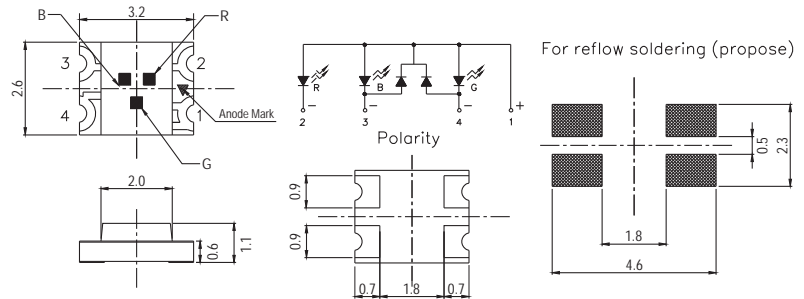


Product	Size (LxWxHmm)	Color	λ_d (nm)/CIE(x,y)	I_v Min./Typ. (mcd)	I_v Max. (mcd)	V_F Min./Typ. (V)	V_F Max. (V)	I_F (mA)
19-223/G6S2C-A01/2T	1.6x1.5x0.6	● Brilliant Yellow Green ● Brilliant Orange	G6 : 573 S2 : 605	G6 : 30 S2 : 90	G6 : 60 S2 : 180	G6 : 2 S2 : 2	G6 : 2.4 S2 : 2.4	20
19-223/R6BHC-A05/2T	1.6x1.5x0.6	● Brilliant Red ● Blue	R6 : 624 BH : 470	R6 : 72 BH : 36	R6 : 180 BH : 72	R6 : 1.7 / 2 BH : 2.7 / 3.3	R6 : 2.4 BH : 3.7	20
19-223/R6G6C-A01/2T	1.6x1.5x0.6	● Brilliant Red ● Brilliant Yellow Green	R6 : 624 G6 : 573	R6 : 72 G6 : 22.5	R6 : 180 G6 : 57	R6 : 1.7 / 2 G6 : 1.7 / 2	R6 : 2.4 G6 : 2.4	20
19-223/R7BHC-A30/2T	1.6x1.5x0.6	● Dark Red ● Blue	R7 : 631 BH : 470	R7 : 45 BH : 36	R7 : 112 BH : 90	R7 : 1.7 / 2 BH : 2.7 / 3.3	R7 : 2.4 BH : 2.7 / 3.7	20
19-223/R7G6C-A01/2T	1.6x1.5x0.6	● Dark Red ● Brilliant Yellow Green	R7 : 631 G6 : 573	R7 : 18 G6 : 18	R7 : 72 G6 : 72	R7 : 2 G6 : 2	R7 : 2.4 G6 : 2.4	20
19-223/S2BHC-A01/2T	1.6x1.5x0.6	● Brilliant Orange ● Blue	S2 : 605 BH : 470	S2 : 72 BH : 36	S2 : 140 BH : 72	S2 : 1.7 / 2 BH : 3	S2 : 2.4 BH : 3.5	20
19-223/S2T1D-C30/2T	1.6x1.5x0.6	● Brilliant Orange ○ Pure White	S2 : 605 x=0.274, y=0.226	S2 : 18 T1 : 45	S2 : 45 T1 : 112	S2 : 1.55 T1 : 2.7	S2 : 2.15 T1 : 3.3	5
19-223/Y2G6C-A01/2T	1.6x1.5x0.6	● Brilliant Yellow ● Brilliant Yellow Green	Y2 : 589 G6 : 573	Y2 : 36 G6 : 28.5	Y2 : 72 G6 : 57	Y2 : 1.7 / 2 G6 : 1.7 / 2	Y2 : 2.4 G6 : 2.4	20

SMD LED | Surface Mount Chip LED (PCB) | Top View Full Color



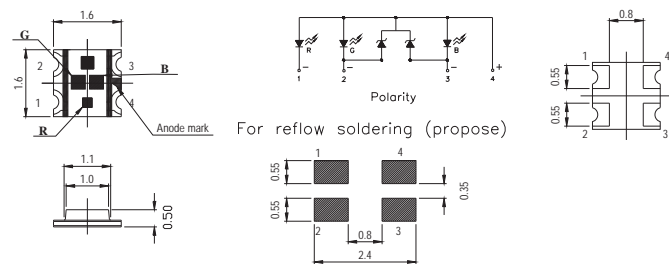
UNIT : mm



Product	Size (LxWxHmm)	Color	λ_d (nm)/ CIE(x,y)	I_v Min./Typ. (mcd)	I_v Max. (mcd)	V_F Min./Typ. (V)	V_F Max. (V)	I_F (mA)
15-13D/R6GHBHC-A01/2T	3.2x2.6x1.1	<ul style="list-style-type: none"> ● Brilliant Red ● Brilliant Green ● Blue 	R6 : 624 GH : 525 BH : 470	R6 : 90 / 140 GH : 112 / 180 BH : 45 / 70	--	R6 : 1.7 / 2 GH : 2.7 / 3.3 BH : 2.7 / 3.3	R6 : 2.4 GH : 3.7 BH : 3.7	20



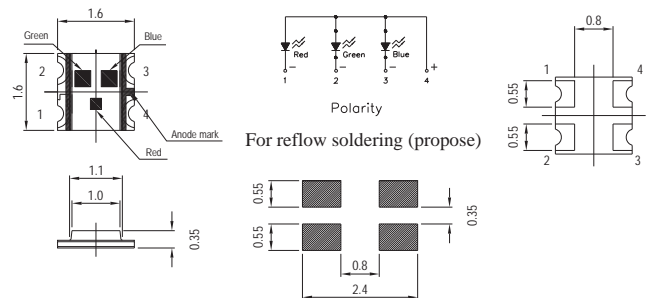
UNIT : mm



Product	Size (LxWxHmm)	Color	λ_d (nm)/ CIE(x,y)	I_v Min./Typ. (mcd)	I_v Max. (mcd)	V_F Min./Typ. (V)	V_F Max. (V)	I_F (mA)
19-137/R6GHBHC-A01/2T	1.6x1.6x0.5	<ul style="list-style-type: none"> ● Brilliant Red ● Brilliant Green ● Blue 	R6 : 624 GH : 525 BH : 470	R6 : 72 / 100 GH : 112 / 180 BH : 28.5 / 50	--	R6 : 1.7 / 2 GH : 2.7 / 3.3 BH : 2.7 / 3.3	R6 : 2.4 GH : 3.7 BH : 3.7	20



UNIT : mm

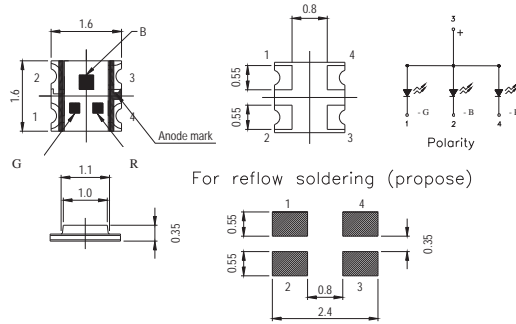


Product	Size (LxWxHmm)	Color	λ_d (nm)/ CIE(x,y)	I_v Min./Typ. (mcd)	I_v Max. (mcd)	V_F Min./Typ. (V)	V_F Max. (V)	I_F (mA)
19-237/R6GHBHC-A04/2T	1.6x1.6x0.35	<ul style="list-style-type: none"> ● Brilliant Red ● Brilliant Green ● Blue 	R6 : 624 GH : 525 BH : 470	R6 : 18 / 30 GH : 28.5 / 60 BH : 11.5 / 18	--	R6 : 1.9 GH : 2.6 BH : 2.6	R6 : 2.2 GH : 3 BH : 3	20

SMD LED | Surface Mount Chip LED (PCB) | Top View Full Color



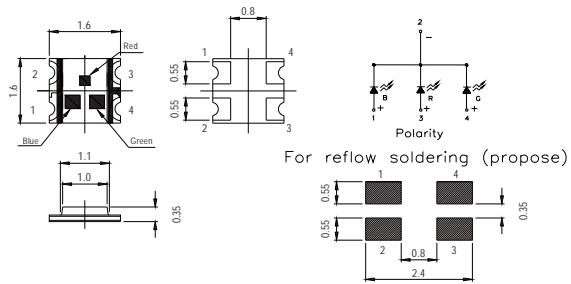
UNIT : mm



Product	Size (LxWxHmm)	Color	λ_d (nm)/ CIE(x,y)	I_v Min./Typ. (mcd)	I_v Max. (mcd)	V_F Min./Typ. (V)	V_F Max. (V)	I_F (mA)
19-237A/BHR6GHC-A01/2T	1.6x1.6x0.35	<ul style="list-style-type: none"> ● Blue ● Brilliant Red ● Brilliant Green 	BH : 470 R6 : 624 GH : 525	BH : 28.5 / 50 R6 : 72 / 100 GH : 112 / 180	-	BH : 3.3 R6 : 2 GH : 3.3	BH : 3.9 R6 : 2.4 GH : 3.9	20



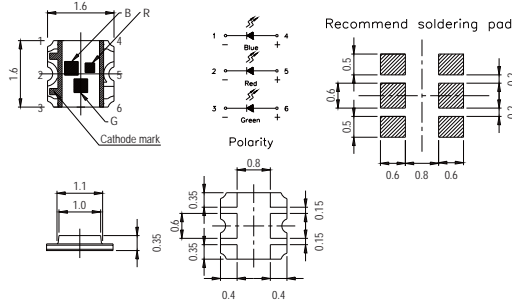
UNIT : mm



Product	Size (LxWxHmm)	Color	λ_d (nm)/ CIE(x,y)	I_v Min./Typ. (mcd)	I_v Max. (mcd)	V_F Min./Typ. (V)	V_F Max. (V)	I_F (mA)
19-237B/R6GHBHC-C01/2T	1.6x1.6x0.35	<ul style="list-style-type: none"> ● Brilliant Red ● Brilliant Green ● Blue 	R6 : 624 GH : 525 BH : 470	R6 : 18 / 30 GH : 28.5 / 60 BH : 11.5 / 18	R6 : 57 GH : 112 BH : 28.5	R6 : 1.7 / 2 GH : 2.6 / 3 BH : 2.6 / 3	R6 : 2.2 GH : 3.3 BH : 3.3	5



UNIT : mm

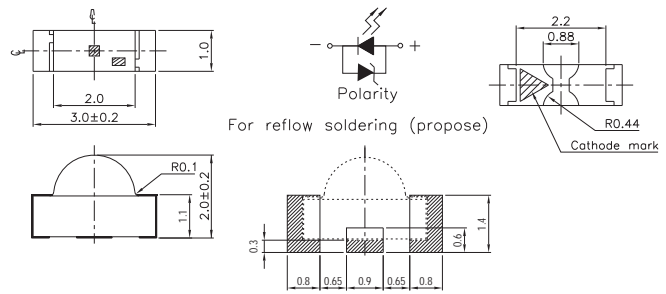


Product	Size (LxWxHmm)	Color	λ_d (nm)/ CIE(x,y)	I_v Min./Typ. (mcd)	I_v Max. (mcd)	V_F Min./Typ. (V)	V_F Max. (V)	I_F (mA)
19-337/R6GHBHC-A01/2T	1.6x1.6x0.35	<ul style="list-style-type: none"> ● Brilliant Red ● Brilliant Green ● Blue 	R6 : 624 GH : 525 BH : 470	R6 : 72 / 100 GH : 140 / 180 BH : 36 / 50	--	R6 : 2.0 GH : 3.3 BH : 3.3	R6 : 2.4 GH : 3.9 BH : 3.9	20

SMD LED | Surface Mount Chip LED (PCB) | Side View (0.2T~1.0T)



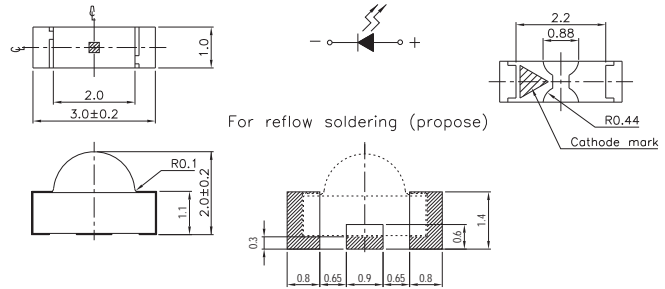
UNIT : mm



Product	Size (LxWxHmm)	Color	λ_d (nm)/CIE(x,y)	I_v Min./Typ. (mcd)	I_v Max. (mcd)	V_f Min./Typ. (V)	V_f Max. (V)	I_f (mA)
12-11/BHC-ZL1M2QY/2C	3x2x1	● Blue	470	11.5	28.5	2.7	3.2	5



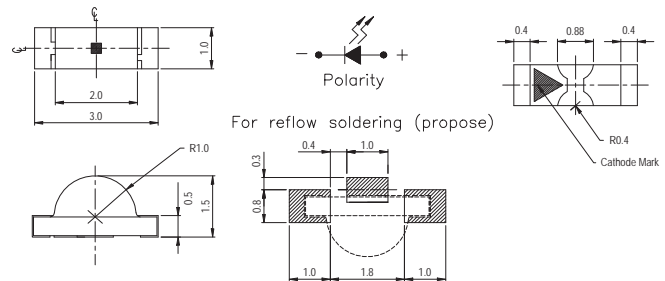
UNIT : mm



Product	Size (LxWxHmm)	Color	λ_d (nm)/CIE(x,y)	I_v Min./Typ. (mcd)	I_v Max. (mcd)	V_f Min./Typ. (V)	V_f Max. (V)	I_f (mA)
12-21/BHC-AN1P2/2C	3x2x1	● Blue	470	28.5	72	2.7 / 3.3	3.7	20
12-21/BHC-ZL1M2RY/2C	3x2x1	● Blue	470	11.5	28.5	2.5	3.1	5
12-21/GHC-YR2S2/2C	3x2x1	● Brilliant Green	525	140	285	3.5	4.3	20
12-21/R8C-AN1P2B/2D	3x2x1	● Deep Red	639	28.5	72	1.75	2.35	20
12-21/T3D-AQ2S2M/2C	3x2x1	○ Pure White	x=0.274, y=0.226	90	285	2.75	3.95	20



UNIT : mm

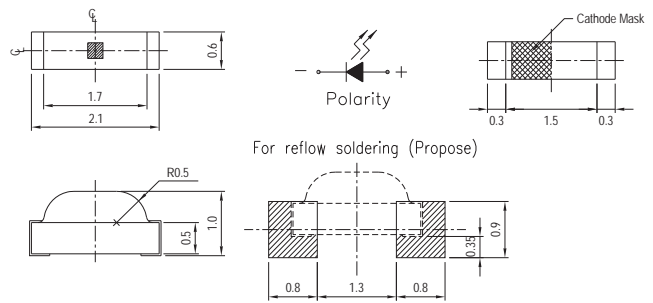


Product	Size (LxWxH mm)	Color	λ_d (nm)/CIE(x,y)	I_v Min./Typ. (mcd)	I_v Max. (mcd)	V_f Min./Typ. (V)	V_f Max. (V)	I_f (mA)
12-21C/BHC-AN1P2/2C	3x1.5x1	● Blue	470	28.5	72	2.7 / 3.3	3.7	20
12-21C/BHC-YL1M2HY/2C	3x1.5x1	● Blue	470	11.5	28.5	2.7	3.15	5
12-21C/T3D-CP1Q2B12Y/2C	3x1.5x1	○ Pure White	x=0.274, y=0.226	45	112	2.7	3.4	5

SMD LED | Surface Mount Chip LED (PCB) | Side View (0.2T~1.0T)



UNIT : mm

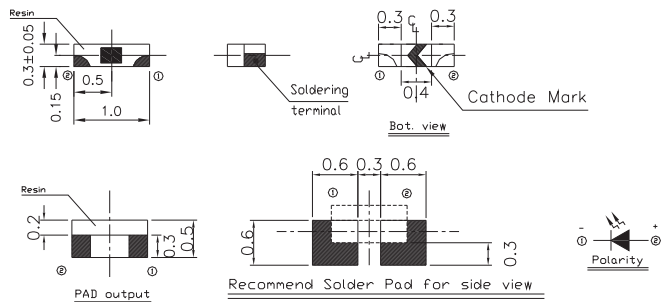


Product	Size (LxWxHmm)	Color	λ_d (nm)/CIE(x,y)	I_v Min./Typ. (mcd)	I_v Max. (mcd)	V_F Min./Typ. (V)	V_F Max. (V)	I_F (mA)
12-215/BHC-AN1P2/3C	2.1x1x0.6	● Blue	470	28.5	72	3.5	4	20
12-215/BHC-XL1M2HY/3C	2.1x1x0.6	● Blue	470	11.5	28.5	2.7	3.15	5
12-215/G6C-AL2M2B/3C	2.1x1x0.6	● Brilliant Yellow Green	573	14.5	28.5	1.75	2.35	20
12-215/G6C-BP1Q2L/3C	2.1x1x0.6	● Brilliant Yellow Green	573	45	112	1.7	2.3	20
12-215/R6C-AR1S1B/3C	2.1x1x0.6	● Brilliant Red	624	112	225	1.75	2.35	20
12-215/T1D-ANPHY/3C	2.1x1x0.6	○ Pure White	x=0.274, y=0.226	28.5	72	2.7	3.15	5
12-215/Y2C-BR1S1L/3C	2.1x1x0.6	● Brilliant Yellow	589	112	225	1.7	2.3	20
12-215/Y2C-CP1Q2B/3C	2.1x1x0.6	● Brilliant Yellow	589	45	112	1.75	2.35	20
12-215/Y2C-CQ1R1B/3C	2.1x1x0.6	● Brilliant Yellow	589	72	140	1.75	2.35	20

SMD LED



UNIT : mm

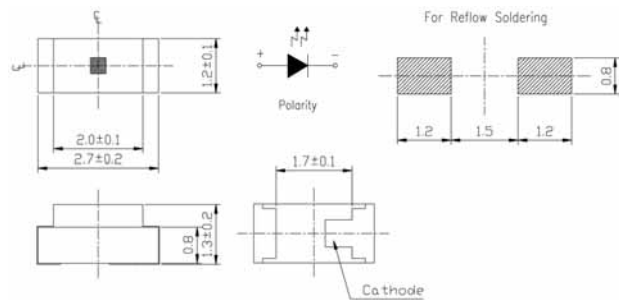


Product	Size (LxWxHmm)	Color	λ_d (nm)/CIE(x,y)	I_v Min./Typ. (mcd)	I_v Max. (mcd)	V_F Min./Typ. (V)	V_F Max. (V)	I_F (mA)
16-916/T1D-AP1Q2QY/3T	1x0.5x0.3	○ Pure White	x=0.274, y=0.226	45	112	2.7	3.2	5

SMD LED | Surface Mount Chip LED (PCB) | Side View (0.2T~1.0T)



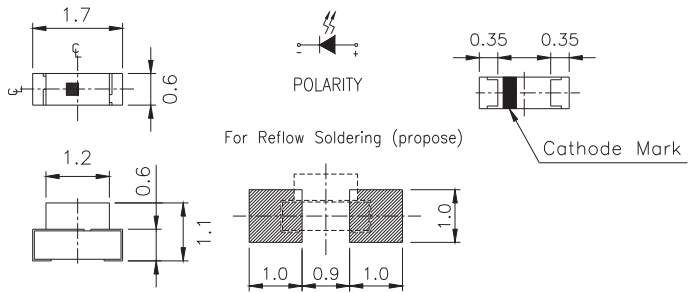
UNIT : mm



Product	Size (LxWxH mm)	Color	λ_d (nm)/CIE(x,y)	I_v Min./Typ. (mcd)	I_v Max. (mcd)	V_f Min./Typ. (V)	V_f Max. (V)	I_f (mA)
22-21/BHC-AN1P2/2C	2.7x1.3x1.2	Blue	470	28.5	72	3.8	4.5	20
22-21/GHC-YR1S2/2C	2.7x1.3x1.2	Brilliant Green	525	112	285	2.7 / 3.3	3.7	20



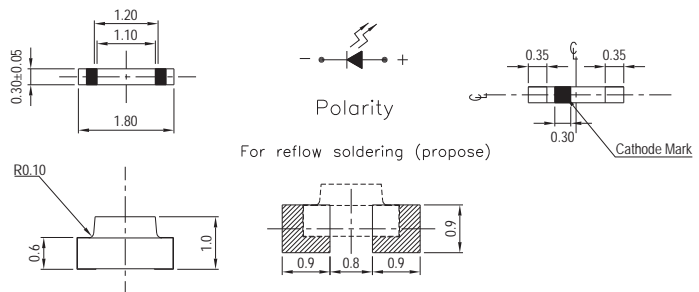
UNIT : mm



Product	Size (LxWxH mm)	Color	λ_d (nm)/CIE(x,y)	I_v Min./Typ. (mcd)	I_v Max. (mcd)	V_f Min./Typ. (V)	V_f Max. (V)	I_f (mA)
27-21/BHC-AN1P2/3C	1.7x1.1x0.6	Blue	470	28.5	72	2.7 / 3.3	3.7	20
27-21/BHC-AP1Q2/3C	1.7x1.1x0.6	Blue	470	45	112	2.7 / 3.3	3.7	20
27-21/GHC-YR1S2M/3C	1.7x1.1x0.6	Brilliant Green	525	112	285	2.75	3.95	20
27-21/R6C-AP1Q2B/3C	1.7x1.1x0.6	Brilliant Red	624	45	112	1.75	2.35	20
27-21/T1D-ANPHY/3C	1.7x1.1x0.6	Pure White	x=0.274, y=0.226	28.5	72	2.7	3.15	5
27-21/T1D-CQ1R2NW/3C	1.7x1.1x0.6	Pure White	x=0.274, y=0.226	72	180	2.7	3.7	15
27-21/T3D-AP2Q2HY/3C	1.7x1.1x0.6	Pure White	x=0.274, y=0.226	57	112	2.7	3.15	5
27-21/Y2C-CPQB/3D	1.7x1.1x0.6	Brilliant Yellow	589	45	112	1.75	2.35	20



UNIT : mm

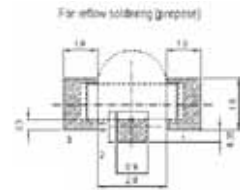
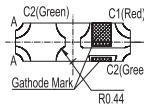
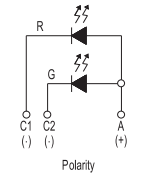
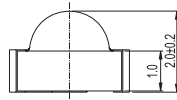
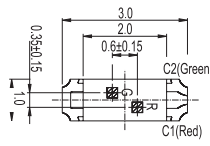


Product	Size (LxWxH mm)	Color	λ_d (nm)/CIE(x,y)	I_v Min./Typ. (mcd)	I_v Max. (mcd)	V_f Min./Typ. (V)	V_f Max. (V)	I_f (mA)
48-213/BHC-ZM2P1QY/3C	1.8x1.0x0.3	Blue	470	22.5	57	2.7	3.2	5
48-213/R6C-AM1N2VY/3C	1.8x1.0x0.3	Brilliant Red	624	18	45	1.7	2.2	5
48-213/T2D-AQ2R2QY/3C	1.8x1.0x0.3	Pure White	x=0.274, y=0.226	90	180	2.7	3.2	5
48-213/T3D-AP1Q2TY/3C	1.8x1.0x0.3	Pure White	x=0.274, y=0.226	45	112	2.6	3	5
48-213/T7D-AQ1R2QY/3C	1.8x1.0x0.3	Pure White	x=0.274, y=0.226	72	180	2.7	3.2	5

SMD LED | Surface Mount Chip LED (PCB) | Side View Bi-Color



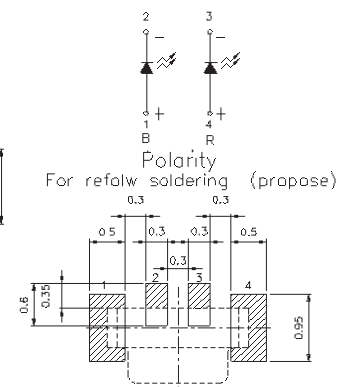
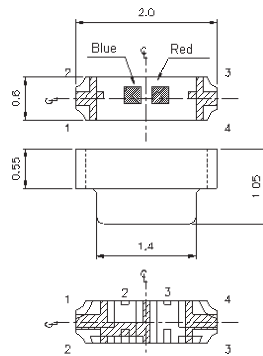
UNIT : mm



Product	Size (LxWxHmm)	Color	λ_d (nm)/ CIE(x,y)	I_v Min./Typ. (mcd)	I_v Max. (mcd)	V_F Min./Typ. (V)	V_F Max. (V)	I_F (mA)
12-22/BHR6C-A01/2C	3.0x2.0x1.0	● Blue ● Brilliant Red	BH : 470 R6 : 624	BH : 18 / 28 R6 : 22.5 / 30	--	BH : 2.7 R6 : 1.7	BH : 3.1 R6 : 2.2	20
12-22/G6R8C-A30/2C	3.0x2.0x1.0	● Brilliant Yellow Green ● Deep Red	G6 : 573 R8 : 639	G6 : 28.5 R8 : 28.5	G6 : 72 R8 : 72	G6 : 1.7 / 2 R8 : 1.7 / 2	G6 : 2.4 R8 : 2.4	20
12-22/R6GHC-A30/2C	3.0x2.0x1.0	● Brilliant Red ● Brilliant Green	R6 : 624 GH : 525	R6 : 72 GH : 112	R6 : 180 GH : 285	R6 : 1.7 / 2 GH : 2.7 / 3.3	R6 : 2.4 GH : 3.7	20
12-22/Y2G6C-A30/2C	3.0x2.0x1.0	● Brilliant Yellow ● Brilliant Yellow Green	Y2 : 589 G6 : 573	Y2 : 45 G6 : 28.5	Y2 : 112 G6 : 72	Y2 : 1.7 / 2 G6 : 1.7 / 2	Y2 : 2.4 G6 : 2.4	20



UNIT : mm

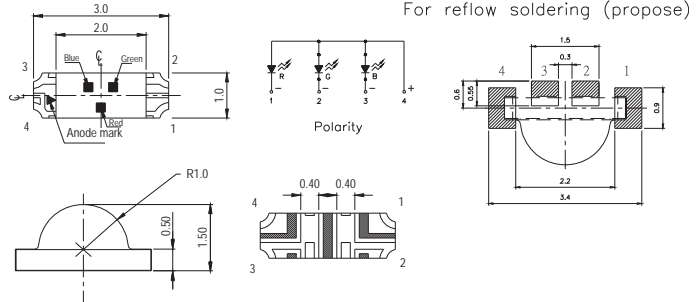


Product	Size (LxWxHmm)	Color	λ_d (nm)/ CIE(x,y)	I_v Min./Typ. (mcd)	I_v Max. (mcd)	V_F Min./Typ. (V)	V_F Max. (V)	I_F (mA)
17-223/BHR7C-C30/3C	2.0x1.05x0.6	● Blue ● Dark Red	BH : 470 R7 : 631	BH : 22.5 R7 : 14.5	BH : 57 R7 : 36	BH : 2.7 R7 : 1.55	BH : 3.2 R7 : 2.15	5

SMD LED | Surface Mount Chip LED (PCB) | Side View Full Color



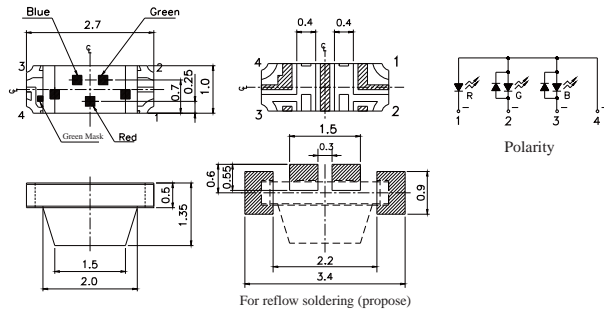
UNIT : mm



Product	Size (LxWxHmm)	Color	λ_d (nm)/ CIE(x,y)	I_v Min./Typ. (mcd)	I_v Max. (mcd)	V_F Min./Typ. (V)	V_F Max. (V)	I_F (mA)
12-23C/R6GHBHC-A01/2C	3.0x1.5x1.0	● Brilliant Red	R6 : 624	R6 : 63 / 90	--	R6 : 2	R6 : 2.4	20
		● Brilliant Green	GH : 525	GH : 125 / 180		GH : 3.3	GH : 3.9	
		● Blue	BH : 470	BH : 32 / 50		BH : 3.3	BH : 3.9	
12-23C/S2GHBHC-A01/2C	3.0x1.5x1.0	● Brilliant Orange	BH : 470	BH : 36 / 65	--	BH : 3.3	BH : 3.9	20
		● Brilliant Green	GH : 525	GH : 140 / 210		GH : 3.3	GH : 3.9	
		● Blue	S2 : 605	S2 : 72 / 140		S2 : 2	S2 : 2.4	



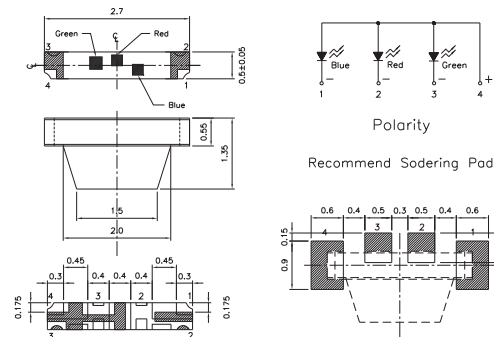
UNIT : mm



Product	Size (LxWxHmm)	Color	λ_d (nm)/ CIE(x,y)	I_v Min./Typ. (mcd)	I_v Max. (mcd)	V_F Min./Typ. (V)	V_F Max. (V)	I_F (mA)
22-23/R6GHBHC-A01/2C	2.7x1.35x1.0	● Brilliant Red ● Brilliant Green ● Blue	R6 : 624 GH : 525 BH : 470	R6 : 45 / 180 GH : 112 / 450 BH : 28.5 / 112	--	R6 : 1.7 / 2 GH : 2.7 / 3.3 BH : 2.7 / 3.3	R6 : 2.4 GH : 3.7 BH : 3.7	20



UNIT : mm



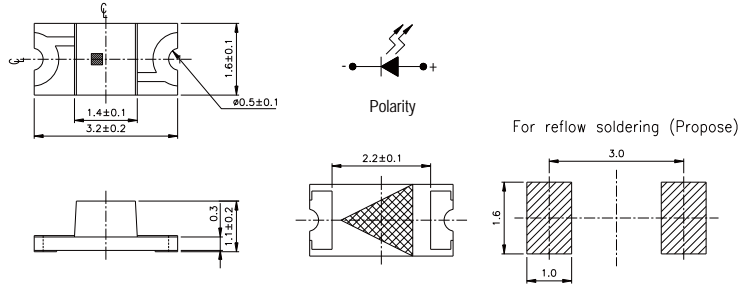
Product	Size (LxWxHmm)	Color	λ_d (nm)/ CIE(x,y)	I_v Min./Typ. (mcd)	I_v Max. (mcd)	V_F Min./Typ. (V)	V_F Max. (V)	I_F (mA)
22-23C/R6GHBHW-C01/2C	2.7x1.35x0.5	● Brilliant Red ● Brilliant Green ● Blue	R6 : 624 GH : 525 BH : 470	R6 : 14.5 GH : 35 BH : 10	R6 : 36 GH : 110 BH : 24.5	R6 : 1.7 / 1.85 GH : 2.7 / 2.9 BH : 2.7 / 2.9	R6 : 2 GH : 3.2 BH : 3.1	5

SMD LED

SMD LED | Surface Mount Chip LED (PCB) | Reverse Mount



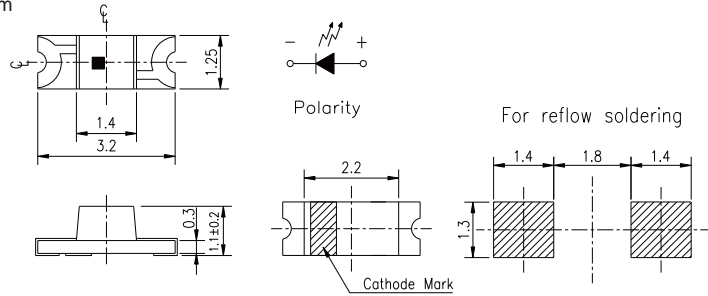
UNIT : mm



Product	Size (LxWxHmm)	Color	λ_d (nm)/CIE(x,y)	I_V Min./Typ. (mcd)	I_V Max. (mcd)	V_F Min./Typ. (V)	V_F Max. (V)	I_F (mA)
23-21/G6C-AL2N1/2T	3.2x1.6x1.1	● Brilliant Yellow Green	573	14.5	36	1.7 / 2	2.4	20
23-21/GHC-YR2T1/2A	3.2x1.6x1.1	● Brilliant Green	525	140	360	3.5	3.9	20
23-21/R6C-AM1N2AY/2A	3.2x1.6x1.1	● Brilliant Red	624	18	45	1.55	2.15	5
23-21/R8C-AN2Q1B/2T	3.2x1.6x1.1	● Deep Red	639	36	90	1.75	2.35	20



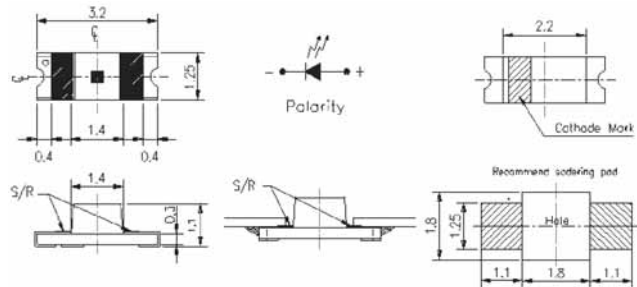
UNIT : mm



Product	Size (LxWxHmm)	Color	λ_d (nm)/CIE(x,y)	I_V Min./Typ. (mcd)	I_V Max. (mcd)	V_F Min./Typ. (V)	V_F Max. (V)	I_F (mA)
23-21B/BHC-AN1P2/2A	3.2x1.25x1.1	● Blue	470	28.5	72	3.5	4	20
23-21B/BHC-ZM1N2TY/2A	3.2x1.25x1.1	● Blue	470	18	45	2.6	3	5
23-21B/G6C-AM2P1/2A	3.2x1.25x1.1	● Brilliant Yellow Green	573	22.5	57	1.7 / 2	2.4	20
23-21B/S2C-AP1Q2B/2A	3.2x1.25x1.1	● Brilliant Orange	605	45	112	1.75	2.35	20
23-21B/T1D-ANQHY/2A	3.2x1.25x1.1	○ Pure White	x=0.274, y=0.226	28.5	112	2.7	3.15	5
23-21B/T1D-CP2Q2TY/2A	3.2x1.25x1.1	○ Pure White	x=0.274, y=0.226	57	112	2.6	3	5
23-21B/W1D-ANQHY/2A	3.2x1.25x1.1	○ Pure White	x=0.274, y=0.226	28.5	112	2.7	3.15	5



UNIT : mm

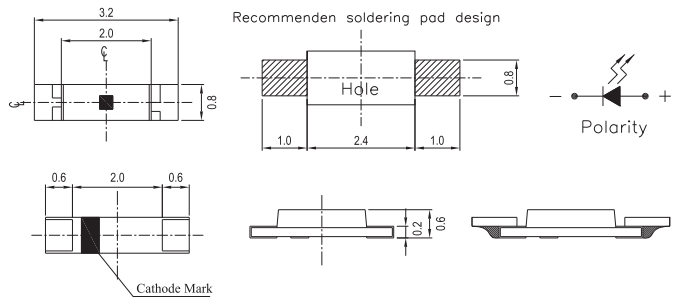


Product	Size (LxWxHmm)	Color	λ_d (nm)/CIE(x,y)	I_V Min./Typ. (mcd)	I_V Max. (mcd)	V_F Min./Typ. (V)	V_F Max. (V)	I_F (mA)
23-21C/T1D-CP2Q2TY/2A	3.2x1.25x1.1	○ White	x=0.274, y=0.226	57	112	Min. 2.6	3	5

SMD LED | Surface Mount Chip LED (PCB) | Reverse Mount



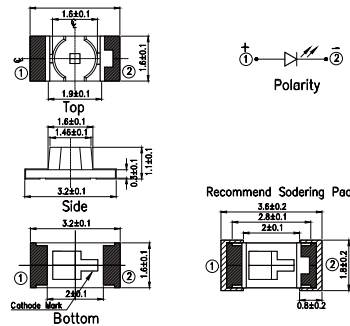
UNIT : mm



Product	Size (LxWxHmm)	Color	λ_d (nm)/CIE(x,y)	I_V Min./Typ. (mcd)	I_V Max. (mcd)	V_F Min./Typ. (V)	V_F Max. (V)	I_F (mA)
23-215A/BHC-DN2P2E/5A	3.2x0.8x0.6	● Blue	470	36	72	2.75	3.65	20

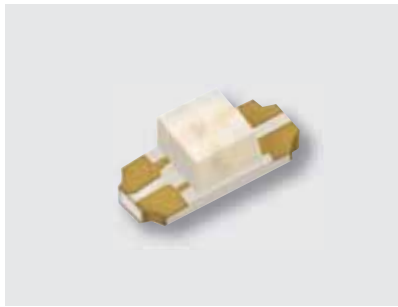


UNIT : mm

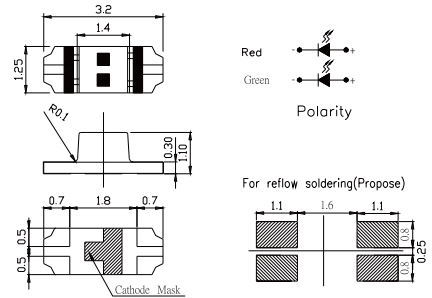


Product	Size (LxWxHmm)	Color	λ_d (nm)/CIE(x,y)	I_V Min./Typ. (mcd)	I_V Max. (mcd)	V_F Min./Typ. (V)	V_F Max. (V)	I_F (mA)
24-21/BHC-AN1P2/2A	3.2x1.6x1.1	● Blue	470	28.5	72	2.7/3.3	3.7	20
24-21/GHC-YR2T1/2A	3.2x1.6x1.1	● Brilliant Green	525	140	360	3.5	4	20

SMD LED | Surface Mount Chip LED (PCB) | Reverse Mount Bi-color



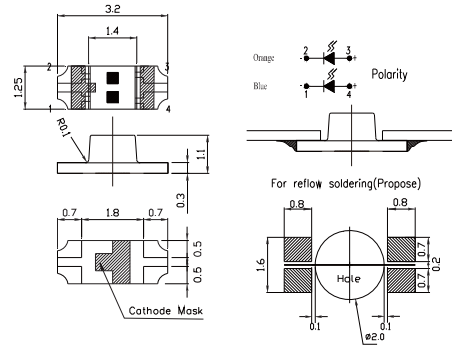
UNIT : mm



Product	Size (LxWxHmm)	Color	λ_d (nm)/ CIE(x,y)	I_V Min./Typ. (mcd)	I_V Max. (mcd)	V_F Min./Typ. (V)	V_F Max. (V)	I_F (mA)
23-22B/R7G6C-A30/2T	3.2x1.25x1.1	<ul style="list-style-type: none"> Dark Red Brilliant Yellow Green 	R7 : 631 G6 : 573	R7 : 18 G6 : 14.5	R7 : 72 G6 : 45	R7 : 1.7 / 2 G6 : 1.7 / 2	R7 : 2.4 G6 : 2.4	20
23-22B/S2BHC-C30/2A	3.2x1.25x1.1	<ul style="list-style-type: none"> Brilliant Orange Blue 	S2 : 605 BH : 470	S2 : 11.5 BH : 11.5	S2 : 28.5 BH : 28.5	S2 : 1.55 / 1.85 BH : 2.5 / 3.1	S2 : 2.25 BH : 3.5	5



UNIT : mm

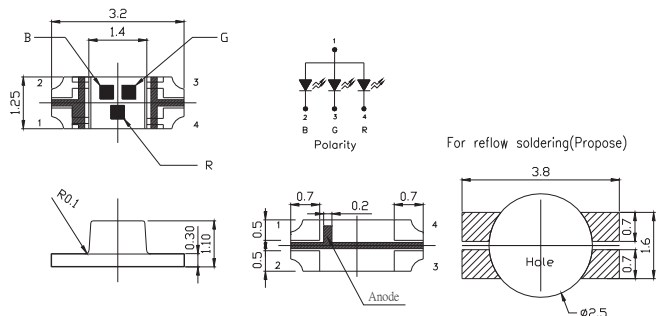


Product	Size (LxWxHmm)	Color	λ_d (nm)/ CIE(x,y)	I_V Min./Typ. (mcd)	I_V Max. (mcd)	V_F Min./Typ. (V)	V_F Max. (V)	I_F (mA)
23-22C/S2BHC-B30/2A	3.2x1.25x1.1	<ul style="list-style-type: none"> Brilliant Orange Blue 	S2 : 605 BH : 470	S2 : 22.5 BH : 22.5	S2 : 57 BH : 57	S2 : 1.7 / 2 BH : 2.7 / 3.3	S2 : 2.4 BH : 3.7	10

SMD LED | Surface Mount Chip LED (PCB) | Reverse Mount Full color



UNIT : mm

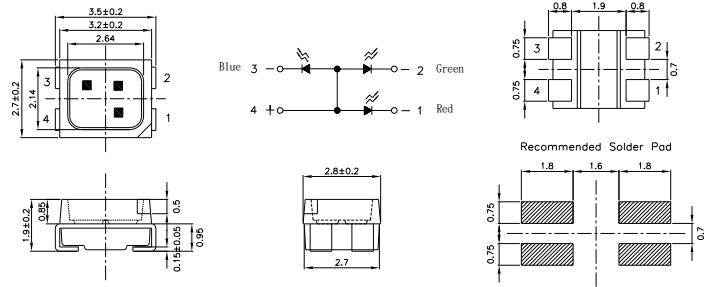


Product	Size (LxWxHmm)	Color	λ_d (nm)/ CIE(x,y)	I_V Min./Typ. (mcd)	I_V Max. (mcd)	V_F Min./Typ. (V)	V_F Max. (V)	I_F (mA)
23-23B/R6GHBHC-A01/2A	3.2x1.25x1.1	<ul style="list-style-type: none"> Brilliant Red Brilliant Green Blue 	R6 : 624 GH : 525 BH : 470	R6 : 72 / 100 GH : 140 / 200 BH : 45 / 65	--	R6 : 1.7 / 2 GH : 2.7 / 3.3 BH : 2.7 / 3.3	R6 : 2.4 GH : 3.7 BH : 3.7	20

SMD LED | Surface Mount PLCC LEDs (Reflector) | Top View LED



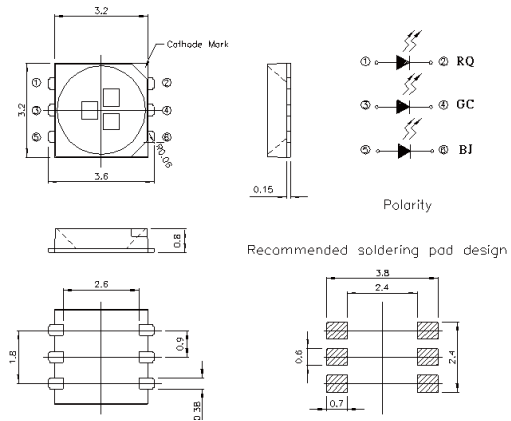
UNIT : mm



Product	Size (LxWxHmm)	Color	λ_d (nm)/CIE(x,y)	I_v Min./Typ. (mcd)	I_v Max. (mcd)	V_F Min./Typ. (V)	V_F Max. (V)	I_F (mA)
67-23/R6GHBHC-B05/2T	3.5x2.8x1.9	R6: ● Brilliant Red GH: ● Brilliant Green BH: ● Blue	R6: 621~631 GH: 520~530 BH: 465~475	R6: 112 GH: 180 BH: 72	R6: 285 GH: 715 BH: 285	R6: 2.0 GH: 3.4 BH: 3.4	R6: 2.4 GH: 3.95 BH: 3.95	20
67-23SDRSYGUBC/TR8	3.5x2.8x1.9	SDR: ● Deep Red SYG: ● Brilliant Yellow Green UB: ● Blue	SDR: 639 SYG: 573 UB: 470	SDR: 63 / 112 SYG: 13 / 20 UB: 11 / 18	--	SDR: 2.0 SYG: 2.0 UB: 3.5	SDR: 2.4 SYG: 2.4 UB: 4.0	20



UNIT : mm

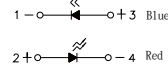
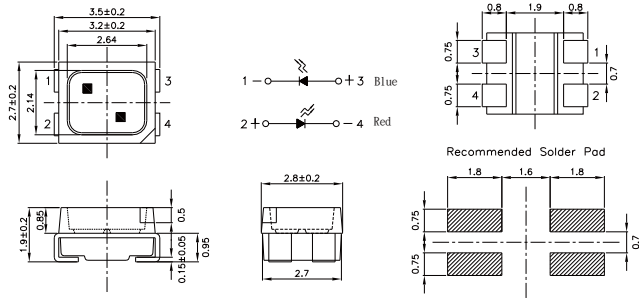


Product	Size (LxWxHmm)	Color	λ_d (nm)/CIE(x,y)	I_v Min./Typ. (mcd)	I_v Max. (mcd)	V_F Min./Typ. (V)	V_F Max. (V)	I_F (mA)
67-235-BJRQGCC-A01E-2T8-CS	3.2x3.2x0.8	● BQ: Super-Red ● GC: Brilliant Green ● BJ: Blue	BQ: 617.5-629.5 GC: 525-535 BJ: 465-475	BQ: 450 GC: 1120 BJ: 225	BQ: 900 GC: 1800 BJ: 450	BQ: 1.75 GC: 2.75 BJ: 2.75	BQ: 2.75 GC: 3.65 BJ: 3.65	20

SMD LED | Surface Mount PLCC LEDs (Reflector) | Top View Bi-Color



UNIT : mm

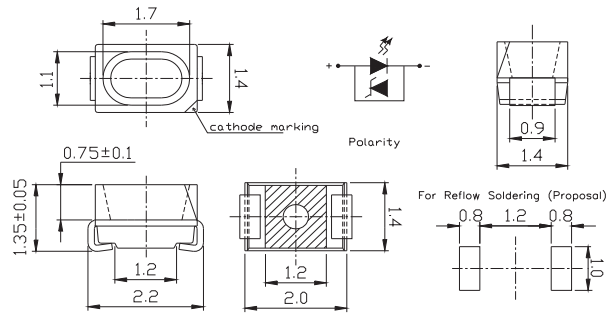


Product	Size (LxWxHmm)	Color	λ_d (nm)	I_v Min./Typ. (mcd)	I_v Max. (mcd)	V_f Min./Typ. (V)	V_f Max. (V)	I_f (mA)
67-22/G3G3C-B45/2T	3.5x2.8x1.9	G3: ● Pale Green G3: ● Pale Green	563.5~571.5	4.5 / 10	36	1.7 / 2.0	2.4	10
67-22/R6BHC-B07/2T	3.5x2.8x1.9	R6: ● Brilliant Red BH: ● Blue	R6 : 621~631 BH : 466.5~471.5	R6 : 90 BH : 90	R6 : 225 BH : 225	R6 : 1.75 BH : 2.9	R6 : 2.35 BH : 3.7	20
67-22/R6G6C-B09/2T	3.5x2.8x1.9	R6: ● Brilliant Red G6: ● Brilliant Yellow Green	R6 : 621~627 G6 : 570~574	R6 : 57 G6 : 36	R6 : 140 G6 : 90	R6 : 1.75 G6 : 1.75	R6 : 2.35 G6 : 2.35	20
67-22/R6Y2C-B31/2T	3.5x2.8x1.9	R6: ● Brilliant Red Y2: ● Brilliant Yellow	R6 : 621~631 Y2 : 586~594	R6 : 72 Y2 : 72	R6 : 285 Y2 : 285	1.75	2.35	20
67-22SURSYGC/ S530-A2/TR8	3.5x2.8x1.9	SUR: ● Brilliant Red SYG: ● Brilliant Yellow Green	SUR : 624 SYG : 573	SUR : 24 / 59 SYG : 16 / 24	--	SUR : 1.7 / 2.0 SYG : 1.7 / 2.0	SUR : 2.4 SYG : 2.4	20
67-22UYSYGC/ S530-A5/TR8	3.5x2.8x1.9	UY: ● Brilliant Yellow SYG: ● Brilliant Yellow Green	UY : 589 SYG : 573	UY : 80 / 120 SYG : 50 / 80	--	UY : 1.7/2.0 SYG : 1.7/2.0	UY : 2.4 SYG : 2.4	20

SMD LED | Surface Mount PLCC LEDs (Reflector) | Top View PLCC2



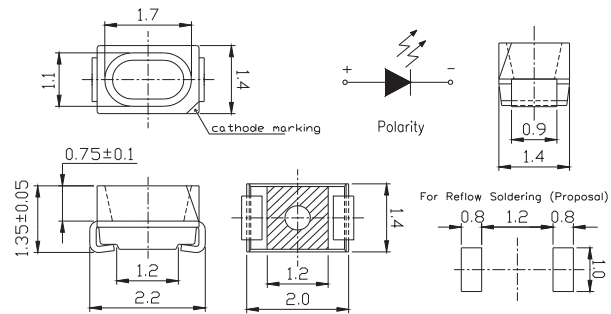
UNIT : mm



Product	Size (LxWxHmm)	Color	λ_d (nm)/CIE(x,y)	I_v Min./Typ. (mcd)	I_v Max. (mcd)	V_F Min./Typ. (V)	V_F Max. (V)	I_F (mA)
65-11/BHC-AR1S2B2/2T	2.2x1.4x1.35	● Blue	464.5~476.5	112	285	2.9	3.6	20
65-11/T2C-FV1W2E/2T	2.2x1.4x1.35	○ Pure White	x=0.283~0.33 y=0.276~0.36	715	1800	2.75	3.65	20



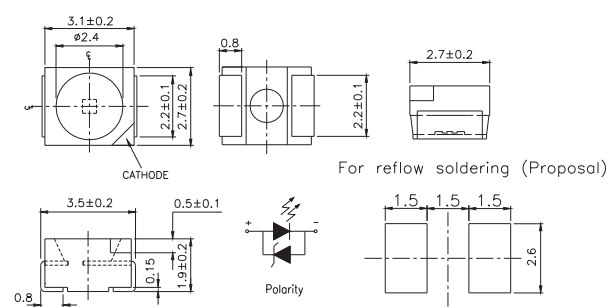
UNIT : mm



Product	Size (LxWxHmm)	Color	λ_d (nm)/CIE(x,y)	I_v Min./Typ. (mcd)	I_v Max. (mcd)	V_F Min./Typ. (V)	V_F Max. (V)	I_F (mA)
65-21/G6C-AN2Q1/3T	2.2x1.4x1.35	● Brilliant Yellow Green	569.5~577.5	36	90	1.75	2.35	20
65-21/Y2C-CJ2L2X/3T	2.2x1.4x1.35	● Brilliant Yellow	586~592	5.8	18	2	2.4	2
65-21/Y2SC-AR1S2B/2T	2.2x1.4x1.35	● Brilliant Yellow	585.5~594.5	112	285	1.75	2.35	20
65-21/Y2SC-FR2S1B/2T	2.2x1.4x1.35	● Brilliant Yellow	586~594	140	225	1.75	2.35	20



UNIT : mm



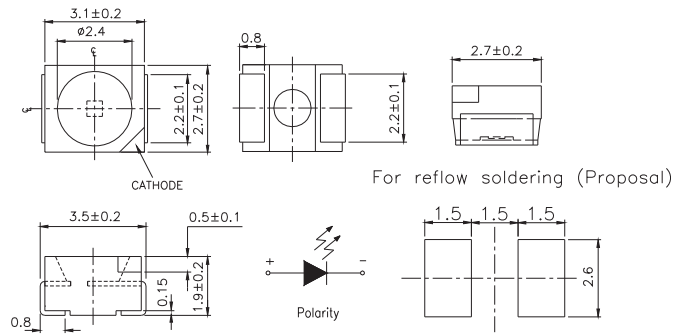
Product	Size (LxWxHmm)	Color	λ_d (nm)/CIE(x,y)	I_v Min./Typ. (mcd)	I_v Max. (mcd)	V_F Min./Typ. (V)	V_F Max. (V)	I_F (mA)
67-11/BHC-FQ2S1F/2T	3.5x2.7x1.9	● Blue	464~472	90	285	2.7	3.5	20
67-11/W1C-ES1T2N/2T	3.5x2.7x1.9	● Warm White	x=0.264~0.330 y=0.248~0.360	180	450	2.7	3.7	20
67-11/W1C-FV1W2F/2T	3.5x2.7x1.9	○ White	x=0.283~0.330 y=0.276~0.360	715	1800	2.7	3.5	20

SMD LED

SMD LED | Surface Mount PLCC LEDs (Reflector) | Top View PLCC2



UNIT : mm



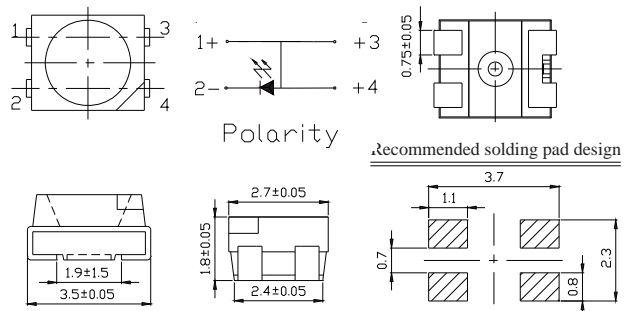
Product	Size (LxWxHmm)	Color	λ_d (nm)/CIE(x,y)	I_v Min./Typ. (mcd)	I_v Max. (mcd)	V_F Min./Typ. (V)	V_F Max. (V)	I_F (mA)
67-21/B3C-BN1Q2N/2T	3.5x2.7x1.9	Blue	464.5~473.5	28.5	112	2.7	3.7	20
67-21/B7C-AS2U1N/2T	3.5x2.7x1.9	Blue	464.5~476.5	225	565	2.7	3.7	20
67-21/GBC-YV2W2N/2T	3.5x2.7x1.9	Brilliant Green	520~535	900	1800	2.7	3.7	20
67-21/GHC-AS2U1B17Z/2T	3.5x2.7x1.9	Brilliant Green	517.5~535.5	225	565	2.5	3.5	10
67-21/GHC-BV1/2T	3.5x2.7x1.9	Brilliant Green	523.5~533.5	715	900	2.7	4.3	20
67-21/R6C-AP2R1B/2T	3.5x2.7x1.9	Brilliant Red	617.5~633.5	57	140	1.75	2.35	20
67-21/R6C-FN2Q1BZ/2T	3.5x2.7x1.9	Brilliant Red	621~631	36	90	1.75	2.35	10
67-21/R6C-FR2T1B/2T	3.5x2.7x1.9	Brilliant Red	621~631	140	360	1.75	2.35	20
67-21/R6C-FS1U1B/2T	3.5x2.7x1.9	Brilliant Red	621~631	180	565	1.75	2.35	20
67-21/RSC-FT2V1B/2T	3.5x2.7x1.9	Brilliant Red	621~631	360	900	1.75	2.35	20
67-21/S2C-FQ2R2B/2T	3.5x2.7x1.9	Brilliant Orange	603~609	90	180	1.75 / 2	2.35	20
67-21/S3C-AS1T1/2T	3.5x2.7x1.9	Reddish Orange	605.5~621.5	180	360	2	2.4	20
67-21/T2C-ZV1W2E/2T	3.5x2.7x1.9	White	x=0.2498~0.296 y=0.2185~0.2950	715	1800	2.75	3.65	20
67-21/Y2C-BR2T1B/2T	3.5x2.7x1.9	Brilliant Yellow	588.5~594.5	140	360	1.75	2.35	20
67-21/YSC-FU1V2B/2T	3.5x2.7x1.9	Brilliant Yellow	586~594	450	1120	1.75	2.35	20

SMD LED

SMD LED | Surface Mount PLCC LEDs (Reflector) | Top View PLCC3

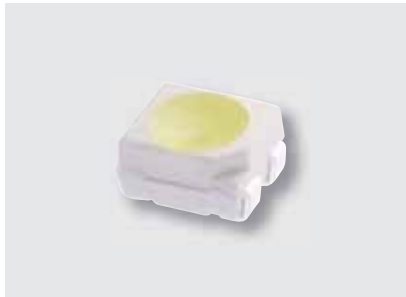


UNIT : mm

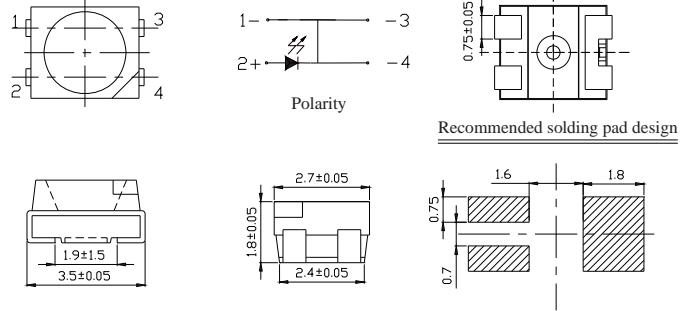


Product	Size (LxWxHmm)	Color	λ_d (nm)/CIE(x,y)	I_v Min./Typ. (mcd)	I_v Max. (mcd)	V_F Min./Typ. (V)	V_F Max. (V)	I_F (mA)
67-31A/B7C-AT1U2MZ3/2T	3.5x2.7x1.8	Blue	464.5~476.5	285	715	2.75	3.95	30
67-31A/GHC-YV1W2EZ3/2T	3.5x2.7x1.8	Green	520~535	715	1800	2.75	3.65	30
67-31A/SAC-AW1X2B9Z5/2T	3.5x2.7x1.8	Reddish Orange	605.5~625.5	1120	2850	1.95	2.75	50

SMD LED | Surface Mount PLCC LEDs (Reflector) | Top View PLCC3



UNIT : mm

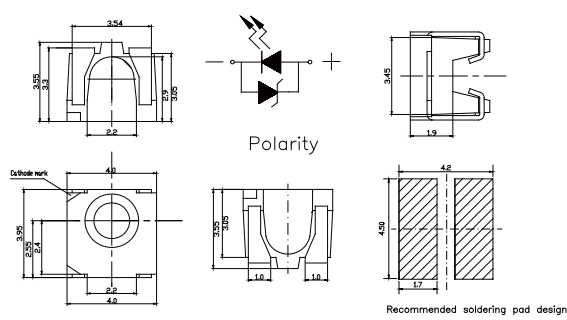


Product	Size (LxWxHmm)	Color	λ_d (nm)/CIE(x,y)	I_v Min./Typ. (mcd)	I_v Max. (mcd)	V_f Min./Typ. (V)	V_f Max. (V)	I_f (mA)
67-31E/RSC-AV1W2B9Z5/2T	3.5x2.7x1.8	● Brilliant Red	617.5~633.5	715	1800	2.15	2.75	50

SMD LED | Surface Mount PLCC LEDs (Reflector) | Side View LED



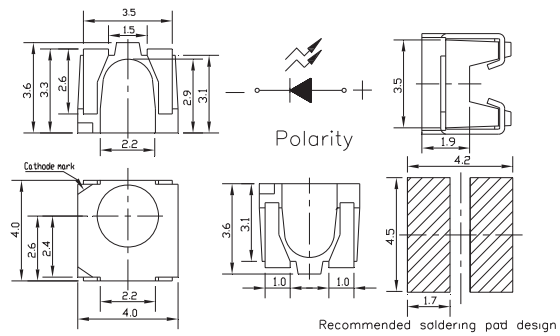
UNIT : mm



Product	Size (LxWxHmm)	Color	λ_d (nm)/CIE(x,y)	I_v Min./Typ. (mcd)	I_v Max. (mcd)	V_f Min./Typ. (V)	V_f Max. (V)
57-11UTC/S827-1/TR8	4.0x4.0x3.6	○ White	x=0.3070~0.3520 y=0.2840~0.3710	900	1800	2.75	3.95

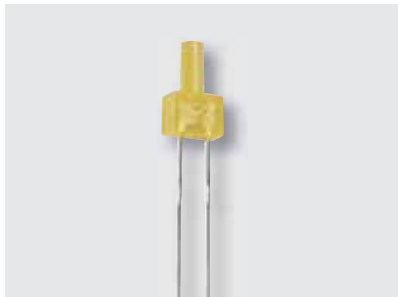


UNIT : mm

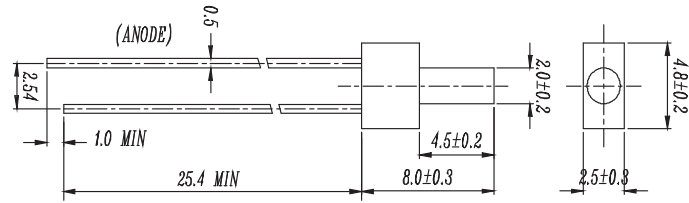


Product	Size (LxWxHmm)	Color	λ_d (nm)/CIE(x,y)	I_v Min./Typ. (mcd)	I_v Max. (mcd)	V_f Min./Typ. (V)	V_f Max. (V)	I_f (mA)
57-21/R6C-AP1Q2B/BF	4.0x4.0x3.6	● Brilliant Red	617.5~633.5	45	112	1.75	2.35	10
57-21SYGC/S530-E3/TR8	4.0x4.0x3.6	● Brilliant Yellow Green	573	32/51	--	1.7 / 2.0	2.4	20

LED Lamps | 2mm Tower Type



UNIT : mm

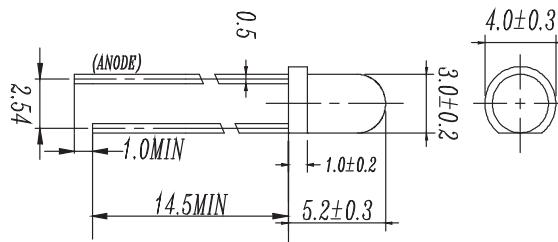


Product	Size (mm)	Color	Lens Type	λ_d (nm) / CIE(x,y)	Resin Color	I_v (Min/Typ) (mcd)	V_F (Typ/Max) (V)	Viewing Angle (°)
103SURD/S530-A3	2	● Brilliant Red	Tower	624	Red Diffused	25 / 40	2.0 / 2.4	130
103SYGD/S530-E2	2	● Brilliant Yellow Green	Tower	573	Green Diffused	6.3 / 12.5	2.0 / 2.4	130
103UYD/S530-A3	3	● Brilliant Yellow	Tower	589	Yellow Diffused	25 / 50	2.0 / 2.4	130

LED Lamps | 3mm Round Type



UNIT : mm

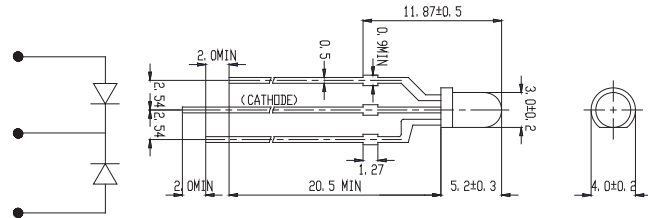


Product	Size (mm)	Color	Lens Type	λ_d (nm) / CIE(x,y)	Resin Color	I_v (Min/Typ) (mcd)	V_F (Typ/Max) (V)	Viewing Angle (°)
204-10SDRD/S530-A3	3	● Deep Red	Round	639	Red Diffused	40 / 80	2.0 / 2.4	50
204-10SUBC/S400-A4	3	● Blue	Round	470	Water Clear	400 / 800	3.4 / 4.0	20
204-10SUGC/S400-A5	3	● Brilliant Green	Round	525	Water Clear	1600 / 3200	3.2 / 3.7	30
204-10SURD/S530-A3	3	● Brilliant Red	Round	624	Red Diffused	40 / 80	2.0 / 2.4	45
204-10SYGD/S530-E3	3	● Brilliant Yellow Green	Round	573	Green Diffused	63 / 100	2.0 / 2.4	45
204-10UYD/S530-A3	3	● Brilliant Yellow	Round	589	Yellow Diffused	100 / 200	2.0 / 2.4	60
204-10UYOC/S530-A3	3	● Brilliant Orange	Round	605	Water Clear	320 / 500	2.0 / 2.4	30

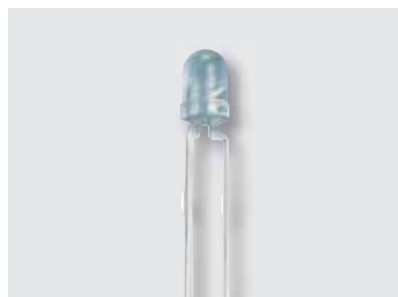
LED Lamps | 3mm Round Type



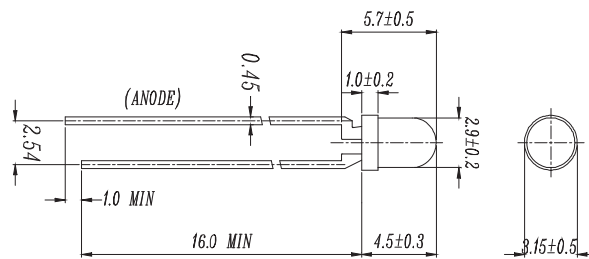
UNIT : mm



Product	Size (mm)	Color	Lens Type	λ_d (nm) / CIE(x,y)	Resin Color	I_V (Min/Typ) (mcd)	V_F (Typ/Max) (V)	Viewing Angle (°)
209SDRSYGW/S530-A3	3	<ul style="list-style-type: none"> ● Deep Red ● Brilliant Yellow Green 	Round	639 / 573	White Diffused	25 / 50 16 / 32	2.0 / 2.4 2.0 / 2.4	80
209SURSYGW/S530-A3	3	<ul style="list-style-type: none"> ● Brilliant Red ● Brilliant Yellow Green 	Round	624 / 573	White Diffused	40 / 80 20 / 40	2.0 / 2.4 2.0 / 2.4	80



UNIT : mm



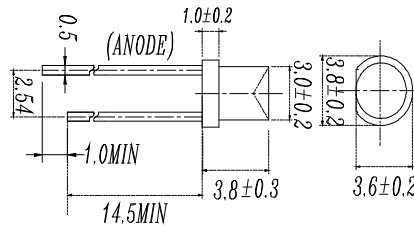
Product	Size (mm)	Color	Lens Type	λ_d (nm) / CIE(x,y)	Resin Color	I_V (Min/Typ) (mcd)	V_F (Typ/Max) (V)	Viewing Angle (°)
264-7SDRC/S530-A3	2.9	● Deep Red	Round	639	Water Clear	40 / 100	2.0 / 2.4	40
264-7SUBC/S400-X9	2.9	● Blue	Round	470	Water Clear	400 / 800	3.3 / 3.7	30
264-7UYOC/S530-A3	2.9	● Brilliant Orange	Round	605	Water Clear	110 / 200	2.0 / 2.4	40
264-7SUGC/S400-A5	2.9	● Brilliant Green	Round	525	Water Clear	1000 / 2000	3.3 / 3.7	30
264-7SURC/S400-A8	2.9	● Brilliant Red	Round	624	Water Clear	400 / 800	2.0 / 2.4	40
264-7SYGC/S530-E3	2.9	● Brilliant Yellow Green	Round	573	Water Clear	100 / 320	2.0 / 2.4	35
264-7UYC/S400-A9	2.9	● Brilliant Yellow	Round	589	Water Clear	400 / 800	2.0 / 2.4	40

LED Lamps

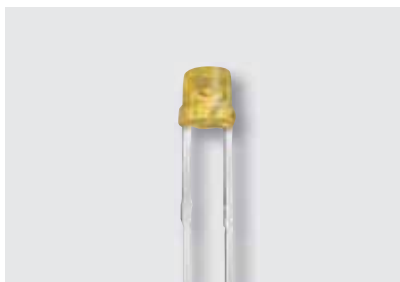
LED Lamps | 3mm Round Type



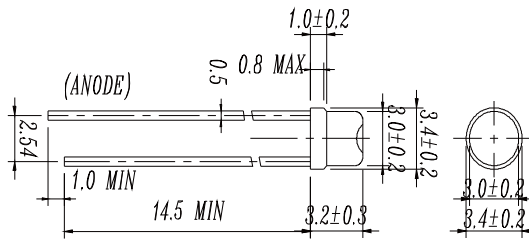
UNIT : mm



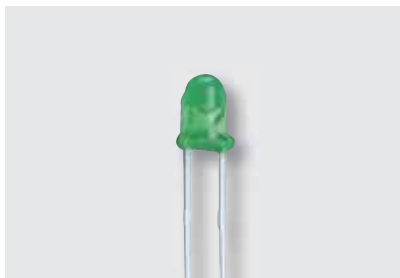
Product	Size (mm)	Color	Lens Type	λ_d (nm) / CIE(x,y)	Resin Color	I_V (Min/Typ) (mcd)	V_F (Typ/Max) (V)	Viewing Angle (°)
484-10SURT/S530-A3	3	● Brilliant Red	Round	624	Red Trans	10 / 20	2.0 / 2.4	130
484-10UYT/S530-A3	3	● Brilliant Yellow	Round	589	Yellow Trans	16 / 32	2.0 / 2.4	110
484-10SYGT/S530-E2	3	● Brilliant Yellow Green	Round	573	Green Trans	6.3 / 12.5	2.0 / 2.4	80
484-10UYOC/S530-A3	3	● Brilliant Orange	Round	605	Water Clear	40 / 80	2.0 / 2.4	160



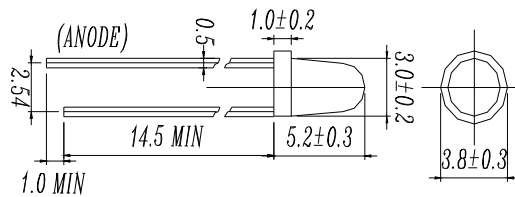
UNIT : mm



Product	Size (mm)	Color	Lens Type	λ_d (nm) / CIE(x,y)	Resin Color	I_V (Min/Typ) (mcd)	V_F (Typ/Max) (V)	Viewing Angle (°)
494-10SURT/S530-A3	3	● Brilliant Red	Round	624	Red Trans	16 / 32	2.0 / 2.4	100
494-10SYGT/S530-E2	3	● Brilliant Yellow Green	Round	573	Green Trans	10 / 20	2.0 / 2.4	100

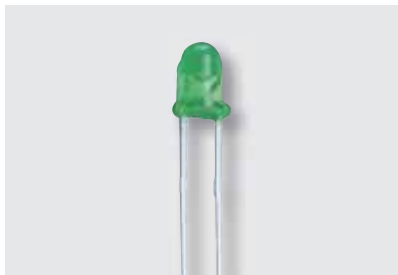


UNIT : mm

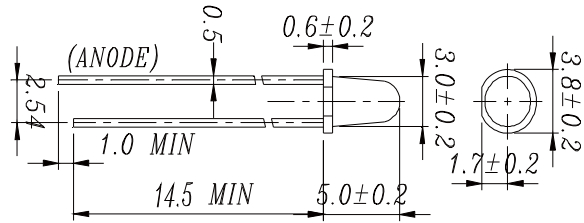


Product	Size (mm)	Color	Lens Type	λ_d (nm)/CIE(x,y)	Resin Color	I_V (Min/Typ) (mcd)	V_F (Typ/Max) (V)	Viewing Angle (°)
1224SYGC/S530-E2	3	● Brilliant Yellow Green	Round	573	Water Clear	63 / 100	2.0 / 2.4	25
1224USOC/S530-A3	3	● Reddish Orange	Round	615	Water Clear	188 / 295	2.0 / 2.4	25
1224UTC/S400-A6	3	○ White	Round	x=0.29, y=0.28	Water Clear	715 / 1800	3.2 / 3.6	25
1224SURC/S530-A3	3	● Brilliant Red	Round	624	Water Clear	160 / 400	2.0 / 2.4	20
1224UYC/S530-A3	3	● Brilliant Yellow	Round	589	Water Clear	160 / 320	2.0 / 2.4	25
1224SDRC/S530-A4	3	● Deep Red	Round	639	Water Clear	250 / 500	2.0 / 2.4	25
1224SUGC/S400-A5	3	● Brilliant Green	Round	525	Water Clear	1600 / 2000	3.3 / 3.7	30

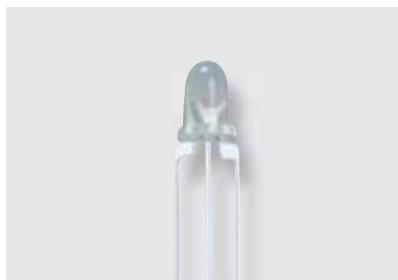
LED Lamps | 3mm Round Type



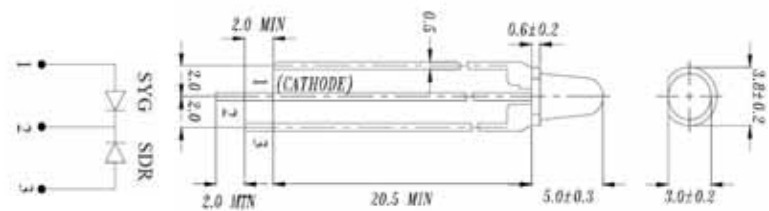
UNIT : mm



Product	Size (mm)	Color	Lens Type	λ_d (nm) / CIE(x,y)	Resin Color	I_V (Min/Typ) (mcd)	V_F (Typ/Max) (V)	Viewing Angle (°)
1254-10SDRT/S530-A3	3	● Deep Red	Round	639	Red Trans	160 / 320	2.0 / 2.4	30
1254-10SURT/S530-A3	3	● Brilliant Red	Round	624	Red Trans	160 / 320	2.0 / 2.4	30
1254-10SYGT/S530-E2	3	● Brilliant Yellow Green	Round	573	Green Trans	160 / 320	2.0 / 2.4	30
1254-10UYD/S530-A3	3	● Brilliant Yellow	Round	589	Yellow Diffused	100 / 200	2.0 / 2.4	30
1254-10UYOT/S530-A3	3	● Brilliant Orange	Round	605	Yellow OrangeTrans	250 / 500	2.0 / 2.4	30



UNIT : mm

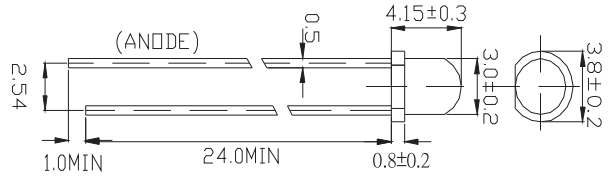


Product	Size (mm)	Color	Lens Type	λ_d (nm)/CIE(x,y)	Resin Color	I_V (Min/Typ) (mcd)	V_F (Typ/Max) (V)	Viewing Angle (°)
1259-7SDRSYGW/S530-A3	3	● Deep Red ● Brilliant Yellow Green	Round	639 / 573	White Diffused	16 / 32 25 / 50	2.0 / 2.4 2.0 / 2.4	50
1259-7SURSYGW/S530-A3	3	● Brilliant Red ● Brilliant Yellow Green	Round	624 / 573	White Diffused	40 / 80 16 / 32	2.0 / 2.4 2.0 / 2.4	60
1259-7UYSYGW/S530-A3	3	● Brilliant Yellow ● Brilliant Yellow Green	Round	589 / 573	White Diffused	63 / 125 40 / 80	2.0 / 2.4 2.0 / 2.4	40

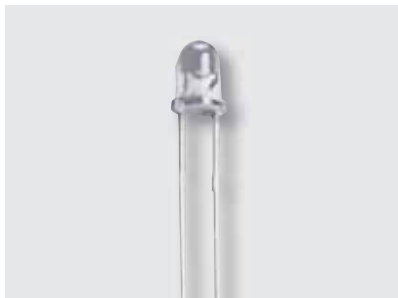
LED Lamps | 3mm Round Type



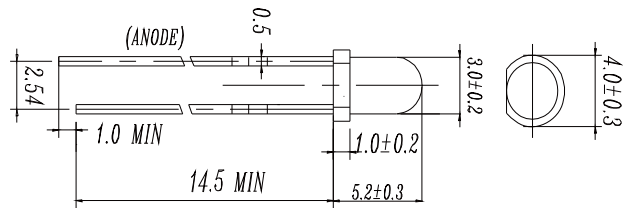
UNIT : mm



Product	Size (mm)	Color	Lens Type	λ_d (nm)/ CIÉ(x,y)	Resin Color	I_V (Min/Typ) (mcd)	V_F (Typ/Max) (V)	Viewing Angle (°)
3294-15SUBC/S400-A6	3	● Blue	Round	470	Water Clear	160 / 320	3.4 / 4.0	90
3294-15SUGC/S400-A6	3	● Brilliant Green	Round	525	Water Clear	500 / 1250	3.4 / 4.0	45
3294-15SURC/S400-A7	3	● Brilliant Red	Round	624	Water Clear	100 / 200	2.0 / 2.4	90
3294-15UBGC/S400-A6	3	● Bluish Green	Round	505	Water Clear	400 / 800	3.5 / 4.3	90

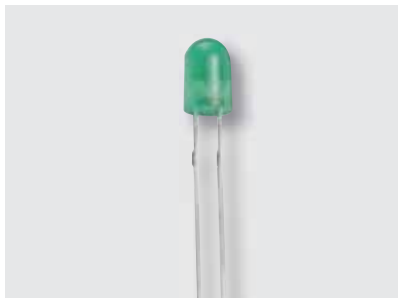


UNIT : mm

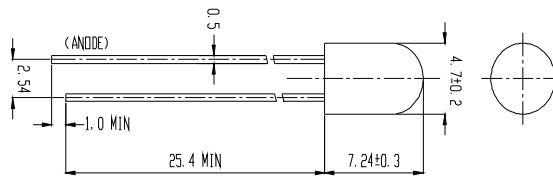


Product	Size (mm)	Color	Lens Type	λ_d (nm)/ CIÉ(x,y)	Resin Color	I_V (Min/Typ) (mcd)	V_F (Typ/Max) (V)	Viewing Angle (°)
4204-10SYGC/S530-E4	3	● Brilliant Yellow Green	Round	573	Water Clear	250 / 500	2.0 / 2.4	20
4204-10SURC/S530-A3	3	● Brilliant Red	Round	624	Water Clear	320 / 500	2.0 / 2.4	25

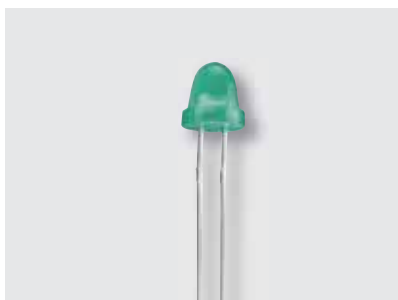
LED Lamps | 5mm Round Type



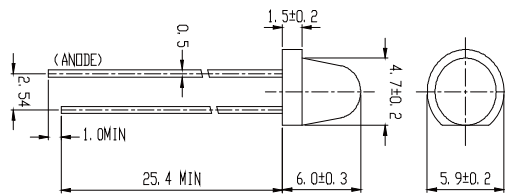
UNIT : mm



Product	Size (mm)	Color	Lens Type	λ_d (nm)/CIE(x,y)	Resin Color	I_V (Min/Typ) (mcd)	V_F (Typ/Max) (V)	Viewing Angle (°)
313-2SYGC/S530-E2	4.7	● Brilliant Yellow Green	Round	573	Water Clear	250 / 500	2.0 / 2.4	20
313-2UYD/S530-A3	4.7	● Brilliant Yellow	Round	589	Yellow Diffused	100 / 200	2.0 / 2.4	50
313-2SUBC/C470/S400-A4	4.7	● Blue	Round	470	Water Clear	630 / 1000	3.4 / 4.0	20



UNIT : mm



Product	Size (mm)	Color	Lens Type	λ_d (nm)/CIE(x,y)	Resin Color	I_V (Min/Typ) (mcd)	V_F (Typ/Max) (V)	Viewing Angle (°)
323-2SURD/S530-A3	4.7	● Brilliant Red	Round	624	Red Diffused	63 / 100	2.0 / 2.4	40
323-2SYGD/S530-E2	4.7	● Brilliant Yellow Green	Round	573	Green Diffused	40 / 80	2.0 / 2.4	60
323-2SDRD/S530-A3	4.7	● Deep Red	Round	639	Red Diffused	25 / 50	2.0 / 2.4	60

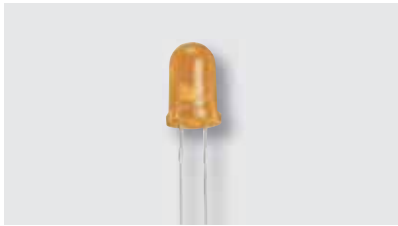


UNIT : mm

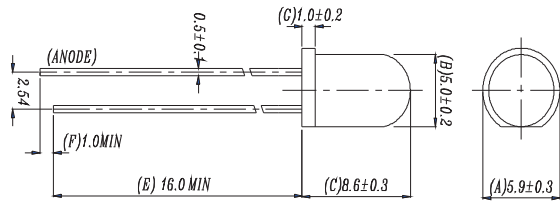


Product	Size (mm)	Color	Lens Type	λ_d (nm)/CIE(x,y)	Resin Color	I_V (Min/Typ) (mcd)	V_F (Typ/Max) (V)	Viewing Angle (°)
336SURSYGW/S530-A3	5	● Brilliant Red ● Brilliant Yellow Green	Round	624 / 573	White Diffused	16 / 32 16 / 32	2.0 / 2.4 2.0 / 2.4	90
336SYGSYGD/S530-E2	5	● Brilliant Yellow Green	Round	573 / 573	Green Diffused	8 / 16	2.0 / 2.4	90
336UYSYGW/S530-A3	5	● Brilliant Yellow ● Brilliant Yellow Green	Round	589/573	White Diffused	40 / 80 16 / 32	2.0 / 2.4 2.0 / 2.4	80

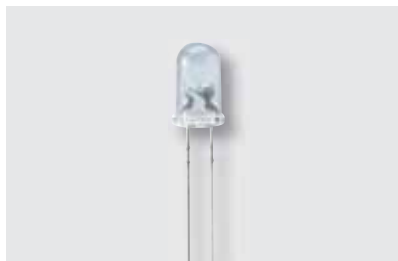
LED Lamps | 5mm Round Type



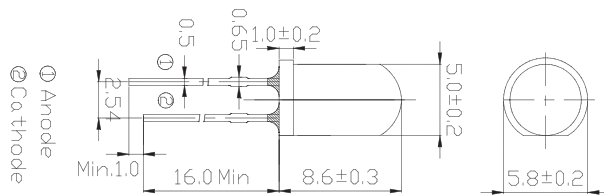
UNIT : mm



Product	Size (mm)	Color	Lens Type	λ_d (nm)/CIE(x,y)	Resin Color	I_v (Min/Typ) (mcd)	V_F (Typ/Max) (V)	Viewing Angle (°)
333-2SDRC/S530-A4	5	● Deep Red	Round	639	Water Clear	400 / 1000	2.0 / 2.4	10
333-2SUBC/C470/S400-A6	5	● Blue	Round	470	Water Clear	1000 / 2000	3.4 / 4.0	10
333-2SUGC/S400-A5	5	● Brilliant Green	Round	525	Water Clear	4000 / 8000	3.4 / 4.0	15
333-2SURC/S400-A8	5	● Brilliant Red	Round	624	Water Clear	3200 / 5000	2.0 / 2.4	10
333-2SYGC/S530-E2	5	● Brilliant Yellow Green	Round	573	Water Clear	400 / 800	2.0 / 2.4	10
333-2UYC/S400-A4	5	● Brilliant Yellow	Round	589	Water Clear	1432 / 2148	2.0 / 2.4	10
333-2UYC/S530-A3	5	● Brilliant Yellow	Round	589	Water Clear	630 / 1600	2.0 / 2.4	10
333-2UYOC/S530-A3-L	5	● Yellow Orange	Round	605	Water Clear	630 / 1250	2.0 / 2.4	10

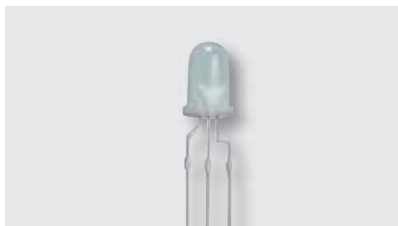


UNIT : mm

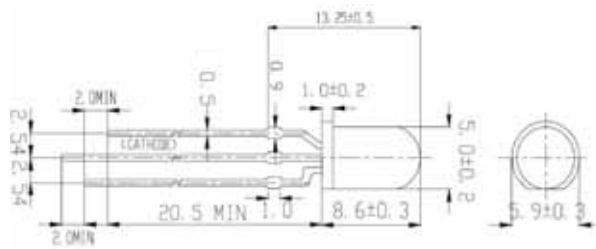


Product	Size (mm)	Color	Lens Type	λ_d (nm)/CIE(x,y)	Resin Color	I_v (Min/Typ) (mcd)	V_F (Typ/Max) (V)	Viewing Angle (°)
334-15/F1C1-1XZA	5	○ White	Round	x=0.29, y=0.28	Water Clear	18000 / 36000	3.2 / 3.6	15
334-15/T1C1-4WYA	5	○ White	Round	x=0.30, y=0.29	Water Clear	14250 / 28500	3.2 / 3.6	15
334-15/F1C2-7VXA	5	○ White	Round	x=0.30, y=0.29	Water Clear	11250 / 22500	3.2 / 3.6	20
334-15/T2C2-1TWB	5	○ White	Round	x=0.29, y=0.28	Water Clear	7150 / 18000	3.2 / 3.6	20
334-15/T1C3-2TV A	5	○ White	Round	x=0.26, y=0.27	Water Clear	7150 / 14250	3.2 / 3.6	30
334-15/T2C3-2TV C	5	○ White	Round	x=0.26, y=0.27	Water Clear	7150 / 14250	3.2 / 3.6	30
334-15/F1C5-1RTA	5	○ White	Round	x=0.29, y=0.28	Water Clear	4500 / 9000	3.2 / 3.6	50
334-15/T1C5-7QSA	5	○ White	Round	x=0.30, y=0.29	Water Clear	3600 / 7150	3.2 / 3.6	50
334-15/T2C5-1QSB	5	○ White	Round	x=0.29, y=0.28	Water Clear	3600 / 7150	3.2 / 3.6	50
334-15/X2C1-1WYB	5	● Warm White	Round	x=0.40, y=0.39	Water Clear	14250 / 28500	3.2 / 3.6	15
334-15/X1C2-1UWA	5	● Warm White	Round	x=0.40, y=0.39	Water Clear	9000 / 18000	3.2 / 3.6	20
334-15/X2C3-1TV A	5	● Warm White	Round	x=0.40, y=0.39	Water Clear	7150 / 14250	3.2 / 3.6	30
334-15/X1C5-1QSA	5	● Warm White	Round	x=0.40, y=0.39	Water Clear	3500 / 7150	3.2 / 3.6	50
334-15/X2C5-1PSB	5	● Warm White	Round	x=0.40, y=0.39	Water Clear	2850 / 7150	3.2 / 3.6	50

LED Lamps | 5mm Round Type



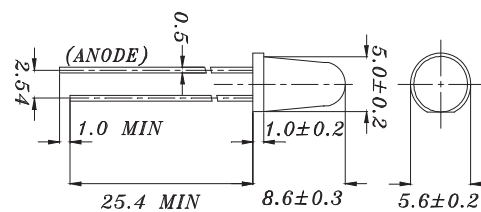
UNIT : mm



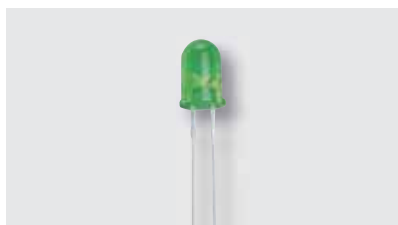
Product	Size (mm)	Color	Lens Type	λ_d (nm)/CIE(x,y)	Resin Color	I_v (Min/Typ) (mcd)	V_F (Typ/Max) (V)	Viewing Angle (°)
339-1SURYGW/S530-A3	5	● Brilliant Red ● Brilliant Yellow Green	Round	624 / 573	White Diffused	40 / 80 25 / 50	2.0 / 2.4 2.0 / 2.4	70
339-1UYSYGW/S530-A3	5	● Brilliant Yellow ● Brilliant Yellow Green	Round	589 / 573	White Diffused	63 / 100 32 / 50	2.0 / 2.4 2.0 / 2.4	70
339-1UYUBW/S530-A4	5	● Brilliant Yellow ● Blue	Round	589 / 470	White Diffused	25 / 50 16 / 32	2.0 / 2.4 3.5 / 4.3	100



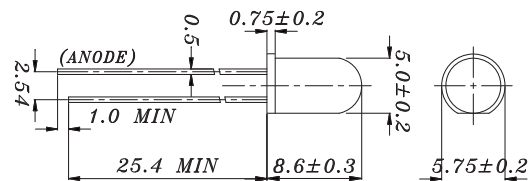
UNIT : mm



Product	Size (mm)	Color	Lens Type	λ_d (nm)/CIE(x,y)	Resin Color	I_v (Min/Typ) (mcd)	V_F (Typ/Max) (V)	Viewing Angle (°)
383-2SDRC/S530-A3	5	● Deep Red	Round	639	Water Clear	1000 / 2000	2.0 / 2.4	6
383-2SUGC/S400-A4	5	● Brilliant Green	Round	525	Water Clear	2500 / 4500	3.3 / 3.7	25
383-2SUBC/C470/S400-A6	5	● Blue	Round	470	Water Clear	1600 / 3200	3.4 / 4.0	20
383-2SURC/S530-A3	5	● Brilliant Red	Round	624	Water Clear	1000 / 2500	2.0 / 2.4	6
383-2SYGC/S530-E2	5	● Brilliant Yellow Green	Round	573	Water Clear	160 / 320	2.0 / 2.4	10
383-2USOC/S530-A6	5	● Reddish Orange	Round	615	Water Clear	6300 / 8000	2.0 / 2.4	6
383-2UYC/S530-A3	5	● Brilliant Yellow	Round	589	Water Clear	2713 / 4263	2.0 / 2.4	6



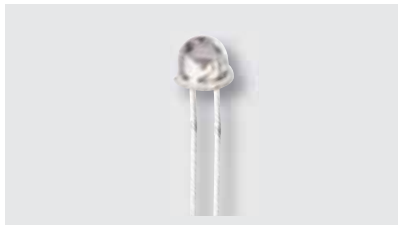
UNIT : mm



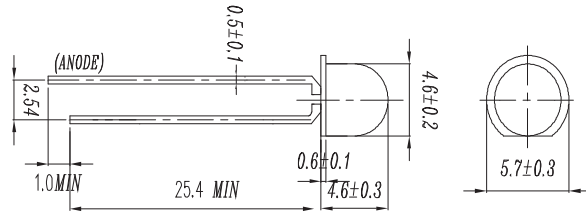
Product	Size (mm)	Color	Lens Type	λ_d (nm)/CIE(x,y)	Resin Color	I_v (Min/Typ) (mcd)	V_F (Typ/Max) (V)	Viewing Angle (°)
1383-2SDRD/S530-A3	5	● Deep Red	Round	639	Red Diffused	160 / 320	2.0 / 2.4	30
1383-2SURD/S530-A3	5	● Brilliant Red	Round	624	Red Diffused	250 / 500	2.0 / 2.4	40
1383SYGD/S530-E2	5	● Brilliant Yellow Green	Round	573	Green Diffused	100 / 200	2.0 / 2.4	25
1383UYD/S530-A3	5	● Brilliant Yellow	Round	589	Yellow Diffused	400 / 800	2.0 / 2.4	25

LED Lamps

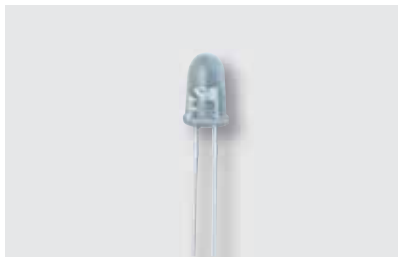
LED Lamps | 5mm Round Type



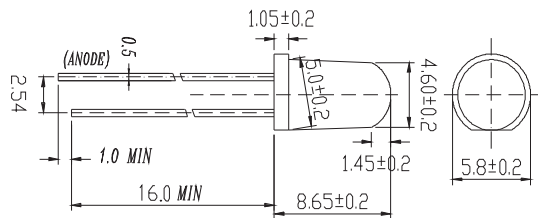
UNIT : mm



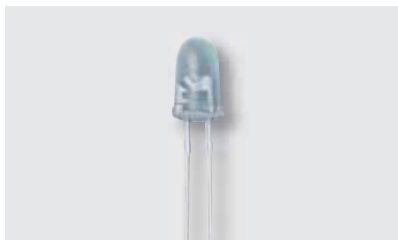
Product	Size (mm)	Color	Lens Type	λ_d (nm)/ CIE(x,y)	Resin Color	I_v (Min/Typ) (mcd)	V_F (Typ/Max) (V)	Viewing Angle (°)
6324-15SUBC/S400-X10	4.6	● Blue	Round	470	Water Clear	250 / 500	3.4 / 4.0	60
6324-15SURC/S400-A9	4.6	● Brilliant Red	Round	624	Water Clear	160 / 320	2.0 / 2.4	100
6324-15SUGC/S400-A5	4.6	● Brilliant Green	Round	525	Water Clear	630 / 1250	3.3 / 3.7	50



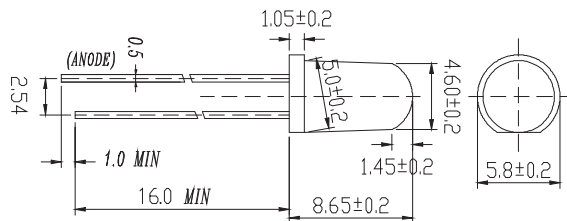
UNIT : mm



Product	Size (mm)	Color	Lens Type	λ_d (nm)/ CIE(x,y)	Resin Color	I_v (Min/Typ) (mcd)	V_F (Typ/Max) (V)	Viewing Angle (°)
7343-2SURC/S530-A3	4.6	● Brilliant Red	Round	624	Water Clear	400 / 800	2.0 / 2.4	20
7343-2SYGC/S530-E2	4.6	● Brilliant Yellow Green	Round	573	Water Clear	160 / 320	2.0 / 2.4	20
7343-2USOC/S530-A3	4.6	● Reddish Orange	Round	615	Water Clear	630 / 1250	2.0 / 2.4	20
7343-2SURC/S530-A3	4.6	● Brilliant Red	Round	624	Water Clear	400 / 800	1.7/2.4	20



UNIT : mm

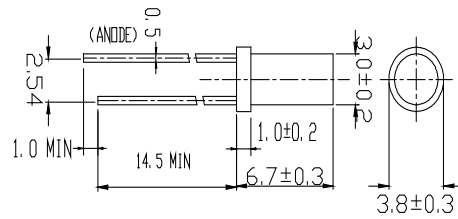


Product	Size (mm)	Color	Lens Type	λ_d (nm)/ CIE(x,y)	Resin Color	I_v (Min/Typ) (mcd)	V_F (Typ/Max) (V)	Viewing Angle (°)
7344-15SUBC/C470/S400-A6	4.6	● Blue	Round	470	Water Clear	1000 / 2000	3.4 / 4.0	30
7344-15SUGC/S400-A5	4.6	● Brilliant Green	Round	525	Water Clear	5000 / 8000	3.4 / 4.0	30
7344-15SUGC/S400-X6	4.6	● Brilliant Green	Round	525	Water Clear	8000 / 11000	3.4 / 4.0	20

LED Lamps | 3mm Cylindrical

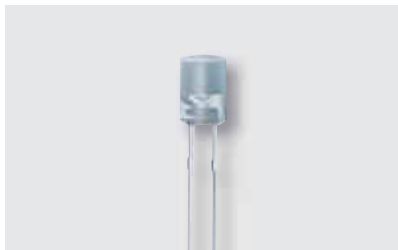


UNIT : mm

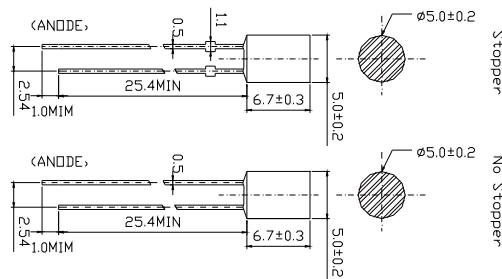


Product	Size (mm)	Color	Lens Type	λ_d (nm)/CIE(x,y)	Resin Color	I_V (Min/Typ) (mcd)	V_F (Typ/Max) (V)	Viewing Angle (°)
414-10UYD/S530-A3	3	● Brilliant Yellow	Cylindrical	589	Yellow Diffused	25 / 40	2.0 / 2.4	120
414-10SURD/S530-A3	3	● Brilliant Red	Cylindrical	624	Red Diffused	16 / 32	2.0 / 2.4	120

LED Lamps | 5mm Cylindrical



UNIT : mm

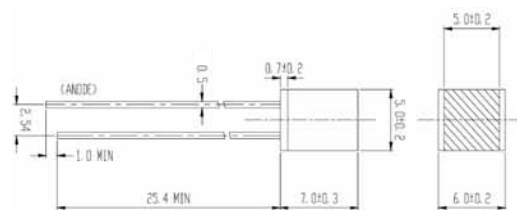


Product	Size (mm)	Color	Lens Type	λ_d (nm)/CIE(x,y)	Resin Color	I_V (Min/Typ) (mcd)	V_F (Typ/Max) (V)	Viewing Angle (°)
423-2UYC/S530-A6	5	● Brilliant Yellow	Cylindrical	589	Water Clear	100 / 200	2.0 / 2.4	90
423-2SURC/S530-A3	5	● Brilliant Red	Cylindrical	624	Water Clear	25 / 63	2.0 / 2.4	80
423-2SUBC/S400-X9	5	● Blue	Cylindrical	470	Water Clear	100 / 200	3.3 / 3.7	80
423-2UYOC/S530-A6	5	● Brilliant Orange	Cylindrical	605	Water Clear	160 / 320	2.0 / 2.4	80

LED Lamps | 5mm Square



UNIT : mm

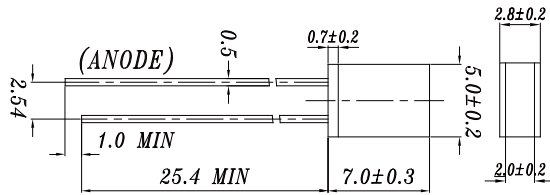


Product	Size (mm)	Color	Lens Type	λ_d (nm)/CIE(x,y)	Resin Color	I_V (Min/Typ) (mcd)	V_F (Typ/Max) (V)	Viewing Angle (°)
583SURD/S530-A3	5x5	● Brilliant Red	Square	624	Red Diffused	12.5 / 20	2.0 / 2.4	130
583SYGD/S530-E2	5x5	● Brilliant Yellow Green	Square	573	Green Diffused	2.5 / 5	2.0 / 2.4	170
583UYD/S530-A3	5x5	● Brilliant Yellow	Square	589	Yellow Diffused	10 / 20	2.0 / 2.4	170

LED Lamps | Rectangular



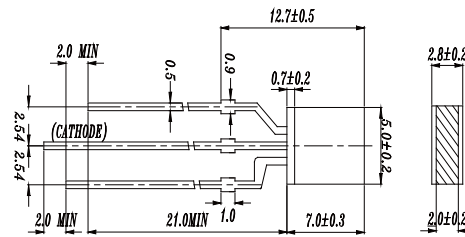
UNIT : mm



Product	Size (mm)	Color	Lens Type	λ_d (nm)/ CIE(x,y)	Resin Color	I_v (Min/Typ) (mcd)	V_F (Typ/Max) (V)	Viewing Angle (°)
513SURD/S530-A3	2x5	● Brilliant Red	Rectangle	624	Red Diffused	10 / 20	2.0 / 2.4	180
513SYGD/S530-E2	2x5	● Brilliant Yellow Green	Rectangle	573	Green Diffused	6.3 / 12.5	2.0 / 2.4	140
513UYD/S530-A3	2x5	● Brilliant Yellow	Rectangle	589	Yellow Diffused	20 / 32	2.0 / 2.4	150



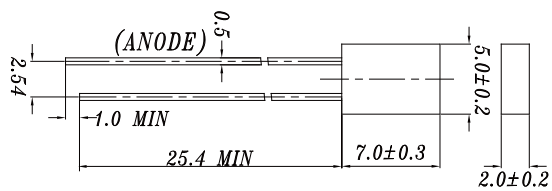
UNIT : mm



Product	Size (mm)	Color	Lens Type	λ_d (nm)/ CIE(x,y)	Resin Color	I_v (Min/Typ) (mcd)	V_F (Typ/Max) (V)	Viewing Angle (°)
519-1SURYGW/S530-A3	2x5	● Brilliant Red	Rectangle	624 / 573	White Diffused	6.3 / 12.5	2.0 / 2.4	180
		● Brilliant Yellow Green						



UNIT : mm

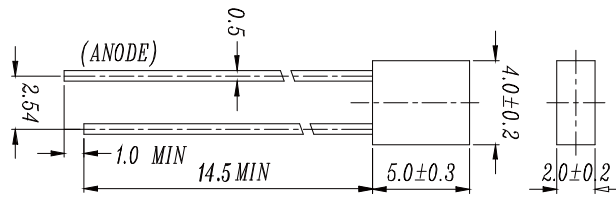


Product	Size (mm)	Color	Lens Type	λ_d (nm)/ CIE(x,y)	Resin Color	I_v (Min/Typ) (mcd)	V_F (Typ/Max) (V)	Viewing Angle (°)
523-2SDRD/S530-A3	2x5	● Deep Red	Rectangle	639	Red Diffused	10 / 16	2.0 / 2.4	120
523-2SURD/S530-A3	2x5	● Brilliant Red	Rectangle	624	Red Diffused	16 / 32	2.0 / 2.4	120
523-2SUGD/S400-A6	2x5	● Brilliant Green	Rectangle	525	Green Diffused	160 / 320	3.3 / 3.7	130
523-2UYD/S530-A3	2x5	● Brilliant Yellow	Rectangle	589	Yellow Diffused	6.3 / 12.5	2.0 / 2.4	180
523SYGD/S530-E2	2x5	● Brilliant Yellow Green	Rectangle	573	Green Diffused	4 / 8	2.0 / 2.4	150

LED Lamps | Rectangular



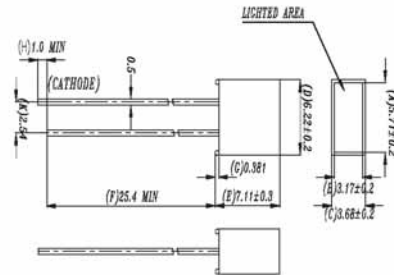
UNIT : mm



Product	Size (mm)	Color	Lens Type	λ_d (nm)/CIE(x,y)	Resin Color	I_v (Min/Typ) (mcd)	V_F (Typ/Max) (V)	Viewing Angle (°)
594SURD/S530-A3	2x4	● Brilliant Red	Rectangular	624	Red Diffused	10 / 16	2.0 / 2.4	170
594UYD/S530-A3	2x4	● Brilliant Yellow	Rectangular	589	Yellow Diffused	10 / 20	2.0 / 2.4	180
594SYGD/S530-E2	2x4	● Brilliant Yellow Green	Rectangular	573	Green Diffused	4.0 / 8.0	2.0 / 2.4	180
594UYD/S530-A3	2x4	● Brilliant Yellow	Rectangular	589	Yellow Diffused	10 / 20	2.0 / 2.4	180



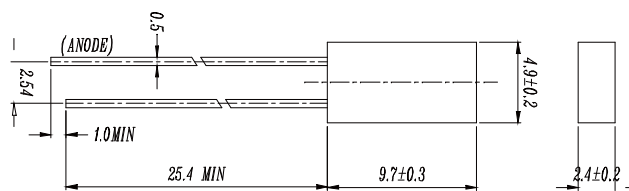
UNIT : mm



Product	Size (mm)	Color	Lens Type	λ_d (nm)/CIE(x,y)	Resin Color	I_v (Min/Typ) (mcd)	V_F (Typ/Max) (V)	Viewing Angle (°)
1003SURD/S530-A3	3.68x6.22	● Brilliant Red	Rectangular	624	Red Diffused	25 / 50	2.0 / 2.4	110
1003SYGD/S530-E2	3.68x6.22	● Brilliant Yellow Green	Rectangular	573	Green Diffused	6.3 / 12.5	2.0 / 2.4	110
1003SUBD/S400-A6	3.68x6.22	● Blue	Rectangular	470	Blue Diffused	10 / 20	3.3 / 3.7	110
1003SUGD/S400-A4	3.68x6.22	● Brilliant Green	Rectangular	525	Green Diffused	16 / 50	3.3 / 4.0	110



UNIT : mm

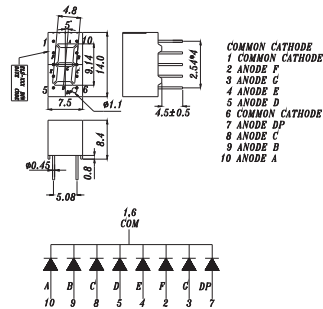


Product	Size (mm)	Color	Lens Type	λ_d (nm)/CIE(x,y)	Resin Color	I_v (Min/Typ) (mcd)	V_F (Typ/Max) (V)	Viewing Angle (°)
1533SURD/S530-A3	2.4x4.9	● Brilliant Red	Round	624	Red Diffused	10 / 20	2.0 / 2.4	170
1533UYD/S530-A3	2.4x4.9	● Brilliant Yellow	Round	589	Yellow Diffused	10 / 20	2.0 / 2.4	180

LED Digital Displays | Chip On Board Display | Single Digit Display



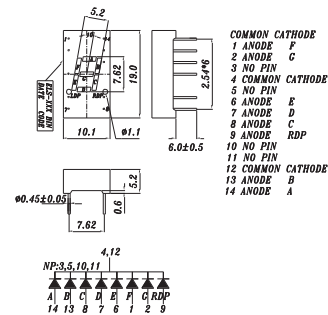
UNIT : mm



Product	Segment Height mm (inch)	Color	Segment Width	CC/CA	λ_d (nm)	Resin Color	Face Color	I_v (Min/Typ) (mcd)
S315SYGWA/S530-E2	9.14 (0.3)	● Brilliant Yellow Green	4.8	CC	573	White	Gray	2.0 / 3.2



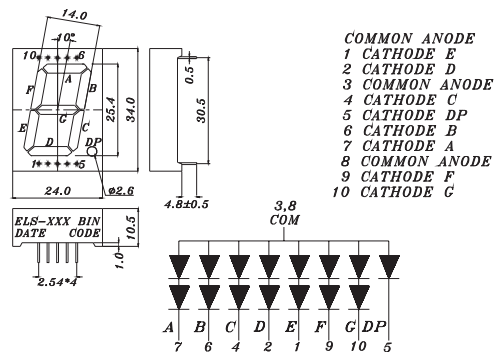
UNIT : mm



Product	Segment Height mm (inch)	Color	Segment Width	CC/CA	λ_d (nm)	Resin Color	Face Color	I_v (Min/Typ) (mcd)
S321SURWA/S530-A3	7.62 (0.3)	● Brilliant Red	5.2	CC	624	White	Gray	5.6 / 11.0
S321USOWA/S530-A4	7.62 (0.3)	● Reddish Orange	5.2	CC	615	White	Gray	7.8 / 17.6



UNIT : mm

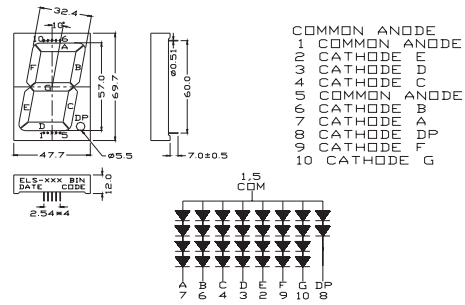


Product	Segment Height mm (inch)	Color	Segment Width	CC/CA	λ_d (nm)	Resin Color	Face Color	I_v (Min/Typ) (mcd)
S1006SURWA/S530-A3	25.4(1.0)	● Brilliant Red	14	CA	624	White	Gray	15 / 24
S1006SYGWA/S530-E2	25.4(1.0)	● Brilliant Yellow Green	14	CA	573	White	Gray	5.6 / 12.5
S1006SDRDB/A3/S660	25.4(1.0)	● Deep-Red	14	CA	639	Red	Black	11.0 / 24.0

LED Digital Displays | Chip On Board Display | Single Digit Display



UNIT : mm

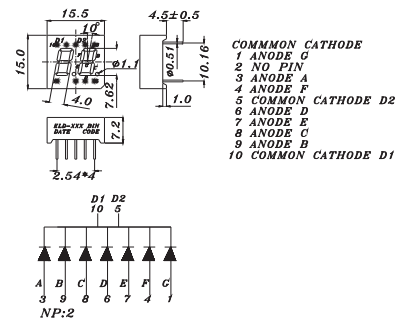


Product	Segment Height mm (inch)	Color	Segment Width	CC/CA	λ_d (nm)	Resin Color	Face Color	I_v (Min/Typ) (mcd)
S2326SURWA/S530-A3	57 (2)	● Brilliant Red	32.4	CA	624	White	Gray	15 / 34
S2326USOWA/S530-A4	57 (2)	● Reddish Orange	32.4	CA	615	White	Gray	30 / 67
S2326SYGWA/S530-E2	57 (2)	● Brilliant Yellow Green	32.4	CA	573	White	Gray	5.6 / 12.5
S2326UBWA/C470	57 (2)	● Blue	32.4	CA	470	White	Gray	15 / 34

LED Digital Displays | Chip On Board Display | Dual Digit Display



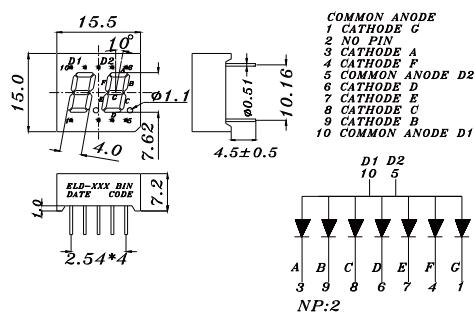
UNIT : mm



Product	Segment Height mm (inch)	Color	Segment Width	CC/CA	λ_d (nm)	Resin Color	Face Color	I_v (Min/Typ) (mcd)
D305SURWA/S530-A3	7.62 (0.3)	● Brilliant Red	4	CC	624	White	Gray	4.0 / 6.4
D305SDRWB/S530-A3	7.62 (0.3)	● Deep-Red	4	CC	639	White	Black	2.0 / 4.5



UNIT : mm



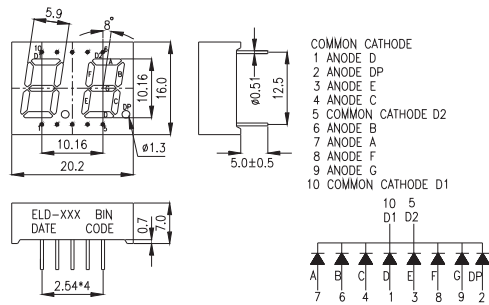
Product	Segment Height mm (inch)	Color	Segment Width	CC/CA	λ_d (nm)	Resin Color	Face Color	I_v (Min/Typ) (mcd)
D306SURWA/S530-A3	7.62 (0.3)	● Brilliant Red	4	CA	624	White	Gray	4.0 / 6.4
D306USOWA/S530-A3	7.62 (0.3)	● Reddish Orange	4	CA	615	White	Gray	4.0 / 8.9

LED Digital Displays

LED Digital Displays | Chip On Board Display | Dual Digit Display



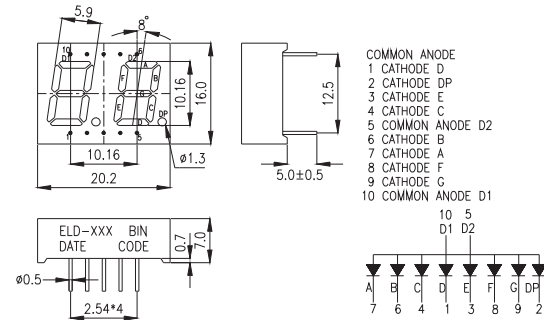
UNIT : mm



Product	Segment Height mm (inch)	Color	Segment Width	CC/CA	λ_d (nm)	Resin Color	Face Color	I_v (Min/Typ) (mcd)
D425SURWA/S530-A3	10.16 (0.4)	● Brilliant Red	5.9	CC	624	White	Gray	7.8 / 15.0
D425USOWA/S530-A4	10.16 (0.4)	● Reddish Orange	5.9	CC	615	White	Gray	11.0 / 24.0
D425SYGWA/S530-E2	10.16 (0.4)	● Brilliant Yellow Green	5.9	CC	573	White	Gray	2.0 / 3.2
D425SDRWA/S530-A4	10.16 (0.4)	● Deep-Red	5.9	CC	639	White	Gray	4.0 / 8.9



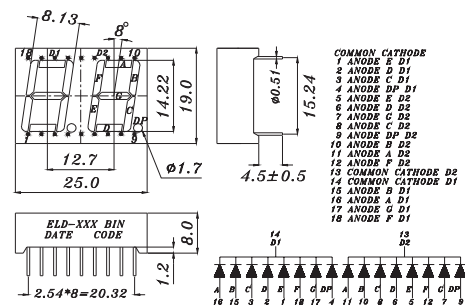
UNIT : mm



Product	Segment Height mm (inch)	Color	Segment Width	CC/CA	λ_d (nm)	Resin Color	Face Color	I_v (Min/Typ) (mcd)
D426SURWB/S530-A3	10.16 (0.4)	● Brilliant Red	5.9	CA	624	White	Black	7.8 / 15
D426USOWA/S530-A3	10.16 (0.4)	● Reddish Orange	5.9	CA	615	White	Gray	11 / 24
D426UYOWB/S530-A3	10.16 (0.4)	● Brilliant Yellow	5.9	CA	605	White	Black	5.6 / 12.5
D426SYGWA/S530-E2	10.16 (0.4)	● Brilliant Yellow Green	5.9	CA	573	White	Gray	2 / 3.2

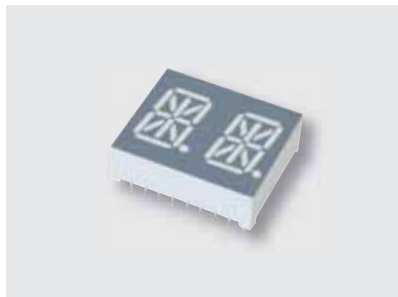


UNIT : mm

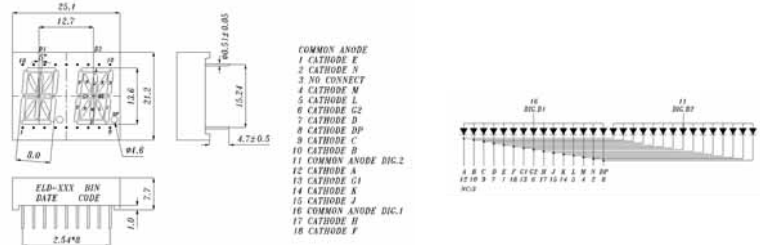


Product	Segment Height mm (inch)	Color	Segment Width	CC/CA	λ_d (nm)	Resin Color	Face Color	I_v (Min/Typ) (mcd)
D511SURWB/S530-A3	14.22 (0.5)	● Brilliant Red	8.13	CC	624	White	Black	7.8 / 15
D511SYGWB/S530-E2	14.22 (0.5)	● Brilliant Yellow Green	8.13	CC	573	White	Black	2.8 / 6.4

LED Digital Displays | Chip On Board Display | Dual Digit Display



UNIT : mm

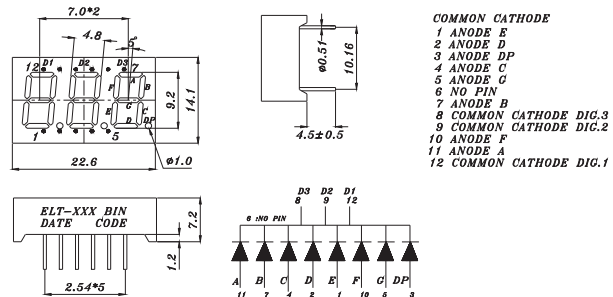


Product	Segment Height mm (inch)	Color	Segment Width	CC/CA	λ_d (nm)	Resin Color	Face Color	I_v (Min/Typ) (mcd)
D526SURWA/S530-A3	13.6 (0.5)	● Brilliant Red	8	CA	624	White	Gray	7.8 / 12.5
D526USOWA/S530-A4	13.6 (0.5)	● Brilliant Red	8	CA	615	White	Gray	5.2 / 12.5

LED Digital Display | Chip On Board Display | Three Digit Display



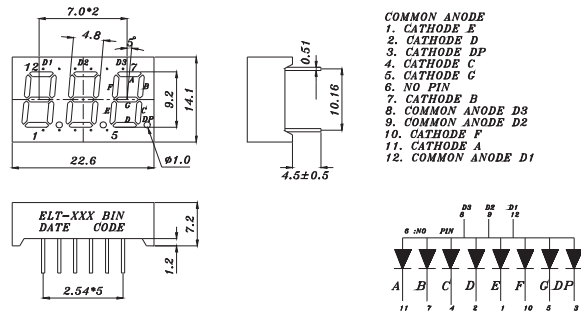
UNIT : mm



Product	Segment Height mm (inch)	Color	Segment Width	CC/CA	λ_d (nm)	Resin Color	Face Color	I_v (Min/Typ) (mcd)
T315SYGWA/S530-E2	9.2 (0.3)	● Brilliant Yellow Green	4.8	CC	573	White	Gray	1.4 / 3.2
T315UYOWA/S530-A3	9.2 (0.3)	● Orange	4.8	CC	605	White	Gray	4.0 / 8.9
T315SURWA/S530-A2	9.2 (0.3)	● Hyper Red	4.8	CC	624	White	Gray	6.8 / 8.5
T315SDRWA/S530-A3	9.2 (0.3)	● Deep-Red	4.8	CC	639	White	Gray	4.0 / 6.4



UNIT : mm

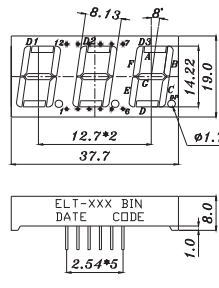


Product	Segment Height mm (inch)	Color	Segment Width	CC/CA	λ_d (nm)	Resin Color	Face Color	I_v (Min/Typ) (mcd)
T316SURWA/S530-A3	9.2 (0.3)	● Brilliant Red	4.8	CA	624	White	Gray	5.6 / 11
T316SYGWA/S530-E2	9.2 (0.3)	● Brilliant Yellow Green	4.8	CA	573	White	Gray	1.4 / 3.2
T316SDRWA/S530-A3	9.2 (0.3)	● Deep-Red	4.8	CA	639	White	Gray	4.0 / 6.4

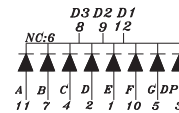
LED Digital Displays | Chip On Board Display | Three Digit Display



UNIT : mm



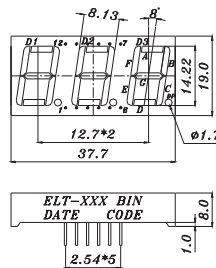
- COMMON CATHODE**
 1 ANODE E
 2 ANODE D
 3 ANODE DP
 4 ANODE C
 5 ANODE G
 6 NO CONNECT
 7 ANODE B
 8 COMMON CATHODE D3
 9 COMMON CATHODE D2
 10 ANODE F
 11 ANODE A
 12 COMMON CATHODE D1



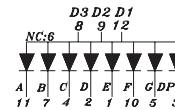
Product	Segment Height mm (inch)	Color	Segment Width	CC/CA	λ_d (nm)	Resin Color	Face Color	I_v (Min/Typ) (mcd)
T511SURWA/S530-A3	14.22 (0.5)	● Brilliant Red	8.13	CC	624	White	Gray	7.8 / 17.6
T511SYGWA/S530-E2	14.22 (0.5)	● Brilliant Yellow Green	8.13	CC	573	White	Gray	2.8 / 4.5
T511UYOWA/S530-A3	14.22 (0.5)	● Brilliant Yellow	8.13	CC	605	White	Gray	5.6 / 12.5
T511SUGWB/S400-A4/S800	14.22 (0.5)	● Brilliant Green	8.13	CC	525	White	Black	30.0 / 67.0



UNIT : mm



- COMMON ANODE**
 1 CATHODE E
 2 CATHODE D
 3 CATHODE DP
 4 CATHODE C
 5 CATHODE G
 6 NO CONNECT
 7 CATHODE B
 8 COMMON ANODE D3
 9 COMMON ANODE D2
 10 CATHODE F
 11 CATHODE A
 12 COMMON ANODE D1

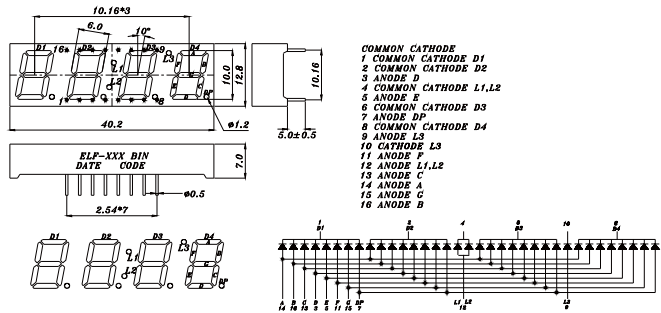


Product	Segment Height mm (inch)	Color	Segment Width	CC/CA	λ_d (nm)	Resin Color	Face Color	I_v (Min/Typ) (mcd)
T512SURWA/S530-A3	14.22 (0.5)	● Brilliant Red	8.13	CA	624	White	Gray	7.8 / 17.6
T512SYGWA/S530-E2	14.22 (0.5)	● Brilliant Yellow Green	8.13	CA	573	White	Gray	2.8 / 4.5
T512UYOWA/S530-A3	14.22 (0.5)	● Brilliant Yellow	8.13	CA	605	White	Gray	5.6 / 12.5
T512USOWA/S530-A4	14.22 (0.5)	● Reddish Orange	8.13	CA	615	White	Gray	7.8 / 17.6
T512SURWB/S530-A3	14.22 (0.5)	● Brilliant Red	8.13	CA	624	White	Black	7.8 / 17.6
T512SYGWB/S530-E2	14.22 (0.5)	● Brilliant Yellow Green	8.13	CA	573	White	Black	2.8 / 4.5

LED Digital Displays | Chip On Board Display | Four Digit Display



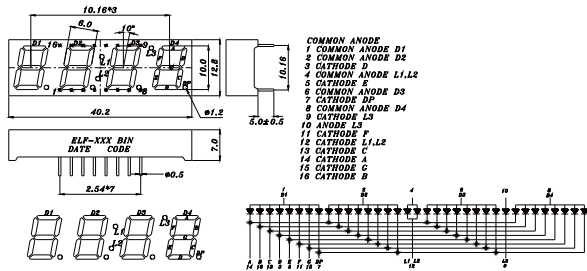
UNIT : mm



Product	Segment Height mm (inch)	Color	Segment Width	CC/CA	λ_d (nm)	Resin Color	Face Color	I_v (Min/Typ) (mcd)
F415SURWA/S530-A3	10 (0.4)	● Brilliant Red	6	CC	624	White	Gray	5.6 / 8.9
F415SURWB/S530-A3	10 (0.4)	● Brilliant Red	6	CC	624	White	Black	5.6 / 8.9



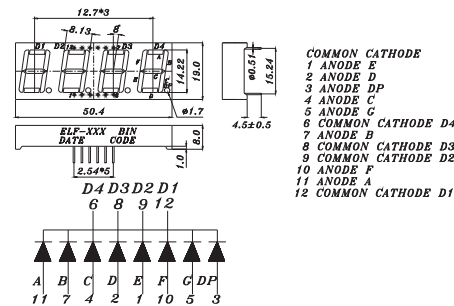
UNIT : mm



Product	Segment Height mm (inch)	Color	Segment Width	CC/CA	λ_d (nm)	Resin Color	Face Color	I_v (Min/Typ) (mcd)
F416SYGWA/S530-E3	10 (0.4)	● Brilliant Yellow Green	6	CA	573	White	Gray	4 / 8.9
F416SURWA/S530-A3	10 (0.4)	● Brilliant Red	6	CA	624	White	Gray	5.6 / 8.9
F416USRWA/S530-A3	10 (0.4)	● Dark-Red	6	CA	631	White	Gray	5.6 / 8.9
F416SURWB/S530-A3	10 (0.4)	● Brilliant Red	6	CA	624	White	Black	5.6 / 8.9

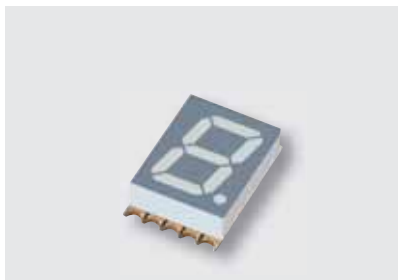


UNIT : mm

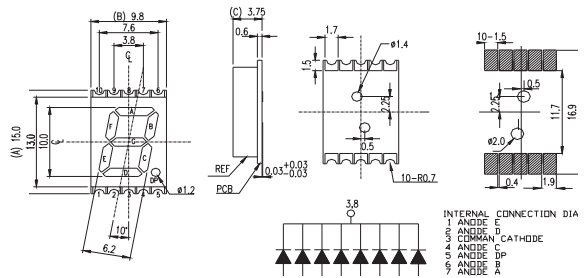


Product	Segment Height mm (inch)	Color	Segment Width	CC/CA	λ_d (nm)	Resin Color	Face Color	I_v (Min/Typ) (mcd)
F511SURWA/S530-A3	14.22 (0.5)	● Brilliant Red	8.13	CC	624	White	Gray	7.8 / 15
F511SYGWA/S530-E2	14.22 (0.5)	● Brilliant Yellow Green	8.13	CC	573	White	Gray	4 / 4.5
F511SURWB/S530-A3	14.22 (0.5)	● Brilliant Red	8.13	CC	624	White	Black	1.4 / 3.0

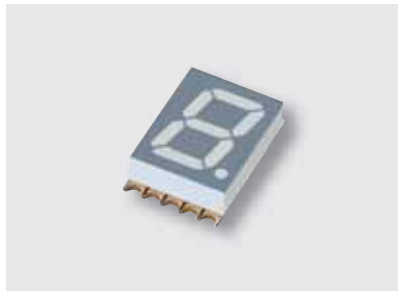
LED Digital Displays | SMD Display | Single Digit Display



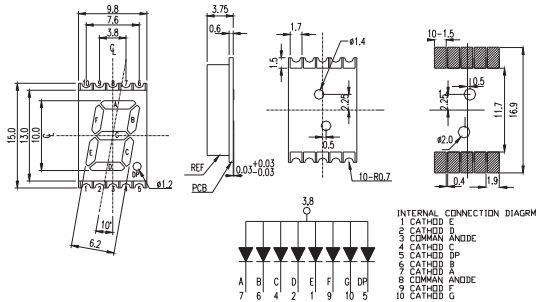
UNIT : mm



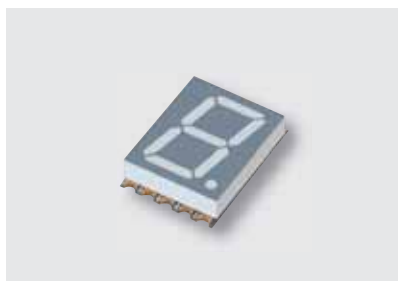
Product	Segment Height mm (inch)	Color	Segment Width	CC/CA	λ_d (nm)	Resin Color	Face Color	I_v (Min/Typ) (mcd)
SS405SYGWA/S530-E2	10 (0.4)	● Brilliant Yellow Green	6.2	CC	573	White	Gray	5.6 / 12.5



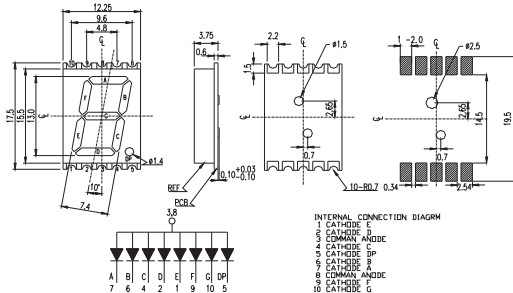
UNIT : mm



Product	Segment Height mm (inch)	Color	Segment Width	CC/CA	λ_d (nm)	Resin Color	Face Color	I_v (Min/Typ) (mcd)
SS406SYGWA/S530-E2	10 (0.4)	● Brilliant Yellow Green	6.2	CA	573	White	Gray	5.6 / 12.5
SS406USRWA/S530-A3/S290	10 (0.4)	● Dark-Red	6.2	CA	631	White	Gray	5.6 / 12.5
SS406UBWA/C470/S290	10 (0.4)	● Blue	6.2	CA	470	White	Gray	15.0 / 40.5
SS406UWWA/S290	10 (0.4)	○ Pure White	6.2	CA	X 0.270 / 0.310 Y 0.222 / 0.343	White	Gray	30.0 / 67.0

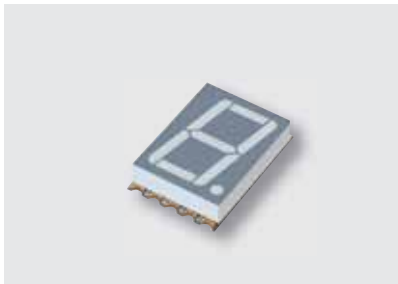


UNIT : mm

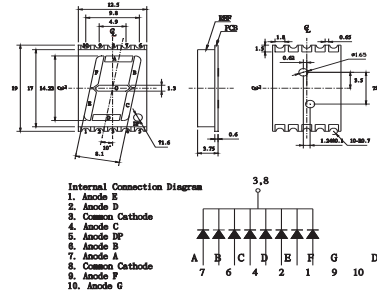


Product	Segment Height mm (inch)	Color	Segment Width	CC/CA	λ_d (nm)	Resin Color	Face Color	I_v (Min/Typ) (mcd)
SS506SYGWA/S530-E2	13.0 (0.5)	● Brilliant Yellow Green	7.4	CA	573	White	Gray	5.6 / 9.1
SS506SURWA/S530-A4/S290	13.0 (0.5)	● Brilliant Red	7.4	CA	624	White	Gray	7.8 / 15.0

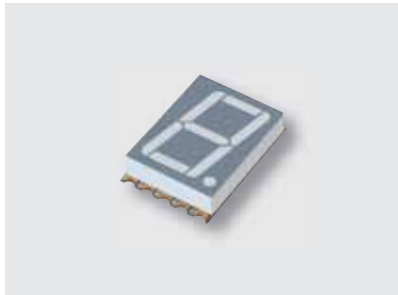
LED Digital Displays | SMD Display | Single Digit Display



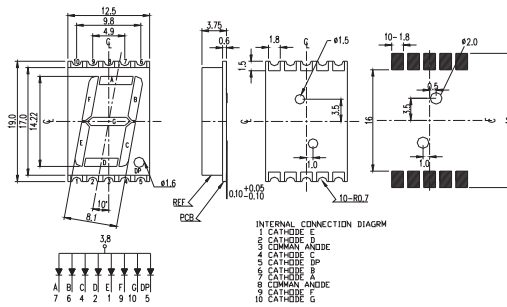
UNIT : mm



Product	Segment Height mm (inch)	Color	Segment Width	CC/CA	λ_d (nm)	Resin Color	Face Color	I_v (Min/Typ) (mcd)
SS511SURWA/S530-A3/S290	14.22 (0.5)	● Brilliant Red	8.1	CC	624	White	Gray	15 / 23
SS511SYGWA/S530-E2/S290	14.22 (0.5)	● Brilliant Yellow Green	8.1	CC	573	White	Gray	4 / 10.8
SS511UBWA/C470	14.22 (0.5)	● Blue	8.1	CC	470	White	Gray	11.0 / 24.0



UNIT : mm

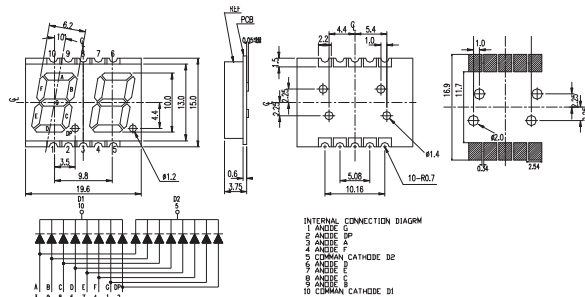


Product	Segment Height mm (inch)	Color	Segment Width	CC/CA	λ_d (nm)	Resin Color	Face Color	I_v (Min/Typ) (mcd)
SS512SURWA/S530-A3/S290	14.22 (0.5)	● Brilliant Red	8.1	CA	624	White	Gray	11 / 21.8
SS512SYGWA/S530-E2	14.22 (0.5)	● Brilliant Yellow Green	8.1	CA	573	White	Gray	4.0 / 8.9

LED Digital Display | SMD Display | Dual Digit Display



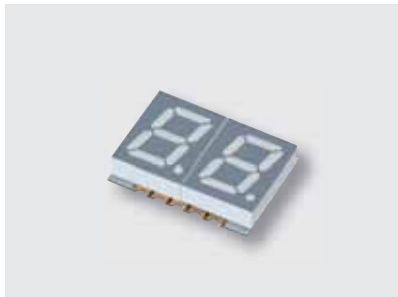
UNIT : mm



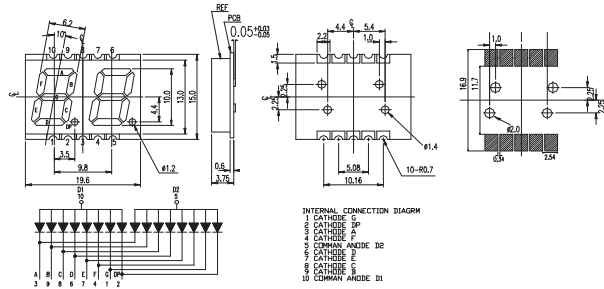
Product	Segment Height mm (inch)	Color	Segment Width	CC/CA	λ_d (nm)	Resin Color	Face Color	I_v (Min/Typ) (mcd)
SD405SURWA/S530-A3/S290	10 (0.4)	● Brilliant Red	6.2	CC	624	White	Gray	7.8 / 17.1
SD405SYGWA/S530-E2	10 (0.4)	● Brilliant Yellow Green	6.2	CC	573	White	Gray	5.6 / 12.5

LED Digital Displays

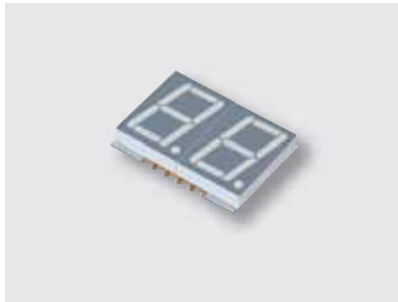
LED Digital Displays | SMD Display | Dual Digit Display



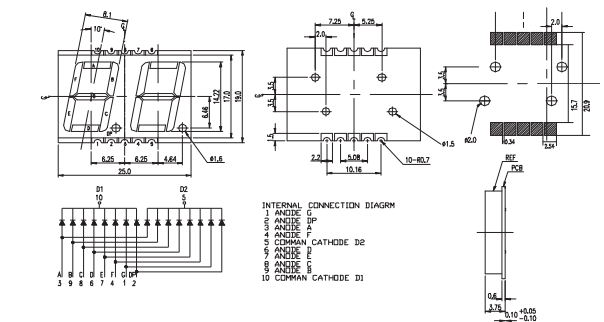
UNIT : mm



Product	Segment Height mm (inch)	Color	Segment Width	CC/CA	λ_d (nm)	Resin Color	Face Color	I_V (Min/Typ) (mcd)
SD406SURWA/S530-A4/S290	10 (0.4)	● Brilliant Red	6.2	CA	624	White	Gray	7.8 / 16.2
SD406SYGWA/S530-E2/S290	10 (0.4)	● Brilliant Yellow Green	6.2	CA	573	White	Gray	5.6 / 10.2



UNIT : mm

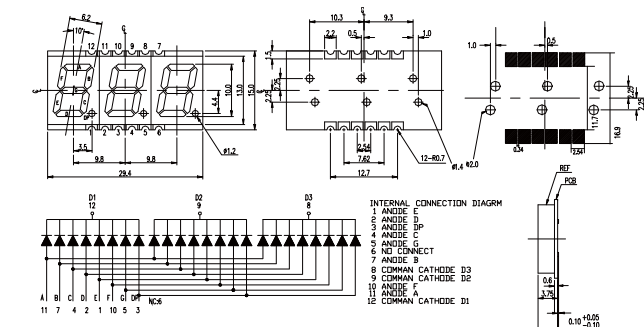


Product	Segment Height mm (inch)	Color	Segment Width	CC/CA	λ_d (nm)	Resin Color	Face Color	I_V (Min/Typ) (mcd)
SD511SYGWA/S530-E2/S290	14.22 (0.5)	● Brilliant Yellow Green	8.1	CC	573	White	Gray	5.6 / 11.12

LED Digital Display | SMD Display | Three Digit Display



UNIT : mm

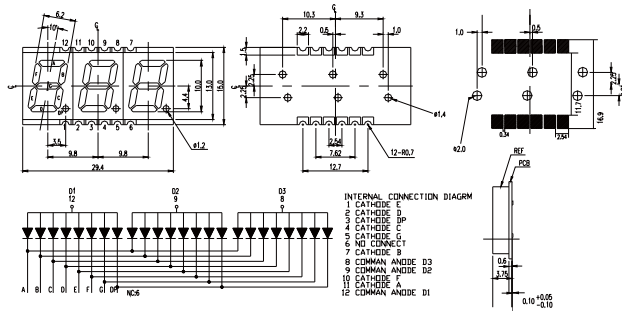


Product	Segment Height mm (inch)	Color	Segment Width	CC/CA	λ_d (nm)	Resin Color	Face Color	I_V (Min/Typ) (mcd)
ST405SURWA/S530-A3/S290	10 (0.4)	● Brilliant Red	6.2	CC	624	White	Gray	7.8 / 16.4
ST405SYGWA/S530-E2	10 (0.4)	● Brilliant Yellow Green	6.2	CC	573	White	Gray	4.0 / 8.9
ST405UYOWA/S530-A3/S290	10 (0.4)	● Brilliant Orange	6.2	CC	605	White	Gray	18.0 / 34.0
ST405SUGWA/S530-A4/S290	10 (0.4)	● Brilliant Green	6.2	CC	525	White	Gray	21.0 / 48.0

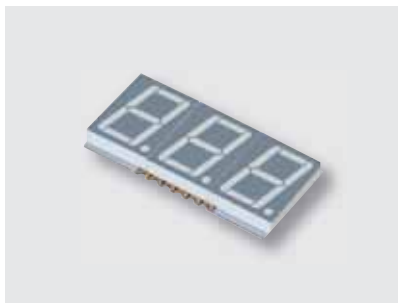
LED Digital Displays | SMD Display | Three Digit Display



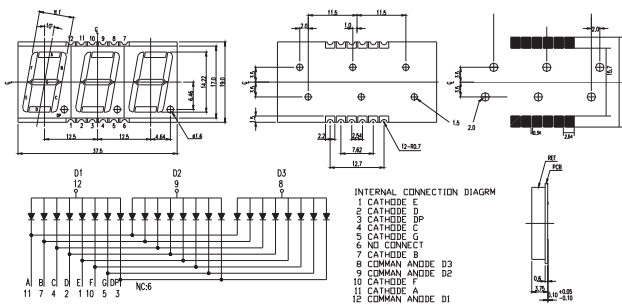
UNIT : mm



Product	Segment Height mm (inch)	Color	Segment Width	CC/CA	λ_d (nm)	Resin Color	Face Color	I_v (Min/Typ) (mcd)
ST406SURWA/S530-A3/S290	10 (0.4)	● Brilliant Red	6.2	CA	624	White	Gray	7.8 / 16.4
ST406SYGWA/S530-E2	10 (0.4)	● Brilliant Yellow Green	6.2	CA	573	White	Gray	4.0 / 8.9



UNIT : mm

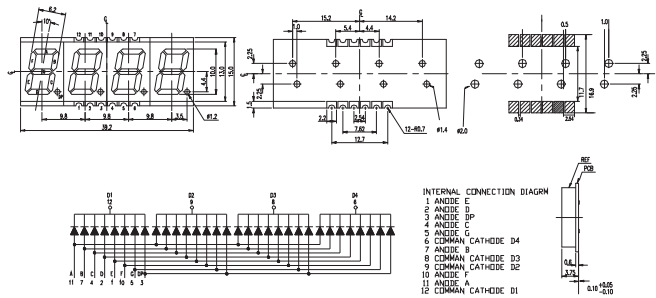


Product	Segment Height mm (inch)	Color	Segment Width	CC/CA	λ_d (nm)	Resin Color	Face Color	I_v (Min/Typ) (mcd)
ST512SURWA/S530-A3/S290	14.22 (0.5)	● Brilliant Red	8.1	CA	624	White	Gray	7.8 / 21.6
ST512SYGWA/S530-E2/S290	14.22 (0.5)	● Brilliant Yellow Green	8.1	CA	573	White	Gray	7.8 / 16.4
ST512UBWA/C470/S290	14.22 (0.5)	● Blue	8.1	CA	470	White	Gray	15.0 / 37.2

LED Digital Displays | SMD Display | Four Digit Display



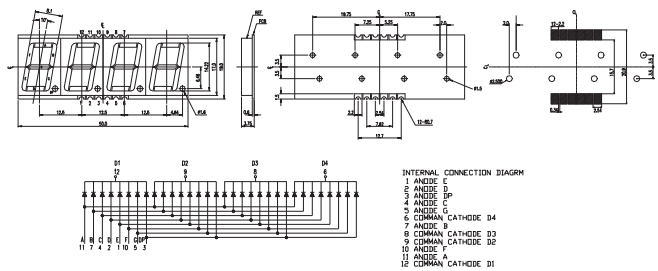
UNIT : mm



Product	Segment Height mm (inch)	Color	Segment Width	CC/CA	λ_d (nm)	Resin Color	Face Color	I_V (Min/Typ) (mcd)
SF405SURWA/S530-A3/S290	10 (0.4)	● Brilliant Red	6.2	CC	624	White	Gray	7.8 / 16.4
SF405UYOWA/A3/S290	10 (0.4)	● Brilliant Orange	6.2	CC	605	White	Gray	11.0 / 24.0



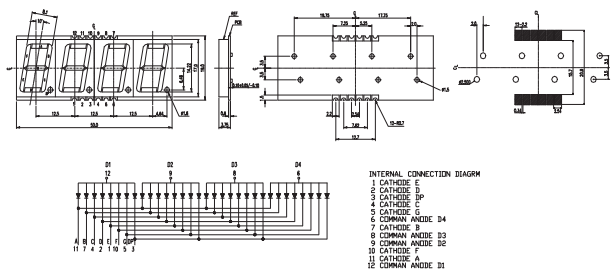
UNIT : mm



Product	Segment Height mm (inch)	Color	Segment Width	CC/CA	λ_d (nm)	Resin Color	Face Color	I_V (Min/Typ) (mcd)
SF511SURWA/S530-A3/S290	14.22 (0.5)	● Brilliant Red	8.1	CC	624	White	Gray	11 / 23.4
SF511SYGWA/S530-E2/S796	14.22 (0.5)	● Brilliant Yellow Green	8.1	CC	573	White	Gray	4 / 8.9



UNIT : mm

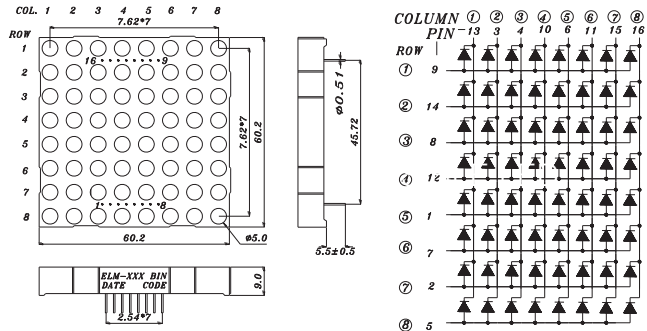


Product	Segment Height mm (inch)	Color	Segment Width	CC/CA	λ_d (nm)	Resin Color	Face Color	I_V (Min/Typ) (mcd)
SF512SURWA/S530-A3/S290	14.22 (0.5)	● Brilliant Red	8.1	CA	624	White	Gray	11 / 27.8

LED Digital Displays | Dot Matrix Display

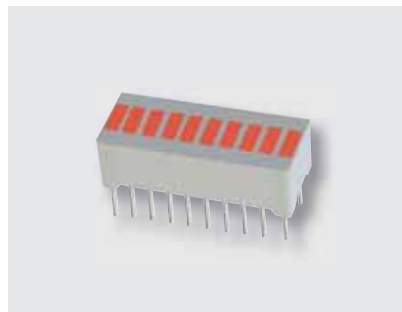


UNIT : mm

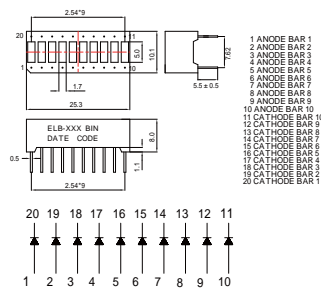


Product	Size (LxWmm)	Color	Segment Width	CC/CA	λ_d (nm)	Resin Color	Face Color	I_v (Min/Typ) (mcd)
M2881SURWA/S530-A3	60.2x60.2	● Brilliant Red	--	CC	624	White	Gray	7.8 / 21
M2881SYGWA/S530-E2	60.2x60.2	● Brilliant Yellow Green	--	CC	573	White	Gray	7.8 / 17.6
M2881UYWA/S530-A3	60.2x60.2	● Brilliant Yellow	--	CC	589	White	Gray	11 / 17.6

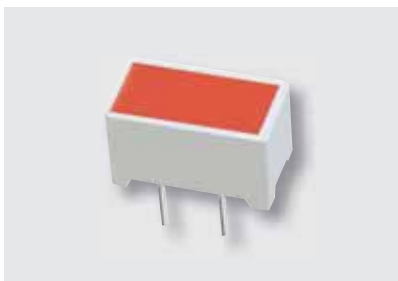
LED Digital Displays | Light Bar Display



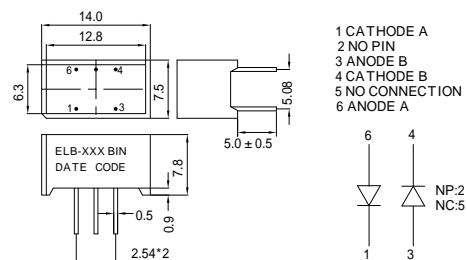
UNIT : mm



Product	Size (LxWmm)	Color	Segment Width	CC/CA	λ_d (nm)	Resin Color	Face Color	I_v (Min/Typ) (mcd)
B1001USOWA/S530-A4	25.3x10.1	● Reddish Orange	--	CC	615	White	Gray	7.8 / 17.6
B1001SYGWA/S530-E2	25.3x10.1	● Brilliant Yellow Green	--	CC	573	White	Gray	2.8 / 4.5

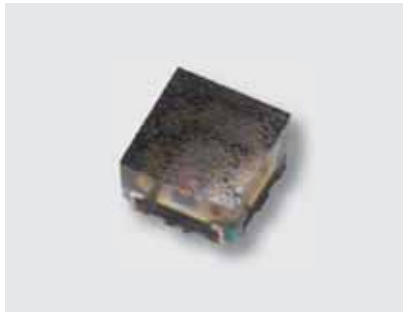


UNIT : mm

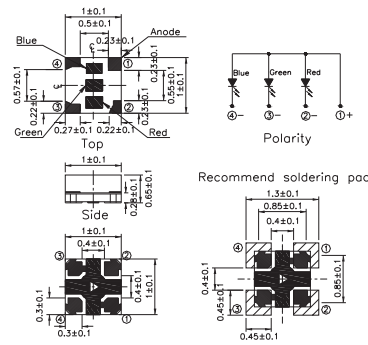


Product	Size (LxWmm)	Color	Segment Width	CC/CA	λ_d (nm)	Resin Color	Face Color	I_v (Min/Typ) (mcd)
B1010SURD/S530-A3	14.0x7.5	● Brilliant Red	--	CA	624	Red	Red	11 / 24
B1010SYGD/S530-E3	14.0x7.5	● Brilliant Yellow Green	--	CA	573	Green	--	2.8 / 6.4

Signage LED | Surface Mount Chip LED (PCB)



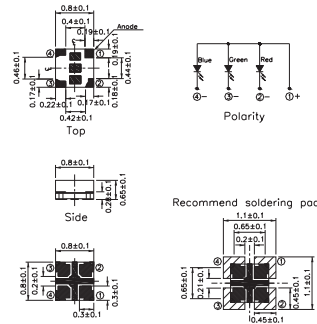
UNIT : mm



Product	Size (LxWxHmm)	Color	λ_d (nm)	Typ. I_v (mcd)	V_F (V)		I_F (mA)	Viewing Angle (°)
					Typ.	Max.		
18-038BT/BDGAR6S1-CS01/10T	1.0x1.0x0.65 (4-pin)	● Red	619~629	24	2.0	2.4	5	120
		● Green	523~528	80	2.9	3.2		
		● Blue	463~468	15	2.9	3.2		



UNIT : mm

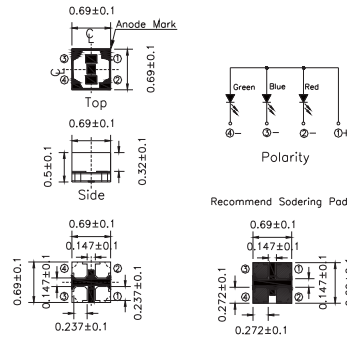


Product	Size (LxWxHmm)	Color	λ_d (nm)	Typ. I_v (mcd)	V_F (V)		I_F (mA)	Viewing Angle (°)
					Typ.	Max.		
18-039B/BDR6GAS1-CS01/10T	0.8x0.8x0.65 (4-pin)	● Red	619~629	15.4	2.0	2.4	3	120
		● Green	525~530	80	2.9	3.2		
		● Blue	465~470	15	2.9	3.2		

Signage LED | Surface Mount Chip LED (PCB)



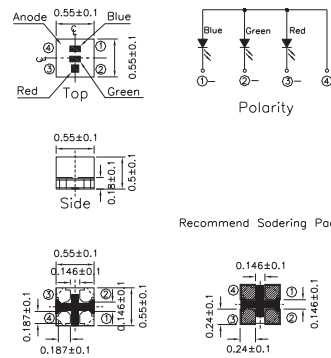
UNIT : mm



Product	Size (LxWxHmm)	Color	λ_d (nm)	Typ. I_v (mcd)	V_F (V)		I_F (mA)	Viewing Angle (°)
					Typ.	Max.		
18-036BD/BDR6GASY-CS01/10T	0.69x0.69x0.5 (4-pin)	● Red	619~629	27	2.0	2.4	5	120
		● Green	523~530	80	2.9	3.2		
		● Blue	463~470	18	2.9	3.2		



UNIT : mm

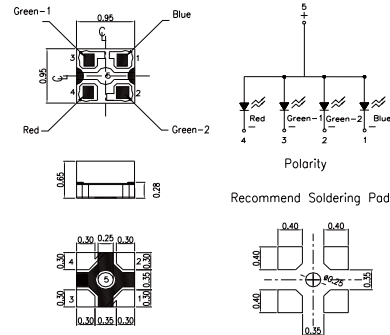


Product	Size (LxWxHmm)	Color	λ_d (nm)	Typ. I_v (mcd)	V_F (V)		I_F (mA)	Viewing Angle (°)
					Typ.	Max.		
18-035BD/BDR6GASY-CS01/10T	0.55x0.55x0.5 (4-pin)	● Red	616~631	23.4	2.0	2.3	5	120
		● Green	515~533	64.2	3.3	3.6		
		● Blue	462~477	16.5	3.3	3.6		

Signage LED | Surface Mount Chip LED (PCB)



UNIT : mm

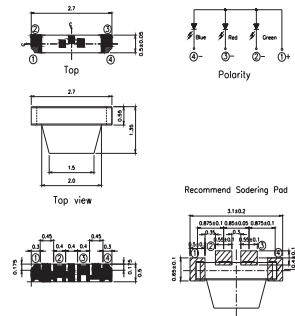


Product	Size (LxWxHmm)	Color	λ_d (nm)	Typ. I_V (mcd)	V_F (V)		I_F (mA)	Viewing Angle (°)
					Typ.	Max.		
19-049/GABDR6GAS1-CS01/4T	0.95x0.95x0.65 (4-pin)	● Red	616-631	20	2.0	2.4	5	120
		● Green	517-538	41.5	3.3	3.7		
		● Green	517-538	41.5	3.3	3.7		
		● Blue	462-480	13	3.3	3.7		

For Side View



UNIT : mm



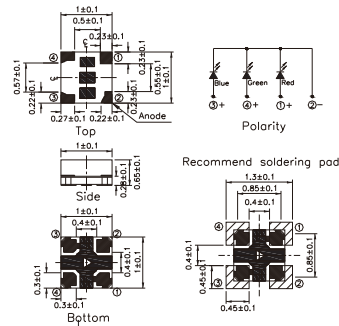
Product	Size (LxWxHmm)	Color	λ_d (nm)	Typ. I_V (mcd)	V_F (V)		I_F (mA)	Viewing Angle (°)
					Typ.	Max.		
22-23C/R6GHBHW-A01/2C	2.7x0.5x0.55 (4-pin)	● Red	613-625	90	2.85	2.3	20	120
		● Green	515-530	140	2.9	3.7		
		● Blue	465-475	72	2.9	3.3		

Signage LED | Surface Mount Chip LED (PCB)

For Common Cathode Product



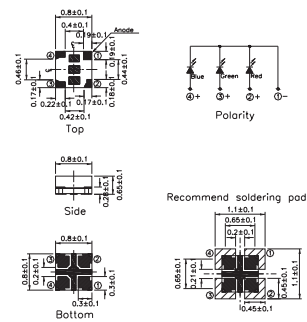
UNIT : mm



Product	Size (LxWxHmm)	Color	λ_d (nm)	Typ. I_v (mcd)	V_F (V)		I_F (mA)	Viewing Angle (°)
					Typ.	Max.		
18-038ABT/BDGAR6S1-CS01/10T	1.0x1.0x0.65 (4-pin)	Red	619-629	24	2.0	2.4	5	120
		Green	523-528	80	2.9	3.2		
		Blue	463-468	17	2.9	3.2		



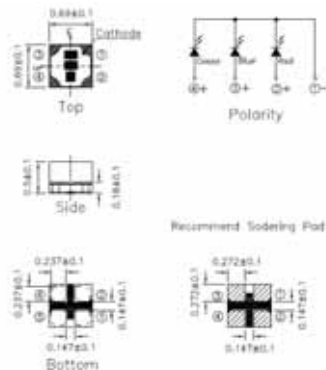
UNIT : mm



Product	Size (LxWxHmm)	Color	λ_d (nm)	Typ. I_v (mcd)	V_F (V)		I_F (mA)	Viewing Angle (°)
					Typ.	Max.		
18-039AB/BDGAR6S1-CS01/10T	0.8x0.8x0.65 (4-pin)	Red	619-629	15.4	2.0	2.4	5	120
		Green	525-530	80	2.9	3.2		
		Blue	465-470	17	2.9	3.2		



UNIT : mm

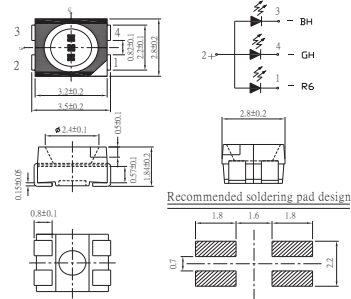


Product	Size (LxWxHmm)	Color	λ_d (nm)	Typ. I_v (mcd)	V_F (V)		I_F (mA)	Viewing Angle (°)
					Typ.	Max.		
18-036AB/BDGAR6SY-CS01/10T	0.69x0.69x0.5 (4-pin)	Red	616-631	23.4	2.0	2.3	5	120
		Green	514-532	64.5	3.3	3.7		
		Blue	461-476	16.5	3.3	3.7		

Signage LED | Surface Mount PLCC LED (Reflector)



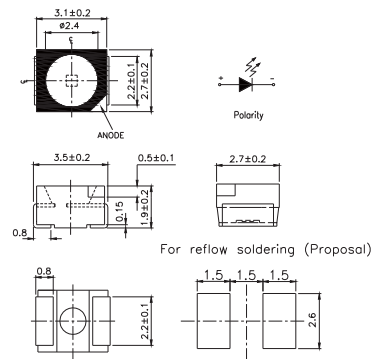
UNIT : mm



Product	Size (LxWxHmm)	Color	λ_d (nm)	Typ. I_v (mcd)	V_F (V)		I_F (mA)	Viewing Angle (°)
					Typ.	Max.		
67-03A/R6GHBHW-A01/2T/MS	3.5x2.8x1.8	Red	620.5-627.5	226	1.7	2.6	20	120
		Green	518-533	1000	2.7	3.6		
		Blue	461.5-471.5	230	2.7	3.6		



UNIT : mm



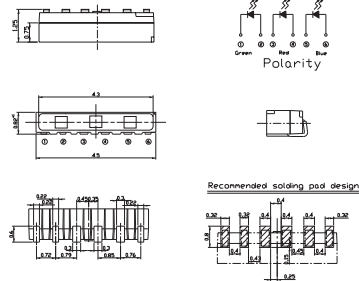
Product	Size (LxWxHmm)	Color	λ_d (nm)	Typ. I_v (mcd)	V_F (V)		I_F (mA)	Viewing Angle (°)
					Typ.	Max.		
67-01/Y2W-MV1W1/2T/MS	2.8X3.5X1.9 (2 pin)	Yellow	585-594	1067.5	2.1	2.4	20	120
		Red	620-629	1010				

Signage LED | Surface Mount PLCC LED (Reflector)

For Side View



UNIT : mm

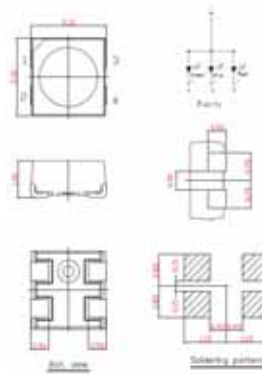


Product	Size (LxWxHmm)	Color	λ_d (nm)	Typ. I_v (mcd)	V_F (V)		I_F (mA)	Viewing Angle (°)
					Typ.	Max.		
99-235/RSGHB7S1-S01/2T	4.5x0.82x1.25 (6-pin)	● Red	619-628	670	2.0	2.5	20	120
		● Green	522-531	1530	3.2	3.7		
		● Blue	463-472	335	3.2	3.7		

For Indoor



UNIT : mm



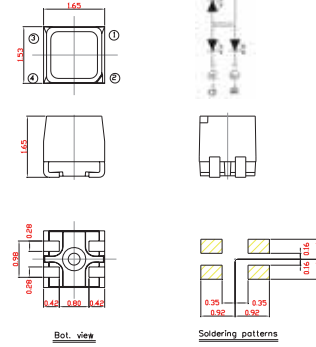
Product	Size (LxWxHmm)	Color	λ_d (nm)	Typ. I_v (mcd)	V_F (V)		I_F (mA)	Viewing Angle (°)
					Typ.	Max.		
HNA2121W-IS01	2.1x2.1x1.0 (4-pin)	● Red	615-630	280	2.0	2.4	15	110
		● Green	517-535	380	3.0	3.4	8	
		● Blue	465-480	52	3.0	3.4	5	

Signage LED | Surface Mount PLCC LED (Reflector)

For outdoor



UNIT : mm

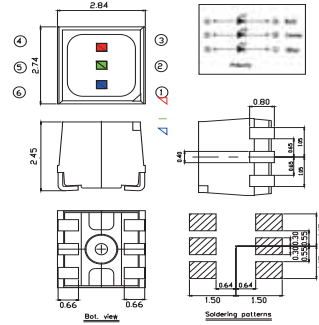


Product	Size (LxWxHmm)	Color	λ_d (nm)	Typ. I_v (mcd)	V_F (V)		I_F (mA)	Viewing Angle (°)
					Typ.	Max.		
HNB1515W-OS01	1.65x1.5x1.65 (4-pin)	Red	622	185	1.9	2.4	10	110
		Green	520	420	2.8	3.3	10	
		Blue	470	55	2.8	3.3	5	

• Product Availability : Please visit EVERLIGHT website for more updated information (www.everlight.com) or contact EVERLIGHT sales for regional options.



UNIT : mm

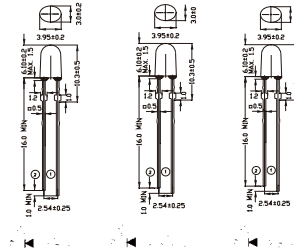


Product	Size (LxWxHmm)	Color	λ_d (nm)	Typ. I_v (mcd)	V_F (V)		I_F (mA)	Viewing Angle (°)
					Typ.	Max.		
HNB2727W-OS01	2.7x2.7x2.45 (6-pin)	Red	615-630	865	2.1	2.6	20	110
		Green	526-535	1905	3.1	3.5	15	
		Blue	465-480	295	3.1	3.5	10	

Signage LED | Lamp Type LED | 3mm Oval Type



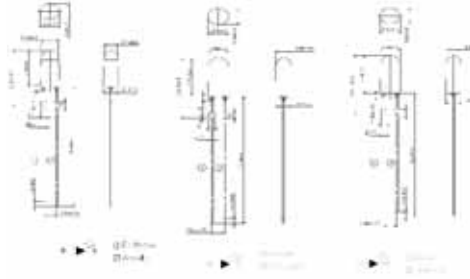
UNIT : mm



Product	Size (LxWxHmm)	Color	Lens Type	λ_d (nm)	Typ. I_v (mcd)	V_F (V)		I_F (mA)	Viewing Angle (°)
						Typ.	Max.		
3474BARR	3.2X4.1X7.5	● Red	OVAL	619~629	1035	2.1	2.6	15	110°/60°
3474BAGR	3.2X4.1X7.5	● Green	OVAL	520~535	2125	3.0	3.4	10	110°/60°
3474BABR	3.2X4.1X7.5	● Blue	OVAL	460~475	420	3.0	3.4	10	110°/60°



UNIT : mm

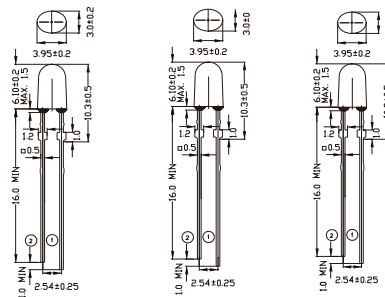


Product	Size (LxWxHmm)	Color	Lens Type	λ_d (nm)	Typ. I_v (mcd)	V_F (V)		I_F (mA)	Viewing Angle (°)
						Typ.	Max.		
3474BKRR/MS	3.2X4.1X7.5	● Red	OVAL	619~629	1730	2.1	2.6	20	110°/60°
3474BKGR/MS	3.2X4.1X7.5	● Green	OVAL	520~535	4000	3.0	3.4	20	110°/60°
3474BKBR/MS	3.2X4.1X7.5	● Blue	OVAL	460~475	790	3.0	3.4	20	110°/60°

• Product Availability : Please visit EVERLIGHT website for more updated information (www.everlight.com) or contact EVERLIGHT sales for regional options.



UNIT : mm



Product	Size (LxWxHmm)	Color	Lens Type	λ_d (nm)	Typ. I_v (mcd)	V_F (V)		I_F (mA)	Viewing Angle (°)
						Typ.	Max.		
3474DKRR/MS	3.2X4.1X6.3	● Red	OVAL	619~629	3400	2.1	2.6	20	90°/45°
3474DKGR/MS	3.2X4.1X6.3	● Green	OVAL	520~535	8660	3.0	3.4	20	90°/45°
3474DKBR/MS	3.2X4.1X6.3	● Blue	OVAL	460~475	1600	3.0	3.4	20	90°/45°

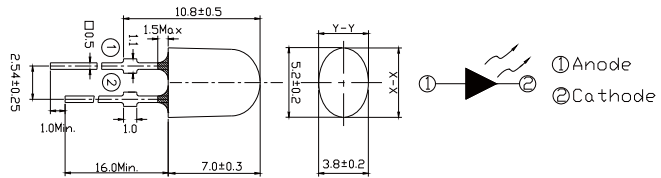
• Product Availability : Please visit EVERLIGHT website for more updated information (www.everlight.com) or contact EVERLIGHT sales for regional options.

Signage LED | Lamp Type LED | 5mm Oval Type



UNIT : mm

(With Stopper)

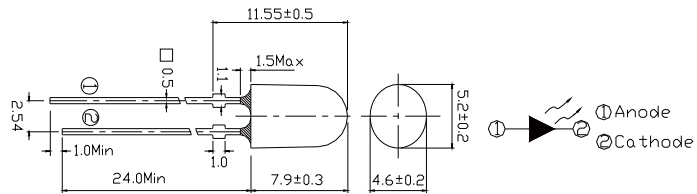


Product	Size (LxWxHmm)	Color	Lens Type	λ_d (nm)	Typ. I_v (mcd)	V_F (V)		I_F (mA)	Viewing Angle (°)
						Typ.	Max.		
5484BN/R7DC-AGJB/P/MS	5.2x3.8x7.0	Red	Oval	619~628	1290	2.2	2.4	20	110 / 40
5484BN/R7DC-AHJB/P/MS	5.2x3.8x7.0	Red	Oval	619~628	1630	2.2	2.4	20	110 / 40
5484BN/GADC-ALMA/P/MS	5.2x3.8x7.0	Green	Oval	525~535	3105	3.2	3.6	20	110 / 40
5484BN/GADC-AMNA/P/MS	5.2x3.8x7.0	Green	Oval	525~535	3925	3.2	3.6	20	110 / 40
5484BN/BADC-AFHA/P/MS	5.2x3.8x7.0	Blue	Oval	465~475	775	3.2	3.6	20	110 / 40
5484BN/BADC-AGJA/P/MS	5.2x3.8x7.0	Blue	Oval	465~475	1085	3.2	3.6	20	110 / 40



UNIT : mm

(With Stopper)



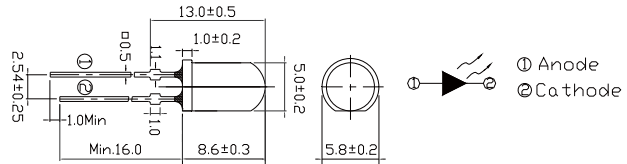
Product	Size (LxWxHmm)	Color	Lens Type	λ_d (nm)	Typ. I_v (mcd)	V_F (V)		I_F (mA)	Viewing Angle (°)
						Typ.	Max.		
6364/GADA-ANQA/P/MS	5.2x4.6x7.9	Green	Oval	525~535	3375	3.2	3.6	20	70 / 40
6364/GADA-AQSA/P/MS	5.2x4.6x7.9	Green	Oval	525~535	5375	3.2	3.6	20	70 / 40
6364/BADA-AHKA/P/MS	5.2x4.6x7.9	Blue	Oval	465~475	1070	3.2	3.6	20	70 / 40
6364/BADA-AKMA/P/MS	5.2x4.6x7.9	Blue	Oval	465~475	1425	3.2	3.6	20	70 / 40
6374/R7DA-AJKB/P/MS	5.2x4.6x7.9	Red	Oval	619~628	2240	2.0	2.6	20	65 / 40
6374/R7DA-AKMB/P/MS	5.2x4.6x7.9	Red	Oval	619~628	1425	2.0	2.6	20	65 / 40
6374/Y7DA-AJKB/P/MS	5.2x4.6x7.9	Yellow	Oval	586~594	2240	2.0	2.6	20	65 / 40
6374/Y7DA-ALNB/P/MS	5.2x4.6x7.9	Yellow	Oval	586~594	2137.5	2.0	2.6	20	65 / 40

Signage LED | Lamp Type LED | 5mm Round Type



UNIT : mm

(With Stopper)

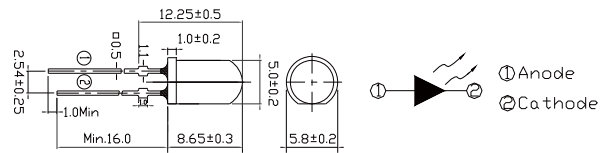


Product	Size (LxWxHmm)	Color	Lens Type	λ_d (nm)	Typ. I_v (mcd)	V_F (V)		I_F (mA)	Viewing Angle (°)
						Typ.	Max.		
333/R7C1-AUWB/P/MS	5.0x5.0x8.6	Red	Clear	619~628	11250	2.0	2.6	20	10
333/Y7C1-ATWB/P/MS	5.0x5.0x8.6	Yellow	Clear	586~594	12575	2.0	2.6	20	15
333/G1C1-AWYA/MS	5.0x5.0x8.6	Green	Clear	525~535	18000	3.2	3.6	20	15
333/B1C1-ARUA/MS	5.0x5.0x8.6	Blue	Clear	465~475	7150	3.2	3.6	20	15



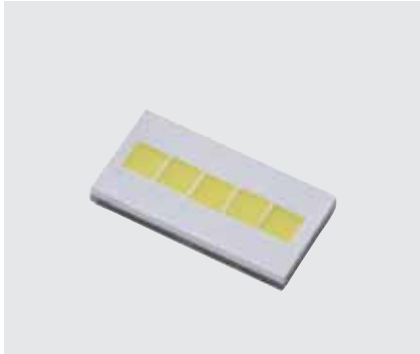
UNIT : mm

(With Stopper)

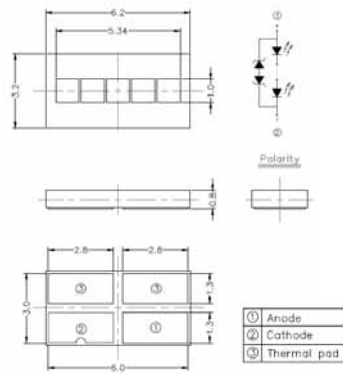


Product	Size (LxWxHmm)	Color	Lens Type	λ_d (nm)	Typ. I_v (mcd)	V_F (V)		I_F (mA)	Viewing Angle (°)
						Typ.	Max.		
7383/R7C3-AQSB/P/MS	5.0x5.0x8.7	Red	Clear	619~628	4000	2.0	2.6	20	30
7383/R7C3-ARUB/P/MS	5.0x5.0x8.7	Red	Clear	619~628	7150	2.0	2.6	20	30
7383/Y7C3-AQSB/P/MS	5.0x5.0x8.7	Yellow	Clear	586~594	4500	2.0	2.6	20	30
7383/Y7C3-ARUB/P/MS	5.0x5.0x8.7	Yellow	Clear	586~594	7150	2.0	2.6	20	30
7383/G1C3-ATVA/P/MS	5.0x5.0x8.7	Green	Clear	525~535	9000	3.2	3.6	20	30
7383/V7C3-ARTA/P/MS	5.0x5.0x8.7	Green	Clear	505	6300	3.2	3.6	20	30
7383/BAC3-ANQA/P/MS	5.0x5.0x8.7	Blue	Clear	465~475	3600	3.2	3.6	20	30
7343/R7D5-AHKB/P/MS	5.0x5.0x8.7	Red	Diffused	619~628	900	2.2	2.6	20	55
7343/GAD5-ANQA/P/MS	5.0x5.0x8.7	Green	Diffused	525~535	2850	3.2	3.6	20	50
7343/BAD5-AGJA/P/MS	5.0x5.0x8.7	Blue	Diffused	465~475	715	3.2	3.6	20	50
7343/R7C2-AQSB/P/MS	5.0x5.0x8.7	Red	Clear	619~628	4500	2.0	2.6	20	25
7343/Y7C2-AQSB/P/MS	5.0x5.0x8.7	Yellow	Clear	586~594	4500	2.0	2.6	20	25
7344/V7C2-ASVA/P/MS	5.0x5.0x8.7	Green	Clear	505	9000	3.2	3.6	20	23

Automotive LED | Exterior Application | High Power LED



UNIT : mm



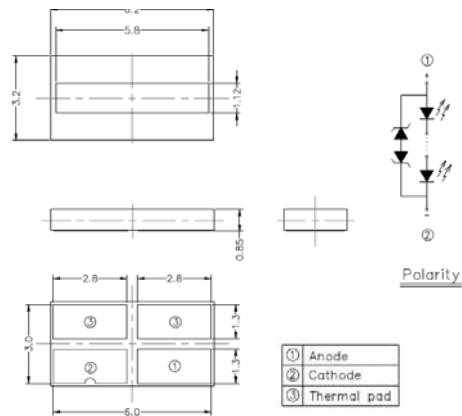
ALFS-A

Product	Size (LxWxHmm)	Color	CIE(K)	I _V Min. (lm)	I _V Max. (lm)	V _F Min. (V)	V _F Max. (V)	I _F (mA)	Viewing Angle (°)
*ALFS5AD-C010001H1-AM	5.35x2.93x0.99	○ White	5180~6680K	1400	1900	15	18.75	1000	120
*ALFS4AD-C010001H1-AM	4.27x2.93x0.99	○ White	5180~6680K	1100	1500	12	15	1000	120
*ALFS3AD-C010001H1-AM	3.18x2.93x0.99	○ White	5180~6680K	800	1100	9	11.25	1000	120
*ALFS2AD-C010001H1-AM	3.70x2.93x0.99	○ White	5180~6680K	500	750	6	7.5	1000	120
*ALFS1AD-C007001H1-AM	1.64x2.04x0.8	○ White	5180~6680K	180	280	3	3.75	700	120

Star Mark*: Preliminary Product Availability; Please visit EVERLIGHT website for more updated information (www.everlight.com) or contact EVERLIGHT sales for regional options.



UNIT : mm



ALFS-B

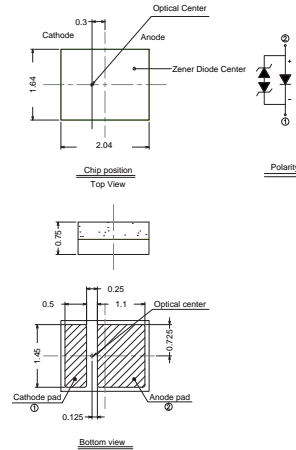
Product	Size (LxWxHmm)	Color	CIE(K)	I _V Min. (lm)	I _V Max. (lm)	V _F Min. (V)	V _F Max. (V)	I _F (mA)	Viewing Angle (°)
ALFS5BD-C010001L1-AM	6.2x3.2x0.85	○ White	5180K-6680K	1160	1600	15	18.75	1000	120
ALFS4BD-C010001L1-AM	6.2x3.2x0.85	○ White	5180K-6680K	980	1400	12	15	1000	120
ALFS3BD-C010001L1-AM	4.0x2.4x0.85	○ White	5180K-6680K	700	980	9	11.25	1000	120
ALFS2BD-C010001L1-AM	2.9x2.4x0.85	○ White	5180K-6680K	400	650	6	7.5	1000	120
ALFS1BD-C007001L1-AM	1.64x2.04x0.85	○ White	5180K-6680K	140	240	3	3.75	700	120

Star Mark*: Preliminary Product Availability; Please visit EVERLIGHT website for more updated information (www.everlight.com) or contact EVERLIGHT sales for regional options.

Automotive LED | Exterior Application | High Power LED

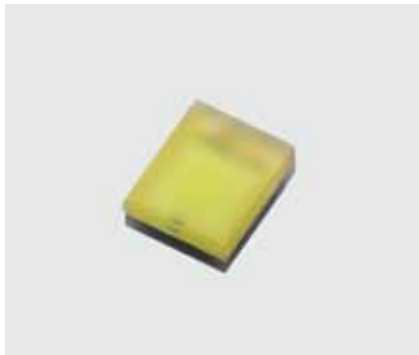


UNIT : mm

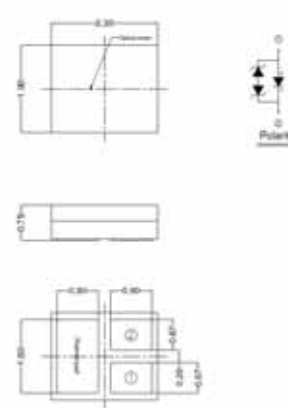


EL Compact 2016

Product	Size (LxWxHmm)	Color	λ_d (nm)/ CCT(K)/CIE	I_v Min. (lm)	I_v Max. (lm)	V_F Min. (V)	V_F Max. (V)	I_F (mA)	Viewing Angle (°)
CH2016E-C07001L-AM	2.04x1.64x0.75	○ White	5180~6680K	150	275	3.0	3.75	700	120
CH2016-UR3501H-AM	2.04x1.64x0.75	● Red	615-627nm	39	70	2.25	3.0	350	130



UNIT : mm



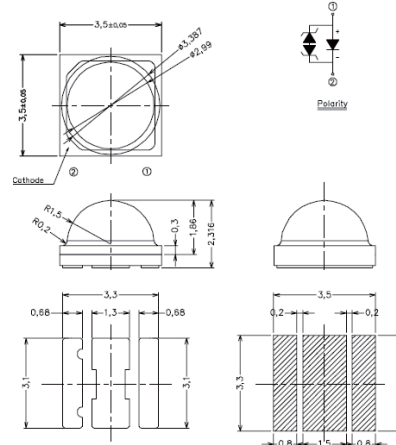
EL 2319

Product	Size (LxWxHmm)	Color	CCT(K)/CIE	I_v Min. (lm)	I_v Max. (lm)	V_F Min. (V)	V_F Max. (V)	I_F (mA)	Viewing Angle (°)
CH2319-C07001H-AM	2.3x1.9x0.75	○ White	5180K-6680K	225	325	2.75	4	700	140
CH2319-PA07001H-AM	2.3x1.9x0.75	● PC-Amber	X0.57, Y0.42	130	180	2.75	3.5	700	120

Automotive LED | Exterior Application | High Power LED



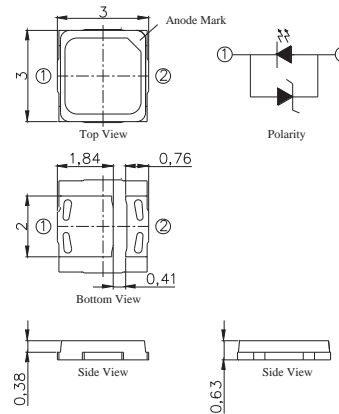
UNIT : mm



EL 3535E

Product	Size (LxWxHmm)	Color	λ_d (nm)/ CCT(K)/CIE	I_v Min. (lm)	I_v Max. (lm)	V_F Min. (V)	V_F Max. (V)	I_F (mA)	Viewing Angle (°)
*CH3535E-C03501L-AM	3.5x3.5x2.3	○ White	5180~6680K	120	160	3.0	4.0	350	120
*CH3535E-UR3501L-AM	3.5x3.5x2.3	● Red	615~627nm	60	90	1.75	2.5	350	120
*CH3535E-PA3501H-AM	3.5x3.5x2.3	● PC-Amber	X0.57,Y0.42	60	100	2.75	3.5	350	120

Star Mark*: Preliminary Product Availability; Please visit EVERLIGHT website for more updated information (www.everlight.com) or contact EVERLIGHT sales for regional options.



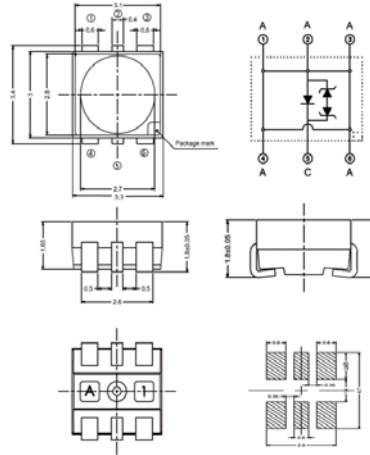
EL 3030E

Product	Size (LxWxHmm)	Color	λ_d (nm)/ CCT(K)/CIE	I_v Min. (lm)	I_v Max. (lm)	V_F Min. (V)	V_F Max. (V)	I_F (mA)	Viewing Angle (°)
XI3030-C03501H-AM	3.0x3.0x0.63	○ White	5180~6680K	100	150	2.5	3.5	350	115
XI3030-UR3501H-AM	3.0x3.0x0.63	● Red	606-621nm	45	80	1.75	3.0	350	120
XI3030-PA3501H-AM	3.0x3.0x0.63	● PC-Amber	X0.57,Y0.4	70	110	2.5	3.5	350	115

Automotive LED | Exterior Application | Mid Power LED



UNIT : mm



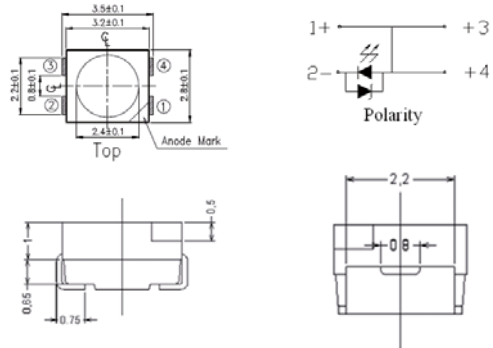
EL Advanced Power Top View

Product	Size (LxWxHmm)	Color	λ_d (nm)/ CCT(K)/CIE	I_v Min. (mcd)	I_v Max. (mcd)	V_f Min. (V)	V_f Max. (V)	I_f (mA)	Viewing Angle (°)
A09K-C71501H-AM	3.4x3.3x1.8	○ White	5180~6680K	7100	14000	2.75	3.75	150	120
A09K-UR1501H-AM	3.4x3.3x1.8	● Red	612~624nm	4500	9000	1.75	2.75	150	120
A09K-SR1501H-AM	3.4x3.3x1.8	● Super Red	627~639nm	3550	7100	1.75	2.75	150	120
A09K-UY1501H-AM	3.4x3.3x1.8	● Yellow	582~594nm	3550	7100	1.75	2.75	150	120
A09K-PA1501H-AM	3.4x3.3x1.8	● PC-Amber	X 0.57, Y 0.42	5600	11200	2.75	3.75	150	120

Automotive LED | Exterior Application | Low Power LED



UNIT : mm

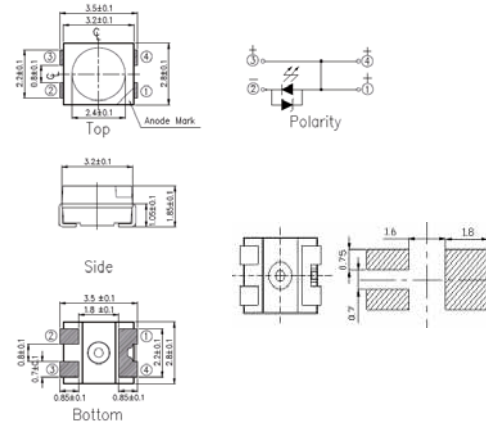


EL Power Top View PLCC-4

Product	Size (LxWxHmm)	Color	λ_d (nm)/ CCT(K)	I_V Min. (mcd)	I_V Max. (mcd)	V_F Min. (V)	V_F Max. (V)	I_F (mA)	Viewing Angle (°)
67-41-C70301H-AM	3.5x2.8x1.85	○ White	5180~6680K	2240	4500	2.75	3.75	30	120
67-41-UR0501H-AM	3.5x2.8x1.85	● Red	612~624nm	1800	3550	1.75	2.75	50	120
67-41-SR0501H-AM	3.5x2.8x1.85	● Super Red	627~639nm	1400	2240	1.75	2.75	50	120
67-41-UY0501H-AM	3.5x2.8x1.85	● Yellow	585~594nm	1400	2800	1.75	2.75	50	120



UNIT : mm



EL Power Top View PLCC-3

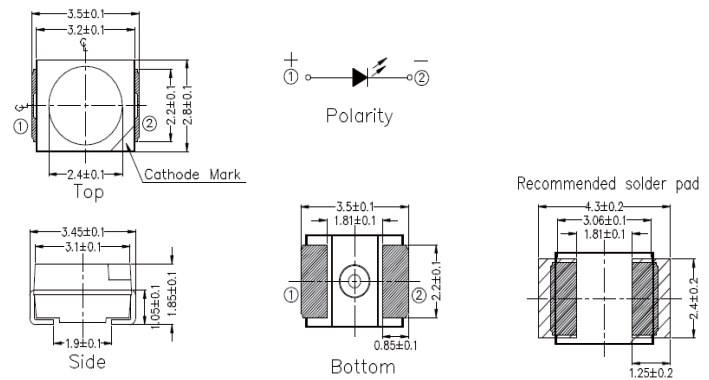
Product	Size (LxWxHmm)	Color	λ_d (nm)/ CCT(K)	I_V Min. (mcd)	I_V Max. (mcd)	V_F Min. (V)	V_F Max. (V)	I_F (mA)	Viewing Angle (°)
67-31-C70301H-AM	3.5x2.8x1.85	○ White	5180~6680K	2240	4500	2.75	3.75	30	120
67-31-UR0501H-AM	3.5x2.8x1.85	● Red	612~624nm	1800	3550	1.75	2.75	50	120
67-31-UY0501H-AM	3.5x2.8x1.85	● Yellow	585~594nm	1400	2800	1.75	2.75	50	120

Automotive LED | Exterior Application | Low Power LED



EL Top View

UNIT : mm

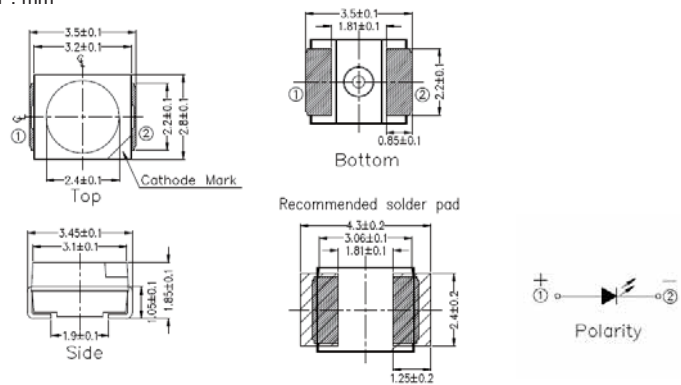


Product	Size (LxWxHmm)	Color	λ_d (nm)/CIE	I_v Min. (mcd)	I_v Max. (mcd)	V_F Min. (V)	V_F Max. (V)	I_F (mA)	Viewing Angle (°)
67-11-C70201H-AM	3.5x2.8x1.85	○ White	X=0.227~0.365 Y=0.205~0.408	1400	3550	2.75	3.75	20	120
67-21-UR0201H-AM	3.5x2.8x1.85	● Red	612~624nm	710	1400	1.75	2.75	20	120
67-21-UY0201H-AM	3.5x2.8x1.85	● Yellow	585~594nm	710	1400	1.75	2.75	20	120



EL Top View

UNIT : mm

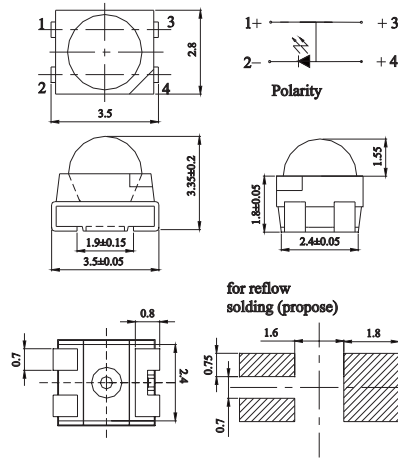


Product	Size (LxWxHmm)	Color	λ_d (nm)/CIE(K)	I_v Min. (mcd)	I_v Max. (mcd)	V_F Min. (V)	V_F Max. (V)	I_F (mA)	Viewing Angle (°)
67-11-C70200H-AM	3.5x2.8x1.85	○ White	X=0.227~0.365 Y=0.205~0.408	1400	3550	2.75	3.75	20	120
67-11-IB0100L-AM	3.5x2.8x1.85	○ Ice Blue	X=0.132~0.245 Y=0.117~0.360	224	710	2.75	3.75	10	120
67-11-SB0100L-AM	3.5x2.8x1.85	● Sky Blue	X=0.143~0.180 Y=0.055~0.109	224	560	2.75	3.75	10	120
67-11-UB0200H-AM	3.5x2.8x1.85	● Blue	463~475nm	224	560	2.75	3.75	20	120
67-11-UG0200H-AM	3.5x2.8x1.85	● Green	520~535nm	710	1400	2.75	3.75	20	120
67-21-UR0200H-AM	3.5x2.8x1.85	● Red	618~627nm	710	1400	1.75	2.75	20	120
67-21-UR0200L-AM	3.5x2.8x1.85	● Red	618~630nm	140	450	1.75	2.75	20	120
67-21-UY0200H-AM	3.5x2.8x1.85	● Yellow	585~594nm	710	1400	1.75	2.75	20	120
67-21-UY0200L-AM	3.5x2.8x1.85	● Yellow	582~594nm	140	450	1.75	2.75	20	120

Automotive LED | Exterior Application | Low Power LED



UNIT : mm



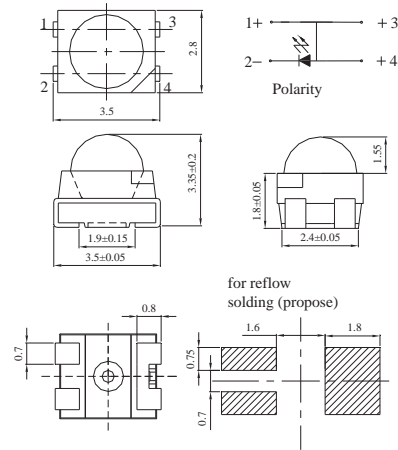
EL Top View Lens 30°

Product	Size (LxWxHmm)	Color	λ_d (nm)	I_v Min. (mcd)	I_v Max. (mcd)	V_F Min. (V)	V_F Max. (V)	I_F (mA)	Viewing Angle (°)
67-31EP3-UR0500H-AM	3.5x2.8x3.35	● Red	612~624nm	5600	18000	1.75	2.75	50	30
67-31EP3-UY0500H-AM	3.5x2.8x3.35	● Yellow	582~594nm	5600	18000	1.75	2.75	50	30

Automotive LED | Interior Application | Low Power LED



UNIT : mm



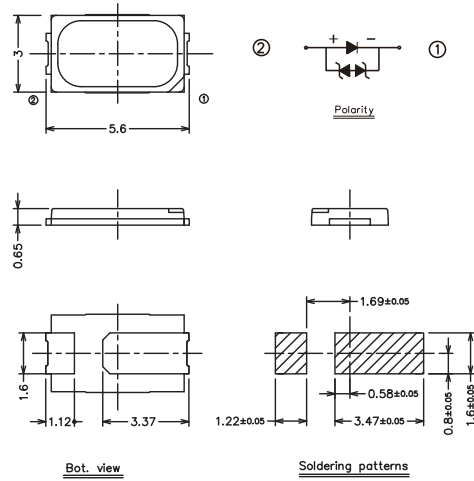
EL Top View Lens 60°

Product	Size (LxWxHmm)	Color	λ_d (nm)	I_v Min. (mcd)	I_v Max. (mcd)	V_F Min. (V)	V_F Max. (V)	I_F (mA)	Viewing Angle (°)
67-31EP6-UR0500H-AM	3.5x2.8x3.35	● Red	612~624nm	3550	11200	1.75	2.75	50	60
67-31EP6-UY0500H-AM	3.5x2.8x3.35	● Yellow	582~594nm	2800	9000	1.75	2.75	50	60

Automotive LED | Interior Application | Low Power LED

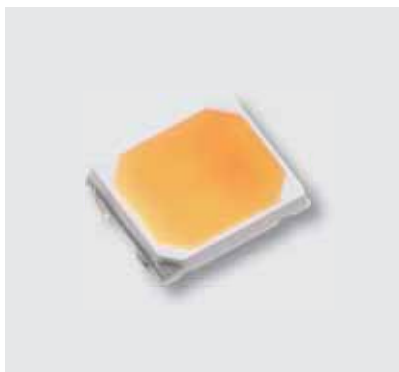


UNIT : mm

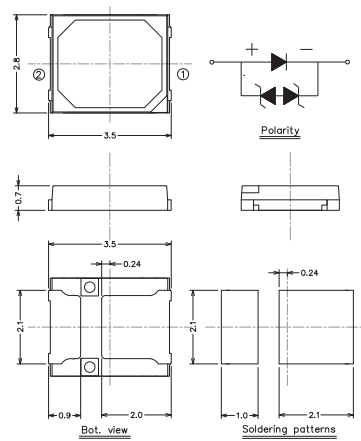


EL 5630D

Product	Size (LxWxHmm)	Color	CCT(K)	I _v Min. (lm)	I _v Max. (lm)	V _F Min. (V)	V _F Max. (V)	I _F (mA)	Viewing Angle (°)
*62-117D-W80650H-AM	5.6x3.0x0.65	○ White	2700~3500K	24	40	2.5	3.5	65	120
*62-117D-N80650H-AM	5.6x3.0x0.65	○ White	4000~4500K	24	40	2.5	3.5	65	120
*62-117D-C80650H-AM	5.6x3.0x0.65	○ White	5000~6500K	24	40	2.5	3.5	65	120



UNIT : mm



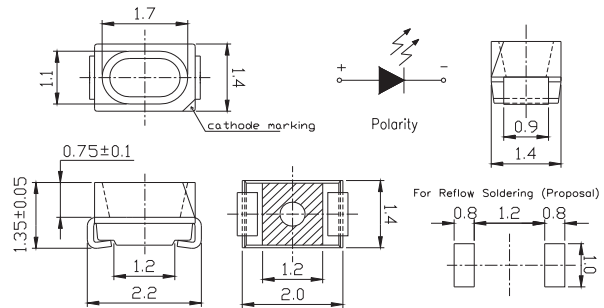
EL 2835

Product	Size (LxWxHmm)	Color	CCT(K)	I _v Min. (mcd)	I _v Max. (mcd)	V _F Min. (V)	V _F Max. (V)	I _F (mA)	Viewing Angle (°)
67-11S-W80600H-AM	2.8x3.5x0.7	○ White	2700~3500K	24	40	2.5	3.5	60	120
67-11S-N80600H-AM	2.8x3.5x0.7	○ White	4000~4500K	24	40	2.5	3.5	60	120
67-11S-C80600H-AM	2.8x3.5x0.7	○ White	5000~6500K	24	40	2.5	3.5	60	120

Automotive LED | Interior Application | Low Power LED



UNIT : mm



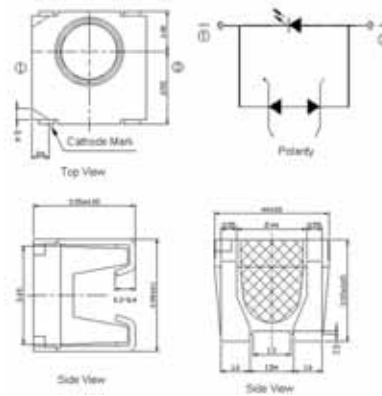
EL Mini Top View

Product	Size (LxWxHmm)	Color	λ_d (nm)/ CIE(K)	I_v Min. (mcd)	I_v Max. (mcd)	V_F Min. (V)	V_F Max. (V)	I_F (mA)	Viewing Angle (°)
65-11-C70200H-AM	2.2x1.4x1.35	○ White	X=0.227~0.365 Y=0.205~0.408	1400	3550	2.75	3.75	20	120
65-11-IB0100L-AM	2.2x1.4x1.35	○ Ice Blue	X=0.132~0.245 Y=0.117~0.360	224	710	2.75	3.75	10	120
65-11-SB0100L-AM	2.2x1.4x1.35	● Sky Blue	X=0.143~0.180 Y=0.055~0.109	224	560	2.75	3.75	10	120
65-11-UB0200L-AM	2.2x1.4x1.35	● Blue	463~475nm	224	560	2.75	3.75	20	120
65-11-UG0200H-AM	2.2x1.4x1.35	● Green	520~535nm	710	1400	2.75	3.75	20	120
65-21-UR0200H-AM	2.2x1.4x1.35	● Red	618~627nm	710	1400	1.75	2.75	20	120
65-21-UY0200H-AM	2.2x1.4x1.35	● Yellow	585~594nm	710	1400	1.75	2.75	20	120

Automotive LED | Interior Application | Low Power LED



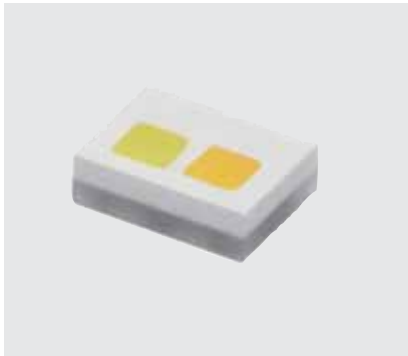
UNIT : mm



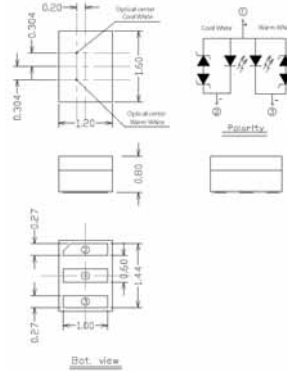
EL Side View

Product	Size (LxWxHmm)	Color	λ_d (nm)/ CIE(K)	I_v Min. (mcd)	I_v Max. (mcd)	V_F Min. (V)	V_F Max. (V)	I_F (mA)	Viewing Angle (°)
57-11-C70200H-AM	4.0x4.0x3.55	○ White	X: 0.258-0.3582 Y: 0.227-0.3792	900	2240	2.75	3.75	20	120
57-11-IB0100L-AM	4.0x4.0x3.55	○ Ice Blue	X: 0.1324-0.2395 Y: 0.1201-0.3605	140	560	2.75	3.75	10	120
57-11-SB0100L-AM	4.0x4.0x3.55	● Sky Blue	X: 0.1378-0.1700 Y: 0.0620-0.1252	140	560	2.75	3.75	10	120
57-11-UB0200H-AM	4.0x4.0x3.55	● Blue	463nm~475nm	224	560	2.75	3.75	20	120
57-21-UR0200H-AM	4.0x4.0x3.55	● Red	618nm~627nm	710	1400	1.75	2.75	20	120
57-21-UY0200H-AM	4.0x4.0x3.55	● Yellow	585nm~594nm	710	1400	1.75	2.75	20	120

Automotive LED | Interior Application | Low Power LED

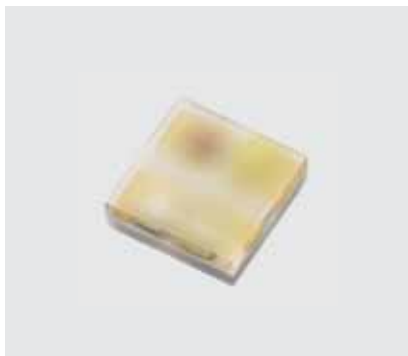


UNIT : mm

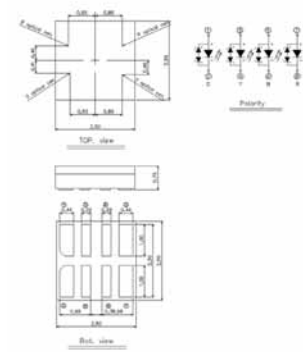


EL Micro Multi

Product	Size (LxWxHmm)	Color	CCT(K)	I _v Min. (mcd)	I _v Max. (mcd)	V _F Min. (V)	V _F Max. (V)	I _F (mA)	Viewing Angle (°)
CH1216-C8W80801H-AM	1.2x1.6x0.8	CW/WW	CW: 5180K-6680K WW: 2700K-3000K	CW: 20 WW: 20	CW: 33 WW: 33	2.75	3.5	80	120



UNIT : mm



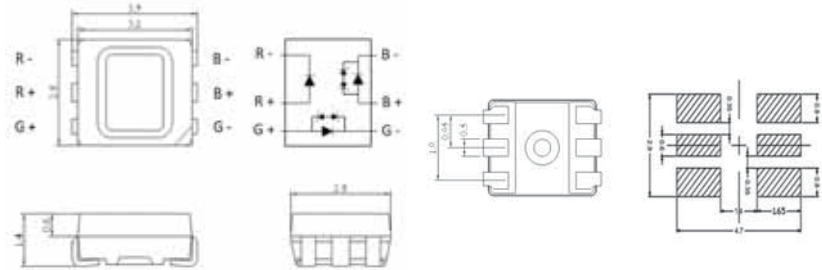
EL Multi Color

Product	Size (LxWxHmm)	Color	λ _d (nm)	I _v Min. (mcd)	I _v Max. (mcd)	V _F Min. (V)	V _F Max. (V)	I _F (mA)	Viewing Angle (°)
CH2525-RGBY0201H-AM	2.5x2.5x0.75	R/G/B/Y	R: 615-627 G: 515-535 B: 451-467 Y: 585-597	R: 450 G: 1120 B: 140 Y: 450	R: 900 G: 2240 B: 280 Y: 900	R: 1.75 G: 2.25 B: 2.75 Y: 2.00	R: 2.75 G: 3.5 B: 3.75 Y: 2.75	20	140

Automotive LED | Interior Application | Low Power LED



UNIT : mm

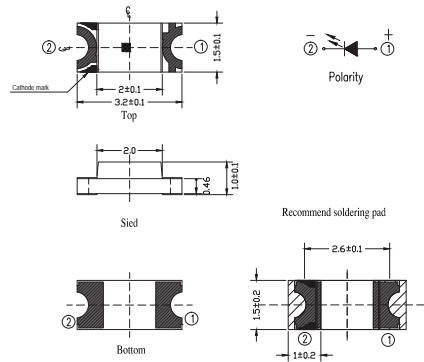


EL Top View RGB

Product	Size (LxWxHmm)	Color	λ_d (nm)	I_v Min. (mcd)	I_v Max. (mcd)	V_F Min. (V)	V_F Max. (V)	I_F (mA)	Viewing Angle (°)
67-63-RGB0201H-AM	3.5x2.8x1.4	<ul style="list-style-type: none"> ● Red ● Green ● Blue 	621~636nm 520~535nm 447~471nm	560	1120	1.75	2.75	20	120



UNIT : mm



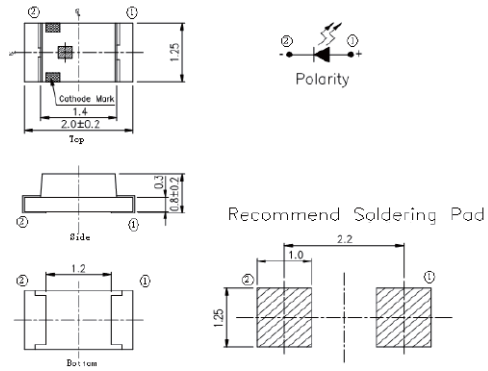
1206

Product	Size (LxWxHmm)	Color	λ_d (nm)	I_v Min. (mcd)	I_v Max. (mcd)	V_F Min.(V)	V_F Max. (V)	I_F (mA)	Viewing Angle (°)
15-21-G6C-A0N1P2B0E-2T-AM	3.2x1.5x1.0	● Yellow Green	569.5~577.5nm	28	71	1.75	2.35	20	130
15-21-R6C-B0Q1R2B0E-2T8-AM	3.2x1.5x1.0	● Red	617.5~629.5nm	71	180	1.75	2.35	20	130
15-21-Y2SC-A0S1T1B25E-2T-AM	3.2x1.5x1.0	● Yellow	585.5~594.5nm	180	355	1.7	2.4	20	130

Automotive LED | Interior Application | Low Power LED



UNIT : mm

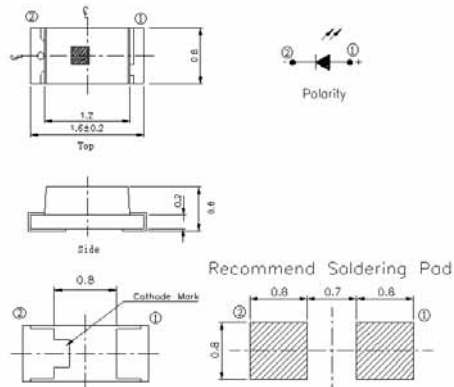


0805

Product	Size (LxWxHmm)	Color	λ_d (nm)	I_v Min. (mcd)	I_v Max. (mcd)	V_F Min. (V)	V_F Max. (V)	I_F (mA)	Viewing Angle (°)
17-215-G6C-F5M1N2B0E-3T-AM	2.0x1.25x0.8	● Yellow Green	568~574nm	18	45	1.75	2.35	20	130
17-215-R6C-A0Q2R2B0E-3T-AM	2.0x1.25x0.8	● Red	617.5~633.5nm	90	180	1.75	2.35	20	130
17-215-S3C-5UQ2R2B0E-3T-AM	2.0x1.25x0.8	● Orange	611~619nm	90	180	1.75	2.35	20	130
17-215-Y2C-P9Q2S1B0E-3T-AM	2.0x1.25x0.8	● Yellow	584~596nm	90	224	1.75	2.35	20	130



UNIT : mm



0603

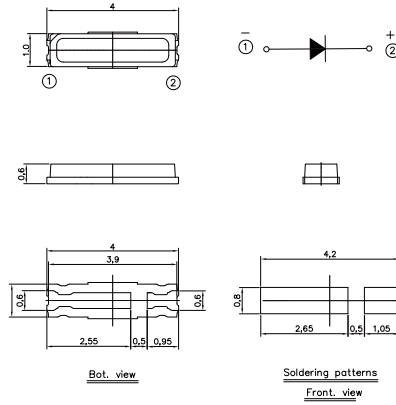
Product	Size (LxWxHmm)	Color	λ_d (nm)	I_v Min. (mcd)	I_v Max. (mcd)	V_F Min. (V)	V_F Max. (V)	I_F (mA)	Viewing Angle (°)
19-213-G6SC-M0P1Q1B0E-3T-AM	1.6x0.8x0.6	● Yellow Green	569.5~575.5nm	45	90	1.75	2.35	20	120
19-213-R6C-A0R2S2B0E-3T-AM	1.6x0.8x0.6	● Red	617.5~633.5nm	140	280	1.75	2.35	20	120
19-213-S3SC-B0S1T1B0E-3T-AM	1.6x0.8x0.6	● Orange	613.5~621.5nm	180	355	1.75	2.35	20	120
19-213-Y2SC-9AS1T1B0E-3T-AM	1.6x0.8x0.6	● Yellow	589~595nm	180	355	1.75	2.35	20	120

Backlighting LED | TV/Monitor

Application/ TFT Edge



UNIT : mm

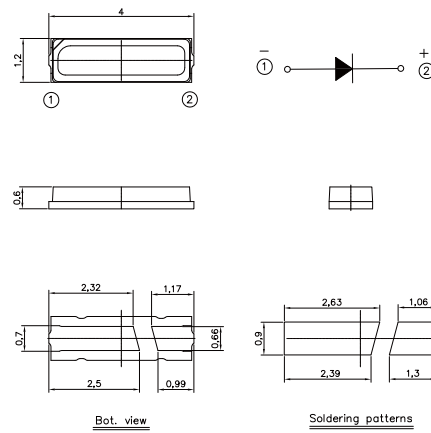


4010

Product	Size (LxWxHmm)	Color	Power(W)	CIE(x,y)	Iv (lm)	VF (V)	Viewing Angle(°)
50-415	4.0x1.0x0.5	○ White	0.2	(0.28,0.26)	18-28	2.7-3.4	120



UNIT : mm



4012

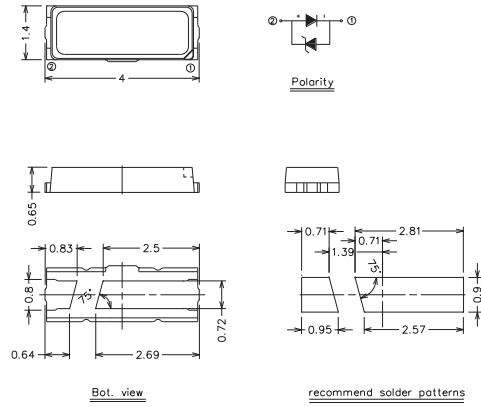
Product	Size (LxWxHmm)	Color	Power(W)	CIE(x,y)	Iv (lm)	VF (V)	Viewing Angle(°)
50-515	4.0x1.2x0.6	○ White	0.4	(0.28,0.26)	36-46	2.7-3.4	120

Backlighting LED ITV/Monitor

Application/ TFT Edge



UNIT : mm

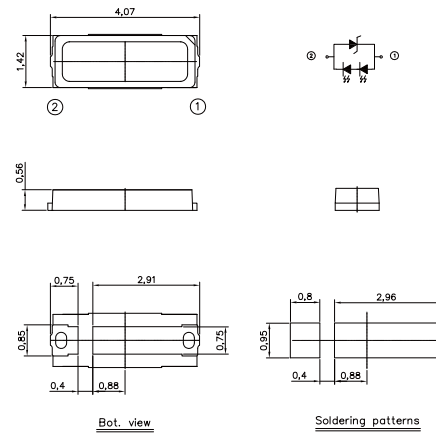


4014

Product	Size (LxWxHmm)	Color	Power(W)	CIE(x,y)	Iv (lm)	VF (V)	Viewing Angle(°)
50-315C	4.0x1.4x0.65	○White	0.4	(0.28,0.26)	38-48	2.7-3.4	120



UNIT : mm



4014

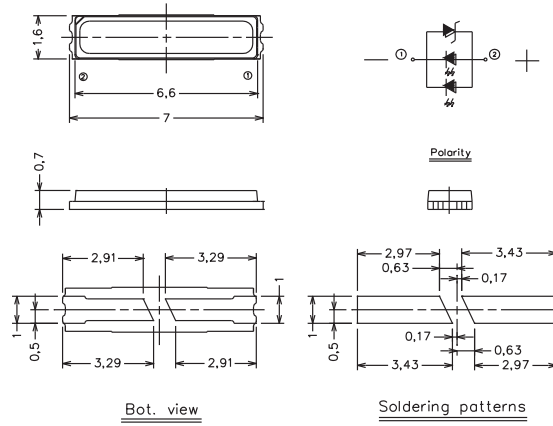
Product	Size (LxWxHmm)	Color	Power(W)	CIE(x,y)	Iv (lm)	VF (V)	Viewing Angle(°)
50-625P	4.0x1.4x0.56	○White	0.8	(0.28,0.26)	86-98	5.8-6.4	120

Backlighting LED | TV/Monitor

Application/ TFT Edge



UNIT : mm

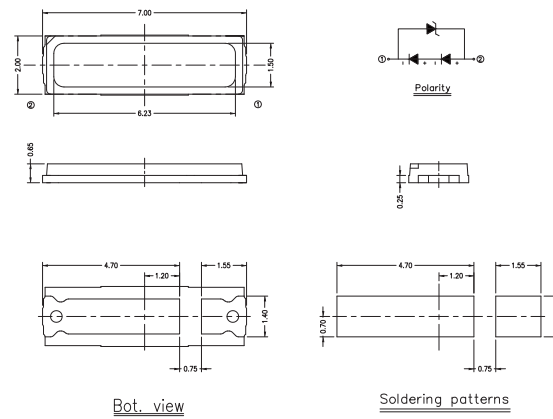


7016

Product	Size (LxWxHmm)	Color	Power(W)	CIE(x,y)	Iv (lm)	VF (V)	Viewing Angle(°)
62-125	7.0x1.6x0.7	○ White	0.8	(0.28,0.26)	86-96	2.7-3.4	120



UNIT : mm

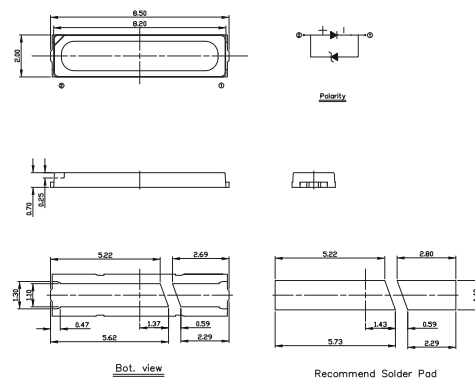


7020

Product	Size (LxWxHmm)	Color	Power(W)	CIE(x,y)	Iv (lm)	VF (V)	Viewing Angle(°)
62-129P	7.0x2.0x0.65	○ White	0.93	(0.28,0.26)	106-116	5.8-6.4	120



UNIT : mm



8520

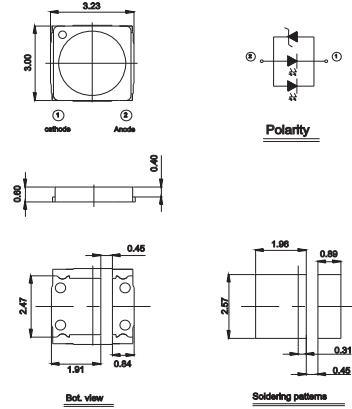
Product	Size (LxWxHmm)	Color	Power(W)	CIE(x,y)	Iv (lm)	VF (V)	Viewing Angle(°)
62-112	8.5x2.0x0.7	○ White	0.4	(0.28,0.26)	26-36	2.7-3.4	120

Backlighting LED ITV/Monitor

Application/ TFT Direct

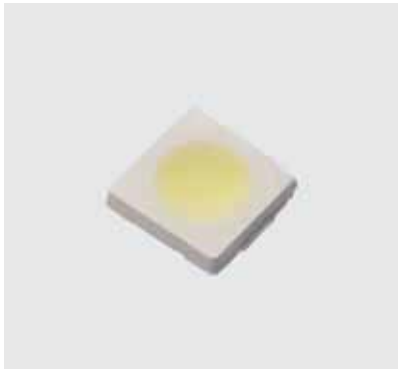


UNIT : mm

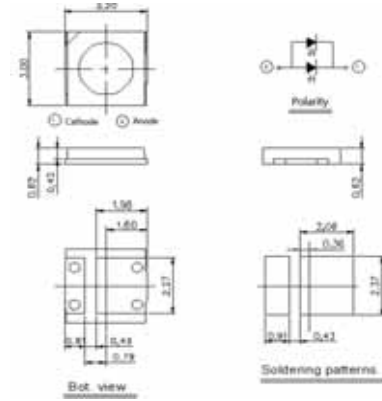


3030 Punch 2.5φ

Product	Size (LxWxHmm)	Color	Power(W)	CIE(x,y)	Iv (lm)	VF (V)	Viewing Angle(°)
62-123PAUN3W/F120135VM68PBD-T	3.0x3.0x0.8	○ White	1.8	(0.2735,0.2293)	140-170	3.0-3.6	120



UNIT : mm



3030 punch 2.1 φ

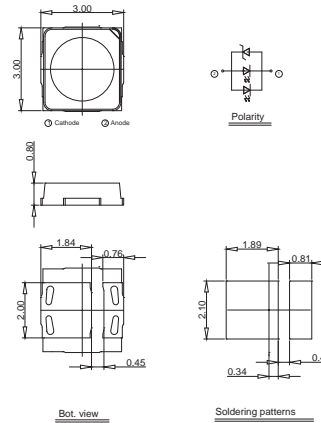
Product	Size (LxWxHmm)	Color	Power(W)	CIE(x,y)	Iv (lm)	VF (V)	Viewing Angle(°)
3030 2.1φ	30x30x0.8	○ White	1.8	(0.2735,0.2293)	135-165	3-3.6	120

Backlighting LED | TV/Monitor

Application/TFT Direct



UNIT : mm

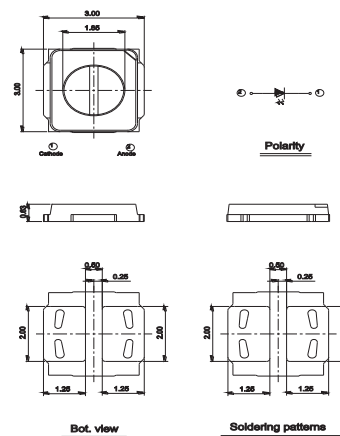


3030 Punch 2.3 ϕ

Product	Size (LxWxHmm)	Color	Power(W)	CIE(x,y)	Iv (lm)	VF (V)	Viewing Angle(°)
62-223PUNC/F125150ZM35SBE-T	3.0x3.0x0.8	○ White	1.8	(0.2735,0.2293)	135-165	3-3.6	120



UNIT : mm



3030FC Punch 1.8 ϕ

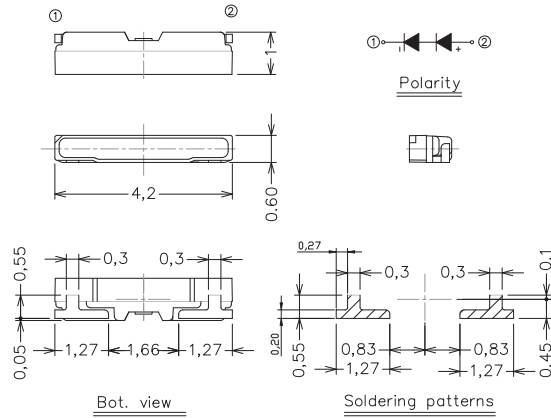
Product	Size (LxWxHmm)	Color	Power(W)	CIE(x,y)	Iv (lm)	VF (V)	Viewing Angle(°)
S3030FPBUD2C/F120145N37BF-T	3.0x3.0x0.63	○ White	1.65	(0.2735,0.2293)	120-160	3.0-3.6	120

Backlighting LED | Portable

Application/ Side View



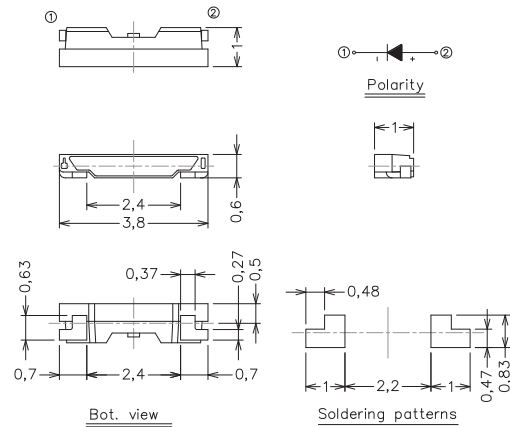
UNIT : mm



Product	Size (LxWxHmm)	Color	Power(W)	CIE(x,y)	Iv (lm)	VF (V)	Viewing Angle(°)
99-826	4.2x1x0.6	White	0.12	X=0.295,Y=0.28	14-17	5.4-6.8	120



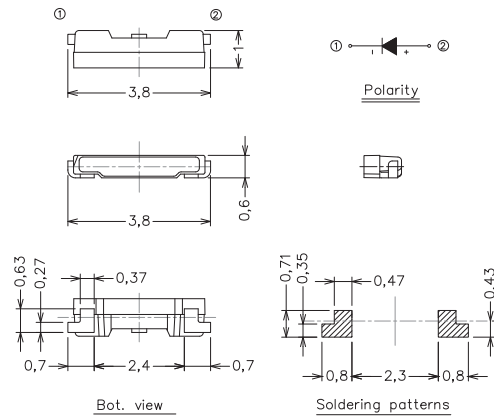
UNIT : mm



Product	Size (LxWxHmm)	Color	Power(W)	CIE(x,y)	Iv (lm)	VF (V)	Viewing Angle(°)
99-616	3.8x1.0x0.6	White	0.06	X=0.295,Y=0.28	6.0 0-8.00	2.7-3.4	120



UNIT : mm

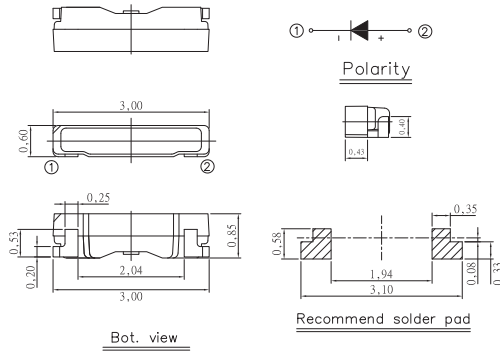


Product	Size (LxWxHmm)	Color	Power(W)	CIE(x,y)	Iv (lm)	VF (V)	Viewing Angle(°)
99-616K	3.8x1.0x0.6	White	0.06	X=0.295,Y=0.28	7.00-9.00	2.7-3.4	120

Backlighting LED | Portable
Application/ Side View



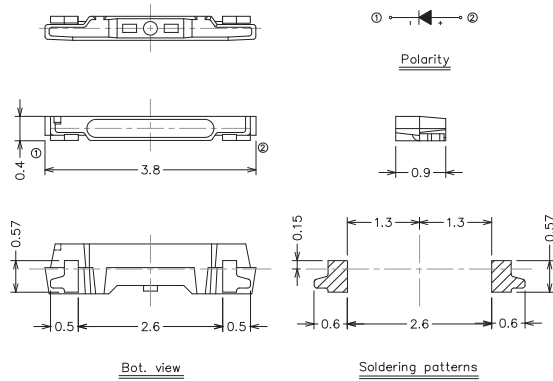
UNIT : mm



Product	Size (LxWxHmm)	Color	Power(W)	CIE(x,y)	Iv (lm)	VF (V)	Viewing Angle(°)
3006	3.0x0.85x0.6	White	0.06	X=0.295,Y=0.28	6.75-9.00	2.7-3.4	120



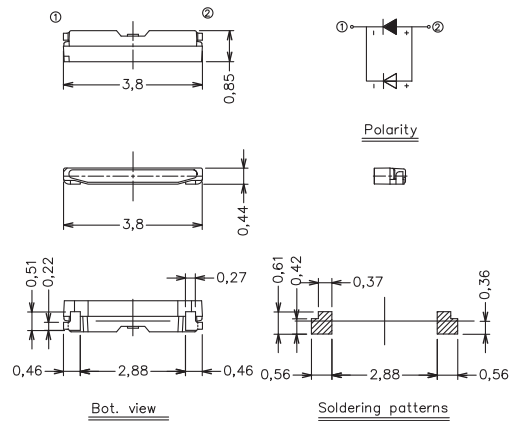
UNIT : mm



Product	Size (LxWxHmm)	Color	Power(W)	CIE(x,y)	Iv (lm)	VF (V)	Viewing Angle(°)
99-218G	3.8x0.9x0.4	White	0.06	X=0.295,Y=0.28	6.25-9.00	2.7-3.4	120



UNIT : mm



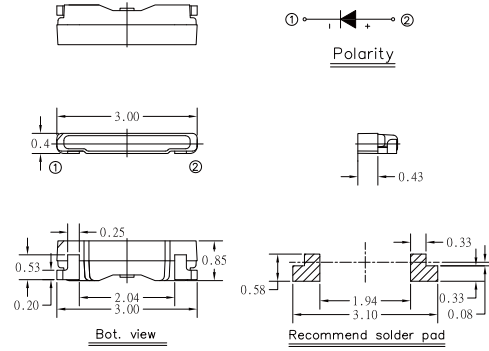
Product	Size (LxWxHmm)	Color	Power(W)	CIE(x,y)	Iv (lm)	VF (V)	Viewing Angle(°)
99-228T	3.8x0.85x0.4	White	0.06	X=0.295,Y=0.28	6.25-9.00	2.7-3.2	120

Backlighting LED | Portable

Application/ Side View



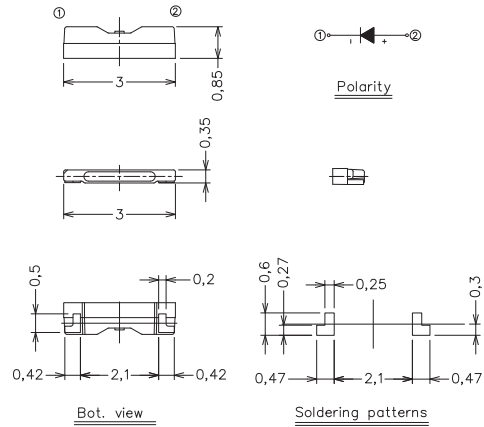
UNIT : mm



Product	Size (LxWxHmm)	Color	Power(W)	CIE(x,y)	Iv (lm)	VF (V)	Viewing Angle(°)
3004	3.0x0.85x0.4	White	0.06	X=0.295,Y=0.28	6.25-8.50	2.7-3.4	115

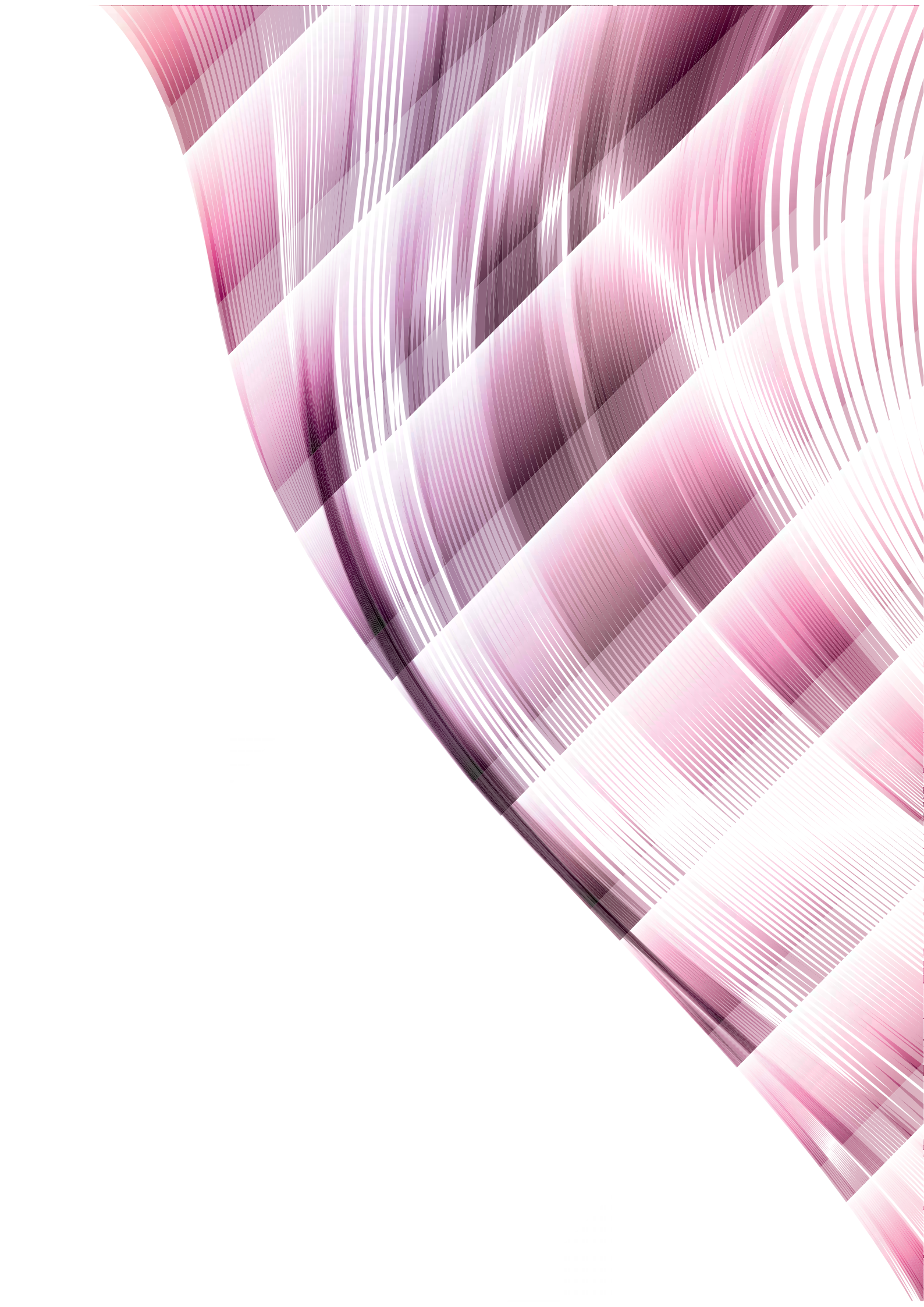


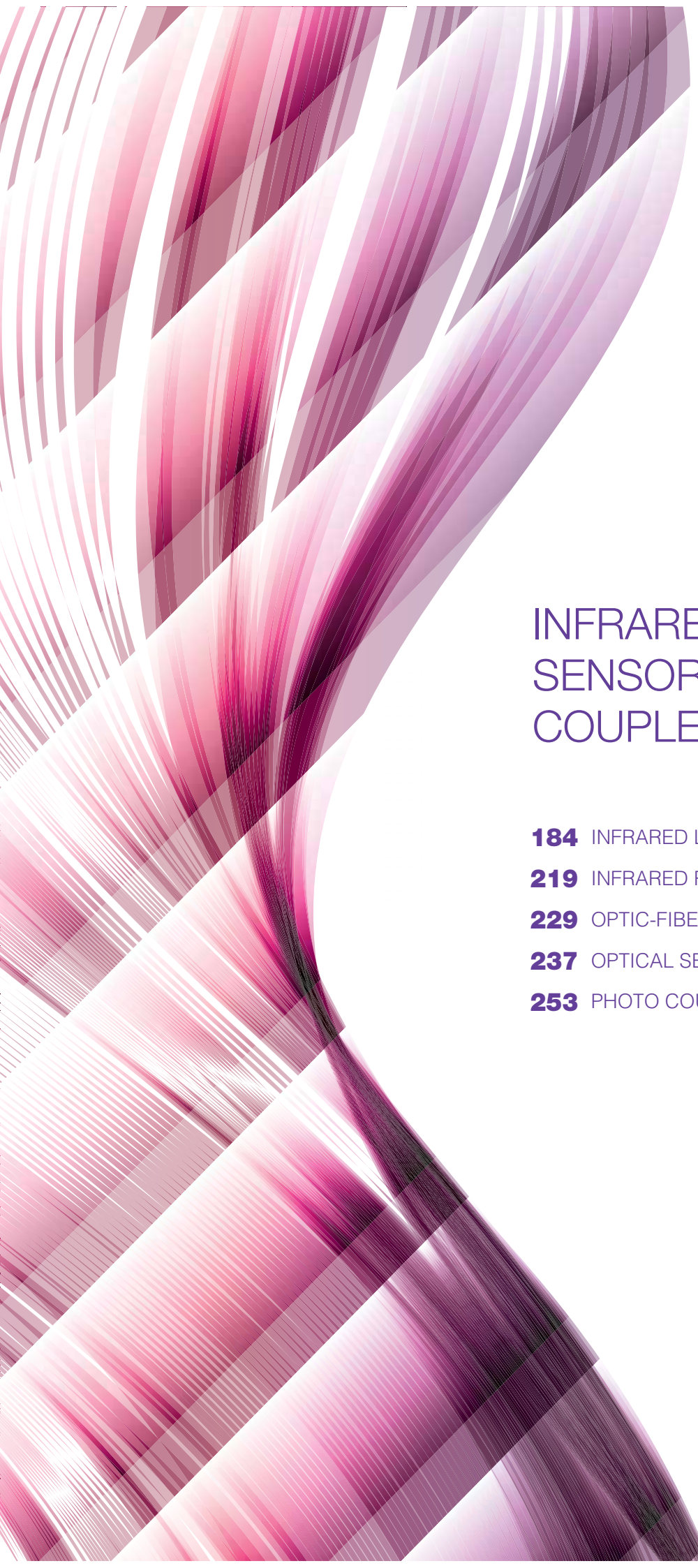
UNIT : mm



Product	Size (LxWxHmm)	Color	Power(W)	CIE(x,y)	Iv (lm)	VF (V)	Viewing Angle(°)
3003	3.0x0.85x0.3	White	0.06	X=0.295,Y=0.28	5.25-7.75	2.7-3.4	115







INFRARED LED, SENSORS, COUPLERS

184 INFRARED LED AND SILICON DETECTOR

219 INFRARED RECEIVER MODULE

229 OPTIC-FIBER DEVICE (PHOTO LINK)

237 OPTICAL SENSOR

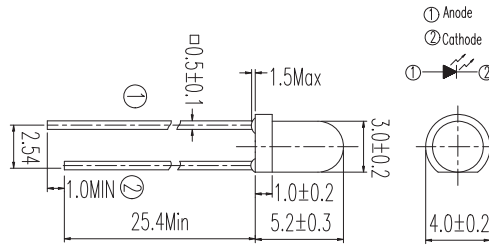
253 PHOTO COUPLER

Infrared LED and Silicon Detector | Emitter | Lamp 3mm

Infrared LED and Silicon Detector



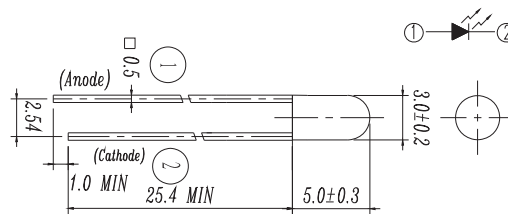
UNIT : mm



Product	Size (mm)	λ_p (nm)	V_F Typ (V)	V_F Max (V)	I_e Min (mW/sr)	I_e Typ (mW/sr)	Viewing Angle (°)
HIR204	3	850	1.45	1.65	7.8	17.6	25
HIR204/H0	3	850	1.45	1.65	4	8.9	40
HIR204C	3	850	1.45	1.65	7.8	17.6	25
HIR204C/H0	3	850	1.45	1.65	11	20	40
IR204-A	3	940	1.2	1.5	4	5.6	35
IR204/H16/L10	3	940	1.2	1.5	4	8	50
IR204/H60	3	940	1.2	1.5	4	7	50
IR204C-A	3	940	1.2	1.5	4	7.8	40
IR204C/H16/L10	3	940	1.2	1.5	2.8	5	50
SIR204-A	3	875	1.3	1.6	4	6.4	30
SIR204C	3	875	1.3	1.6	4	6.4	30



UNIT : mm

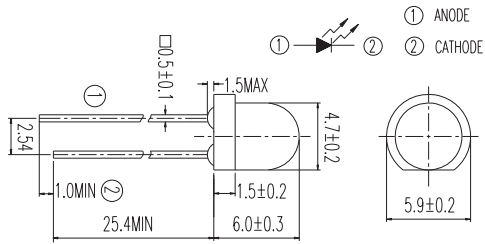


Product	Size (mm)	λ_p (nm)	V_F Typ (V)	V_F Max (V)	I_e Min (mW/sr)	I_e Typ (mW/sr)	Viewing Angle (°)
SIR234	3	875	1.3	1.6	5.6	9.3	30
HIR234C	3	850	1.45	1.65	7.8	15	30

Infrared LED and Silicon Detector | Emitter | Lamp 5mm



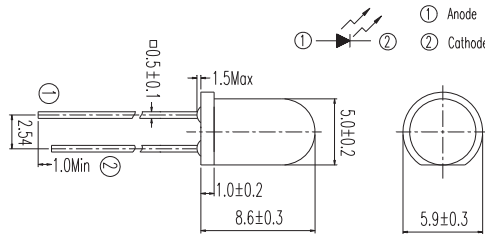
UNIT : mm



Product	Size (mm)	λ_p (nm)	V_F Typ (V)	V_F Max (V)	I_{e_Min} (mW/sr)	I_{e_Typ} (mW/sr)	Viewing Angle (°)
HIR323C	5	850	1.45	1.65	15	30	15
HIR323C/H0	5	850	1.45	1.65	7.8	11	30
IR323	5	940	1.2	1.5	5.6	7.8	30
IR323/H0-A	5	940	1.2	1.5	2	3.5	60



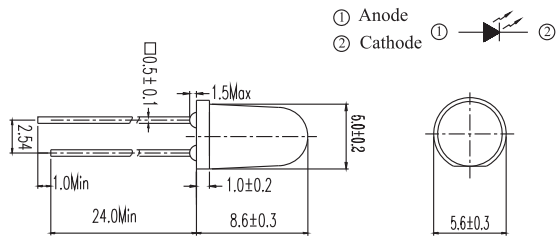
UNIT : mm



Product	Size (mm)	λ_p (nm)	V_F Typ (V)	V_F Max (V)	I_{e_Min} (mW/sr)	I_{e_Typ} (mW/sr)	Viewing Angle (°)
HIR333/H0	5	850	1.45	1.65	7.8	15	30
HIR333C/H0	5	850	1.45	1.65	7.8	15	30
IR333-A	5	940	1.2	1.5	7.8	20	20
IR333/H0	5	940	1.2	1.5	5.6	7.8	40
IR333/H0/L10	5	940	1.2	1.5	11	20	40
IR333C	5	940	1.2	1.5	7.8	15	20
IR333C/H0/L10	5	940	1.2	1.5	7.8	10	40
IR333C/H2	5	940	1.2	1.5	7.8	15	30
SIR333-A	5	875	1.3	1.65	7.8	20	20



UNIT : mm



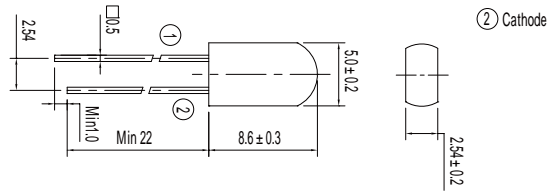
Product	Size (mm)	λ_p (nm)	V_F Typ (V)	V_F Max (V)	I_{e_Min} (mW/sr)	I_{e_Typ} (mW/sr)	Viewing Angle (°)
IR383	5	940	1.2	1.5	15	20	20
SIR383C	5	875	1.3	1.6	11	20	20
HIR383C/L289	5	850	1.45	1.65	--	140	18

Infrared LED and Silicon Detector

Infrared LED and Silicon Detector | Emitter | Lamp 5mm



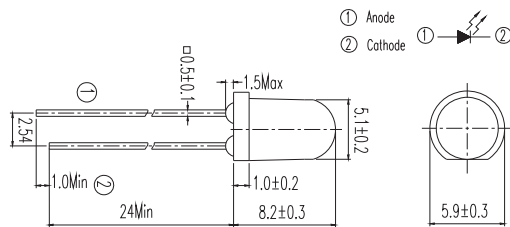
UNIT : mm



Product	Size (mm)	λ_p (nm)	V_F Typ (V)	V_F Max (V)	I_{e_Min} (mW/sr)	I_{e_Typ} (mW/sr)	Viewing Angle (°)
IR533C	5	940	1.2	1.5	4	7.8	25



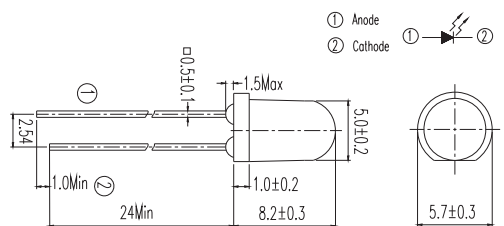
UNIT : mm



Product	Size (mm)	λ_p (nm)	V_F Typ (V)	V_F Max (V)	I_{e_Min} (mW/sr)	I_{e_Typ} (mW/sr)	Viewing Angle (°)
HIR7373B/L289	5	850	1.45	1.6	21	40	25
HIR7373C	5	850	1.45	1.65	7.8	15	40
IR7373C	5	940	1.2	1.5	5.6	12	45



UNIT : mm

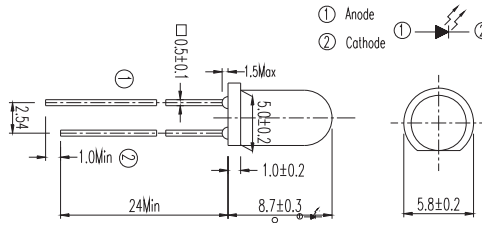


Product	Size (mm)	λ_p (nm)	V_F Typ (V)	V_F Max (V)	I_{e_Min} (mW/sr)	I_{e_Typ} (mW/sr)	Viewing Angle (°)
HIR7393B/L289	5	850	1.45	1.6	7.8	20	50
HIR7393C	5	850	1.45	1.65	7.8	15	45
IR7393C	5	940	1.2	1.5	4	6.5	55

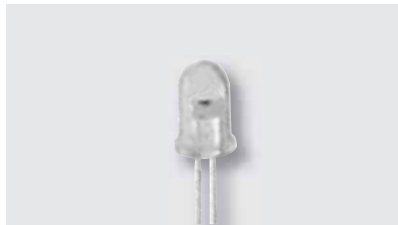
Infrared LED and Silicon Detector | Emitter | Lamp 5mm



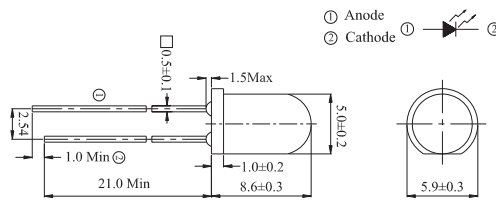
UNIT : mm



Product	Size (mm)	λ_p (nm)	V_F Typ (V)	V_F Max (V)	I_{e_Min} (mW/sr)	I_{e_Typ} (mW/sr)	Viewing Angle (°)
HIR8323/C16	5	850	1.45	1.65	20	30	30



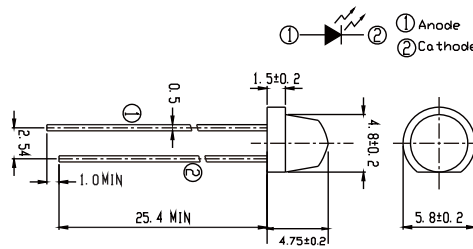
UNIT : mm



Product	Size (mm)	λ_p (nm)	V_F Typ (V)	V_F Max (V)	I_{e_Min} (mW/sr)	I_{e_Typ} (mW/sr)	Viewing Angle (°)
IR8353-14C	5	940	1.2	1.5	7.8	11	27-43



UNIT : mm



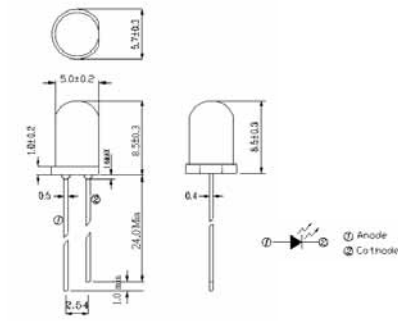
Product	Size (mm)	λ_p (nm)	V_F Typ (V)	V_F Max (V)	I_{e_Min} (mW/sr)	I_{e_Typ} (mW/sr)	Viewing Angle (°)
HIR7323C/L599	5	850	1.4@50mA	1.7@50mA	10@50mA	13@50mA	75

Infrared LED and Silicon Detector | Emitter | Lamp 5mm

Infrared LED and Silicon Detector



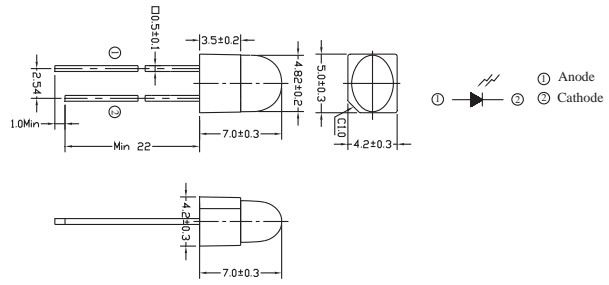
UNIT : mm



Product	Size (mm)	λ_p (nm)	V_F Typ (V)	V_F Max (V)	I_{e_Min} (mW/sr)	I_{e_Typ} (mW/sr)	Viewing Angle (°)
IR8394-20C	5	940	1.2	1.5	2.8	5	60



UNIT : mm

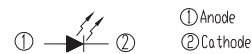
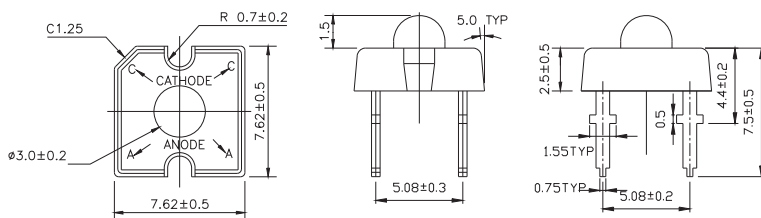


Product	Size (mm)	λ_p (nm)	V_F Typ (V)	V_F Max (V)	I_{e_Min} (mW/sr)	I_{e_Typ} (mW/sr)	Viewing Angle (°)
IR5443-14C/L527	5	940	1.2	1.5	4	9	60(X)30(Y)

Infrared LED and Silicon Detector | Emitter | Piranha



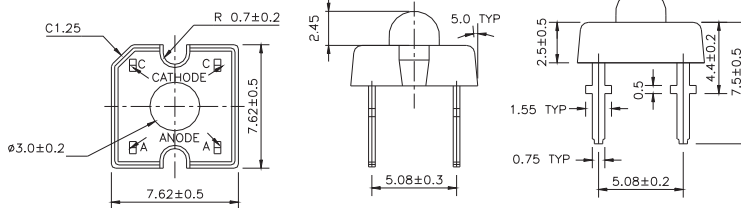
UNIT : mm



Product	Size (LxWxHmm)	λ_p (nm)	V_F Typ (V)	V_F Max (V)	I_{e_Min} (mW/sr)	I_{e_Typ} (mW/sr)	Viewing Angle (°)
HIR30-01C/S16	7.62x7.62x4	850	1.45	1.65	5.6	10	35



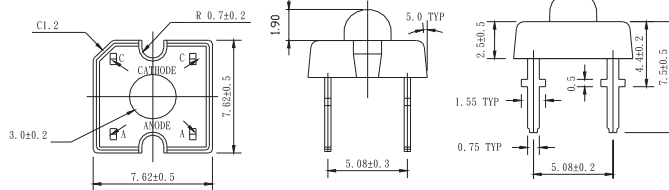
UNIT : mm



Product	Size (LxWxHmm)	λ_p (nm)	V_F Typ (V)	V_F Max (V)	I_{e_Min} (mW/sr)	I_{e_Typ} (mW/sr)	Viewing Angle (°)
HIR36-01C/S32	7.62x7.62x5	850	1.45	1.65	15	29	20



UNIT : mm



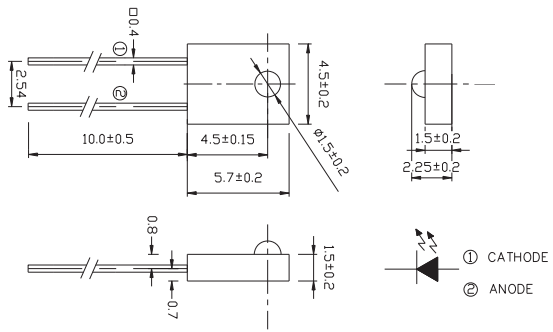
Product	Size (LxWxHmm)	λ_p (nm)	V_F Typ (V)	V_F Max (V)	I_{e_Min} (mW/sr)	I_{e_Typ} (mW/sr)	Viewing Angle (°)
HIR38-01C	7.62x7.62x4.4	850	1.45	1.65	7.8	17	30

Infrared LED and Silicon Detector

Infrared LED and Silicon Detector | Emitter | Side Look



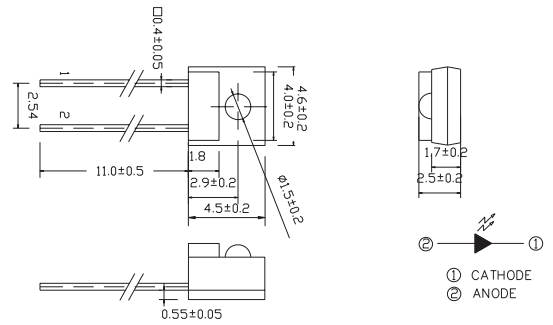
UNIT : mm



Product	Size (LxWxHmm)	λ_p (nm)	V_F Typ (V)	V_F Max (V)	le_Min (mW/sr)	le_Typ (mW/sr)	Viewing Angle (°)
IR908-7C-F	4.5x2.25x5.7	940	1.2	1.5	--	--	40



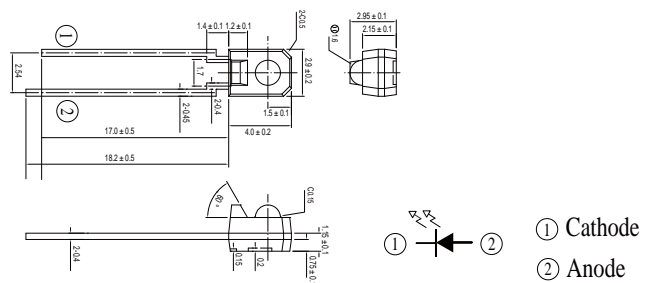
UNIT : mm



Product	Size (LxWxHmm)	λ_p (nm)	V_F Typ (V)	V_F Max (V)	le_Min (mW/sr)	le_Typ (mW/sr)	Viewing Angle (°)
IR928-6C-F	4.6x2.5x4.5	940	1.2	1.5	--	--	20

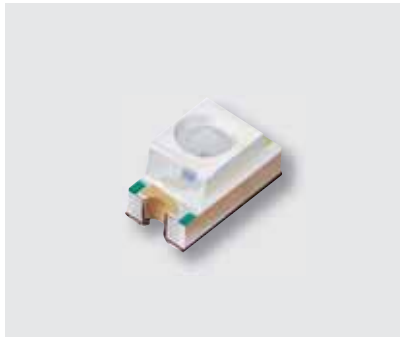


UNIT : mm

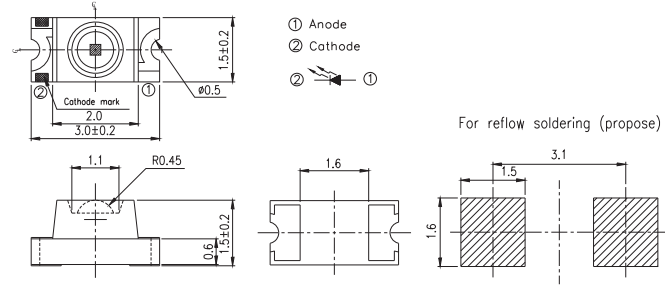


Product	Size (LxWxHmm)	λ_p (nm)	V_F Typ (V)	V_F Max (V)	le_Min (mW/sr)	le_Typ (mW/sr)	Viewing Angle (°)
IR968-8C	2.9x2.9x4	940	1.2	1.5	--	--	25

Infrared LED and Silicon Detector | Emitter | SMD



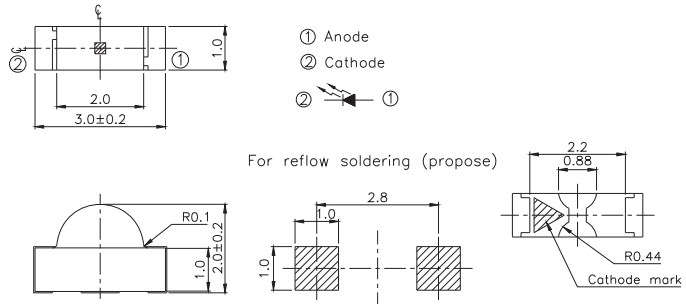
UNIT : mm



Product	Size (LxWxHmm)	λ_p (nm)	V_F Typ (V)	V_F Max (V)	I_{e_Min} (mW/sr)	I_{e_Typ} (mW/sr)	Viewing Angle (°)
IR11-21C/TR8	3x1.5x1.5	940	1.2	1.5	0.5	1.6	100
IR11-21C/L491/TR8	3x1.5x1.5	940	1.3	1.7	1.0	4.0	80
HIR11-21C/L11/TR8	3x1.5x1.5	850	1.45	1.65	1	2	75
SIR11-21C/L294/TR8	3x1.5x1.5	870	1.4	1.5	1.3	2.6	100



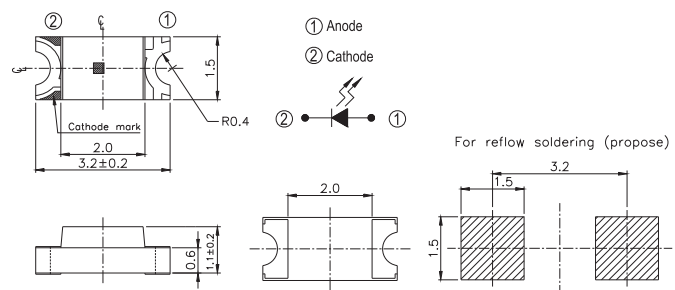
UNIT : mm



Product	Size (LxWxHmm)	λ_p (nm)	V_F Typ (V)	V_F Max (V)	I_{e_Min} (mW/sr)	I_{e_Typ} (mW/sr)	Viewing Angle (°)
IR12-21C/TR8	3x1x2	940	1.2	1.5	0.5	0.8	160
SIR12-21C/TR8	3x1x2	875	1.3	1.6	0.5	0.9	160
HIR12-21C/TR8	3x1x2	850	1.45	1.65	0.7	1.3	145



UNIT : mm

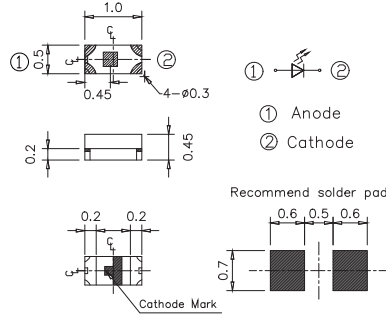


Product	Size (LxWxHmm)	λ_p (nm)	V_F Typ (V)	V_F Max (V)	I_{e_Min} (mW/sr)	I_{e_Typ} (mW/sr)	Viewing Angle (°)
HIR15-21C/TR8	3.2x1.5x1.1	850	1.45	1.65	0.5	1.5	150
IR15-21C/TR8	3.2x1.5x1.1	940	1.2	1.5	0.2	0.8	160

Infrared LED and Silicon Detector | Emitter | SMD



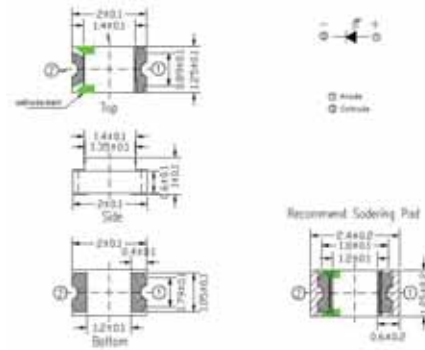
UNIT : mm



Product	Size (LxWxHmm)	λ_p (nm)	V_F Typ (V)	V_F Max (V)	I_e Min (mW/sr)	I_e Typ (mW/sr)	Viewing Angle (°)
IR16-213C/L510/TR8	1x0.5x0.45	940	1.5	1.9	0.5	2.35	120



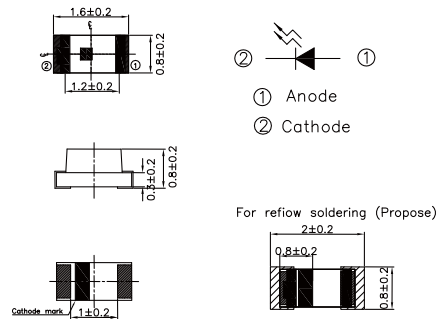
UNIT : mm



Product	Size (LxWxHmm)	λ_p (nm)	V_F Typ (V)	V_F Max (V)	I_e Min (mW/sr)	I_e Typ (mW/sr)	Viewing Angle (°)
IR17-21C/TR8	2x1.25x1.0	940	1.2	1.5	0.2	0.8	120
HIR17-21C/TR8	2x1.25x1.0	850	1.45	1.65	0.5	2	120
HIR17-21C/L289/TR8	2x1.25x1.0	850	1.4	1.7	1.6	2.1	120



UNIT : mm

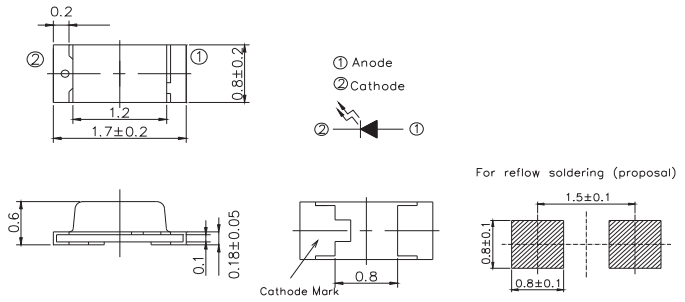


Product	Size (LxWxHmm)	λ_p (nm)	V_F Typ (V)	V_F Max (V)	I_e Min (mW/sr)	I_e Typ (mW/sr)	Viewing Angle (°)
IR19-21C/TR8	1.6x0.8x0.8	940	1.2	1.5	0.2	0.7	150
SIR19-21C/TR8	1.6x0.8x0.8	875	1.3	1.6	0.2	0.5	145
HIR19-21C/L11/TR8	1.6x0.8x0.8	850	1.45	1.65	0.2	0.8	145
HIR19-21C/L289/TR8	1.6x0.8x0.8	850	1.4	1.7	1.0	1.85	145

Infrared LED and Silicon Detector | Emitter | SMD



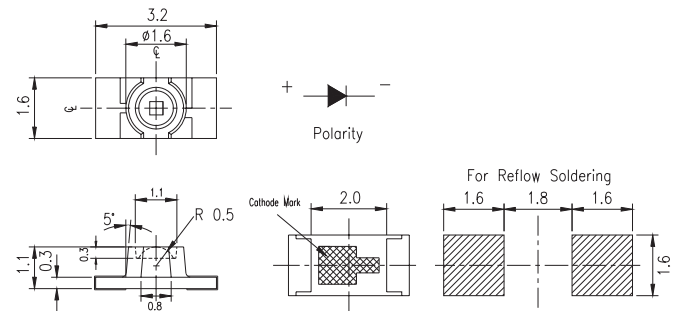
UNIT : mm



Product	Size (LxWxHmm)	λ_p (nm)	V_F Typ (V)	V_F Max (V)	I_{e_Min} (mW/sr)	I_{e_Typ} (mW/sr)	Viewing Angle (°)
IR19-315C/TR8	1.7x0.8x0.6	940	1.2	1.5	0.2	0.6	140



UNIT : mm

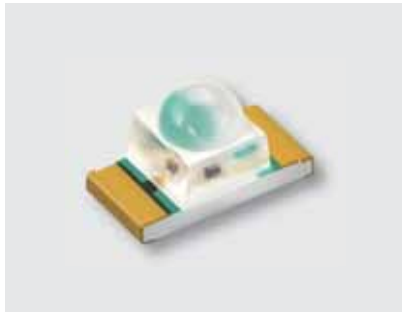


Product	Size (LxWxHmm)	λ_p (nm)	V_F Typ (V)	V_F Max (V)	I_{e_Min} (mW/sr)	I_{e_Typ} (mW/sr)	Viewing Angle (°)
IR25-21C/TR8	3.2x1.6x1.1	940	1.2	1.5	0.5	1.5	160
HIR25-21C/L423/TR8	3.2x1.6x1.1	850	1.45	1.65	3.0	5.5	70
HIR25-21C/L423/2T	3.2x1.6x1.1	850	1.6@50mA	2.0@50mA	3.0	5.5	70

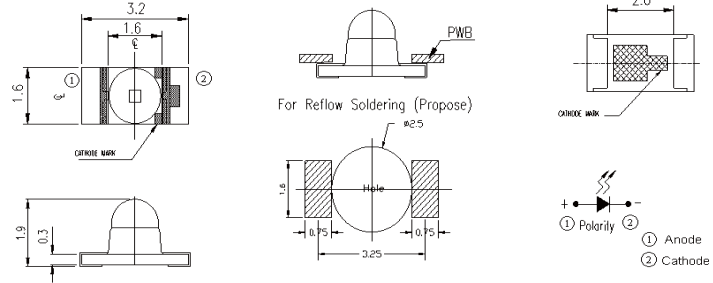
Infrared LED and Silicon Detector

Infrared LED and Silicon Detector | Emitter | SMD

Infrared LED and Silicon Detector



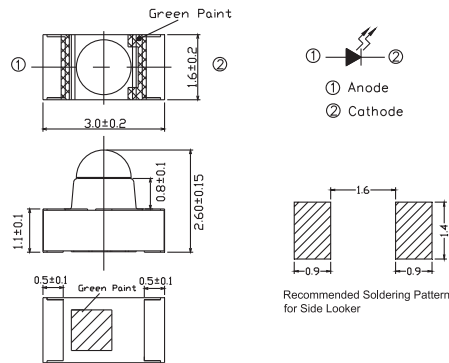
UNIT : mm



Product	Size (LxWxHmm)	λ_p (nm)	V_F Typ (V)	V_F Max (V)	I_{e_Min} (mW/sr)	I_{e_Typ} (mW/sr)	Viewing Angle (°)
IR26-21C/L110/TR8	3.2x1.6x1.9	940	1.2	1.5	1	3.0	20
HIR26-21C/L423/CT	3.2x1.6x1.9	855	1.45	1.7	14	25	20
HIR26-21C/L289/CT	3.2x1.6x1.9	850	1.4	1.7	10	17	20



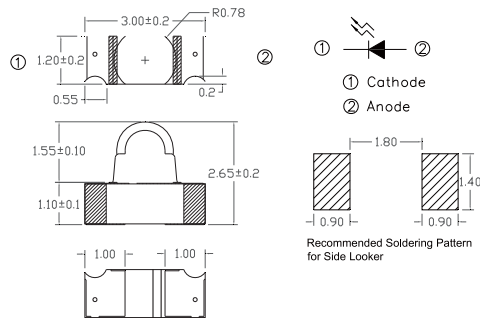
UNIT : mm



Product	Size (LxWxHmm)	λ_p (nm)	V_F Typ (V)	V_F Max (V)	I_{e_Min} (mW/sr)	I_{e_Typ} (mW/sr)	Viewing Angle (°)
IR26-51C/L110/TR8	3.0x1.6x2.6	940	1.2	1.5	2	4.5	20

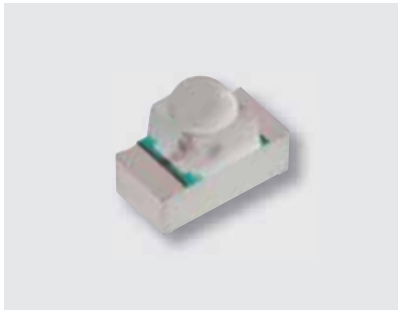


UNIT : mm

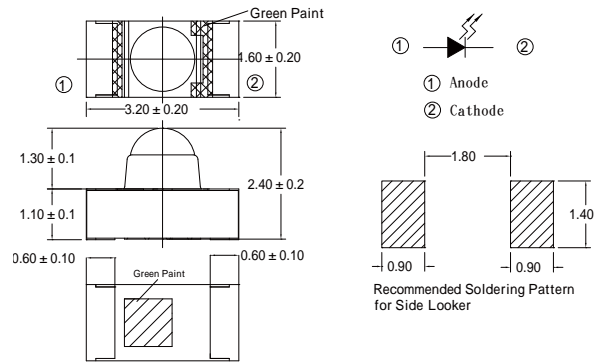


Product	Size (LxWxHmm)	λ_p (nm)	V_F Typ (V)	V_F Max (V)	I_{e_Min} (mW/sr)	I_{e_Typ} (mW/sr)	Viewing Angle (°)
IR26-61C/L302/TR8	3x1.2x2.65	940	1.25	1.5	4.0	8	20
IR26-61C/L745/TR8	3x1.2x2.65	940	1.20	1.5	13	20	25
IR26-61C/L675/TR8	3x1.2x2.65	940	1.2	1.5	4	8	40

Infrared LED and Silicon Detector | Emitter | SMD



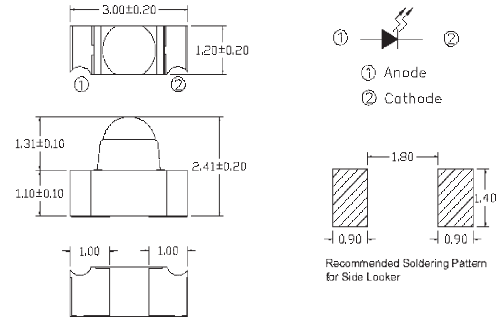
UNIT : mm



Product	Size (LxWxHmm)	λ_p (nm)	V_F Typ (V)	V_F Max (V)	I_{e_Min} (mW/sr)	I_{e_Typ} (mW/sr)	Viewing Angle (°)
IR26-71C/L302/TR8	3.2x1.6x2.4	940	1.25	1.5	2.0	4.5	45



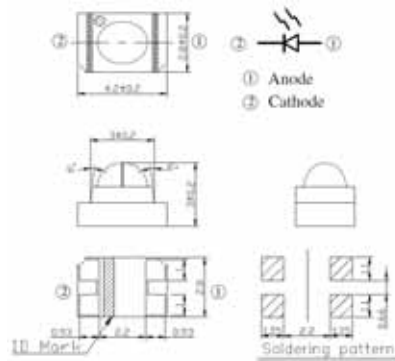
UNIT : mm



Product	Size (LxWxHmm)	λ_p (nm)	V_F Typ (V)	V_F Max (V)	I_{e_Min} (mW/sr)	I_{e_Typ} (mW/sr)	Viewing Angle (°)
IR26-71C/L447/S63/TR8	3.0x2.4x1.2	940	1.3	1.6	5	8.5	50



UNIT : mm



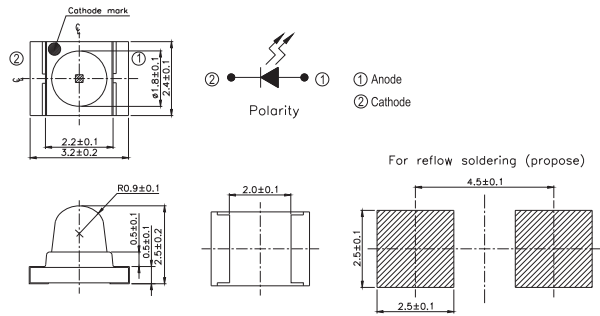
Product	Size (LxWxHmm)	λ_p (nm)	V_F Typ (V)	V_F Max (V)	I_{e_Min} (mW/sr)	I_{e_Typ} (mW/sr)	Viewing Angle (°)
IR28-01C/L491/2R	4.2x2.8x3	940	1.3	1.6	7	11	75(X) 40(Y)
IR28-01C/L698/2R	4.2x2.8x3	940	1.3	1.6	4	6	80(X) 40(Y)
IR28-01C/L710/2R	4.2x2.8x3	940	1.2	1.6	7	9.5	70(X) 40(Y)

Infrared LED and Silicon Detector | Emitter | SMD

Infrared LED and Silicon Detector



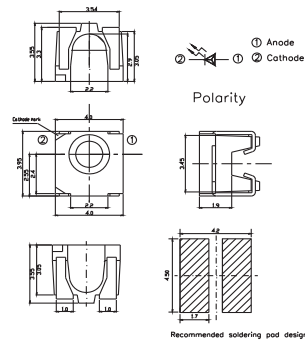
UNIT : mm



Product	Size (LxWxHmm)	λ_p (nm)	V_F Typ (V)	V_F Max (V)	I_e Min (mW/sr)	I_e Typ (mW/sr)	Viewing Angle (°)
IR42-21C/TR8	3.2x2.4x2.5	940	1.2	1.5	1	3	30
HIR42-21C/TR8	3.2x2.4x2.5	850	1.45	1.65	2	5	20
HIR42-21C/L289/TR8	3.2x2.4x2.5	850	1.4	1.6	11	30	20



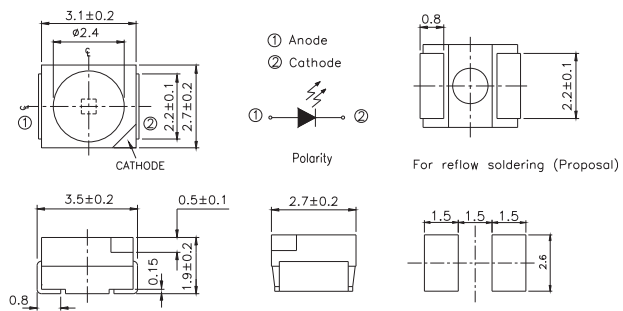
UNIT : mm



Product	Size (LxWxHmm)	λ_p (nm)	V_F Typ (V)	V_F Max (V)	I_e Min (mW/sr)	I_e Typ (mW/sr)	Viewing Angle (°)
IR57-21C/TR8	4x3.95x3.55	940	1.3	1.7	1	1.5	120



UNIT : mm

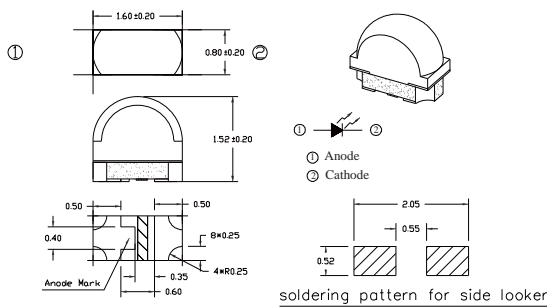


Product	Size (LxWxHmm)	λ_p (nm)	V_F Typ (V)	V_F Max (V)	I_e Min (mW/sr)	I_e Typ (mW/sr)	Viewing Angle (°)
HIR67-21C/L11/TR8	3.5x2.7x1.9	850	1.45	1.65	1	2	120
IR67-21C/TR8	3.5x2.7x1.9	940	1.2	1.5	1	1.5	120
SIR67-21C/TR8	3.5x2.7x1.9	875	1.3	1.6	0.5	1.1	120
HIR67-21C/L289/TR8	3.5x2.7x1.9	850	1.4	1.7	2	3	120

Infrared LED and Silicon Detector | Emitter | SMD



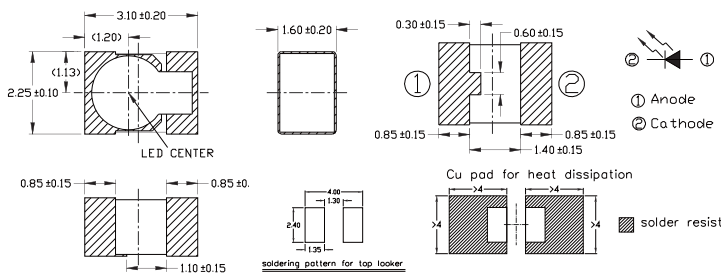
UNIT : mm



Product	Size (LxWxHmm)	λ_p (nm)	V_F Typ (V)	V_F Max (V)	I_{e_Min} (mW/sr)	I_{e_Typ} (mW/sr)	Viewing Angle (°)
HIR83-01B/TR8	1.6x0.8x1.52	850	1.4	1.7	2	5	100(X) 40(Y)
IR83-01C/L491/TR8	1.6x0.8x1.52	940	1.2	1.5	2	4	100(X) 40(Y)



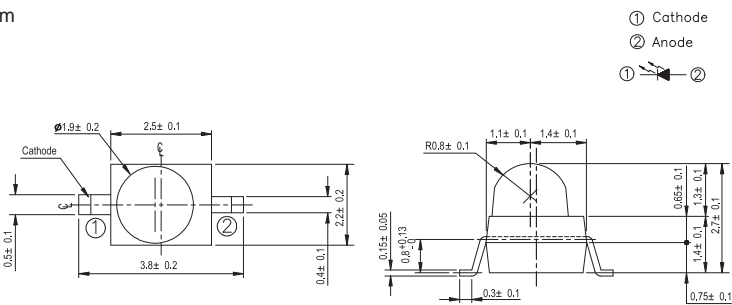
UNIT : mm



Product	Size (LxWxHmm)	λ_p (nm)	V_F Typ (V)	V_F Max (V)	I_{e_Min} (mW/sr)	I_{e_Typ} (mW/sr)	Viewing Angle (°)
HIR89-01C/1R	3.1x2.25x1.6	850	1.4	1.7	40@70mA	125(Max)	30
IR89-01C/L447/1R	3.1x2.25x1.6	940	1.75@100mA	2.2@100mA	40@70mA	60	30



UNIT : mm



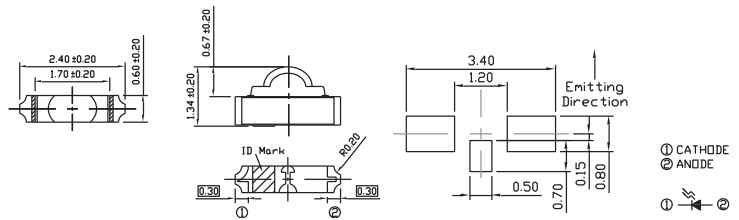
Product	Size (LxWxHmm)	λ_p (nm)	V_F Typ (V)	V_F Max (V)	I_{e_Min} (mW/sr)	I_{e_Typ} (mW/sr)	Viewing Angle (°)
IR91-21C	2.5x2.2x2.7	940	1.2	1.5	3	5	25
IR91-21C/TR7	2.5x2.2x2.7	940	1.2	1.5	3	5	25
IR91-21C/TR10	2.5x2.2x2.7	940	1.2	1.5	3	5	25
SIR91-21C/TR7	2.5x2.2x2.7	875	1.3	1.6	3	5	20

Infrared LED and Silicon Detector

Infrared LED and Silicon Detector | Emitter | SMD



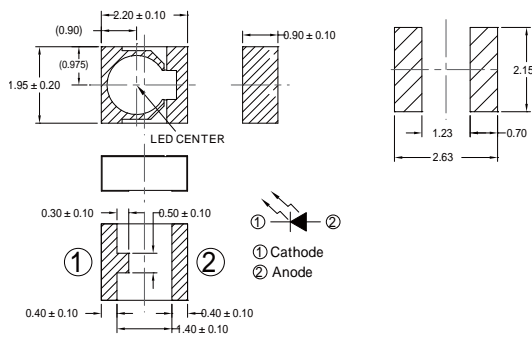
UNIT : mm



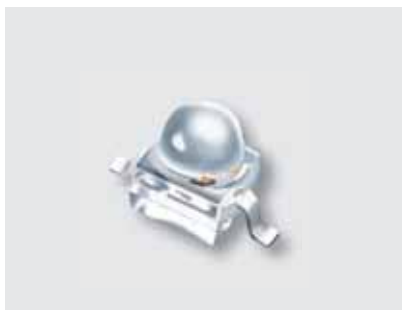
Product	Size (LxWxHmm)	λ_p (nm)	V_F Typ (V)	V_F Max (V)	I_{e_Min} (mW/sr)	I_{e_Typ} (mW/sr)	Viewing Angle (°)
IR12-206C/L268/TR8	2.4x0.6x1.34	940	1.2	1.4	0.8	1.5	160(X) 120(Y)



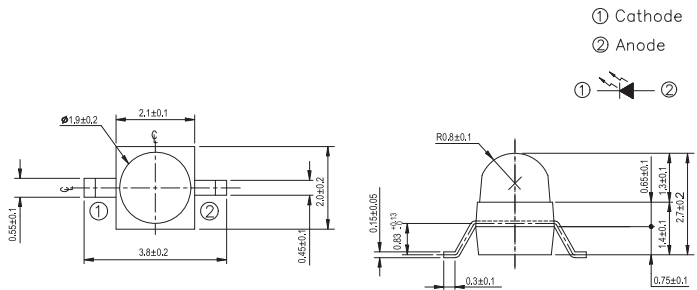
UNIT : mm



Product	Size (LxWxHmm)	λ_p (nm)	V_F Typ (V)	V_F Max (V)	I_{e_Min} (mW/sr)	I_{e_Typ} (mW/sr)	Viewing Angle (°)
HIR91-01C/L297/2T	2.2x1.95x0.9	850	1.4	1.7	25@70mA	40@70mA	40
IR91-01C/L491/2R	2.2x1.95x0.9	940	1.4	1.7	25@70mA	50@70mA	40

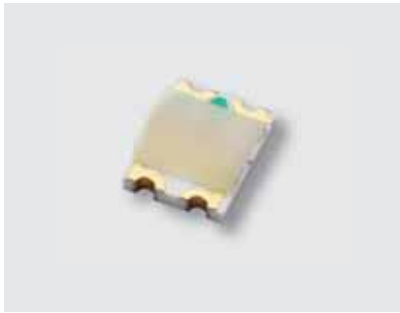


UNIT : mm

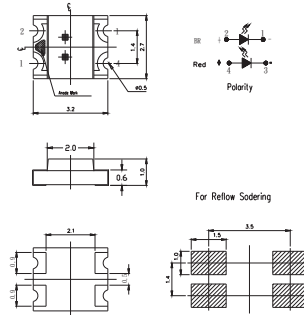


Product	Size (LxWxHmm)	λ_p (nm)	V_F Typ (V)	V_F Max (V)	I_{e_Min} (mW/sr)	I_{e_Typ} (mW/sr)	Viewing Angle (°)
IR95-21C/TR7	2.1x2x2.7	940	1.2	1.5	3	5	25
SIR95-21C/TR10	2.1x2x2.7	875	1.3	1.6	2	4	25

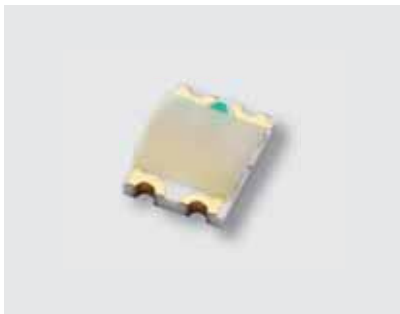
Infrared LED and Silicon Detector | Emitter | SMD



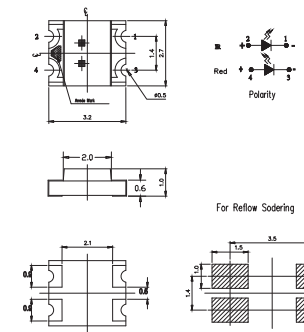
UNIT : mm



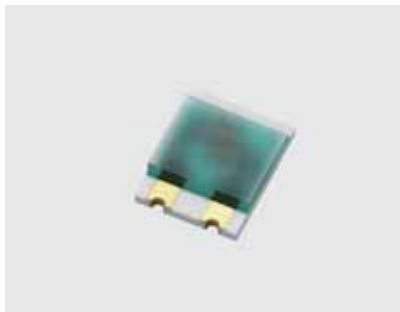
Product	Size (LxWxHmm)	λ_p (nm)	V_F Typ (V)	V_F Max (V)	I_e Min (mW/sr)	I_e Typ (mW/sr)	Viewing Angle (°)
BR15-22C/L586/TR8	3.2x2.7x1	660/905	1.9/1.3	2.5/1.6	0.5/0.2	1.5/0.5	120
BR15-22C/L586/R/TR8	3.2x2.7x1	660/905	1.8/1.3	2.6/1.8	0.5/0.2	1.5/0.5	140



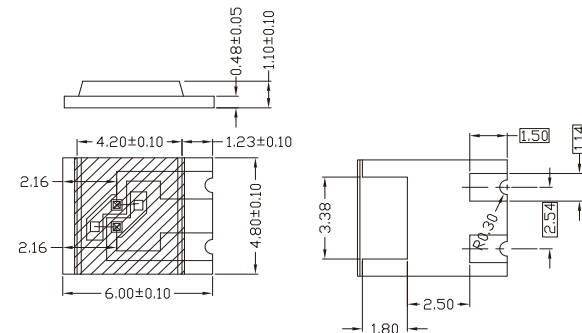
UNIT : mm



Product	Size (LxWxHmm)	λ_p (nm)	V_F Typ (V)	V_F Max (V)	I_e Min (mW/sr)	I_e Typ (mW/sr)	Viewing Angle (°)
IRR15-22C/L491/TR8	3.2x2.7x1	660/940	1.9/1.3	2.5/1.7	1.0/1.0	2.3/2.1	120



UNIT : mm

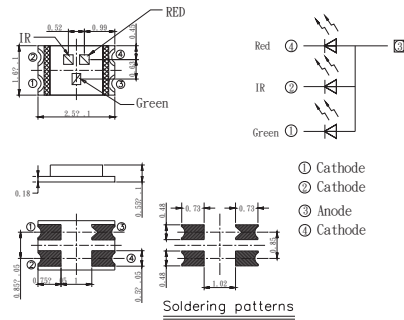


Product	Size (LxWxHmm)	λ_p (nm)	V_F Typ (V)	V_F Max (V)	I_e Min (mW/sr)	I_e Typ (mW/sr)	Viewing Angle (°)
IRR60-48C/TR8	6x4.8x1.1	660/905	2.1/1.4	2.5/1.6	1.0/0.5	2.3/1.0	140/130
IRR60-48C/L661/TR8	6x4.8x1.1	660/910	2.1/1.4	2.5/1.6	1.0/1.0	2.3/1.5	140/130

Infrared LED and Silicon Detector | Emitter | SMD



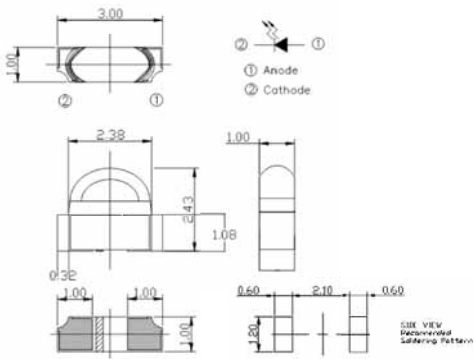
UNIT : mm



Product	Size (LxWxHmm)	λ_P (nm)	V_F Typ (V)	V_F Max (V)	I_{e_Min} (mW/sr)	I_{e_Typ} (mW/sr)	Viewing Angle (°)
IRRG25-16C/L491/TR8	2.5x1.6x0.55	525/660/940	3.0/1.9/1.3	3.5/2.3/1.7	1200mcd/150mcd/1.5	-	120



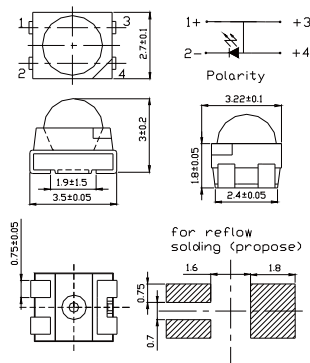
UNIT : mm



Product	Size (LxWxHmm)	λ_P (nm)	V_F Typ (V)	V_F Max (V)	I_{e_Min} (mW/sr)	I_{e_Typ} (mW/sr)	Viewing Angle (°)
IR26-91C/L510/2D	3x2.43x1	940	1.3	1.6	-	8	130(X)20(Y)
IR26-91C/L675/2D	3x2.43x1	940	1.2	1.6	-	3.5	120(X)45(Y)
IR26-91C/L710/2D	3x2.43x1	940	1.2	1.6	-	4	125(X)55(Y)



UNIT : mm

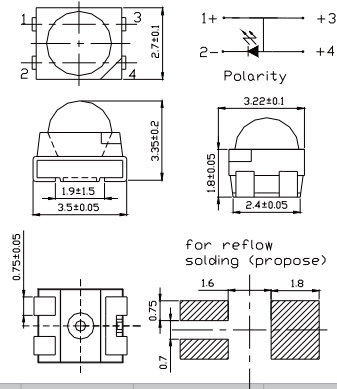


Product	Size (LxWxHmm)	λ_P (nm)	V_F Typ (V)	V_F Max (V)	I_{e_Min} (mW/sr)	I_{e_Typ} (mW/sr)	Viewing Angle (°)
HIR67-31AC/L638/TR8	3.5x2.7x3	850	2.85	3.3	8	15	60

Infrared LED and Silicon Detector | Infrared Receiver Module



UNIT : mm

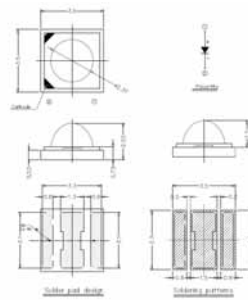


Product	Size (LxWxHmm)	λ_P (nm)	V_F Typ (V)	V_F Max (V)	I_{e_Min} (mW/sr)	I_{e_Typ} (mW/sr)	Viewing Angle (°)
HIR67-31JC/L638/TR8	3.5x2.7x3.35	850	2.85	3.3	13	20	35

Infrared LED and Silicon Detector | Emitter | High Power



UNIT : mm

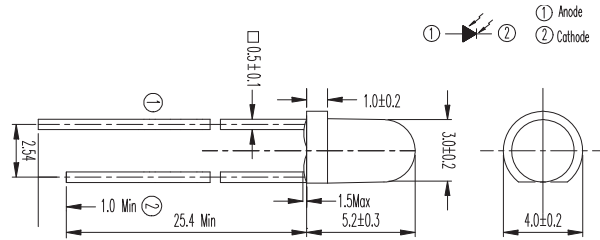


Product	Size (LxWxHmm)	λ_P (nm)	V_F Typ (V) (If = 350mA)	I_{e_Typ} (mW/sr) (If = 350mA)	Power Typ (mW) (If = 350mA)	Viewing Angle (°)
HIR-C19D-1090/L708-P01/TR	3.5x3.5x2.36	850	1.7	110	270	90
IR-C19-N/L482-P01/TR	3.5x3.5x2.36	940	1.6	75	235	105
HIR-C19D-1N90/L649-P03/TR	3.5x3.5x2.36	850	3	200	500	90
IR-C19D-N90/L562-P03/TR	3.5x3.5x2.36	940	3.1	170	370	90
HIR-C19D-1N150/L649-P03/TR	3.5x3.5x1.52	850	3	100	400	150

Infrared LED and Silicon Detector | Photo Diode | DIP



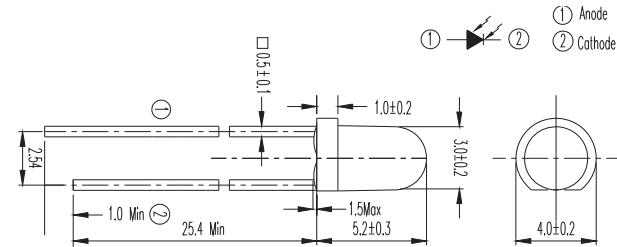
UNIT : mm



Product	Size (mm)	λ_p (nm)	I_L Min (μA)	I_L Typ (μA)	BVR_Min (V)	ID_Max (nA)
PD204-6C/L3	3	940	--	10	32	10



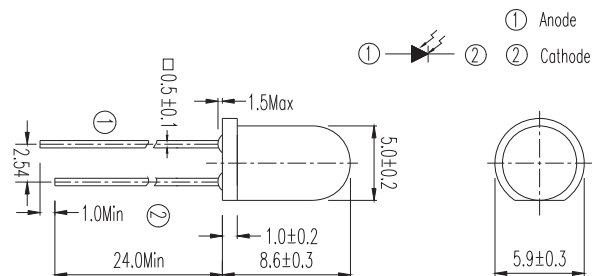
UNIT : mm



Product	Size (mm)	λ_p (nm)	I_L Min (μA)	I_L Typ (μA)	BVR_Min (V)	ID_Max (nA)
PD204-6B	3	940	1	3	32	10



UNIT : mm

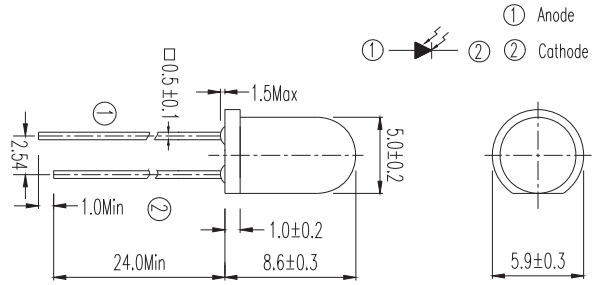


Product	Size (mm)	λ_p (nm)	I_L Min (μA)	I_L Typ (μA)	BVR_Min (V)	ID_Max (nA)
PD333-3C/H0/L2	5	940	36	40	32	30

Infrared LED and Silicon Detector | Photo Diode | DIP



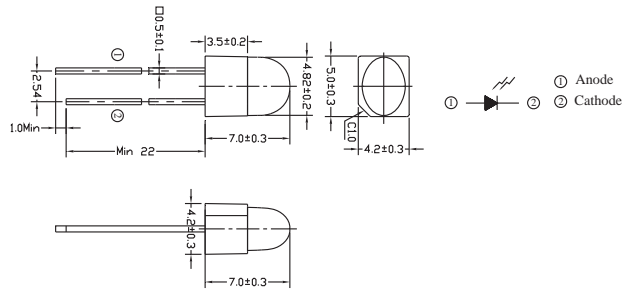
UNIT : mm



Product	Size (LxWxHmm)	λ_p (nm)	I_L _Min (μ A)	I_L _Typ (μ A)	BVR_Min (V)	ID_Max (nA)
PD333-3B/H0/L2	5	940	25	35	32	30



UNIT : mm

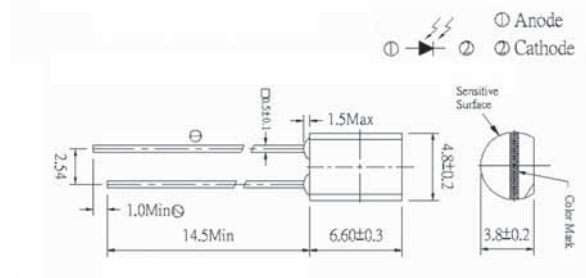


Product	Size (LxWxHmm)	λ_p (nm)	I_L _Min (μ A)	I_L _Typ (μ A)	BVR_Min (V)	ID_Max (nA)
PD5443-3B/L2	5	940	25	39	32	30

Infrared LED and Silicon Detector | Photo Diode | Side Look



UNIT : mm



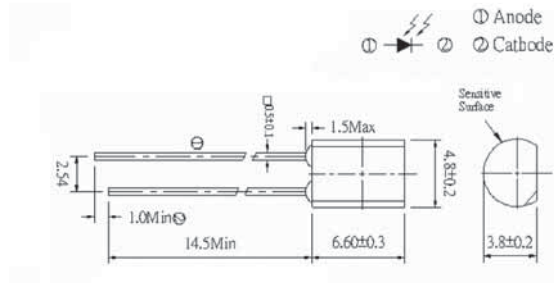
Product	Size (LxWxHmm)	λ_p (nm)	I_L Min (μ A)	I_L Typ (μ A)	Rise / Fall Time (ns)	BVR_Min.(V)	ID_Max (nA)
PD438C	4.8x3.8x6.6	940	10.2	18	50 / 50	32	30
PD438C/S46	4.8x3.8x6.6	940	10.2	18	50 / 50	32	30

Infrared LED and Silicon Detector | Photo Diode | Side Look

Infrared LED and Silicon Detector



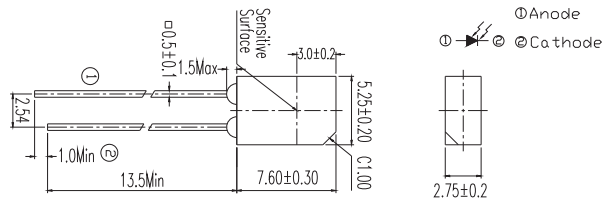
UNIT : mm



Product	Size (LxWxHmm)	λ_p (nm)	I_L Min (μA)	I_L Typ (μA)	Rise / Fall Time (ns)	BVR_Min.(V)	ID_Max (nA)
PD438B	4.8x3.8x6.6	940	10.2	18	50 / 50	32	30
PD438B/L1	4.8x3.8x6.6	940	2.6	4	10 / 10	32	10
PD438B/S46	4.8x3.8x6.6	940	10.2	18	50 / 50	32	30



UNIT : mm

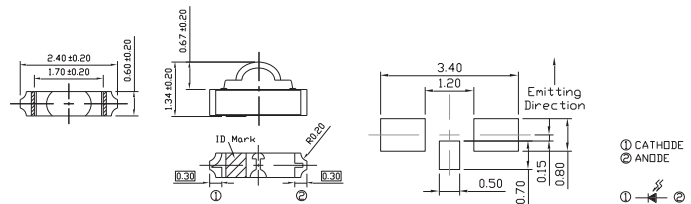


Product	Size (LxWxHmm)	λ_p (nm)	I_L Min (μA)	I_L Typ (μA)	Rise / Fall Time (ns)	BVR_Min.(V)	ID_Max (nA)
PD638B	5.2x2.75x7.6	940	10.2	18	50 / 50	32	30

Infrared LED and Silicon Detector | Photo Diode | SMD



UNIT : mm

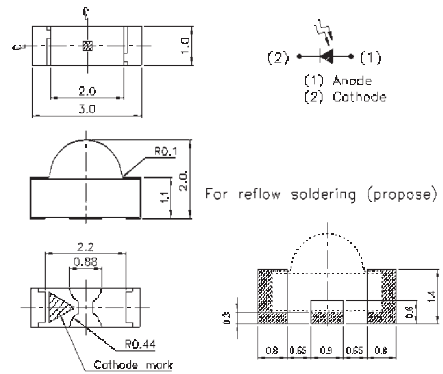


Product	Size (LxWxHmm)	λ_p (nm)	I_L Min (μA)	I_L Typ (μA)	BVR_Min.(V)	ID_Max (nA)
PD12-206B/L512/TR8	2.4x0.6x1.34	875	--	0.7	33	10

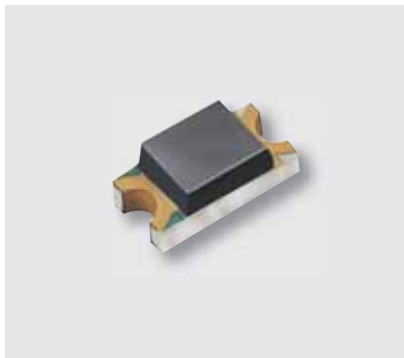
Infrared LED and Silicon Detector | Photo Diode | SMD



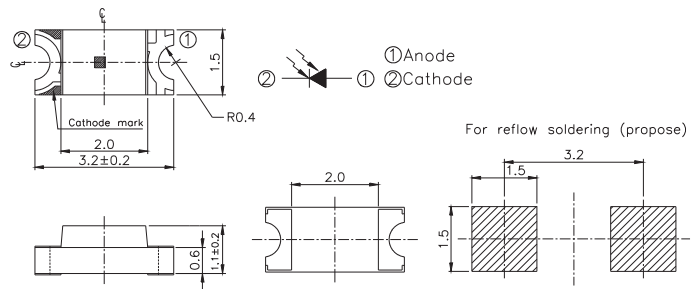
UNIT : mm



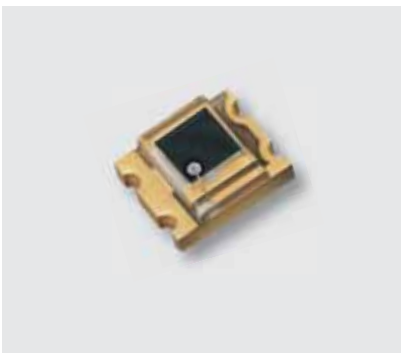
Product	Size (LxWxHmm)	λ_p (nm)	I_L Min (μA)	I_L Typ (μA)	BVR_Min.(V)	ID_Max (nA)
PD12-21B/L458/TR8	3x1x2	940	1.3	1.5	33	10



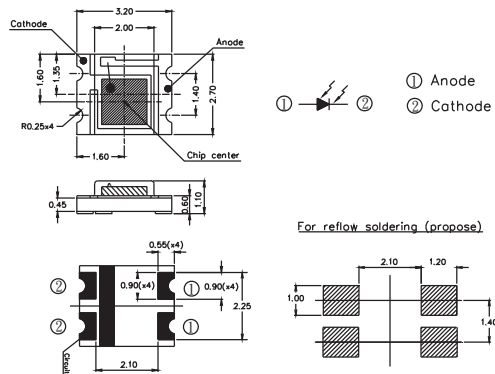
UNIT : mm



Product	Size (LxWxHmm)	λ_p (nm)	I_L Min (μA)	I_L Typ (μA)	BVR_Min.(V)	ID_Max (nA)
PD15-21B/TR8	3.2x1.5x1.1	940	0.2	0.8	32	10



UNIT : mm



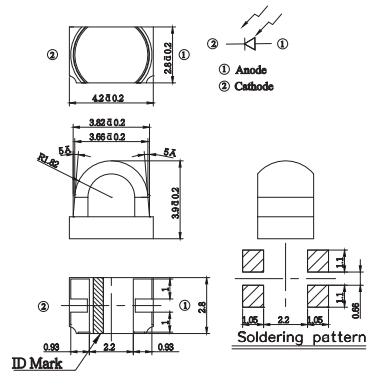
Product	Size (LxWxHmm)	λ_p (nm)	I_L Min (μA)	I_L Typ (μA)	BVR_Min.(V)	ID_Max (nA)
PD15-22C/TR8	3.2x2.7x1.1	940	4.2	6.5	32	10

Infrared LED and Silicon Detector | Photo Diode | SMD

Infrared LED and Silicon Detector



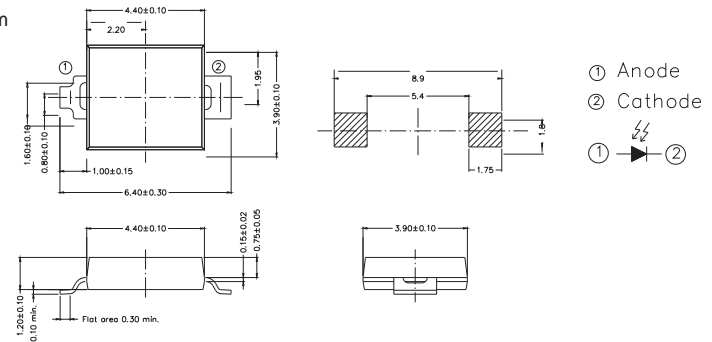
UNIT : mm



Product	Size (LxWxHmm)	λ_p (nm)	I_L Min (μA)	I_L Typ (μA)	BVR_Min.(V)	ID_Max (nA)
PD28-01B/L609/2R	4.2x2.8x3.9	940	20	25	32	30
PD28-01B/L598/2R	4.2x2.8x3.9	940	5	10	32	30



UNIT : mm

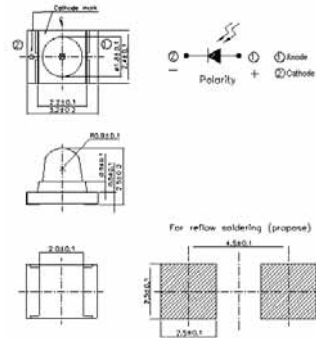


Product	Size (LxWxHmm)	λ_p (nm)	I_L Min (μA)	I_L Typ (μA)	BVR_Min.(V)	ID_Max (nA)
PD70-01B/TR7	4.4x3.9x1.2	940	17	25	32	30
PD70-01C/TR7	4.4x3.9x1.2	940	17	25	32	30
PD70-01C/L469/TR7	4.4x3.9x1.2	950	18@470nm	25@470nm	30	20@VR=30V

Infrared LED and Silicon Detector | Photo Diode | SMD



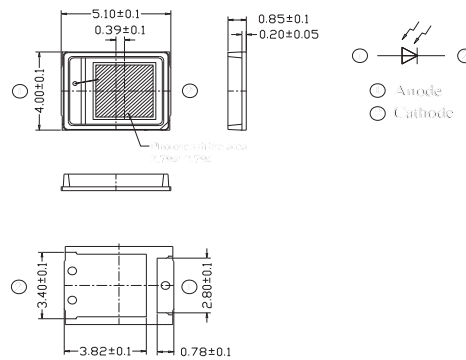
UNIT : mm



Product	Size (LxWxHmm)	λ_P (nm)	I_L Min (μA)	I_L Typ (μA)	BVR_Min.(V)	ID_Max (nA)
PD42-21B/TR8	3.2x2.4x2.6	940	2	4	32	10
PD42-21C/TR8	3.2x2.4x2.6	940	2	5	32	10



UNIT : mm



Product	Size (LxWxHmm)	λ_P (nm)	I_L Min (μA)	I_L Typ (μA)	BVR_Min.(V)	ID_Max (nA)
PD51-40C/TR8	5.1*4.0*0.85	940	20	30	32	10
PD51-40C/L665/TR8	5.1*4.0*0.85	620	19@525nm	23@525nm	32	10

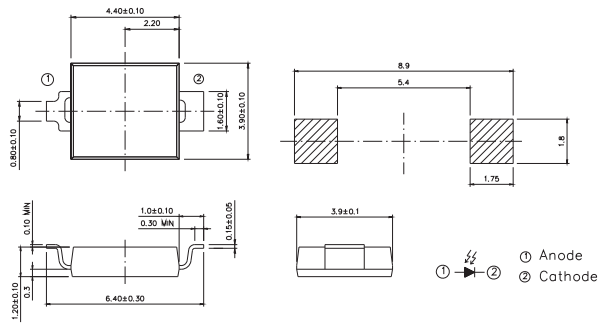
Infrared LED and Silicon Detector

Infrared LED and Silicon Detector | Photo Diode | SMD

Infrared LED and Silicon Detector



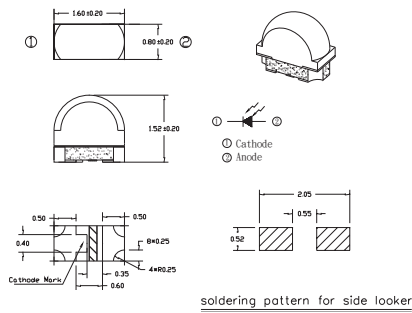
UNIT : mm



Product	Size (LxWxHmm)	λ_p (nm)	I_L Min (μ A)	I_L Typ (μ A)	BVR_Min.(V)	ID_Max (nA)
PD70-01B/TR10	4.4x3.9x1.2	940	17	25	32	30
PD70-01C/TR10	4.4x3.9x1.2	940	17	25	32	30



UNIT : mm

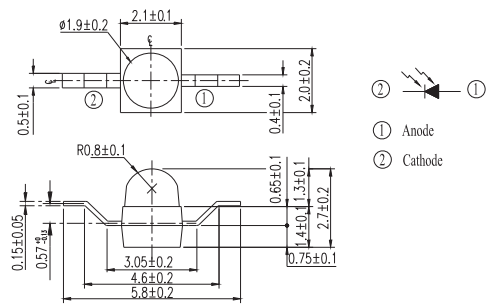


Product	Size (LxWxHmm)	λ_p (nm)	I_L Min (μ A)	I_L Typ (μ A)	BVR_Min.(V)	ID_Max (nA)
PD83-01B/L458/TR8	1.6x0.8x1.52	940	1.14	2.4	32	10

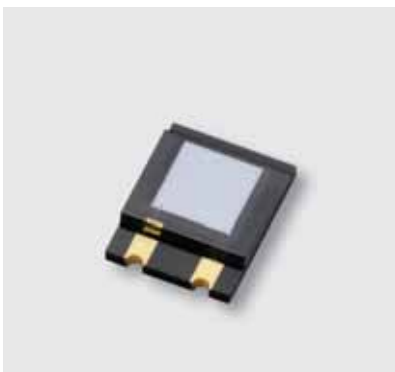
Infrared LED and Silicon Detector | Photo Diode | SMD



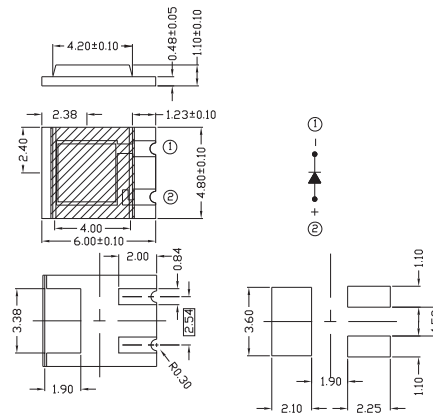
UNIT : mm



Product	Size (LxWxHmm)	λ_P (nm)	I_L Min (μA)	I_L Typ (μA)	BVR_Min.(V)	ID_Max (nA)
PD95-21B/TR10	2.1x2x2.7	940	1	4	32	10



UNIT : mm



Product	Size (LxWxHmm)	λ_P (nm)	I_L Min (μA)	I_L Typ (μA)	BVR_Min (V)	ID_Max (nA)
PD60-48C/TR8	6x4.8x1.1	940	17	33.5	33	20

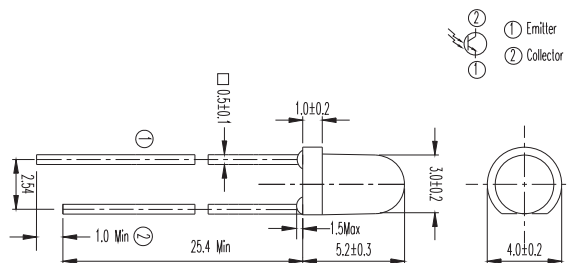
Infrared LED and Silicon Detector

Infrared LED and Silicon Detector | Photo Transistor | DIP

Infrared LED and Silicon Detector



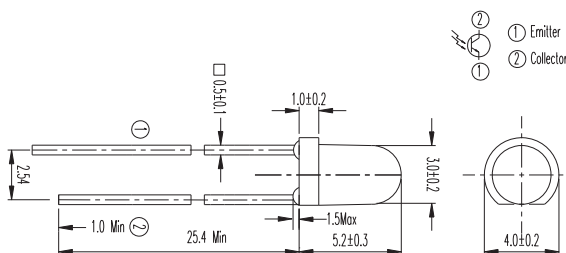
UNIT : mm



Product	Size (mm)	λ_P (nm)	$V_{CE(SAT_Max)}$ (V)	$I_{C(ON_Min)}$ (mA)	$I_{C(ON_Typ)}$ (mA)	$I_{C(ON_Max)}$ (mA)
PT204-6C	3	940	0.4	0.7	2	--



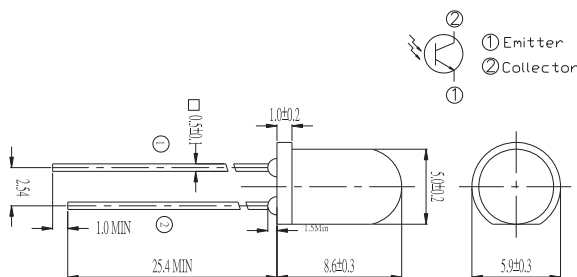
UNIT : mm



Product	Size (mm)	λ_P (nm)	$V_{CE(SAT_Max)}$ (V)	$I_{C(ON_Min)}$ (mA)	$I_{C(ON_Typ)}$ (mA)	$I_{C(ON_Max)}$ (mA)
PT204-6B	3	940	0.4	0.7	--	5.07

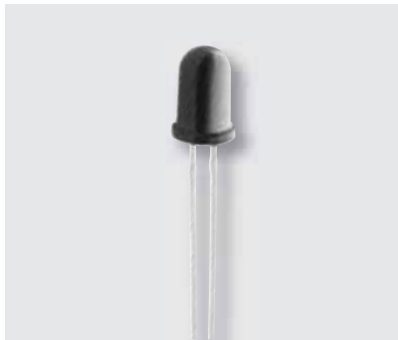


UNIT : mm

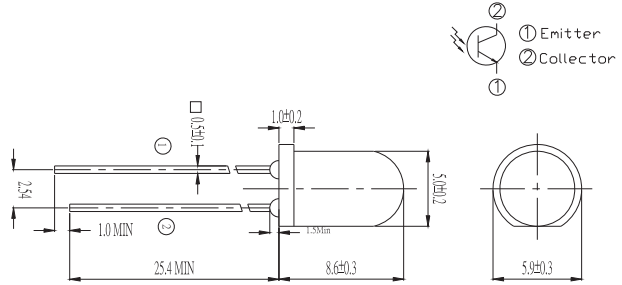


Product	Size (mm)	λ_P (nm)	$V_{CE(SAT_Max)}$ (V)	$I_{C(ON_Min)}$ (mA)	$I_{C(ON_Typ)}$ (mA)	$I_{C(ON_Max)}$ (mA)
PT333-3C	5	940	0.4	0.7	4	--

Infrared LED and Silicon Detector | Photo Transistor | DIP



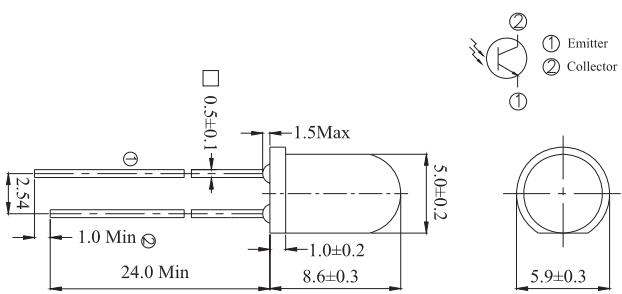
UNIT : mm



Product	Size (mm)	λ_P (nm)	$V_{CE(SAT_Max)}$ (V)	$I_{C(ON_Min)}$ (mA)	$I_{C(ON_Typ)}$ (mA)	$I_{C(ON_Max)}$ (mA)
PT333-3B	5	940	0.4	0.7	3	--



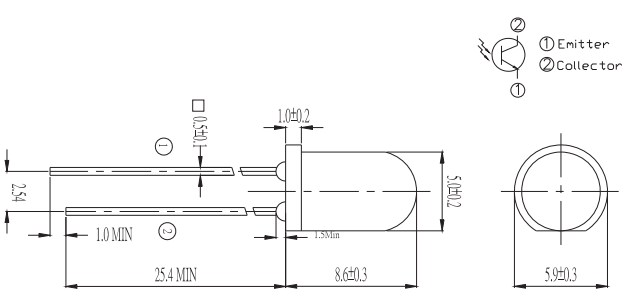
UNIT : mm



Product	Size (mm)	λ_P (nm)	$V_{CE(SAT_Max)}$ (V)	$I_{C(ON_Min)}$ (mA)	$I_{C(ON_Typ)}$ (mA)	$I_{C(ON_Max)}$ (mA)
PT334-6C	5	940	0.4	1.77	3.5	--



UNIT : mm



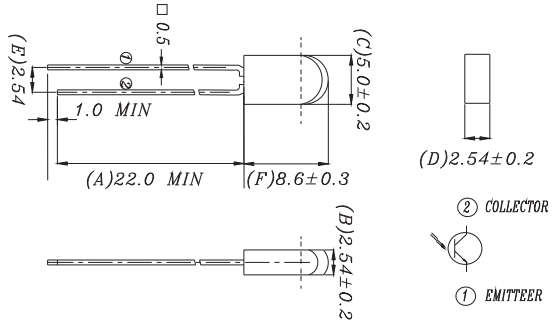
Product	Size (mm)	λ_P (nm)	$V_{CE(SAT_Max)}$ (V)	$I_{C(ON_Min)}$ (mA)	$I_{C(ON_Typ)}$ (mA)	$I_{C(ON_Max)}$ (mA)
PT334-6B	5	940	0.4	0.7	2	--

Infrared LED and Silicon Detector

Infrared LED and Silicon Detector | Photo Transistor | DIP



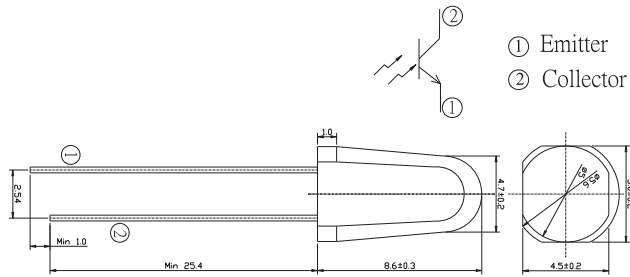
UNIT : mm



Product	Size (mm)	λ_p (nm)	$V_{CE(SAT_Max)}$ (V)	$I_{C(ON_Min)}$ (mA)	$I_{C(ON_Typ)}$ (mA)	$I_{C(ON_Max)}$ (mA)
PT534-6B	5	940	0.4	0.7	1.2	--



UNIT : mm

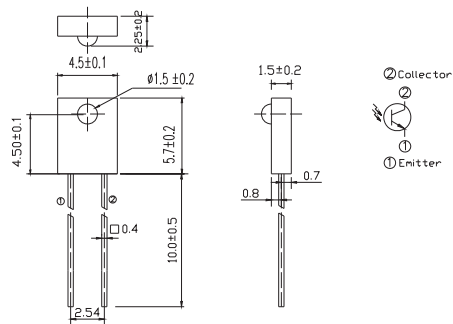


Product	Size (mm)	λ_p (nm)	$V_{CE(SAT_Max)}$ (V)	$I_{C(ON_Min)}$ (mA)	$I_{C(ON_Typ)}$ (mA)	$I_{C(ON_Max)}$ (mA)
PT1504-6B	5	940	0.4	1.77	4	--

Infrared LED and Silicon Detector | Photo Transistor | Side Look



UNIT : mm

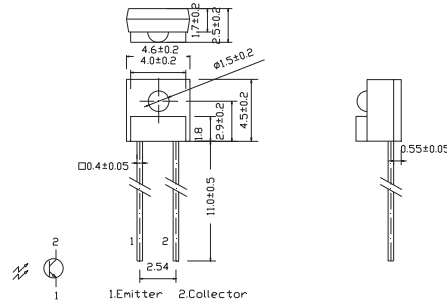


Product	Size (LxWxH)mm	λ_p (nm)	Rise / Fall Time (μs)	$V_{CE(SAT_Max)}$ (V)	$I_{C(ON_Min)}$ (mA)	$I_{C(ON_Typ)}$ (mA)	$I_{C(ON_Max)}$ (mA)
PT908-7B-F	4.5x2.25x5.7	940	15 / 15	0.4	0.8	--	5
PT908-7C-F	4.5x2.25x5.7	940	15 / 15	0.4	0.8	--	5

Infrared LED and Silicon Detector | Photo Transistor | Side Look



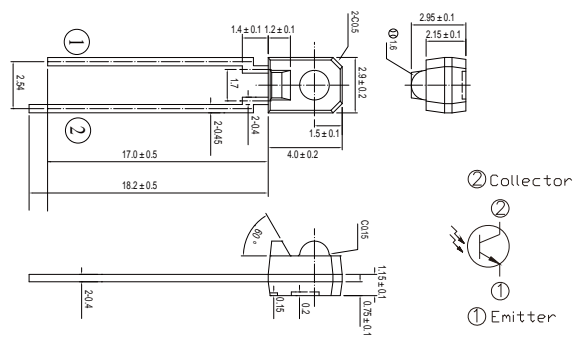
UNIT : mm



Product	Size (LxWxHmm)	λ_p (nm)	Rise / Fall Time (μ s)	$V_{CE(SAT)}_{Max}$ (V)	$I_{C(ON)}_{Min}$ (mA)	$I_{C(ON)}_{Typ}$ (mA)	$I_{C(ON)}_{Max}$ (mA)
PT928-6B-F	4.6x2.5x4.5	940	15 / 15	0.4	0.53	--	3.41
PT928-6C-F	4.6x2.5x4.5	940	15 / 15	0.4	0.53	--	3.41



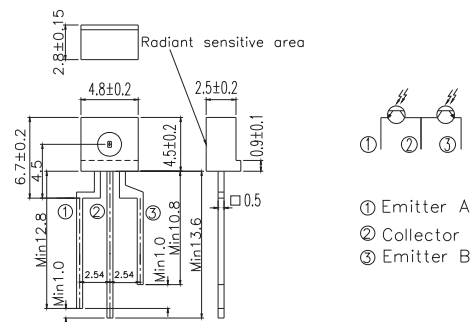
UNIT : mm



Product	Size (LxWxHmm)	λ_p (nm)	Rise / Fall Time (μ s)	$V_{CE(SAT)}_{Max}$ (V)	$I_{C(ON)}_{Min}$ (mA)	$I_{C(ON)}_{Typ}$ (mA)	$I_{C(ON)}_{Max}$ (mA)
PT968-8C	2.9x2.9x4	940	15 / 15	0.4	1.59	--	3.41



UNIT : mm



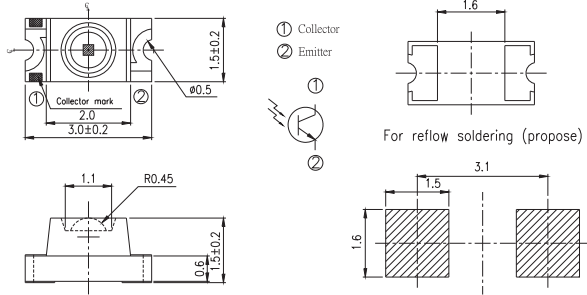
Product	Size (LxWxHmm)	λ_p (nm)	Rise / Fall Time (μ s)	$V_{CE(SAT)}_{Max}$ (V)	$I_{C(ON)}_{Min}$ (mA)	$I_{C(ON)}_{Typ}$ (mA)	$I_{C(ON)}_{Max}$ (mA)
PT2559B/L2-F	4.8x2.8x4.5	940	15 / 15	0.4	0.129	--	1.085
PT2559B/L2/H2-F	4.8x2.8x4.5	940	15 / 15	0.4	0.129	--	1.085
PT5529B/L2-F	4.8x2.8x4.5	940	15 / 15	0.4	0.129	--	1.085
PT5529B/L2/H2-F	4.8x2.8x4.5	940	15 / 15	0.4	0.129	--	1.085

Infrared LED and Silicon Detector

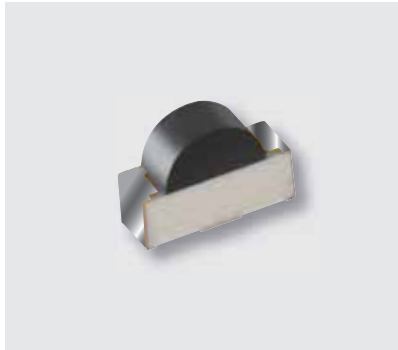
Infrared LED and Silicon Detector | Photo Transistor | SMD



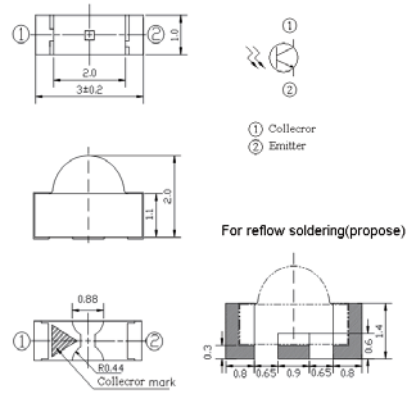
UNIT : mm



Product	Size (LxWxHmm)	λ_P (nm)	$V_{CE(SAT_Max)}$ (V)	$I_{C(ON_Min)}$ (mA)	$I_{C(ON_Typ)}$ (mA)	$I_{C(ON_Max)}$ (mA)
PT11-21C/L41/TR8	3x1.5x1.5	940	0.4	0.3	0.8	--



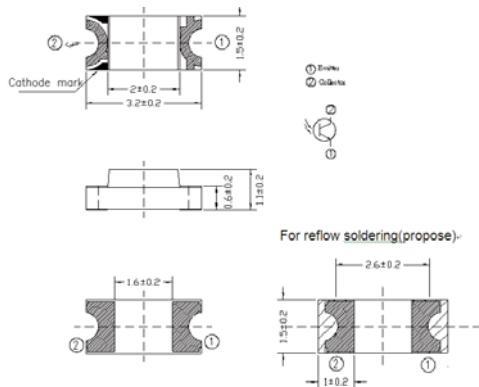
UNIT : mm



Product	Size (LxWxHmm)	λ_P (nm)	$V_{CE(SAT_Max)}$ (V)	$I_{C(ON_Min)}$ (mA)	$I_{C(ON_Typ)}$ (mA)	$I_{C(ON_Max)}$ (mA)
PT12-21B/TR8	3x1x2	940	0.4	0.3	--	--
PT12-21C/TR8	3x1x2	940	0.4	0.3	1.14	--

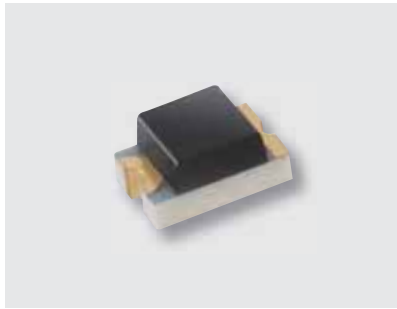


UNIT : mm

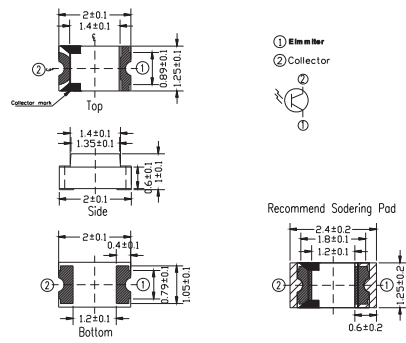


Product	Size (LxWxHmm)	λ_P (nm)	$V_{CE(SAT_Max)}$ (V)	$I_{C(ON_Min)}$ (mA)	$I_{C(ON_Typ)}$ (mA)	$I_{C(ON_Max)}$ (mA)
PT15-21B/TR8	3.2x1.5x1.1	940	0.4	0.1	0.3	--
PT15-21C/TR8	3.2x1.5x1.1	940	0.4	0.1	0.3	--

Infrared LED and Silicon Detector | Photo Transistor | SMD



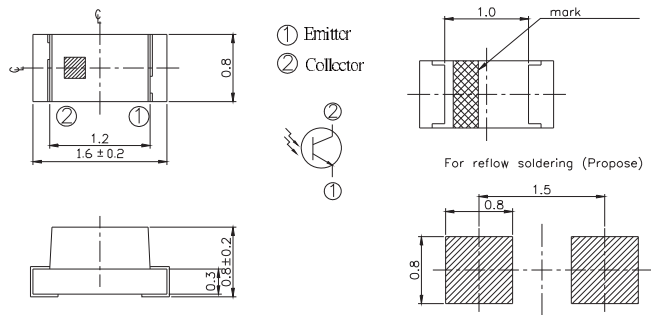
UNIT : mm



Product	Size (LxWxHmm)	λ_P (nm)	$V_{CE(SAT_Max)}$ (V)	$I_{C(ON_Min)}$ (mA)	$I_{C(ON_Typ)}$ (mA)	$I_{C(ON_Max)}$ (mA)
PT17-21B/L41/TR8	2x1.25x1.0	940	0.4	0.1	0.65	--
PT17-21C/L41/TR8	2x1.25x1.0	940	0.4	0.3	1	--



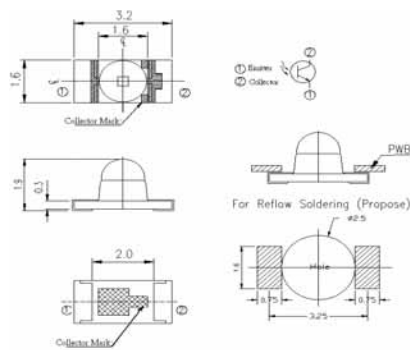
UNIT : mm



Product	Size (LxWxHmm)	λ_P (nm)	$V_{CE(SAT_Max)}$ (V)	$I_{C(ON_Min)}$ (mA)	$I_{C(ON_Typ)}$ (mA)	$I_{C(ON_Max)}$ (mA)
PT19-21B/L41/TR8	1.6x0.8x0.8	940	0.4	0.3	0.6	--
PT19-21C/L41/TR8	1.6x0.8x0.8	940	0.4	0.3	0.6	--



UNIT : mm



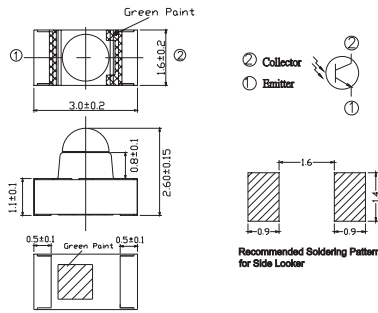
Product	Size (LxWxHmm)	λ_P (nm)	$V_{CE(SAT_Max)}$ (V)	$I_{C(ON_Min)}$ (mA)	$I_{C(ON_Typ)}$ (mA)	$I_{C(ON_Max)}$ (mA)
PT26-21B/TR8	3.2x1.6x1.9	940	0.4	--	2.6	--
PT26-21C/TR8	3.2x1.6x1.9	940	0.4	0.3	2.6	--

Infrared LED and Silicon Detector

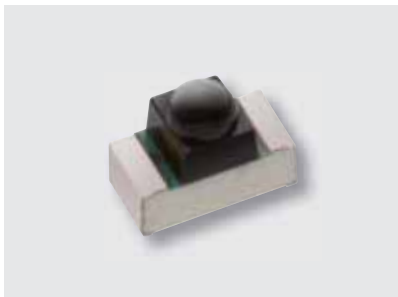
Infrared LED and Silicon Detector | Photo Transistor | SMD



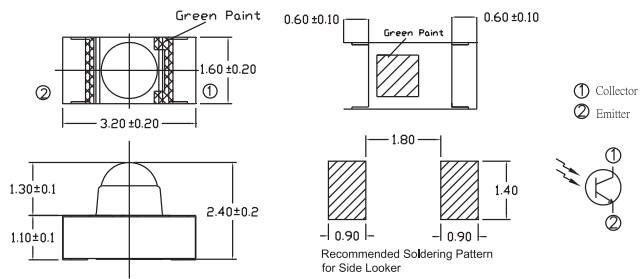
UNIT : mm



Product	Size (LxWxHmm)	λ_p (nm)	$V_{CE(SAT_Max)}$ (V)	$I_{C(ON_Min)}$ (mA)	$I_{C(ON_Typ)}$ (mA)	$I_{C(ON_Max)}$ (mA)
PT26-51B/TR8	3.0x1.6x2.6	940	0.4	--	1	--



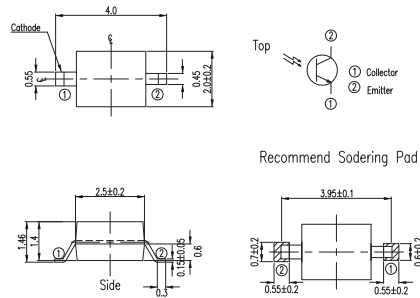
UNIT : mm



Product	Size (LxWxHmm)	λ_p (nm)	$V_{CE(SAT_Max)}$ (V)	$I_{C(ON_Min)}$ (mA)	$I_{C(ON_Typ)}$ (mA)	$I_{C(ON_Max)}$ (mA)
PT26-71B/TR8	3.2x1.6x2.4	920	0.4	1.14	3	--



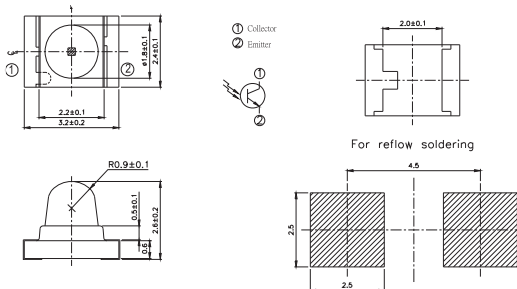
UNIT : mm



Product	Size (LxWxHmm)	λ_p (nm)	$V_{CE(SAT_Max)}$ (V)	$I_{C(ON_Min)}$ (mA)	$I_{C(ON_Typ)}$ (mA)	$I_{C(ON_Max)}$ (mA)
PT28-21B/TR8	2.5x2.0x1.4	940	0.4	0.1	0.3	-



UNIT : mm

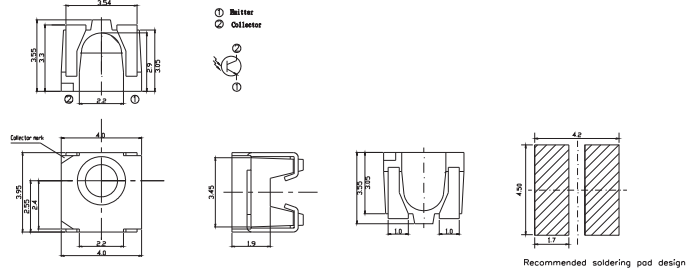


Product	Size (LxWxHmm)	λ_p (nm)	$V_{CE(SAT_Max)}$ (V)	$I_{C(ON_Min)}$ (mA)	$I_{C(ON_Typ)}$ (mA)	$I_{C(ON_Max)}$ (mA)
PT42-21B/TR8	3.2x2.4x2.6	940	0.4	1.77	3	--

Infrared LED and Silicon Detector | Photo Transistor | SMD



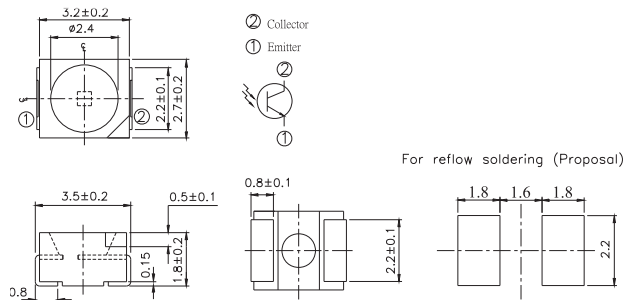
UNIT : mm



Product	Size (LxWxHmm)	λ_p (nm)	$V_{CE(SAT_Max)}$ (V)	$I_{C(ON_Min)}$ (mA)	$I_{C(ON_Typ)}$ (mA)	$I_{C(ON_Max)}$ (mA)
PT57-21B/TR8	4x3.95x3.55	940	0.4	0.4	0.8	5.0



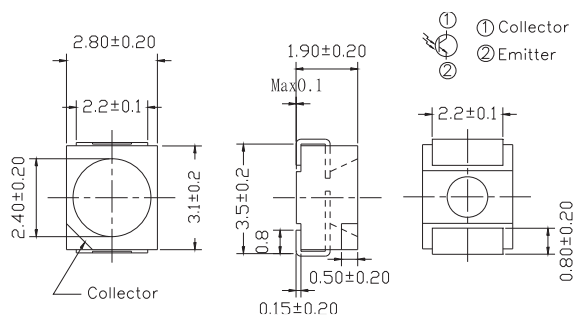
UNIT : mm



Product	Size (LxWxHmm)	λ_p (nm)	$V_{CE(SAT_Max)}$ (V)	$I_{C(ON_Min)}$ (mA)	$I_{C(ON_Typ)}$ (mA)	$I_{C(ON_Max)}$ (mA)
PT67-21B/C14/TR8	3.5x2.7x1.8	940	0.4	0.016	--	0.08



UNIT : mm

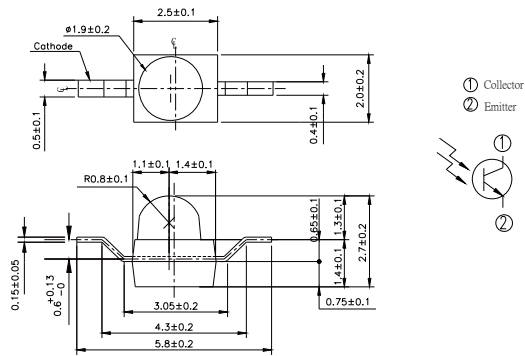


Product	Size (LxWxHmm)	λ_p (nm)	$V_{CE(SAT_Max)}$ (V)	$I_{C(ON_Min)}$ (mA)	$I_{C(ON_Typ)}$ (mA)	$I_{C(ON_Max)}$ (mA)
PT67-21C/L41/TR8	3.5x2.8x1.9	940	0.4	0.3	1	--

Infrared LED and Silicon Detector | Photo Transistor | SMD



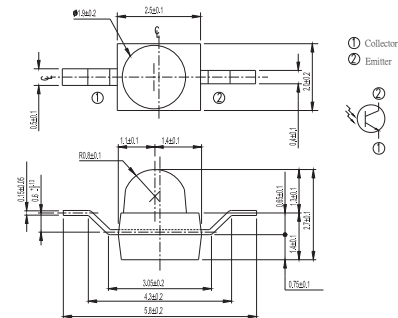
UNIT : mm



Product	Size (LxWxHmm)	λ_p (nm)	$V_{CE(SAT)}_{Max}$ (V)	$I_{C(ON)}_{Min}$ (mA)	$I_{C(ON)}_{Typ}$ (mA)	$I_{C(ON)}_{Max}$ (mA)
PT91-21B	2.5x2x2.7	940	0.4	1	3	--
PT91-21B/TR10	2.5x2x2.7	940	0.4	1	3	--
PT91-21B/TR7	2.5x2x2.7	940	0.4	1	3	--
PT91-21B/TR9	2.5x2x2.7	940	0.4	1	3	--



UNIT : mm

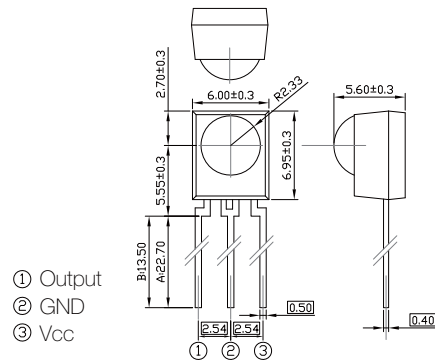


Product	Size (LxWxHmm)	λ_p (nm)	$V_{CE(SAT)}_{Max}$ (V)	$I_{C(ON)}_{Min}$ (mA)	$I_{C(ON)}_{Typ}$ (mA)	$I_{C(ON)}_{Max}$ (mA)
PT91-21C	2.5x2x2.7	940	0.4	1	1.5	--
PT91-21C/TR10	2.5x2x2.7	940	0.4	1	1.5	--
PT91-21C/TR7	2.5x2x2.7	940	0.4	1	1.5	--

Infrared Receiver Module | DIP | Vout-GND-Vcc



UNIT : mm



Infrared Receiver Module

IRM-36xx

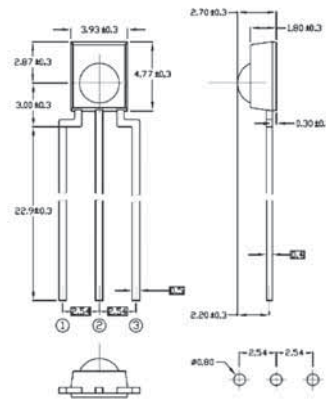
Product	Size (LxWxHmm)	λ_p (nm)	Carrier Freq. (KHz)	Supply Voltage (V)	I_{CC} Typ (mA)	L_{Center} (m)	L_{45} (m)
IRM-36xxT	8.25x6.0x5.6	940	36 / 38	2.7~5.5	0.45	14	6
IRM-36xxM	8.25x6.0x5.6	940	36 / 38	2.7~5.5	0.4	14	6
IRM-36xxM2	8.25x6.0x5.6	940	36 / 38 / 40	2.7~5.5	0.4	14	6
IRM-36xxM3	8.25x6.0x5.6	940	36 / 38 / 56	2.7~5.5	0.4	14	6
IRM-36xxM6	8.25x6.0x5.6	940	56	2.7~5.5	0.4	14	6
IRM-36xxJ2	8.25x6.0x5.6	940	36 / 38	2.7~5.5	0.4	14	6
IRM-36xxZ	8.25x6.0x5.6	940	36 / 38 / 40	2.5~5.5	0.3	14	6
IRM-36xxT-X	8.25x6.0x5.6	940	36 / 38	2.7~5.5	0.45	14	6
IRM-36xxM-X	8.25x6.0x5.6	940	36 / 38	2.7~5.5	0.4	14	6
IRM-36xxM2-X	8.25x6.0x5.6	940	36 / 38	2.7~5.5	0.4	14	6
IRM-36xxM3-X	8.25x6.0x5.6	940	36 / 38 / 56	2.7~5.5	0.4	14	6
IRM-36xxJ7-X	8.25x6.0x5.6	940	36 / 38 / 40	2.7~5.5	0.5	14	6



Infrared Receiver Module | DIP | Vout-GND-Vcc



UNIT : mm



- ① Output
- ② GND
- ③ Vcc

IRM-66xx

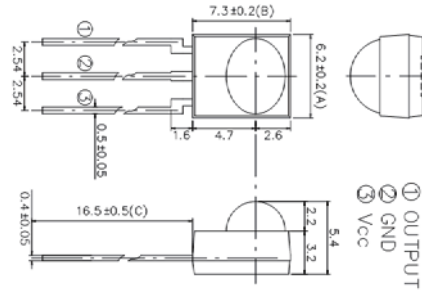
Product	Size (LxWxHmm)	λ_p (nm)	Carrier Freq. (KHz)	Supply Voltage (V)	I_{CC} Typ (mA)	L_{Center} (m)	L_{45} (m)
IRM-66xxT	5.87x3.93x2.7	940	36 / 38	2.7~5.5	1	14	6
IRM-66xxM	5.87x3.93x2.7	940	36 / 38 / 40	2.7~5.5	0.4	14	6
IRM-66xxM2	5.87x3.93x2.7	940	40	2.7~5.5	0.4	14	6
IRM-66xxM3	5.87x3.93x2.7	940	36 / 38	2.7~5.5	0.4	14	6
IRM-66xxJ	5.87x3.93x2.7	940	38	2.7~5.5	0.4	14	6
IRM-66xx	5.87x3.93x2.7	940	38	2.7~5.5	1	14	6



Infrared Receiver Module | DIP | Vout-GND-Vcc



UNIT : mm



IRM-86xx

Product	Size (LxWxHmm)	λ_p (nm)	Carrier Freq. (KHz)	Supply Voltage (V)	I_{cc} Typ (mA)	L_{Center} (m)	L_{45} (m)
IRM-86xxM2	8.9x6.2x5.4	940	38	2.7~5.5	0.4	8	5



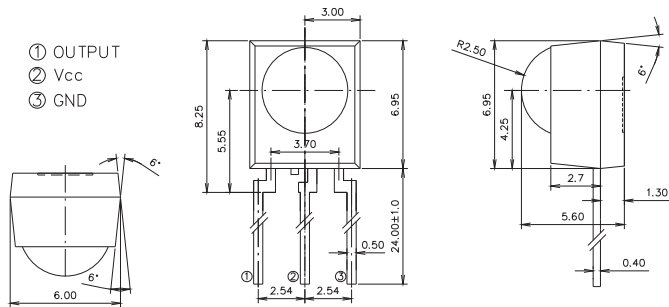
Infrared Receiver Module

Infrared Receiver Module | DIP | Vout-Vcc-GND



UNIT : mm

- ① OUTPUT
- ② Vcc
- ③ GND



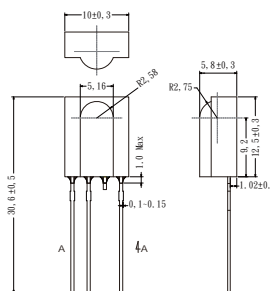
IRM-37xx

Product	Size (LxWxHmm)	λ_p (nm)	Carrier Freq. (KHz)	Supply Voltage (V)	I_{CC} Typ (mA)	L_{Center} (m)	L_{45} (m)
IRM-37xxT	8.25x6.0x5.6	940	36 / 38 / 40	2.7~5.5	0.45	14	6
IRM-37xxM	8.25x6.0x5.6	940	36 / 38	2.7~5.5	0.4	14	6
IRM-37xxM2	8.25x6.0x5.6	940	36 / 38	2.7~5.5	0.4	14	6
IRM-37xxM3	8.25x6.0x5.6	940	36 / 38 / 56	2.7~5.5	0.4	14	6
IRM-37xxZ	8.25x6.0x5.6	940	36 / 38	2.5~5.5	0.3	14	6

Infrared Receiver Module



UNIT : mm



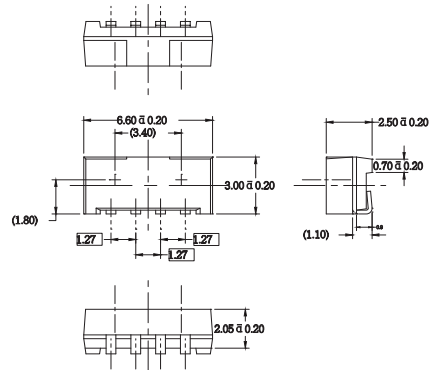
IRM-88xx

Product	Size (LxWxHmm)	λ_p (nm)	Carrier Freq. (KHz)	Supply Voltage (V)	I_{CC} Typ (mA)	L_{Center} (m)	L_{45} (m)
IRM-88xxM3	30.6x10x5.8	940	38	2.7~5.5	0.4	14	6

Infrared Receiver Module | SMD | Side -View



UNIT : mm



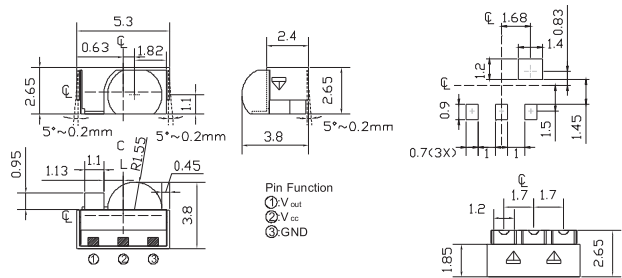
IRM-V3xx

Product	Size (LxWxHmm)	λ_p (nm)	Carrier Freq. (KHz)	Supply Voltage (V)	I_{CC} Typ (mA)	L_{Center} (m)	L_{45} (m)
IRM-V3xxM3	6.6x3x2.5	940	38	2.7~5.5	0.4	8	5

Infrared Receiver Module



UNIT : mm



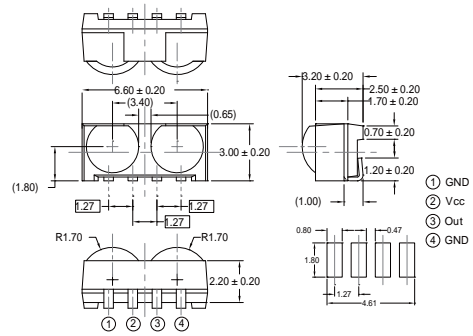
IRM-V5xx

Product	Size (LxWxHmm)	λ_p (nm)	Carrier Freq. (KHz)	Supply Voltage (V)	I_{CC} Typ (mA)	L_{Center} (m)	L_{45} (m)
IRM-V5xxT	5.3x3.8x2.65	940	38	2.7~5.5	0.4	8	5
IRM-V5xxM	5.3x3.8x2.65	940	36 / 38	2.7~5.5	0.4	8	5
IRM-V5xxM2	5.3x3.8x2.65	940	36 / 38 / 40	2.7~5.5	0.4	8	5
IRM-V5xxM3	5.3x3.8x2.65	940	36 / 38	2.7~5.5	0.4	8	5
IRM-V5xxJ2	5.3x3.8x2.65	940	40	2.7~5.5	0.53	8	5

Infrared Receiver Module | SMD | Side -View



UNIT : mm

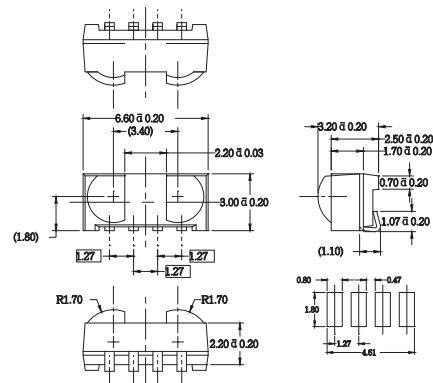


IRM-V8xx

Product	Size (LxWxHmm)	λ_p (nm)	Carrier Freq. (KHz)	Supply Voltage (V)	I_{cc} Typ (mA)	L_{Center} (m)	L_{45} (m)
IRM-V8xxT	6.6x3x3.2	940	36 / 38	2.7~5.5	0.45	8	5
IRM-V8xxM	6.6x3x3.2	940	36 / 38	2.7~5.5	0.4	8	5
IRM-V8xxM2	6.6x3x3.2	940	38	2.7~5.5	0.4	8	5
IRM-V8xxM3	6.6x3x3.2	940	36 / 38 / 56	2.7~5.5	0.4	8	5
IRM-V8xxJ	6.6x3x3.2	940	36 / 38	2.7~5.5	1	8	5
IRM-V8xxJ2	6.6x3x3.2	940	36 / 38	2.7~5.5	0.9	8	5



UNIT : mm



IRM-V8xx-C

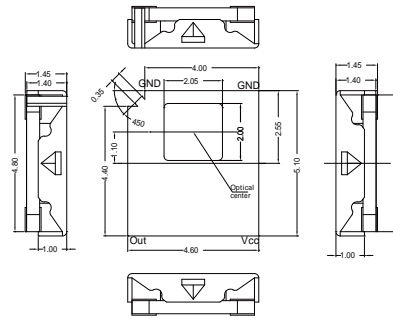
Product	Size (LxWxHmm)	λ_p (nm)	Carrier Freq. (KHz)	Supply Voltage (V)	I_{cc} Typ (mA)	L_{Center} (m)	L_{45} (m)
IRM-V8xxM3-C	6.6x3x3.2	940	38	2.7~5.5	0.4	8	5

Infrared Receiver Module

Infrared Receiver Module | SMD | Top -View



UNIT : mm



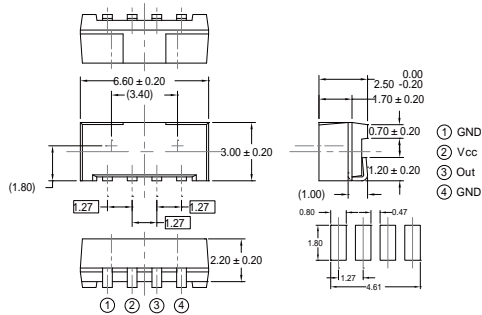
IRM-H2xx

Product	Size (LxWxHmm)	λ_p (nm)	Carrier Freq. (KHz)	Supply Voltage (V)	I_{CC} Typ (mA)	L_{Center} (m)	L_{45} (m)
IRM-H2xxT	5.1x4.6x1.45	940	36 / 38	2.7~5.5	0.4	8	5
IRM-H2xxM2	5.1x4.6x1.45	940	36 / 38 / 40	2.7~5.5	0.4	8	5
IRM-H2xxM3	5.1x4.6x1.45	940	36 / 38	2.7~5.5	0.4	8	5
IRM-H2xxZ	5.1x4.6x1.45	940	38	2.0~5.5	0.22	8	5

Infrared Receiver Module



UNIT : mm



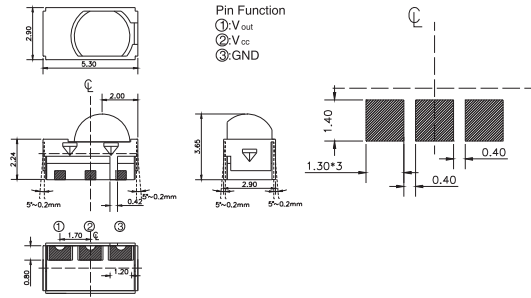
IRM-H3xx

Product	Size (LxWxHmm)	λ_p (nm)	Carrier Freq. (KHz)	Supply Voltage (V)	I_{CC} Typ (mA)	L_{Center} (m)	L_{45} (m)
IRM-H3xxM3	6.6x3x2.5	940	36 / 38	2.7~5.5	0.4	8	5
IRM-H3xxJ	6.6x3x2.5	940	38	2.7~5.5	1	8	5

Infrared Receiver Module | SMD | Top -View



UNIT : mm



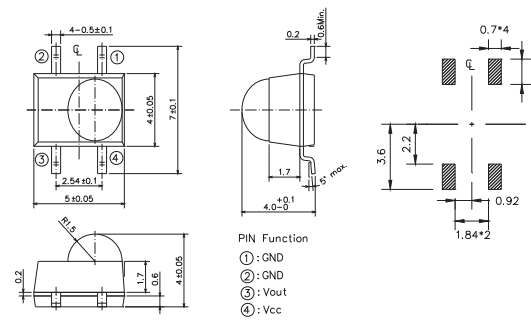
IRM-H5xx

Product	Size (LxWxHmm)	λ_p (nm)	Carrier Freq. (KHz)	Supply Voltage (V)	I _{CC} Typ (mA)	L _{Center} (m)	L ₄₅ (m)
IRM-H5xxT	5.3x2.9x3.65	940	38	2.7~5.5	0.4	8	5
IRM-H5xxM	5.3x2.9x3.65	940	38	2.7~5.5	0.4	8	5
IRM-H5xxM3	5.3x2.9x3.65	940	36 / 38	2.7~5.5	0.4	8	5

Infrared Receiver Module



UNIT : mm



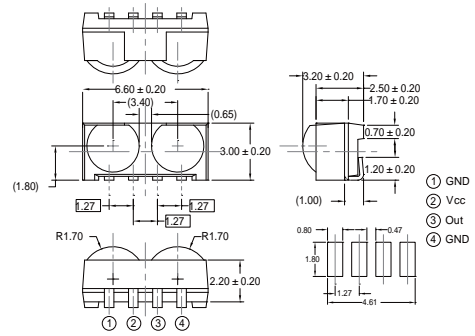
IRM-H6xx

Product	Size (LxWxHmm)	λ_p (nm)	Carrier Freq. (KHz)	Supply Voltage (V)	I _{CC} Typ (mA)	L _{Center} (m)	L ₄₅ (m)
IRM-H6xxT	5x4x4	940	38	2.7~5.5	1	8	5
IRM-H6xxM	5x4x4	940	36 / 38	2.7~5.5	0.4	8	5
IRM-H6xxM3	5x4x4	940	36 / 38	2.7~5.5	0.4	8	5
IRM-H6xxJ7	5x4x4	940	36 / 38 / 40	2.7~5.5	0.5	8	5

Infrared Receiver Module | SMD | Top -View



UNIT : mm



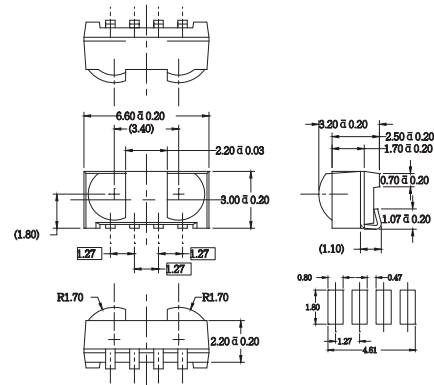
IRM-H8xx

Product	Size (LxWxHmm)	λ_p (nm)	Carrier Freq. (KHz)	Supply Voltage (V)	I_{CC} Typ (mA)	L_{Center} (m)	L_{45} (m)
IRM-H8xxM	6.6x3x3.2	940	36 / 38	2.7~5.5	0.4	8	5
IRM-H8xxM3	6.6x3x3.2	940	36 / 38 / 56	2.7~5.5	0.4	8	5
IRM-H8xxJ	6.6x3x3.2	940	36 / 38	2.7~5.5	1	8	5

Infrared Receiver Module



UNIT : mm



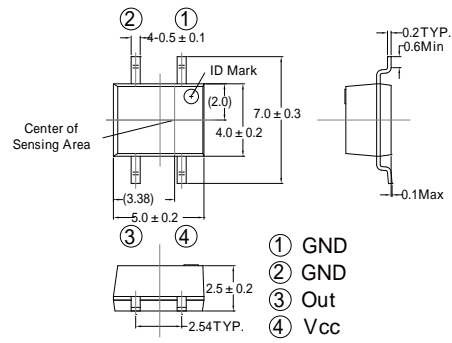
IRM-H8xx-C

Product	Size (LxWxHmm)	λ_p (nm)	Carrier Freq. (KHz)	Supply Voltage (V)	I_{CC} Typ (mA)	L_{Center} (m)	L_{45} (m)
IRM-H8xxM3-C	6.6x3x3.2	940	36 / 38	2.7~5.5	0.4	8	5
IRM-H8xxZ-C	6.6x3x3.2	940	38	2.0~5.5	0.3	8	5

Infrared Receiver Module | Standard Burst | SMD



UNIT : mm



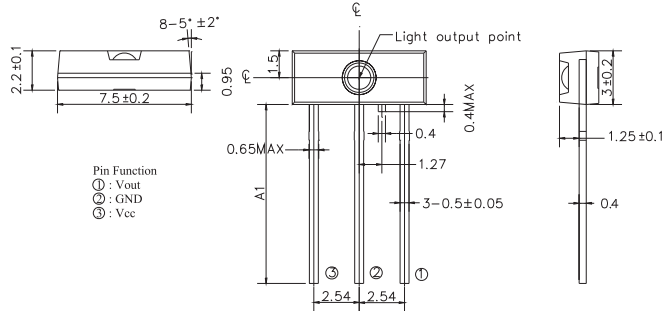
IRM-H9xx

Product	Size (LxWxHmm)	λ_p (nm)	Carrier Freq. (KHz)	Supply Voltage (V)	I_{CC} Typ (mA)	L_{Center} (m)	L_{45} (m)
IRM-H9xxT	5x4x2.5	940	36 / 38 / 40	2.7~5.5	0.4	8	5
IRM-H9xxM3	5x4x2.5	940	36 / 38	2.7~5.5	0.4	8	5

Optic-Fiber Device (Photo Link) | Receiver (PLR) Component



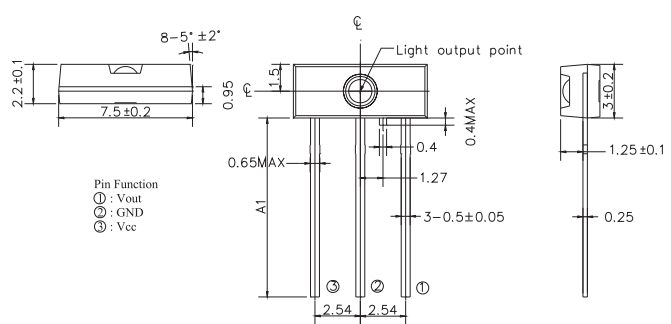
UNIT : mm



Product	Size (LxWxHmm)	Fiber Coupling Receiver Power_ Max (dBm)	Fiber Coupling Receiver Power_ Min (dBm)	Operation Voltage (V)	Plastic Holder	Trans - mission Speed (Mb/s)	L/F Thicknes (mm)
PLR135	7.5x3x2.2	-14	-27	2.4~5.5	None	16	0.4
PLR233	7.5x3x2.2	-14	-27	2.4~5.5	None	25	0.4



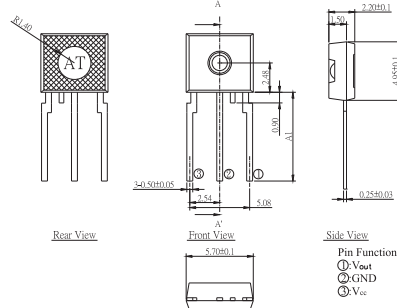
UNIT : mm



Product	Size (LxWxHmm)	Fiber Coupling Receiver Power_ Max (dBm)	Fiber Coupling Receiver Power_ Min (dBm)	Operation Voltage (V)	Plastic Holder	Trans - mission Speed (Mb/s)	L/F Thicknes (mm)
PLR137	7.5x3x2.2	-14	-27	2.4~5.5	None	16	0.25
PLR237	7.5x3x2.2	-14	-27	2.4~5.5	None	25	0.25



UNIT : mm



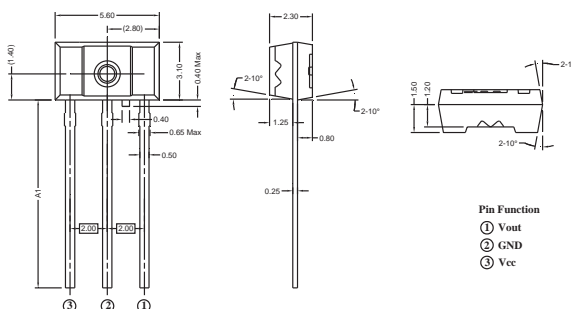
Product	Size (LxWxHmm)	Fiber Coupling Receiver Power_ Max (dBm)	Fiber Coupling Receiver Power_ Min (dBm)	Operation Voltage (V)	Plastic Holder	Trans - mission Speed (Mb/s)	L/F Thicknes (mm)
PLR155	5.7x4.95x2.2	-14	-27	2.4~5.5	None	16	0.25
PLR253	5.7x4.95x2.2	-14	-27	2.4~5.5	None	25	0.25

Optic-Fiber Device (Photo Link)

Optic-Fiber Device (Photo Link) | Receiver (PLR) Component



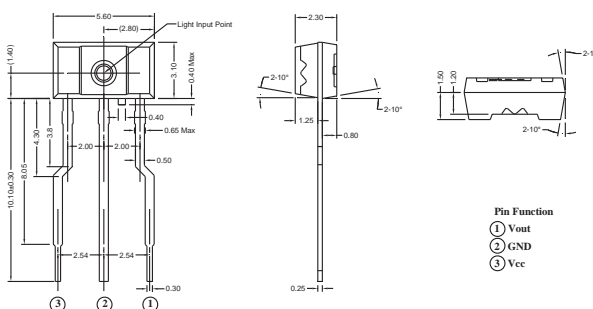
UNIT : mm



Product	Size (LxWxHmm)	Fiber Coupling Receiver Power_ Max (dBm)	Fiber Coupling Receiver Power_ Min (dBm)	Operation Voltage (V)	Plastic Holder	Trans - mission Speed (Mb/s)	L/F Thicknes (mm)
PLR162	5.6x3.1x2.3	-14	-27	2.4~5.5	None	16	0.25
PLR262	5.6x3.1x2.3	-14	-27	2.4~5.5	None	25	0.25



UNIT : mm



Product	Size (LxWxHmm)	Fiber Coupling Receiver Power_ Max (dBm)	Fiber Coupling Receiver Power_ Min (dBm)	Operation Voltage (V)	Plastic Holder	Trans - mission Speed (Mb/s)	L/F Thicknes (mm)
PLR162M	5.6x3.1x2.3	-14	-27	2.4~5.5	None	16	0.25

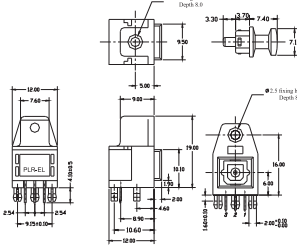
Optic-Fiber Device (Photo Link)

Optic-Fiber Device (Photo Link) | Receiver (PLR) Module

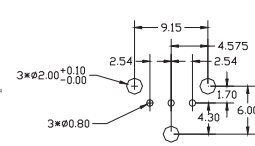


UNIT : mm

Package Dimensions



PCB Layout for Electrical Circuit



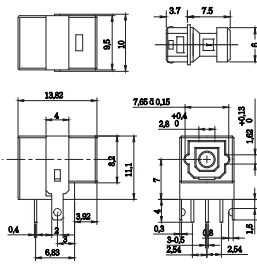
Notice:
1. Unit:mm
2. PCB tolerance:1.6mm

Notes: 1. All dimensions are in millimeters.
±0.3mm
Pin Function: 1.Vout
2.GND
3.Vcc

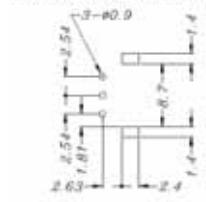
Product	Size (LxWxHmm)	Fiber Coupling Receiver Power_ Max (dBm)	Fiber Coupling Receiver Power_ Min (dBm)	Operation Voltage (V)	Plastic Holder	Trans - mission Speed (Mb/s)	L/F Thicknes (mm)
PLR135/T2	12.0x14.0x19.0	-14	-27	2.4~5.5	Yes	16	0.4



UNIT : mm



PCB Layout for Electrical Circuit



PIN FUNCTION
PLR135/T7
1.Vcc
2.GND
3.Vout
4.NC(No Connect)
5.NC(No Connect)

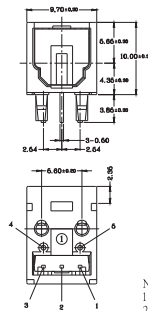
NOTICE:
1.All dimensions are in mm.
2.Unspecified tolerance is ±0.30mm.

Notice:
1. Unit:mm
2. PCB tolerance:1.6mm

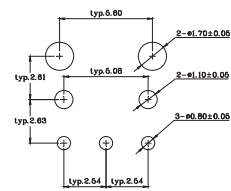
Product	Size (LxWxHmm)	Fiber Coupling Receiver Power_ Max (dBm)	Fiber Coupling Receiver Power_ Min (dBm)	Operation Voltage (V)	Plastic Holder	Trans - mission Speed (Mb/s)	L/F Thicknes (mm)
PLR135/T7	10.0x13.82x11.1	-14	-27	2.4~5.5	Yes	16	0.4



UNIT : mm



PCB Layout for Electrical Circuit



Pin Function:
1. Vout
2. GND
3. Vcc
4. NC
5. NC
NOTICE
1.All dimensions are in mm
2.Unspecified tolerance is ±0.30mm

Notice:
1. Unit:mm
2. PCB tolerance:1.6mm

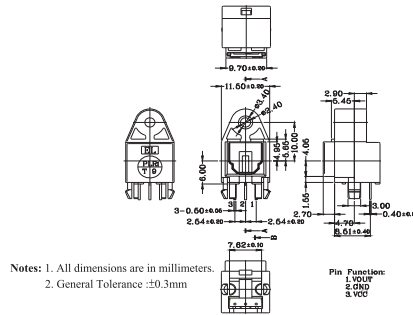
Product	Size (LxWxHmm)	Fiber Coupling Receiver Power_ Max (dBm)	Fiber Coupling Receiver Power_ Min (dBm)	Operation Voltage (V)	Plastic Holder	Trans - mission Speed (Mb/s)	L/F Thicknes (mm)
PLR135/T8	9.7x13.5x10	-14	-27	2.4~5.5	Yes	16	0.4

Optic-Fiber Device (Photo Link)

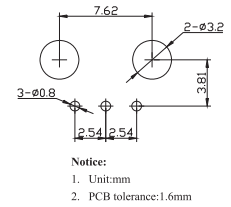
Optic-Fiber Device (Photo Link) | Receiver (PLR) Module



UNIT : mm



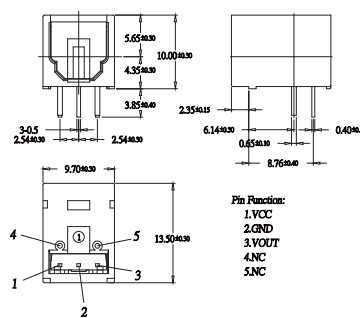
PCB Layout for Electrical Circuit



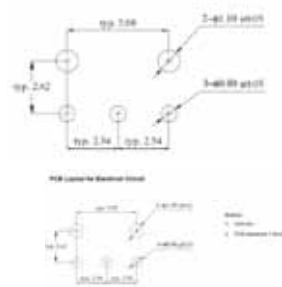
Product	Size (LxWxHmm)	Fiber Coupling Receiver Power_ Max (dBm)	Fiber Coupling Receiver Power_ Min (dBm)	Operation Voltage (V)	Plastic Holder	Trans - mission Speed (Mb/s)	L/F Thicknes (mm)
PLR135/T9	11.5x14x20	-14	-27	2.4~5.5	Yes	16	0.4



UNIT : mm



PCB Layout for Electrical Circuit



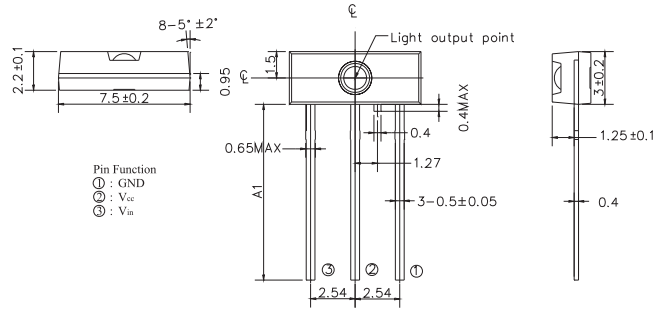
Product	Size (LxWxHmm)	Fiber Coupling Receiver Power_ Max (dBm)	Fiber Coupling Receiver Power_ Min (dBm)	Operation Voltage (V)	Plastic Holder	Trans - mission Speed (Mb/s)	L/F Thicknes (mm)
PLR135/T10	9.7x13.5x10.0	-14	-27	2.4~5.5	Yes	16	0.4

Optic-Fiber Device (Photo Link)

Optic-Fiber Device (Photo Link) | Transmitter (PLT) Component



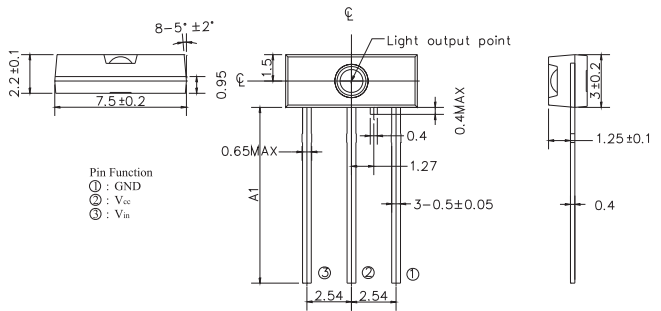
UNIT : mm



Product	Size (LxWxHmm)	Fiber Coupling Output Power_Max (dBm)	Fiber Coupling Output Power_Min (dBm)	Operation Voltage (V)	Plastic Holder	Trans - mission Speed (Mb/s)	L/F Thicknes (mm)
PLT132	7.5x3x2.2	-15	-21	3~5	None	16	0.4
PLT232/L5	7.5x3x2.2	-15	-21	3~5	None	25	0.4



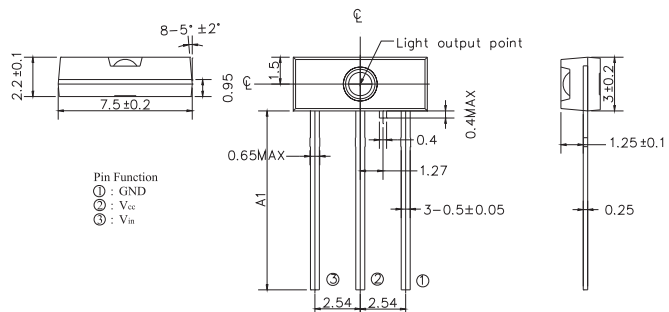
UNIT : mm



Product	Size (LxWxHmm)	Fiber Coupling Output Power_Max (dBm)	Fiber Coupling Output Power_Min (dBm)	Operation Voltage (V)	Plastic Holder	Trans - mission Speed (Mb/s)	L/F Thicknes (mm)
PLT133	7.5x3x2.2	-15	-21	3~5	None	16	0.4



UNIT : mm



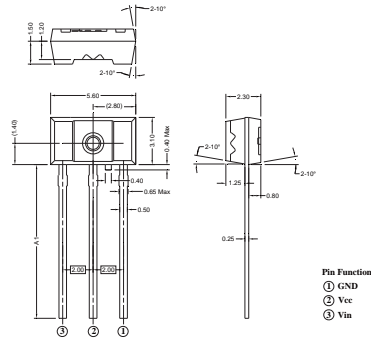
Product	Size (LxWxHmm)	Fiber Coupling Output Power_Max (dBm)	Fiber Coupling Output Power_Min (dBm)	Operation Voltage (V)	Plastic Holder	Trans - mission Speed (Mb/s)	L/F Thicknes (mm)
PLT137	7.5x3x2.2	-15	-21	3~5	None	16	0.25
PLT237	7.5x3x2.2	-15	-21	3~5	None	25	0.25

Optic-Fiber Device (Photo Link)

Optic-Fiber Device (Photo Link) | Transmitter (PLT) Component



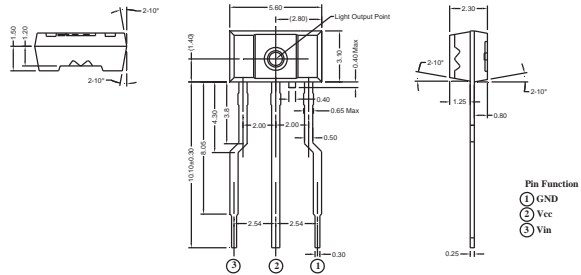
UNIT : mm



Product	Size (LxWxHmm)	Fiber Coupling Output Power_Max (dBm)	Fiber Coupling Output Power_Min (dBm)	Operation Voltage (V)	Plastic Holder	Trans - mission Speed (Mb/s)	L/F Thicknes (mm)
PLT262	5.6x3.1x2.3	-15	-21	3~5	None	25	0.25



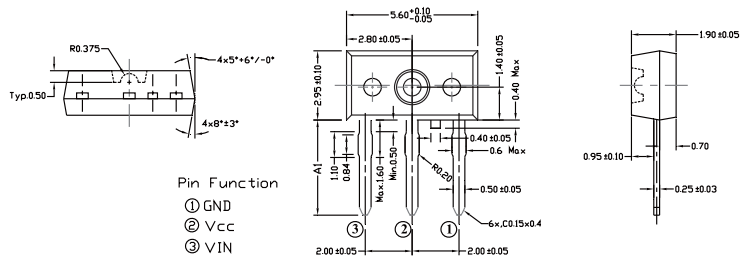
UNIT : mm



Product	Size (LxWxHmm)	Fiber Coupling Output Power_Max (dBm)	Fiber Coupling Output Power_Min (dBm)	Operation Voltage (V)	Plastic Holder	Trans - mission Speed (Mb/s)	L/F Thicknes (mm)
PLT262M	5.6x3.1x2.3	-15	-21	3~5	None	25	0.25



UNIT : mm



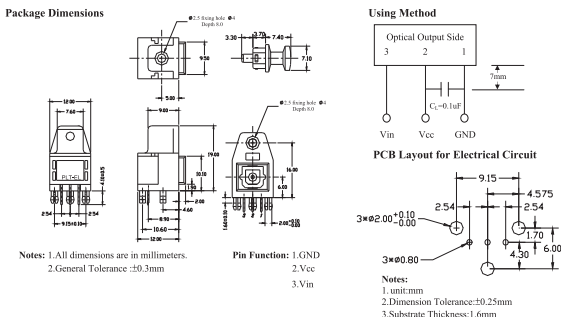
Product	Size (LxWxHmm)	Fiber Coupling Output Power_Max (dBm)	Fiber Coupling Output Power_Min (dBm)	Operation Voltage (V)	Plastic Holder	Trans - mission Speed (Mb/s)	L/F Thicknes (mm)
PLT272/L5	5.6x2.95x1.9	-15	-21	3~5	None	25	0.25

Optic-Fiber Device (Photo Link)

Optic-Fiber Device (Photo Link) | Transmitter (PLT) Module



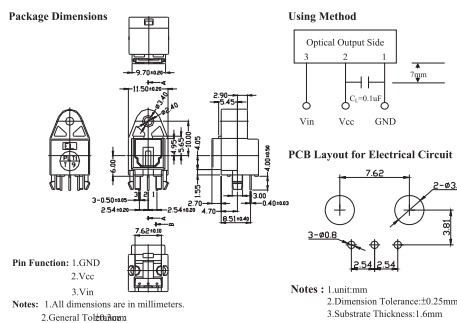
UNIT : mm



Product	Size (LxWxHmm)	Fiber Coupling Output Power_Max (dBm)	Fiber Coupling Output Power_Min (dBm)	Operation Voltage (V)	Plastic Holder	Trans - mission Speed (Mb/s)	L/F Thicknes (mm)
PLT133/T2	12.0x14.0x19.0	-15	-21	3~5	Yes	16	0.4



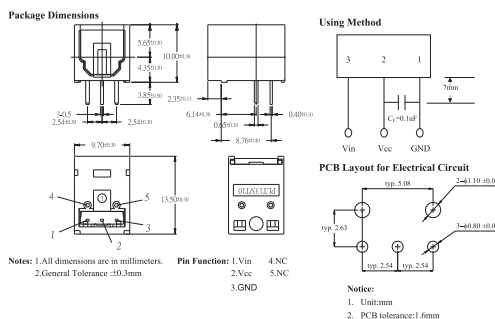
UNIT : mm



Product	Size (LxWxHmm)	Fiber Coupling Output Power_Max (dBm)	Fiber Coupling Output Power_Min (dBm)	Operation Voltage (V)	Plastic Holder	Trans - mission Speed (Mb/s)	L/F Thicknes (mm)
PLT133/T9	11.5x13.5x20	-15	-21	3~5	Yes	16	0.4



UNIT : mm



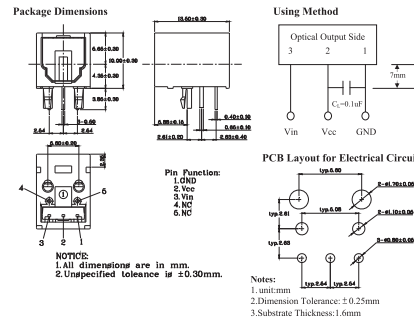
Product	Size (LxWxHmm)	Fiber Coupling Output Power_Max (dBm)	Fiber Coupling Output Power_Min (dBm)	Operation Voltage (V)	Plastic Holder	Trans - mission Speed (Mb/s)	L/F Thicknes (mm)
PLT133/T10B	9.7x13.5x10.0	-15	-21	3~5	Yes	16	0.4
PLT133/T10W	9.7x13.5x10.0	-15	-21	3~5	Yes	16	0.4

Optic-Fiber Device (Photo Link)

Optic-Fiber Device (Photo Link) | Transmitter (PLT) Module



UNIT : mm



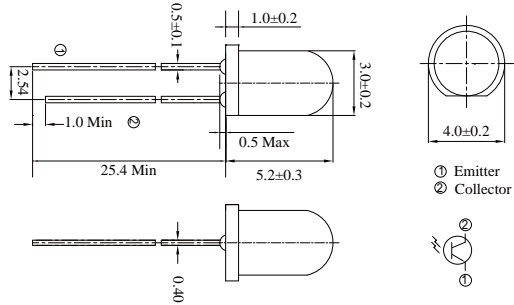
Product	Size (LxWxHmm)	Fiber Coupling Output Power_Max (dBm)	Fiber Coupling Output Power_Min (dBm)	Operation Voltage (V)	Plastic Holder	Trans - mission Speed (Mb/s)	L/F Thicknes (mm)
PLT133/T8B	9.7x13.5x10	-15	-21	3~5	Yes	16	0.4

Optic-Fiber Device (Photo Link)

Optical Sensors | Ambient Light Sensor | Analog



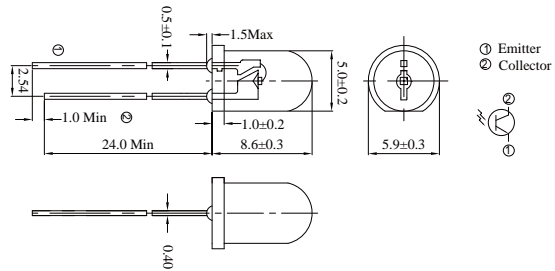
UNIT : mm



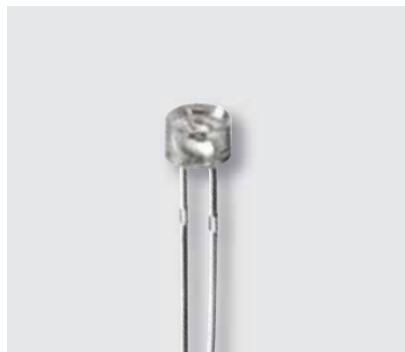
Product	Size (mm)	Supply Voltage (V)	Sensitivity λ _p (nm)	Range λ (nm)	Light current (uA) Ev=100lux	I _{D_Max} (μA)	Rise / Fall Time (μs)
ALS-PT204-6C/L177	3	2.5~5.5	630	370~670	15~100	0.1	110 / 120



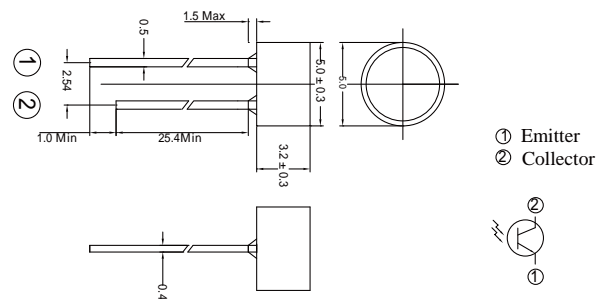
UNIT : mm



Product	Size (mm)	Supply Voltage (V)	Sensitivity λ _p (nm)	Range λ (nm)	Light current (uA) Ev=100lux	I _{D_Max} (μA)	Rise / Fall Time (μs)
ALS-PT333-3C/L177	5	2.5~5.5	560	390~700	90~160	0.1	80 / 90



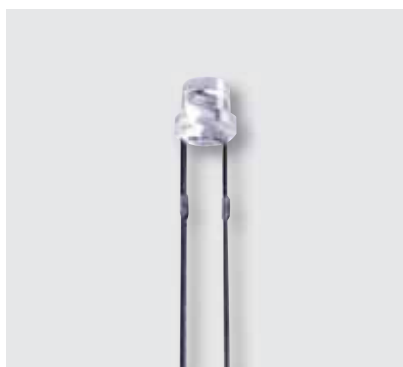
UNIT : mm



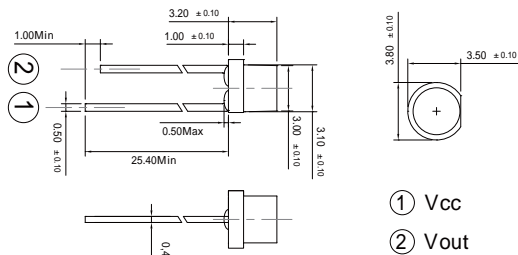
Product	Size (mm)	Supply Voltage (V)	Sensitivity λ _p (nm)	Range λ (nm)	Light current (uA) Ev=100lux	I _{D_Max} (μA)	Rise / Fall Time (μs)
ALS-PT243-3C/L177	5	2.5~5.5	630	390~700	min. 7uA	0.1	110 / 220

Optical Sensors

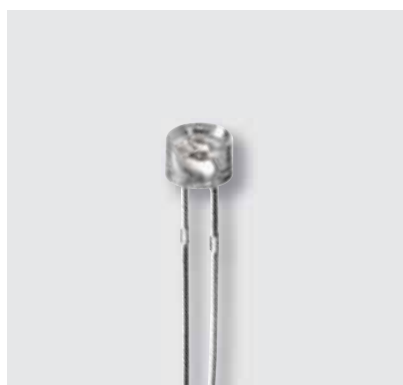
Optical Sensors | Ambient Light Sensor | Analog



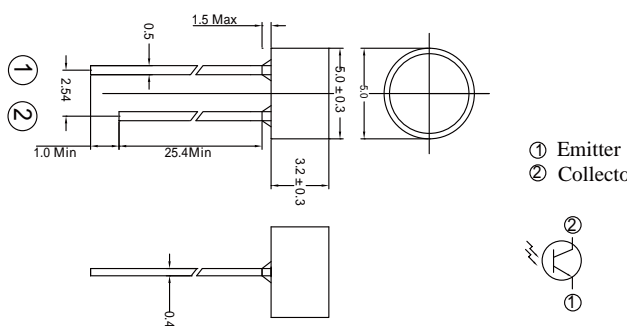
UNIT : mm



Product	Size (mm)	Supply Voltage (V)	Sensitivity λ _p (nm)	Range λ (nm)	Light current (uA) Ev=100lux	I _{D_Max} (μA)	Rise / Fall Time (μs)
ALS-PDIC144-6C/L378	3	1.8~5.5	550	390~700	22~44	0.1	360 / 1130



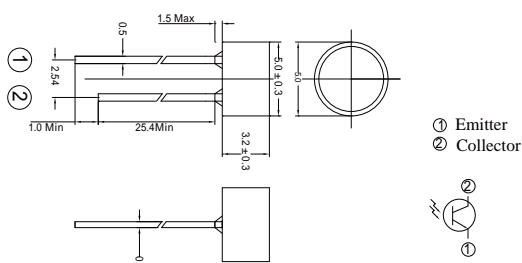
UNIT : mm



Product	Size (mm)	Supply Voltage (V)	Sensitivity λ _p (nm)	Range λ (nm)	Light current (uA) Ev=100lux	I _{D_Max} (μA)	Rise / Fall Time (μs)
ALS-PDIC243-3C	5	1.8~5.5	560	390~700	24~48	0.1	360 / 1130



UNIT : mm

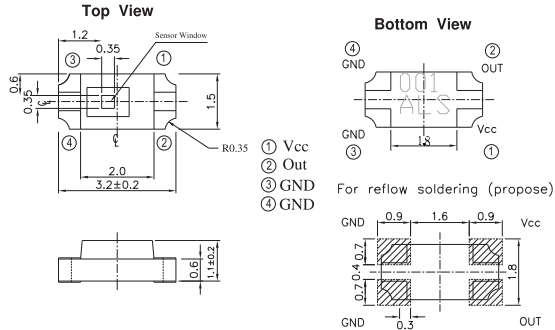


Product	Size (mm)	Supply Voltage (V)	Sensitivity λ _p (nm)	Range λ (nm)	Light current (uA) Ev=100lux	I _{D_Max} (μA)	Rise / Fall Time (μs)
ALS-PDIC243-3B	5	1.8~5.5	560	390~700	10~35	0.1	360 / 1130
ALS-PDIC243-3B/L525	5	1.8~5.5	560	390~700	5~15	0.1	360 / 1130

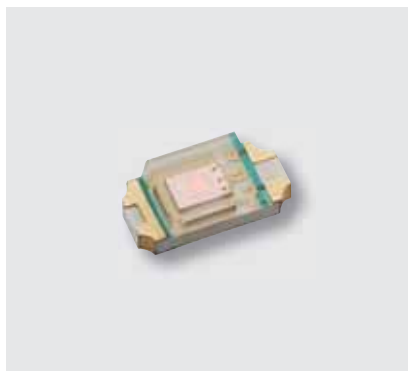
Optical Sensors | Ambient Light Sensor | Analog



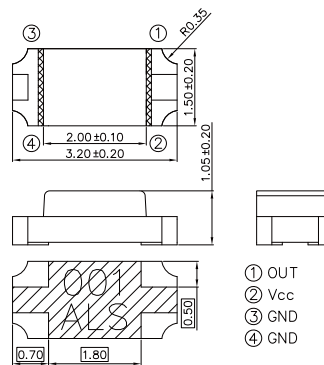
UNIT : mm



Product	Size (LxWxHmm)	Supply Voltage (V)	Sensitivity λ_P (nm)	Range λ (nm)	Light current (uA) $E_v=100\text{lux}$	I_{D_Max} (μA)	Rise / Fall Time (μs)
ALS-PDIC15-21B/TR8	3.2x1.5x1.1	1.8-5.5	550	390-700	5-10	0.1	360 / 1130



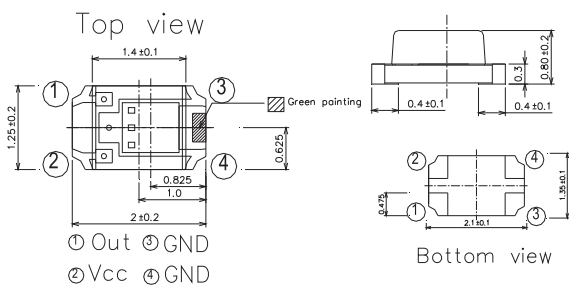
UNIT : mm



Product	Size (LxWxHmm)	Supply Voltage (V)	Sensitivity λ_P (nm)	Range λ (nm)	Light current (uA) $E_v=100\text{lux}$	I_{D_Max} (μA)	Rise / Fall Time (μs)
ALS-PDIC15-21C/L230/TR8	3.2x1.5x1.1	2.5-5.5	590	390-700	36-95	0.1	360 / 1130



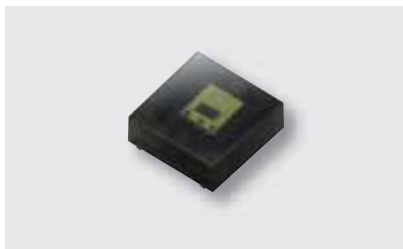
UNIT : mm



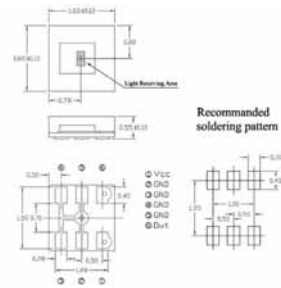
Product	Size (LxWxHmm)	Supply Voltage (V)	Sensitivity λ_P (nm)	Range λ (nm)	Light current (uA) $E_v=100\text{lux}$	I_{D_Max} (μA)	Rise / Fall Time (μs)
ALS-PDIC17-55C/TR8	2x1.25x0.8	1.8-5.5	590	390-700	27-54	0.1	360 / 1130

Optical Sensors

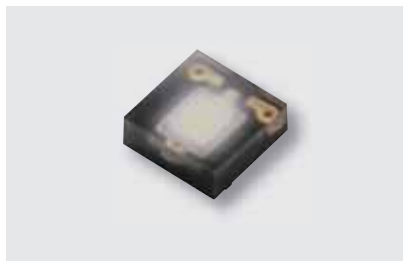
Optical Sensors | Ambient Light Sensor | Analog



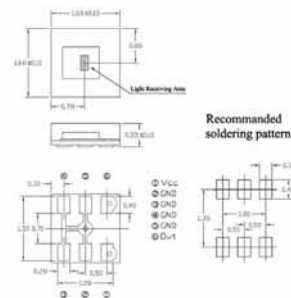
UNIT : mm



Product	Size (LxWxHmm)	Supply Voltage (V)	Sensitivity λ_p (nm)	Range λ (nm)	Light current (uA) Ev=100lux	I _{D_Max} (μA)	Rise / Fall Time (μs)
ALS-PDIC17-77B/TR8	1.6x1.6x0.55	1.8~5.5	550	390~700	40~80	0.1	75 / 200



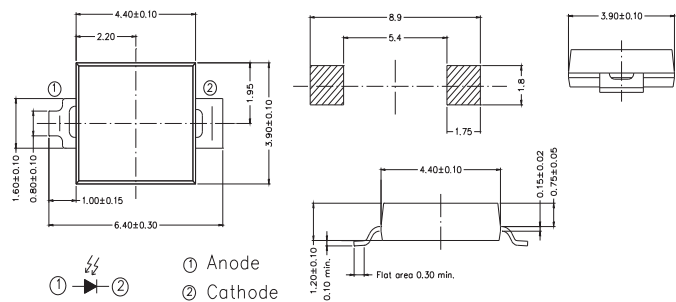
UNIT : mm



Product	Size (LxWxHmm)	Supply Voltage (V)	Sensitivity λ_p (nm)	Range λ (nm)	Light current (uA) Ev=100lux	I _{D_Max} (μA)	Rise / Fall Time (μs)
ALS-PDIC17-77C/TR8	1.6x1.6x0.55	1.8~5.5	550	390~700	27~54	0.1	360 / 1130

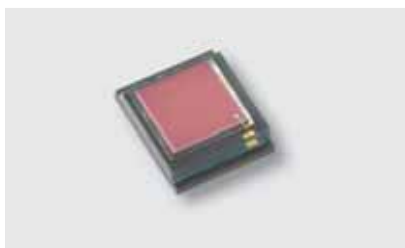


UNIT : mm

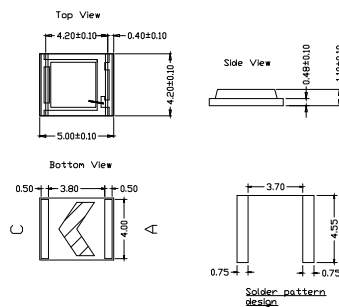


Product	Size (LxWxHmm)	Supply Voltage (V)	Sensitivity λ_p (nm)	Range λ (nm)	Light current (uA) Ev=100lux	I _{D_Max} (μA)	Rise / Fall Time (μs)
ALS-PD70-01C/TR7	4.4x3.9x1.2	2.5~5.5	630	390~700	1.1	0.01	-- / --
ALS-PD70-01C/L664/TR7	4.4x3.9x1.2	2.5~5.5	540	400~640	0.25	0.01	-- / --

Optical Sensors | Ambient Light Sensor | Analog



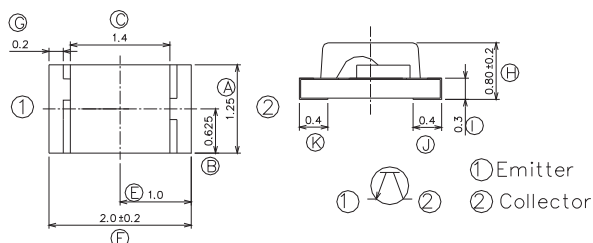
UNIT : mm



Product	Size (LxWxHmm)	Supply Voltage (V)	Sensitivity λ _p (nm)	Range λ (nm)	Light current (uA) Ev=100lux	I _{D_Max} (μA)	Rise / Fall Time (μs)
ALS-PD50-42C/TR8	5.0x4.2x1.1	2.5~5.5	550	400~650	0.8	0.03	-- / --



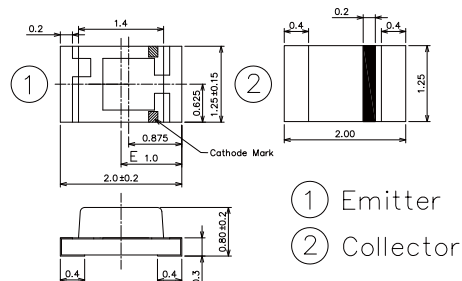
UNIT : mm



Product	Size (LxWxHmm)	Supply Voltage (V)	Sensitivity λ _p (nm)	Range λ (nm)	Light current (uA) Ev=100lux	I _{D_Max} (μA)	Rise / Fall Time (μs)
ALS-PT17-51C/L177/TR8	2.00x1.25x0.80	2.5~5.5	630	390~700	4~11	0.1	110 / 220



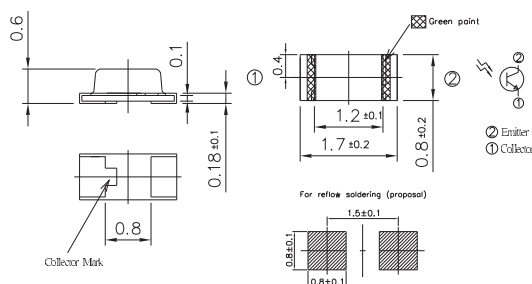
UNIT : mm



Product	Size (LxWxHmm)	Supply Voltage (V)	Sensitivity λ _p (nm)	Range λ (nm)	Light current (uA) Ev=50lux	I _{D_Max} (μA)	Rise / Fall Time (μs)
ALS-PT17-51NB/L369/TR8	2.00x1.25x0.80	1.8~5.5	580	400~700	3.5~7	0.1	130 / 150



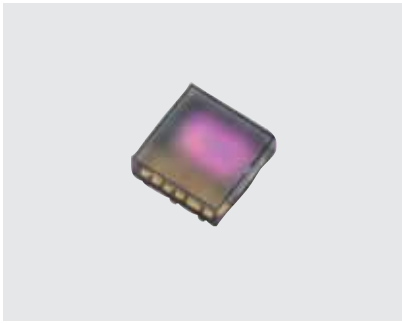
UNIT : mm



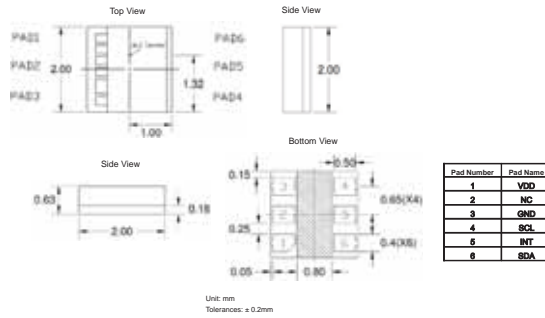
Product	Size (LxWxHmm)	Supply Voltage (V)	Sensitivity λ _p (nm)	Range λ (nm)	Light current (uA) Ev=100lux	I _{D_Max} (μA)	Rise / Fall Time (μs)
ALS-PT19-315C/L177/TR8	1.7x0.8x0.8	2.5~5.5	630	390~700	min. 5uA	0.1	110 / 220

Optical Sensors

Optical Sensors | Ambient Light Sensor | Digital



UNIT : mm

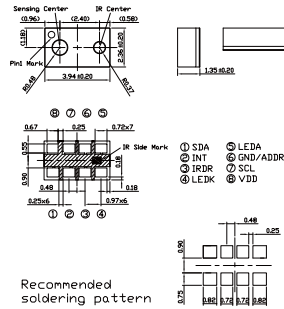


Product	Size (LxWxHmm)	Supply Voltage (V)	Maximum Detection (lux)	Range λ (nm)	Lux Resolution (lux)	ADC Resolution
ALS-DPIC17-78C/L749/TR8	2.00 x 2.00 x 0.63	2.4 ~ 3.6	83,000	550	0.0033	10~16 bit

Optical Sensors | Proximity Sensor | Digital



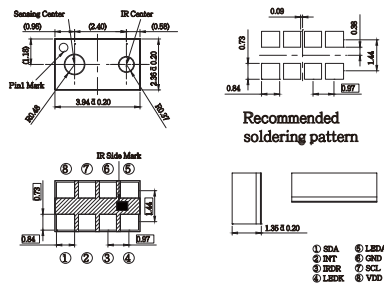
UNIT : mm



Product	Size (LxWxHmm)	Supply Voltage (V)	Supply Current (uA)	Features			
				Function	ADC resolution	Detection range	Emitting wavelength (nm)
APM-12D23-20-DF8/TR8	3.94x2.36x1.35	2.3~3.6V	DD_ALS = 80 DD_PS = 90 without I_LED DD_OFF = 0.1	Ambient light sensing Proximity Sensing IR emitter embedded	12 bit 8 bit	0.012~800 lux up to 10 cm	850nm
PM-8D23-20-DF8/TR8	3.94x2.36x1.35	2.3~3.6V	DD_PS = 85 without I_LED DD_OFF = 0.01	Proximity Sensing IR emitter embedded	8 bit	up to 10 cm	850nm

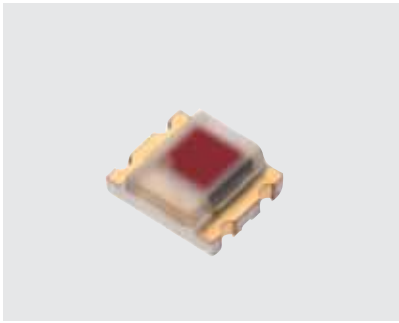


UNIT : mm

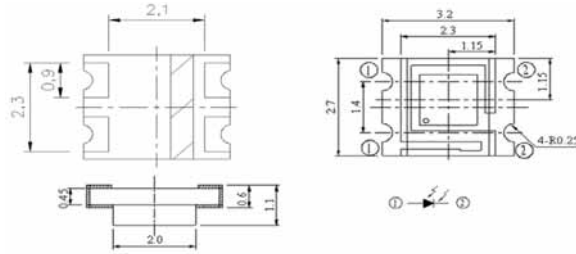


Product	Size (LxWxHmm)	Supply Voltage (V)	Supply Current (uA)	Features			
				Function	ADC resolution	Detection range	Emitting wavelength (nm)
APM-16D18-00-DF8/TR8	3.94x2.36x1.35	1.7~3.5V	DD_ALS = 130 DD_PS = 175 without I_LED DD_OFF = 0.1	Ambient light sensing Proximity Sensing IR emitter embedded	10~16 bit 16 bit	0.08m~42K lux up to 10 cm	850nm

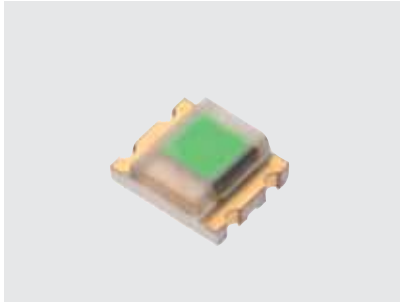
Optical Sensors | RGB Color Sensor | Single Color Sensor (Analog)



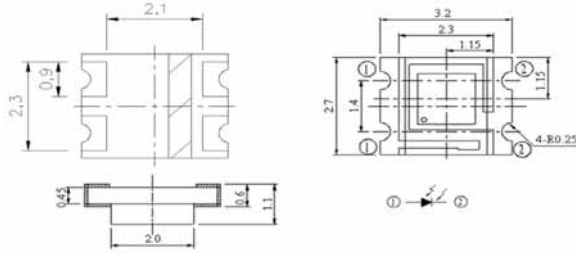
UNIT : mm



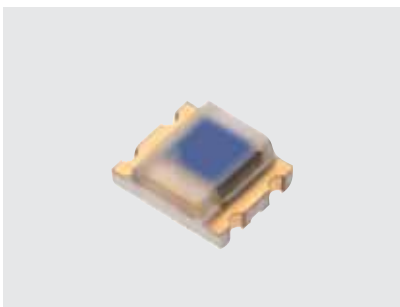
Product	Size (LxWxHmm)	Sensitivity λ_p (nm)	V_F (V)	Revers light current (Ee=100lux) / IL ⁽¹⁾ (μ A)	Revers light current (Ee=1000lux) IL ⁽²⁾ (μ A)
CLS15-22C/L213R/TR8	3.2x2.7x1.1	620	0.5~1.3	0.091	0.83



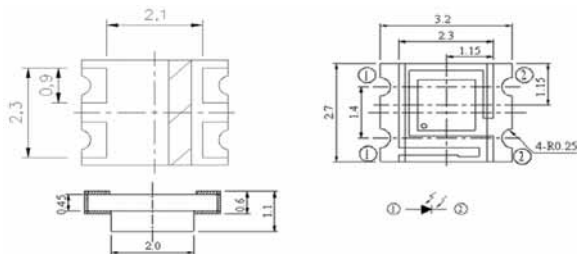
UNIT : mm



Product	Size (LxWxHmm)	Sensitivity λ_p (nm)	V_F (V)	Revers light current (Ee=100lux) / IL ⁽¹⁾ (μ A)	Revers light current (Ee=1000lux) IL ⁽²⁾ (μ A)
CLS15-22C/L213G/TR8	3.2x2.7x1.1	550	0.5~1.3	0.082	0.72



UNIT : mm

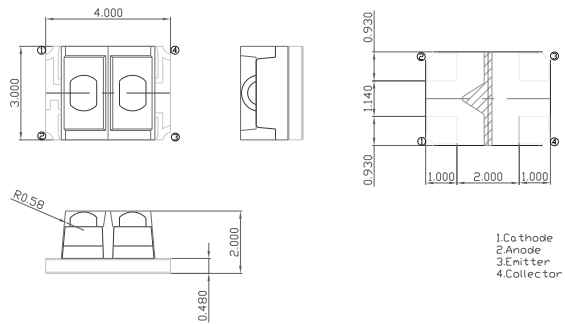


Product	Size (LxWxHmm)	Sensitivity λ_p (nm)	V_F (V)	Revers light current (Ee=100lux) / IL ⁽¹⁾ (μ A)	Revers light current (Ee=1000lux) IL ⁽²⁾ (μ A)
CLS15-22C/L213B/TR8	3.2x2.7x1.1	470	0.5~1.3	0.046	0.39

Optical Sensors | Reflective Sensor



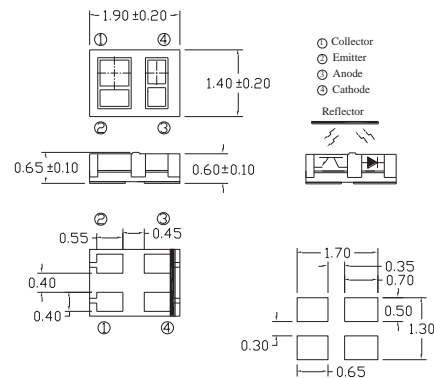
UNIT : mm



Product	Size (LxWxHmm)	V _{F_Typ} (V)	V _{F_Max} (V)	V _{CE(SAT)_Max} (V)	I _{C(ON)_Min} (mA)	I _{CEO_Max.} (nA)
ITR1502SR40A/TR8	4x3x2	1.2	1.4	--	0.06	100



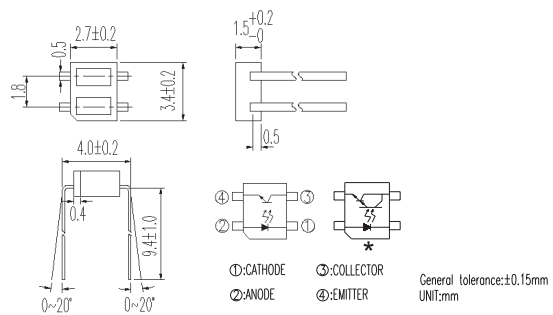
UNIT : mm



Product	Size (LxWxHmm)	V _{F_Typ} (V)	V _{F_Max} (V)	V _{CE(SAT)_Max} (V)	I _{C(ON)_Min} (mA)	I _{CEO_Max.} (nA)
ITR1504SR10A/TR	1.9x1.4x0.65	1.25	1.5	0.4	0.13	1000



UNIT : mm



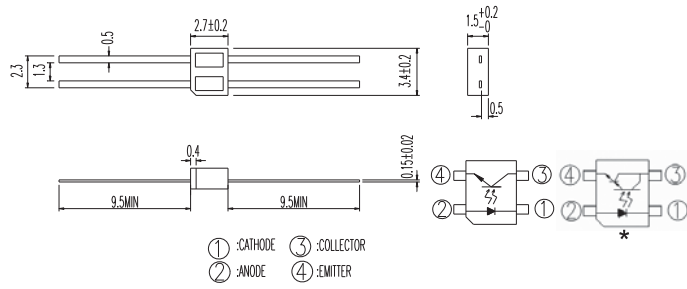
Product	Size (LxWxHmm)	V _{F_Typ} (V)	V _{F_Max} (V)	V _{CE(SAT)_Max} (V)	I _{C(ON)_Min} (mA)	I _{CEO_Max.} (nA)
ITR8307/F43	3.4x2.7x1.5	1.2	1.6	0.4	0.1	100
*ITR8307/L24/F43	3.4x2.7x1.5	1.2	1.4	--	0.5	1000

Star mark * : Please refer to the schematic of Pin configuration with " * " mark.

Optical Sensors | Reflective Sensor



UNIT : mm

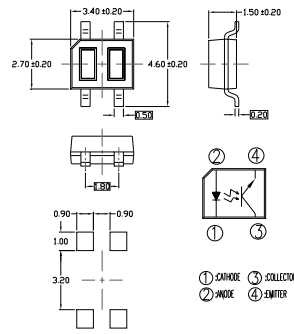


Product	Size (LxWxHmm)	V _{F_Typ} (V)	V _{F_Max} (V)	V _{CE(SAT)_Max} (V)	I _{C(ON)_Min} (mA)	I _{CEO_Max.} (nA)
ITR8307	3.4x2.7x1.5	1.2	1.6	0.4	0.1	100
*ITR8307/L24	3.4x2.7x1.5	1.2	1.4	--	0.5	1000

Star mark * : Please refer to the schematic of Pin configuration with " * " mark.



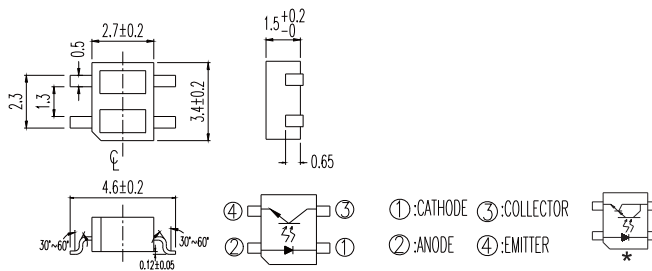
UNIT : mm



Product	Size (LxWxHmm)	V _{F_Typ} (V)	V _{F_Max} (V)	V _{CE(SAT)_Max} (V)	I _{C(ON)_Min} (mA)	I _{CEO_Max.} (nA)
ITR1201SR10AR/TR	3.4x2.7x1.5	1.2	1.4	--	0.1	100



UNIT : mm



Product	Size (LxWxHmm)	V _{F_Typ} (V)	V _{F_Max} (V)	V _{CE(SAT)_Max} (V)	I _{C(ON)_Min} (mA)	I _{CEO_Max.} (nA)
*ITR8307/L24/TR8	3.4x2.7x1.5	1.2	1.4	--	0.5	1000
ITR8307/TR8	3.4x2.7x1.5	1.2	1.6	0.4	0.1	100

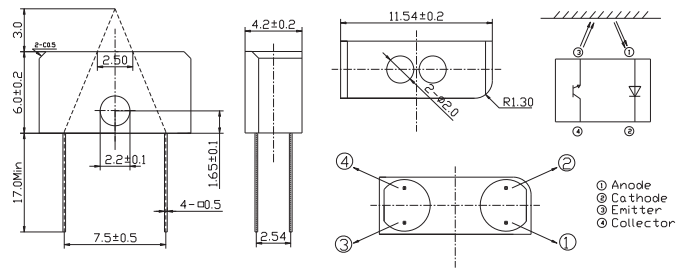
Star mark * : Please refer to the schematic of Pin configuration with " * " mark.

Optical Sensors

Optical Sensors | Reflective Sensor



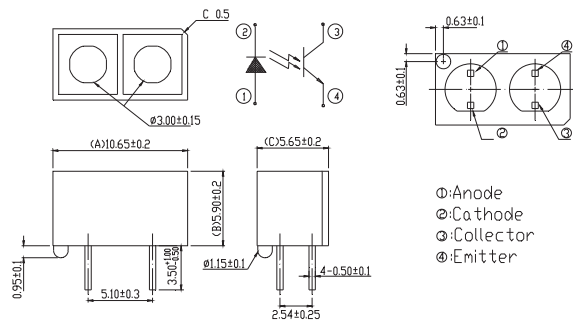
UNIT : mm



Product	Size (LxWxHmm)	V _{F_Typ} (V)	V _{F_Max} (V)	V _{CE(SAT)_Max} (V)	I _{C(ON)_Min} (mA)	I _{CEO_Max.} (nA)
ITR9904	11.54x4.2x6	1.2	1.5	0.4	0.1	100



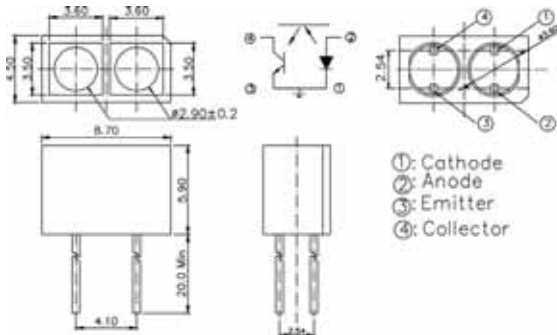
UNIT : mm



Product	Size (LxWxHmm)	V _{F_Typ} (V)	V _{F_Max} (V)	V _{CE(SAT)_Max} (V)	I _{C(ON)_Min} (mA)	I _{CEO_Max.} (nA)
ITR9908	10.65x5.65x5.9	1.2	1.5	0.4	0.5	100



UNIT : mm

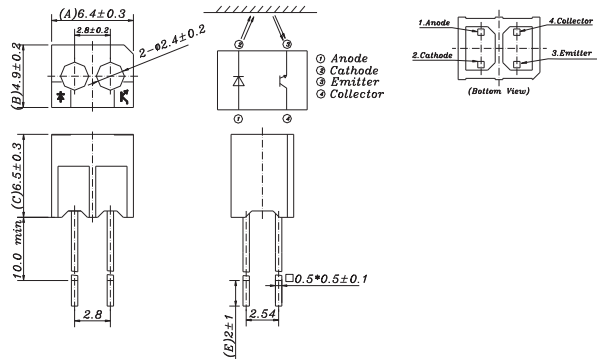


Product	Size (LxWxHmm)	V _{F_Typ} (V)	V _{F_Max} (V)	V _{CE(SAT)_Max} (V)	I _{C(ON)_Min} (mA)	I _{CEO_Max.} (nA)
ITR9909	8.7x4.5x5.9	1.2	1.5	0.4	0.2	100

Optical Sensors | Reflective Sensor



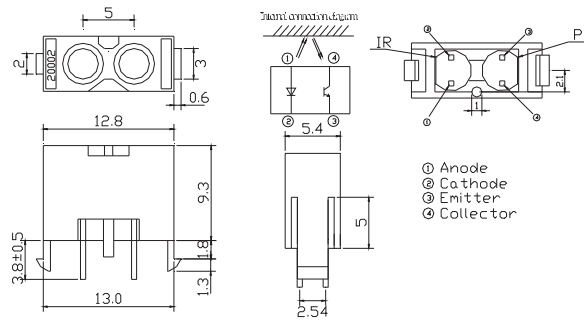
UNIT : mm



Product	Size (LxWxHmm)	V _{F_Typ} (V)	V _{F_Max} (V)	V _{CE(SAT)_Max} (V)	I _{C(ON)_Min} (mA)	I _{CEO_Max.} (nA)
ITR20001/T	6.4x4.9x6.5	1.2	1.5	0.4	0.2	100



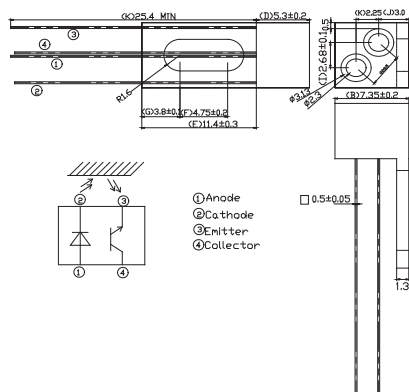
UNIT : mm



Product	Size (LxWxHmm)	V _{F_Typ} (V)	V _{F_Max} (V)	V _{CE(SAT)_Max} (V)	I _{C(ON)_Min} (mA)	I _{CEO_Max.} (nA)
ITR20002	12.8x5.4x9.3	1.2	1.5	0.4	0.04	100



UNIT : mm



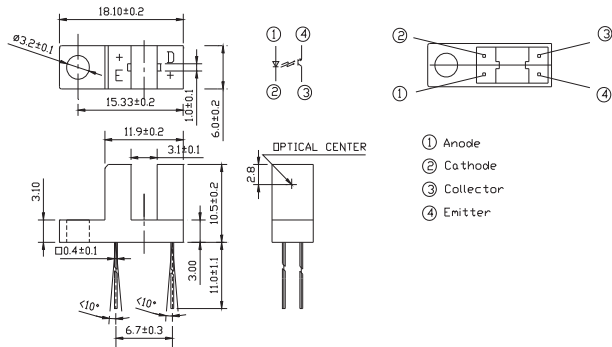
Product	Size (LxWxHmm)	V _{F_Typ} (V)	V _{F_Max} (V)	V _{CE(SAT)_Max} (V)	I _{C(ON)_Min} (mA)	I _{CEO_Max.} (nA)
ITR20501	7.35x6.6x5.3	1.2	1.5	0.4	0.02	100

Optical Sensors

Optical Sensors | Transmissive Sensor



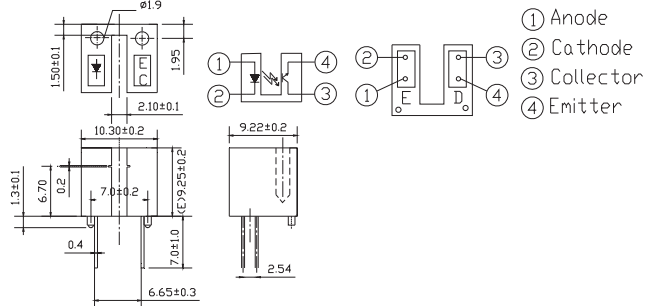
UNIT : mm



Product	Size (LxWxHmm)	V _{F_Typ} (V)	V _{F_Max} (V)	V _{CE(SAT)_Max} (V)	I _{C(ON)_Min} (mA)	I _{CEO_Max.} (nA)	Gap Distance (mm)
ITR8104	18.1x6x10.5	1.2	1.5	0.4	0.9	100	3.1



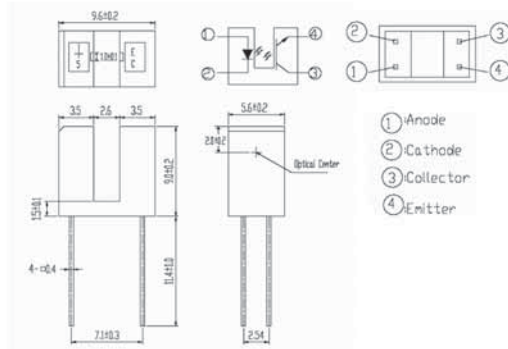
UNIT : mm



Product	Size (LxWxHmm)	V _{F_Typ} (V)	V _{F_Max} (V)	V _{CE(SAT)_Max} (V)	I _{C(ON)_Min} (mA)	I _{CEO_Max.} (nA)	Gap Distance (mm)
ITR8010	10.3x9.22x9.25	1.2	1.6	0.4	0.5	100	2.1



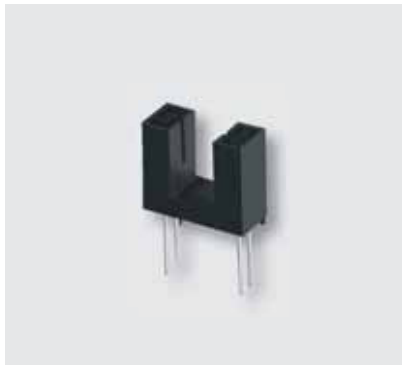
UNIT : mm



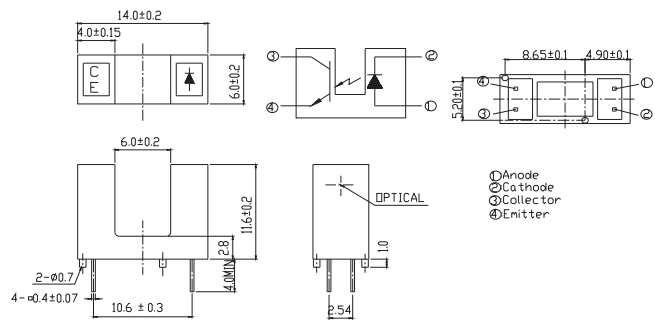
Product	Size (LxWxHmm)	V _{F_Typ} (V)	V _{F_Max} (V)	V _{CE(SAT)_Max} (V)	I _{C(ON)_Min} (mA)	I _{CEO_Max.} (nA)	Gap Distance (mm)
ITR8105	9.6x5.6x9	1.2	1.6	0.4	0.9	100	2.6

Optical Sensors

Optical Sensors | Transmissive Sensor



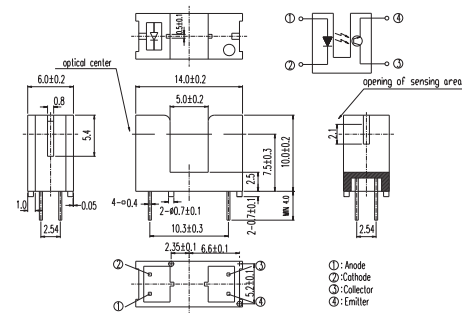
UNIT : mm



Product	Size (LxWxHmm)	V _{F_Typ} (V)	V _{F_Max} (V)	V _{CE(SAT)_Max} (V)	I _{C(ON)_Min} (mA)	I _{CEO_Max.} (nA)	Gap Distance (mm)
ITR8402-F-A	14.0x6x11.6	1.2	1.5	0.4	0.5	100	6



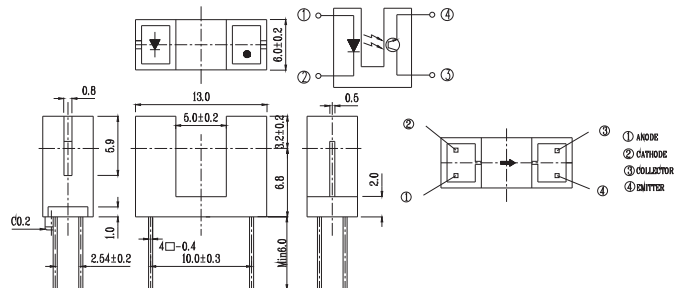
UNIT : mm



Product	Size (LxWxHmm)	V _{F_Typ} (V)	V _{F_Max} (V)	V _{CE(SAT)_Max} (V)	I _{C(ON)_Min} (mA)	I _{CEO_Max.} (nA)	Gap Distance (mm)
ITR9606-F	14x6x10	1.2	1.5	0.4	0.5	100	5



UNIT : mm

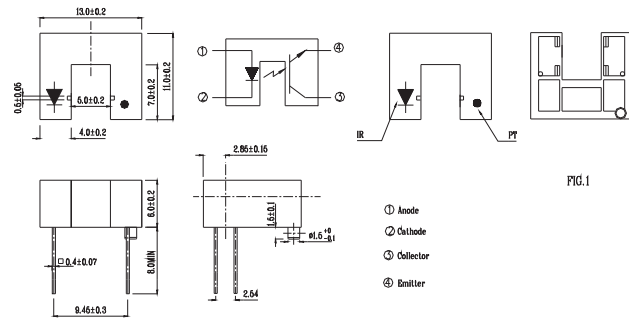


Product	Size (LxWxHmm)	V _{F_Typ} (V)	V _{F_Max} (V)	V _{CE(SAT)_Max} (V)	I _{C(ON)_Min} (mA)	I _{CEO_Max.} (nA)	Gap Distance (mm)
ITR9608-F	13x6x10	1.2	1.5	0.4	0.5	100	5

Optical Sensors | Transmissive Sensor



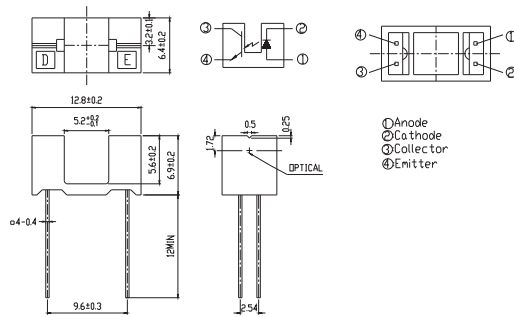
UNIT : mm



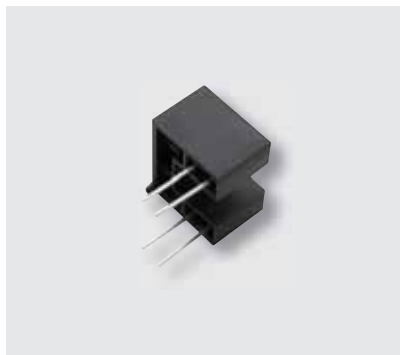
Product	Size (LxWxHmm)	V _{F_Typ} (V)	V _{F_Max} (V)	V _{CE(SAT)_Max} (V)	I _{C(ON)_Min} (mA)	I _{CEO_Max.} (nA)	Gap Distance (mm)
ITR9702-F	13x11x6	1.2	1.5	0.4	0.5	100	5



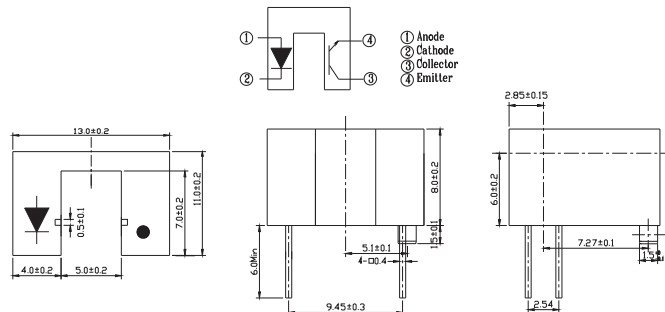
UNIT : mm



Product	Size (LxWxHmm)	V _{F_Typ} (V)	V _{F_Max} (V)	V _{CE(SAT)_Max} (V)	I _{C(ON)_Min} (mA)	I _{CEO_Max.} (nA)	Gap Distance (mm)
ITR9707	12.8x6.4x6.9	1.2	1.5	0.4	0.5	100	5.2



UNIT : mm



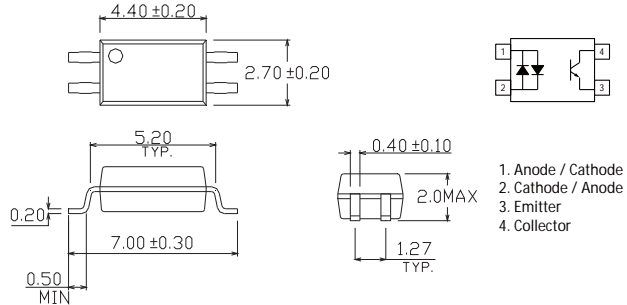
Product	Size (LxWxHmm)	V _{F_Typ} (V)	V _{F_Max} (V)	V _{CE(SAT)_Max} (V)	I _{C(ON)_Min} (mA)	I _{CEO_Max.} (nA)	Gap Distance (mm)
ITR9809-F/T	13x11x8	1.2	1.5	0.4	1	100	5

Optical Sensors

Photo Coupler | Transistor | 4Pin SSOP-AC

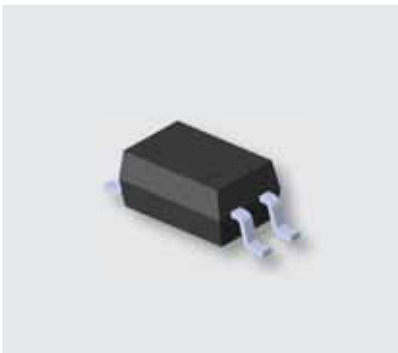


UNIT : mm

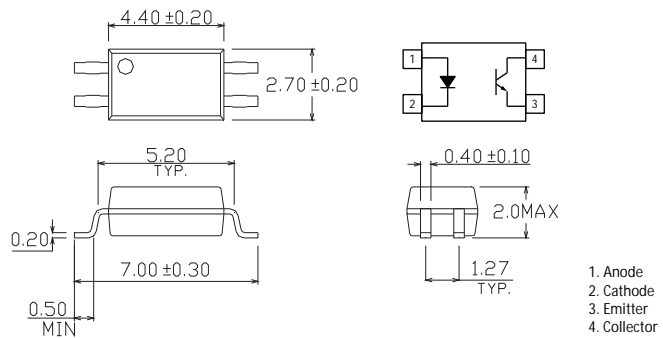


Product	Size (LxWxHmm)	V _{F_Typ} (V)	Rise / Fall Time (μs)	BV _{CEO_Min} (V)	CTR (%)	Viso (V _{rms})	V _{CE(SAT)_Max} (V)
EL3H4-G	4.4x2.7x2	1.2	6 / 8	80	20-300	3750	0.2

Photo Coupler | Transistor | 4Pin SSOP-DC



UNIT : mm

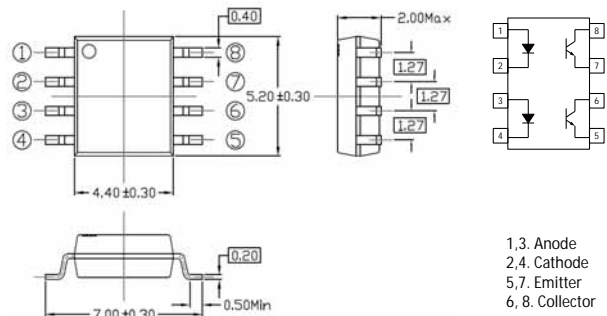


Product	Size (LxWxHmm)	V _{F_Typ} (V)	Rise / Fall Time (μs)	BV _{CEO_Min} (V)	CTR (%)	Viso (V _{rms})	V _{CE(SAT)_Max} (V)
EL3H7-G	4.4x2.7x2	1.2	5 / 3	80	50-600	3750	0.2

Photo Coupler | Transistor | 8Pin SSOP-DC



UNIT : mm



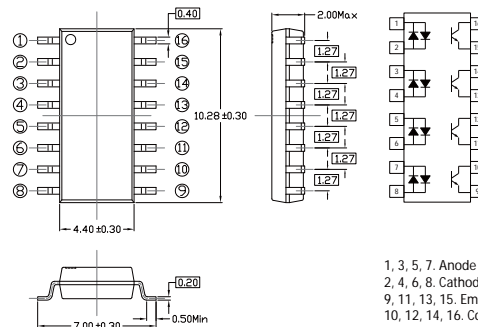
Product	Size (LxWxHmm)	V _{F_Typ} (V)	Rise / Fall Time (μs)	BV _{CEO_Min} (V)	CTR (%)	Viso (V _{rms})	V _{CE(SAT)_Max} (V)
ELD3H7	5.2x4.4x2	1.2	5 / 3	80	50-600	3750	0.2

Photo Coupler

Photo Coupler | Transistor | 16Pin SSOP-AC



UNIT : mm



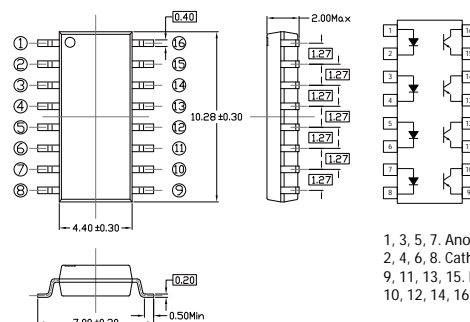
- 1, 3, 5, 7. Anode / Cathode
- 2, 4, 6, 8. Cathode / Anode
- 9, 11, 13, 15. Emitter
- 10, 12, 14, 16. Collector

Product	Size (LxWxHmm)	V _{F_Typ} (V)	Rise / Fall Time (μs)	BV _{CEO_Min} (V)	CTR (%)	Viso (V _{rms})	V _{CE(SAT)_Max} (V)
ELQ3H4	10.28x4.4x2	1.2	5 / 3	80	20~300	3750	0.2

Photo Coupler | Transistor | 16Pin SSOP-DC



UNIT : mm



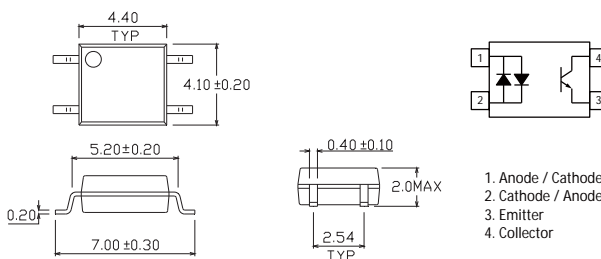
- 1, 3, 5, 7. Anode
- 2, 4, 6, 8. Cathode
- 9, 11, 13, 15. Emitter
- 10, 12, 14, 16. Collector

Product	Size (LxWxHmm)	V _{F_Typ} (V)	Rise / Fall Time (μs)	BV _{CEO_Min} (V)	CTR (%)	Viso (V _{rms})	V _{CE(SAT)_Max} (V)
ELQ3H7	10.28x4.4x2	1.2	5 / 3	80	50~600	3750	0.2

Photo Coupler | Transistor | 4Pin SOP-AC



UNIT : mm



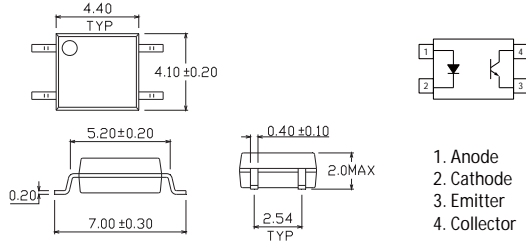
- 1. Anode / Cathode
- 2. Cathode / Anode
- 3. Emitter
- 4. Collector

Product	Size (LxWxHmm)	V _{F_Typ} (V)	Rise / Fall Time (μs)	BV _{CEO_Min} (V)	CTR (%)	Viso (V _{rms})	V _{CE(SAT)_Max} (V)
EL354N-G	4.4x4.1x2	1.2	6 / 8	80	20~300	3750	0.2

Photo Coupler | Transistor | 4Pin SOP-DC



UNIT : mm

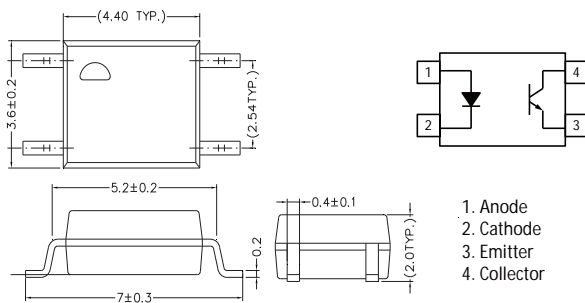


- 1. Anode
- 2. Cathode
- 3. Emitter
- 4. Collector

Product	Size (LxWxHmm)	V _{F_Typ} (V)	Rise / Fall Time (µs)	BV _{CEO_Min} (V)	CTR (%)	Viso (V _{rms})	V _{CE(SAT)_Max} (V)
EL357N-G	4.4x4.1x2	1.2	3 / 4	80	50-600	3750	0.2



UNIT : mm



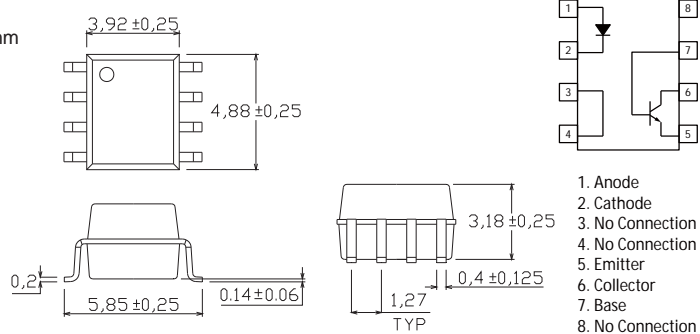
- 1. Anode
- 2. Cathode
- 3. Emitter
- 4. Collector

Product	Size (LxWxHmm)	V _{F_Typ} (V)	Rise / Fall Time (µs)	BV _{CEO_Min} (V)	CTR (%)	Viso (V _{rms})	V _{CE(SAT)_Max} (V)
EL121N	4.4x3.6x2	1.2	3 / 4	80	50-600	3750	0.2

Photo Coupler | Transistor | 8Pin SOP-DC



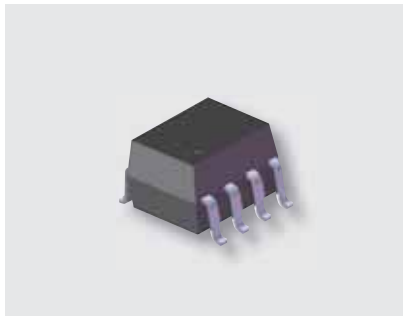
UNIT : mm



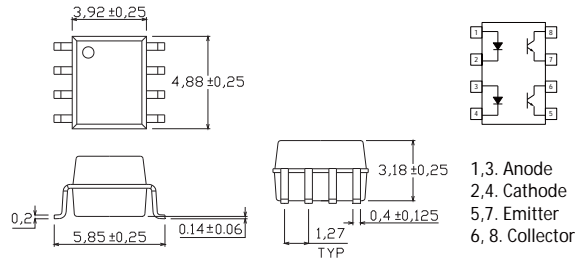
- 1. Anode
- 2. Cathode
- 3. No Connection
- 4. No Connection
- 5. Emitter
- 6. Collector
- 7. Base
- 8. No Connection

Product	Size (LxWxHmm)	V _{F_Typ} (V)	Rise / Fall Time (µs)	BV _{CEO_Min} (V)	CTR (%)	Viso (V _{rms})	V _{CE(SAT)_Max} (V)
EL205	4.88x3.92x3.18	1.3	1.6 / 2.2	80	40-80	3750	0.4
EL206	4.88x3.92x3.18	1.3	1.6 / 2.2	80	63-125	3750	0.4
EL207	4.88x3.92x3.18	1.3	1.6 / 2.2	80	100-200	3750	0.4
EL208	4.88x3.92x3.18	1.3	1.6 / 2.2	80	160-320	3750	0.4
EL211	4.88x3.92x3.18	1.3	1.6 / 2.2	80	20 min.	3750	0.4
EL212	4.88x3.92x3.18	1.3	1.6 / 2.2	80	50 min.	3750	0.4
EL213	4.88x3.92x3.18	1.3	1.6 / 2.2	80	100 min.	3750	0.4
EL215	4.88x3.92x3.18	1.3	1.6 / 2.2	80	10 min.	3750	0.4
EL216	4.88x3.92x3.18	1.3	1.6 / 2.2	80	50 min.	3750	0.4
EL217	4.88x3.92x3.18	1.3	1.6 / 2.2	80	100 min.	3750	0.4

Photo Coupler | Transistor | 8Pin SOP-DC



UNIT : mm



- 1,3. Anode
- 2,4. Cathode
- 5,7. Emitter
- 6, 8. Collector

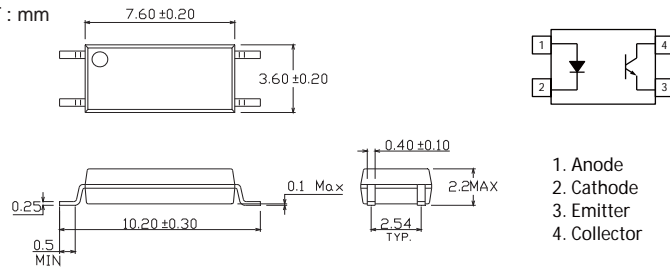
Product	Size (LxWxHmm)	V _{F_Typ} (V)	Rise / Fall Time (μs)	BV _{CEO_Min} (V)	CTR (%)	Viso (V _{rms})	V _{CE(SAT)_Max} (V)
ELD205	4.88x3.92x3.18	1.2	1.6 / 2.2	80	40~80	3750	0.4
ELD206	4.88x3.92x3.18	1.2	1.6 / 2.2	80	63~125	3750	0.4
ELD207	4.88x3.92x3.18	1.2	1.6 / 2.2	80	100~200	3750	0.4
ELD211	4.88x3.92x3.18	1.2	1.6 / 2.2	80	20 min.	3750	0.4
ELD213	4.88x3.92x3.18	1.2	1.6 / 2.2	80	100 min.	3750	0.4
ELD217	4.88x3.92x3.18	1.2	1.6 / 2.2	80	100 min.	3750	0.4

Photo Coupler | Transistor | 4Pin LSOP-DC

Photo Coupler



UNIT : mm



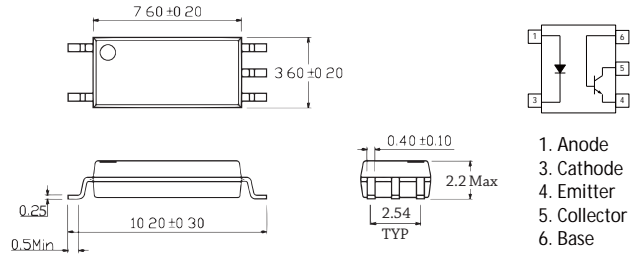
- 1. Anode
- 2. Cathode
- 3. Emitter
- 4. Collector

Product	Size (LxWxHmm)	V _{F_Typ} (V)	Rise / Fall Time (μs)	BV _{CEO_Min} (V)	CTR (%)	Viso (V _{rms})	V _{CE(SAT)_Max} (V)
EL1010-G	7.6x3.6x2.2	1.45	2 / 3	80	50~600	5000	0.3
EL1012-G	7.6x3.6x2.2	1.45	2 / 3	80	63~125	5000	0.3
EL1013-G	7.6x3.6x2.2	1.45	2 / 3	80	100~200	5000	0.3
EL1014-G	7.6x3.6x2.2	1.45	2 / 3	80	160~320	5000	0.3
EL1017-G	7.6x3.6x2.2	1.45	2 / 3	80	80~160	5000	0.3
EL1018-G	7.6x3.6x2.2	1.45	2 / 3	80	130~260	5000	0.3
EL1019-G	7.6x3.6x2.2	1.45	2 / 3	80	200~400	5000	0.3

Photo Coupler | Transistor | 5Pin LSOP-DC



UNIT : mm



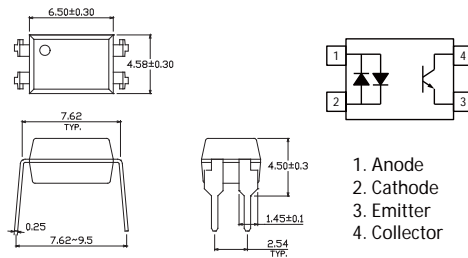
1. Anode
3. Cathode
4. Emitter
5. Collector
6. Base

Product	Size (LxWxHmm)	V_F _Typ (V)	Rise / Fall Time (μ s)	BV_{CEO} _Min (V)	CTR (%)	Viso (V_{rms})	$V_{CE(SAT)}$ _Max (V)
EL1110-G	7.6x3.6x2.2	1.45	2 / 3	80	50~600	5000	0.4
EL1112-G	7.6x3.6x2.2	1.45	2 / 3	80	63~125	5000	0.4
EL1113-G	7.6x3.6x2.2	1.45	2 / 3	80	100~200	5000	0.4
EL1114-G	7.6x3.6x2.2	1.45	2 / 3	80	160~320	5000	0.4
EL1116-G	7.6x3.6x2.2	1.45	2 / 3	80	100~300	5000	0.4
EL1117-G	7.6x3.6x2.2	1.45	2 / 3	80	80~160	5000	0.4
EL1118-G	7.6x3.6x2.2	1.45	2 / 3	80	130~260	5000	0.4
EL1119-G	7.6x3.6x2.2	1.45	2 / 3	80	200~400	5000	0.4

Photo Coupler | Transistor | 4Pin DIP-AC



UNIT : mm



1. Anode
2. Cathode
3. Emitter
4. Collector

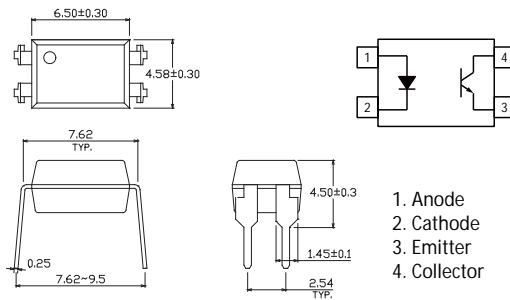
Product	Size (LxWxHmm)	V_F _Typ (V)	Rise / Fall Time (μ s)	BV_{CEO} _Min (V)	CTR (%)	Viso (V_{rms})	$V_{CE(SAT)}$ _Max (V)
EL814	6.5x4.58x3.5	1.2	7 / 11	80	20~300	5000	0.2

Photo Coupler

Photo Coupler | Transistor | 4Pin DIP-DC



UNIT : mm

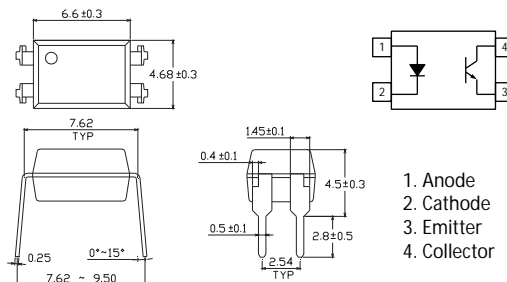


1. Anode
2. Cathode
3. Emitter
4. Collector

Product	Size (LxWxHmm)	V _{F_Typ} (V)	Rise / Fall Time (μs)	BV _{CEO_Min} (V)	CTR (%)	Viso (V _{rms})	V _{CE(SAT)_Max} (V)
EL816	6.5x4.58x3.5	1.2	4 / 3	80	50-600	5000	0.2
EL817	6.5x4.58x3.5	1.2	4 / 3	35	50-600	5000	0.2
EL817-G	6.5x4.58x3.5	1.2	6 / 8	80	50-600	5000	0.2
EL851	6.5x4.58x3.5	1.2	4 / 5	350	50-600	5000	0.4



UNIT : mm



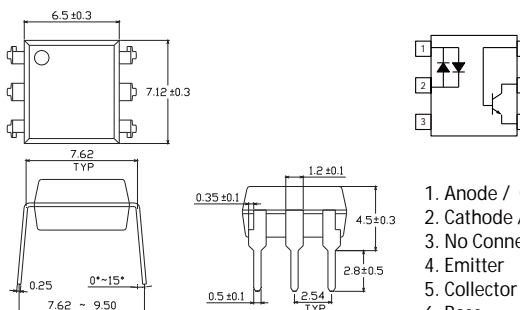
1. Anode
2. Cathode
3. Emitter
4. Collector

Product	Size (LxWxHmm)	V _{F_Typ} (V)	Rise / Fall Time (μs)	BV _{CEO_Min} (V)	CTR (%)	Viso (V _{rms})	V _{CE(SAT)_Max} (V)
EL617	6.6x4.68x3.5	1.2	4 / 3	80	50-600	5000	0.2

Photo Coupler | Transistor | 6Pin DIP-AC



UNIT : mm



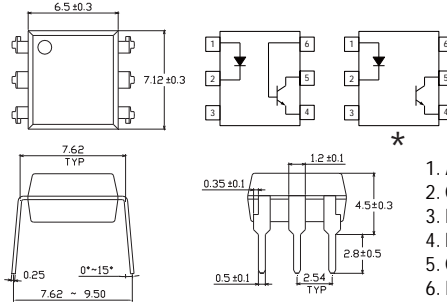
1. Anode / Cathode
2. Cathode / Anode
3. No Connection
4. Emitter
5. Collector
6. Base

Product	Size (LxWxHmm)	V _{F_Typ} (V)	Rise / Fall Time (μs)	BV _{CEO_Min} (V)	CTR (%)	Viso (V _{rms})	V _{CE(SAT)_Max} (V)
H11AA1	7.12x6.5x3.5	1.2	10 / 10	80	20 min.	5000	0.4
H11AA2	7.12x6.5x3.5	1.2	10 / 10	80	10 min.	5000	0.4
H11AA3	7.12x6.5x3.5	1.2	10 / 10	80	50 min.	5000	0.4
H11AA4	7.12x6.5x3.5	1.2	10 / 10	80	100 min.	5000	0.4

Photo Coupler | Transistor | 6Pin DIP-DC



UNIT : mm



- 1. Anode
- 2. Cathode
- 3. No Connection
- 4. Emitter
- 5. Collector
- 6. Base

Product	Size (LxWxHmm)	V _{F_Typ} (V)	Rise / Fall Time (μs)	BV _{CEO_Min} (V)	CTR (%)	Viso (V _{rms})	V _{CE(SAT)_Max} (V)
4N25	7.12x6.5x3.5	1.2	3 / 3	80	20 min.	5000	0.5
4N26	7.12x6.5x3.5	1.2	3 / 3	80	20 min.	5000	0.5
4N27	7.12x6.5x3.5	1.2	3 / 3	80	10 min.	5000	0.5
4N28	7.12x6.5x3.5	1.2	3 / 3	80	10 min.	5000	0.5
4N35	7.12x6.5x3.5	1.2	10 / 9	80	100 min.	5000	0.3
4N36	7.12x6.5x3.5	1.2	10 / 9	80	100 min.	5000	0.3
4N37	7.12x6.5x3.5	1.2	10 / 9	80	100 min.	5000	0.3
4N38	7.12x6.5x3.5	1.2	10 / 9	80	20 min.	5000	1
CNY17-1	7.12x6.5x3.5	--	6 / 8	80	40~80	5000	0.3
CNY17-2	7.12x6.5x3.5	--	6 / 8	80	63~125	5000	0.3
CNY17-3	7.12x6.5x3.5	--	6 / 8	80	100~200	5000	0.3
CNY17-4	7.12x6.5x3.5	--	6 / 8	80	160~320	5000	0.3
*CNY17F-1	7.12x6.5x3.5	--	6 / 8	80	40~80	5000	0.3
*CNY17F-2	7.12x6.5x3.5	--	6 / 8	80	63~125	5000	0.3
*CNY17F-3	7.12x6.5x3.5	--	6 / 8	80	100~200	5000	0.3
*CNY17F-4	7.12x6.5x3.5	--	6 / 8	80	160~320	5000	0.3
H11A1	7.12x6.5x3.5	1.2	3 / 3	80	50 min.	5000	0.4
H11A2	7.12x6.5x3.5	1.2	3 / 3	80	20 min.	5000	0.4
H11A3	7.12x6.5x3.5	1.2	3 / 3	80	20 min.	5000	0.4
H11A4	7.12x6.5x3.5	1.2	3 / 3	80	10 min.	5000	0.4
H11A5	7.12x6.5x3.5	1.2	3 / 3	80	30 min.	5000	0.4
MCT2E	7.12x6.5x3.5	1.23	3 / 3	80	20 min.	5000	0.4
TIL111	7.12x6.5x3.5	1.22	6 / 8	80	--	5000	0.4
TIL117	7.12x6.5x3.5	--	6 / 8	80	50 min.	5000	0.4

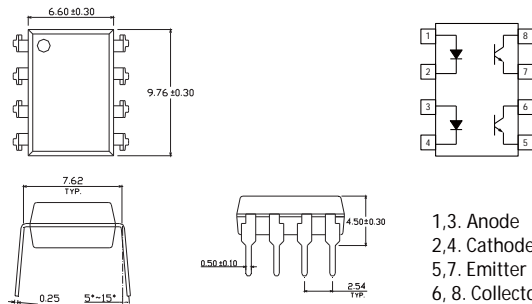
Star mark * : Please refer to the schematic of Pin configuration with " * " mark

Photo Coupler

Photo Coupler | Transistor | 8Pin DIP-DC



UNIT : mm



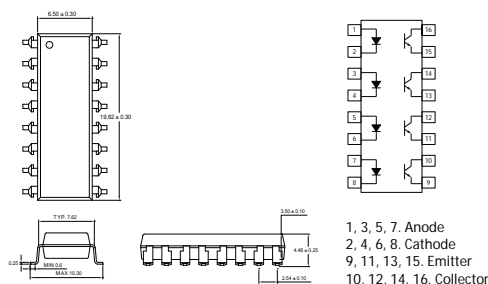
- 1,3. Anode
- 2,4. Cathode
- 5,7. Emitter
- 6, 8. Collector

Product	Size (LxWxHmm)	V _{F_Typ} (V)	Rise / Fall Time (μs)	BV _{CEO_Min} (V)	CTR (%)	Viso (V _{rms})	V _{CE(SAT)_Max} (V)
EL827	9.76x6.6 x3.5	1.2	3 / 4	80	50~600	5000	0.2

Photo Coupler | Transistor | 16Pin DIP-DC



UNIT : mm

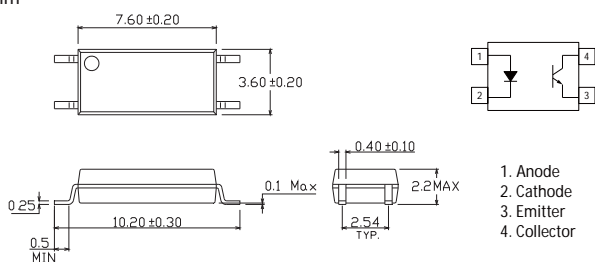


Product	Size (LxWxHmm)	V _{F-Typ} (V)	Rise / Fall Time (μs)	BV _{CEO-Min} (V)	CTR (%)	Viso (V _{rms})	V _{CE(SAT)-Max} (V)
EL847	19.82x6.5x3.5	1.2	4 / 3	80	50~600	5000	0.2

Photo Coupler | Transistor Low Input Current | 4pin LSOP-DC



UNIT : mm

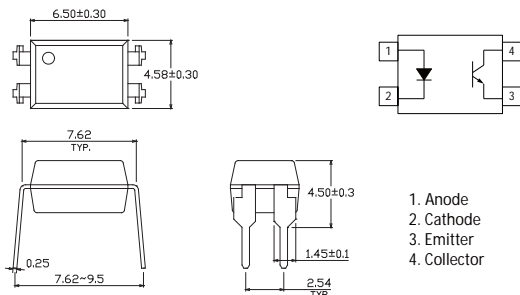


Product	Size (LxWxHmm)	V _{F-Typ} (V)	Rise / Fall Time (μs)	BV _{CEO-Min} (V)	CTR (%)	Viso (V _{rms})	V _{CE(SAT)-Max} (V)
EL357L	7.6x3.6x2.2	1.45	7 / 8	80	63~300	5000	0.4

Photo Coupler | Transistor Low Input Current | 4pin DIP-DC



UNIT : mm

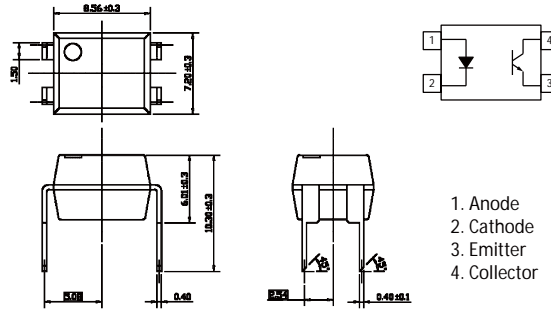


Product	Size (LxWxHmm)	V _{F-Typ} (V)	Rise / Fall Time (μs)	BV _{CEO-Min} (V)	CTR (%)	Viso (V _{rms})	V _{CE(SAT)-Max} (V)
EL8171	6.5x4.58x3.5	1.2	6 / 8	70	100~350	5000	0.2

Photo Coupler | Transistor High Isolation | 4pin DIP-DC



UNIT : mm

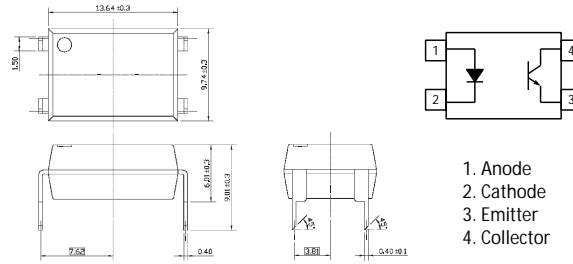


- 1. Anode
- 2. Cathode
- 3. Emitter
- 4. Collector

Product	Size (LxWxHmm)	V _{F_Typ} (V)	Rise / Fall Time (μs)	BV _{CEO_Min} (V)	CTR (%)	Viso (V _{rms})	V _{CE(SAT)_Max} (V)
CNY64	8.56x7.2x6.01	1.6	3 / 5	80	50~300	8200	0.3



UNIT : mm



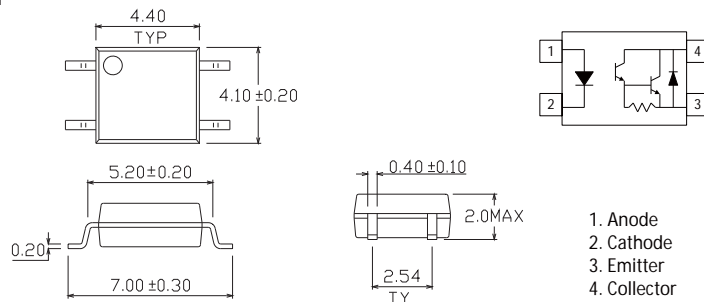
- 1. Anode
- 2. Cathode
- 3. Emitter
- 4. Collector

Product	Size (LxWxHmm)	V _{F_Typ} (V)	Rise / Fall Time (μs)	BV _{CEO_Min} (V)	CTR (%)	Viso (V _{rms})	V _{CE(SAT)_Max} (V)
CNY65	13.64x9.74x6.01	1.6	3 / 5	80	50~300	8200	0.3

Photo Coupler | Darlington Transistor | 4Pin SOP-DC



UNIT : mm



- 1. Anode
- 2. Cathode
- 3. Emitter
- 4. Collector

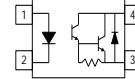
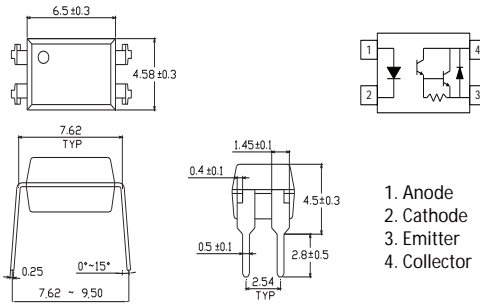
Product	Size (LxWxHmm)	V _{F_Typ} (V)	Rise / Fall Time (μs)	BV _{CEO_Min} (V)	CTR (%)	Viso (V _{rms})	V _{CE(SAT)_Max} (V)
EL452-G	4.4x4.1x2	1.2	80 / 10	350	1000 min.	3750	1.5

Photo Coupler

Photo Coupler | Darlington Transistor | 4Pin DIP-DC



UNIT : mm



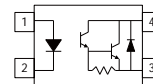
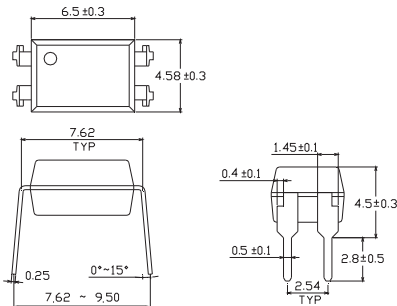
- 1. Anode
- 2. Cathode
- 3. Emitter
- 4. Collector

Product	Size (LxWxHmm)	V _{F_Typ} (V)	Rise / Fall Time (µs)	BV _{CEO_Min} (V)	CTR (%)	V _{iso} (V _{rms})	V _{CE(SAT)_Max} (V)
EL815	6.5x4.58x3.5	1.2	60 / 53	35	600~7500	5000	1

Photo Coupler



UNIT : mm



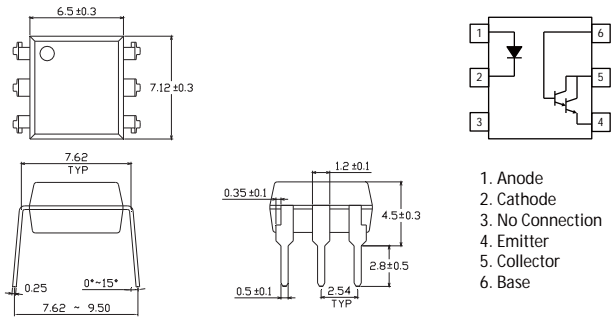
- 1. Anode
- 2. Cathode
- 3. Emitter
- 4. Collector

Product	Size (LxWxHmm)	V _{F_Typ} (V)	Rise / Fall Time (µs)	BV _{CEO_Min} (V)	CTR (%)	V _{iso} (V _{rms})	V _{CE(SAT)_Max} (V)
EL852	6.5x4.58x3.5	1.2	300 / 100	350	1000~15000	5000	1.2

Photo Coupler | Darlington Transistor | 6Pin DIP-DC



UNIT : mm



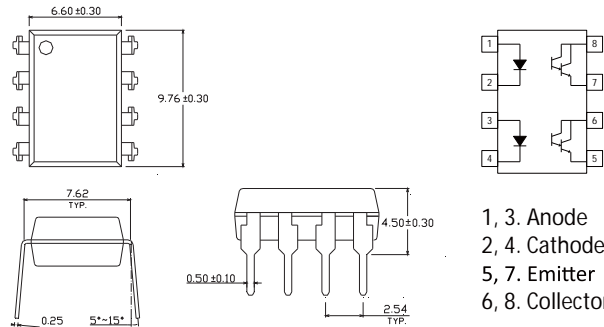
- 1. Anode
- 2. Cathode
- 3. No Connection
- 4. Emitter
- 5. Collector
- 6. Base

Product	Size (LxWxHmm)	V _{F_Typ} (V)	Rise / Fall Time (μs)	BV _{CEO_Min} (V)	CTR (%)	Viso (V _{rms})	V _{CE(SAT)_Max} (V)
4N29	7.12x6.5x3.5	1.2	5 / 40	55	100 min.	5000	1
4N30	7.12x6.5x3.5	1.2	5 / 40	55	100 min.	5000	1
4N31	7.12x6.5x3.5	1.2	5 / 40	55	50 min.	5000	1.2
4N32	7.12x6.5x3.5	1.2	5 / 100	55	500 min.	5000	1
4N33	7.12x6.5x3.5	1.2	5 / 100	55	500 min.	5000	1
H11B1	7.12x6.5x3.5	1.2	25 / 18	55	500 min.	5000	1
H11B2	7.12x6.5x3.5	1.2	25 / 18	55	200 min.	5000	1
H11B3	7.12x6.5x3.5	1.2	25 / 18	55	100 min.	5000	1
H11B255	7.12x6.5x3.5	1.2	25 / 18	55	100 min.	5000	1
TIL113	7.12x6.5x3.5	1.2	5 / 100	55	300 min.	5000	1.2

Photo Coupler | Darlington Transistor | 8Pin DIP-DC



UNIT : mm



- 1, 3. Anode
- 2, 4. Cathode
- 5, 7. Emitter
- 6, 8. Collector

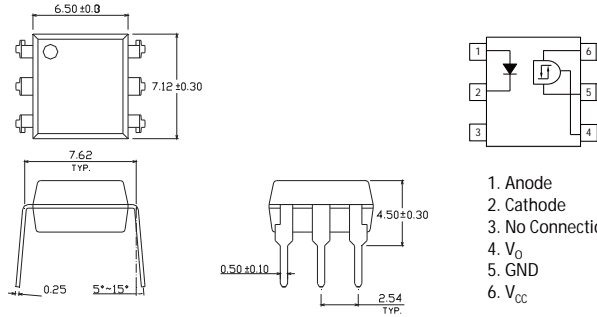
Product	Size (LxWxHmm)	V _{F_Typ} (V)	Rise / Fall Time (μs)	BV _{CEO_Min} (V)	CTR (%)	Viso (V _{rms})	V _{CE(SAT)_Max} (V)
EL825	9.76x6.6x3.5	1.2	60 / 53	40	600~7500	5000	1

Photo Coupler

Photo Coupler | Schmitt Trigger | 6Pin DIP-DC



UNIT : mm



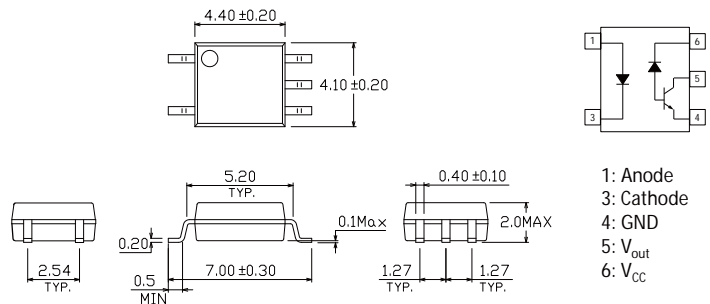
- 1. Anode
- 2. Cathode
- 3. No Connection
- 4. V_O
- 5. GND
- 6. V_{CC}

Product	Size (LxWxHmm)	Rise / Fall Time (μs)	Supply Voltage (V)	Viso (V _{rms})	I _{FT} (mA)	I _{CC-Max} (mA)	I _O (mA)
H11L1	7.12x6.5x3.5	0.1 / 0.1	3-15	5000	1.6	5	50 max.
H11L2	7.12x6.5x3.5	0.1 / 0.1	3-15	5000	10	5	50 max.
H11L3	7.12x6.5x3.5	0.1 / 0.1	3-15	5000	5	5	50 max.

Photo Coupler | High Speed | 5Pin SOP-DC



UNIT : mm

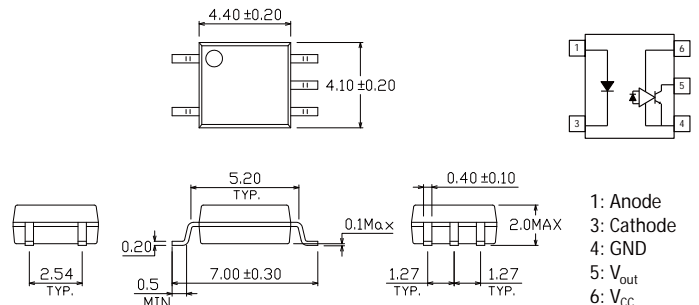


- 1: Anode
- 3: Cathode
- 4: GND
- 5: V_{out}
- 6: V_{CC}

Product	Size (LxWxHmm)	tPHL / tPLH (ns)	Supply Voltage (V)	CTR (%)	Viso (V _{rms})	CMR (V/us)	I _O (mA)
ELM452	4.4x4.1x2	800 / 800	30 max.	20-50	3750	5000	8
ELM453	4.4x4.1x2	800 / 800	30 max.	20-50	3750	15000	8
ELM453L	4.4x4.1x2	800 / 800	30 max.	20-50	3750	15000	8



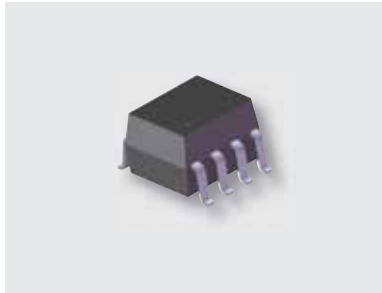
UNIT : mm



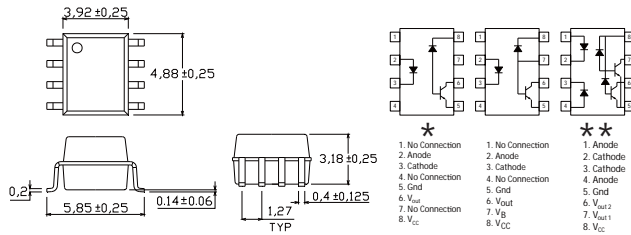
- 1: Anode
- 3: Cathode
- 4: GND
- 5: V_{out}
- 6: V_{CC}

Product	Size (LxWxHmm)	tPHL / tPLH (ns)	Supply Voltage (V)	I _{FT} (mA)	Viso (V _{rms})	CMR (V/us)	I _O (mA)
ELM600	4.4x4.1x2	100 / 100	7 max.	5	3750	-	50 max.
ELM601	4.4x4.1x2	100 / 100	7 max.	5	3750	5000	50 max.
ELM611	4.4x4.1x2	100 / 100	7 max.	5	3750	20000	50 max.

Photo Coupler | High Speed | 8Pin SOP-DC

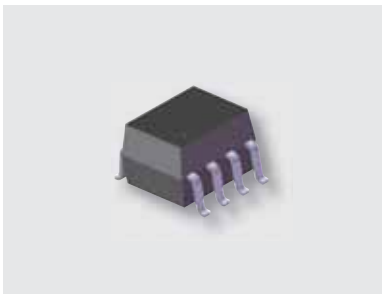


UNIT : mm

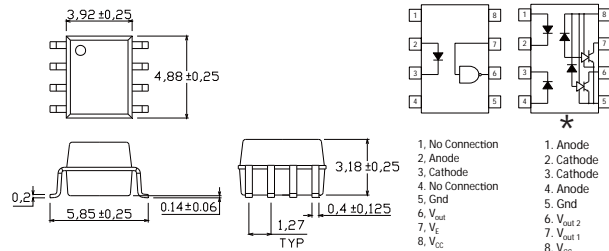


Product	Size (LxWxHmm)	tPHL / tPLH (ns)	Supply Voltage (V)	CTR (%)	Viso (V _{rms})	CMR (V/us)	I _o (mA)
*EL0452	4.88x3.92x3.18	1000 / 1000	30 max.	19~50	3750	1000	8
*EL0453	4.88x3.92x3.18	1000 / 1000	30 max.	19~50	3750	15000	8
EL0500	4.88x3.92x3.18	2000 / 2000	30 max.	7~50	3750	1000	8
EL0501	4.88x3.92x3.18	1000 / 1000	30 max.	19~50	3750	1000	8
EL050L	4.88x3.92x3.18	800 / 800	30 max.	20~50	3750	15000	8
**EL0530	4.88x3.92x3.18	2000 / 2000	30 max.	7~50	3750	1000	8
**EL0531	4.88x3.92x3.18	1000 / 1000	30 max.	19~50	3750	1000	8

Star mark * : Please refer to the schematic of Pin configuration with " * * * * " mark

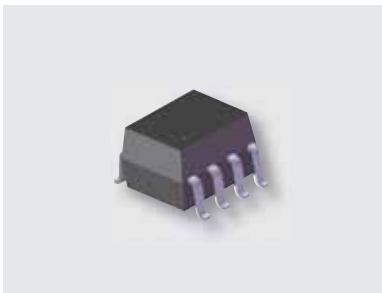


UNIT : mm

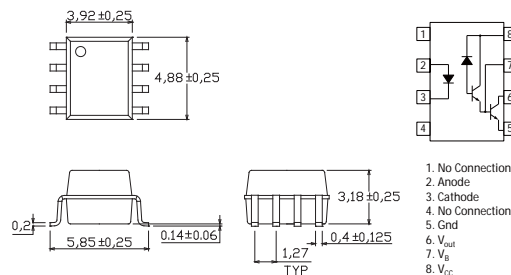


Product	Size (LxWxHmm)	tPHL / tPLH (ns)	Supply Voltage (V)	I _{FT} (mA)	Viso (V _{rms})	CMR (V/us)	I _o (mA)
EL0600	4.88x3.92x3.18	75 / 75	7 max.	5	3750	--	50 max.
EL0601	4.88x3.92x3.18	75 / 75	7 max.	5	3750	5000	50 max.
EL0611	4.88x3.92x3.18	75 / 75	7 max.	5	3750	10000	50 max.
EL060L	4.88x3.92x3.18	75 / 75	7 max.	5	3750	10000	50 max.
*EL0630	4.88x3.92x3.18	100 / 100	7 max.	5	3750	5000	50 max.
*EL0631	4.88x3.92x3.18	100 / 100	7 max.	5	3750	10000	50 max.

Star mark * : Please refer to the schematic of Pin configuration with " * " mark



UNIT : mm

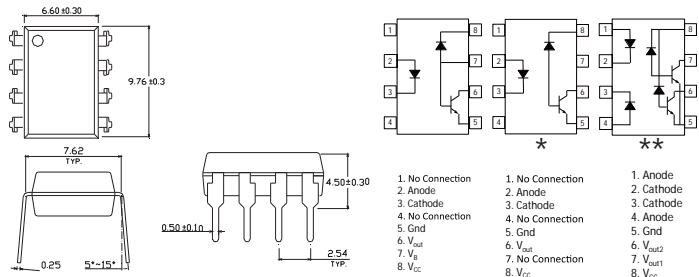


Product	Size (LxWxHmm)	tPHL / tPLH (ns)	Supply Voltage (V)	CTR (%)	Viso (V _{rms})	CMR (V/us)	I _o (mA)
EL0700	4.88x3.92x3.18	3000 / 8000	7	2000 typ.	3750	1000	60 max
EL0701	4.88x3.92x3.18	11000 / 20000	18	2500 typ.	3750	1000	60 max

Photo Coupler | High Speed | 8Pin DIP-DC



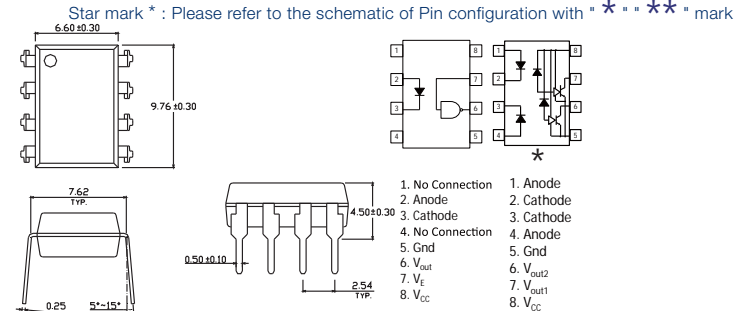
UNIT : mm



Product	Size (LxWxHmm)	tPHL / tPLH (ns)	Supply Voltage (V)	CTR (%)	Viso (V _{rms})	CMR (V/us)	I _O (mA)
6N135	9.76x6.6x3.5	2000 / 2000	30 max.	7~50	5000	1000	8
6N136	9.76x6.6x3.5	1000 / 1000	30 max.	19~50	5000	1000	8
*EL4502	9.76x6.6x3.5	1000 / 1000	30 max.	19~50	5000	1000	8
*EL4503	9.76x6.6x3.5	1000 / 1000	30 max.	19~50	5000	15000	8
*EL4504	9.76x6.6x3.5	400 / 400	30 max.	25~60	5000	15000	8
**EL2530	9.76x6.6x3.5	2000 / 2000	30 max.	7~50	5000	1000	8
**EL2531	9.76x6.6x3.5	1000 / 1000	30 max.	19~50	5000	1000	8



UNIT : mm

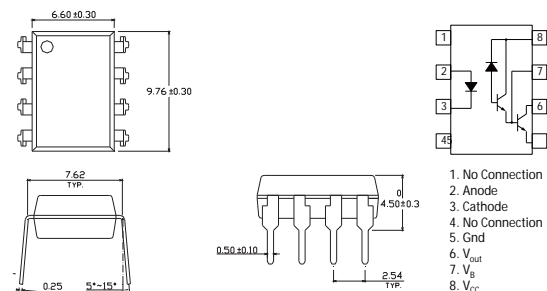


Product	Size (LxWxHmm)	tPHL / tPLH (ns)	Supply Voltage (V)	I _{FT} (mA)	Viso (V _{rms})	CMR (V/us)	I _O (mA)
6N137	9.76x6.6x3.5	75 / 75	7 max.	5	5000	-	50 max.
EL2601	9.76x6.6x3.5	75 / 75	7 max.	5	5000	5000	50 max.
EL2611	9.76x6.6x3.5	75 / 75	7 max.	5	5000	10000	50 max.
EL260L	9.76x6.6x3.5	75 / 75	7 max.	5	5000	10000	50 max.
*EL2630	9.76x6.6x3.5	100 / 100	7 max.	5	5000	5000	50 max.
*EL2631	9.76x6.6x3.5	100 / 100	7 max.	5	5000	10000	50 max.

Star mark * : Please refer to the schematic of Pin configuration with " * * " mark



UNIT : mm

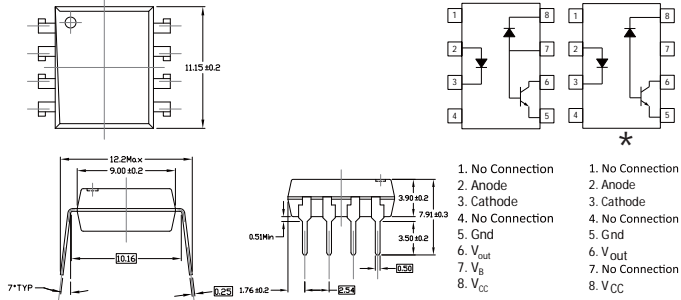


Product	Size (LxWxHmm)	tPHL / tPLH (ns)	Supply Voltage (V)	CTR (%)	Viso (V _{rms})	CMR (V/us)	I _O (mA)
6N138	9.76x6.6x3.5	15000 / 50000	7 max.	300 min.	5000	1000	60 max.
6N139	9.76x6.6x3.5	30000 / 90000	18 max.	500 min.	5000	1000	60 max.

Photo Coupler | High Speed | 8Pin Wide Body DIP-DC



UNIT : mm



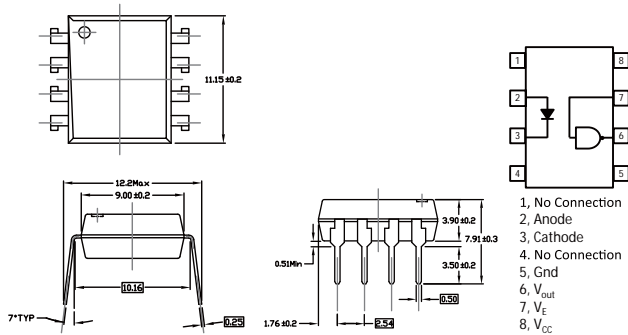
- 1. No Connection
- 2. Anode
- 3. Cathode
- 4. No Connection
- 5. Gnd
- 6. V_{out}
- 7. V_B
- 8. V_{CC}

Product	Size (LxWxHmm)	tPHL / tPLH (ns)	Supply Voltage (V)	CTR (%)	Viso (V_{rms})	CMR (V/us)	I_O (mA)
ELW135	11.15x9x3.9	2000 / 2000	30 max.	7~50	5000	1000	8 max.
ELW136	11.15x9x3.9	1000 / 1000	30 max.	19~50	5000	1000	8 max.
*ELW4503	11.15x9x3.9	1000 / 1000	30 max.	19~50	5000	15000	8 max.

Star mark * : Please refer to the schematic of Pin configuration with " * " mark



UNIT : mm



- 1, No Connection
- 2, Anode
- 3, Cathode
- 4, No Connection
- 5, Gnd
- 6, V_{out}
- 7, V_E
- 8, V_{CC}

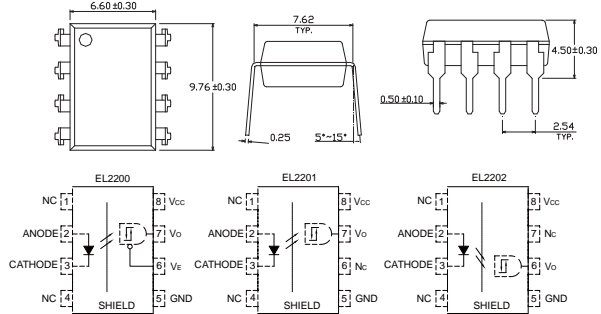
Product	Size (LxWxHmm)	tPHL / tPLH (ns)	Supply Voltage (V)	I_{FT} (mA)	Viso (V_{rms})	CMR (V/us)	I_O (mA)
ELW137	11.15x9x3.9	100 / 100	7 max.	5	5000	-	50 max.
ELW2601	11.15x9x3.9	100 / 100	7 max.	5	5000	5000	50 max.
ELW2611	11.15x9x3.9	100 / 100	7 max.	5	5000	10000	50 max.

Photo Coupler

Photo Coupler | High Speed Low Input Current | 8Pin DIP-DC



UNIT : mm

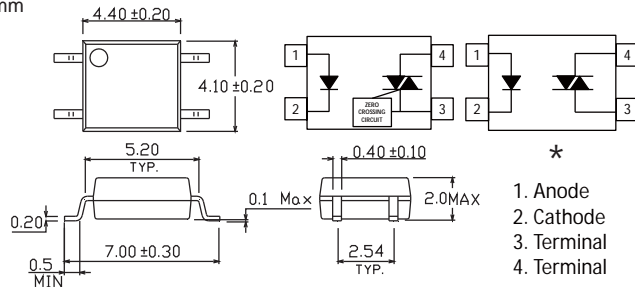


Product	Size (LxWxHmm)	tPHL / tPLH (ns)	Supply Voltage (V)	I _{FT} (mA)	Viso (V _{rms})	CMR (V/us)	I _O (mA)
EL2200	9.76x6.6x3.5	300 / 300	20 max	1.6	5000	1000	25 max
EL2201	9.76x6.6x3.5	300 / 300	20 max	1.6	5000	1000	25 max
EL2202	9.76x6.6x3.5	300 / 300	20 max	1.6	5000	1000	25 max

Photo Coupler | Triac | 4Pin SOP-DC



UNIT : mm



- *
 1. Anode
 2. Cathode
 3. Terminal
 4. Terminal

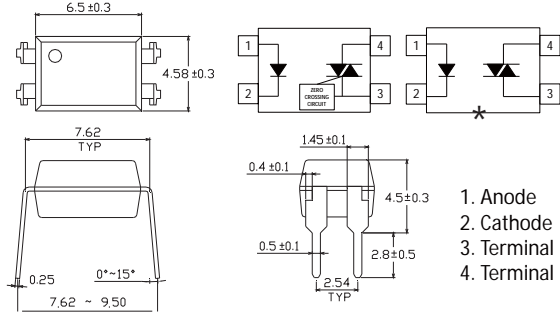
Product	Size (LxWxHmm)	V _{TM} (V)	V _{INH} (V)	V _{DRM} (V)	V _{F_Max} (V)	Viso (V _{rms})	I _{FT} (mA)
ELM3042	4.4x4.1x2	3	20	400	1.5	3750	10
ELM3043	4.4x4.1x2	3	20	400	1.5	3750	5
ELM3044	4.4x4.1x2	3	20	400	1.5	3750	3
ELM3062	4.4x4.1x2	3	20	600	1.5	3750	10
ELM3063	4.4x4.1x2	3	20	600	1.5	3750	5
ELM3064	4.4x4.1x2	3	20	600	1.5	3750	3
ELM3082	4.4x4.1x2	3	20	800	1.5	3750	10
ELM3083	4.4x4.1x2	3	20	800	1.5	3750	5
ELM3084	4.4x4.1x2	3	20	800	1.5	3750	3
*ELM3022	4.4x4.1x2	2.5	--	400	1.2	3750	10
*ELM3023	4.4x4.1x2	2.5	--	400	1.2	3750	5
*ELM3024	4.4x4.1x2	2.5	--	400	1.2	3750	3
*ELM3052	4.4x4.1x2	2.5	--	600	1.2	3750	10
*ELM3053	4.4x4.1x2	2.5	--	600	1.2	3750	5
*ELM3054	4.4x4.1x2	2.5	--	600	1.2	3750	3

Star mark * : Please refer to the schematic of Pin configuration with * * mark

Photo Coupler | Triac | 4Pin DIP-DC



UNIT : mm



Product	Size (LxWxHmm)	V _{TM} (V)	V _{INH} (V)	V _{DRM} (V)	V _{F_Max} (V)	V _{iso} (V _{rms})	I _{FT} (mA)
ELT3041	6.5x4.58x3.5	3	20	400	1.5	5000	15
ELT3042	6.5x4.58x3.5	3	20	400	1.5	5000	10
ELT3043	6.5x4.58x3.5	3	20	400	1.5	5000	5
ELT3061	6.5x4.58x3.5	3	20	600	1.5	5000	15
ELT3062	6.5x4.58x3.5	3	20	600	1.5	5000	10
ELT3063	6.5x4.58x3.5	3	20	600	1.5	5000	5
ELT3081	6.5x4.58x3.5	3	20	800	1.5	5000	15
ELT3082	6.5x4.58x3.5	3	20	800	1.5	5000	10
ELT3083	6.5x4.58x3.5	3	20	800	1.5	5000	5
*ELT3021	6.5x4.58x3.5	2.5	-	400	1.2	5000	15
*ELT3022	6.5x4.58x3.5	2.5	-	400	1.2	5000	10
*ELT3023	6.5x4.58x3.5	2.5	-	400	1.2	5000	5
*ELT3051	6.5x4.58x3.5	2.5	-	600	1.2	5000	15
*ELT3052	6.5x4.58x3.5	2.5	-	600	1.2	5000	10
*ELT3053	6.5x4.58x3.5	2.5	-	600	1.2	5000	5

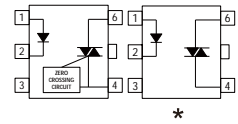
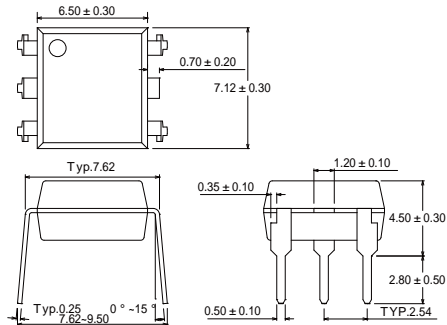
Star mark * : Please refer to the schematic of Pin configuration with " * " mark

Photo Coupler

Photo Coupler | Triac | 5Pin DIP-DC



UNIT : mm



*

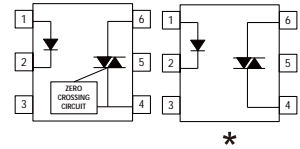
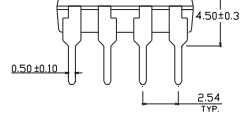
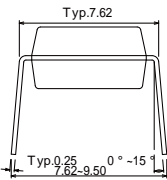
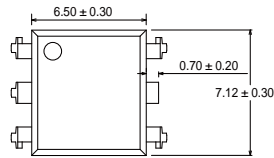
- 1. Anode
- 2. Cathode
- 3. No Connection
- 4. Terminal
- 5. Pin Cut
- 6. Terminal

Product	Size (LxWxHmm)	V_{TM} (V)	V_{INH} (V)	V_{DRM} (V)	V_{F_Typ} (V)	Viso (V_{rms})	I_{FT} (mA)
EL3031(P5)	7.12x6.5x3.5	3	20	250	--	5000	15
EL3032(P5)	7.12x6.5x3.5	3	20	250	--	5000	10
EL3033(P5)	7.12x6.5x3.5	3	20	250	--	5000	5
EL3041(P5)	7.12x6.5x3.5	3	20	400	--	5000	15
EL3042(P5)	7.12x6.5x3.5	3	20	400	--	5000	10
EL3043(P5)	7.12x6.5x3.5	3	20	400	--	5000	5
EL3061(P5)	7.12x6.5x3.5	3	20	600	--	5000	15
EL3062(P5)	7.12x6.5x3.5	3	20	600	--	5000	10
EL3063(P5)	7.12x6.5x3.5	3	20	600	--	5000	5
EL3081(P5)	7.12x6.5x3.5	3	20	800	--	5000	15
EL3082(P5)	7.12x6.5x3.5	3	20	800	--	5000	10
EL3083(P5)	7.12x6.5x3.5	3	20	800	--	5000	5
*EL3010(P5)	7.12x6.5x3.5	2.5	--	250	1.18	5000	15
*EL3011(P5)	7.12x6.5x3.5	2.5	--	250	1.18	5000	10
*EL3012(P5)	7.12x6.5x3.5	2.5	--	250	1.18	5000	5
*EL3021(P5)	7.12x6.5x3.5	2.5	--	400	1.18	5000	15
*EL3022(P5)	7.12x6.5x3.5	2.5	--	400	1.18	5000	10
*EL3023(P5)	7.12x6.5x3.5	2.5	--	400	1.18	5000	5
*EL3051(P5)	7.12x6.5x3.5	2.5	--	600	1.18	5000	15
*EL3052(P5)	7.12x6.5x3.5	2.5	--	600	1.18	5000	10
*EL3053(P5)	7.12x6.5x3.5	2.5	--	600	1.18	5000	5

Photo Coupler | Triac | 6Pin DIP-DC



UNIT : mm



- 1. Anode
- 2. Cathode
- 3. No Connection
- 4. Terminal
- 5. Substrate (do not connect)
- 6. Terminal

Product	Size (LxWxHmm)	V _{TM} (V)	V _{INH} (V)	V _{DRM} (V)	V _{F-Typ} (V)	Viso (V _{rms})	I _{FT} (mA)
EL3031	7.12x6.5x3.5	3	20	250	--	5000	15
EL3032	7.12x6.5x3.5	3	20	250	--	5000	10
EL3033	7.12x6.5x3.5	3	20	250	--	5000	5
EL3041	7.12x6.5x3.5	3	20	400	--	5000	15
EL3042	7.12x6.5x3.5	3	20	400	--	5000	10
EL3043	7.12x6.5x3.5	3	20	400	--	5000	5
EL3061	7.12x6.5x3.5	3	20	600	--	5000	15
EL3062	7.12x6.5x3.5	3	20	600	--	5000	10
EL3063	7.12x6.5x3.5	3	20	600	--	5000	5
EL3081	7.12x6.5x3.5	3	20	800	--	5000	15
EL3082	7.12x6.5x3.5	3	20	800	--	5000	10
EL3083	7.12x6.5x3.5	3	20	800	--	5000	5
*EL3010	7.12x6.5x3.5	2.5	--	250	1.18	5000	15
*EL3011	7.12x6.5x3.5	2.5	--	250	1.18	5000	10
*EL3012	7.12x6.5x3.5	2.5	--	250	1.18	5000	5
*EL3021	7.12x6.5x3.5	2.5	--	400	1.18	5000	15
*EL3022	7.12x6.5x3.5	2.5	--	400	1.18	5000	10
*EL3023	7.12x6.5x3.5	2.5	--	400	1.18	5000	5
*EL3051	7.12x6.5x3.5	2.5	--	600	1.18	5000	15
*EL3052	7.12x6.5x3.5	2.5	--	600	1.18	5000	10
*EL3053	7.12x6.5x3.5	2.5	--	600	1.18	5000	5

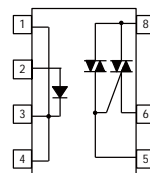
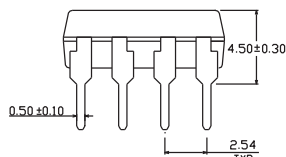
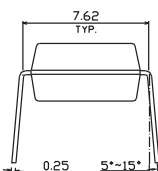
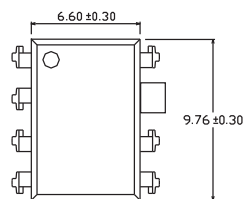
Star mark * : Please refer to the schematic of Pin configuration with " * " mark

Photo Coupler

Photo Coupler | Photo Power Triac | 7pin DIP-DC



UNIT : mm



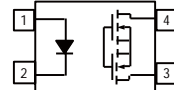
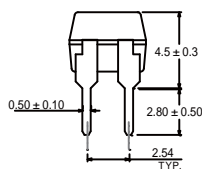
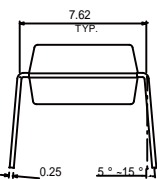
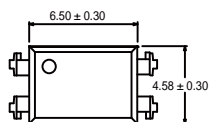
- 2. Anode
- 1, 3, 4. Cathode
- 5. Triac Gate
- 6. Triac T1
- 8. Triac T2

Product	Size (LxWxHmm)	IT(rms) (A)	VDRM (V)	ITSM(A)	VTM (V)	Viso (Vrms)	IFT (mA)
ELR0223	9.76x6.5x3.5	0.3	600V	3	2.5	5000	10
ELR1223	9.76x6.5x3.5	0.6	600V	6	2.5	5000	10
ELR2223	9.76x6.5x3.5	0.9	600V	9	2.5	5000	10
ELR3223	9.76x6.5x3.5	1.2	600V	12	2.5	5000	10

Photo Coupler | Solid State Relay | 4Pin DIP-DC



UNIT : mm



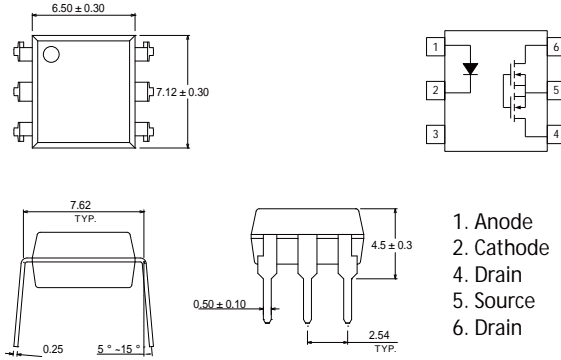
- 1. Anode
- 2. Cathode
- 3,4. Drain

Product	Size (LxWxHmm)	Output type	Load Voltage (V)	Load Current (mA)	Ron Typ.(Ω)	Ifon max. (mA)	Viso (Vrms)
EL406A	6.5x4.58x3.5	Normally Open 1 Form A	60	550	0.75	5	5000
EL425A	6.5x4.58x3.5	Normally Open 1 Form A	250	180	6.5	5	5000
EL440A	6.5x4.58x3.5	Normally Open 1 Form A	400	120	20	5	5000
EL460A	6.5x4.58x3.5	Normally Open 1 Form A	600	50	40	5	5000

Photo Coupler | Solid State Relay | 6Pin DIP-DC



UNIT : mm

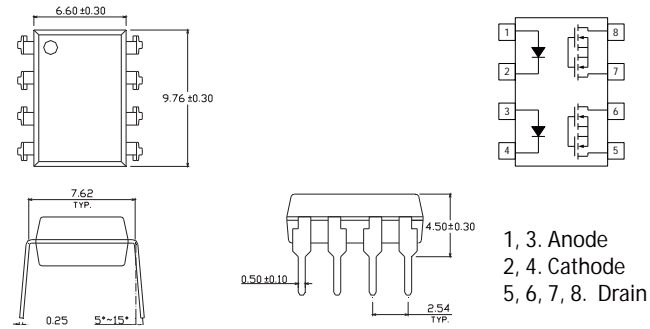


Product	Size (LxWxHmm)	Output type	Load Voltage (V)	Load Current (mA)	Ron Typ.(Ω)	Ifon max. (mA)	Viso (Vrms)
EL606A	7.12x6.5x3.5	Normally Open 1 Form A	60	550	0.75	3	5000
EL625A	7.12x6.5x3.5	Normally Open 1 Form A	250	180	6.5	3	5000
EL640A	7.12x6.5x3.5	Normally Open 1 Form A	400	120	20	3	5000
EL660A	7.12x6.5x3.5	Normally Open 1 Form A	600	50	40	3	5000

Photo Coupler | Solid State Relay | 8Pin DIP-DC



UNIT : mm



Product	Size (LxWxHmm)	Output type	Load Voltage (V)	Load Current (mA)	Ron Typ.(Ω)	Ifon max. (mA)	Viso (Vrms)
EL840A	9.76x6.5x3.5	Normally Open 2 Form A	400	120	20	5	5000
EL860A	9.76x6.5x3.5	Normally Open 2 Form A	600	50	40	5	5000

Notice

The content of this Catalogue is provided for informational purposes only. EVERLIGHT makes no representations about the accuracy, reliability, completeness of the information in this catalogue. EVERLIGHT may, at its sole discretion, revise the specifications, appearance, structures and materials herein without notice for the purpose of improvement. Please contact EVERLIGHT sales should you require more information on a product or its application.

This Catalogue does not contain any guarantee or agreed quality of EVERLIGHT's products or any warranty of merchantability, intellectual property, and fitness for a particular purpose. EVERLIGHT's obligation and responsibilities regarding its products are governed solely by the agreements under which they are sold. Unless otherwise agreed in writing, the information contained herein does not become part of the agreements.

The trademarks and logos ("Trademarks") displayed in this Catalogue are the property of EVERLIGHT and/or its affiliates. Nothing in this Catalogue should be construed as granting any licenses or right to the Trademarks. Without the express written consent of EVERLIGHT, the use of the Trademarks is prohibited.

All text, images, graphics and other materials contained in this Catalogue are subject to the copyright and other intellectual property rights of EVERLIGHT and/or its affiliates.

Structure and materials incorporated in LED packages may change according to customer's requests. Any LED package incorporating β -SiAlON phosphor are licensed by NIMS on the following Patents, Patent Publications and Patent Applications: Patent No. 3975451 (Japan), Patent No. 7,678,294 (US), Patent No. I-299055 (Taiwan), Patent No. ZL200580000742.3 (China), Patent Application No. 12/096,601 (US), Patent Application No. 2007-549180 (Japan), Patent Publication No. DE1 12005000044T5 (Germany), Patent Publication No.10-2007-0021140 (Korea), and Patent Publication No. EP1964905 (Europe).

EVERLIGHT

ASIA**CHINA****CHINA, HONG KONG**

EVERLIGHT ELECTRONICS CO., LTD.
Units 1606-1610, 16/F., Prosperity Place,
6 Shing Yip Street, Kwun Tong, Kowloon,
Hong Kong
TEL: +852-2388-0602
FAX: +852-2388-1127, 2384-3092

CHINA, SHENZHEN

EVERLIGHT ELECTRONICS CO., LTD.
Room 1101-1102, 3A Building ,Period 1 ,
Tian An Cloud Park ,NO.2018,Xuegang Rd.,
Bantian Sub-District, LongGang District,
Shenzhen City, Guangdong Province, China
Postcode: 518010
TEL: +86-0755-2163-8620
FAX: +86-0755-2163-8764

CHINA, GUANGZHOU

EVERLIGHT ELECTRONICS CO., LTD.
1501 15 F1.,No.266 Xi Huan Road,
Sha Tou Street, Panyu District,
Guangzhou, China
Postcode: 511400
TEL: +86-(0)20-8466-3392
FAX: +86-(0)20-8466-3372

CHINA, SUZHOU

EVERLIGHT ELECTRONICS CO., LTD.
5F, Wanrong International Building,
NO. 3158, Renmin Rd., Gusu Dist., Suzhou City,
Jiangsu Province, P.R. China
Postcode: 215011
TEL: +86-(0)512-8860-5888

CHINA, TIANJIN

EVERLIGHT ELECTRONICS CO., LTD
Room 505,Michael kuan in the valley of
e Imagination world, No 37, Nankai Three Road,
Nankai District,TianJin,China
Postcode: 300100
TEL: +86-22-2635-1122, 2635-1133

KOREA

EVERLIGHT OPTOELECTRONICS
KOREA CO., LTD.
7F S706-1 Garden 5 Works Choongmin Rd52.,
Songpa-gu, Seoul, KOREA.
TEL: +82-2-2047-3960
FAX: +82-2-2047-3961
EMAIL: terrychoi@everlightkorea.com

JAPAN, TOKYO

EVERLIGHT JAPAN CORPORATION
4F MITA SUN BLDG., 1-3-35 MITA,
MINATO-KU, TOKYO, 108-0073, JAPAN
TEL: +81-3-5439-9296
FAX: +81-3-5439-9288
EMAIL: elj@everlight.com

JAPAN, KYOTO

EVERLIGHT JAPAN CORPORATION
7F, MITSUISEIMEI KYOTO YAMASHINA BLDG.
46-1, TAKEHANADOUNOMAECCHOU,
YAMASHINA KU, KYOTO, 607-8085, JAPAN
TEL: +81-75-584-6070
FAX: +81-75-584-6080
EMAIL: elj@everlight.com

INDIA, NEW DELHI

EVERLIGHT ELECTRONICS INDIA PRIVATE LTD.
Building Name : I-THUM
Office No 407A, 4th Floor
A-40, Sec-62, Noida-201309
Mobile: +91-981-1831442
EMAIL: salesindia@everlight.com

MALAYSIA

EVERLIGHT OPTOELECTRONICS(M) SDN BHD
B-04-20 Krystal Point,
303 Jalan Sultan Azlan Shah,
11900 Penang, Malaysia
TEL: +60-4-646-4233
FAX: +60-4-646-5233
EMAIL: inquiry@everlight-pg.com.my

SINGAPORE

EVERLIGHT ELECTRONICS SINGAPORE PTE LTD
66 Tannery Lane #01-03M,
SINDO Building, Singapore 347805
TEL:+65-6747-7937
EMAIL: contact@everlight.com.sg

AMERICA**TEXAS USA**

EVERLIGHT AMERICAS INC.
3220 Commander Drive, Suite 100
Carrollton,Texas, 75006, United States
TEL: +1-972-490-4008
FAX: +1-972-490-5009
EMAIL: salesmarketing@everlightamericas.com

CALIFORNIA USA

EVERLIGHT AMERICAS INC.
4237 East Airport Dr.
Ontario, California 91761, United States
TEL: +1-909-937-6070
FAX: +1-909-937-7619
EMAIL: salesmarketing@everlightamericas.com

SAN JOSE USA

EVERLIGHT AMERICAS INC.
960 Saratoga Ave., Suite 112,
San Jose, California, 95129, United States
TEL: +1-408-816-7548
FAX: +1-408-816-7569
EMAIL: salesmarketing@everlightamericas.com

EUROPE**GERMANY, KARLSRUHE**

EVERLIGHT ELECTRONICS EUROPE GMBH
Siemensallee 84, Building 7302, 5F
76187 Karlsruhe, Germany
TEL: +49-721-82447-3
FAX: +49-721-82447-40
EMAIL: info@everlight-eu.de

全国免费电话 : 400-6258-289

HEADQUARTERS

No. 6-8, Zhonghua Rd., Shulin Dist., New Taipei City, Taiwan 23860
TEL: +886-2-2685-6688 FAX: +886-2-2685-6699

www.everlight.com