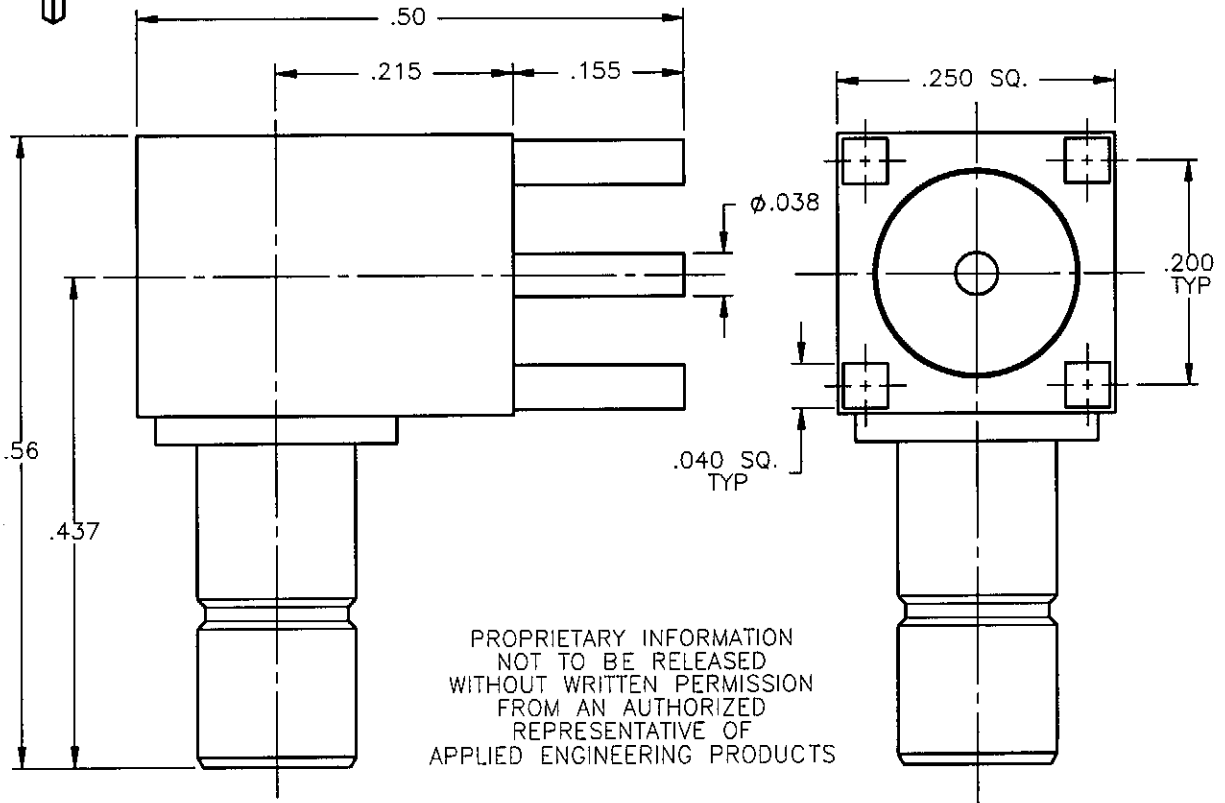


REVISIONS			
REV.	DESCRIPTION	DATE	APPROVED
A	ECO #6874	10/10/07	A.D.M.



PROPRIETARY INFORMATION
 NOT TO BE RELEASED
 WITHOUT WRITTEN PERMISSION
 FROM AN AUTHORIZED
 REPRESENTATIVE OF
 APPLIED ENGINEERING PRODUCTS


NOTES:

MATERIALS:

1. INSULATORS = VIRGIN WHITE TEFLON PER ASTM D1710, GRADE 1, TYPE I, CLASS "B".
2. ALL OTHER METAL PARTS = BRASS PER ASTM B16, ALLOY C36000, TEMPER H02.

FINISHES:

1. CONTACTS = GOLD PLATE PER MIL-G-45204, TYPE II, CLASS 1, GRADE C, OVER .00010 TO .00020 STRESS FREE SULFAMATE NICKEL PER QQ-N-290.
2. ALL OTHER METAL PARTS = GOLD PLATE PER MIL-G-45204, TYPE II, CLASS 0, GRADE C, OVER .00010 TO .00020 COPPER STRIKE PER MIL-C-14550.

UNLESS OTHERWISE SPECIFIED DIMENSIONS ARE IN INCHES TOLERANCES ON	DWN:	DATE	 APPLIED ENGINEERING PRODUCTS 104 John W. Murphy Dr. New Haven, CT 06513 <i>a RADIALL company</i>		
	A.D.M.	10/10/07			
DECIMAL	ANGLE	CHKD:	SMB RIGHT ANGLE MALE JACK P.C.B. MOUNT RECEPTACLE		
		D.N.			
		APVD:	DATE	SIZE	FSCM NO.
		J.M.	10/10/07	A	19505
REFERENCE:	MATERIALS & FINISHES:		DWG NO.	REV	
ORIGINATED: M.MAGDA DATE: 03/01/83	SEE NOTES		2010-1511-002	A	
			SCALE 6:1	THIRD ANGLE PROJECTION	SHEET 1 OF 1

2010-1511-002