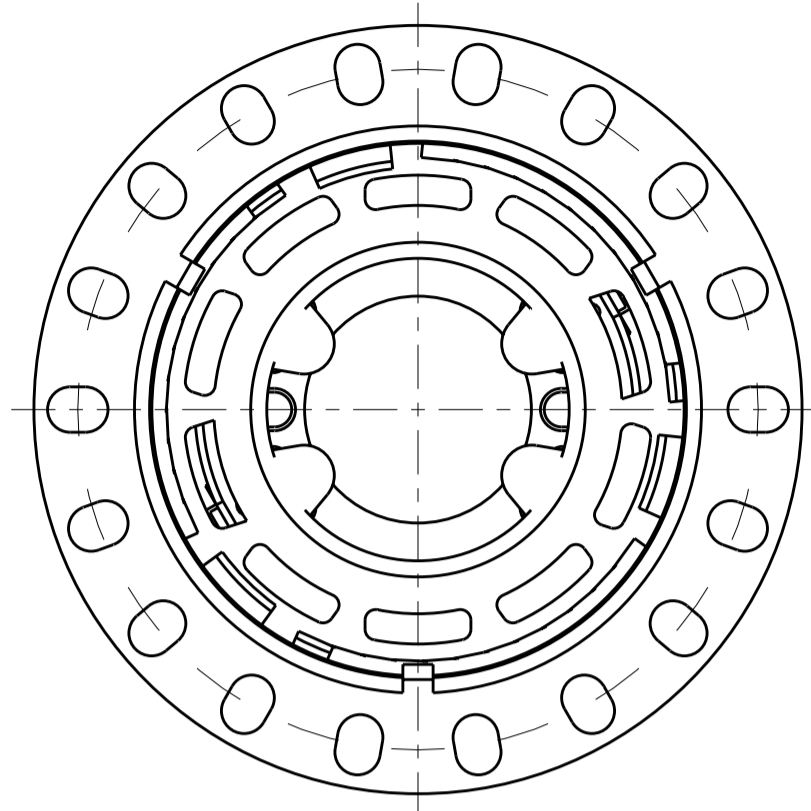
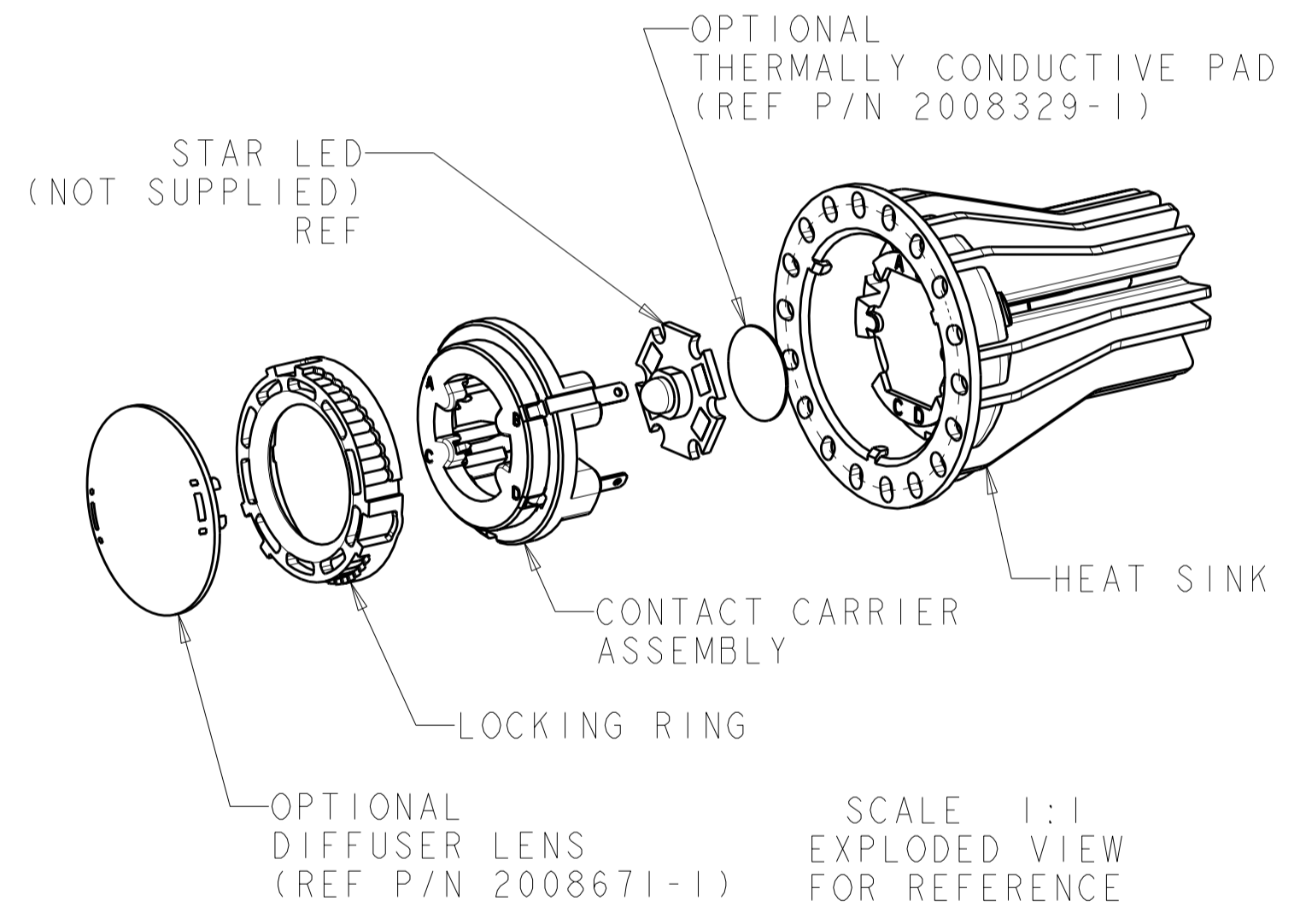
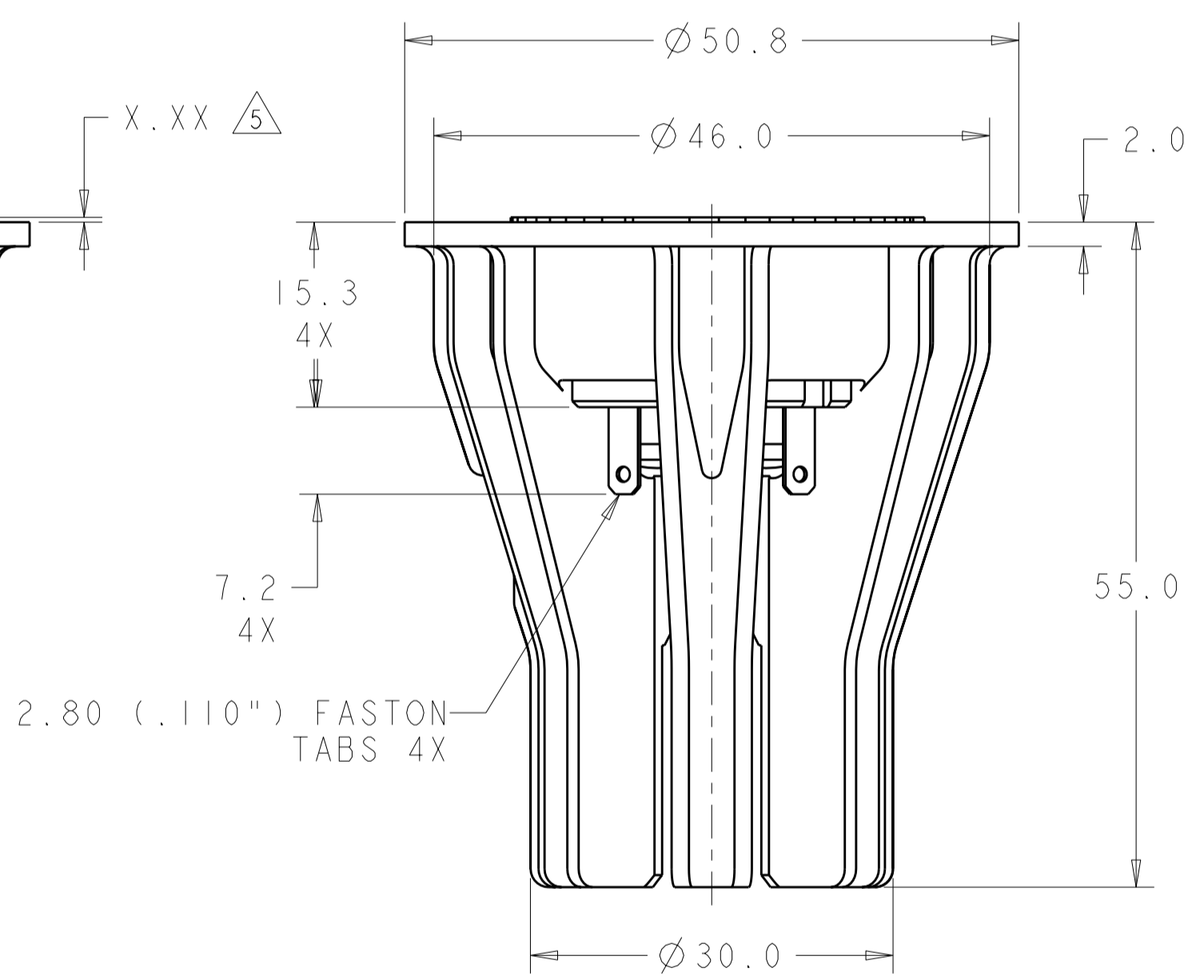
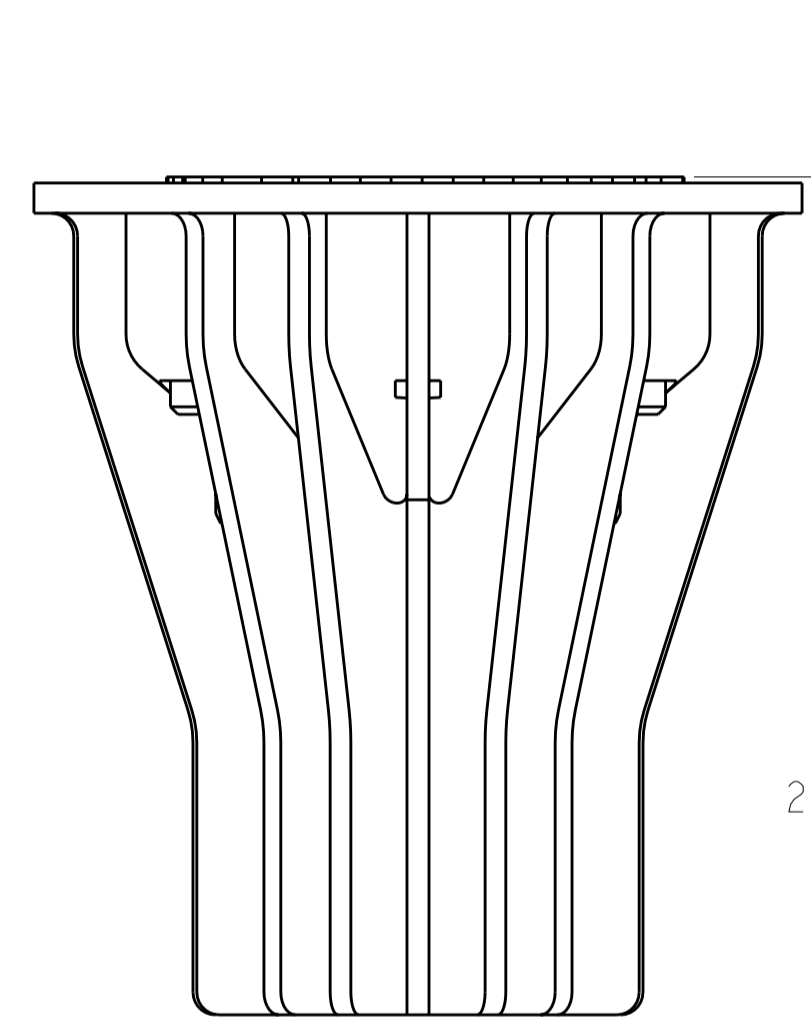


THIS DRAWING IS UNPUBLISHED. RELEASED FOR PUBLICATION 20
 © COPYRIGHT 20 BY TYCO ELECTRONICS CORPORATION. ALL RIGHTS RESERVED.

LOC		DIST		REVISIONS			
P	LTR	DESCRIPTION	DATE	DWN	APVD		
1		PROPOSED	19NOV2007	CD	CG		
2		ADDED -2 WITH LENS	18DEC2007	CD	CG		
3		ADDED -3 AND -4 WITH THERM. COND. PAD	12MAY2008	RB	CG		
4		REMOVED -2 THRU -4 P/Ns	27JUN2008	RB	CG		



- 1 CONTACT CARRIER AND LOCKING RING COMES UNASSEMBLED
- 2 MATERIALS AND FINISH:
 -CONTACT CARRIER: PBT
 -LOCKING RING: PBT
 -CONTACTS: COPPER ALLOY, FINISH: TIN
 -HEAT SINK: CAST ALUMINUM
- 3. MUST COMPLY WITH DIRECTIVE 2002/95/EC (ROHS)
- 4. THIS PRODUCT HAS NOT COMPLETED VALIDATION TESTING
- 5 THIS DIMENSION IS DEPENDANT ON STAR BOARD/THERMAL PAD THICKNESS RANGE



TYCO ELECTRONICS
 CONFIDENTIAL
 AND PROPRIETARY

PROPOSED DESIGN

NOT PRODUCTION TOOLED

DESIGN IS SUBJECT TO
 CHANGE WITHOUT NOTICE

AS SHOWN	2008675-1
DESCRIPTION	PART NO.

THIS DRAWING IS A CONTROLLED DOCUMENT FOR TYCO ELECTRONICS CORPORATION. IT IS SUBJECT TO CHANGE AND THE CONTROLLING ENGINEERING ORGANIZATION SHOULD BE CONTACTED FOR THE LATEST REVISION.		DWN C. DAILY 02APR2007	Tyco Electronics Harrisburg, PA 17105-3608	
DIMENSIONS: mm		CHK C. GINGRICH 02APR2007	NAME ASSEMBLY, LED STAR-BOARD HOLDER WITH HEAT SINK LOCKING RING	
TOLERANCES UNLESS OTHERWISE SPECIFIED: 0 PLC ± 1 PLC ±0.2 2 PLC ±0.15 3 PLC ± 4 PLC ± ANGLES ±° FINISH		APVD -	PRODUCT SPEC -	RESTRICTED TO -
MATERIAL		APPLICATION SPEC -	WEIGHT -	SIZE A200779
		CUSTOMER DRAWING	SCALE 2:1	DRAWING NO C-2008675
			SHEET 1 OF 1	REV 4