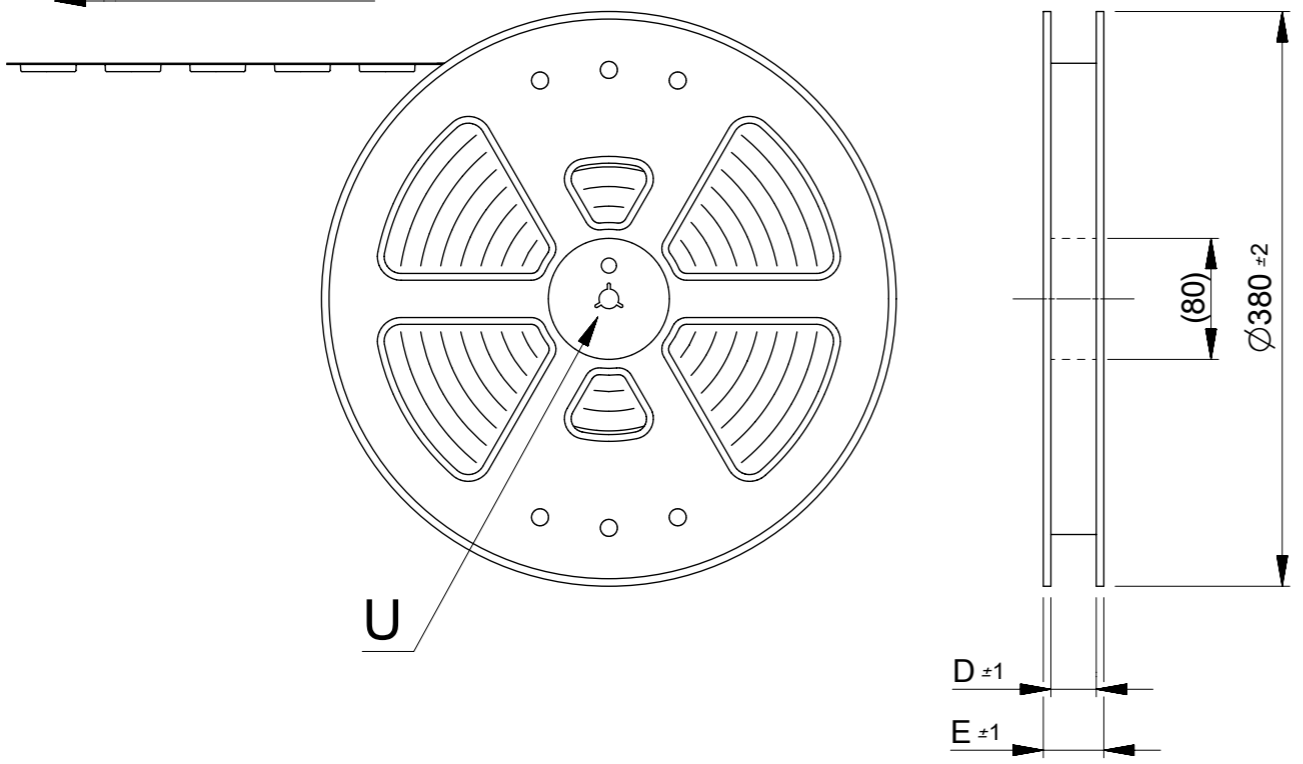
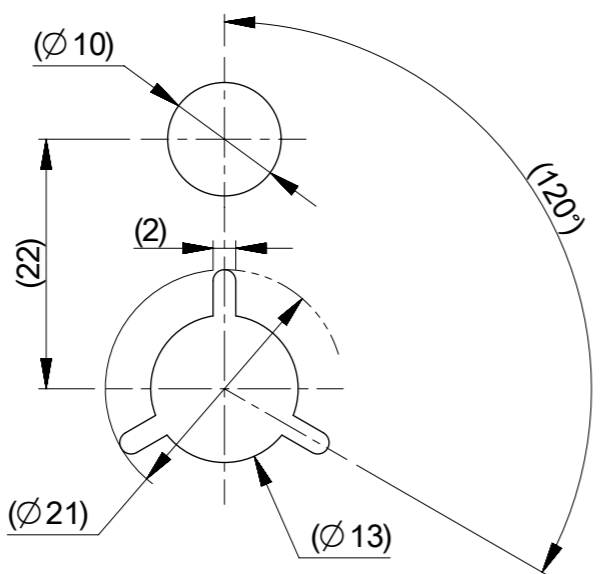


引き出し方向  
PULL DIRECTION



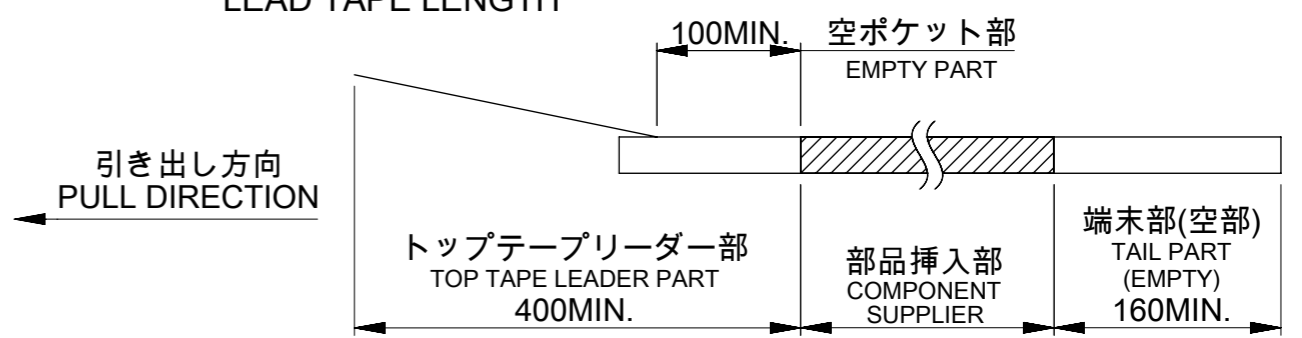
U



DETAIL U

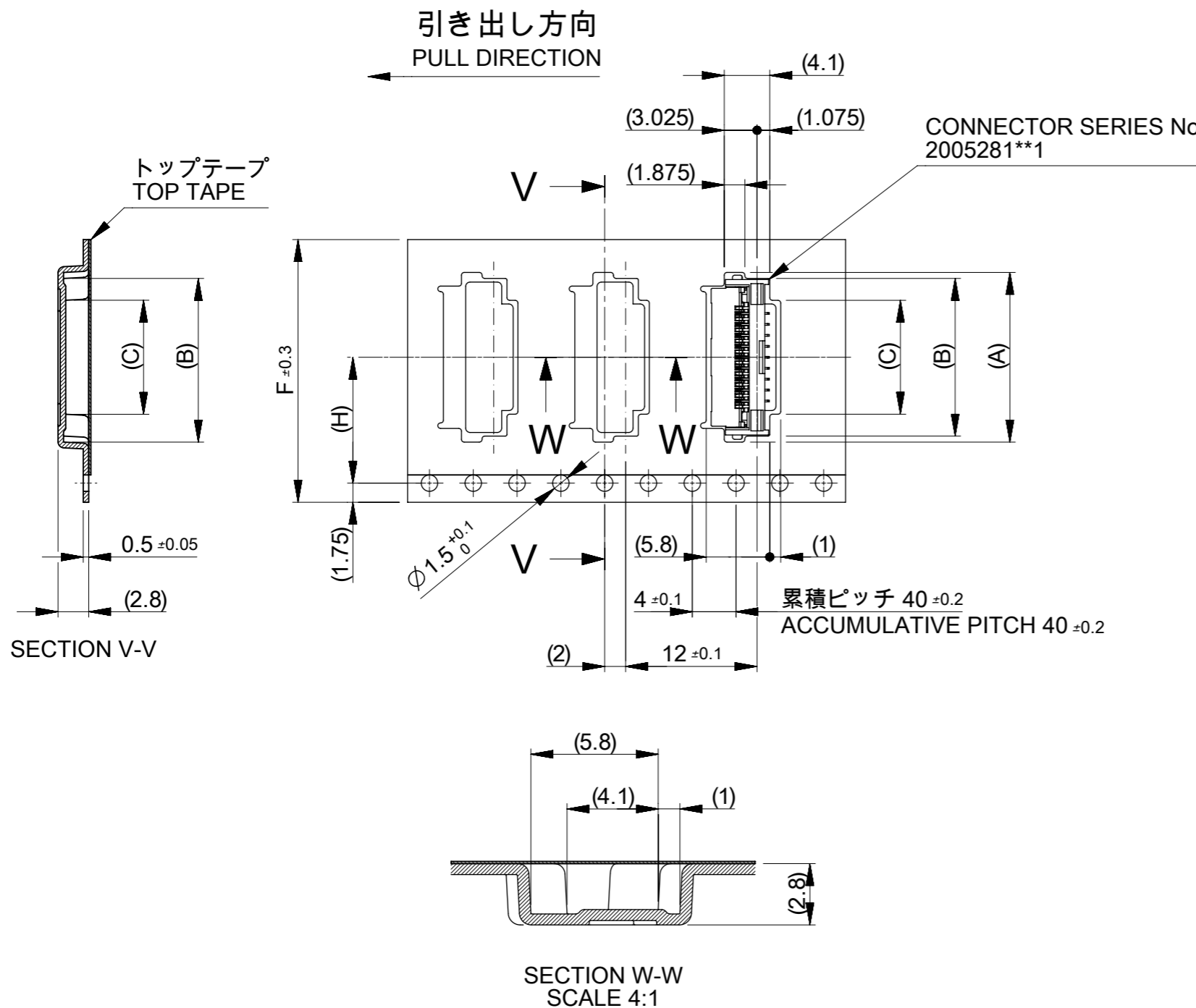
NOTES

- 梱包数量 : 3000個 / リール  
NUMBER OF CONNECTORS : 3000 PCS/REEL.
- リードテープ長さ  
LEAD TAPE LENGTH



- カバーテープの剥離強度については、IEC60286-3に準拠。  
COVER TAPE PEEL FORCE IS DEFINED BY IEC 60286-3.
- 製品詳細寸法については、図面 2005281001-SD を参照下さい。  
DIMENSIONS OF PRODUCT, REFER TO 2005281001-SD.
- 材料 MATERIAL  
 キャリアテープ : ポリスチレン  
 トップテープ : ポリエチレンテレフタレート、ポリエチレン  
 リール : ポリスチレン<リサイクル材を含む>  
 CARRIER TAPE : POLYSTYRENE  
 TOP TAPE : POLYETHYLENE TEREPHTHALATE, POLYETHYLENE  
 REEL : POLYSTYRENE < RECYCLE MATERIAL CONTAINED >

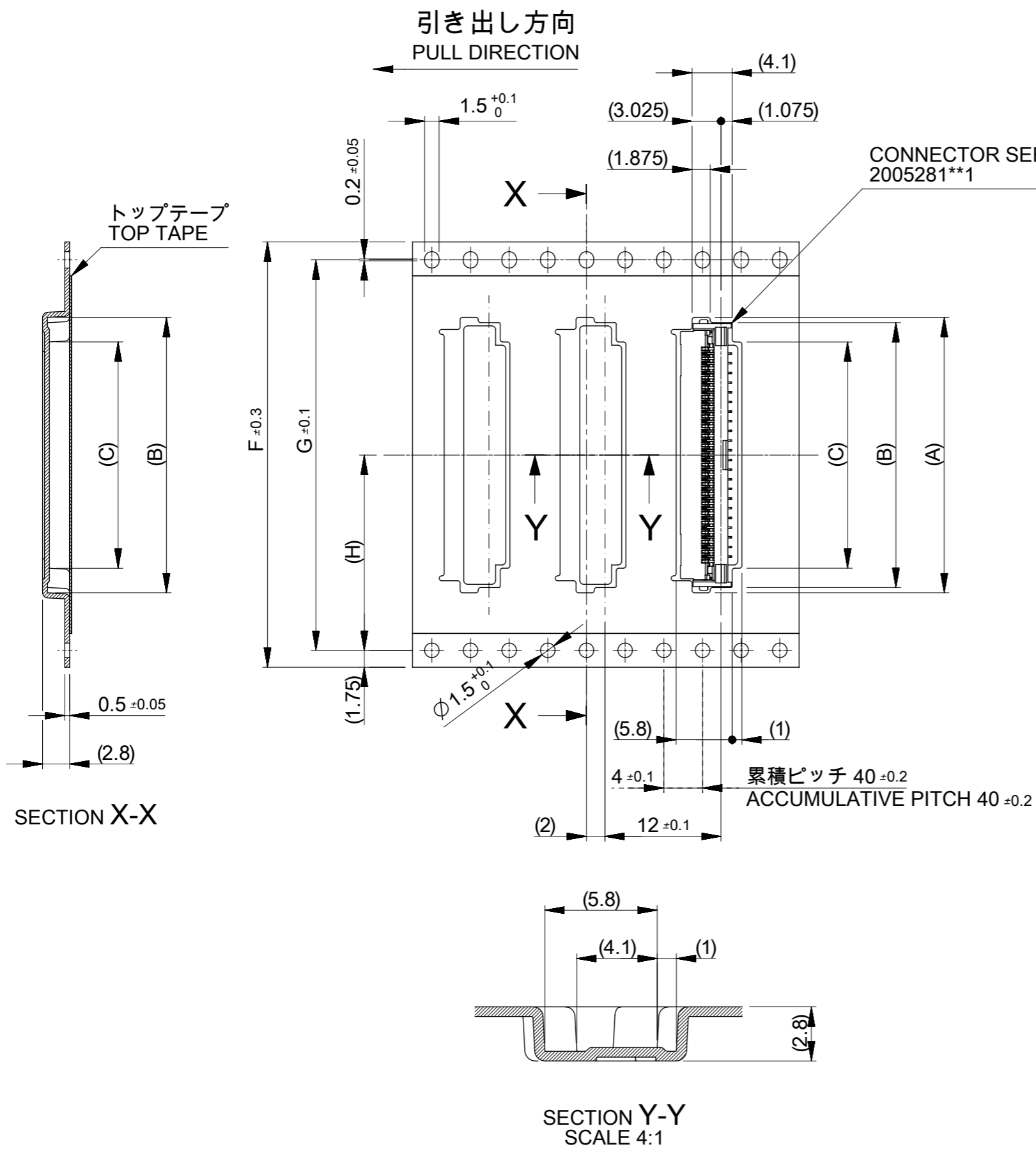
THIS DRAWING CONTAINS INFORMATION THAT IS PROPRIETARY TO MOLEX ELECTRONIC TECHNOLOGIES, LLC AND SHOULD NOT BE USED WITHOUT WRITTEN PERMISSION									
DIMENSION UNITS mm		SCALE 2:1		CURRENT REV DESC:				<b>molex</b>	
GENERAL TOLERANCES (UNLESS SPECIFIED)				EC NO: 605694					
ANGULAR TOL ± 3.0°				DRWN: JASANUMA 2018/10/10				1.0 FPC ZIF 2 CONT EMBT PKG	
4 PLACES ± 0.2				CHK'D: TRSUZUKI 2018/10/11				PRODUCT CUSTOMER DRAWING	
3 PLACES ± 0.2				APPR: RTAKEUCHI 2018/10/11				DOCUMENT NUMBER	
2 PLACES ± 0.2				INITIAL REVISION:				2005280001-SD	
1 PLACE ± 0.25				DRWN: JASANUMA 2018/10/05				DOC TYPE	
0 PLACES ± 0.3				APPR: RTAKEUCHI 2018/10/10				PSD	
DRAFT WHERE APPLICABLE MUST REMAIN WITHIN DIMENSIONS		THIRD ANGLE PROJECTION		DRAWING		SERIES		SHEET NUMBER	
		A3-SIZE		200528		SEE CHART		1 OF 3	



11.5	----	24	29.4	25.4	10.4	14.4	15.5	2005280091	9
					9.4	13.4	14.5	2005280081	8
					8.4	12.4	13.5	2005280071	7
					7.4	11.4	12.5	2005280061	6
					6.4	10.4	11.5	2005280051	5
					5.4	9.4	10.5	2005280041	4
H	G	F	E	D	C	B	A	EMBOSSED PACKAGE	Ckt
オーダー番号 ORDER No.									

THIS DRAWING CONTAINS INFORMATION THAT IS PROPRIETARY TO MOLEX ELECTRONIC TECHNOLOGIES, LLC AND SHOULD NOT BE USED WITHOUT WRITTEN PERMISSION

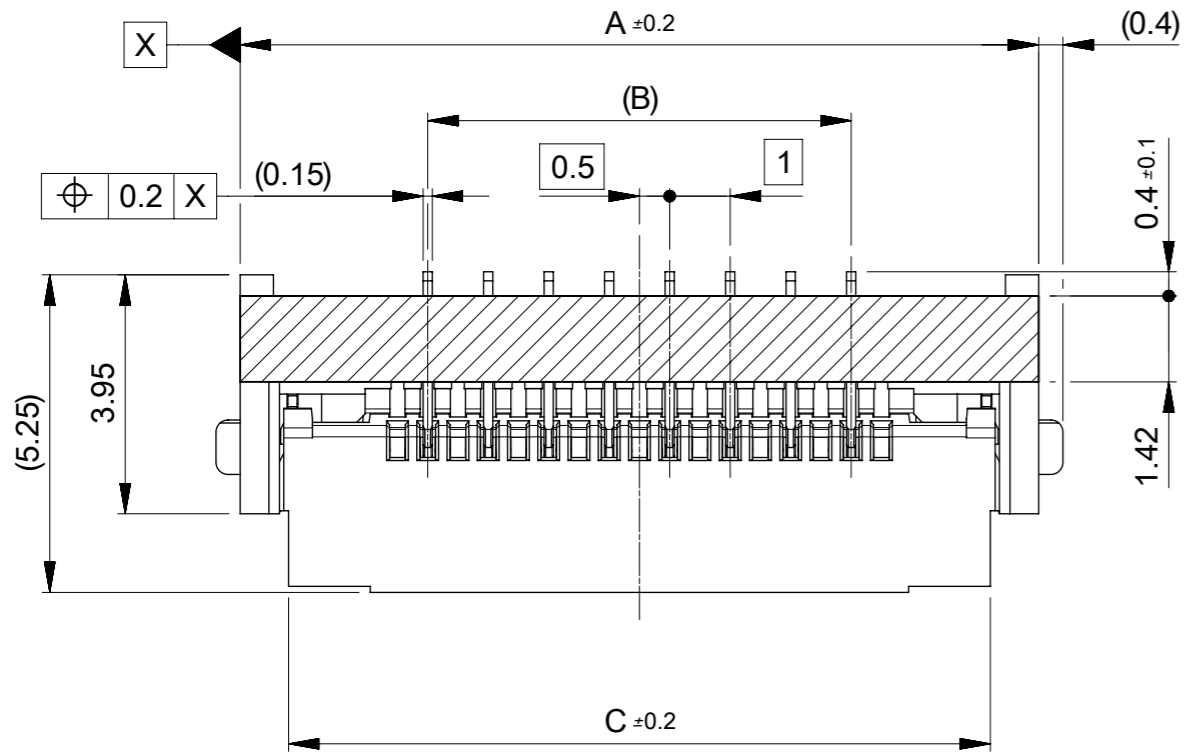
DIMENSION UNITS mm	SCALE 2:1	CURRENT REV DESC:			<b>molex</b>			
GENERAL TOLERANCES (UNLESS SPECIFIED)		EC NO: 605694						
ANGULAR TOL	± 3.0 °	DRWN: JASANUMA 2018/10/10			PRODUCT CUSTOMER DRAWING			
4 PLACES	± 0.2	CHK'D: TRSUZUKI 2018/10/11			DOCUMENT NUMBER			
3 PLACES	± 0.2	APPR: RTAKEUCHI 2018/10/11			2005280001-SD			
2 PLACES	± 0.2	INITIAL REVISION:			DOC TYPE			
1 PLACE	± 0.25	DRWN: JASANUMA 2018/10/05			PSD			
0 PLACES	± 0.3	APPR: RTAKEUCHI 2018/10/10			DOC PART			
DRAFT WHERE APPLICABLE MUST REMAIN WITHIN DIMENSIONS		THIRD ANGLE PROJECTION		DRAWING	SERIES	MATERIAL NUMBER	CUSTOMER	REVISION
		A3-SIZE		200528	SEE CHART			B
								2 OF 3



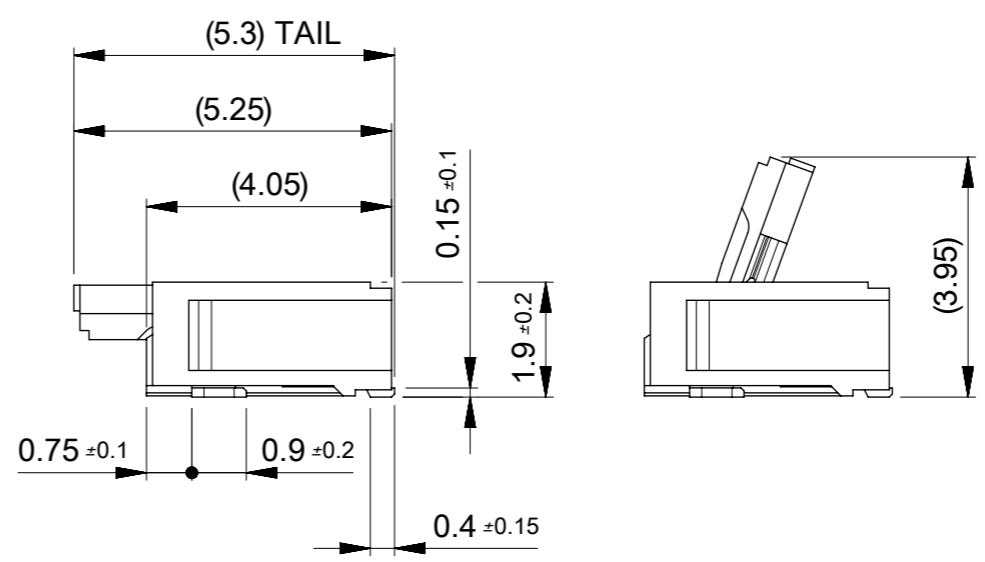
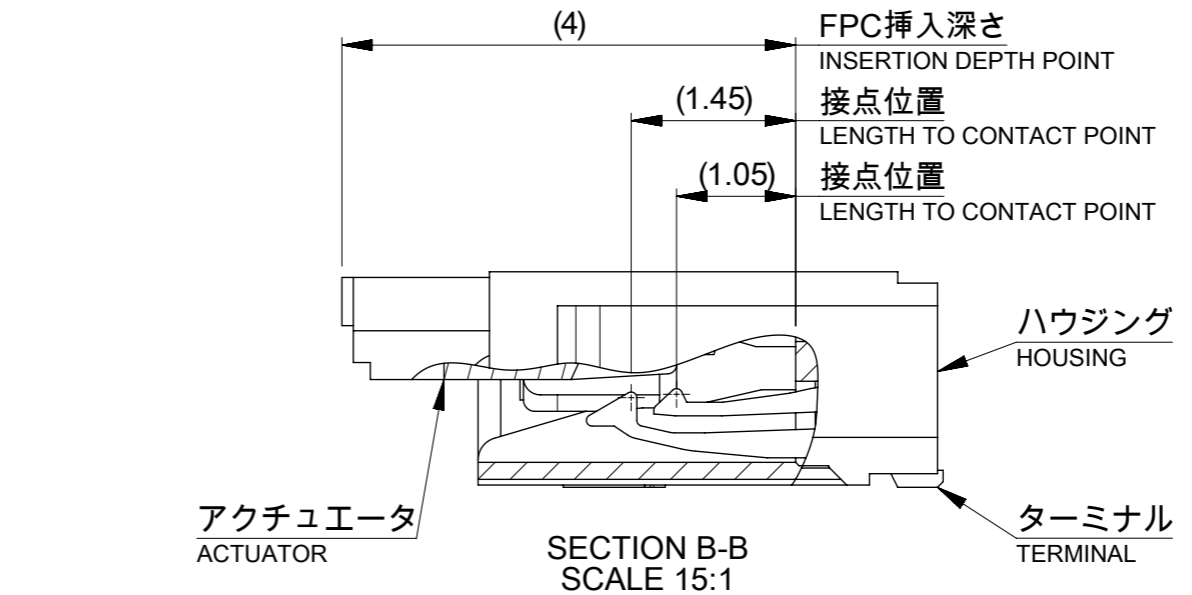
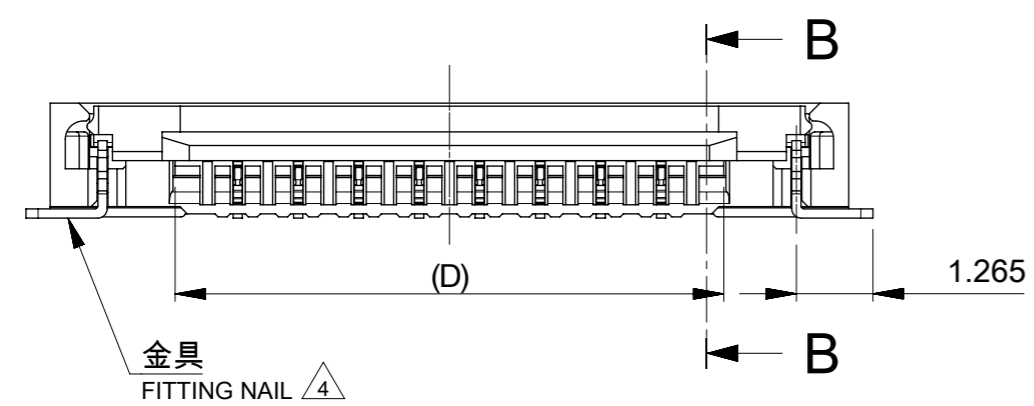
26.2	52.4	56	61.4	57.4	31.4	35.4	36.5	2005280301	30
					30.4	34.4	35.5	2005280291	29
					29.4	33.4	34.5	2005280281	28
					28.4	32.4	33.5	2005280271	27
					27.4	31.4	32.5	2005280261	26
20.2	40.4	44	49.4	45.4	26.4	30.4	31.5	2005280251	25
					25.4	29.4	30.5	2005280241	24
					24.4	28.4	29.5	2005280231	23
					23.4	27.4	28.5	2005280221	22
					22.4	26.4	27.5	2005280211	21
					21.4	25.4	26.5	2005280201	20
					20.4	24.4	25.5	2005280191	19
					19.4	23.4	24.5	2005280181	18
					18.4	22.4	23.5	2005280171	17
					17.4	21.4	22.5	2005280161	16
14.2	28.4	32	37.4	33.4	16.4	20.4	21.5	2005280151	15
					15.4	19.4	20.5	2005280141	14
					14.4	18.4	19.5	2005280131	13
					13.4	17.4	18.5	2005280121	12
H	G	F	E	D	C	B	A	EMBOSSED PACKAGE	
								オーダー番号 ORDER No.	
								Ckt	

THIS DRAWING CONTAINS INFORMATION THAT IS PROPRIETARY TO MOLEX ELECTRONIC TECHNOLOGIES, LLC AND SHOULD NOT BE USED WITHOUT WRITTEN PERMISSION

DIMENSION UNITS	SCALE	CURRENT REV DESC:		<b>molex</b>		
mm	2:1					
GENERAL TOLERANCES (UNLESS SPECIFIED)		EC NO: 605694		1.0 FPC ZIF 2 CONT EMBT PKG		
ANGULAR TOL	± 3.0 °	DRWN: JASANUMA	2018/10/10	PRODUCT CUSTOMER DRAWING		
4 PLACES	± 0.2	CHK'D: TRSUZUKI	2018/10/11	DOCUMENT NUMBER		
3 PLACES	± 0.2	APPR: RTAKEUCHI	2018/10/11	2005280001-SD		
2 PLACES	± 0.2	INITIAL REVISION:		DOC TYPE	DOC PART	REVISION
1 PLACE	± 0.25	DRWN: JASANUMA		PSD	000	B
0 PLACES	± 0.3	APPR: RTAKEUCHI		SHEET NUMBER		
DRAFT WHERE APPLICABLE MUST REMAIN WITHIN DIMENSIONS		THIRD ANGLE PROJECTION	DRAWING	SERIES	MATERIAL NUMBER	CUSTOMER
			A3-SIZE	200528	SEE CHART	3 OF 3

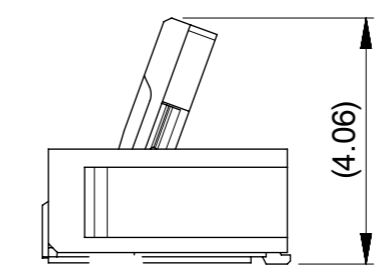
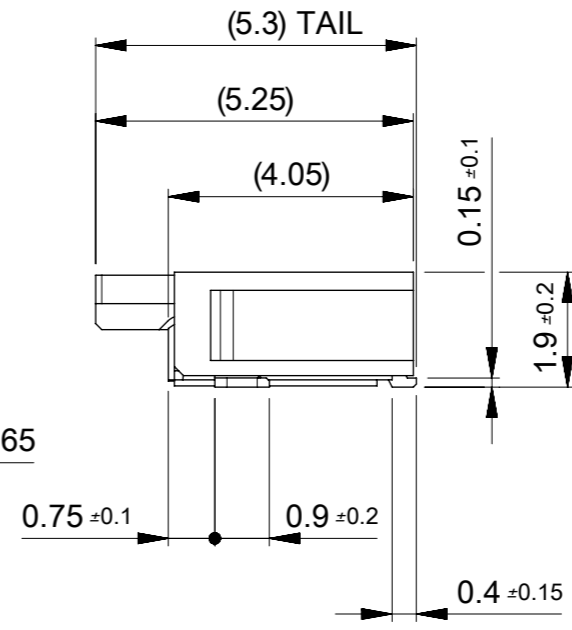
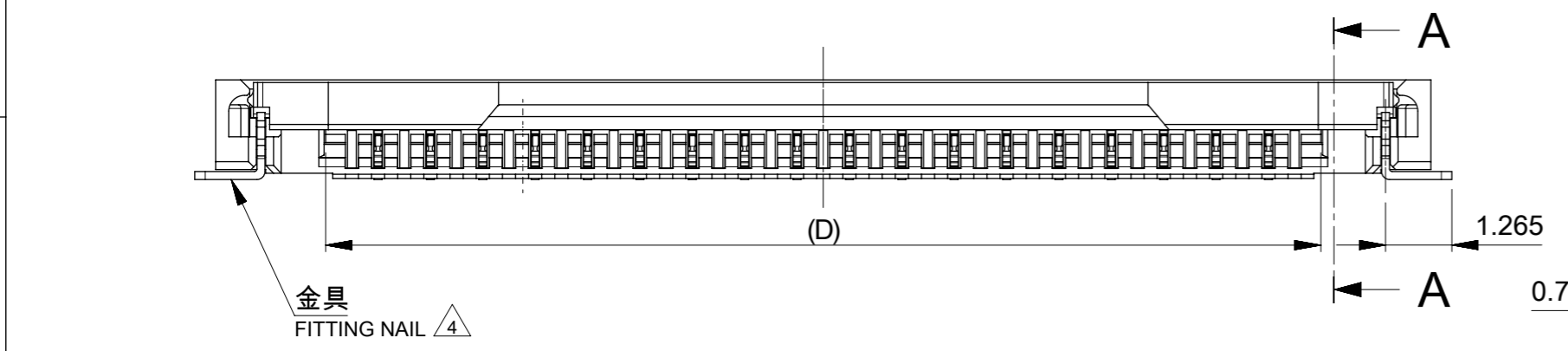
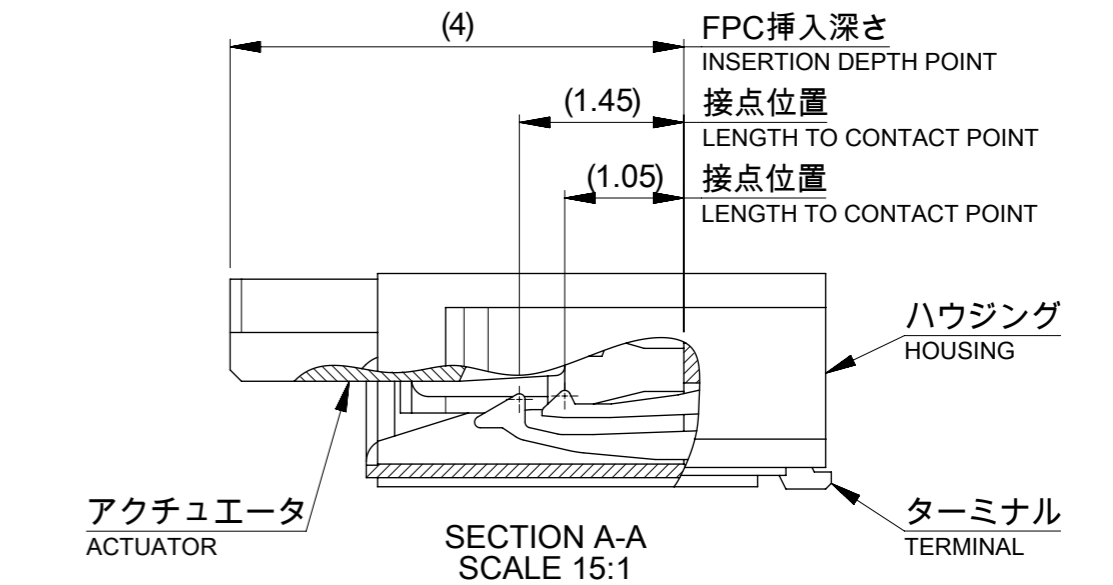
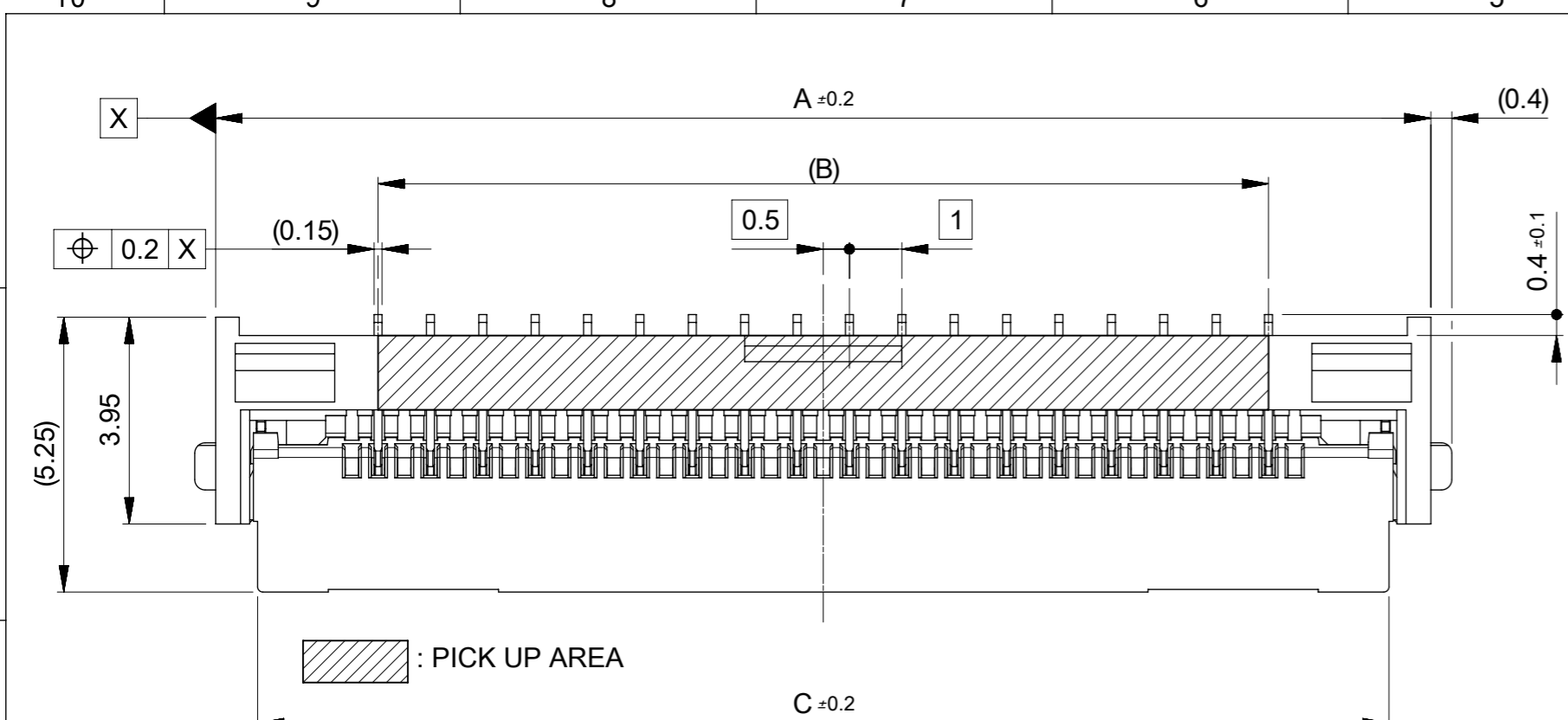


: PICK UP AREA



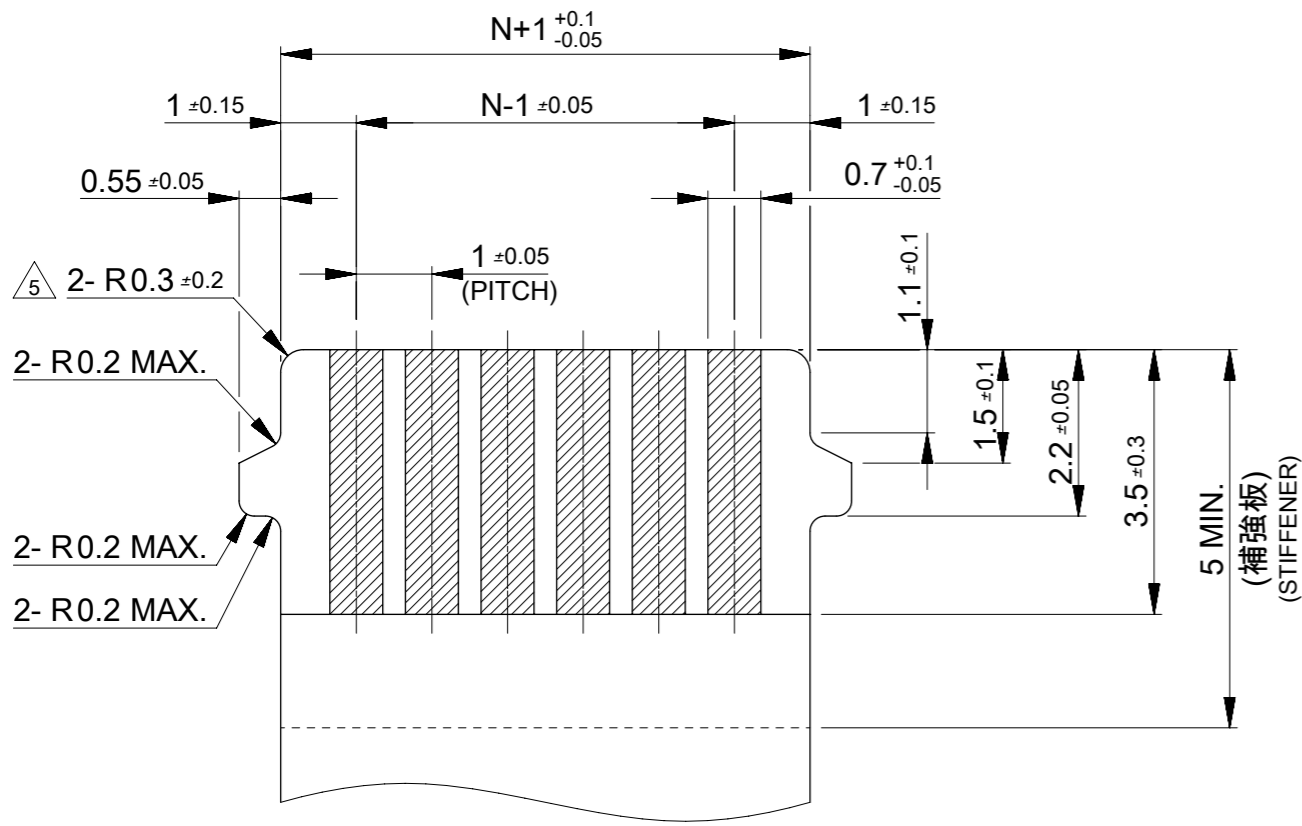
10.07	12.6	8	14.2	2005280091	9
9.07	11.6	7	13.2	2005280081	8
8.07	10.6	6	12.2	2005280071	7
7.07	9.6	5	11.2	2005280061	6
6.07	8.6	4	10.2	2005280051	5
5.07	7.6	3	9.2	2005280041	4
D	C	B	A	EMBOSSED PACKAGE	Ckt
				オーダー番号 ORDER No.	

<b>SYMBOLS</b> DIMENSION UNITS: mm SCALE: 8:1 GENERAL TOLERANCES (UNLESS SPECIFIED) ANGULAR TOL ± 3.0° 4 PLACES ± 0.2 3 PLACES ± 0.2 2 PLACES ± 0.2 1 PLACE ± 0.25 0 PLACES ± 0.3 DRAFT WHERE APPLICABLE MUST REMAIN WITHIN DIMENSIONS	THIS DRAWING CONTAINS INFORMATION THAT IS PROPRIETARY TO MOLEX ELECTRONIC TECHNOLOGIES, LLC AND SHOULD NOT BE USED WITHOUT WRITTEN PERMISSION		CURRENT REV DESC: EC NO: 620381 DRWN: JASANUMA 2019/07/10 CHK'D: YNAITO 2019/08/13 APPR: RTAKEUCHI 2019/08/13		 1.0 FPC ZIF 2 CONT HSG ASSY PRODUCT CUSTOMER DRAWING		
	INITIAL REVISION: DRWN: JASANUMA 2018/10/05 APPR: RTAKEUCHI 2018/10/10		DOCUMENT NUMBER: 2005281001-SD	DOC TYPE: PSD		DOC PART: 000	REVISION: C
	THIRD ANGLE PROJECTION	DRAWING: A3-SIZE	SERIES: 200528	MATERIAL NUMBER:		CUSTOMER:	SHEET NUMBER: 1 OF 4
	CONNECTOR SERIES No. 2005281**1						

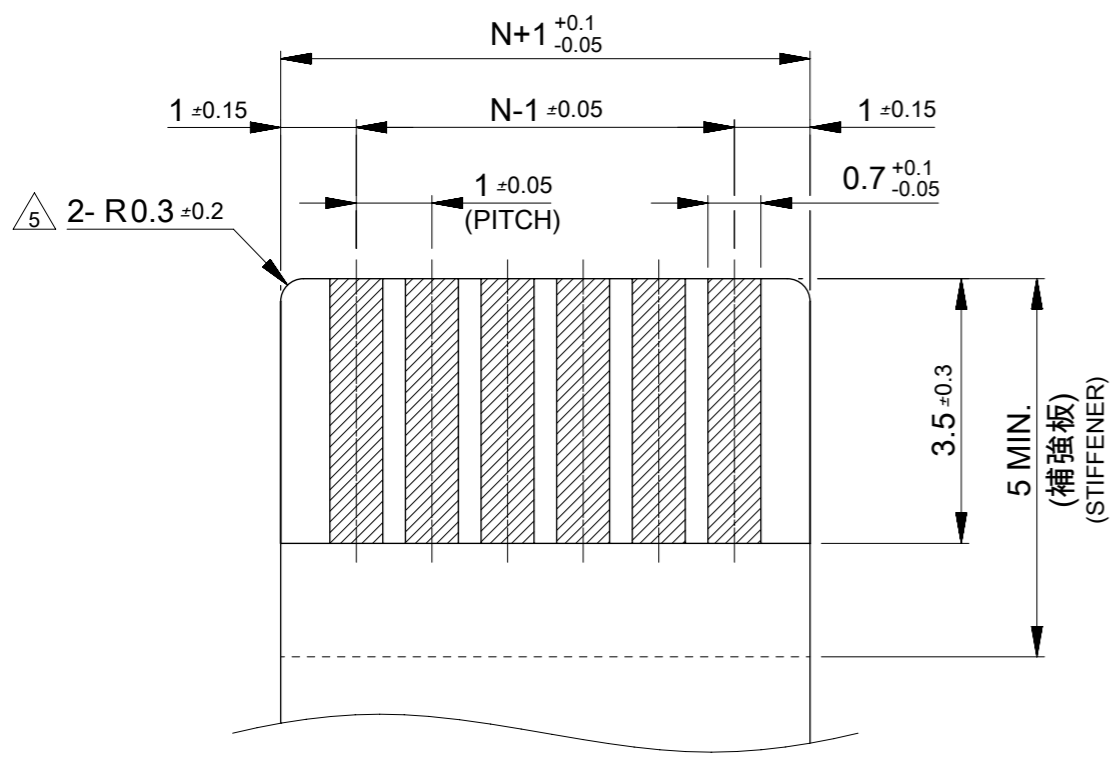


31	33.6	29	35.2	2005280301	30
30	32.6	28	34.2	2005280291	29
29	31.6	27	33.2	2005280281	28
28	30.6	26	32.2	2005280271	27
27	29.6	25	31.2	2005280261	26
26	28.6	24	30.2	2005280251	25
25	27.6	23	29.2	2005280241	24
24	26.6	22	28.2	2005280231	23
23	25.6	21	27.2	2005280221	22
22	24.6	20	26.2	2005280211	21
21	23.6	19	25.2	2005280201	20
20	22.6	18	24.2	2005280191	19
19	21.6	17	23.2	2005280181	18
18	20.6	16	22.2	2005280171	17
17	19.6	15	21.2	2005280161	16
16	18.6	14	20.2	2005280151	15
15	17.6	13	19.2	2005280141	14
14	16.6	12	18.2	2005280131	13
13	15.6	11	17.2	2005280121	12
12	14.6	10	16.2	2005280111	11
11	13.6	9	15.2	2005280101	10
D	C	B	A	EMBOSSED PACKAGE	Ckt
				オーダー番号 ORDER No.	

<b>SYMBOLS</b> = 0 = 0 = 0 = 0 = 0 = 0 = 0 = 0 = 0 = 0	THIS DRAWING CONTAINS INFORMATION THAT IS PROPRIETARY TO MOLEX ELECTRONIC TECHNOLOGIES, LLC AND SHOULD NOT BE USED WITHOUT WRITTEN PERMISSION DIMENSION UNITS: <b>mm</b> SCALE: <b>8:1</b> GENERAL TOLERANCES (UNLESS SPECIFIED) ANGULAR TOL ± 3.0° 4 PLACES ± 0.2 3 PLACES ± 0.2 2 PLACES ± 0.2 1 PLACE ± 0.25 0 PLACES ± 0.3 DRAFT WHERE APPLICABLE MUST REMAIN WITHIN DIMENSIONS	CURRENT REV DESC: EC NO: 620381 DRWN: JASANUMA 2019/07/10 CHK'D: YNAITO 2019/08/13 APPR: RTAKEUCHI 2019/08/13 INITIAL REVISION: DRWN: JASANUMA 2018/10/05 APPR: RTAKEUCHI 2018/10/10 THIRD ANGLE PROJECTION 	 1.0 FPC ZIF 2 CONT HSG ASSY PRODUCT CUSTOMER DRAWING DOCUMENT NUMBER: <b>2005281001-SD</b> DOC TYPE: PSD DOC PART: 000 REVISION: C MATERIAL NUMBER: _____ CUSTOMER: _____ SHEET NUMBER: 2 OF 4
	DIMENSION UNITS: <b>mm</b> SCALE: <b>8:1</b> GENERAL TOLERANCES (UNLESS SPECIFIED) ANGULAR TOL ± 3.0° 4 PLACES ± 0.2 3 PLACES ± 0.2 2 PLACES ± 0.2 1 PLACE ± 0.25 0 PLACES ± 0.3 DRAFT WHERE APPLICABLE MUST REMAIN WITHIN DIMENSIONS	CURRENT REV DESC: EC NO: 620381 DRWN: JASANUMA 2019/07/10 CHK'D: YNAITO 2019/08/13 APPR: RTAKEUCHI 2019/08/13 INITIAL REVISION: DRWN: JASANUMA 2018/10/05 APPR: RTAKEUCHI 2018/10/10 THIRD ANGLE PROJECTION 	 1.0 FPC ZIF 2 CONT HSG ASSY PRODUCT CUSTOMER DRAWING DOCUMENT NUMBER: <b>2005281001-SD</b> DOC TYPE: PSD DOC PART: 000 REVISION: C MATERIAL NUMBER: _____ CUSTOMER: _____ SHEET NUMBER: 2 OF 4
	DIMENSION UNITS: <b>mm</b> SCALE: <b>8:1</b> GENERAL TOLERANCES (UNLESS SPECIFIED) ANGULAR TOL ± 3.0° 4 PLACES ± 0.2 3 PLACES ± 0.2 2 PLACES ± 0.2 1 PLACE ± 0.25 0 PLACES ± 0.3 DRAFT WHERE APPLICABLE MUST REMAIN WITHIN DIMENSIONS	CURRENT REV DESC: EC NO: 620381 DRWN: JASANUMA 2019/07/10 CHK'D: YNAITO 2019/08/13 APPR: RTAKEUCHI 2019/08/13 INITIAL REVISION: DRWN: JASANUMA 2018/10/05 APPR: RTAKEUCHI 2018/10/10 THIRD ANGLE PROJECTION 	 1.0 FPC ZIF 2 CONT HSG ASSY PRODUCT CUSTOMER DRAWING DOCUMENT NUMBER: <b>2005281001-SD</b> DOC TYPE: PSD DOC PART: 000 REVISION: C MATERIAL NUMBER: _____ CUSTOMER: _____ SHEET NUMBER: 2 OF 4
	DIMENSION UNITS: <b>mm</b> SCALE: <b>8:1</b> GENERAL TOLERANCES (UNLESS SPECIFIED) ANGULAR TOL ± 3.0° 4 PLACES ± 0.2 3 PLACES ± 0.2 2 PLACES ± 0.2 1 PLACE ± 0.25 0 PLACES ± 0.3 DRAFT WHERE APPLICABLE MUST REMAIN WITHIN DIMENSIONS	CURRENT REV DESC: EC NO: 620381 DRWN: JASANUMA 2019/07/10 CHK'D: YNAITO 2019/08/13 APPR: RTAKEUCHI 2019/08/13 INITIAL REVISION: DRWN: JASANUMA 2018/10/05 APPR: RTAKEUCHI 2018/10/10 THIRD ANGLE PROJECTION 	 1.0 FPC ZIF 2 CONT HSG ASSY PRODUCT CUSTOMER DRAWING DOCUMENT NUMBER: <b>2005281001-SD</b> DOC TYPE: PSD DOC PART: 000 REVISION: C MATERIAL NUMBER: _____ CUSTOMER: _____ SHEET NUMBER: 2 OF 4

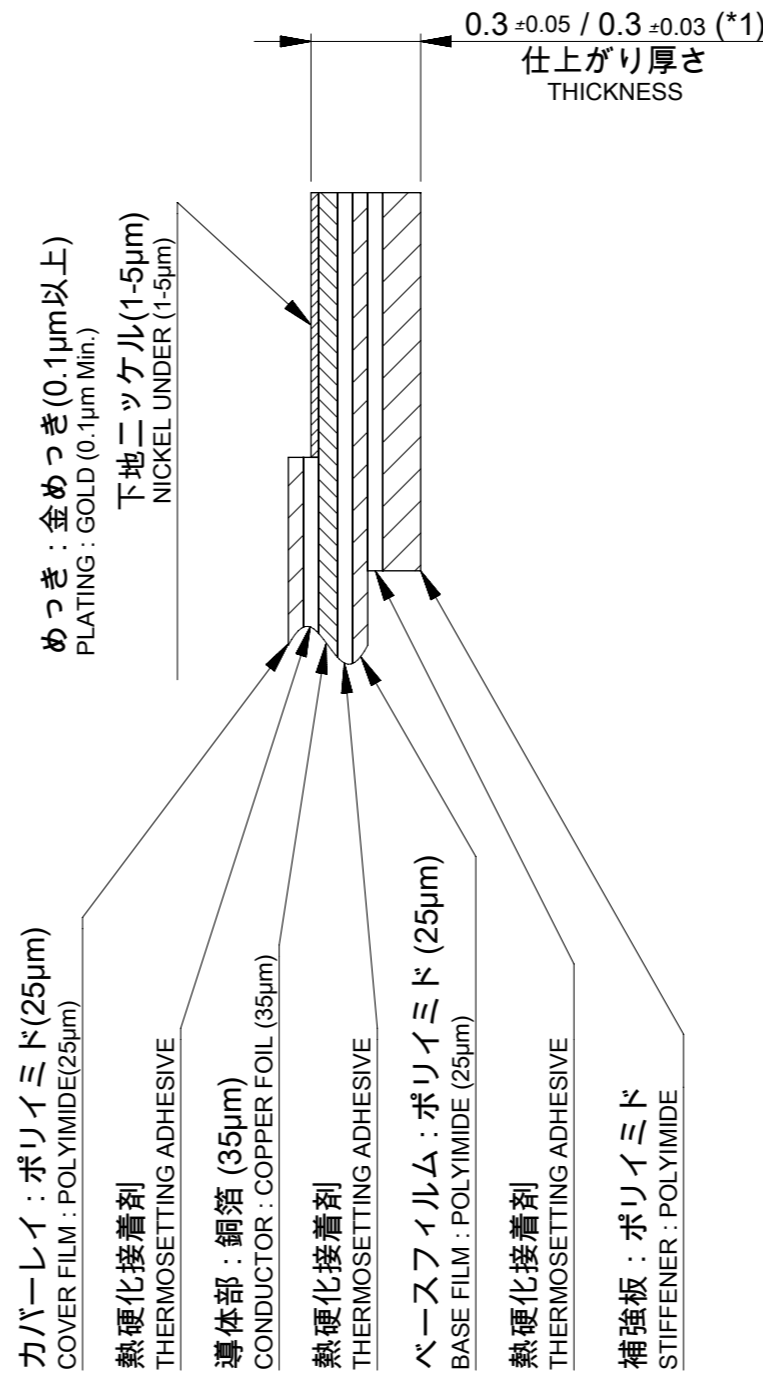


適合FPC/FFC推奨寸法  
APPLICABLE FPC/FFC RECOMMENDED DIMENSION

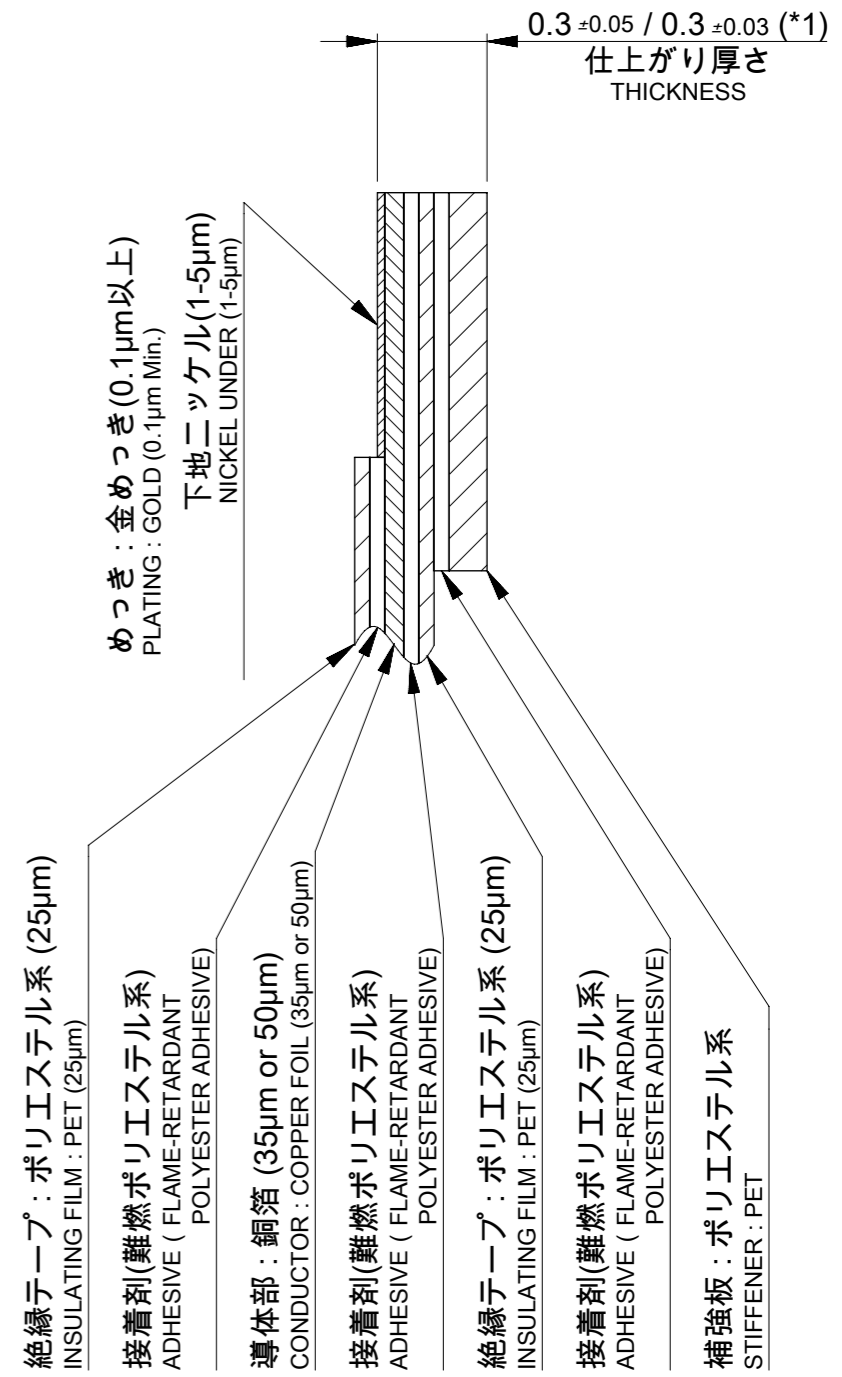


適合FPC/FFC推奨寸法  
APPLICABLE FPC/FFC RECOMMENDED DIMENSION

\*1: 125°Cを超える環境下で使用する場合に適用。  
Apply when use in over 125 deg.C environment.

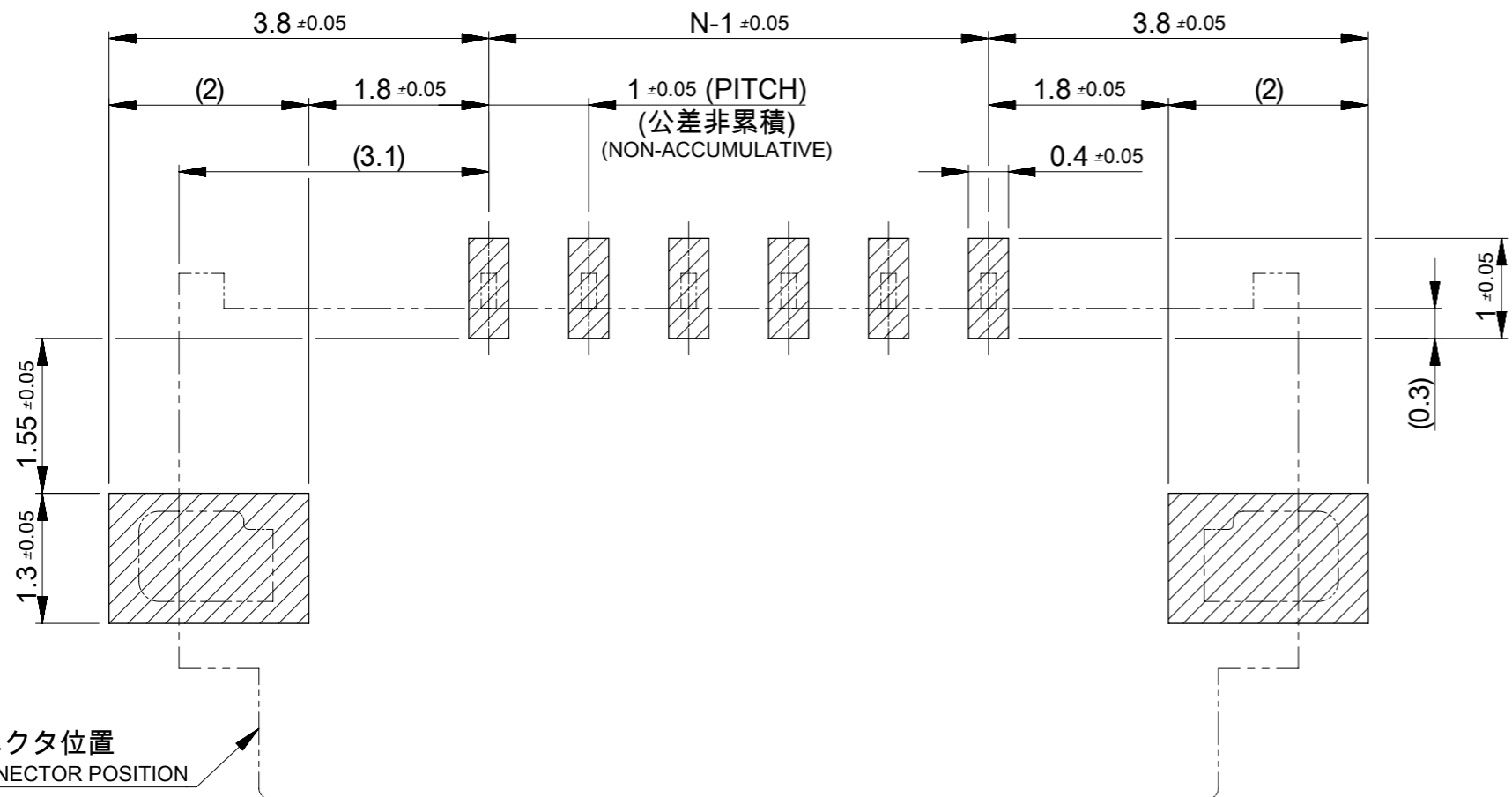


FPC構成推奨仕様  
STRUCTURE OF FPC



FFC構成推奨仕様  
STRUCTURE OF FFC

SYMBOLS	THIS DRAWING CONTAINS INFORMATION THAT IS PROPRIETARY TO MOLEX ELECTRONIC TECHNOLOGIES, LLC AND SHOULD NOT BE USED WITHOUT WRITTEN PERMISSION		CURRENT REV DESC:		<b>molex</b>
	DIMENSION UNITS	SCALE			
▽ = 0	mm	10:1			1.0 FPC ZIF 2 CONT HSG ASSY
▽ = 0	GENERAL TOLERANCES (UNLESS SPECIFIED)				
▽ = 0	ANGULAR TOL ± 3.0°				
▽ = 0	4 PLACES	± 0.2	EC NO: 620381	2019/07/10	
▽ = 0	3 PLACES	± 0.2	DRWN: JASANUMA	2019/08/13	
▽ = 0	2 PLACES	± 0.2	CHK'D: YNAITO	2019/08/13	
▽ = 0	1 PLACE	± 0.25	APPR: RTAKEUCHI	2019/08/13	
▽ = 0	0 PLACES	± 0.3	INITIAL REVISION:		
▽ = 0	DRAFT WHERE APPLICABLE MUST REMAIN WITHIN DIMENSIONS		DRWN: JASANUMA	2018/10/05	
	THIRD ANGLE PROJECTION		APPR: RTAKEUCHI	2018/10/10	
	DRAWING		SERIES		DOCUMENT NUMBER
	A3-SIZE		200528		2005281001-SD
	MATERIAL NUMBER		CUSTOMER		DOC TYPE
					PSD
					DOC PART
					000
					REVISION
					C
					SHEET NUMBER
					3 OF 4



推奨基板レイアウト  
RECOMMENDED P.W.B PATTERN LAYOUT

参考マスク厚 : 100µm  
REFERENCE SCREEN THICKNESS : 100µm  
参考マスク開口率 : 100%  
REFERENCE SCREEN OPEN RATIO : 100%

FPC/FFCについて ABOUT FPC/FFC

打ち抜き方向は導体側から補強板側を推奨します。  
導体部については軟箔銅35µmまたは50µmを推奨します。  
FFCに規定された定格温度がFFC単体前提である場合が御座います。  
コネクタと組み合わせた実使用において、接着層が劣化するなどの信頼性を満足できないケースを回避するため、  
実機での評価/確認をお願いいたします。  
RECOMMENDED PUNCHING DIRECTION : FROM CONDUCTOR SIDE TO STIFFENER SIDE  
RECOMMENDED CONDUCTOR SPEC : SOFT COPPER FOIL  
RECOMMENDED CONDUCTOR THICKNESS : 35 MICROMETER OR 50 MICROMETER  
NOTE : WHEN ACTUALLY USING IT WITH CONNECTOR, PLEASE DO THE EVALUATION AND THE CONFIRMATION WITH AN ACTUAL EQUIPMENT TO EVADE THE CASE WHERE RELIABILITY CANNOT BE FILLED (THE ADHESIVE LINE OF FFC IS DETERIORATED ETC.)

FPCについて ABOUT FPC

補強フィルム材質はポリイミドを推奨します。ベースフィルムは25µmを推奨します。  
接着剤は熱硬化接着剤を推奨します。  
尚、接着剤の接点部への付着は導通不良の原因になりますので、染み出しが無い様お願い致します。  
RECOMMENDED STIFFENER MATERIAL : POLYIMIDE  
RECOMMENDED BASE FILM THICKNESS : 25 MICROMETER  
RECOMMENDED ADHESIVE : THERMOSETTING ADHESIVE  
NOTE : PLEASE PUT APPROPRIATE AMOUNT OF ADHESIVE ON ADHEREND BECAUSE THERE IS A POSSIBILITY THAT THE EXTRA ADHESIVE CAUSES THE DEFECT IN ELECTRICAL CONTINUITY.

注記 NOTES

1. 使用材料 MATERIAL

ハウジング : 液晶ポリマー ガラス充填、UL94V-0 (ベージュ)  
HOUSING : LIQUID CRYSTAL POLYMER GLASS FILLED, UL94V-0 (BEIGE)  
アクチュエータ : ポリアミド ガラス充填、UL94V-0 (黒)  
ACTUATOR : POLYAMIDE GLASS FILLED, UL94V-0 (BLACK)  
ターミナル : 銅合金 (t=0.15)  
TERMINAL : COPPER ALLOY  
金具 : リン青銅 (t=0.15)  
FITTING NAIL : PHOSPHOR BRONZE

2. めっき仕様 PLATING

ターミナル TERMINAL  
コンタクト部 : 部分金めっき (0.05µm以上)  
CONTACT AREA : SEPARATED GOLD PLATING (0.05µm MINIMUM)  
テール部 : 部分金めっき  
SOLDER TAIL AREA : SEPARATED GOLD PLATING  
下地:ニッケルめっき (1.0µm以上)  
UNDERPLATE : NICKEL OVERALL (1.0µm MINIMUM)  
金具 FITTING NAIL  
錫めっき (1.0µm以上)  
TIN PLATING (1.0µm MINIMUM)  
下地:ニッケルめっき (1.0µm以上)  
UNDER PLATING : NICKEL PLATING (1.0µm MINIMUM)

3. エンボステープ梱包時は、アクチュエータが閉じた状態とする。  
IN THE PACKAGE, ACTUATOR OF PART SHOULD BE CLOSED.

△4 パターン剥離止め用金具  
FITTING NAIL FOR PREVENTING PEELING OF P.W.B. PATTERN.

△5 R0.3はFPC/FFC導体部にかからないこと。  
R0.3 MUST NOT BE OVERLAPPED TO PATTERN OF FPC/FFC.

6. N : 極数 N : CIRCUIT

7. テールと金具を併せた平坦度は0.1mm以下とする。  
TAILS AND NAILS COPLANALITY TO BE 0.1mm MAXIMUM.

SYMBOLS	THIS DRAWING CONTAINS INFORMATION THAT IS PROPRIETARY TO MOLEX ELECTRONIC TECHNOLOGIES, LLC AND SHOULD NOT BE USED WITHOUT WRITTEN PERMISSION		CURRENT REV DESC:				
	mm	SCALE 15:1					
▽ = 0	GENERAL TOLERANCES (UNLESS SPECIFIED)		EC NO: 620381		1.0 FPC ZIF 2 CONT HSG ASSY		
▽ = 0	ANGULAR TOL ± 3.0°		DRWN: JASANUMA 2019/07/10				
▽ = 0	4 PLACES ± 0.2		CHK'D: YNAITO 2019/08/13		PRODUCT CUSTOMER DRAWING		
▽ = 0	3 PLACES ± 0.2		APPR: RTAKEUCHI 2019/08/13				
▽ = 0	2 PLACES ± 0.2		INITIAL REVISION:		DOCUMENT NUMBER		
▽ = 0	1 PLACE ± 0.25		DRWN: JASANUMA 2018/10/05				
▽ = 0	0 PLACES ± 0.3		APPR: RTAKEUCHI 2018/10/10		DOC TYPE DOC PART REVISION		
■ = 0	DRAFT WHERE APPLICABLE MUST REMAIN WITHIN DIMENSIONS		THIRD ANGLE PROJECTION				
▽ = 0			DRAWING A3-SIZE		SHEET NUMBER		
		SERIES 200528		4 OF 4			